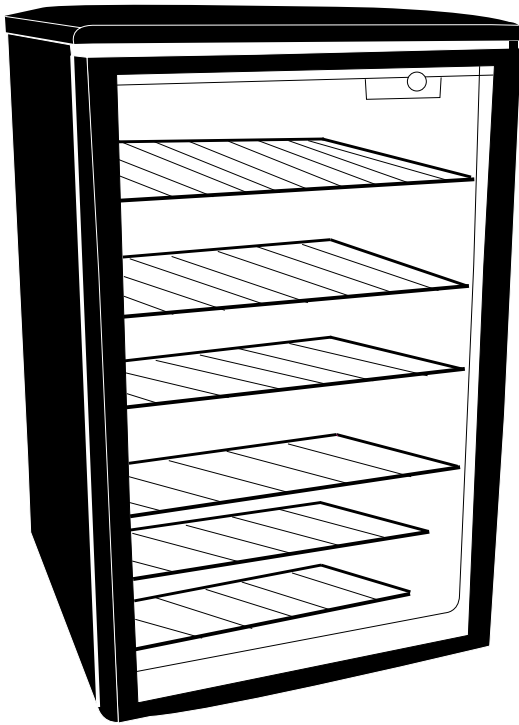


Wine & Beverage Center

Centre de Vin et des Boissons

Centro de Vino y Bebidas



User Manual

Model #HBCN05EBB, HBCND05EB, HBCN05FVS, ZHBCN05FVS

Guide de l'Utilisateur

Modèle #HBCN05EBB, HBCND05EB, HBCN05FVS, ZHBCN05FVS

Manual del Usuario

Para Modelo de #HBCN05EBB, HBCND05EB, HBCN05FVS, ZHBCN05FVS

IMPORTANT SAFEGUARDS

When using this appliance, always exercise basic safety precautions, including the following:

- 1) Read all of the instructions before using this appliance.
- 2) Use this appliance only for its intended purpose as described in this use and care guide.
- 3) This entertainment center must be properly installed in accordance with the installation instructions before it is used. See grounding instructions in the installation section.
- 4) Never unplug your entertainment center by pulling on the power cord. Always grasp the plug firmly and pull straight out from the outlet.
- 5) Repair or replace immediately, all electric service cords that have become frayed or otherwise damaged. Do not use a cord that shows cracks or abrasion damage along its length, the plug or the connector end.
- 6) Unplug your entertainment center before cleaning or before making any repairs. Note: If for any reason this product requires service, we strongly recommend that a certified technician performs the service.
- 7) If your old entertainment center is not being used, we recommend that you remove the doors and leave the shelves in place. This will reduce the possibility of danger to children.
- 8) This entertainment center should not be recessed or built-in in an enclosed cabinet. It is designed for freestanding installation only.
- 9) Do not operate your entertainment center in the presence of explosive fumes.
- 10) Your entertainment center was NOT designed to store perishable foods. Store only bottled or canned beverages.

SAVE THESE INSTRUCTIONS

DANGER

Risk of child entrapment. Before you throw away your old appliance, take off the doors. Leave the shelves in place so that children may not easily climb inside.

Table Of Contents

	PAGE
IMPORTANT SAFEGUARDS	1
PARTS AND FEATURES	3
INSTALLING YOUR ENTERTAINMENT CENTER	4-5
Unpacking your Entertainment Center	4
Leveling your Entertainment Center	4
Proper Air Circulation	4
Electrical Requirements	4
Use of Extension Cords	4
Installation Limitations	5
Door Reversal	5
ENTERTAINMENT CENTER FEATURES AND USE	6
General Features	6
Adjustable Temperature Dial	6
Entertainment Center Interior Shelves	6
Using the lock	6
PROPER ENTERTAINMENT CENTER CARE AND CLEANING	7
Cleaning and Maintenance	7
Defrosting	7
Power Interruptions	7
Vacation & Moving Care	7
Normal Operating Sounds	8
TROUBLESHOOTING	8
WARRANTY	9

Thank you for using our Haier product. This easy-to-use manual will guide you in getting the best use of your entertainment center.

Remember to record the model and serial number. They are on a label in back of the entertainment center.

Model number

Serial number

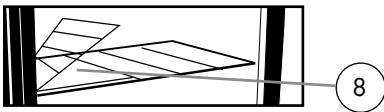
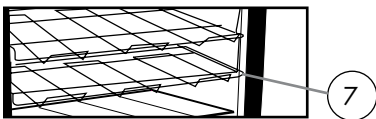
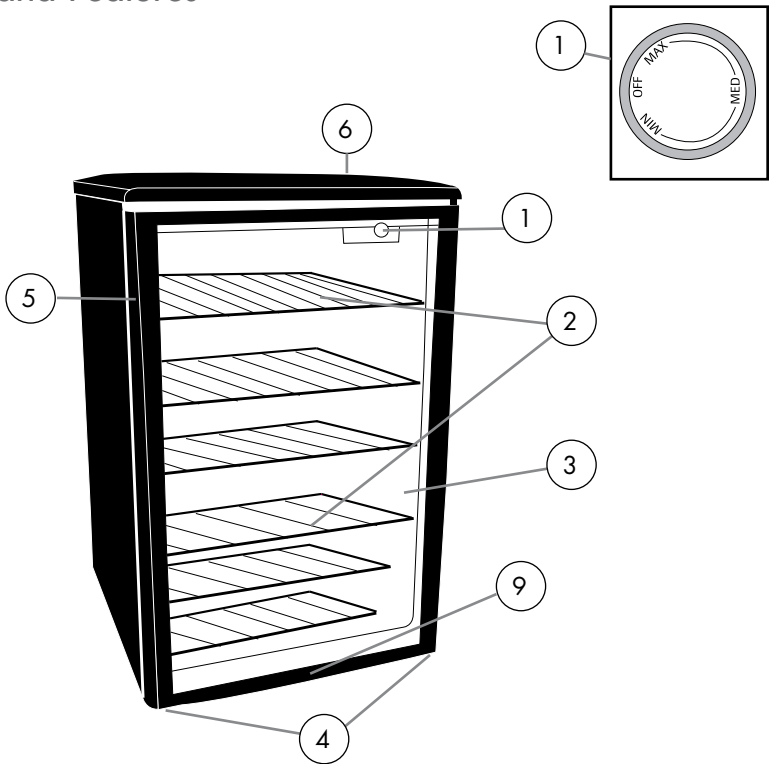
Date of purchase

Staple your receipt to your manual.

You will need it to obtain warranty service.

Knowing Your Entertainment Center

Parts and Features



- | | |
|--|---|
| 1. Thermostat Dial
(location varies by model) | 5. Recessed Door Handle |
| 2. Coated Storage Shelves (style and quantity vary by model) | 6. Work Top (Not on all models) |
| 3. See-through Glass Door | 7. Dual Dispense Can Storage
(On HBCND05EB only) |
| 4. Leveling Legs | 8. Flip Shelf (Not on all models) |
| | 9. Lock with Key (Not on all models) |

Installing Your Entertainment Center

Unpacking your Entertainment Center

1. Remove all packaging material. This includes the base and all adhesive tape holding the entertainment center accessories inside and outside.
2. Inspect and remove any remains of packing, tape or printed materials before powering on the entertainment center.

Leveling your Entertainment Center

- Your entertainment center has 2 leveling legs which are located at the bottom front corners of your entertainment center. After properly placing your entertainment center in its final position, you can level your entertainment center.
- Leveling legs can be adjusted by turning them counterclockwise to raise your entertainment center or by turning them clockwise to lower your entertainment center. The entertainment center door will close easier when the leveling legs are extended.

Proper Air Circulation

- To ensure that your entertainment center works at the maximum efficiency it was designed for, you should install it in a location where there is proper air circulation and electrical connections.
- The following are recommended clearances around the entertainment center:

Sides.....3/4 "(19mm)
Top.....2" (50mm)
Back.....2" (50mm)

Electrical Requirement

- Make sure there is a suitable power Outlet (115 volts, 15 amps outlet) with proper grounding to power the entertainment center.
- Avoid the use of three plug adapters or cutting off the third grounding in order to accommodate a two plug outlet. This is a dangerous practice since it provides no effective grounding for the entertainment center and may result in shock hazard.

Use of Extension Cords

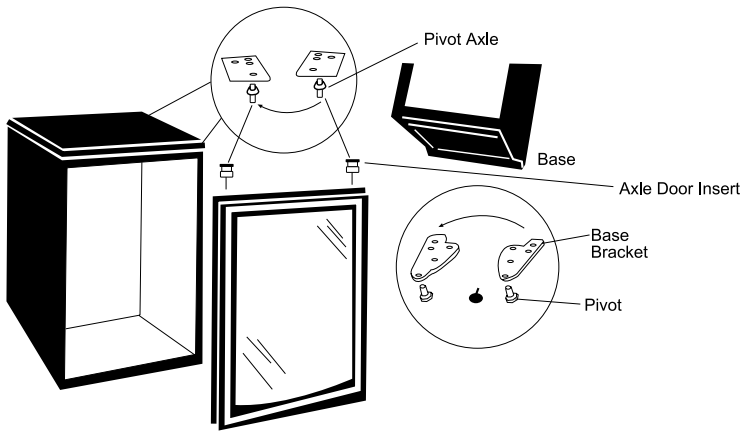
- Avoid the use of an extension cord because of potential safety hazards under certain conditions. If it is necessary to use an extension cord, use only a 3-wire extension cord that has a 3-blade grounding plug and a 3-slot outlet that will accept the plug. The marked rating of the extension cord must be equal to or greater than the electrical rating of the appliance.

Installation Limitations

- Do not install your entertainment center in any location not properly insulated or heated e.g. garage etc. Your entertainment center was not designed to operate in temperature settings below 55° Fahrenheit.
- Select a suitable location for the entertainment center on a hard, even surface away from direct sunlight or heat source, e.g. radiators, baseboard heaters, cooking appliances etc. Any floor unevenness should be corrected with the leveling legs located at the bottom.

Door Reversal Instructions

(HBCN05EBB, HBCND05EB, HBCN05FVS, ZHBCN05FVS)



Your entertainment center is built with a reversible door. You have the choice of either opening it from the left or the right side. In order to reverse the opening direction of your door, please follow these simple instructions. Tilt the entertainment center backwards. Secure the rear from sliding. Tape the door to the cabinet to prevent from falling.

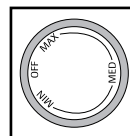
1. Remove the 3 hexagonal screws from base bracket.
2. Remove the pivot holding the bottom of the door.
3. Separate the door from the cabinet and remove the pivot axle from the upper side of the door. Remove and reinstall upper and lower axle door inserts to opposite side.
4. Install the pivot axle to the opposite side.
5. Re-attach the door to the cabinet and secure with tape.
6. Attach the base bracket to the opposite side
7. Install the bottom pivot aligning with the lower pivot insert on the door. Attach the 3 hexagonal screws to base bracket.
8. Remove tape.
9. As the unit was tilted, wait 24 hours before plugging it in.

Entertainment Center Features & Use

General Features

Adjustable Temperature Dial:

(location varies per model)



Your entertainment center will automatically maintain the temperature level you select. The temperature control dial has 3 settings plus off. MIN is the warmest. MAX is the coldest. Turning the dial to OFF stops cooling in the entertainment center. At first, set the dial to MED and allow 24 hours to pass before adjusting the temperature to your needs.

1. Located on the rear near bottom for model HBCN02EBB.
2. Located on the interior of the unit on right side for model HBCN05EBB, HBCND05EB, HBCN05FVS, ZHBCN05FVS

(Note: If the entertainment center has been placed in a horizontal or tilted position for any period of time wait 24 hours before plugging the unit in.)

UNDER NORMAL OPERATING CONDITIONS THE TEMPERATURE OF YOUR BEVERAGE CENTER WILL FLUCTUATE BASED ON A NUMBER OF FACTORS INCLUDING; DOOR OPENINGS, AMBIENT ROOM TEMPERATURE, PRODUCT LOAD AND HUMIDITY.

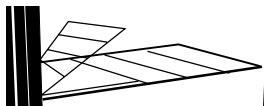
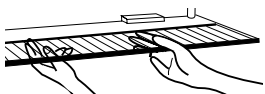
THE TEMPERATURE WILL ALWAYS BE COOL TOWARD THE TOP OF THE UNIT AND COOLEST TOWARD THE BOTTOM.

Entertainment Center Interior Shelves

(Shelves will vary per model purchased)

To remove or replace a full-width slide-out shelf:

1. Gently tilt the shelf up and slide forward until the shelf has been completely removed.
2. To replace the shelf, gently slide the shelf back.
3. Dual Dispense Can Rack (HBCND05EB Only)
For easy access to cans.
4. Flip rack (Not on all models)
To help store tall and big size bottles only.



Using the Lock (not on all models)

- Your entertainment center is equipped with a lock and key (located at the bottom center of the door) for optional security, should you choose. Simply close the refrigerator door, insert the key and turn. To open, insert the key and turn in the opposite direction.

Proper Entertainment Center Care & Cleaning

Cleaning and Maintenance

Warning: To avoid electric shock, always unplug your entertainment center before cleaning. Ignoring this warning may result in death or injury.

Caution: Before using cleaning products, always read and follow manufacturer's instructions and warnings to avoid personal injury or product damage.

General:

- Prepare a cleaning solution of 3-4 tablespoons of baking soda mixed with warm water. Use sponge or soft cloth, dampened with the cleaning solution, to wipe down your entertainment center.
- Rinse with clean warm water and dry with a soft cloth.
- Do not use harsh chemicals, abrasives, ammonia, chlorine bleach, concentrated detergents, solvents or metal scouring pads. Some of these chemicals may dissolve, damage and/or discolor your entertainment center.

Door Gaskets:

- Clean door gaskets every three months according to general instructions. Gaskets must be kept clean and pliable to assure a proper seal.
- Petroleum jelly applied lightly on the hinge side of gaskets will keep the gasket pliable and ensure a good seal.

Defrosting Your Entertainment Center

Your entertainment center is designed with a manual defrost system. The entertainment center surfaces will defrost, when the temperature control is turned to 'Off'. Water from the unit is disposed of automatically, by means of being channeled onto a drip tray located on the compressor. Heat transfer from the compressor causes this water to evaporate.

Power Interruptions

- Occasionally there may be power interruptions due to thunderstorms or other causes. Remove the power cord from AC outlet when a power outage occurs. When power has been restored, replug power cord to AC outlet.

Vacation and Moving Care

- For long vacations or absences, empty contents from entertainment center, move the temperature DIAL to the OFF position and clean the entertainment center and door gaskets according to "General cleaning" section. Prop doors open, so air can circulate inside. When moving, always move the entertainment center vertically. Do not move with the unit lying down. Possible damage to the sealed system could occur.

Normal Operating Sounds You May Hear

- Boiling water, gurgling sounds or slight vibrations that are the result of the refrigerant circulating through the cooling coils.
- The thermostat control will click when it cycles on and off.

Troubleshooting

Entertainment Center Does Not Operate

- Check if thermostat control is not in the "OFF" position.
- Check if entertainment center is plugged in.
- Check if there is power at the ac outlet, by checking the circuit breaker.

Temperature appears too warm

- Frequent door openings.
- Allow time for recently added beverages to reach proper temperature.
- Check gaskets for proper seal.
- Adjust temperature control to cooler setting.

Temperature is too cold

- If temperature control setting is too cold, adjust to a warmer setting and allow several hours for temperature to adjust.

Entertainment Center runs too frequently

- This may be normal to maintain constant temperature during high temperature and humid days.
- Doors may have been opened frequently or for an extended period of time.
- Check gasket for proper seal.
- Check to see if doors are completely closed.

Moisture build up on interior or exterior of the entertainment center

- This is normal during high humidity periods.
- Prolonged or frequent door openings.
- Check door gaskets for proper seal.

Entertainment Center door does not shut properly

- Level the entertainment center.
- Check for blockages.

Limited Warranty

Covered by Haier America

What is covered and for how long?

This warranty covers all defects in workmanship or materials for a period of:

12 months for labor

12 months for parts (Functional Parts Only)

Carry In

The warranty commences on the date of item purchase. Customer shall provide Haier with proof of the date of purchase, brand, model and serial number for verification prior to any warranty service being provided.

EXCEPTIONS: Commercial or Rental Use warranty 90 days for labor 90 days for parts No other warranty applies

What is covered/Not covered?

1. The mechanical and electrical parts of the appliance which serve the functional purpose of this appliance are covered for a period of 12 months. This includes all parts except finish and trim.
2. The limited warranty does not cover any credit or refund for any loss or injury caused by the product or defects to the product including but not limited to incidental or consequential damages.

What will be done?

1. Any mechanical or electrical part that proves to be defective in normal usage during the specified warranty period will be repaired or replaced at Haier's discretion.

A&E factory service is the authorized service provider for Haier.

If it is determined that repair is not appropriate or replacement part is unavailable for repair, Haier will exchange the product with a refurbished or new product the same or similar to the original at its discretion.

2. There will be no charge to the purchaser for functional replacement parts and labor on any covered items during the initial 12- month period.
3. To have your product serviced, contact Haier customer service 1-877-337-3639.

THIS WARRANTY COVERS APPLIANCES WITHIN THE CONTINENTAL UNITED STATES, PUERTO RICO AND CANADA. IT DOES NOT COVER THE FOLLOWING:

- Damages from improper installation
- Damages incurred during shipping.
- Defects other than manufacturing.
- Damage from misuse, abuse, accident, alteration, lack of proper care and maintenance or incorrect current or voltage.
- Damage from other than household use.
- Damage from service by other than an authorized dealer or service center.
- Decorative trims or replaceable light bulbs.
- Transportation and shipping.
- Labor (after the initial 12 months).
- Credit or Refund for products over 30 days past date of purchase.
- Food loss for food spoiled as a direct result of mechanical failure of the product or of any delay in providing service, repair, replacement.
- This limited warranty doesn't apply to refurbished product or unit purchased as/like new or second-hand.

THIS LIMITED WARRANTY IS GIVEN IN LIEU OF ALL OTHER WARRANTIES, EXPRESSED OR INCLUDING THE WARRANTIES OF MERCHANTABILITY AND FITNESS FOR A PARTICULAR PURPOSE

The remedy provided in this warranty is exclusive and is granted in lieu of all other remedies.

This warranty does not cover incidental or consequential damages, so the above limitations may not apply to you. Some states do not allow limitations on how long an implied warranty lasts, so the above limitations may not apply to you.

This warranty gives you specific legal rights, and you may have other rights which vary from state to state.

Haier America
New York, NY 10018

CENTRE DE DIVERTISSEMENT

Lorsque vous utilisez cet appareil, veuillez respecter les consignes de sécurité de base y compris les suivantes:

- 1) Lisez toutes les instructions suivantes avant d'utiliser cet appareil.
- 2) Utilisez cet appareil juste pour l'usage auquel il est destiné comme indiqué dans ce manuel d'entretien et d'usage.
- 3) Ce centre de divertissement doit être installé proprement et conformément aux instructions d'installation avant d'être utilisé. Voir les instructions de mise à terre dans la section d'installation.
- 4) Ne débranchez jamais votre centre de divertissement en tirant sur la corde d'alimentation. Saisissez la fiche fermement et tirez-la vers le dehors.
- 5) Réparez ou remplacez immédiatement toutes les cordes ou le câble électrique endommagés. N'utilisez pas une corde présentant des abrasions ou des fissures tout au long du cordon, de la prise ou du connecteur.
- 6) Débranchez votre centre de divertissement avant de le nettoyer ou de faire des réparations. Note: Si pour une raison quelconque, cet appareil doit être réparé, nous vous recommandons que la réparation soit faite par un technicien certifié.
- 7) Si vous n'utilisez plus votre ancien centre de divertissement, nous vous recommandons de retirer les portes et de laisser les étagères en place. Ceci réduira la possibilité de danger et d'accident pour les enfants.
- 8) Ce centre de divertissement ne doit pas être placé ou encastré à l'intérieur d'une cavité ou d'une armoire. Cet appareil est conçu pour être placé tout seul et sans support.
- 9) N'opérez pas votre centre de divertissement dans la présence des vapeurs et des fumées explosives.
- 10) Votre centre de divertissement n'est pas conçu pour garder des aliments périssables. Emmagasiné seulement des boissons en bouteille ou boîte.

CONSERVEZ CES INSTRUCTIONS

DANGER

Le risque d'entraperment des enfants. Avant de disposer de votre ancien appareil, retirez les portes. Laissez les étagères en place pour que les enfants ne puissent pas grimper facilement à l'intérieur.

Table des Matieres

	PAGE
GARANTIES IMPORTANTES	10
PARTIES ET CARACTERISTIQUES	12
INSTALLATION DU CENTRE DE DIVERTISSEMENT	13-15
Deballage du centre de divertissement	13
Mise a niveau du centre de divertissement	13
Circulation d'air	13
Conditons electriques	13
Utilisation des rallonges	14
Installation des limitations	14
Inversion de la Porte	15
CARACTERISTIQUES ET UTILISATIONS DU CENTRE DIVERTISSEMENT	16
Caracteiristique generale	16
Reglage de la temperature	16
Insterior de centre de divertissement rayonne	16
Utilisation du Verrou de Sécurité	16
ENTRETIENS ET NETTOYAGE DU CENTRE DE DIVERTISSEMENT	17-18
Nettoyage et Entretien	17
Decongelation	18
Coupure du courant	18
Entretien durant les vacances et deménagement	18
Bruit de fonctionnement normaux	18
DEPPANAGE	19
GARANTIE	20

Merci d'avoir achete un produit Haier. Ce guide de manuel facile vous aidera a obtenir le meilleur resultat en utilisant votre centre de divertissement.

N'oubliez pas d'enregistrer les numeros de serie de du modele. Ils sont sur une etiquette a l'arriere du centre de divertissement.

Agrafez votre recu d'achat avec votre manuel.

Vous en aurez besoin pour obtenir le service de la garantie.

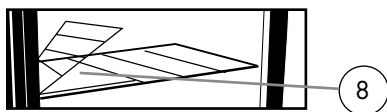
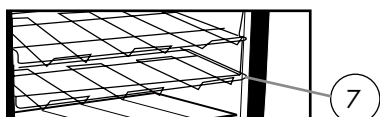
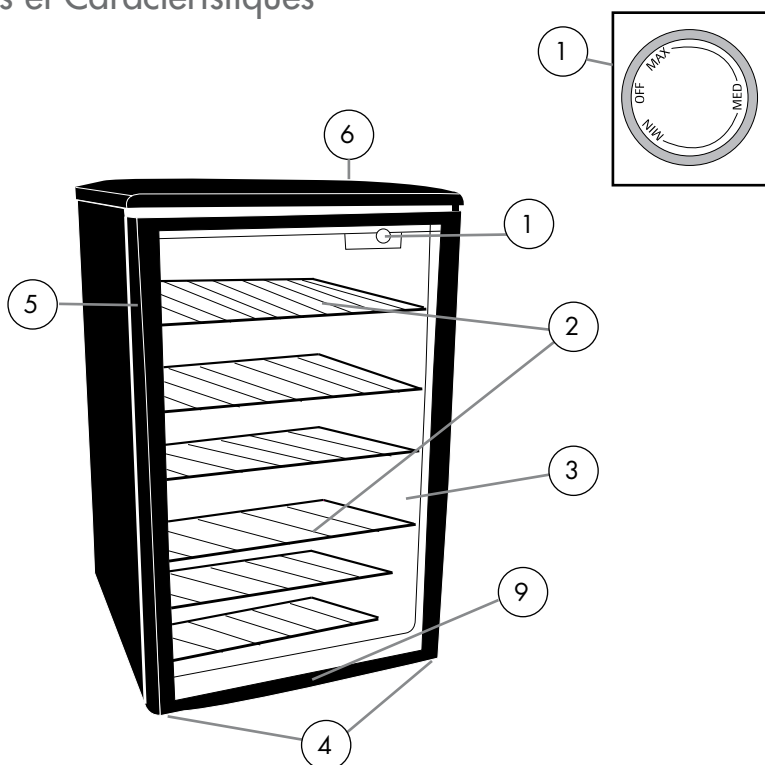
Numero du modele

Numero de serie

Date d'achat

Connaissez votre centre de divertissement

Parties et Caracteristiques



1. Le cadran du thermostat (l'emplacement varie selon le modele)
2. Tablettes de rangement plastifiees (le style et la quantite varient selon le modele)
3. Porte en verre transparent
4. Pieds a niveler
5. Poignee de porte encastree
6. Surface de travail (Pas sur tous les modeles)
7. Entreposage des canettes a double distributeur (seulement sur le HBCND05EB)
8. Tablette pivotante (Pas sur tous les modeles)
9. Serrure a clef (Pas sur tous les modeles).

Installation de votre centre de divertissement

Deballage du centre de divertissement

1. Retirez tous les matériaux d'emballage ainsi que le ruban adhésif retenant les accessoires à l'intérieur et l'extérieur du centre de divertissement.
2. Inspectez l'appareil et retirez le reste de l'emballage, le ruban adhésif et la documentation avant de mettre en marche votre centre de divertissement.

Mettre a niveau le centre de divertissement

- Votre centre de divertissement a 2 pieds de mise a niveau, situées au bas de l'unité. Après avoir placé votre centre de divertissement là où vous le désirez, mettez-le à niveau.
- Les pieds de mise a niveau peuvent être réglés en les tournant dans le sens des aiguilles d'une montre pour élever le centre ou dans le sens inverse des aiguilles d'une montre pour le rabaisser. La porte du centre de divertissement se ferme plus facilement quand les pieds sont complètement sortis.

Circulation d'air

- Pour vous assurer que le centre de divertissement fonctionne à plein rendement, installez-le dans un endroit ventilé proprement et où il existe des prises pour la connexion électrique.
- Les espaces suivants sont recommandés autour du centre de divertissement:

Cotes.....	3/4" (19mm)
Au-dessus.....	2" (50mm)
Derrière.....	2" (50mm)

Installation Electrique

- Assurez vous qu'il existe une prise electrique adequate (115 volts, 15amps) avec une mise a terre appropriee pour pouvoir brancher le centre de divertissement.
- N'utilisez pas un adaptateur a 3 broches et ne pas couper la troisieme broche afin d'accomoder une prise a 2 broches. Ceci est une pratique dangereuse car elle n'offre pas de mise a terre effective et ceci peut resulter d'un choc electrique.

Utilisation des Rallonges

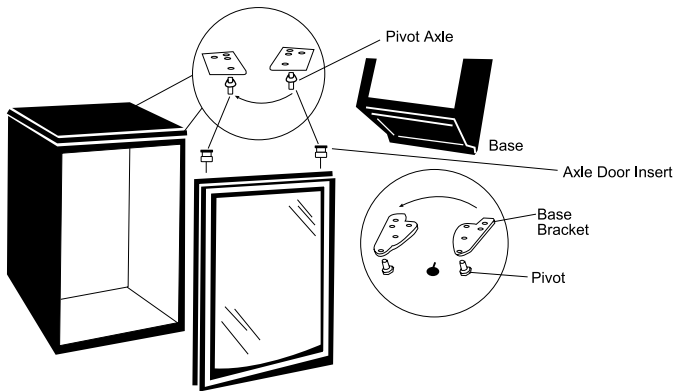
- Evitez d'utiliser une rallonge electrique car cela peut causer des risques de sante sous certaines conditions. S'il est necessaire d'utiliser une extension , utilisez seulement une corde de prolongation a 3 fils qui a 3 lames de mise a terre et une sortie de 3 fentes qui accepteront la prise. Le calibre defini du cordon d'extension doit etre egal ou superieur a celui de l'unite.

Limitations d'instruction

- N'installez pas votre centre de divertissement dans un endroit insuffisamment isole ou chauffe, par exemple le garage etc.... Votre centre de divertissement n'est pas concu pour fonctionner a une temperature inferieure a 55 degres F
- Choisissez pour votre centre de divertissement un endroit approprie sur une surface ferme et plane , loin des rayons de soleil ou de source de chaleur comme chauffage, radiateurs de plinthes, les appareils de cuisine etc.... Si le plancher est inegal , il doit etre corrige grace aux pieds du centre situes au bas du centre du divertissement.

Instructions pour inversion de la porte

(HBCN05EBB seulement)



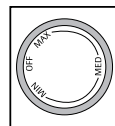
Votre centre de divertissement est construit avec une porte reversible. Vous avez le choix d'ouvrir la porte a droite ou a gauche. Afin de reserver la direction desiree pour ouvrir la porte, priere de suivre ces simples instructions. Penchez le centre de divertissement en arriere. Assurez l'arriere de ne pas glisser. Mettez un adhesif de la porte au cabinet pour l'empecher de tomber.

1. Enlevez les 3 vis hexagonals du crochet de la base.
2. Enlevez le pivot qui tient la porte de dessous.
3. Separez la porte du cabinet enlevez l'axe du pivot du cote superieur de la porte. Enlevez et reinstallez les insertions des axles superieur et inferieurs de la porte dans le cote oppose.
4. Installez l'axe du pivot dans le cote oppose.
5. Reattachez la porte au cabinet et assurez avec un ruban adhesif
6. Attachez le crochet de la base au cote oppose.
7. Installez le pivot inferieur en le mettant en ligne avec l'insertion inferieure sur la porte. Attachez les 3 vis hexagonals au crochet de la base.
8. Retirez le ruban adhesif.
9. Comme l' unite etait penche, attendez 24 heures avant de le brancher.

Caractéristique et usage du centre de divertissement

Caracterisitiques Generales

Ajustement du cadran de temperature:



(L'endroit varie selon le modele)

Votre centre de divertissement maintiendra automatiquement la temperature que vous choisissez. Le cadran de temperature a 3 réglages plus le OFF. MIN est le plus chaud et MAX est le plus froid. En tournant le cadran sur le OFF, le refroidissant s'arrêtera dans le centre du divertissement. Avant tout reglez le cadran sur le MED (MOYEN) et permettez 24 heures avant d'ajuster la temperature desirée.

1. Situe sur l'arriere pres du fond pour modele HACN02EBB
2. Situe dans l'unité interieure sur le cote droit pour modele HBCN05EBB et HBCND05EB

Note: Si l'unité a été place dans une position horizontale ou penche dans une position pour une longue periode de temps, attendez 24 heures avant de le brancher.

SOUS DES CONDITIONS NORMALES D'OPÉRATION, LA TEMPÉRATURE DE VOTRE CENTRE DE BREUVAGES VARIE SELON UN NOMBRE DE FACTEURS, INCLUANT : LES OUVERTURES DE LA PORTE, LA TEMPÉRATURE AMBIENTE, LE STOCKAGE DE PRODUITS ET L'HUMIDITÉ.

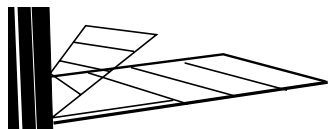
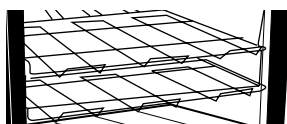
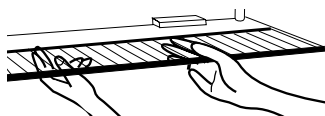
LA TEMPÉRATURE SERA TOUJOURS FRAICHE VERS LE HAUT DE L'APPAREIL ET PLUS FRAICHE VERS LE BAS.

Les etageres interieures du centre de divertissement

(Les etageres varient selon le modele achete)

Pour retirer ou changer une étagère a pleine largeur:

1. Gentiment, penchez l'étagere vers le haut et glissez la vers le dehors jusqu'à ce qu'elle soit retirée complètement.
2. Pour replacer l'étagere, glissez la au dedans.
3. Double Dispenser Peut Tourmenter (HBCND05EB Seulement) Pour l'accès facile aux boîtes.
4. Verser l'accès aux boîtes facile (Pas sur tous les modeles). Pour aider le magasin grands et grands bouteilles de taille seulement.



Utilisation du Verrou de Sécurité (Pas sur tous les modeles)

- Votre centre de divertissement peut être équipé d'un verrou avec clé (situé en bas, au centre de la porte) pour une sécurité accrue si vous le souhaitez. Il vous suffit de fermer la porte du réfrigérateur, introduisez la clé et tournez. Pour ouvrir, introduisez la clé et tournez dans le sens inverse.

Entretien et nettoyage propres du centre de divertissement

Entretien et Nettoyage

Avertissement: Pour éviter les chocs électriques, débranchez toujours votre centre de divertissement avant de le nettoyer. En ignorant cet avertissement, peut résulter d'une blessure ou même d'un décès.

Avant d'utiliser des produits de nettoyage, veuillez lire et suivez les instructions du fabricant pour éviter des blessures personnelles ou dommages à l'unité.

Générale:

- Préparez une solution de nettoyage composée de 3 à 4 cuillères de bicarbonate de soude mélangé à l'eau chaude. Utilisez une éponge ou un chiffon doux trempé dans cette solution pour nettoyer le centre de divertissement.
- Rincez avec l'eau tiède et séchez à l'aide d'un chiffon doux.
- N'utilisez pas des produits chimiques puissants, d'abrasifs, d'ammoniaque ou de l'eau de javel, des détergents concentrés, des solvants et des tampons à recurer en fibre métallique. Certains de ces produits chimiques risquent de dissoudre, d'endommager ou de décolorer le centre de divertissement.

Joints de la porte:

- Nettoyez les joints de la porte chaque 3 mois conformément aux instructions générales. Les joints doivent rester propres et souples pour assurer une étanchéité parfaite.
- Un lubrifiant de pétrole appliqué sur les cotés charnière des joints conservera leur souplesse, et assurera une fermeture scellée.

Decongelation de votre centre de divertissement

Votre centre de divertissement est conçu avec un système de dégivrage manuel. Les surfaces du centre de divertissement se dégivreront, lorsque les contrôles de température sont éteints. L'appareil se débarrasse de l'eau automatiquement en évacuant l'eau par un canal jusqu'à un bac d'écoulement situé sur le compresseur. La chaleur dégagée par le compresseur fait évaporer l'eau.

Coups de Courant

- Occasionnellement, des coupures de courant peuvent se produire pour des raisons ou d'autres raisons. Débranchez le cordon d'alimentation de la prise du courant AC en cas de coupure de courant. Quand le courant est rétabli, rebranchez votre centre de divertissement sur la prise de AC.

Entretien pendant les Vacances et le Déménagement

- Pendant une longue absence ou de longues vacances, videz votre centre de divertissement, changez le cadran de température jusqu'à la position OFF et nettoyez le centre de divertissement et les joints de la porte conformément aux instructions de la section "Nettoyage General". Laissez les portes ouvertes, pour que l'air circule à l'intérieur.

Bruits de fonctionnement normaux que vous entendrez

- Les bruits de gargouillement d'eau, d'eau bouillante ainsi que les légères vibrations sont les résultats des réfrigérants circulants dans les bobines refroidissantes.
- Le thermostat cliquetera quand le cycle est sur le ON et sur le OFF.

Depannage

Le centre de divertissement ne fonctionne pas

- Assurez vous que le control du thermostat n'est pas sur le Off position.
- Assurez vous que le centre de divertissement est branche.
- Assurez vous que la prise du courant est alimentee en verifiant le disjoncteur.

Temperature est tiede

- Porte est ouverte tres souvent
- Permettez suffisamment de temps pour que les boissons recemment places dans le centre puissent se refroidir
- Verifiez l'etancheite des joints
- Ajustez le control de temperature sur un réglage plus froid.

Temperature est trop froide

- Si le control de temperature est reglee sur une temperature trop froide, reglez le sur une temperature plus haute et permettez plusieurs heures pour que la temperature s'ajuste.

Le centre de divertissement est en marche trop souvent

- Ceci peut etre tout a fait normal pendant les jours humides et pendant une haute temperature pour que la temperature soit constante.
- Il se peut que les portes sont ouvertes plus souvent pou pendant une longue periode de temps.
- Verifiez l'etancheite de joints.
- Verifiez que les portes soient completement fermees.

Humidite apparait a l'interieur ou l'exterieur du centre de divertissement

- Ceci est normal pendant les periodes humides
- Les portes sont ouvertes trop souvent ou pour une longue periode de temps.
- Verifiez une propre closure scellee.

Les portes du centre de divertissement ne se ferment pas correctement

- Mettez a niveau votre centre de divertissement.
- Verifiez que rien n'est bloque.

Garantie Limitee

Que recouvre la garantie et pour combien de temps?

Cette garantie couvre tous les défauts du fabricant ou des matériaux pour période de :

12 mois pour la main-d'oeuvre
12 mois pour les parties
5 ans pour le système scelle

Cette garantie commence le jour de l'achat de l'unité et le reçu d'achat original doit être présenté au centre de services autorisé, avant de commencer n'importe quelle réparation.

EXCEPTIONS: Garantie pour une utilisation commerciale ou en cas de louer

90 jours pour la main d'oeuvre
90 jours pour les parties
Aucune autre garantie ne s'applique

Qu'est-ce qui est couvert?

1. Les parties mécaniques et électriques qui servent comme fonctionnement pour une période de 12 mois. Ceci inclus toutes les pièces sauf la finition et l'habillage
2. Les composants du système scelle, par exemple, le compresseur hermétique, le condenseur et l'évaporateur sont garantis contre tous les défauts du fabricant pour une période de 5 ans à partir de la date d'achat. N'importe quels dommages de ces parties causés par un mauvais traitement, une utilisation excessive, un maniement ou transport malpropre ne seront pas couverts.

Quelles mesures seront prises?

1. Nous remplacerons ou réparerons sous notre discrétion toute pièce électrique ou mécanique défectueuse lors d'une utilisation normale pendant la période normale de la garantie spécifiée.
2. L'acheteur n'aura pas à payer la main-d'oeuvre ou pour les parties couvertes

pendant la période initiale de 12 mois. Après cette période, seules les pièces sont couvertes par la garantie, la main-d'oeuvre est la responsabilité du client.

3. Veuillez contacter votre centre de services autorisé. Pour obtenir le nom de votre centre de service le plus proche, veuillez appeler le 1-877-377-3639

Cette garantie couvre les appareils sur le continent des États Unis, Puerto Rico et Canada:

Elle ne couvre pas les suivants.

Dommages dus à une mauvaise installation

Dommages dus pendant le transport

Les défauts autre que du fabricant

Dommages dus à une mauvaise utilisation, à une utilisation excessive, à une altération, au manque d'entretien et à une tension ou un voltage incorrect.

Dommages dus à une utilisation hors de la maison

Dommages dus à une réparation effectuée par un service autre que le service autorisé ou service du centre.

À l'habillage et les ampoules remplaçables

Au transport et expédition

À la main-d'oeuvre (après 12 mois initiaux)

Cette garantie limitée est donnée au lieu et en place de toutes autres garanties, exprimées ou y compris les garanties de valeur marchande et de santé pour un but particulier.

Les réparations fournies dans cette garantie sont exclusives et accordées au lieu et en place de toutes autres réparations.

Cette garantie ne couvre pas les dommages accessoires ou conséquents, donc les limitations ci-dessus mentionnées ne peuvent pas s'appliquer à vous.

Cette garantie vous reconnaît certains droits juridiques, il est possible que vous disposiez d'autres droits, qui varient d'un état à l'autre.

Haier America
 New York, NY 10018

IMPORTANTES MEDIDAS DE SEGURIDAD

Cuando utilice esta unidad siempre siga las precauciones básicas de seguridad incluyendo las siguientes:

- 1) Lea todas las instrucciones antes de utilizar esta unidad.
- 2) Utilice la cava de vinos solo para su entendido uso como se describe en este manual.
- 3) Esta Cava de vinos debe estar correctamente instalada antes de su utilización de acuerdo a las instrucciones brindadas en la sección de instalación de este manual. Ver instrucciones de conexión a tierra.
- 4) Nunca desenchufe la unidad tirando del cable de corriente. Siempre agarre y sostenga el enchufe firmemente y tire hacia fuera de la toma de corriente.
- 5) Desenchufe antes de limpiar o antes de hacer algún tipo de reparación.
Nota: si por alguna razón es necesario llamar al service nosotros recomendamos que un técnico calificado se encargue del mismo.
- 6) Reemplace o repare inmediatamente todos aquellos cables que estén dañados o rasgados. No utilice cables que presenten abrasiones o daños a lo largo del mismo, en el enchufe o en el final de la conexión.
- 7) Esta unidad no debe ser ubicada en un gabinete o lugar cerrado. Está diseñada para la instalación en lugares abiertos.
- 8) Si la Cava de vinos no está siendo utilizada, recomendamos que retire la puerta y los estantes de la misma, de modo de reducir el posible daño a chicos.
- 9) No opere en presencia de gases explosivos.
- 10) No almacene alimentos ya que la temperatura no es adecuada como para mantener el estado de los mismos.

GUARDE ESTAS INSTRUCCIONES

PELIGRO

Riesgo de niños. Antes de tirar su cava anterior asegúrese de retirar las puertas de la misma. Deje los estantes en el interior para evitar que un niño pueda entrar.

Indice

	PAGE
PRECAUCIONES DE SEGURIDAD	21
PARTES Y CARACTERISTICAS	23
INSTALACION DE LA CAVA	24-25
Desempacando la cava	24
Nivelando la unidad	24
Circulacion de aire adecuada	24
Requerimientos electricos	24
Uso de Alargues	24
Limitaciones en la instalacion	25
Revirtiendo la puerta	25
CARACTERISTICAS Y USO	26
Caraterísticas generales	26
Ajuste de temperatura	26
Estantes internos	26
Uso del Cierre	26
CUIDADO Y MANTENIMIENTO ADECUADO	27
Limpieza y mantenimiento	27
Descongelado	28
Interrupciones de energia	28
Vacaciones y traslados	28
Sonidos de la operación normal	28
PROBLEMAS GENERALES	29
GARANTIA	30

Gracias por utilizar nuestro producto Haier. Este manual de fácil uso lo guiará para obtener los mejores resultados de su cava de vinos.

Recuerde guardar el número de serie y de modelo. Se encuentran en la etiqueta trasera de la unidad.

Número de modelo

Número de serie

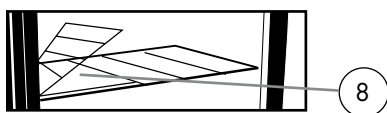
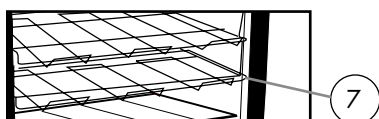
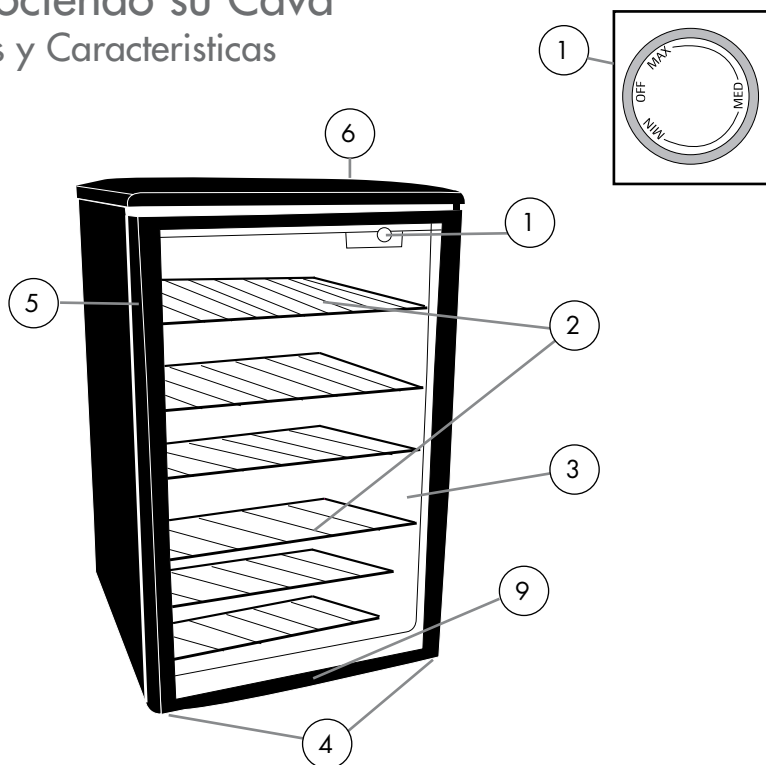
Fecha de compra

Adjunte su factura a este manual.

Será necesaria para poder hacer uso de los servicios de garantía.

Conociendo su Cava

Partes y Características



1. Dial de termostato (la ubicación varía según el modelo)
2. Estantes de almacenamiento recubiertos (la cantidad y el estilo varían según el modelo)
3. Ventana de vidrio para ver el interior
4. Patas niveladoras
5. Manija de puerta empotrada
6. Superficie de trabajo (no todos los modelos)
7. Compartimento doble para almacenamiento de latas (sólo en HBCND05EB)
8. Estante móvil (no todos los modelos)
9. Dispositivo de seguridad con llave (no todos los modelos)

Instalando la Cava de Vinos

Desempacando

1. Retire todos los materiales correspondientes al embalaje. Esto incluye la base y todas las cintas adhesivas que sostienen los accesorios y el compresor por dentro y fuera de la unidad.
2. Inspeccione y retire todos los posibles restos de cintas o materiales del packaging antes de enchufar la unidad.

Nivelado de la Unidad

- Su Cava de vinos posee 2 pies niveladores que se encuentran ubicados en la parte trasera de la unidad. Luego de ubicar la Cava de Vinos en su posición final usted puede nivelarla.
- Gire los pies en sentido de las agujas del reloj para levantar la unidad o gire en sentido contrario para bajar. La puerta cerrará más fácil cuando los pies niveladores estén extendidos.

Adecuada Circulación de Aire

- Para asegurarse de que su unidad trabaje al máximo de eficiencia para el que fue diseñado, usted debe instalar la Cava de vinos en un lugar donde exista una adecuada circulación de aire y estén las conexiones eléctricas al alcance.
- Se recomienda dejar los siguientes espacios alrededor de la unidad:
 Laterales 3/4 "(19mm)
 Arriba 2" (50mm)
 Abajo..... 2" (50mm)

Requerimientos Elctricos

- Asegúrese de que haya una adecuada toma de corriente (115 Volt, 15amp) con la correcta conexión a tierra.
- Evite el uso de adaptadores y no corte el cable a tierra para poder hacer una conexión a una toma de dos patas. Esto puede ser peligroso ya que la conexión a tierra no será efectiva y se correrán riesgos de daños a la unidad y de shock eléctrico.

Uso de Alargues

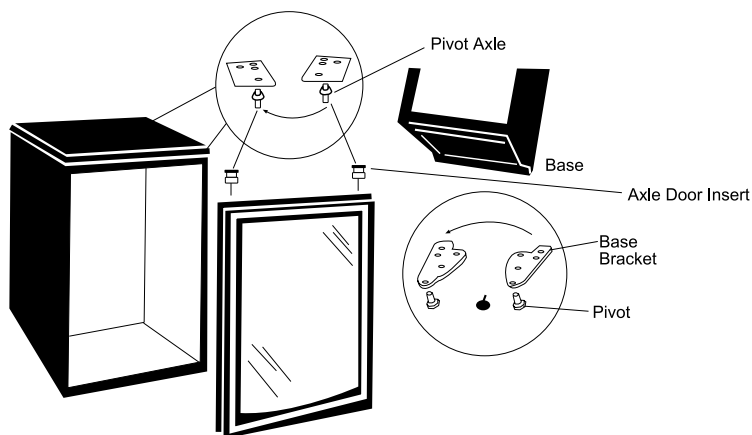
- Evite el uso de alargues para su mayor seguridad y la del equipo. Si fuese necesario utilizar un alargue utilice uno de tres cables, con enchufe y toma de tres patas que sea compatible con el enchufe de la unidad.

Limitaciones de la Instalacion

- No instale la unidad en un lugar no adecuadamente aislado o de mucho calor, por ej, garage, etc. Su Cava de vinos no fue diseñada para operar a temperaturas inferiores a 55 grados fahrenheit.
- Seleccione una ubicación sobre una base resistente y nivelada, lejos de la luz directa del sol u otra fuente de calor como radiadores, artefactos de cocina, etc. En caso de que la superficie del piso no esté nivelada utilice patas niveladoras.

Reversion de la Puerta

(HBCN05EBB Solamente)



Su cava de vinos fue diseñada con una puerta reversible. Usted tiene la opción de abrir la puerta desde la izquierda o la derecha. Si usted desea revertir la apertura de la puerta por favor siga las siguientes instrucciones. Incline la unidad hacia atrás. Asegure la parte inferior para que no deslice. Enciente la puerta de la unidad al gabinete para prevenir que ésta se caiga.

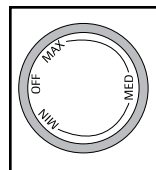
1. Retire los tres tornillos hexagonales del soporte base
2. Retire la clavija que sostiene el eje inferior de la puerta.
3. Separe la puerta de la unidad y retire la clavija del eje superior de la puerta. Retire e instale los soportes de los ejes del lado opuesto.
4. Instale las clavijas del lado opuesto
5. Pegue la puerta al gabinete y asegure nuevamente con cinta adhesiva.
6. Ate el soporte base del lado opuesto
7. Coloque la clavija inferior alineando con el orificio inferior de la puerta. Atelos tres tornillos hexagonales al soporte.
8. Retire la cinta adhesiva
9. Como la unidad fue inclinada recomendamos esperar unas 24 horas antes de enchufarla.

Características y Uso

Caraterísticas Iniciales

Ajustes de la Temperatura:

(la ubicación varía según el modelo)



Su cava de vinos mantendrá automáticamente el nivel de temperatura que usted elija. El control de temperatura posee 3 opciones y la opción OFF. MIN es la más cálida y MAX es la más fría. Si lleva el dial a Off la cava deja de enfriar. En principio elija la opción MED y deje pasar unas 24 horas antes de ajustar la temperatura a sus necesidades.

1. Ubicado la parte trasera para los modelos HBCN02EBB y HBCND05EB
2. Ubicado en el interior de la unidad del lado derecho para el modelo HBCN05EBB

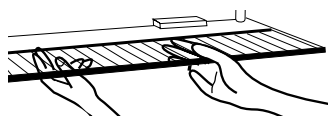
(Nota: Si la unidad ha sido inclinado o colocada horizontalmente por algún período de tiempo siempre deje pasar unas 24 horas antes de enchufar.)

BAJO CONDICIONES DE FUNCIONAMIENTO NORMALES, LA TEMPERATURA DE SU CENTRO DE BEBIDAS FLUCTUARÁ SEGÚN DIFERENTES FACTORES QUE INCLUYEN: VECES QUE ABRE LA PUERTA, TEMPERATURA AMBIENTE, HUMEDAD Y CARGA DE PRODUCTOS.

LA TEMPERATURA SIEMPRE SERÁ MAYOR EN LA PARTE SUPERIOR DE LA UNIDAD Y MÁS FRÍA EN LA PARTE INFERIOR.

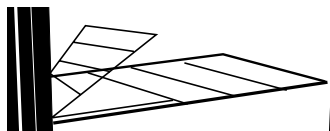
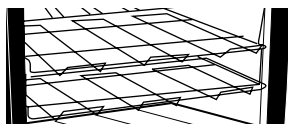
Estantes Interiores

(Los estantes varían por modelo)



Para retirar o ubicar nuevamente el estante de completo deslizable:

1. Para retirar el estante levante y deslice el mismo hacia fuera hasta removerlo por completo.
2. Para colocar el estante en su lugar deslice hacia dentro nuevamente.
3. Doble Distribuye Puede Atormentar (HBCND05EB Solo)
Para el acceso fácil a puede.
4. Eche al aire anaquel (No todos los modelos)
Para ayudar la tienda botellas altas y grand es de tamaño sólo.



Uso del Cierre (no todos los modelos)

- Para mayor seguridad, el cava de vinos puede usarlo. Simplemente cierre la puerta del refrigerador, inserte la llave y gírela. Para abrir el refrigerador inserte la llave y gírela en la dirección opuesta. venir equipado con un cierre con llave que está ubicado en el centro del borde inferior de la puerta, si usted desea.

Cuidado y Mantenimiento Adecuado

Limpieza y Mantenimiento

- Cuidado:** Para evitar los riesgos de un shock eléctrico siempre desenchufe la unidad antes de la limpieza. No ignore nunca esta advertencia.
- Precaucion:** Antes de utilizar productos de limpieza lea y siga siempre las instrucciones del fabricante para evitar daños a la unidad o lesiones físicas.
- General:**
- Prepare una solución de 3 o 4 cucharadas de bicarbonato y agua tibia. Utilice una esponja o un paño suave humedecido con la solución anterior para repasar todas las superficies de la Cava.
 - Lave con agua tibia y seque con un paño seco.
 - No utilice químicos, abrasivos, amoníaco, cloro, detergentes concentrados o esponjitas de metal. Algunos de estos productos pueden dañar o decolorar las superficies de la unidad.
- Juntas de las puertas:**
- Limpie las juntas de la puerta cada tres meses mínimo de acuerdo a las instrucciones generales. Los bordes y juntas deben mantenerse limpios para lograr un completo sellado de la puerta al cerrarse.
 - La aplicación de vaselina en los pliegues asegurará la flexibilidad de las juntas y un correcto sellado.

Descongelado de la cava

- Su centro de entretenimiento está diseñado con un sistema de descongelamiento manual. Las superficies del centro de entretenimiento se descongelarán cuando el control de temperatura esté en posición "Off" ("apagado"). El agua de la unidad se desecha automáticamente en una bandeja para goteo ubicada en el compresor. El calor que se transfiere del compresor hace que esta agua se evapore.

Interrupciones de Energía

- Ocasionalmente pueden ocurrir cortes de energía debido a tormentas y otras causas. Desenchufe la unidad cuando esto ocurra. Cuando la corriente eléctrica se reestablezca enchufe nuevamente.

Vacaciones y Mudanzas

- Cuando vaya de vacaciones o esté ausente por un tiempo largo apague la unidad llevando el dial a OFF, desenchufe, vacíe la cava y limpie de acuerdo a las reglas generales de limpieza. Deje la puerta abierta así el aire circula en el interior. Cuando tenga que transportar la Cava de Vinos siempre manténgala en posición vertical, nunca mueva la unidad en posición horizontal. (puede causar daños al sistema).

Sonidos de la Operación Normal

- Sonidos como de agua hirviendo, pequeñas vibraciones pueden ser el resultado de la refrigeración circulando a través de las bobinas de enfriamiento.

- El termostato puede producir un "click" cuando enciende y apaga.

Problemas Generales

La Cava de Vinos no opera

- Verifique si la unidad está en posición OFF
- Controle que la unidad esté enchufada correctamente
- Controle si hay electricidad en la toma de corriente.

La temperatura parece demasiado alta

- No abra la puerta tan frecuentemente
- De tiempo a los vinos recién almacenados a alcancen la temperatura deseada.
- Controle que la puerta selle correctamente al cerrarla
- Ajuste a un nivel de temperatura más frío.

La temperatura es muy Fria

- Ajuste el nivel de temperatura a una posición mas cálida y deje pasar unas horas para alcanzar la misma.

La Cava de Vinos trabaja muy seguido

- Esto puede ser normal en orden de mantener la temperatura establecida en días de extrema humedad o calor.
- La puerta puede haber estado abierta por un período largo de tiempo.
- Limpie las bobinas del condensador
- Controle que la puerta selle correctamente al cerrar
- Limpie las juntas y bordes de la puerta

Formación de vapor y humedad en el interior o exterior

- Esto es normal durante períodos de gran humedad.
- La puerta se abre por períodos de tiempo prolongado.
- Controle que la puerta selle correctamente al cerrar

La puerta no cierra correctamente

- Nivele la unidad.
- Controle que nada esté bloqueando o obstruyendo al cerrar.

Garantía Limitada

Qué cubre y por cuánto tiempo?

Esta garantía cubre todos los defectos en los materiales o los causados por el traslado durante un período de:

12 meses labor
12 meses partes
5 años el sistema sellado

La garantía comienza el día en que el producto fue comprado. La factura original de compra debe ser presentada antes de hacer uso del servicio.

EXCEPCIONES: Garantía de uso comercial

90 días (labor)
90 días (partes)
no aplica ninguna otra garantía

Que es lo que cubre?

1. Las partes mecánicas y eléctricas que se utilizan para el funcionamiento, por un período de 12 meses. Incluye todas las partes menos el acabado final.
2. Los componentes del sistema sellado, por ej. el compresor hermético, condensador, evaporador, de todo defecto de manufactura por un período de 5 años desde la fecha de compra. Cualquier daño a estos componentes causado por abuso mecánico o utilización inadecuada no serán cubiertos.

Que se hará?

1. Repararemos o reemplazaremos cualquier parte mecánica o eléctrica que se compruebe como defectuosa en el funcionamiento normal y durante el período de garantía.
2. No habrá cargos para el comprador por las partes y labor de acuerdo a los items anteriores y respetando el período de 12 meses. Luego de ese período sólo los componentes están cubiertos por la garantía. La labor deberá ser abonada por el cliente.

3. Contacte su Centro de servicios autorizado más cercano. Para averiguar el nombre del service mas cercano llame al 1-877-337-3639

ESTA GARANTIA A CUBRE EN LOS EEUU, PUERTO RICO Y CANADA. NO CUBRE LO SIGUIENTE

Daños por instalación impropia
 Daños en el embarque y traslado
 Otros defectos que no sean de manufactura
 Daños por desuso, abuso, accidente, alteración o falta de cuidado y mantenimiento adecuado.
 Daños por otro uso que no sea el doméstico.

Daños ocasionados por reparaciones de personal no perteneciente a algún service autorizado.

Decoraciones o reemplazo de la bombita de luz.

Transporte y embarque

Labor (luego de los primeros 12 meses)

ESTA GARANTIA LIMITADA ESTA DADA EN LUGAR DE CUALQUIER OTRA GARANTIA.

Las soluciones dadas por esta garantía son exclusivas y otorgadas en lugar de cualquier otra solución. Esta garantía no cubre daños incidentales o secundarios, de modo que las limitaciones precedentes no lo alcanzan a usted. Algunos Estados no permiten las limitaciones de tiempo de una garantía implícita, de modo que las limitaciones anteriores pueden no aplicarse en su caso.

Esta garantía le da derechos legales específicos, y usted puede contar con otros derechos de acuerdo al Estado donde se encuentre.

Haier America
 New York, NY 10018

IMPORTANT

Do Not Return This Product To The Store

If you have a problem with this product, please contact
the "Haier Customer Satisfaction Center" at 877.337.3639.
DATED PROOF OF PURCHASE REQUIRED FOR WARRANTY SERVICE

IMPORTANT

Ne pas Réexpédier ce Produit au Magasin

Pour tout problème concernant ce produit, veuillez contacter le service des consommateurs "Haier Customer Satisfaction Center" au 1-877-337-3639. UNE
PREUVE D'ACHAT DATEE EST REQUISE POUR BENEFICIER DE LA GARANTIE.

IMPORTANTE

No regrese este producto a la tienda

Si tiene algún problema con este producto, por favor contacte
el "Centro de Servicio al Consumidor de Haier" al 1-877-337-3639 (Válido solo en
E.U.A). NECESITA UNA PRUEBA DE COMPRA FECHADA PARA EL SERVICIO DE LA GARANTIA

Haier®

Made in China
Fabriqué en Chine
Hecho en China

Haier America
1356 Broadway
New York, NY 10018

Printed in China

Issued: January-11

HBCN05EBB, HBCND05EB, HBCN05FVS, ZHBCN05FVS

© 2011 HAIER AMERICA TRADING, L.L.C. ALL RIGHTS RESERVED.