

Hisense

RF15N1BSD

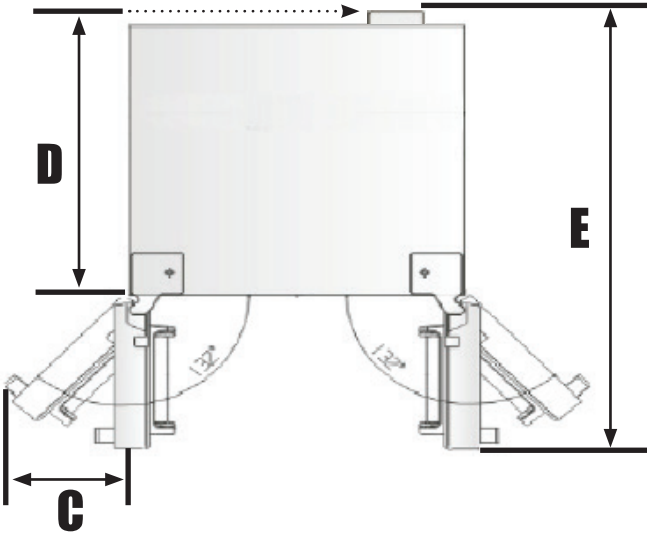
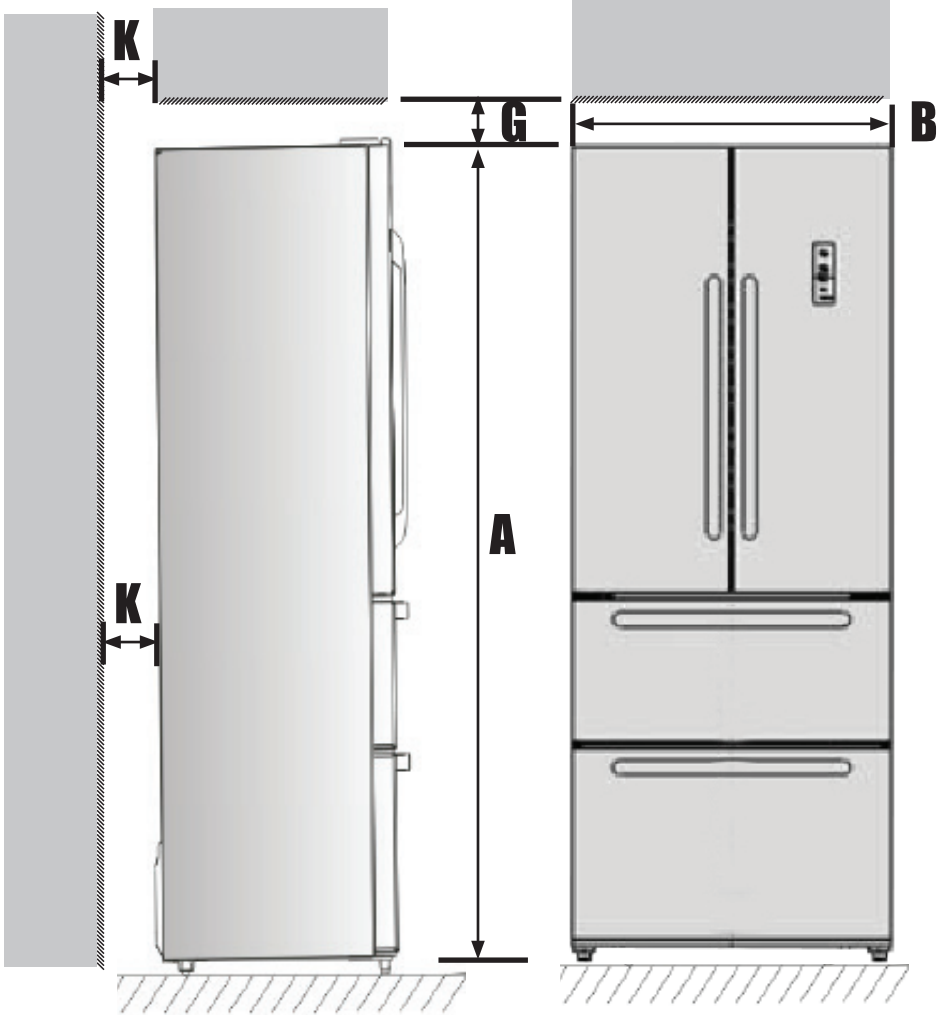
French Door Bottom Freezer



Capacity	
Refrigerator capacity	11.7 cu.ft.
Freezer capacity	3.0 cu.ft.
Total capacity	14.7cu.ft.
Features - Refrigerator	
Configuration	French Door Bottom Freezer
Temperature Management System	Electronic
Interior Lighting	LED
Contol Panel	LED Door Display with Touch Control System
Spill-proof shelves	3
Multi Air Flow System	Yes
Super Cool	Yes
Door alarm	Yes
Vacation Mode	Yes
Folding Shelf	1
Features - Freezer	
Freezer Type	Drawer
Drawer accessible from the outside	2
Drawer closing system	Yes
Super Freeze	Yes
Twist Ice Tray	Yes
Ice maker access	Freezer compartment
Appearance	
Door Design	Flat
Concealed Hinges	Yes
Handle Type	Curved shape
Freestanding	Yes
Counter-Depth Dimensions	Yes
Cabinet Color	Grey
Color Appearance	Stainless Steel
Wine and eggs rack	Yes
Electrical Requirements	
Volts; Hertz; Amps	120V; 60Hz ; 15 amp circuit
Energy Consumption	538 kWh per year
Dimensions	
Overall Height (in.)	71 3/8"
Overall Width (in.)	27 5/8"
Overal Depth (in.) (including cabinet and handle)	30 3/4"
Overall depth(in.) without door	25 3/4"
Warranty	
Full 1 Year	Entire Appliance; In-Home; Parts & Labor
Limited Additional 9 Years (10 Years Total)	Sealed System; Parts only; In-Home

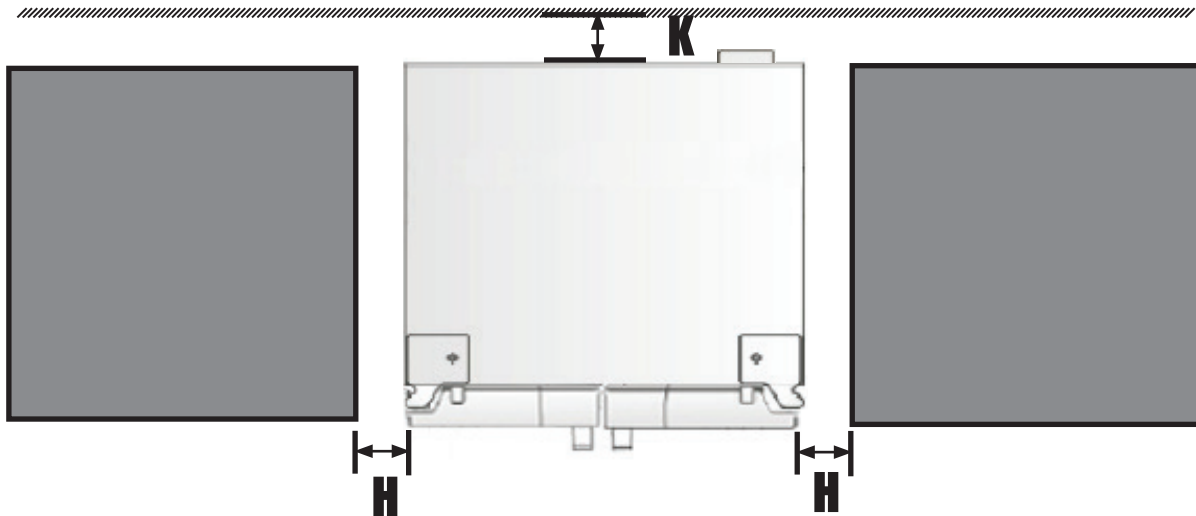


The information contained herein is based on sources that we believe to be reliable, but is not guaranteed by us, may be incomplete or may change without notice

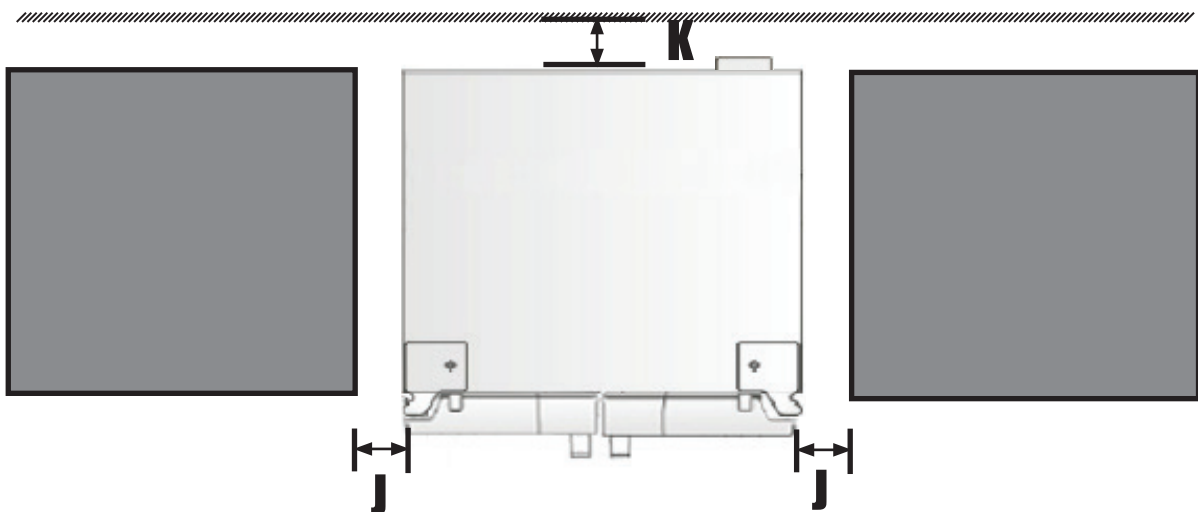


The information contained herein is based on sources that we believe to be reliable, but is not guaranteed by us, may be incomplete or may change without notice

Installation - Flush with refrigerator door



Installation - Flush with refrigerator chassis



Product dimensions		inches	mm
A	Overall height of product	71 3/8	1813
B	Overall width of product	27 5/8	700
C	Width - between 90° and 132° door opening	11 3/8	287.5
D	Overall depth (excludes handle)	25 3/4	654
E	Overall depth including 90° door rotation	40 3/8	1025.5
F	Overall depth (including handles and doors)	30 3/4	781
Minimum Clearances			
G	Top clearance (min.)	2	50
H	Side clearance - Flush with door - Full door rotation	4	100
J	Side clearance - flush with refrigerator chassis- Full door rotation	1/2	12.5
K	Rear clearance	2	50