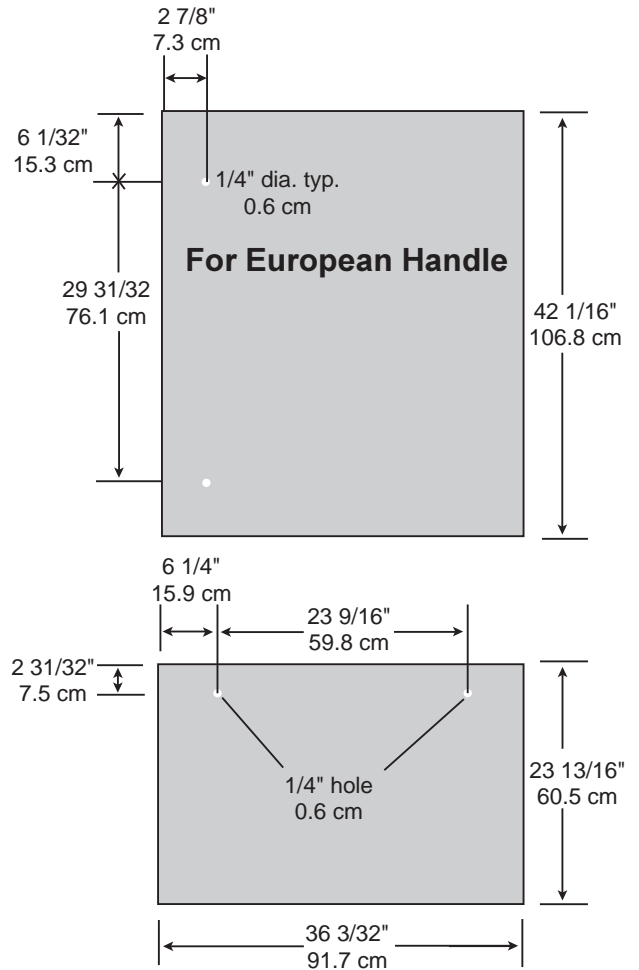
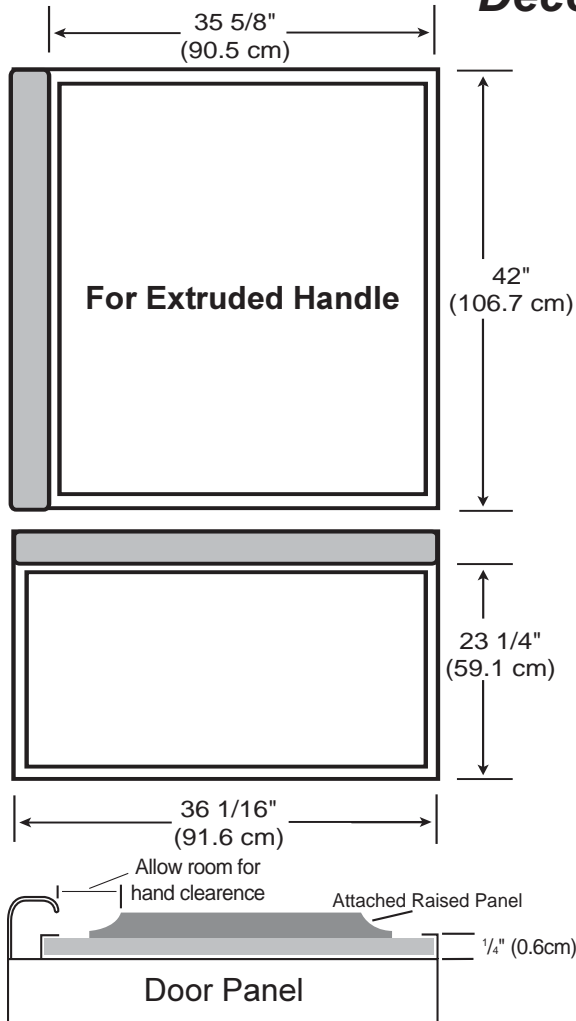




CAUTION

Refrigerator door panel should not exceed 30 lbs. (14 kg).
Freezer drawer panel should not exceed 15 lbs. (7 kg).

Decorator Door Panel Installation



IMPORTANT:

Door must be removed from refrigerator before removing handle. Top trim must be removed from refrigerator before removing door panel.

1. Remove the refrigerator handle:

- Using a Phillips screwdriver, remove top door cap.
- Tap bottom edge of refrigerator door handle upward with a rubber mallet.
- Handle will slide up approximately 3/4" (19.05 mm) and release from door.

2. Remove the door panel:

- Slide out decorator panel and filler board. (If Present)
- Store panel and filler board carefully to prevent scratching.

3. Replace the refrigerator door panel:

- Carefully slide the 1/4" (6.35 mm), maximum thickness, decorator panel in grooves provided by bottom door cap and side trim.
- Slide the filler board into place behind the decorator panel, if necessary.
- Attach the handle and trim.
- Reinstall refrigerator door.

NOTE : You do not need to remove the freezer drawer to remove or replace the decorator panel.

4. Pull freezer drawer out to access handle screws .

- Using a Phillips screwdriver, remove handle screws and lift off handle.
- Slide decorator panel and filler board up through handle opening.
- Replace decorator panels by reversing directions .

NOTE: If you plan to install custom wood decorator panels, you will need to create the panels yourself or consult your cabinetmaker.

See dimensional drawings for wood panel inserts .

NOTE: Inside door edges on three door model are not trimmed. Installed wood panel edges will be exposed and require finishing.

Flat Panels:

You can create a custom flat panel a maximum of 1/4" (6.35 mm) thick to replace your decorator panels. Flat wood panels less than 1/4" (6.35 mm) thick are not recommended.

Raised Panels:

A raised panel design can be created by screwing or gluing wood panels to 1/4" (6.35 mm) backing or by using 3/4" (19.05 mm) stock with routed edges. (Note customer to provide 2" (5.1 cm) long screw for 3/4" panel.) Allow Sufficient hand clearance between raised edge of panel and handle.

Door reversal:

If you intend to reverse doors - retrieve the alternative side door trim. Shipped with the refrigerator.

WARNING

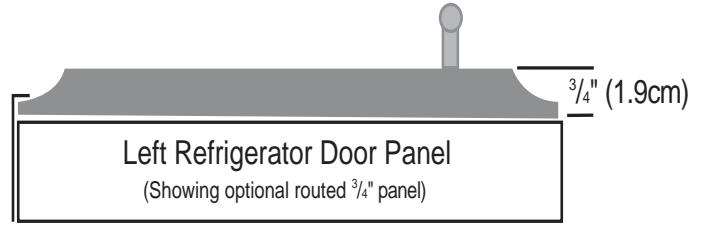
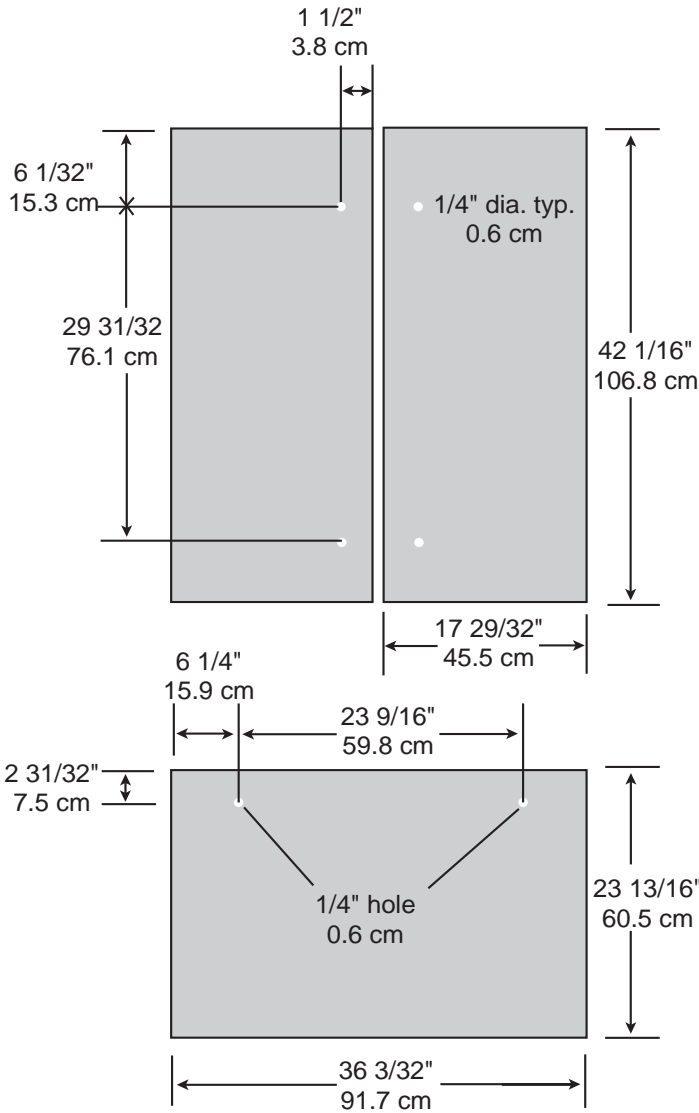
Weight requirements for raised panel inserts :
Refrigerator door panel should not exceed 30 lbs. (14 kg) combined weight.
Freezer drawer panels should not exceed 15 lbs . (7 kg).



CAUTION

Individual refrigerator door panels should not exceed 15 lbs. (7 kg).
Freezer drawer panel should not exceed 15 lbs. (7 kg).

3 Door Decorator Panel Installation

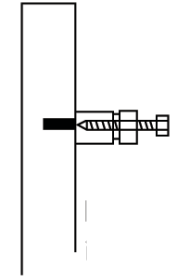


HOW TO INSTALL AND REMOVE HANDLES

In some cases, handles may need to be removed to transport unit through tight spaces, reversing doors, or installing panels. Some models may come with handles shipped separate from the refrigerator door.

Tools Required

- Phillips screw driver
- 3/32" Allen Wrench
- 1/4" Hex head screw driver



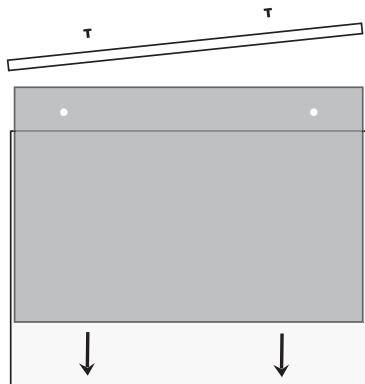
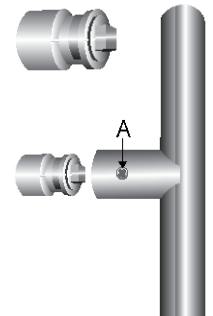
1 1/2" (3.8cm)
long 1/4" hex
head screw
(factory installed)

REMOVING HANDLES

1. Locate set screws in handle and loosen set screws with a 3/32" Allen wrench.
2. Lift handle from handle mounting posts to remove.

INSTALLING HANDLES

1. Retrieve handle from shipping material (some models).
2. Locate handle mounting posts on face of door.
3. Position handle over mounting posts.
4. Tighten set screws (A) with a 3/32" Allen wrench

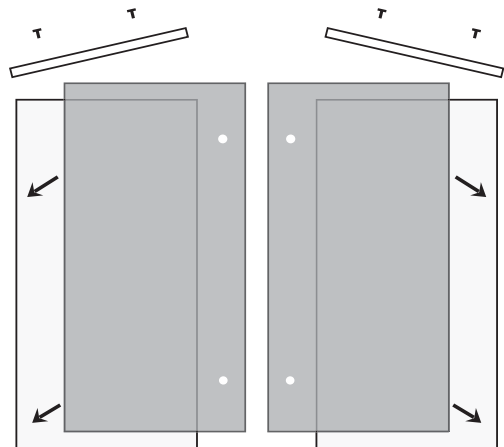


Freezer Door

Panel Installation

Tools required: Phillips screw driver

- Remove handle
- Remove top trim screws.
- Install panel and replace top trim and screws.
- Replace Handle



Refrigerator Door