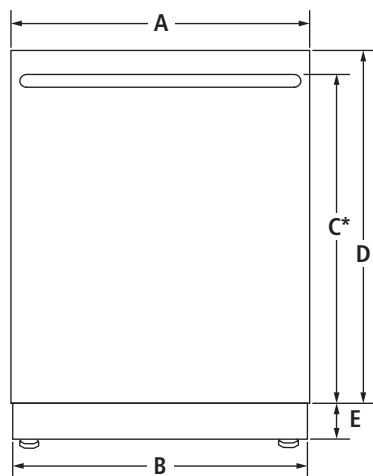


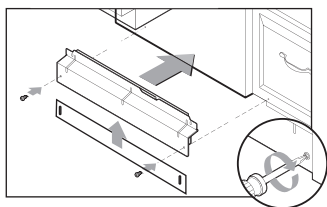
DISHWASHERS

JDB9800CW, JDB9200CW, JDB9000CW – 23¾" x 33⅞" x 26⅞" (including handle)

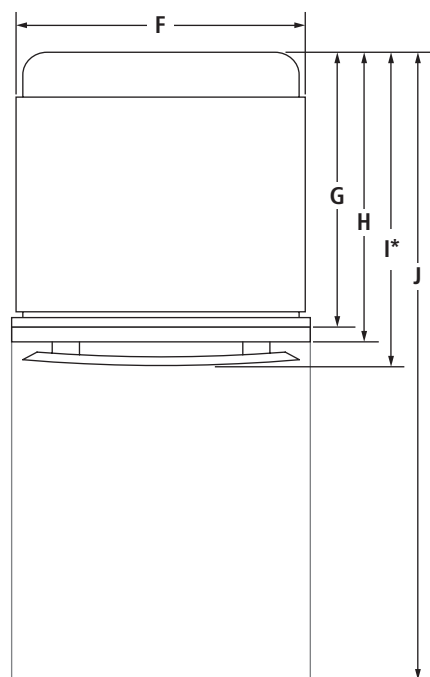
PRODUCT DIMENSIONS



FRONT VIEW



ADJUSTABLE TOE KICK



TOP VIEW

| MODEL # | | JDB9800CW JDB9200CW JDB9000CW | |
|-----------|---|-------------------------------------|--------------|
| | | in | cm |
| A | Width of door | 23½ | 59.7 |
| B | Width of toe kick | 23½ | 59.7 |
| C* | Height to top of handle Pro-Style® Stainless | 27⅞ | 70.8 |
| | Euro-Style (color-coordinating) | 27⅞ | 70.8 |
| | Floating Glass | 27⅞ | 70.8 |
| | Custom panel (¾"/1.9 cm) | * | * |
| D | Height of door Pro-Style® Stainless | 30 | 76.3 |
| | Euro-Style (color-coordinating) | 30 | 76.3 |
| | Floating Glass | 30 | 76.3 |
| | Custom panel (¾"/1.9 cm) | 27⅞ | 69.5 |
| E | Height of adjustable toe kick (min.-max.) | 3½- 4⅞ | 8.9- 10.5 |
| F | Width of recessed dishwasher | 23¾ | 60.4 |
| G | Depth with tub flange | 22⅝ | 57.4 |
| H | Depth with door Pro-Style® Stainless | 24⅝ | 62.6 |
| | Euro-Style (color-coordinating) | 24⅝ | 62.6 |
| | Floating Glass | 25 | 63.5 |
| | Custom panel (¾"/1.9 cm) | 24¾ | 63.0 |
| I* | Depth with handle Pro-Style® Stainless | 27⅞ | 70.8 |
| | Euro-Style (color-coordinating) | 26⅞ | 68.3 |
| | Floating Glass | 27⅞ | 70.8 |
| | Custom panel (¾"/1.9 cm) | * | * |
| J | Depth with door fully open | 49¾ | 126.3 |

*For custom panel models, this depends on handle chosen.

IMPORTANT: Dimensional specifications are provided for planning purposes only.

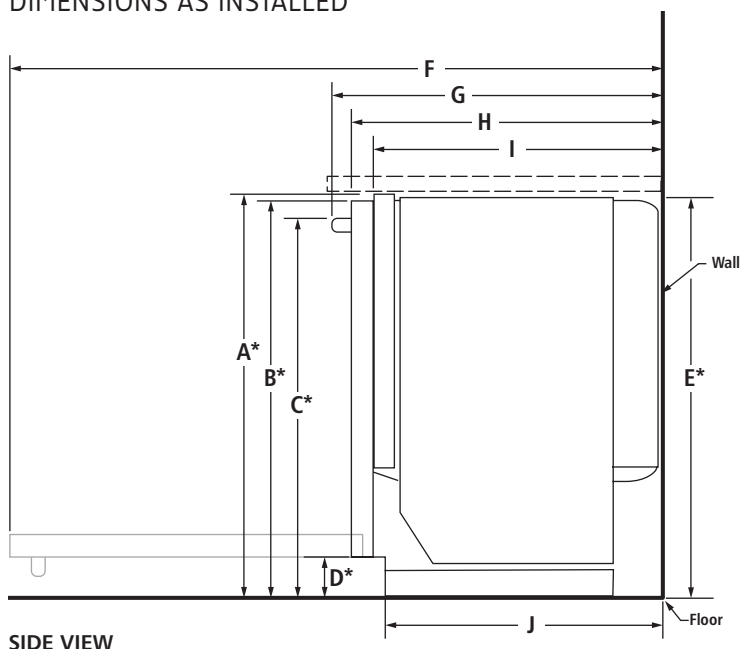
Do not make any cutouts based on this information. Refer to the Installation or Use & Care Guide before selecting cabinetry, verifying electrical/gas connections, making cutouts or beginning installation. All Jenn-Air® appliances are appropriately UL, CUL or CSA approved.



DISHWASHERS

JDB9800CW, JDB9200CW, JDB9000CW – 23¾" x 33⅞" x 26⅞" (including handle)

DIMENSIONS AS INSTALLED



SIDE VIEW

| MODEL # | | JDB9800CW JDB9200CW JDB9000CW | |
|---------|--|-------------------------------------|-------|
| | | in | cm |
| A* | Height to top of tub flange (min.) | 33⅞ | 86.0 |
| B* | Height to top of door (min.) | 33¾ | 85.7 |
| C* | Height to top of handle (min.) Pro-Style® Stainless | 31½ | 80.1 |
| | Euro-Style (color-coordinating) | 31½ | 80.1 |
| | Floating Glass | 31½ | 80.1 |
| | Custom panel (¾"/1.9 cm) | † | † |
| D* | Height to bottom of door | 3⅝ | 9.4 |
| E* | Height of recessed dishwasher (min.) | 33⅝ | 85.5 |
| F | Depth with door fully open (min.) | 49¾ | 126.3 |
| | Depth with handle (min.) Pro-Style® Stainless | 27⅞ | 70.8 |
| G | Euro-Style (color-coordinating) | 26⅞ | 68.3 |
| | Floating Glass | 27⅞ | 70.8 |
| | Custom panel (¾"/1.9 cm) | † | † |
| H | Depth with door (min.) | 24⅝ | 62.6 |
| I | Depth with tub flange (min.) | 22⅝ | 57.4 |
| J | Depth with toe kick (min.) | 20⅞ | 52.9 |

*With wheels removed. Add up to ⅝" (1.6 cm) to height with wheels and leg levelers fully extended.

†For custom panel models, this depends on handle chosen.

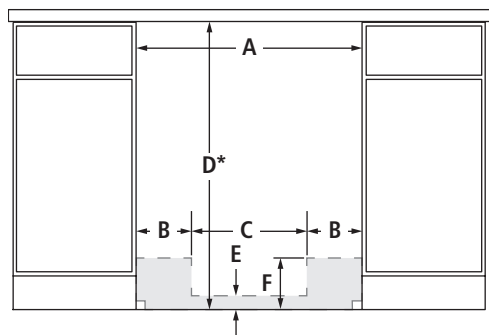
IMPORTANT: Dimensional specifications are provided for planning purposes only. Do not make any cutouts based on this information. Refer to the Installation or Use & Care Guide before selecting cabinetry, verifying electrical/gas connections, making cutouts or beginning installation. All Jenn-Air® appliances are appropriately UL, CUL or CSA approved.



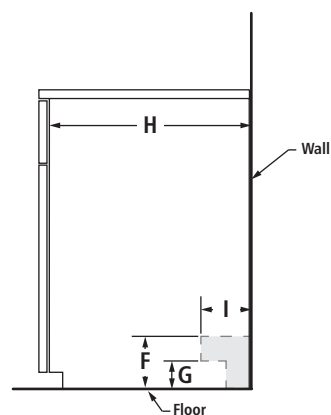
DISHWASHERS

JDB9800CW, JDB9200CW, JDB9000CW – 23¾" x 33⅞" x 26⅞" (including handle)

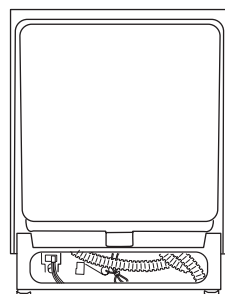
OPENING/CLEARANCE DIMENSIONS



FRONT VIEW



SIDE VIEW



BACK VIEW

| MODEL # | | JDB9800CW JDB9200CW JDB9000CW | |
|---------|---|-------------------------------------|------|
| | | in | cm |
| A | Width (min.) | 24 | 61.0 |
| B | Width of possible utility installation area (back wall) | 6¾ | 17.2 |
| C | Width of clear area (back wall) | 10½ | 26.7 |
| D* | Height with wheels removed (min.) | 33⅞ | 86.0 |
| E | Height of possible utility installation area (back wall) | 2½ | 6.4 |
| F | Height of possible utility installation area (back/side wall) | 6¼ | 15.9 |
| G | Height of clear area (side wall) | 3 | 7.6 |
| H | Depth (min.) | 24 | 61.0 |
| I | Depth of utility location (side wall) | 4 | 10.2 |

Electrical, water and drain connections may be installed in shaded areas

| | |
|---|------------------|
| Recommended drain connection location – closest to sink | 1½ dia. 3.8 dia. |
| Recommended electrical connection location – right-hand side or back wall | 1½ dia. 3.8 dia. |
| Recommended water connection location – left-hand side or back wall | ½ dia. 1.3 dia. |

*Measured from the lowest point on the underside of countertop.

ELECTRICAL REQUIREMENTS

120 volt, 60 Hz, AC only, 15- or 20-amp fused, grounded circuit is required. A dedicated circuit is recommended. Use an outlet that cannot be turned off by a switch. Do not use an extension cord.

WATER SUPPLY REQUIREMENTS

120°F (49°C) hot water supply with water pressure between 20 and 120 psi (138 and 862 kPa) is required. If you have questions about your water pressure, call a licensed, qualified plumber.

DRAIN REQUIREMENTS

Connect drain hose to waste tee or disposer inlet above drain trap. Maximum drain hose length 12' (3.7 m).

LOCATION REQUIREMENTS

Corner locations require a 2" (5.1 cm) minimum clearance between the side of the dishwasher door and the wall or cabinet.

IMPORTANT: Dimensional specifications are provided for planning purposes only.

Do not make any cutouts based on this information. Refer to the Installation or Use & Care Guide before selecting cabinetry, verifying electrical/gas connections, making cutouts or beginning installation. All Jenn-Air® appliances are appropriately UL, CUL or CSA approved.

