

Microwave Oven Owner's Manual

JMC8127DD/JMC8130DD

Installer: Please leave this manual with this appliance.

Consumer: Please read and keep this manual for future reference. Keep sales receipt and/or cancelled check as proof of purchase.

Model Number

Serial Number

Date of Purchase

In our continuing effort to improve the quality and performance of our appliances, it may be necessary to make changes to the appliance without revising this guide.

If you have questions, write us (include your model number and phone number) or call:

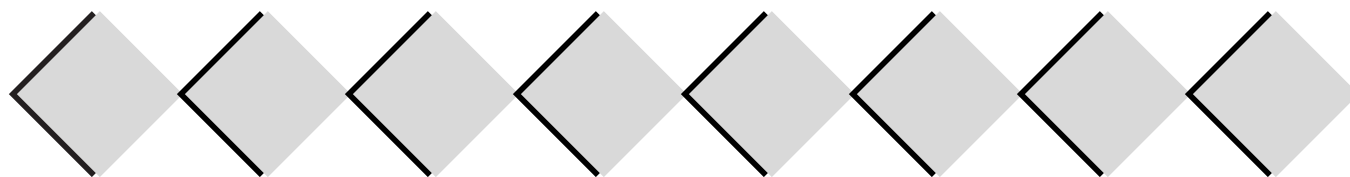
Maytag ServicesSM
Attn: CAIR[®] Center
P.O. Box 2370
Cleveland, TN 37320-2370
1-800-JENNAIR (1-800-536-6247)
U.S.A. and Canada
(Mon.-Fri., 8 am-8 pm Eastern Time)
Internet: <http://www.jennair.com>

Contents

Important Safety Instructions	2-4
Installation and Operation	5-6
Cooking Utensils	7
Features	8-9
Control Panel.....	10
Operating Instructions.....	11-15
Fresh Vegetable Chart.....	16
Care and Cleaning	17
Troubleshooting	18
Warranty	20
Guide de l'utilisateur.....	21
Guía del Usuario	41

Electric Microwave

**Keep instructions for future reference.
Be sure manual stays with oven.**



IMPORTANT SAFETY INSTRUCTIONS

What You Need to Know About Safety Instructions

Warning and Important Safety Instructions appearing in this manual are not meant to cover all possible conditions and situations that may occur. Common sense, caution, and care must be exercised when installing, maintaining, or operating a microwave.

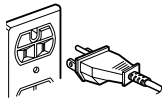
Always contact your dealer, distributor, service agent, or manufacturer about problems or conditions you do not understand.

WARNING

To avoid risk of electrical shock or death, this oven must be grounded and plug must not be altered.

Grounding Instructions

Oven **MUST** be grounded. Grounding reduces risk of electric shock



Recognize Safety Symbols, Words, Labels

DANGER

DANGER— Immediate hazards which **WILL** result in severe personal injury or death.

WARNING

WARNING— Hazards or unsafe practices which **COULD** result in severe personal injury or death.

CAUTION

CAUTION— Hazards or unsafe practices which **COULD** result in minor personal injury.

by providing an escape wire for the electric current if an electrical short occurs. This oven is equipped with a cord having a grounding wire with a grounding plug. The plug must be plugged into an outlet that is properly installed and grounded.

Consult a qualified electrician or servicer if grounding instructions are not completely understood, or if doubt exists as to whether the oven is properly grounded.

Do not use an extension cord. If the product power cord is too short, have a qualified electrician install a three-slot receptacle. This oven should be plugged into a separate 60 hertz circuit with the electrical rating as shown in specifications table. When the oven is on a circuit with other equipment, an increase in cooking times may be required and fuses can be blown.

Microwave operates on standard household current, 110-120V.

FEDERAL COMMUNICATIONS COMMISSION RADIO FREQUENCY INTERFERENCE STATEMENT (U.S.A. ONLY)

This equipment generates and uses ISM frequency energy and if not installed and used properly, that is in strict accordance with the manufacturer's instructions, may cause interference to radio and television reception. It has been type tested and found to comply with limits for ISM Equipment pursuant to part 18 of FCC Rules, which are designed to provide reasonable protection against such interference in a residential installation.

However, there is no guarantee that interference will not occur in a particular installation. If this equipment does cause interference to radio or television reception, which can be determined by turning the equipment off and on, the user is encouraged to try to correct the interference by one or more of the following:

- Reorient the receiving antenna of the radio or television.
- Relocate the microwave oven with respect to the receiver.
- Move the microwave oven away from the receiver.
- Plug the microwave oven into a different outlet so that the microwave oven and the receiver are on different branch circuits.

The manufacturer is not responsible for any radio or TV interference caused by **unauthorized modification** to this microwave oven. It is the responsibility of the user to correct such interference.

SAVE THESE INSTRUCTIONS

Recognize this symbol as a SAFETY message

WARNING

When using electrical microwave, basic safety precautions should be followed to reduce risk of burns, electric shock, fire, or injury to persons or exposure to excessive microwave energy.

1. **READ** all instructions before using the appliance.
2. **READ AND FOLLOW** the specific **PRECAUTIONS TO AVOID POSSIBLE EXPOSURE TO EXCESSIVE MICROWAVE ENERGY** in **IMPORTANT SAFETY INSTRUCTIONS**.
3. This appliance **MUST BE GROUNDED**. Connect only to properly grounded outlet. See **GROUNDING INSTRUCTIONS** in *Installation Instructions*.
4. Install or locate this appliance **ONLY** in accordance with the installation instructions.
5. Some products such as whole eggs and sealed containers—for example, closed glass jars—are able to explode and **SHOULD NOT** be **HEATED** in this oven.
6. Use this appliance **ONLY** for its intended use as described in this manual. Do not use corrosive chemicals or vapors in this appliance. This type of oven is specifically designed to heat, cook or dry food. It is not designed for industrial or laboratory use.
7. As with any appliance, **CLOSE SUPERVISION** is necessary when used by **CHILDREN** or **INFIRM PERSONS**.
8. See door cleaning instructions in the Care and Cleaning section of manual on page 17.
9. Baby food jars shall be open when heated and contents stirred or shaken before consumption, in order to avoid burns.
10. **DO NOT** use this oven for commercial purposes. It is made for household use only.
11. **DO NOT** heat baby bottles in oven.
12. **DO NOT** operate this equipment if it has a damaged cord or plug, if it is not working properly, or if it has been damaged or dropped.
13. This oven, including power cord, must be serviced **ONLY** by qualified service personnel. Contact the nearest authorized service facility for examination, repair, or adjustment.
14. **DO NOT** cover or block filter or other openings on the appliance.
15. **DO NOT** store this appliance outdoors. **DO NOT** use this product near water – for example, near a kitchen sink, in a wet basement, or near a swimming pool, or similar locations.
16. **DO NOT** immerse cord or plug in water.
17. Keep cord **AWAY** from **HEATED** surfaces.
18. **DO NOT** let cord hang over edge of table or counter.

PRECAUTIONS TO AVOID POSSIBLE EXPOSURE TO EXCESSIVE MICROWAVE ENERGY

- A. **DO NOT** attempt to operate this oven with the door open since open door operation can result in harmful exposure to microwave energy. It is important not to defeat or tamper with the safety interlocks.
- B. **DO NOT** place any object between the oven front face and the door or allow soil or cleaner residue to accumulate on sealing surfaces.
- C. **DO NOT** operate the oven if it is damaged. It is particularly important that oven door close properly and that there is no damage to:
 1. door (bent),
 2. hinges and latches (broken or loosened),
 3. door seals and sealing surfaces.
- D. Oven should not be adjusted or repaired by anyone except properly qualified service personnel.

SAVE THESE INSTRUCTIONS

IMPORTANT SAFETY INSTRUCTIONS, cont.

CAUTION

To avoid risk of personal injury or property damage, observe the following:

1. Do not deep fat fry in oven. Fat could overheat and be hazardous to handle.
2. Do not cook or reheat eggs in shell or with an unbroken yolk using microwave energy. Pressure may build up and erupt. Pierce yolk with fork or knife before cooking.
3. Pierce skin of potatoes, tomatoes and similar foods before cooking with microwave energy. When skin is pierced, steam escapes evenly.
4. Do not operate oven without load or food in oven cavity.
5. Use only popcorn in packages designed and labeled for microwave use. Popping time varies depending on oven wattage. Do not continue to heat after popping has stopped. Popcorn will scorch or burn. Do not leave unattended.
6. Do not use regular cooking thermometers in oven. Most cooking thermometers contain mercury and may cause an electrical arc, malfunction, or damage to oven.
7. Do not use metal utensils in oven.
8. Never use paper, plastic or other combustible materials that are not intended for cooking.
9. When cooking with paper, plastic or other combustible materials, follow manufacturer's recommendations for product use.
10. Do not use paper towels which contain nylon or other synthetic fibers. Heated synthetics could melt and cause paper to ignite.
11. Do not heat sealed containers or plastic bags in oven. Food or liquid could expand quickly and cause container or bag to break. Pierce or open container or bag before cooking.
12. To avoid pacemaker malfunction, consult physician or pacemaker manufacturer about effects of microwave energy on pacemaker.

CAUTION

To reduce the risk of fire in the oven cavity:

- a. **DO NOT** overcook food. Carefully attend appliance if paper, plastic, or other combustible materials are placed inside the oven to facilitate cooking.
- b. Remove wire twist-ties from paper or plastic bags before placing bag in oven.
- c. If materials inside the oven should ignite, **KEEP OVEN DOOR CLOSED**, turn oven off, and disconnect the power cord or shut off power at the fuse or circuit breaker panel.
- d. **DO NOT** use the cavity for storage purposes. **DO NOT** leave paper products, cooking utensils, or food in the cavity when not in use.

WARNING

Liquids such as water, coffee, or tea are able to be overheated beyond the boiling point without appearing to be boiling due to surface tension of the liquid. Visible bubbling or boiling when the container is removed from the microwave oven is not always present. **THIS COULD RESULT IN VERY HOT LIQUIDS SUDDENLY BOILING OVER WHEN A SPOON OR OTHER UTENSIL IS INSERTED INTO THE LIQUID.** To reduce the risk of injury to persons:

1. Do not overheat the liquid.
2. Stir the liquid both before and halfway through heating it.
3. Do not use straight-sided containers with narrow necks.
4. After heating, allow the container to stand in the microwave oven for a short time before removing the container.
5. Use extreme care when inserting a spoon or other utensil into the container.

SAVE THESE INSTRUCTIONS

Installation and Operation

CIRCUITS

For safety purposes this oven must be plugged into a 15 or 20 Amp circuit. No other electrical appliances or lighting circuits should be on this line. If in doubt, consult a licensed electrician.

VOLTAGE

The voltage used at the wall receptacle must be the same as specified on the oven name plate located inside oven door. Use of a higher voltage is dangerous and may result in a fire or other type of accident causing oven damage. Low voltage will cause slow cooking. In case your microwave oven does not perform normally in spite of proper voltage, remove and reinsert the plug.

UNPACKING OVEN

- Inspect oven for damage such as dents in door or inside oven cavity.
- Report any dents or breakage to source of purchase immediately. **Do not attempt to use oven if damaged.**
- Remove all materials from oven interior.
- If oven has been stored in extremely cold area, wait a few hours before connecting power.

PLACEMENT OF THE OVEN

Your microwave oven can be placed easily in your kitchen, family room, or anywhere else in your home. Place the oven on a flat surface such as a kitchen countertop or a specially designed microwave oven cart. Free air flow around the oven is important. Do not place oven above a gas or electric range or cooktop. Exposure to heat from a cooking surface will damage the microwave oven.

DO NOT BLOCK AIR VENTS

All air vents should be kept clear during cooking. If air vents are covered during oven operation the oven may overheat. In this case, a sensitive thermal safety device automatically turns the oven off. The oven will be inoperable until it has cooled sufficiently.

GETTING THE BEST RESULTS FROM YOUR MICROWAVE OVEN

Pay attention as food cooks. The instructions in this book have been formulated with great care, but your success in preparing food depends, of course, on how much attention you pay to the food as it cooks. Always watch your food while it cooks. Your microwave oven is equipped with a light that turns on automatically when the oven is in operation so that you can see inside and check the progress of your recipe. Directions given in recipes to elevate, stir, and the like should be thought of as the minimum steps recommended. If the food seems to be cooking unevenly, simply make the necessary adjustments you think appropriate to correct the problem.

Factors affecting cooking times. Many factors affect cooking times. The temperature of ingredients used in a recipe makes a big difference in cooking times. For example, a cake made with ice-cold butter, milk, and eggs will take considerably longer to bake than one made with ingredients that are at room temperature. All of the recipes in this book give a range of cooking times. In general, you will find that the food remains undercooked at the lower end of the time range, and you may sometimes want to cook your food beyond the maximum time given, according to personal preference. The governing philosophy of this book is that it is best

for a recipe to be conservative in giving cooking times. While undercooked food may always be cooked a bit more, overcooked food is ruined for good. Some of the recipes, particularly those for bread, cakes, and custard, recommend that food be removed from the oven when they are slightly undercooked. This is not a mistake. When allowed to stand, usually covered, these foods will continue to cook outside of the oven as the heat trapped within the outer portions of the foods gradually travels inward. If the foods are left in the oven until they are cooked all the way through, the outer portions will become overcooked or even burned.

As you gain experience in using your microwave oven, you will become increasingly skillful in estimating both cooking and standing times for various foods.

SPECIAL TECHNIQUES IN MICROWAVE COOKING

Browning: Meats and poultry that are cooked fifteen minutes or longer will brown lightly in their own fat. Foods that are cooked for a shorter period of time may be brushed with a browning sauce to achieve an appetizing color. The most commonly used browning sauces are Worcestershire sauce, soy sauce, and barbecue sauce. Since relatively small amounts of browning sauces are added to foods, the original flavor of recipes is not altered.

Covering: A cover traps heat and steam and causes food to cook more quickly. You may either use a lid or microwave cling-film with a corner folded back to prevent splitting.

Covering with waxed paper: Waxed paper effectively prevents spattering and helps food retain some heat. Since it makes a looser cover than a lid or cling-film, it allows the food to dry out slightly.

Installation and Operation, cont.

Wrapping in waxed paper or paper towel: Sandwiches and many other foods containing prebaked bread should be wrapped prior to microwaving to prevent drying out.

Arranging and spacing: Individual foods such as baked potatoes, small cakes, and hors d'oeuvres will heat more evenly if placed in the oven and equal distance apart, preferably in a circular pattern. Never stack foods on top of one another.

Stirring: Stirring is one of the most important of all microwaving techniques. In conventional cooking, foods are stirred for the purpose of blending. Microwaved foods, however, are stirred in order to spread and redistribute heat. Always stir from the outside towards the center as the outside food heats first.

Turning over: Large, tall foods such as roasts and whole chickens should be turned so that the top and bottom will cook evenly. It is also a good idea to turn cut up chicken and chops.

Placing thicker portions near the edge: Since microwaves are attracted to the outside portion of foods, it makes sense to place thicker portions of meat, poultry and fish to the outer edge of the baking dish. This way, thicker portions will receive the most microwave energy and the foods will cook evenly.

Elevating: Thick or dense foods are often elevated so that microwaves can be absorbed by the underside and center of the foods.

Piercing: Foods enclosed in a shell, skin, or membrane are likely to burst in the oven unless they are pierced prior to cooking. Such foods include both yolks and whites of eggs, clams and oysters, and many whole vegetables and fruits.

Testing if cooked: Because foods cook so quickly in a microwave oven, it is necessary to test food frequently. Some foods are left in the microwave until completely cooked, but most foods, including meats and poultry, are removed from the oven while still slightly undercooked and allowed to finish cooking during standing time. The internal temperature of foods will rise between 5° F (3° C) and 15° F (8° C) during standing time.

Standing time: Foods are often allowed to stand for 3 to 10 minutes after being removed from the microwave oven. Usually the foods are covered during standing time to retain heat unless they are supposed to be dry in texture (some cakes and biscuits, for example). Standing allows foods to finish cooking and also helps flavors to blend and develop.

HOW FOOD CHARACTERISTICS AFFECT MICROWAVE COOKING

Density of foods: Light, porous food like cakes and breads cook more quickly than heavy, dense foods such as roasts and casseroles. You must take care when microwaving porous foods that the outer edges do not become dry and brittle.

Height of foods: The upper portion of tall foods, particularly roasts, will cook more quickly than the lower portion. Therefore, it is wise to turn tall foods during cooking, sometimes several times.

Moisture content of foods: Since the heat generated from microwaves tends to evaporate moisture, relatively dry foods such as roasts and some vegetables should either be sprinkled with water prior to cooking or covered to retain moisture.

Bone and fat content of foods: Bones conduct heat and fat cooks more quickly than meat. Therefore, care must be taken when cooking bony or fatty cuts of meat that the meats do not cook unevenly and do not become overcooked.

NOTE: It is a common misconception that microwaves cook food from the inside out. This comes from heating filled pastries with a high sugar content, like jelly doughnuts. The pastry is cool but the filling is very hot! If you cook a chicken or a roast, you'll see the outside is cooked first.

Shape of foods: Microwaves penetrate only about 1 inch (2.5cm) into foods; the interior portion of thick foods is cooked as the heat generated on the outside travels inward. In other words, only the outer edge of any food is actually cooked by microwave energy; the rest is cooked by conduction.

It follows then that the worst possible shape for a food that is to be microwaved is a thick cube. The corners will burn long before the center is even warm. Round, thin, and ring shaped foods cook most successfully in the microwave.

Quantity of foods: The number of microwaves in your oven remains constant regardless of how much food is being cooked. Therefore, the more food you place in the oven, the longer the cooking time. Remember to decrease cooking times by at least one-third when halving a recipe.

CAUTION

To avoid risk of personal injury or property damage, do not use stoneware, aluminum foil, metal utensils, or metal trimmed utensils in the oven.

MICROWAVE-SAFE UTENSILS

Never use metal or metal-trimmed utensils in your microwave oven: Microwaves cannot penetrate metal. They will bounce off any metal object in the oven and cause arcing, an alarming phenomenon that resembles lightning. Most heat-resistant non-metallic cooking utensils are safe for use in your microwave oven. However, some may contain materials that render them unsuitable as microwave cookware. If you have any doubts about a particular utensil, there is a simple way to find out if it can be used in your microwave oven.

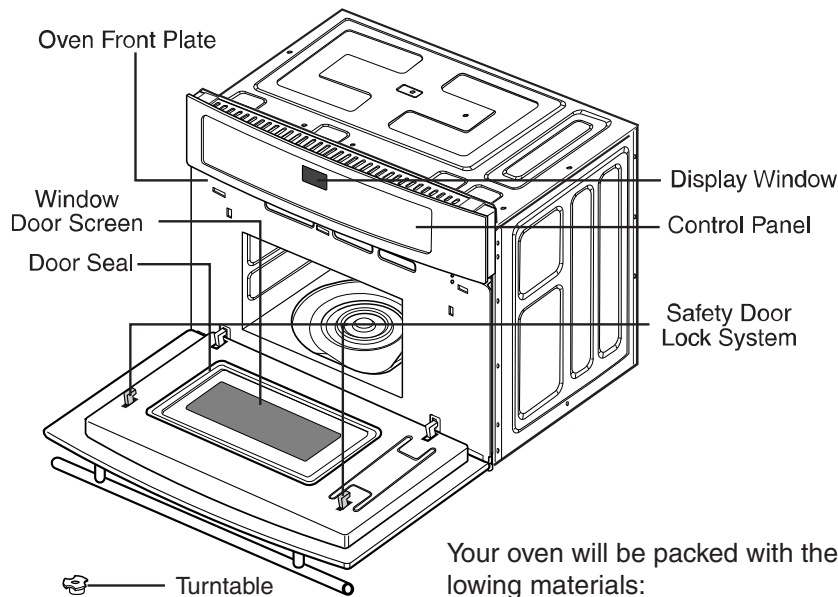
Testing utensils for microwave use: Place the utensil in question next to a glass bowl filled with water in the microwave oven. Microwave at power HIGH for 1 minute. If the water heats up but the utensil remains cool to the touch, the utensil is microwave-safe. However, if the water does not change temperature but the utensil becomes warm, microwaves are being absorbed by the utensil and it is not safe for use in the microwave oven. You probably have many items on hand in your kitchen that can be used as cooking equipment in your microwave oven.

Just read through the following checklist.

1. **Dinner plates:** Many kinds of dinnerware are microwave-safe. If in doubt, consult the manufacturer's literature or perform the microwave test.
2. **Glassware:** Glassware that is heat-resistant is microwave-safe. This includes all brands of oven-tempered glass cookware. However, do not use delicate glassware, such as tumblers or wine glasses, as these might shatter as the food warms.
3. **Paper: Paper plates and containers are convenient and safe to use in your microwave oven, provided the cooking time is short and foods to be cooked are low in fat and moisture.** Paper towels are also very useful for wrapping foods and for lining baking trays in which greasy foods, such as bacon, are cooked. In general, avoid colored paper products as the color may run.
4. **Plastic storage containers:** These can be used to hold foods that are to be quickly reheated. However, they should not be used to hold foods that will need considerable time in the oven as hot foods will eventually warp or melt plastic containers.
5. **Plastic cooking bags:** These are microwave-safe provided they are specially made for cooking. However, **be sure to make a slit in the bag** so that steam can escape. Never use ordinary plastic bags for cooking in your microwave oven, as they will melt and rupture.
6. **Plastic microwave cookware:** A variety of shapes and sizes of microwave cookware is available. For the most part, you can probably cook with items you already have on hand rather than investing in new kitchen equipment.
7. **Pottery, stoneware, and ceramic:** Containers made of these materials are usually fine for use in your microwave oven, but they should be tested to be sure.

Features

NOTE: This unit is not designed for 50 Hz or any circuit other than a 120-Volt/60 Hz AC circuit. This oven is designed for built-in installation. Specifications subject to change without notice.



Your oven will be packed with the following materials:

- Glass Turntable 1 each
- Owner's Manual 1 each
- Turntable Shaft 1 each
- Rotating Ring 1 each

This microwave oven is designed for household use only. It is not recommended for commercial purposes and will void the warranty.

OVEN SPECIFICATIONS JMC8127DD

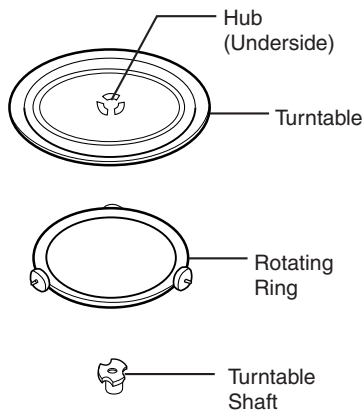
Power Source	120 VAC, 60 Hz
Input Current	13 A
Power Consumption	1,500 W
Output (IEC 60705 Standard)	1,000 W
Oven Capacity	1.5 cu.ft.
Turntable Diameter	12 ³ / ₄ "
Weight (approx.): Black/White/Bisque Stainless Steel	69.8 lbs. 71.8 lbs.
Outer Dimensions (W x H x D)	26 ³ / ₄ " x 23 ⁷ / ₁₆ " x 20 ³ / ₁₆ "

JMC8130DD

Power Source	120 VAC, 60 Hz
Input Current	13 A
Power Consumption	1,500 W
Output (IEC 60705 Standard)	1,000 W
Oven Capacity	1.5 cu.ft.
Turntable Diameter	12 ³ / ₄ "
Weight (approx.): Black/White/Bisque Stainless Steel	76.7 lbs. 78.7 lbs.
Outer Dimensions (W x H x D)	29 ³ / ₄ " x 23 ⁷ / ₁₆ " x 20 ³ / ₁₆ "

TURNTABLE INSTALLATION

1. Place the rotating ring on the cavity bottom.
2. Place the turntable on top of the rotating ring as shown in the diagram. Make sure the turntable hub is securely locked in the turntable shaft.

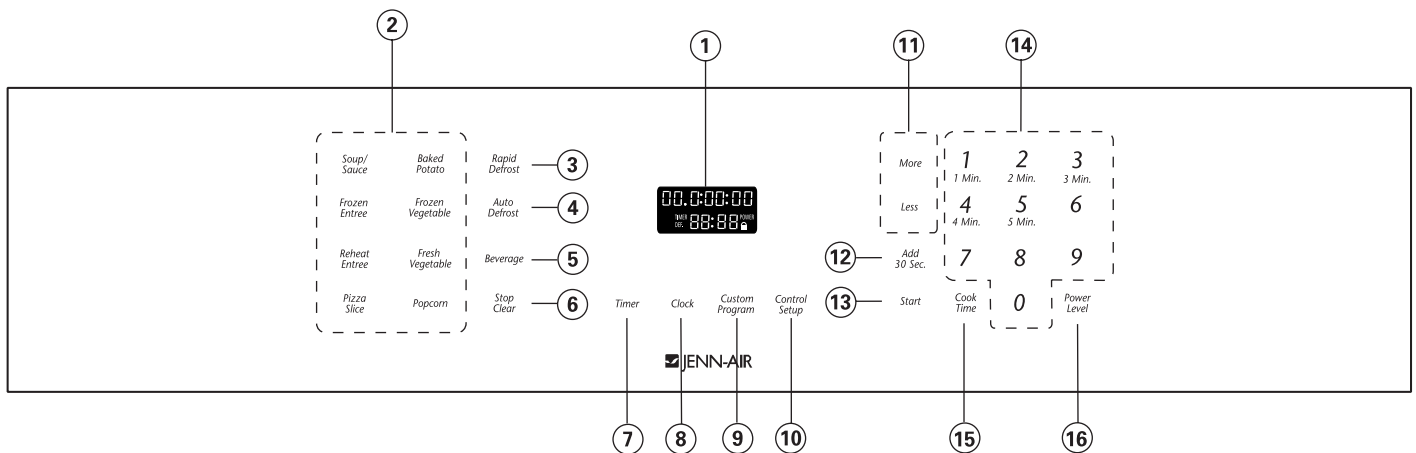


- Never place the turntable upside down. The turntable should never be restricted.
- Both turntable and rotating ring must always be used during cooking.
- All food and containers of food are always placed on the turntable for cooking.
- The turntable rotates clockwise and counter clockwise; this is normal.
- If turntable or rotating ring cracks or breaks, contact your nearest authorized service center for more information regarding replacement.

BUILT-IN INSTALLATION

- When installing a built-in oven, an opening is required:
27" microwave oven:
 $25\frac{1}{2} \pm \frac{1}{16}$ " (W) x $22\frac{1}{2} \pm \frac{1}{16}$ " (H)
x 23 $\frac{1}{2}$ min. (D)
30" microwave oven:
 $28\frac{1}{2} \pm \frac{1}{16}$ " (W) x $22\frac{1}{2} \pm \frac{1}{16}$ " (H)
x 23 $\frac{1}{2}$ min. (D)
- Blocking the intake and/or outlet opening can damage the oven.
- Plug oven into a standard 120-Volt/60 Hz household outlet. Be sure the electrical circuit is at least 15 amperes and that the microwave is the only appliance on the circuit.

Control Panel



1. Display window

Upper line: The word prompt scrolls to guide you when setting the clock and at every operating stage. It shows power level when using timed cooking.

Lower line: Counts down cooking time in minutes and/or seconds. Shows clock time when oven is not in use. Shows kitchen timer time when this feature is selected.

2. Auto Sensor Keypads (pgs. 13-14)

- Soup/Sauce
- Reheat Entree
- Frozen Entree
- Pizza Slice
- Popcorn
- Baked Potato
- Fresh Vegetable
- Frozen Vegetable

These Sensor keypads provide accurate and fast microwaving for a variety of popular foods with no guesswork.

3. Rapid Defrost (pg. 15)

Provides faster defrosting results. This option is excellent for thawing 1lb. of frozen ground beef.

4. Auto Defrost (pg. 15)

Provides thorough defrosting results.

5. Beverage (pg. 13)

This keypad heats one to three 8 oz. cups.

6. Stop/Clear

Clears all previous settings if pressed before cooking starts. Press once to stop oven during cooking, press twice to stop and clear all entries.

7. Timer (pg. 11)

8. Clock (pg. 11)

9. Custom Program (pg. 11)

10. Control Setup (pg. 13)

Allows the customization of the following oven feature settings.

- Sound
- Clock Display
- Display Scroll Speed
- Lbs/Kg
- Volume Level
- Language Option

11. More/Less (pg. 13)

12. Add 30 Sec. (pg. 11)

13. Start

To start cooking.

14. Number Keys

Allows for the immediate start of one of 5 preset times from 1 to 5 minutes.

15. Cook Time (pg. 12)

16. Power Level (pg. 12)

Operating Instructions

12-Hour CLOCK and TIMER

Oven is equipped with a 12-hour clock and a timer that can be set up to 99 minutes and 99 seconds. Clock does not display AM or PM.

To set clock:

- Stop Clear*
1. Touch **STOP CLEAR** pad.
- Clock*
2. Touch **CLOCK** pad.
 - **ENTER TIME OF DAY** scrolls through display.
 3. Enter desired time by using digit touch pads.
 - **TOUCH START** scrolls through display.
- Start*
4. Touch **START**.

To set timer:

- Stop Clear*
1. Touch **STOP CLEAR** pad.
- Timer*
2. Touch **TIMER** pad.
 - **ENTER TIME IN MIN. AND SEC.** scrolls through display.
 3. Enter desired time by using digit touch pads.
 - **TOUCH START** scrolls through display.
- Start*
4. Touch **START**.
 - To cancel timer at any time, press **STOP CLEAR** pad.

ADD 30 SEC.

A time-saving pad, this simplified control lets you quickly set and start microwave cooking without the need to touch **START**.

NOTE: If you touch **Add 30 Sec.**, it will add 30 seconds up to 9 minutes 59 seconds.

Example: To set for 2 minutes.

- Add 30 Sec.*
- Touch **Add 30 Sec.** 4 times. The oven begins cooking and display shows time counting down.

CHILD LOCK

This safety feature prevents unwanted oven operation. Once the child lock is set, no cooking can take place. The Child Lock feature is also useful when cleaning the control panel. Child Lock prevents accidental programming when wiping the control panel.

If the CHILD LOCK is set and you touch another cooking pad, the word **LOCKED** shows in the display. Cancel the child lock according to the procedure below.

To set the child lock:

- Stop Clear*
1. Touch **STOP CLEAR**.
- 0*
2. Touch and hold **0** pad until the word **LOCKED** appears in the display and two beeps are heard.

To cancel the child lock:

- 0*
- Touch and hold **0** pad until the word **LOCKED** disappears in the display.

After the CHILD LOCK is turned off, the oven will operate normally.

CUSTOM PROGRAM

CUSTOM PROGRAM lets you recall one cooking instruction previously placed in memory and begin cooking immediately

Example: To cook for 2 minutes at 60% power.

- Custom Program*
1. Touch **CUSTOM PROGRAM**. Display scrolls the words **TOUCH START OR ENTER NEW TIME**.

2. Enter cooking time. Display scrolls **TOUCH START OR POWER**.

- Power Level*
3. Touch **POWER LEVEL**. Display scrolls **ENTER POWER LEVEL 1 TO 10**.
 4. Enter power level **6**. Display scrolls **P60 TOUCH START**.

- Start*
5. Touch **START**.

To recall the custom program:

- Custom Program*
1. Touch **CUSTOM PROGRAM**. Display scrolls the words **TOUCH START OR ENTER NEW TIME**.
- Start*
2. Touch **START**.

Operating Instructions (cont'd)

COOK TIME

This function allows you to cook food for a desired amount of time. Because many foods need slower cooking (at less than HI-POWER), there are 10 power level settings in addition to HI-POWER.

When cooking is complete, beeps will sound. The word **COOKEND** shows in the display window. Then the oven shuts itself off.

NOTE: If you do not select the power level, the oven will operate at power HIGH. To set HI-POWER cooking, skip steps 4 and 5 below.

Example: To cook food on 80% Power (power 8) for 5 minutes 30 seconds.

Cook Time

1. Touch **COOK TIME** pad.
2. Touch number keys.
 - **ENTER COOKING TIME** scrolls through display.

5 3 0
5 Min. 3 Min.

3. Enter 5 minutes 30 seconds by touching [5], [3], and [0]. Display scrolls the words **5:30 TOUCH START OR POWER.**

Power Level

4. Touch **POWER LEVEL**. Display scrolls the words **ENTER POWER LEVEL 1 TO 10.**

8

5. Touch **8**.
To select power level 80%. Display scrolls the words **P-80 TOUCH START.**

Start

6. Touch **START**.

MICROWAVE POWER LEVEL CHART

Power Level	Use
10 (HIGH)	<ul style="list-style-type: none"> • Boiling water. • Making candy. • Cooking poultry pieces, fish and vegetables. • Cooking tender cuts of meat. • Whole poultry.
9	<ul style="list-style-type: none"> • Reheating rice, pasta and vegetables.
8	<ul style="list-style-type: none"> • Reheating prepared foods quickly. • Reheating sandwiches.
7	<ul style="list-style-type: none"> • Cooking egg, milk and cheese dishes. • Cooking cakes, breads. • Melting chocolate.
6	<ul style="list-style-type: none"> • Cooking veal. • Cooking whole fish. • Cooking puddings and custard.
5	<ul style="list-style-type: none"> • Cooking ham, whole poultry, lamb. • Cooking rib roast, sirloin tip.
4	<ul style="list-style-type: none"> • Thawing meat, poultry and seafood.
3	<ul style="list-style-type: none"> • Cooking less tender cuts of meat. • Cooking pork chops, roast.
2	<ul style="list-style-type: none"> • Taking chill out of fruit. • Softening butter.
1	<ul style="list-style-type: none"> • Keeping casseroles and main dishes warm. • Softening butter and cream cheese.
0	<ul style="list-style-type: none"> • Standing time. • Independent timer.

MULTI-STAGE TIME COOK

For Multi-Stage cooking, touch **COOK TIME** and repeat Cook Time steps 3-5 in previous section before touching the **START** pad.

Auto Defrost can be programmed before the first stage to defrost first and then cook.

MICROWAVE POWER LEVELS

Your microwave oven is equipped with eleven power levels to give you maximum flexibility and control over cooking. The table above will give you some idea of which foods are prepared at each of the various power levels.

MORE/LESS

By using the MORE or LESS keys, all of the **Cook time, Add 30 Sec., and Sensor Cook** programs can be adjusted to cook food for a longer or shorter time. Pressing MORE will add 10 seconds to the cooking time each time you press it. Pressing LESS will subtract 10 seconds of cooking time each time you press it. You must wait until the control display begins to count down before adding or subtracting time.

Example: To adjust the SENSOR COOK (ex. popcorn) cooking time for a longer time, or for a shorter time.

- Popcorn*
1. Touch **POPCORN**. Display scrolls the word **POPCORN**.
 2. Press the **MORE** or **LESS** pad during time countdown. **MORE** or **LESS** will not operate during display scrolling.

BEVERAGE

This pad heats beverages in 8 oz. cups.

Example: To heat two 8 oz. cups of coffee:

- Beverage*
1. Touch **BEVERAGE**. Display scrolls the words **BEV TOUCH 1 TO 3 CUPS**.

2. Touch number **2**. The oven will start automatically.

NOTE: Be careful, the beverage will be very hot. Sometimes liquids heated in cylindrical containers will splash out when the cup is moved.

CONTROL SET-UP

CONTROL SET-UP allows you to set the oven for your preferences.

You can select **SOUND ON/OFF, CLOCK ON/OFF, SCROLL SPEED, LBS/KG, VOLUME LEVEL** and **LANGUAGE OPTION**.

Example 1: To turn off Sound of beeper.

- Control Setup*
1. Touch **CONTROL SET-UP**. Four modes show in the display repeatedly.
 2. Touch **1**. Display scrolls the words **SOUND ON TOUCH 1 OFF TOUCH 2**.
 3. Touch **2**. Display scrolls the words **SOUND OFF**. The current time will be displayed.

NOTE: To turn beep sound back on, repeat steps 1 - 2 then touch number **1**.

Example 2: To select kg unit.

- Control Setup*
1. Touch **CONTROL SET-UP**. Four modes show

4. Display scrolls the words **LBS. TOUCH 1 KG TOUCH 2**.
2. Touch **4**. Display scrolls the words **LBS. TOUCH 1 KG TOUCH 2**.
3. Touch **2**. Display scrolls the words **KG**. The current time will be displayed.

NOTE: To select LBS., repeat steps 1-2 then, touch number **1**.

SENSOR COOK OPERATION INSTRUCTIONS

For most Sensor Cook programs, a chart with specific food examples and cooking instructions is provided on the next pages. The Sensor Cook system works by detecting a build-up of vapor.

Hints

1. Make sure the door remains closed.
2. Once the vapor is detected, two beeps will sound.
3. Opening the door or touching the **STOP CLEAR** pad before the vapor is detected will abort the process. The oven will stop.
4. Before using Sensor Cook, make sure the exterior of the cooking container and the interior of the oven are dry, to assure the best results.

cont.

CONTROL SET-UP FUNCTION CHART

NO	FUNCTION	CHOICE	REMARKS
1	SOUND ON / OFF	Sound On or Sound Off	All of the key sound and End of Cycle sound on or off.
2	CLOCK ON / OFF	Clock On or Clock Off	When clock is off nothing displays when oven is not in use.
3	SCROLL SPEED	Slow, Normal, or Fast	Control speed of message that scrolls across display.
4	LBS. / KG	Lbs or Kg	Set control to LBS. or KG for Auto Defrost.
5	VOLUME LEVEL	Low, Medium, High	Controls volume of key sound.
6	LANGUAGE OPTION	English, Spanish, French	Select language of message that scrolls across display.

NOTE: When the power cord is first plugged in, the default settings are Sound ON, Clock ON, Normal Speed, LBS, Medium Volume and English.

Operating Instructions (cont'd)

5. Room temperature should not exceed 95° F.
6. Oven should be plugged in at least 5 minutes before Sensor Cooking.

Categories: Soup/Sauce
Baked Potato
Frozen Entree
Frozen Vegetable
Reheat Entree
Fresh Vegetable
Pizza Slice
Popcorn

SENSOR COOK

SENSOR COOK allows you to cook most of your favorite foods without having to select cooking times and power levels. The oven automatically determines the cooking time for each food item. This feature has 8 food categories.

Example: To cook FROZEN ENTREE.

- Frozen Entree*
1. Touch **FROZEN ENTREE**. Display scrolls the words **FROZEN ENTREE** and the microwave automatically starts.

CAUTION

When popping popcorn:

- After popping, open bag carefully. Popcorn and steam are extremely hot.
- Do not reheat unpopped kernels or reuse bag. Overcooking can result in an oven fire.
- Never use a brown paper bag for popping corn.
- If you are using a microwave popcorn popper, follow manufacturer's instructions. Do not use Sensor Cook popcorn program.

SENSOR COOK CHART

Code	Category	Direction	Amount
1	Soup/Sauce	Cover soups with microwave-safe plastic wrap before heating. Turn back corner to vent 1/2 to 1 inch. Stir soups after heating. Use a microwave-safe bowl, dish or mug. Do not cover utensil with glass lid. Allow to stand in microwave one minute after cooking. Fill 1/2 to 2/3 full.	1.5 - 4 cups (12 - 32 ozs)
2	Baked Potato	Pierce each potato with a fork and place on the oven tray around the edge, at least one inch apart.	1 - 4 medium approx. 8 -10 ozs. each
3	Frozen Entree	Remove from outer display package. Slit cover. If not in microwave-safe container, place on plate, cover with plastic wrap and vent.	10 - 21 ozs.
4	Frozen Vegetable	Remove from package, rinse off frost under running water. Place in an appropriately-sized microwave container, cover with plastic wrap and vent.	1 - 4 cups
5	Reheat Entree	Arrange foods in center of plate or casserole and cover with plastic wrap and vent. Stir food after reheating. Food that cannot be stirred (e.g. lasagna) should be allowed to stand covered for approximately 5 minutes after reheating.	10 - 21 ozs. Entree, Casserole, Pasta, in sauce, etc.
6	Fresh Vegetable	Prepare as desired, wash, and leave residual water on the vegetables. Place in an appropriately-sized microwave container, cover with plastic wrap and vent.	1 - 4 cups
7	Pizza Slice	Pizza should be refrigerated but not frozen. Place precooked pizza on a paper towel or paper plate. Do not cover. Place pizza point toward center. CAUTION: Be careful when eating pizza heated in the microwave. The pizza surface and sauce can be very hot.	1 - 3 slices (3 - 5 ozs/slice)
8	Popcorn	Follow package directions. Bag should be at room temperature. Do not use this feature if popcorn bag size is other than 3.0 - 3.5 ozs.	3.0 - 3.5 ozs.

If you open the door or press STOP/CLEAR during sensing, the process will be canceled.

AUTO DEFROST

Three defrost sequences are preset in the oven. The defrost feature provides you with the best defrosting method for frozen foods. The AUTO DEFROST guide will show you which defrost sequence is recommended for the food you are defrosting.

With the Auto Defrost feature, the oven automatically sets the defrosting time and power levels for you.

The oven automatically determines required defrosting times for each food item according to the weight you enter.

For added convenience, the Auto Defrost includes a built-in beep mechanism that reminds you to check, turn over, separate, or rearrange. Three different defrosting levels are provided.

1 MEAT

2 POULTRY

3 FISH

- You can select the category by touching the numeric key **1** (MEAT), numeric key **2** (POULTRY), and numeric key **3** (FISH) after touching the **AUTO DEFROST** pad.
- Available weight is 0.1 - 6.0 lbs. (0.05 - 2.7 kgs).

Example: To defrost 1.2 lbs. of ground beef.

Auto Defrost

- Touch **AUTO DEFROST**. Display scrolls the words **MEAT TOUCH 1 POULTRY TOUCH 2 FISH TOUCH 3**.

1
1 Min.

- Touch **1**. Display scrolls the words **ENTER WEIGHT**.

1 2
1 Min. 2 Min.

Start

- Enter the weight by touching **1** and **2**. Display scrolls the words **1.2 LBS. TOUCH START**.
- Touch **START**. Defrosting starts.

NOTE:

When you touch the **START** pad, the display changes to defrost time count down. The oven will beep during the DEFROST cycle. At beep, open the door and turn, separate, or rearrange the food. Remove any portions that have thawed. Return frozen portions to the oven and touch **START** to resume the defrost cycle.

- For best results, remove fish, shellfish, meat, and poultry from its original closed paper or plastic package (wrapper). Otherwise, the wrap will hold steam and juice close to the foods, which can cause the outer surface of the foods to cook.

- For best results, shape your ground meat into the form of a doughnut before freezing. When defrosting, scrape off thawed meat when the beep sounds and continue defrosting.
- Place foods in a shallow container or on a microwave roasting rack to catch drippings.
- Food should still be somewhat icy in the center when removed from the oven.

RAPID DEFROST

This feature provides defrosting for 1.0 lb. frozen ground beef.

Rapid Defrost

- Touch **RAPID DEFROST**. The oven begins defrosting without the need to touch **START**.

AUTO DEFROST GUIDE

Sequence	Food
1 MEAT	BEEF Ground beef, Round steak, Cubes for stew, Tenderloin steak, Pot roast, Rib roast, Rump roast, Chuck roast, Hamburger patty. LAMB Chops (1 inch thick), Rolled roast PORK Chops (½ inch thick), Hot dogs, Spareribs, Country-style ribs. Rolled roast, Sausage. VEAL Cutlets (1 lb. ½ inch thick)
2 POULTRY	POULTRY Whole (under 4 lbs.), Cut-up, Breasts (boneless) CORNISH HENS Whole TURKEY Breast
3 FISH	FISH Fillets, Whole Steaks SHELLFISH Crab meat, Lobster tails, Shrimp, Scallops

Fresh Vegetable Chart

Vegetable	Amount	Cook time at HIGH (minutes)	Instructions	Standing Time
Artichokes (8 ozs. each)	2 medium 4 medium	5-8 10-12	Trim. Add 2 tsp. water and 2 tsp. lemon juice. Cover. Cook stem end up.	2-3 minutes
Asparagus, Fresh, spears	1 lb.	3-7	Wash and turn half of spears around. Add ½ cup water. Cover.	2-3 minutes
Beans, green and wax	1 lb.	7-10	Add ½ cup water in 1½ qt. casserole. Stir halfway through cooking.	2-3 minutes
Beets, Fresh	1 lb.	12-16	Add ½ cup water in 1½ qt. covered casserole. Rearrange halfway through cooking.	2-3 minutes
Broccoli, Fresh, spears	1 lb.	5-9	Place broccoli in baking dish. Add ½ cup water.	2-3 minutes
Cabbage, Fresh, chopped	1 lb.	5-7	Add ½ cup water in 1½ qt. covered casserole. Stir halfway through cooking.	2-3 minutes
Carrots, Fresh, sliced	2 cups	3-6	Add ¼ cup water in 1 qt. covered casserole. Stir halfway through cooking.	2-3 minutes
Cauliflower, Fresh, whole	1 lb.	6-10	Trim. Add ¼ cup water in 1 qt. covered casserole. Stir halfway through cooking.	2-3 minutes
Celery, Fresh, sliced	2 cups 4 cups	3-5 7-9	Slice. Add ½ cup water in 1½ qt. covered casserole.	2-3 minutes
Corn, Fresh	2 ears	5-8	Husk. Add 2 tsp water in 1½ qt. baking dish. Cover.	2-3 minutes
Mushrooms, Fresh, sliced	½ lb.	2-3½	Place mushrooms in 1½ qt. covered casserole.	2-3 minutes
Parsnips, Fresh, sliced	1 lb.	4-8	Add ½ cup water in 1½ qt. covered casserole.	2-3 minutes
Peas, Green, Fresh	4 cups	6-9	Add ½ cup water in 1½ qt. covered casserole. Stir halfway through cooking.	2-3 minutes
Sweet Potatoes, Whole Baking (6-8 ozs. each)	2 medium 4 medium	5-7 6-11	Pierce potatoes several times with fork.	2-3 minutes 2-3 minutes
White Potatoes, Whole Baking (6-8 ozs. each)	2 potatoes 4 potatoes	5-7 8-13	Pierce potatoes several times with fork.	2-3 minutes 2-3 minutes
Spinach, Fresh, leaf	1 lb.	5-7	Add ½ cup water in 2 qt. covered casserole.	2-3 minutes
Squash, Acorn or Butternut, Fresh	1 medium	6-8	Cut squash in half. Remove seeds. Place in 8x8-inch baking dish. Cover.	2-3 minutes
Zucchini, Fresh, sliced	1 lb.	5-8	Add ½ cup water in 1½ qt. covered casserole.	2-3 minutes
Zucchini, Fresh, whole	1 lb.	7-8	Pierce. Place on 2 paper towels. Turn zucchini over and rearrange halfway through cooking.	2-3 minutes

Care and Cleaning

CAUTION

To avoid risk of property damage, unplug the microwave oven or disconnect power at source by removing fuse or throwing circuit breaker.

Before cleaning the oven, unplug the power supply cord of the oven or open the oven door to prevent an accidental oven start.

Part	Description
Inside of the Oven	<ul style="list-style-type: none"> • Use a damp cloth to wipe out crumbs and spillovers. • It is important to keep the area between door and cavity front clean to assure a tight seal. • Remove greasy spatters with a sudsy cloth, then rinse and dry. • Do not use harsh detergent or abrasive cleaners.
Glass Tray and Rotating Ring	<ul style="list-style-type: none"> • The glass tray and rotating ring can be washed by hand or in the dishwasher. • Rinse and dry thoroughly.
Control Panel	<ul style="list-style-type: none"> • Wipe with a damp cloth followed immediately by a dry cloth. • The Child Lock feature is also useful when cleaning the control panel. Child Lock prevents accidental programming when wiping the control panel.
Door	<ul style="list-style-type: none"> • If steam accumulates inside or around the outside of the oven door, wipe the panel with a soft cloth. • This may occur when the microwave oven is operated under high humidity conditions and in no way indicates a malfunction of the unit.
Outside Oven Surface	<ul style="list-style-type: none"> • Wipe with a soft cloth and a mild detergent solution. Rinse and dry. Do not use harsh detergent or abrasive cleaners. • To prevent damage to the operating parts inside the oven, water should not be allowed to seep into the ventilation openings. <p>Stainless Steel</p> <ul style="list-style-type: none"> • DO NOT USE ANY CLEANING PRODUCT CONTAINING CHLORINE BLEACH. • ALWAYS WIPE WITH THE GRAIN WHEN CLEANING. • Daily Cleaning/Light Soil - Wipe with one of the following - soapy water, white vinegar/water solution, Formula 409 Glass and Surface Cleaner* or a similar glass cleaner - using a sponge or soft cloth. Rinse and dry. To polish and help prevent fingerprints, follow with Stainless Steel Magic Spray.* • Moderate/Heavy Soil- Wipe with one of the following - Bon Ami, Baking Soda or Soft Scrub* - using a damp sponge or soft cloth. Rinse and dry. Stubborn soils may be removed with a damp Scotch-Brite* pad; rub evenly with the grain. Rinse and dry. To restore luster and remove streaks, follow with Stainless Steel Magic Spray. • Discoloration - Using a damp sponge or soft cloth, wipe with Cameo Stainless Steel Cleaner*. Rinse immediately and dry. To remove streaks and restore luster, follow with Stainless Steel Magic Spray.

After cleaning the oven, be sure the rotating ring and glass tray are in the correct position. Press the STOP/CLEAR pad twice to reset any accidental key setting.

**Brand names for cleaning products are registered trademarks of the respective manufacturers.*

Troubleshooting

⚠ WARNING

To avoid risk of severe personal injury, electrical shock or death, do not remove outer case at any time. Only an authorized servicer should remove outer case.

BEFORE CALLING FOR SERVICE

Check the following list to be sure a service call is really necessary. A quick reference of this manual as well as reviewing additional information on items to check may prevent an unneeded service call.

Problem	Possible Causes
Oven will not start	<ul style="list-style-type: none"> • Electrical cord for oven is not plugged in. <ul style="list-style-type: none"> -Plug into the outlet. • Door is open. <ul style="list-style-type: none"> -Close the door, open, and try again. • Wrong operation is set. <ul style="list-style-type: none"> -Check operation instructions.
Arcing or sparking	<ul style="list-style-type: none"> • Materials to be avoided in microwave oven are used. <ul style="list-style-type: none"> -Use microwave-safe cookware only. • The oven is operated when empty. <ul style="list-style-type: none"> -Do not operate with oven empty. • Food soils remain in the cavity. <ul style="list-style-type: none"> -Clean cavity with wet towel.
Uneven cooking or poor defrosting	<ul style="list-style-type: none"> • Materials to be avoided in microwave oven are used. <ul style="list-style-type: none"> -Use microwave-safe cookware only. • Cooking time/Cooking power level is not suitable. <ul style="list-style-type: none"> -Use correct time/Cooking power level. • Food is not turned or stirred. <ul style="list-style-type: none"> -Turn or stir food.
Overcooked foods	<ul style="list-style-type: none"> • Cooking time/Cooking power level is not suitable. <ul style="list-style-type: none"> -Use correct time/Cooking power level.
Undercooked foods	<ul style="list-style-type: none"> • Materials to be avoided in microwave oven are used. <ul style="list-style-type: none"> -Use microwave-safe cookware only. • Food is not defrosted completely. <ul style="list-style-type: none"> -Completely defrost food. • Oven ventilation ports are restricted. <ul style="list-style-type: none"> -Check to see that oven ventilation ports are not restricted. • Cooking time/Cooking power level is not suitable. <ul style="list-style-type: none"> -Use correct time/Cooking power level.

ALL THESE THINGS ARE NORMAL

- Dull thumping sound during oven operation.
- Steam or vapor escaping from around the door.
- Light reflection around door or outer wrapper.
- Dimming oven light and change in blower sound during oven operation at power levels other than high.
- Some radio and TV interference might occur during operations. It is similar to the interference caused by other small appliances such as mixers, blow dryer, etc.

Warranty

Full Two Year Warranty

For two (2) years from the date of original retail purchase, any part which fails in normal home use will be repaired or replaced free of charge when carried into an authorized servicer.

Limited Parts Warranty

After the second year from the date of original retail purchase through the fifth year, the following parts which fail in normal home use will be repaired or replaced free of charge for the part itself when carried into an authorized servicer, with the owner paying all other costs, including labor, when the appliance is located in the United States or Canada: (1) touch pad and microprocessor, (2) Magnetron tube.

Limited Parts Warranty Outside the United States and Canada

For one (1) year from the date of original retail purchase, any part which fails in normal home use will be repaired or replaced free of charge for the part itself when carried into an authorized servicer, with the owner paying all other costs, including labor, when the appliance is located outside the United States or Canada.

Canadian Residents

This warranty covers only those appliances installed in Canada that have been listed with Canadian Standards Association unless the appliances are brought into Canada due to transfer or residence from the United States to Canada.

What is not covered by these warranties

- Replacement of household fuses, resetting of circuit breakers, or correction to household wiring or plumbing.
- Normal product maintenance and cleaning, including light bulbs.
- Products with original serial numbers removed, altered, or not readily determined.
- Products purchased for commercial, industrial, rental, or leased use.
- Products located outside of the United States or Canada.
- Premium service charges, if the servicer is requested to perform service in addition to normal service or outside normal service hours or area.
- Adjustments after the second year.
- Repairs resulting from the following:
 - Improper installation, exhaust system, or maintenance.
 - Any modification, alteration, or adjustment not authorized by Jenn-Air.
 - Accident, misuse, abuse, fire, flood, or acts of nature.
 - Connections to improper electrical current, voltage supply, or gas supply.
 - Use of improper pans, containers, or accessories that cause damage to the product.
- Travel.

If you need service

- Call the dealer from whom your appliance was purchased or call Maytag ServicesSM, Maytag Customer Assistance at 1-800-JENNAIR (1-800-536-6247), USA and Canada to locate an authorized servicer.
- Be sure to retain proof of purchase to verify warranty status. Refer to WARRANTY for further information on owner's responsibilities for warranty service.
- If the dealer or service company cannot resolve the problem, write to Maytag ServicesSM, Attn: CAIR[®] Center, P.O. Box 2370, Cleveland, TN 37320-2370, or call **1-800-JENNAIR (1-800-536-6247)** USA and Canada.
U.S. customers using TTY for deaf, hearing impaired or speech impaired, call 1-800-688-2080.
NOTE: When writing or calling about a service problem, please include the following information:
 - a. Your name, address and telephone number;
 - b. Model number and serial number;
 - c. Name and address of your dealer or servicer;
 - d. A clear description of the problem you are having;
 - e. Proof of purchase (sales receipt).
- User's guides, service manuals and parts information are available from Maytag ServicesSM, Jenn-Air Customer Assistance.

IN NO EVENT SHALL MAYTAG BE LIABLE FOR INCIDENTAL OR CONSEQUENTIAL DAMAGES.

This warranty gives you specific legal rights, and you may have others which vary from state to state. For example, some states do not allow the exclusion or limitation of incidental or consequential damages, so this exclusion may not apply to you.

Four à micro-ondes

Guide de l'utilisateur

JMC8127DD/JMC8130DD

Installateur : Remettre ce manuel au propriétaire.

Consommateur : Lire le manuel et le conserver comme référence. Conserver la facture d'achat ou le chèque encaissé comme preuve de l'achat.

Numéro de modèle

Numéro de série

Date d'achat

Dans le cadre de nos pratiques d'amélioration constante de la qualité et de la performance de nos appareils, des modifications de l'appareil qui ne sont pas mentionnées dans ce manuel ont pu être introduites.

Pour toute question, nous écrire ou nous contacter (indiquer le numéro de modèle et le numéro de téléphone), à :

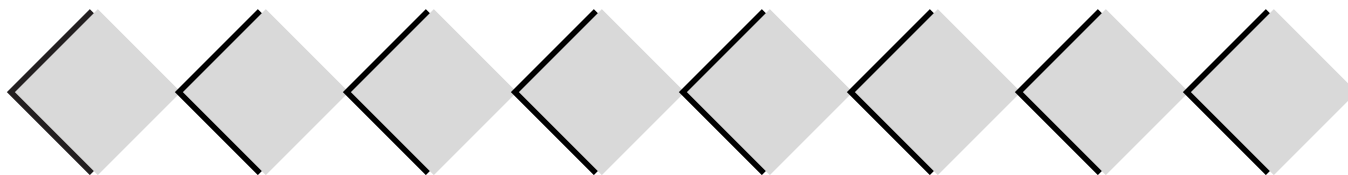
Maytag ServicesSM
Attn: CAIR[®] Center
P.O. Box 2370
Cleveland, TN 37320-2370
1-800-JENNAIR (1-800-536-6247)
É.-U. et Canada
(Lundi au vendredi, 8 h à 20 h –
heure de l'Est)
Site Internet : <http://www.jennair.com>

Table des matières

Instructions de sécurité importantes	22-24
Installation et utilisation	25-26
Ustensiles de cuisine.	27
Caractéristiques	28-29
Tableau de commande	30
Instructions d'utilisation.	31-36
Tableau de cuisson - Légumes frais.	37
Nettoyage et Entretien.	38
Guide de dépannage.	39
Garantie	40
Guía del Usuario.	41

Four à micro-ondes

**Conservez ces instructions comme références.
Ce manuel doit être rangé près du four.**



INSTRUCTIONS DE SÉCURITÉ IMPORTANTES

Ce que vous devez savoir sur les instructions de sécurité

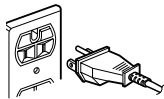
Les instructions de sécurité importantes et les avertissements paraissant dans ce manuel ne sont pas destinés à couvrir toutes les situations et conditions éventuelles qui peuvent se présenter. Il faut faire preuve de bon sens et de prudence lors de l'installation, de l'entretien ou de l'utilisation d'un four à micro-ondes.

Prenez toujours contact avec votre détaillant, distributeur, agent de service ou fabricant, au sujet de problèmes ou conditions que vous ne comprenez pas.

AVERTISSEMENT

Pour éviter tout risque de choc électrique ou même de mort, ce four doit être mis à la terre et sa fiche ne doit pas être modifiée.

Instructions de liaison à la terre



Il FAUT que ce four soit relié à la terre.
La liaison à la terre permet l'évacuation

Reconnaissez les étiquettes, phrases ou symboles sur le sécurité

DANGER

DANGER — risques immédiats qui RÉSULTERONT en de graves blessures ou même la mort.

AVERTISSEMENT

AVERTISSEMENT — risques ou pratiques non sûres, qui POURRAIENT résulter en de graves blessures ou même la mort.

ATTENTION

ATTENTION — risques ou pratiques non sûres qui POURRAIENT résulter en blessures mineures.

du courant vers la terre, ce qui réduit le risque de choc électrique. Ce four est doté d'un cordon avec fiche de branchement à trois broches, pour liaison à la terre. On doit brancher la fiche sur une prise de courant convenablement installée et reliée à la terre.

En cas de non-compréhension des instructions de liaison à la terre ou en cas d'incertitude quant à la qualité de la liaison à la terre de l'appareil, consulter un technicien ou électricien qualifié.

Ne pas utiliser de rallonge électrique.

Si le cordon de l'appareil est trop court, faire installer une prise de courant à 3 alvéoles. Ce four doit être branché sur un circuit indépendant de 60 hertz aux caractéristiques nominales indiquées dans le tableau des spécifications. Si le four est branché sur le même circuit qu'un autre équipement, il pourrait en résulter une augmentation des durées de cuisson avec risque que les fusibles ne grillent.

Le four à micro-ondes fonctionne sur un courant domestique standard de 110-120 volts.

ÉNONCÉ SUR LES INTERFÉRENCES AVEC LES FRÉQUENCES RADIO – COMMISSION FÉDÉRALE DES COMMUNICATIONS (É.-U. SEULEMENT)

Ce four à micro-ondes génère de l'énergie à des fréquences élevées; s'il n'est pas installé et utilisé correctement, c'est-à-dire en stricte conformité avec les instructions du fabricant, le four peut susciter des interférences perturbant la réception des ondes de radio et télévision. Cet appareil a été testé et il a été trouvé conforme aux limites imposées par les spécifications de la partie 18 des règlements de la Commission Fédérale des Communications (FCC) – portant sur les équipements ISM, et qui sont conçus pour offrir une protection raisonnable à de telles interférences dans une installation résidentielle.

Cependant, il n'y a aucune garantie qu'aucune interférence ne se produira dans une installation en particulier. Si cet équipement n'entraîne pas d'interférence avec la réception des ondes de radio et de télévision (effet qui peut être diagnostiqué par l'arrêt puis la mise en marche de l'équipement), l'utilisateur est encouragé à essayer de corriger la situation au moyen d'une ou de plusieurs des mesures suivantes :

- Réorienter l'antenne de réception de télévision ou de radio.
- Modifier la position du four à micro-ondes par rapport au récepteur de radio ou de télévision.
- Éloigner le four à micro-ondes du récepteur.
- Brancher le four à micro-ondes dans une prise différente de sorte que le four à micro-ondes et le récepteur soient alimentés par des circuits différents.

Le fabricant n'est pas responsable des interférences aux ondes de radio et de télévision causées par une **modification non-autorisée** du four à micro-ondes. Il revient à l'utilisateur d'éliminer de telles interférences.

CONSERVEZ CES INSTRUCTIONS

Reconnaissez ce symbole annonçant un message sur la SÉCURITÉ

AVERTISSEMENT

Lors de l'utilisation d'appareils électriques, des précautions de sécurité de base doivent être suivies pour réduire le risque de brûlure, choc électrique, incendie ou blessure ainsi que le risque d'exposition excessive à l'énergie des micro-ondes.

1. **LIRE** la totalité des instructions avant d'utiliser l'appareil.
2. **LIRE ET RESPECTER** les instructions spécifiques **PRÉCAUTIONS À OBSERVER POUR ÉVITER UNE EXPOSITION EXCESSIVE À L'ÉNERGIE DES MICRO-ONDES** dans les **INSTRUCTIONS DE SÉCURITÉ IMPORTANTES**.
3. Cet appareil **DOIT ÊTRE RELIÉ À LA TERRE**. Brancher l'appareil uniquement dans une prise de courant convenablement reliée à la terre. Voir les **INSTRUCTIONS DE LIAISON À LA TERRE** dans la section *Instructions pour le Installation*.
4. Installer cet appareil **UNIQUEMENT** conformément aux instructions d'installation fournies dans ce manuel.
5. Certains produits, comme œufs entiers et contenants scellés, par exemple bocaux fermés, peuvent exploser. **II NE FAUT PAS** les faire **CHAUFFER** dans ce four.
6. Utiliser cet appareil **UNIQUEMENT** dans les applications prévues dans ce manuel. Ne pas utiliser dans cet appareil un produit émetteur de vapeur ou composé chimique corrosif. Ce type de four est spécifiquement conçu pour les opérations de chauffage, cuisson ou dessiccation d'aliments. Il n'est pas conçu pour une utilisation industrielle ou de laboratoire.
7. Comme pour tout appareil ménager, il est nécessaire de **SUPERVISER ÉTROITEMENT** les **ENFANTS** et les **PERSONNES HANDICAPÉES** lors de l'utilisation de l'appareil.
8. Voir les instructions pour le nettoyage de la porte dans la section *Entretien et nettoyage* à la page 38 de ce manuel.
9. Les petits pots pour bébé doivent être ouverts lorsqu'ils sont chauffés au four à micro-ondes, et leur contenu mélangé ou agité avant d'être consommé, pour éviter toute brûlure.
10. **NE PAS** utiliser ce four pour des applications commerciales. Il est conçu uniquement pour une utilisation domestique.
11. **NE PAS faire réchauffer de biberons dans le four.**
12. **NE PAS** faire fonctionner ce four si le cordon ou la fiche de branchement ont été endommagés, s'il ne fonctionne pas correctement ou s'il a subi des dommages ou une chute.
13. **SEUL** un technicien est habilité à exécuter des travaux d'entretien sur ce four. Prendre contact avec l'établissement de service agréé le plus proche pour permettre l'inspection, la réparation ou le réglage.
14. **NE PAS** recouvrir ou obstruer un filtre ou une ouverture de l'appareil.
15. **NE PAS** remiser cet appareil à l'extérieur. **NE PAS** l'utiliser à proximité d'eau, par exemple près d'un évier de cuisine, dans un sous-sol humide ou à proximité d'une piscine ou endroit semblable.
16. **NE PAS** immerger le cordon ou la fiche de branchement dans de l'eau.
17. Maintenir le cordon d'alimentation **À DISTANCE** de toute surface **CHAUFFÉE**.
18. **NE PAS** laisser le cordon d'alimentation pendre sur le rebord d'une table ou d'un plan de travail.

PRÉCAUTIONS À OBSERVER POUR ÉVITER UNE EXPOSITION EXCESSIVE À L'ÉNERGIE DES MICRO-ONDES

- A. **NE PAS** tenter de faire fonctionner ce four lorsque la porte est ouverte; le fonctionnement du four lorsque la porte est ouverte pourrait susciter une exposition dangereuse à l'énergie des micro-ondes. Il est important de ne pas circonvier ou modifier les dispositifs d'interverrouillage de sécurité.
- B. Veiller à **NE** placer **AUCUN** objet entre la face avant du four et la porte, et à ne pas laisser des souillures ou résidus de produits de nettoyage s'accumuler sur les surfaces de contact porte/châssis.
- C. **NE PAS** faire fonctionner le four s'il est endommagé. Il est particulièrement important que la porte du four puisse fermer parfaitement et qu'il n'y ait aucune détérioration de :
 1. porte (déformation),
 2. charnières et loquets (brisés ou desserrés),
 3. joints de porte et surfaces de contact.
- D. Seul un personnel qualifié est habilité à exécuter des réglages ou réparations sur le four à micro-ondes.

CONSERVEZ CES INSTRUCTIONS

INSTRUCTIONS DE SÉCURITÉ IMPORTANTES

ATTENTION

Pour éviter blessures ou dommages matériels, observer les précautions suivantes :

1. Ne pas faire frire à grande friture dans le four à micro-ondes. La graisse pourrait surchauffer et présenter un risque à manipuler.
2. Ne pas faire cuire ou réchauffer des oeufs dans leur coquille ou avec un jaune entier dans un four à micro-ondes. La pression pourrait s'accumuler et faire exploser l'œuf. Percer le jaune d'œuf à l'aide d'une fourchette ou d'un couteau avant de le faire cuire.
3. Percer la peau des pommes de terre, tomates et aliments semblables avant de les faire cuire au four à micro-ondes. Lorsque la peau est percée, la vapeur s'échappe uniformément.
4. Ne pas faire fonctionner le four sans aliment présent dans la cavité.
5. N'utiliser que du maïs à éclater dans des emballages prévus pour être utilisés dans un four à micro-ondes. La durée de préparation varie selon la puissance du four. Ne pas continuer à chauffer si l'éclatement du maïs est terminé. Le maïs risquerait de brûler ou de se ratatiner. Ne pas laisser le four sans surveillance.
6. Ne pas utiliser de thermomètre à cuisson standard dans le four à micro-ondes. La plupart des thermomètres contiennent du mercure, ce qui peut entraîner la formation d'un arc électrique, le mauvais fonctionnement ou encore l'endommagement du four.
7. Ne pas utiliser d'ustensile métallique dans le four.
8. Ne pas utiliser de papier, plastique ou autres matériaux combustibles non prévus pour la cuisson.
9. Lors de la cuisson avec du papier, plastique ou autres matériaux combustibles, suivre les recommandations du fabricant sur l'utilisation du produit.
10. Ne pas utiliser de papier essuie-tout qui contient du nylon ou autres fibres synthétiques. Les matériaux synthétiques chauffés pourraient fondre et faire s'enflammer le papier.
11. Ne pas faire chauffer dans le four de sac plastique ou contenant fermé. Le liquide ou l'aliment pourrait se dilater rapidement et faire casser le sachet ou le contenant. Percer ou ouvrir le contenant ou le sachet avant de le faire chauffer aux micro-ondes.
12. Pour éviter le mauvais fonctionnement d'un stimulateur cardiaque, consulter un médecin ou le fabricant de ce stimulateur pour connaître les effets potentiels de l'énergie des micro-ondes sur celui-ci.

ATTENTION

Pour réduire le risque de feu dans la cavité du four :

- a. **NE PAS** cuire excessivement un aliment. Surveiller attentivement l'appareil si on a placé un article en papier, plastique ou autre matériau combustible dans la cavité pour faciliter la cuisson.
- b. Enlever les attaches métalliques des sachets en papier ou en plastique avant de les placer dans le four.
- c. Advenant l'inflammation d'un article à l'intérieur du four, **MAINTENIR LA PORTE FERMÉE**, arrêter le four et débrancher le cordon d'alimentation, ou interrompre l'alimentation du circuit au niveau du tableau de fusibles ou de disjoncteurs.
- d. **NE RIEN** remiser dans la cavité du four. **NE PAS** placer des produits en papier, aliments ou ustensiles de cuisson dans la cavité du four lorsqu'il n'est pas utilisé.

AVERTISSEMENT

Les liquides comme eau, café ou thé peuvent surchauffer au-delà du point d'ébullition sans paraître bouillir, en raison de la tension superficielle du liquide. Lorsque le contenant est retiré du four à micro-ondes, il n'y a pas toujours présence d'ébullition ou de bulles visibles. **CECI PEUT ENTRAÎNER L'ÉBULLITION SOUDAINE ET LA PROJECTION DE LIQUIDES TRÈS CHAUDS LORSQU'UNE CUIL-LÈRE OU AUTRE USTENSILE EST PLACÉ DANS LE LIQUIDE.** Pour réduire le risque de blessures :

1. Ne pas surchauffer le liquide.
2. Remuer le liquide avant de le faire chauffer et au milieu du temps de chauffage.
3. Ne pas utiliser de contenants à côtés rectilignes avec goulots étroits.
4. Après le chauffage, prévoir un temps d'attente et laisser le contenant dans le four à micro-ondes avant de l'en retirer.
5. User de prudence en mettant une cuillère ou autre ustensile dans le contenant.

CONSERVEZ CES INSTRUCTIONS

CIRCUITS

Pour la sécurité des utilisateurs, il faut que ce four soit branché sur un circuit de 15 A ou 20 A qui n'alimente aucun autre appareil ou luminaire. En cas de doute, consulter un électricien professionnel.

TENSION

La tension disponible sur la prise de courant murale doit être identique à celle qui est spécifiée sur la plaque signalétique de l'appareil (à l'intérieur de la porte). L'utilisation d'une source de tension plus élevée est dangereuse et peut provoquer un incendie ou autre type d'accident provoquant des dommages matériels. Une tension plus basse augmentera la durée de cuisson nécessaire. S'il semble que la performance du four n'est pas adéquate alors que la tension d'alimentation est correcte, débrancher puis rebrancher la fiche.

DÉBALLAGE DU FOUR

- Inspecter le four; identifier tout dommage éventuellement survenu en cours de transport, et affectant la porte ou la cavité interne du four.
- Signaler immédiatement toute détérioration du four au commerçant qui l'a vendu. **Ne pas tenter d'utiliser le four s'il est endommagé.**
- Retirer tous les matériaux et articles placés à l'intérieur du four.
- Si le four a été stocké en un lieu très froid, attendre quelques heures avant de le brancher.

EMPLACEMENT D'INSTALLATION DU FOUR

On peut installer le four à micro-ondes dans une cuisine, dans une salle d'activités familiales ou partout ailleurs dans une résidence. Placer le four sur une surface plane, comme un plan de travail dans une cuisine, un support ou un chariot spécialement conçu pour le four à micro-ondes. Ne pas placer le four au-dessus d'une cuisinière électrique ou à gaz. L'exposition à la chaleur émanant d'une surface de cuisson endommagera le four.

NE PAS OBSTRUER LES OUVERTURES DE VENTILATION

Veiller à ce que les ouvertures de ventilation ne puissent jamais être obstruées pendant une période de cuisson; ceci pourrait faire subir un échauffement excessif aux composants du four; si ceci se produit, un dispositif de sécurité sensible à la température déclenche automatiquement l'arrêt du four. Le four ne pourra ensuite fonctionner que lorsqu'il se sera suffisamment refroidi.

OBTENTION DES MEILLEURS RÉSULTATS

Il faut surveiller la cuisson. Les instructions présentées dans ce manuel ont été élaborées avec soin; cependant, le succès dans la préparation des aliments dépendra bien sûr de l'attention portée par l'utilisateur aux aliments soumis à la cuisson. On doit toujours surveiller les aliments durant la cuisson. Le four à micro-ondes est doté d'une lampe qui s'allume automatiquement lors de la mise en marche du four; l'intérieur du four est ainsi visible et on peut observer visuellement l'évolution de la cuisson en cours. Les instructions présentées dans les recettes pour remuer, séparer et retourner les morceaux, etc. doivent être considérées comme un minimum recommandé. Si la cuisson des aliments semble ne pas être uniforme, il suffira d'introduire les ajustements nécessaires et appropriés pour corriger la situation.

Facteurs affectant la durée de cuisson. De nombreux facteurs affectent la durée d'une opération de cuisson. La température initiale des ingrédients a une influence importante. Par exemple, il faudra plus de temps pour effectuer la cuisson d'un gâteau préparé à partir de beurre, de lait et d'œufs à une température proche de zéro degré Celsius que si ce gâteau avait été préparé à l'aide d'ingrédients à la température de la pièce. Dans toutes les recettes présentées dans ce manuel, on indique une plage de durée de cuisson. On constatera généralement que lors de l'emploi de la durée de cuisson minimum, la cuisson du mets est légèrement insuffisante, et on souhaitera parfois poursuivre la cuisson au-delà de la durée maximum indiquée, selon les préférences personnelles. Pour la rédaction

de ce manuel, on a adopté une philosophie plutôt conservatrice à l'égard des durées de cuisson. Il est toujours possible de poursuivre la cuisson d'un mets dont la cuisson se révèle être légèrement insuffisante, tandis qu'il n'est pas possible de corriger le résultat si on a employé une durée de cuisson trop longue. Dans certaines recettes, particulièrement celles concernant pains, gâteaux et entremets, on recommande de retirer le mets du four alors que la cuisson n'est pas tout à fait terminée. Ce n'est pas une erreur. La cuisson de ces mets se poursuit (sous couvercle) à l'extérieur du four durant une période d'attente avant le service alors que la chaleur générée dans les couches externes du mets se propage progressivement vers l'intérieur. Si on poursuivait la cuisson du mets dans le four jusqu'à ce que la partie centrale soit totalement cuite, les parties externes seraient excessivement cuites, et même brûlées.

Les utilisateurs du four acquerront progressivement de l'expérience et pourront ainsi estimer avec de plus en plus de précision la durée de cuisson et la durée de la période d'attente, nécessaires pour divers mets.

TECHNIQUES SPÉCIALES DE CUISSON AUX MICRO-ONDES

Brunissage : Lors de la cuisson d'une pièce de viande ou de volaille durant quinze minutes ou plus, on observe un léger brunissage suscité par la graisse présente dans l'aliment. Pour un mets qui sera soumis à une période de cuisson plus brève, il peut être utile d'effectuer un badiage avec une sauce de brunissage pour obtenir la couleur désirée. On utilise fréquemment comme sauces de brunissage des produits comme sauce Worcestershire, sauce au soja et sauce à barbecue. Il suffit d'ajouter une quantité relativement peu importante de sauce de brunissage, qui ne modifie pas la saveur normale du mets.

Recouvrement : L'emploi d'un couvercle sur l'ustensile utilisé pour la cuisson permet de retenir la chaleur et la vapeur; ceci réduit la durée de cuisson nécessaire. On peut utiliser un couvercle ou un film en plastique pour micro-ondes (retourner un angle pour éviter la rupture).

Installation et Operation (suite)

Recouvrement de papier paraffiné : Une feuille de papier paraffiné retient efficacement les projections, et contribue à la rétention de la chaleur. Comme le papier paraffiné ne produit pas une fermeture étanche du récipient, on observera un léger assèchement du mets.

Enveloppement dans du papier paraffiné ou dans un essuie-tout : Pour éviter un assèchement, on devrait envelopper avant le réchauffage aux micro-ondes les sandwiches et de nombreux autres aliments contenant du pain précuit.

Répartition et espacement : On obtiendra une cuisson plus uniforme d'aliments comme pommes de terre, petits gâteaux et hors-d'œuvre si on les répartit uniformément dans le four, de préférence en cercle. Ne jamais empiler les aliments les uns sur les autres.

Remuage : Le remuage est la technique la plus importante pour la cuisson au four à micro-ondes. Dans le cadre de la cuisson conventionnelle, on remue les aliments dans un ustensile pour les mélanger. Cependant dans le cas de la cuisson au four à micro-ondes, on remue les aliments pour favoriser la distribution uniforme de la chaleur. On doit toujours remuer de l'extérieur vers le centre (les aliments situés à la périphérie du récipient s'échauffent davantage).

Retournement : On doit retourner les aliments de grande taille comme rôti ou poulet entier pour obtenir une cuisson uniforme des deux faces. Il est également conseillé de retourner des côtelettes et des morceaux de poulet.

Orientation des morceaux – partie épaisse vers l'extérieur : L'énergie des micro-ondes est d'abord absorbée par les aliments situés à la périphérie; il est donc utile de placer à la périphérie du plat les parties épaisses des pièces de viande, volailles et poissons. Ainsi, les parties épaisses recevront la plus grande partie de l'énergie des micro-ondes, et on obtiendra une cuisson plus uniforme.

Élévation : On pratique souvent l'élévation d'un aliment épais ou dense, afin que les micro-ondes puissent être plus facilement absorbées par la face inférieure et dans la partie centrale du mets.

Perçage : Un aliment enfermé dans une coquille ou une peau ou enveloppe pelliculaire risque fort d'éclater ou d'exploser dans le four, c'est pourquoi on perce la peau avec une fourchette avant d'entreprendre la cuisson. Il s'agit d'aliments comme jaune d'œuf et blanc d'œuf, pétoncles et huîtres, et de nombreux légumes et fruits entiers.

Test de l'avancement de la cuisson : Comme un four à micro-ondes cuit les aliments très rapidement, on doit fréquemment vérifier l'avancement de la cuisson. On laisse certains aliments dans le four à micro-ondes jusqu'à ce qu'ils soient complètement cuits.

Cependant on doit retirer du four la plupart des aliments, dont les viandes et volailles, alors que la cuisson n'est pas tout à fait terminée; la cuisson se poursuivra durant la période d'attente prévue avant le service. La température interne d'un aliment peut augmenter de 3° C (5° F) à 8° C (15° F) durant la période d'attente.

Période d'attente : On prévoit souvent une période d'attente de 3 à 10 minutes avant de retirer un mets du four à micro-ondes. Usuellement le mets reste couvert durant cette période d'attente, pour la répartition de la chaleur, sauf si le mets doit avoir une texture sèche (certains gâteaux et biscuits par exemple). La période d'attente permet l'achèvement de la cuisson et favorise également le mixage des saveurs.

CARACTÉRISTIQUES AFFECTANT LA CUISSON DES ALIMENTS

Densité des aliments : On observe une cuisson plus rapide pour des aliments légers et poreux comme gâteaux et pains, par comparaison aux aliments denses comme rôtis et mets en sauce. Lors de la cuisson d'un aliment poreux, veiller à ce que les parties externes ne deviennent pas sèches et friables.

Hauteur d'accumulation : La portion supérieure d'un mets relativement haut – particulièrement un rôti – a tendance à cuire plus rapidement que la partie inférieure. Il est par conséquent utile de retourner cet aliment plusieurs fois pendant la cuisson.

Teneur en eau des aliments : Comme la chaleur générée par l'énergie des micro-

ondes absorbées par les aliments a tendance à provoquer l'évaporation de l'eau interne, on doit légèrement arroser d'eau avant la cuisson un mets relativement sec – comme rôti ou certains légumes – ou bien procéder à la cuisson sous couvert pour retenir l'humidité.

Quantités d'os et de graisse : Les os sont bons conducteurs de la chaleur, et la graisse cuit plus rapidement que la viande. Par conséquent, on doit surveiller attentivement la cuisson d'une pièce de viande osseuse ou grasseuse pour éviter une cuisson non uniforme ou excessive.

REMARQUE : Beaucoup de personnes pensent à tort que la cuisson aux micro-ondes se développe à partir de l'intérieur du mets. Ceci provient sans doute de l'expérience de la cuisson de pâtisseries avec garniture à teneur en sucre élevée, comme les beignets avec garnissage central de confiture; la pâtisserie reste froide alors que la garniture est très chaude! Cependant lors de la cuisson d'un poulet ou d'un rôti, on constatera que la cuisson progresse de l'extérieur vers l'intérieur.

Forme des aliments : Les micro-ondes ne pénètrent que d'environ 2,5 cm (1 po) dans les aliments; la cuisson de la partie interne d'un aliment sera due à la diffusion vers l'intérieur de la chaleur générée dans la partie externe. En d'autres mots, l'énergie des micro-ondes ne provoque la cuisson que de la partie externe d'un mets, quel qu'il soit; le reste du mets est cuit par conduction thermique.

C'est pourquoi la formation d'un cube avec les aliments produit la plus mauvaise configuration de cuisson. Les angles du cube seront brûlés bien avant que la zone centrale se soit réchauffée. On réussit plus facilement une cuisson aux micro-ondes avec des aliments en morceaux ronds, minces ou en anneau.

Quantité d'aliments : La quantité d'énergie générée sous forme de micro-ondes dans le four est constante, quelle que soit la quantité d'aliments qu'on y a placée. Par conséquent la durée de la période de cuisson sera d'autant plus longue que la quantité d'aliments placée dans le four sera plus élevée. Lorsqu'on divise par deux les quantités d'une recette, on doit réduire la durée de cuisson d'au moins un tiers.

ATTENTION

Pour éviter tout risque de dommages matériels ou corporels, ne pas placer dans le four des articles comme les suivants : vaisselle ou ustensile en grès, feuille d'aluminium, ustensile métallique ou ustensile avec garniture métallique.

USTENSILES COMPATIBLES AVEC LES MICRO-ONDES

Ne jamais utiliser dans le four à micro-ondes un ustensile métallique ou comportant une garniture métallique : Les micro-ondes ne peuvent pénétrer un métal; le métal réfléchit les micro-ondes et ceci peut provoquer la formation d'arcs dans le four (phénomène ressemblant à un éclair). On peut utiliser en toute sécurité dans le four à micro-ondes la plupart des ustensiles de cuisine non métalliques résistants à la chaleur. Cependant certains ustensiles peuvent comporter des matériaux qui empêchent leur utilisation dans un four à micro-ondes. En cas de doute, un test simple permet de déterminer la compatibilité d'un ustensile particulier.

Test d'un ustensile pour l'utilisation dans un four à micro-ondes : Placer l'ustensile à tester dans le four à micro-ondes à côté d'un récipient rempli d'eau. Commander une période de chauffage de 1 minute au niveau de puissance HIGH (ÉLEVÉ). Si l'ustensile reste froid tandis que l'eau s'échauffe, on peut utiliser l'ustensile dans le four à micro-ondes. Cependant si l'eau s'échauffe peu tandis que l'ustensile s'échauffe, c'est que l'ustensile absorbe l'énergie des micro-ondes; on ne peut donc l'utiliser dans le four à micro-ondes. On dispose probablement dans toute cuisine de divers ustensiles utilisables pour la cuisson aux micro-ondes.

Il suffit de noter les remarques suivantes :

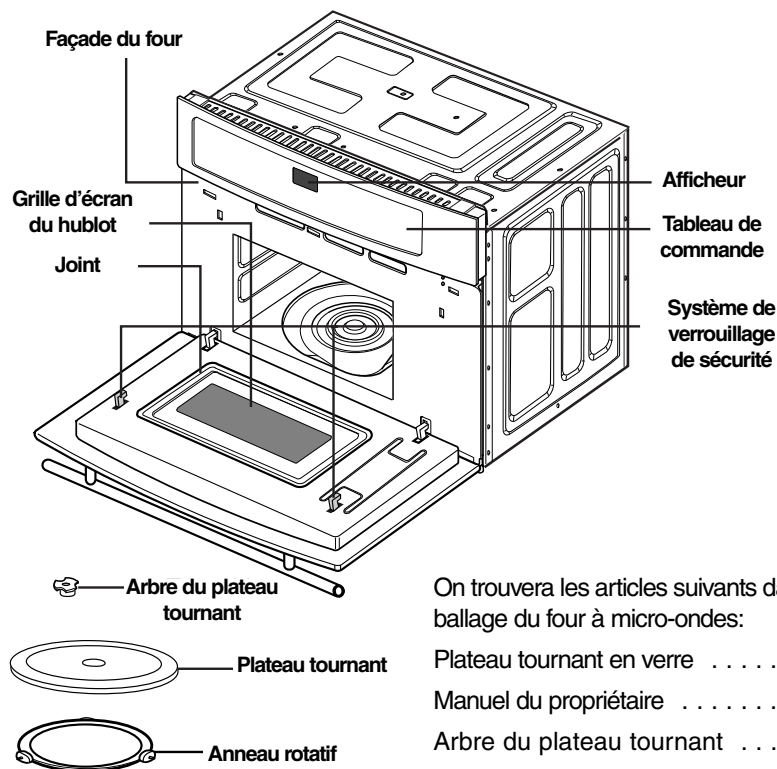
1. **Grande assiette plate :** De nombreux types de vaisselle sont utilisables dans un four à micro-ondes. En cas de doute, consulter l'information fournie par le fabricant ou exécuter le test décrit ci-dessus.
2. **Ustensile en verre :** Les ustensiles en verre résistants à la chaleur sont utilisables dans un four à micro-ondes. Ceci inclut les articles en verre trempé de toutes les marques. Cependant on ne doit pas utiliser des articles en verre délicats – comme gobelets ou verres à vin – qui peuvent se briser sous l'effet d'un choc thermique.
3. **Papier : Les récipients et assiettes en papier sont pratiques; on peut les utiliser dans un four micro-ondes, si la durée de cuisson est brève et si les aliments à cuire contiennent peu de graisse et d'humidité.** Les essuie-tout en papier sont très pratiques pour envelopper des aliments et pour le garnissage d'un récipient dans lequel on cuira des aliments gras, comme du bacon. On doit généralement éviter d'employer des articles en papier coloré, dont la coloration risque de n'être pas stable.
4. **Récipients de stockage en plastique:** On peut utiliser ces récipients pour le

réchauffage rapide des aliments qu'ils contiennent. Cependant, on ne devrait pas utiliser ces articles pour une période de cuisson assez longue, car la chaleur transférée par les aliments suscitera généralement la déformation et même la fusion du matériau plastique.

5. **Sachets de cuisson en plastique :** Il s'agit de produits spécialement conçus pour la cuisson aux micro-ondes. Cependant, **on doit veiller à entailler le sachet** pour que la vapeur générée durant la cuisson puisse s'échapper. Ne jamais utiliser pour une cuisson aux micro-ondes un sachet en plastique ordinaire, qui se briserait ou pourrait fondre.
6. **Ustensiles en plastique pour micro-ondes :** Les ustensiles en plastique pour micro-ondes sont disponibles en un grand choix de formes et tailles. En général on peut probablement effectuer des cuissons dans des articles qu'on possède déjà; il n'est pas nécessaire d'investir dans de nouveaux ustensiles de cuisine.
7. **Poterie, grès et céramique :** Les ustensiles fait en ces matériaux sont généralement utilisables dans un four à micro-ondes; on doit cependant effectuer le test décrit précédemment pour confirmer la compatibilité.

Caractéristiques

REMARQUE : Cet appareil n'est pas conçu pour une utilisation à 50 Hz ou pour un circuit autre que 120 V CA, 60 Hz. Ce four est conçu pour être encastré. Les spécifications sont sujettes à changement sans préavis.



On trouvera les articles suivants dans l'emballage du four à micro-ondes:

- Plateau tournant en verre 1
- Manuel du propriétaire 1
- Arbre du plateau tournant 1
- Anneau rotatif 1

Ce four à micro-ondes est conçu uniquement pour l'utilisation ménagère. La garantie ne sera pas honorée s'il est utilisé dans une application commerciale.

SPÉCIFICATIONS DU FOUR JMC8127DD

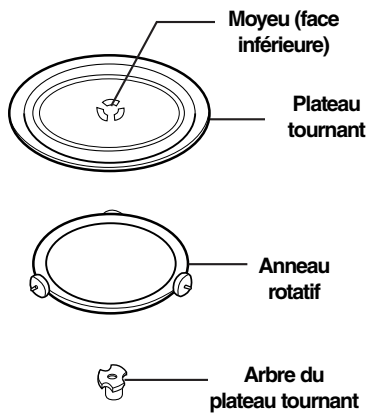
Alimentation électrique	120 VCA, 60 Hz
Courant à l'entrée	13 A
Consommation d'énergie	1 500 W
Puissance de cuisson (norme IEC 60705)	1 000 W
Capacité du four	0,042 m ³ (1,5 pi ³)
Diamètre du plateau tournant	32,4 cm (12 ³ / ₄ po)
Poids net (approx.):	
Noir/blanc/bisque	31,7 kg (69,8 lb)
Acier inoxydable	32,6 kg (71,8 lb)
Dimensions externes (Largeur x Hauteur x Profondeur)	68,0 cm (26 ³ / ₄ po) x 59,5 cm (23 ⁷ / ₁₆ po) x 51,3 cm (20 ³ / ₁₆ po)

JMC8130DD

Alimentation électrique	120 VCA, 60 Hz
Courant à l'entrée	13 A
Consommation d'énergie	1 500 W
Puissance de cuisson (norme IEC 60705)	1 000 W
Capacité du four	0,042 m ³ (1,5 pi ³)
Diamètre du plateau tournant	32,4 cm (12 ³ / ₄ po)
Poids net (approx.):	
Noir/blanc/bisque	34,8 kg (76,7 lb)
Acier inoxydable	35,7 kg (78,7 lb)
Dimensions externes (Largeur x Hauteur x Profondeur)	75,6 cm (29 ³ / ₄ po) x 59,5 cm (23 ⁷ / ₁₆ po) x 51,3 cm (20 ³ / ₁₆ po)

INSTALLATION DU PLATEAU TOURNANT

1. Placer l'anneau rotatif au fond de la cavité.
2. Placer le plateau tournant sur l'anneau rotatif tel qu'il est illustré. S'assurer que le moyeu du plateau tournant est bien emboîté dans l'arbre du plateau tournant.

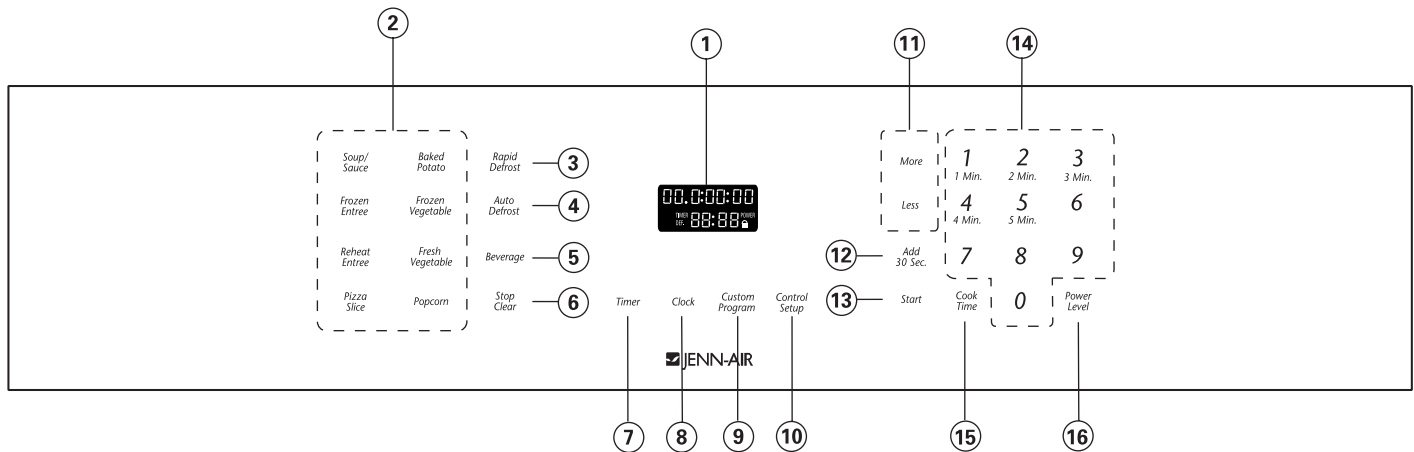


- Ne jamais placer le plateau tournant à l'envers. La rotation du plateau tournant ne doit jamais être restreinte.
- Le plateau tournant et l'anneau rotatif doivent toujours être utilisés pendant la cuisson.
- Tous les aliments et les ustensiles contenant des aliments sont toujours déposés sur le plateau tournant pour la cuisson.
- Le plateau tournant tourne dans le sens horaire et dans le sens antihoraire; ceci est normal.
- Si le plateau tournant ou l'anneau rotatif se fendille ou se brise, prendre contact avec l'agence de service agréée la plus proche pour plus d'informations au sujet du remplacement.

INSTALLATION D'UN FOUR ENCASTRÉ

- Lors de l'installation d'un four encastré, prévoir une ouverture de :
Four à micro-ondes de 68,6 cm (27 po):
64,77 ± 0,16 cm (L) x 57,15 ± 0,16 cm (H) x 59,69 cm min. (P)
[25½ ± ¼ po (L) x 22½ ± ¼ po (H) x 23½ min. (P)]
Four à micro-ondes de 76,2 cm (30 po):
72,39 ± 0,16 cm (L) x 57,15 ± 0,16 cm (H) x 59,69 cm min. (P)
[28½ ± ¼ po (L) x 22½ ± ¼ po (H) x 23½ min. (P)]
- Le blocage de l'entrée ou de la sortie d'air peut endommager le four.
- Brancher le four dans une prise de courant domestique standard de 120 volts/60 Hz. S'assurer que le circuit est d'au moins 15 A et que le four à micro-ondes est le seul appareil branché sur ce circuit.

Tableau de Commande



1. Afficheur

Ligne du haut : Un message défile pour vous guider lors du réglage de l'horloge et à toutes les étapes de l'opération. Affiche le niveau de puissance pendant la cuisson minutée.

Ligne du bas : Affiche le décompte de la durée de cuisson en minutes ou secondes. Affiche l'heure lorsque le four n'est pas utilisé. Affiche l'heure de la minuterie lorsque cette fonction est sélectionnée.

2. Touches de cuisson avec capteur automatique (pages 34 à 35)

- Soup/Sauce (Soupe / sauce)
- Reheat Entree (Réchauffage des mets préparés)
- Frozen Entree (Mets préparés surgelés)
- Pizza Slice (Part de pizza)
- Popcorn (Maïs à éclater)
- Baked Potato (Pomme de terre au four)
- Fresh Vegetable (Légumes frais)
- Frozen Vegetable (Légumes surgelés)

Ces touches servant à commander la cuisson avec capteur automatique donnent une cuisson aux micro-ondes précise et rapide pour une variété d'aliments courants, sans approximation.

3. Rapid Defrost (Décongélation rapide) (p. 36)

Décongèle plus rapidement. Cette option est excellente pour la remise en température pour 450 g (1 lb) de boeuf haché surgelé.

4. Auto Defrost (Décongélation automatique) (p. 35)

Décongèle les aliments complètement.

5. Beverage (Boisson) (p. 33)

Cette option réchauffe 1 à 3 tasses de 250 mL (8 onces).

6. Stop/Clear (Arrêt/Effacement)

Une pression sur cette touche avant la cuisson efface tous les réglages précédents. Pendant la cuisson, une pression arrête le four, et deux pressions arrêtent le four et effacent tous les réglages.

7. Timer (Minuterie) (p. 31)

8. Clock (Horloge) (p. 31)

9. Custom Program (Programme personnalisé) (p. 31)

10. Control Setup (Paramètres de programmation) (p. 33)

Permet la personnalisation des réglages suivants :

- Sound (Signaux sonores)
- Clock Display (Affichage de l'horloge)
- Display Scroll Speed (Vitesse de défilement)
- Lbs/KG (lb / kg)
- Volume Level (Niveau de Volume)
- Language Option (option de Langue)

11. More/Less (Plus/Moins) (p. 33)

12. Add 30 Sec. (Addition 30 secondes) (p. 31)

13. Start (Mise en marche)

Pour commander la cuisson.

14. Touches numériques

Permet de commander immédiatement la cuisson avec un des 5 réglages préprogrammés (de 1 à 5 minutes).

15. Cook Time (Durée de cuisson) (p. 32)

16. Power Level (Niveau de puissance) (p. 32)

12 Hour CLOCK and TIMER (HORLOGE [12 HEURES] ET MINUTERIE)

Le four est équipé d'une horloge en format 12 heures et d'une minuterie qui peut être réglée jusqu'à 99 minutes et 99 secondes. L'horloge n'affiche pas les symboles AM et PM.

Pour régler l'horloge :

- Stop Clear* 1. Appuyer sur la touche **STOP/CLEAR**.
- Clock* 2. Appuyer sur la touche **CLOCK**.
- **ENTER TIME OF DAY** (Entrer l'heure) défile sur l'afficheur.
3. Entrer l'heure désirée avec les touches numériques.
- **TOUCH START** (Appuyer sur START) défile sur l'afficheur.
- Start* 4. Appuyer sur la touche **START**.

Pour régler la minuterie :

- Stop Clear* 1. Appuyer sur la touche **STOP/CLEAR**.
- Timer* 2. Appuyer sur la touche **TIMER**.
- **ENTER TIME IN MIN. AND SEC.** (Entrer la durée en mn et s.) défile sur l'afficheur.
3. Entrer la durée désirée avec les touches numériques.
- **TOUCH START** (Appuyer sur START) défile sur l'afficheur.
- Start* 4. Appuyer sur la touche **START**.
- Pour annuler la fonction de minuterie en tout temps, appuyer sur la touche **STOP/CLEAR**.

ADD 30 SEC. (ADDITION 30 SECONDES)

Cette touche de commande rapide permet de commander la mise en marche du four à micro-ondes sans qu'il soit nécessaire d'appuyer sur la touche **START**.

REMARQUE : Chaque pression de la touche **Add 30 Sec.** ajoutera 30 secondes à la durée de cuisson, jusqu'à 9 minutes 59 secondes.

Exemple : Sélection d'une période de chauffage de 2 minutes

Add 30 Sec. Appuyer 4 fois sur la touche **Add 30 sec.** Le four se met en marche et affiche le décompte de la durée de cuisson.

VERROUILLAGE POUR LES ENFANTS

Il est possible de désactiver le tableau de commande pour empêcher la mise en marche du four à micro-ondes, accidentellement ou par des enfants. Aucune opération de cuisson ne peut alors être déclenchée. La fonction de verrouillage est également utile lorsqu'on doit nettoyer le tableau de commande; ceci empêche l'entrée accidentelle de commandes durant le nettoyage.

Lorsque la fonction de verrouillage est activée, le mot **LOCKED** (Verrouillé) apparaît sur l'afficheur si on appuie sur une touche de commande. On peut activer/désactiver la fonction de verrouillage comme suit :

Verrouillage du tableau de commande:

- Stop Clear* 1. Appuyer sur **STOP/CLEAR**.
- 0* 2. Maintenir la pression sur **0** jusqu'à l'apparition de **LOCKED** sur l'afficheur; l'appareil émet 2 signaux sonores.

Déverrouillage du tableau de commande :

- 0* Maintenir la pression sur **0** jusqu'à la disparition de **LOCKED** sur l'afficheur.

Après la désactivation du verrouillage, le four peut fonctionner normalement.

CUSTOM PROGRAM (PROGRAMME PERSONNALISÉ)

La touche **CUSTOM PROGRAM** permet le rappel d'un programme de cuisson précédemment mémorisé et de commencer la cuisson immédiatement.

Exemple : Pour commander la cuisson pendant 2 minutes au niveau de puissance 60%.

- Custom Program* 1. Appuyer sur la touche **CUSTOM PROGRAM**. L'afficheur présente **TOUCH START OR ENTER NEW TIME** (Appuyer sur START ou entrer une nouvelle durée).
2. Entrer la durée de cuisson. L'afficheur présente **TOUCH START OR POWER** (Appuyer sur START ou POWER).
- Power Level* 3. Appuyer sur la touche **POWER LEVEL**. L'afficheur présente **ENTER POWER LEVEL 1 TO 10** (Entrer le niveau de puissance, de 1 à 10).
4. Entrer le niveau de puissance **6**. L'afficheur présente **P60 TOUCH START** (P60; appuyer sur START).
- Start* 5. Appuyer sur la touche **START**.

Pour rappeler le programme personnalisé :

- Custom Program* 1. Appuyer sur la touche **CUSTOM PROGRAM**. L'afficheur présente **TOUCH START OR ENTER NEW TIME** (Appuyer sur START ou entrer une nouvelle durée).
- Start* 2. Appuyer sur la touche **START**.

Instructions d'utilisation (suite)

COOK TIME (CUISSON MINUTÉE)

Cette fonction permet de sélectionner la durée de cuisson. Comme de nombreux aliments ont besoin d'une cuisson plus lente (à un niveau de puissance plus bas), il y a 10 niveaux de puissance en plus de PUISSANCE ÉLEVÉE.

Lorsque la période de cuisson est écoulée, l'appareil émet des signaux sonores. L'afficheur présente **COOKEND** (Fin cuisson) et le four s'arrête.

REMARQUE : Si on ne sélectionne pas un niveau de puissance, le four sélectionne par défaut la puissance élevée. Pour une cuisson au niveau de PUISSANCE ÉLEVÉE, omettre les étapes 4 et 5 décrites ci-dessous.

Exemple : Cuisson d'un mets au niveau de puissance 8 (80 %) pendant 5 minutes 30 secondes.

Cook Time

1. Appuyer sur la touche **COOK TIME**.
2. Appuyer sur les touches numériques.
 - **ENTER COOKING TIME** (Entrer la durée de cuisson) défile sur l'afficheur.

5 3 0
5 Min. 3 Min.

3. Entrer la durée de cuisson 5 minutes 30 secondes en appuyant sur les touches [5], [3] et [0]. L'afficheur présente **5:30 TOUCH START OR POWER** (Appuyer sur START ou POWER).

Power Level

4. Appuyer sur **POWER LEVEL**. L'afficheur présente **ENTER POWER LEVEL 1 TO 10** (Entrer le niveau de puissance, de 1 à 10).

8

5. Appuyer sur **8** pour sélectionner le niveau de puissance 80%.

L'afficheur présente **P-80 TOUCH START** (Appuyer sur START).

Start

6. Appuyer sur **START**.

UTILISATION DES DIVERS NIVEAUX DE PUISSANCE DU FOUR À MICRO-ONDES

Niveau de Puissance	Utilisation
10 (ÉLEVÉ)	<ul style="list-style-type: none">• Ébullition d'eau.• Préparation de bonbons.• Cuisson de morceaux de volaille, poisson et légumes.• Cuisson de pièces de viande tendres.• Volaille entière.
9	<ul style="list-style-type: none">• Réchauffage de riz, pâtes et légumes.
8	<ul style="list-style-type: none">• Réchauffage rapide d'un mets préparé.• Réchauffage de sandwiches.
7	<ul style="list-style-type: none">• Cuisson d'un mets à base d'œufs, lait ou fromage.• Cuisson de pain, gâteaux.• Fusion de chocolat.
6	<ul style="list-style-type: none">• Cuisson d'un mets de veau.• Cuisson d'un poisson entier.• Cuisson de poudings et entremets.
5	<ul style="list-style-type: none">• Cuisson de jambon, volaille entière, agneau.• Cuisson d'un rôti de côtes ou de pointe de surlonge.
4	<ul style="list-style-type: none">• Décongélation de viande, volaille et produits de la mer.
3	<ul style="list-style-type: none">• Cuisson de pièces de viande moins tendres.• Cuisson de rôti, côtelettes de porc.
2	<ul style="list-style-type: none">• Léger réchauffage des fruits.• Amollissement de beurre.
1	<ul style="list-style-type: none">• Maintien de la température d'un plat principal ou mets en sauce.• Amollissement de beurre ou fromage en crème.
0	<ul style="list-style-type: none">• Période d'attente.• Minuterie indépendante.

CUISSON EN PLUSIEURS ÉTAPES

Pour commander une cuisson en plusieurs étapes, appuyer sur **COOK TIME**, et avant d'appuyer sur la touche **START**, répéter les étapes 3-5 du processus de programmation d'une cuisson minutée décrit à la section précédente.

On peut également programmer une période de décongélation automatique avant la première étape du processus de cuisson.

POWER LEVEL (NIVEAUX DE PUISSANCE)

Le four à micro-ondes offre un choix de onze niveaux de puissance de chauffage, ce qui procure un maximum

de flexibilité et de contrôle pour la programmation des opérations de cuisson. Le tableau ci-dessus présente des suggestions d'utilisation des divers niveaux de puissance de chauffage.

MORE/LESS (PLUS/MOINS)

Les touches **MORE** et **LESS** permettent de modifier la durée de cuisson pour une opération de **Cook Time (cuisson minutée)**, **Add 30 Sec. (d'addition 30 secondes)**, ou **Sensor Cook (de cuisson avec capteur)**. Chaque pression sur la touche **More** ajoute 10 secondes à la durée de cuisson. Chaque pression sur la touche **Less** réduit la durée de cuisson de 10 secondes. Il faut attendre le début du décompte de la durée de cuisson avant d'augmenter ou de réduire la durée.

Exemple : Pour augmenter ou pour réduire la durée d'une opération de cuisson avec capteur (ex. maïs à éclater).

- Popcorn* 1. Appuyer sur la touche **POPCORN**. L'afficheur présente Popcorn (Maïs à éclater).
2. Appuyer sur **MORE** ou **LESS** durant le décompte. Ces touches ne fonctionneront pas pendant le défilement du texte sur l'afficheur.

BEVERAGE (BOISSON)

Cette touche commande le réchauffage de liquides en tasses de 118 mL (8 onces).

Exemple : Pour réchauffer deux tasses de 118 mL (8 onces) de café.

- Beverage* 1. Appuyer sur la touche **BEVERAGE**. L'afficheur présente **BEV TOUCH 1 TO 3 CUPS** (Liquides entrer nombre portions, de 1 à 3).
2. Appuyer sur la touche **2**. Le four se mettra en marche automatiquement.

2
2 Min.

REMARQUE : Un liquide qu'on chauffe dans certains types de récipient (particulièrement un récipient cylindrique) peut s'échauffer excessivement. Le liquide peut éclabousser violemment lorsque la tasse est déplacée.

CONTROL SET-UP (SÉLECTION DES PARAMÈTRES)

La fonction de sélection des paramètres permet de sélectionner les paramètres de réglage du four selon les préférences.

On peut ainsi sélectionner les paramètres pour **SOUND ON/OFF**, **CLOCK ON/OFF**, **SCROLL SPEED**, **LBS/KG**, **VOLUME LEVEL** et **LANGUAGE OPTION** (Son actif/inactif, horloge active/inactive, vitesse de défilement, lb/kg, niveau de volume et option de langue).

Exemple 1 : Désactivation de l'émission des signaux sonores.

- Control Setup* 1. Appuyer sur la touche **CONTROL SET-UP**. L'afficheur présente répétitivement quatre modes.
2. Appuyer sur la touche **1**. L'afficheur présente les mots **SOUND ON TOUCH**

1
1 Min.

1 OFF TOUCH 2 (Son actif, touche 1 son inactif, touche 2).

2
2 Min.

3. Appuyer sur la touche **2**. L'afficheur présente les mots **SOUND OFF** (Son inactif). L'heure actuelle est affichée.

REMARQUE: Pour rétablir l'émission des signaux sonores, répéter les étapes 1-2, puis appuyer sur la touche 1.

Exemple 2 : Sélection de l'affichage en kg.

Control Setup 1. Appuyer sur la touche **CONTROL SET-UP**. L'afficheur présente répétitivement quatre modes.

4
4 Min.

2. Appuyer sur la touche **4**. L'afficheur présente **LBS. TOUCH 1 KG TOUCH 2** (lb touche 1 kg, touche 2).

2
2 Min.

3. Appuyer sur la touche **2**. L'afficheur présente **KG**. L'heure actuelle est affichée.

REMARQUE : Pour sélectionner l'affichage en lb, répéter les étapes 1-2, puis appuyer sur la touche 1.

TABLEAU POUR LA FONCTION DE SÉLECTION DES PARAMÈTRES

N°	FONCTION	OPTIONS	REMARQUES
1	SON ACTIF/INACTIF (SOUND ON/OFF)	Son actif ou son inactif (Sound On or Sound Off)	Activation ou désactivation de l'émission du signal de confirmation (émis lors de la pression sur une touche) et du signal de fin de programme.
2	HORLOGE ACTIVE/INACTIVE (CLOCK ON/OFF)	Horloge active ou inactive (Clock On or Clock Off)	Lorsque l'horloge n'est pas active, rien n'est présenté sur l'afficheur lorsque le four n'est pas en fonctionnement.
3	VITESSE DE DÉFILEMENT (SCROLL SPEED)	Lente, normale ou rapide (Slow, Normal, or Fast)	Sélection de la vitesse de défilement des messages sur l'afficheur.
4	LB/KG (LBS./KG)	lb ou kg (Lbs or Kg)	Sélection de l'affichage du poids en lb ou kg, pour les fonction de décongélation automatique.
5	NIVEAU DE VOLUME (VOLUME LEVEL)	Bas, moyen, élevé (Low, medium, high)	Sélection de la volume de le touche.
6	OPTION DE LANGUE (LANGUAGE OPTION)	Anglais, espagnol, français (English, Spanish, French)	Sélection de le langue présente à l'afficheur.

REMARQUE : Lors du branchement initial du four, il sélectionne par défaut les paramètres Son ACTIF, Horloge ACTIVE, Vitesse normale, affichage en lb, Volume moyen, et Langue à anglais.

Instructions d'utilisation (suite)

INSTRUCTIONS D'UTILISATION POUR LA CUISSON COMMANDÉE PAR CAPTEUR

Le tableau sur les pages qui suivent présente des exemples spécifiques de cuisson commandée par capteur pour la plupart des programmes de cuisson avec capteur. Le circuit associé au capteur détecte l'accumulation de vapeur dans le four.

Conseils

1. Veiller à ce que la porte reste fermée.

2. Après la détection de la vapeur, l'appareil émet deux signaux sonores.

3. L'ouverture de la porte, ou une pression sur la touche **STOP/CLEAR** avant la détection de vapeur met fin au processus. Le four s'arrête.

4. Avant d'utiliser la fonction de cuisson commandée par capteur, vérifier que les surfaces externes du récipient et les surfaces internes du four sont sèches, pour l'obtention de meilleurs résultats.

5. La température ambiante dans la pièce ne devrait pas dépasser 35° C (95° F).

6. Il faut que le four soit branché depuis au moins 5 minutes avant l'utilisation de la fonction de cuisson contrôlée par capteur.

Catégorie : Soupe / sauce
Pomme de terre au four
Mets préparés surgelés
Légumes surgelés
Réchauffage des mets préparés
Légumes frais
Part de pizza
Maïs à éclater

CUISSON COMMANDÉE PAR CAPTEUR

Code	Catégorie	Directives	Quantité
1	Soup/Sauce (Soupe/Sauce)	Avant de réchauffer les soupes, les recouvrir d'une feuille de plastique compatible avec le four à micro-ondes. En replier le coin pour laisser un évent de 1,25 -2,5 cm (½ -1 po). Remuer les soupes après le réchauffage. Utiliser un bol, plat ou tasse pour micro-ondes. Ne pas recouvrir l'ustensile avec un couvercle en verre. Laisser reposer dans le four à micro-ondes pendant une minute après la cuisson. Remplir à moitié ou aux deux-tiers.	250 à 1 000 mL (1½ à 4 tasses) (12 à 32 onces)
2	Baked Potato (Pomme de Terre au four)	Percer la peau de chaque pomme de terre avec une fourchette; placer les pommes de terre sur le plateau du four, sur la périphérie, séparer par au moins 2,5 cm (1 po).	1 à 4 pommes de terre moyennes, environ 225 à 280 g (8 à 10 onces) chacune.
3	Frozen Entree (Mets préparés surgelés)	Retirer le mets de son emballage extérieur. Percer la feuille de fermeture. Si le récipient du paquet ne peut être utilisé dans le four à micro-ondes, placer le mets sur une assiette, recouvert d'une feuille de plastique (laisser un évent).	280 à 588 g (10 à 21 onces)
4	Frozen Vegetable (Légume surgelé)	Retirer les légumes de l'emballage; éliminer le givre sous un jet d'eau du robinet. Placer les légumes dans un récipient pour micro-ondes de taille appropriée, recouvrir d'une feuille de plastique et laisser un évent.	250 à 1 000 mL (1 à 4 tasses)
5	Reheat Entree (Réchauffage mets préparés)	Disposer les mets au centre de l'assiette ou de la cocotte et couvrir avec une feuille de plastique et laisser un évent. Remuer les mets après le réchauffage. Les mets qui ne peuvent être remués (ex. lasagne) doivent reposer couverts pendant environ 5 minutes après le réchauffage.	280 à 588 g (10 à 21 onces) Mets préparé, plat mijoté, pâtes, plat en sauce, etc.
6	Fresh Vegetable (Légume frais)	Préparer les légumes comme on le souhaite; laver et laisser le résiduel sur les légumes. Placer les légumes dans un récipient pour micro-ondes de taille appropriée, recouvrir d'une feuille de plastique et laisser un évent.	250 à 1 000 mL (1 à 4 tasses)
7	Pizza Slice (Part de pizza)	La pizza devrait être frigorifiée mais non gelée. Placer la pizza pré-cuite sur un papier essuie-tout ou une assiette en papier. Ne pas recouvrir. Placer la pointe de la pizza vers le centre. ATTENTION : Prendre garde en mangeant de la pizza réchauffée au four micro-ondes. Le dessus de la pizza et la sauce peuvent être très chauds.	1 à 3 parts (85 - 140 g [3 - 5 onces] chacune)
8	Popcorn (Maïs à éclater)	Suivre les instructions sur l'emballage. Le sac doit être à la température de la pièce. Ne pas utiliser cette fonction si les sacs ne sont pas de format 85 à 99 g (3,0 à 3,5 onces).	85 à 99 g (3,0 à 3,5 onces)

L'ouverture de la porte ou une pression sur la touche **STOP/CLEAR** durant la période de détection provoque l'arrêt de la cuisson.

CUISSON COMMANDÉE PAR CAPTEUR

La fonction de cuisson commandée par capteur permet de commander la cuisson d'un mets favori sans devoir sélectionner le temps de cuisson et le niveau de puissance de chauffage. Le four détermine automatiquement le temps de cuisson pour chaque mets. On peut choisir parmi 8 catégories d'aliments.

Exemple : Cuisson d'un METS PRÉPARÉ SURGELÉ.

- Frozen Entree*
1. Appuyer sur la touche **FROZEN ENTREE**.
L'afficheur présente **FROZEN ENTREE** (Mets préparé surgelé) et le four à micro-ondes se met en marche automatiquement.

ATTENTION

Pendant une opération d'éclatement du maïs :

- Ouvrir le sac avec prudence après l'opération d'éclatement du maïs. Le maïs et la vapeur peuvent être très chauds.
- Ne pas essayer de nouveau de faire éclater les grains qui n'ont pas éclaté et ne pas réutiliser le sac. Une cuisson excessive peut causer un feu dans le four.
- Ne jamais utiliser un sac en papier brun pour une opération d'éclatement du maïs.
- Dans le cas de l'emploi d'un dispositif spécial pour éclatement de maïs au four à micro-ondes, suivre les instructions du fabricant. Ne pas utiliser la Cuisson par Capteur à le programme maïs.

AUTO DEFROST (DÉCONGÉLATION AUTOMATIQUE)

Trois opérations de décongélation à exécution automatique sont programmées dans l'appareil. On peut ainsi sélectionner la meilleure méthode de décongélation pour un aliment particulier. Le tableau de sélection indique quel programme de décongélation est recommandé pour divers produits (pg. 36).

Lorsqu'on utilise la fonction de décongélation automatique, l'appareil sélectionne automatiquement la durée de chauffage et le niveau de puissance.

L'appareil détermine automatiquement la durée de chauffage pour chaque article à décongeler, en fonction du poids entré.

La fonction de décongélation automatique inclut également l'émission de signaux sonores qui rappellent à l'utilisateur qu'il convient d'évaluer l'avancement du processus, de retourner ou séparer les morceaux, ou de modifier leur répartition. La fonction de décongélation automatique permet l'emploi de l'un des trois niveaux de puissance de chauffage.

1 MEAT (VIANDE)

2 POULTRY (VOLAILLE)

3 FISH (POISSON)

- La catégorie peut être sélectionnée en appuyant sur la touche numérique **1** (VIANDE), **2** (VOLAILLE) ou **3** (POISSON) après avoir appuyé sur la touche **AUTO DEFROST**.
- On peut sélectionner un poids de 0.05 à 2,7 kg (0.1 à 6 lb).

Exemple : Décongélation de 540 kg (1,2 lb) de bœuf haché.

- Auto Defrost*
1. Appuyer sur **AUTO DEFROST**. L'afficheur présente le message **MEAT TOUCH 1 POULTRY TOUCH 2 FISH TOUCH 3** (Viande appuyer sur 1; volaille, appuyer sur 2; poisson, appuyer sur 3).

1
1 Min.

1 2
1 Min. 2 Min.

Start

2. Appuyer sur **1**. L'afficheur présente le message **ENTER WEIGHT** (Entrer le poids).
3. Entrer le poids: appuyer sur les touches **1** et **2**. L'afficheur présente le message **1.2 LBS TOUCH START** (1,2 lb [540 g] Appuyer sur START).
4. Appuyer sur **START**. Le processus de décongélation débute.

REMARQUE : Lorsqu'on appuie sur la touche **START**, l'afficheur présente le décompte de la durée de décongélation. L'appareil émettra un signal sonore durant la période de DÉCONGÉLATION. Lors de l'émission d'un signal sonore, ouvrir la porte et retourner le produit, ou séparer les morceaux ou modifier leur répartition. Retirer tout morceau qui est décongelé. Remettre dans le four les morceaux encore congelés et appuyer sur la touche **START** pour poursuivre le processus de décongélation.

- Pour l'obtention des meilleurs résultats, retirer les produits – poisson, produits de la mer, pièce de viande, volaille – de leur emballage d'origine (papier ou plastique); sinon le matériau d'emballage retiendra la vapeur et les jus au contact du produit, ce qui pourra susciter un début de cuisson de la surface externe.
- Pour l'obtention des meilleurs résultats, préparer les portions de viande hachée en forme de beignet avant la congélation. Lors de la décongélation, enlever la viande déjà décongelée lorsque l'appareil émet un signal sonore, puis poursuivre la décongélation.
- Placer les aliments dans un récipient peu profond ou sur un plat de rôtissage pour four à micro-ondes, pour récupérer le jus qui s'écoule.
- Lorsqu'on retire les aliments du four, ils devraient être encore gelés au centre.

Instructions d'utilisation (suite)

DÉCONGÉLATION AUTOMATIQUE TABLEAU DE SÉLECTION

Programme	Aliment
1 MEAT (VIANDE)	BŒUF Bœuf haché, steak de ronde, viande à ragoût en cubes, steak de filet, viande pour pot au feu, rôti de côtes, rôti de croupe roulé, rôti de palette, steakette (hamburger) AGNEAU Côtelettes (épaisseur 2,5 cm [1 po]), rôti roulé PORC Côtelettes (épaisseur 1,3 cm [1/2 po]), hot dogs, côtes levées, travers de porc, rôti roulé, saucisses VEAU Escalopes (450 g [1 lb], épaisseur 1,3 cm [1/2 po])
2 POULTRY (VOLAILLE)	VOLAILLE Poulet entier (moins de 1,8 kg [4 lb]), viande de poitrine coupée (sans os) POULETTE DE CORNOUAILLES Entière DINDE Viande de poitrine (moins de 2,7 kg [6 lb])
3 FISH (POISSON)	POISSON Filets, darnes, entier CRUSTACÉS/MOLLUSQUES Chair de crabe, queues de homard, crevettes, pétoncles

RAPID DEFROST (DÉCONGÉLATION RAPIDE)

Cette touche commande une opération de décongélation rapide pour 450 g (1 lb) de bœuf haché surgelé.

Rapid Defrost

1. Appuyer sur **RAPID DEFROST**. Le four commence l'opération de décongélation sans qu'il soit nécessaire d'appuyer sur **START**.

Légumes frais – Tableau de cuisson

Légumes	Quantité	Temps de cuisson (puissance ÉLEVÉE) (minutes)	Instructions	Periode d'attente
Artichauts (225 g [8 oz] chacun)	2 – taille moyenne 4 – taille moyenne	5 à 8 10 à 12	Préparer. Ajouter 2 c. à thé d'eau et 2 c. à thé de jus de citron. Recouvrir. Orienter la tige vers le haut pour la cuisson.	2 à 3 minutes
Asperges – fraîches	450 g (1 lb)	3 à 7	Laver; retourner la moitié des asperges. Ajouter 120 mL (1/2 tasse) d'eau. Couvrir.	2 à 3 minutes
Haricots – verts jaunes	450 g (1 lb)	7 à 10	Ajouter 120 mL (1/2 tasse) d'eau dans un récipient de 1,5 litre. Remuer au milieu de la période de cuisson.	2 à 3 minutes
Betteraves – fraîches	450 g (1 lb)	12 à 16	Verser 120 mL (1/2 tasse) d'eau dans un récipient couvert de 1,5 litre. Modifier la répartition au milieu de la période de cuisson.	2 à 3 minutes
Brocoli – bouquets frais	450 g (1 lb)	5 à 9	Placer le brocoli dans un plat pour cuisson au four. Ajouter 120 mL (1/2 tasse) d'eau.	2 à 3 minutes
Chou – frais, haché	450 g (1 lb)	5 à 7	Verser 120 mL (1/2 tasse) d'eau dans un récipient couvert de 1,5 litre. Remuer au milieu de la période de cuisson.	2 à 3 minutes
Carottes – fraîches, tranchées	475 mL (2 tasses)	3 à 6	Verser 60 mL (1/4 tasse) d'eau dans un récipient couvert de 1 litre. Remuer au milieu de la période de cuisson.	2 à 3 minutes
Chou-fleur entier – frais	450 g (1 lb)	6 à 10	Préparer. Verser 60 mL (1/4 tasse) d'eau dans un récipient couvert de 1 litre. Remuer au milieu de la période de cuisson.	2 à 3 minutes
Céleri – frais, tranché	475 mL (2 tasses) 950 mL (4 tasses)	3 à 5 7 à 9	Trancher. Verser 120 mL (1/2 tasse) d'eau dans un récipient couvert de 1,5 litre.	2 à 3 minutes
Maïs – frais	2 épis	5 à 8	Éplucher. Ajouter 2 c. à thé dans un plat de 1,5 litres pour cuisson au four. Recouvrir.	2 à 3 minutes
Champignons – frais, tranchés	225 g (1/2 lb)	2 à 3-1/2	Placer les champignons dans un récipient couvert de 1,5 litre	2 à 3 minutes
Navet – frais, tranché	450 g (1 lb)	4 à 8	Verser 120 mL (1/2 tasse) d'eau dans un récipient couvert de 1,5 litre.	2 à 3 minutes
Petits pois – frais, verts	950 mL (4 tasses)	6 à 9	Verser 120 mL (1/2 tasse) d'eau dans un récipient couvert de 1,5 litre. Remuer au milieu de la période de cuisson.	2 à 3 minutes
Pommes de terre douces, entières (170 à 225 g [6 à 8 oz] chacune)	2 – taille moyenne 4 – taille moyenne	5 à 7 6 à 11	Percer la peau des pommes de terre plusieurs fois avec une fourchette.	2 à 3 minutes 2 à 3 minutes
Pommes de terre blanches, entières (170 à 225 g [6 à 8 oz] chacune)	2 pommes de terre 4 pommes de terre	5 à 7 8 à 13	Percer la peau des pommes de terre plusieurs fois avec une fourchette.	2 à 3 minutes 2 à 3 minutes
Épinards – frais, en feuilles	450 g (1 lb)	5 à 7	Verser 120 mL (1/2 tasse) d'eau dans un récipient couvert de 2 litres.	2 à 3 minutes
Courge – fraîche (reine de table ou musquée)	1 – taille moyenne	6 à 8	Couper la courge en deux. Enlever les graines. Placer les moitiés dans un plat de 20 x 20 cm (8 x 8 po) pour cuisson au four. Recouvrir.	2 à 3 minutes
Courgettes – fraîches, tranchées	450 g (1 lb)	5 à 8	Verser 120 mL (1/2 tasse) d'eau dans un récipient couvert de 1,5 litre.	2 à 3 minutes
Courgettes – fraîches, entières	450 g (1 lb)	7 à 8	Percer la peau. Placer les courgettes sur 2 essuie-tout en Retourner les courgettes et modifier la répartition au milieu de la période de cuisson.	2 à 3 minutes

Nettoyage et Entretien

ATTENTION

Pour éviter des dommages matériels, débrancher le four à micro-ondes ou interrompre l'alimentation au niveau du tableau de distribution (enlever les fusibles ou ouvrir le disjoncteur).

Avant d'entreprendre le nettoyage du four, débrancher le cordon d'alimentation ou ouvrir la porte du four pour empêcher une mise en marche accidentelle.

Composant	Description
Surfaces internes du four	<ul style="list-style-type: none">• Enlever les miettes et résidus de renversement par essuyage avec un chiffon humide.• Il est important que les surfaces de contact entre la porte et le cadre frontal du four soient parfaitement propres.• Enlever les résidus de projection gras avec un chiffon savonneux, puis rincer et sécher.• Ne jamais utiliser un détergent agressif ou produit de nettoyage abrasif.
Plateau tournant en verre et anneau rotatif	<ul style="list-style-type: none">• On peut laver le plateau en verre et l'anneau rotatif à la main ou au lave-vaisselle.• Rincer et bien sécher.
Tableau de commande	<ul style="list-style-type: none">• Essuyer avec un chiffon humide, puis sécher immédiatement avec un chiffon sec.• Il est également utile d'employer la fonction de verrouillage des commandes avant d'entreprendre le nettoyage du tableau de commande.• La fonction de verrouillage des commandes empêche une programmation accidentelle du four lors des opérations de nettoyage du tableau de commande.
Porte	<ul style="list-style-type: none">• Si de la vapeur se condense à l'intérieur de la porte du four, ou sur la périphérie à l'extérieur, essuyer avec un chiffon doux.• Ceci peut se produire lorsque le four fonctionne en présence d'une humidité élevée; ceci n'indique pas une anomalie de fonctionnement de l'appareil.
Surfaces externes du four	<ul style="list-style-type: none">• Essuyer avec un chiffon doux et une solution de détergent doux. Rincer et sécher. Ne jamais utiliser un détergent agressif ou un produit de nettoyage abrasif.• Pour éviter de détériorer les composants à l'intérieur du four, veiller à ce que de l'eau ne puisse jamais pénétrer dans les orifices de ventilation. <p>Acier inoxydable</p> <ul style="list-style-type: none">• NE JAMAIS UTILISER UN PRODUIT DE NETTOYAGE CONTENANT DU CHLORE OU UN PRODUIT CHLORÉ.• POUR LE NETTOYAGE, FROTTER DANS LE SENS DU GRAIN.• Nettoyage quotidien/ Salissage léger – Essuyer la surface; employer l'un des produits suivants : eau savonneuse, mélange eau/vinaigre blanc, produit de nettoyage pour verre et surface Formula 409* ou produit de nettoyage similaire du verre; utiliser une éponge ou un chiffon doux. Rincer et bien sécher. Pour polir et éliminer les traces de doigt, terminer avec une application de Magic Spray pour acier inoxydable*.• Salissage modéré/important – Essuyer; employer l'un des produits suivants : Bon Ami, bicarbonate de sodium ou Soft Scrub*, utiliser une éponge humide ou un chiffon doux. Rincer et bien sécher. Sur des souillures tenaces, frotter avec un tampon Scotch-Brite* humidifié; frotter dans le sens du grain. Rincer et bien sécher. Pour restaurer le lustre et éliminer les traces de coulure, terminer avec une application de Magic Spray pour acier inoxydable.• Changement de couleur – Utiliser un chiffon doux ou une éponge avec le produit de nettoyage Cameo pour acier inoxydable*; procéder par essuyage. Rincer immédiatement et bien sécher. Pour éliminer les traces de coulure et restaurer le lustre, terminer avec une application de Magic Spray pour acier inoxydable.

Après le nettoyage du four, veiller à orienter correctement l'anneau rotatif et le plateau en verre.

Appuyer deux fois sur STOP/CLEAR pour effacer de la mémoire toute donnée entrée par inadvertance.

*Les marques des produits de nettoyage sont des marques de commerce déposées de leurs fabricants respectifs.

AVERTISSEMENT

Pour éviter choc électrique, graves blessures ou accident mortel, ne jamais retirer la caisse de l'appareil. Seul un technicien agréé est habilité à enlever la caisse externe.

AVANT DE CONTACTER UN SERVICE DE DÉPANNAGE

Vérifier la liste suivante pour s'assurer qu'un service de dépannage est vraiment nécessaire. Consulter ce manuel et revoir les informations supplémentaires sur les différents articles pour empêcher tout appel de service qui ne serait pas nécessaire.

Problème	Causes possibles
Le four ne se met pas en marche	<ul style="list-style-type: none">• Cordon d'alimentation électrique du four pas branché<ul style="list-style-type: none">- Brancher sur la prise de courant• Porte ouverte.<ul style="list-style-type: none">- Fermer la porte, ouvrir et essayer de nouveau.• Sélection d'une fonction incorrecte.<ul style="list-style-type: none">- Consulter les instructions d'utilisation.
Formation d'arcs ou étincelles	<ul style="list-style-type: none">• Utilisation dans le four à micro-ondes d'un matériau qui doit être évité.<ul style="list-style-type: none">- Utiliser uniquement des ustensiles compatibles avec les micro-ondes.• Tentative d'utilisation alors que le four est vide.<ul style="list-style-type: none">- Ne jamais faire fonctionner le four lorsqu'il est vide.• Présence de résidus alimentaires dans la cavité.<ul style="list-style-type: none">- Nettoyer parfaitement la cavité avec un essuie-tout humide.
Cuisson non uniforme ou décongélation médiocre	<ul style="list-style-type: none">• Utilisation dans le four à micro-ondes d'un matériau qui doit être évité.<ul style="list-style-type: none">- Utiliser uniquement des ustensiles compatibles avec les micro-ondes.• Sélection incorrecte de durée de cuisson/puissance de chauffage.<ul style="list-style-type: none">- Sélectionner la durée de cuisson correcte et la puissance de chauffage correcte.• Les aliments n'ont pas été retournés ou remués.<ul style="list-style-type: none">- Retourner ou remuer les aliments conformément aux instructions.
Cuisson excessive des aliments	<ul style="list-style-type: none">• Sélection incorrecte de durée de cuisson/puissance de chauffage.<ul style="list-style-type: none">- Sélectionner la durée de cuisson correcte et la puissance de chauffage correcte.
Cuisson insuffisante des aliments	<ul style="list-style-type: none">• Utilisation dans le four à micro-ondes d'un matériau qui doit être évité.<ul style="list-style-type: none">- Utiliser uniquement des ustensiles compatibles avec les micro-ondes.• Les aliments n'ont pas été complètement décongelés.<ul style="list-style-type: none">- Décongeler complètement les aliments• Obstruction partielle ou totale des orifices de ventilation du four.<ul style="list-style-type: none">- Veiller à ce que les orifices de ventilation du four ne soient jamais obstrués (totalement ou partiellement).• Sélection incorrecte de durée de cuisson/puissance de chauffage.<ul style="list-style-type: none">- Sélectionner la durée de cuisson correcte et la puissance de chauffage correcte.

IL EST NORMAL QU'ON OBSERVE LES PHÉNOMÈNES SUIVANTS :

- Émission répétitive d'un son sourd durant le fonctionnement du four.
- Sortie de vapeur autour de la porte.
- Réflexion de lumière autour de la porte ou de la caisse externe.
- Atténuation de l'intensité de la lampe du four et modification du son émis par le ventilateur lorsque le four fonctionne à un niveau de puissance autre que le niveau élevé.
- Le fonctionnement du four peut susciter des interférences avec la réception des ondes de radio et de télévision. Il s'agit d'un phénomène similaire aux interférences provoquées par le fonctionnement d'un autre appareil ménager comme mélangeur, sèche-cheveux, etc.

Garantie

Garantie complète de deux ans

Durant une période de deux (2) ans à compter de la date de l'achat initial au détail, toute pièce qui se révélerait défectueuse dans des conditions normales d'usage ménager, sera réparée ou remplacée gratuitement.

Garantie limitée – pièces

De la seconde année à la cinquième année après la date de l'achat initial au détail, les pièces mentionnées ci-dessous et qui se révéleraient défectueuses dans des conditions normales d'usage ménager, seront réparées ou remplacées gratuitement (pièces seulement) si l'appareil se trouve aux États-Unis ou au Canada ; le propriétaire devra payer tous les autres frais, y compris les frais de main-d'œuvre : (1) clavier tactile et micro-processeur, (2) tube magnétron.

Garantie limitée hors des États-Unis et du Canada – pièces

Lorsque l'appareil se trouve hors des États-Unis ou du Canada, pendant un (1) an à compter de la date de l'achat initial au détail, toute pièce qui se révélerait défectueuse dans des conditions normales d'usage ménager, sera réparée ou remplacée gratuitement (pièce seulement) ; le propriétaire devra assumer tous les autres frais, y compris les frais de main-d'œuvre.

Résidents du Canada

Les garanties ci-dessus couvrent un appareil installé au Canada seulement s'il a été agréé par la CSA, sauf si l'appareil a été introduit au Canada à l'occasion d'un changement de résidence des États-Unis vers le Canada.

Ne sont pas couverts par ces garanties:

- Le remplacement de fusibles, le réenclenchement de disjoncteurs ou la correction du réseau de plomberie ou de l'alimentation électrique.
- Le nettoyage et l'entretien normaux du produit, y compris le remplacement d'ampoules.
- Les produits dont les numéros de série d'origine ont été enlevés, modifiés ou ne sont pas facilement visibles.
- Les produits achetés à des fins commerciales, industrielles ou de location.
- Les produits situés à l'extérieur des États-Unis ou du Canada.
- Les frais de service supplémentaires dans le cas où un réparateur doit effectuer des réparations en plus des réparations normales, en dehors des heures de service normales ou encore dans une région à l'extérieur de son district habituel.
- Des réglages après la deuxième année.
- Des réparations résultant de raisons suivantes :
 - Installation, système d'évacuation ou entretien incorrects.
 - Toute modification ou tout réglage non autorisés par Jenn-Air.
 - Tout accident, mauvaise utilisation, usage abusif, incendie, inondation ou catastrophe naturelle.
 - Raccordement incorrect à l'alimentation de gaz ou à l'alimentation électrique, de tension ou intensité incorrecte.
 - Utilisation d'ustensiles, contenants ou accessoires incorrects qui endommagent le produit.
- Déplacement.

Si l'intervention d'un dépanneur est nécessaire

- Contacter le détaillant chez qui l'appareil a été acheté, ou contacter le service à la clientèle de Maytag au 1-800-JENNAIR (1-800-536-6247) aux É.-U. et Canada, pour obtenir les coordonnées d'une agence de service agréée.
- Veiller à conserver la facture d'achat pour justifier de la validité de la garantie. Pour d'autres informations en ce qui concerne les responsabilités du propriétaire à l'égard du service sous garantie, voir le texte de la GARANTIE.
- Si le détaillant ou l'agence de service après-vente ne peut résoudre le problème, écrire à Maytag ServicesSM, attention CAIR[®] Center, P.O. Box 2370, Cleveland, TN 37320-2370 ou téléphoner au **1-800-JENNAIR (1-800-536-6247)** aux É.-U. et Canada.
REMARQUE : Lors de tout contact concernant un problème, fournir l'information suivante :
 - a. Nom, adresse et numéro de téléphone du client ;
 - b. Numéro de modèle et numéro de série de l'appareil ;
 - c. Nom et adresse du détaillant ou de l'agence de service ;
 - d. Description claire du problème observé ;
 - e. Preuve d'achat (facture de vente).
- Les guides d'utilisation, les manuels de service et les renseignements des pièces sont disponibles auprès de Maytag ServicesSM, service à la clientèle de Jenn-Air.

EN AUCUN CAS MAYTAG NE SERA TENUE RESPONSABLE DE DOMMAGES DIRECTS OU INDIRECTS.

Cette garantie vous confère des droits juridiques spécifiques. Vous pouvez également jouir d'autres droits, variables d'un état à un autre ou d'une province à une autre. Par exemple, certains états ou provinces ne permettent pas l'exclusion ou la limitation de dommages directs ou indirects. Cette limitation peut donc ne pas s'appliquer dans votre cas.

Horno de Microondas

Guía del Usuario

JMC8127DD/JMC8130DD

Instalador: Por favor deje este manual junto con el electrodoméstico.

Consumidor: Por favor lea y conserve este manual para referencia futura. Conserve el recibo de compra y/o el cheque cancelado como comprobante de compra.

Número de Modelo

Número de Serie

Fecha de Compra

En nuestro continuo afán de mejorar la calidad de nuestros electrodomésticos puede ser necesario modificar este electrodoméstico sin actualizar esta guía.

Si tiene preguntas, por favor escríbanos (incluya el número de modelo y su número de teléfono) o llame a:

Maytag Services SM

Attn: CAIR[®] Center

P.O. Box 2370

Cleveland, TN 37320-2370

1-800-JENNAIR (1-800-536-6247)

(EE. UU. y Canadá)

(Lunes a Viernes desde las 8:00

a.m. hasta las 8:00 p.m. Hora del Este)

Internet: <http://www.jennair.com>

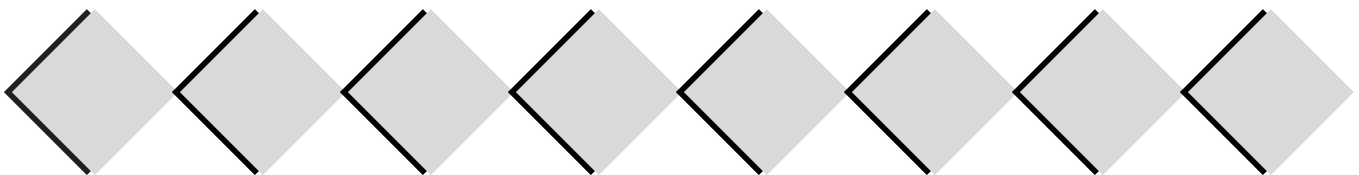
Tabla de Materias

Instrucciones Importantes Sobre Seguridad	42-44
Instalación y Funcionamiento	45-46
Utensilios de Cocina	47
Características	48-49
Panel de Control	50
Instrucciones de Funcionamiento	51-56
Tabla de Verduras Frescas	57
Cuidado y Limpieza	58
Localización y Solución de Averías	59
Garantía	60

Horno de Microondas Eléctrico

Conserve las instrucciones para referencia futura.

Asegúrese de que este manual permanezca con el horno.



INSTRUCCIONES IMPORTANTES DE SEGURIDAD

Información Sobre las Instrucciones de Seguridad

Las advertencias e instrucciones importantes sobre seguridad que aparecen en este manual no están destinadas a cubrir todas las posibles circunstancias y situaciones que puedan ocurrir. Se debe ejercer sentido común, precaución y cuidado cuando instale, efectúe mantenimiento o cuando use el microondas.

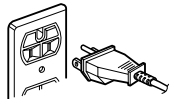
Siempre póngase en contacto con su distribuidor, agente de servicio o fabricante si surgen problemas o situaciones que usted no comprenda.

ADVERTENCIA

Para evitar el riesgo de un choque eléctrico o la muerte, este horno debe ser puesto a tierra y el enchufe no debe ser modificado.

Instrucciones para la Puesta a Tierra

El horno **DEBE** ser puesto a tierra. La puesta a tierra reduce la



Reconozca los Símbolos, Advertencias y Etiquetas de Seguridad

PELIGRO

PELIGRO — Riesgos inmediatos que CAUSARAN lesión personal grave o mortal.

ADVERTENCIA

ADVERTENCIA — Peligros o prácticas no seguras que PODRIAN causar lesión personal grave o mortal.

ATENCION

ATENCION — Peligros o prácticas no seguras que PODRIAN causar lesión personal menos grave.

posibilidad de un choque eléctrico ofreciendo un alambre de escape para la corriente eléctrica si es que ocurre un cortocircuito. Este horno está equipado con un cordón eléctrico provisto de un enchufe con puesta a tierra. El enchufe debe ser enchufado en un tomacorriente que esté debidamente instalado y puesto a tierra.

Consulte a un electricista o técnico calificado si no comprende bien las instrucciones de puesta a tierra o si tiene dudas respecto a la puesta a tierra del horno.

No use un cordón de extensión. Si el cordón eléctrico del aparato es demasia-

do corto, solicite a un electricista calificado que instale un tomacorriente de tres alvéolos. Este horno debe ser enchufado en un circuito separado de 60 Hz y usado con la alimentación eléctrica mostrada en la tabla de especificaciones. Cuando el horno comparte el circuito con otros equipos, pueden ser necesarios tiempos de cocción más largos y los fusibles se pueden fundir.

El horno de microondas funciona con la corriente estándar del hogar de 110-120V.

DECLARACION DE INTERFERENCIA DE RADIOFRECUENCIA DE LA COMISION FEDERAL DE COMUNICACIONES (EE.UU. SOLAMENTE)

Este equipo genera y usa energía de frecuencia ISM y si no es instalado y usado en forma debida, es decir en estricto cumplimiento con las instrucciones del fabricante, puede causar interferencia con la recepción de la radio y de la televisión. Se ha comprobado y confirmado que cumple con los límites estipulados para equipos ISM (Industriales, Científicos, Médicos) en virtud de la sección 18 del reglamentos de la FCC, que han sido diseñados para proveer protección razonable contra tal interferencia en una instalación residencial.

Sin embargo, no se garantiza que no ocurrirá interferencia en alguna instalación determinada. Si este equipo causa interferencia con la recepción de radio y de televisión, lo cual puede ser determinado apagando y encendiendo el equipo, se recomienda que el usuario trate de corregir la interferencia mediante una o más de las siguientes recomendaciones:

- Cambie de dirección la antena de recepción de la radio o televisión.
- Ubique en otro lugar el horno de microondas con respecto al receptor.
- Mueva el horno de microondas a un lugar alejado del receptor.
- Enchufe el microondas en un tomacorriente diferente de modo que el microondas y el receptor estén en circuitos diferentes.

El fabricante no es responsable de ninguna interferencia de radio o televisión causada por **modificación no autorizada** a este horno de microondas. Es responsabilidad del usuario corregir tal interferencia.

CONSERVE ESTAS INSTRUCCIONES

Reconozca este símbolo como un mensaje de **SEGURIDAD**

ADVERTENCIA

Cuando use aparatos eléctricos, se deben seguir instrucciones de seguridad básicas para reducir el riesgo de quemaduras, choque eléctrico, incendio, lesión a personas o exposición excesiva a energía de microondas.

1. **LEA** todas las instrucciones antes de usar este artefacto.
2. **LEA Y SIGA** las “**PRECAUCIONES** específicas **PARA EVITAR POSIBLE EXPOSICION A ENERGIA DE MICROONDAS EXCESIVA**” en la sección **INSTRUCCIONES IMPORTANTES DE SEGURIDAD**.
3. Este horno **DEBE SER PUESTO A TIERRA**. Enchúfelo solamente en un tomacorriente **PUESTO A TIERRA** en forma debida. Vea las **INSTRUCCIONES DE PUESTA A TIERRA** en el folleto *Instrucciones de Instalación*.
4. Instale o ubique este artefacto **SOLAMENTE** de acuerdo con las instrucciones de instalación.
5. Algunos productos tales como huevos enteros y envases sellados – por ejemplo, frascos de vidrios cerrados – pueden explotar y **NO DEBEN** ser **CALENTADOS** en este horno.
6. Use este artefacto **SOLAMENTE** para el propósito que ha sido diseñado como se describe en este manual. No use productos químicos ni vapores corrosivos en este artefacto. Este tipo de horno ha sido específicamente diseñado para calentar, cocinar o secar alimento. No ha sido diseñado para uso industrial o de laboratorio.
7. Al igual que con cualquier electrodoméstico, es necesaria una **SUPERVISION Estricta** cuando es usado por **NIÑOS o PERSONAS ENFERMAS**.
8. Vea las instrucciones de limpieza de la puerta en la sección Cuidado y Limpieza de este manual, en la página 58.
9. Los frascos de alimentos de bebé deben ser abiertos para calentarlos y el contenido debe revolverse o sacudirse antes del consumo, para evitar quemaduras.
10. **NO** use este horno para propósitos comerciales. Fue fabricado para uso doméstico solamente.
11. **NO** caliente mamaderas en el horno.
12. **NO** haga funcionar este artefacto si el cordón eléctrico o el enchufe están dañados, si no está funcionando en forma debida o si se ha dañado o dejado caer.
13. Este horno, incluyendo el cordón eléctrico, debe ser reparado **SOLAMENTE** por personal de servicio calificado. Póngase en contacto con el centro de servicio autorizado más cercano para examinar, reparar o ajustar el horno.
14. **NO** cubra ni bloquee el filtro u otros orificios del horno.
15. **NO** guarde este artefacto al aire libre. **NO** use este producto cerca del agua – por ejemplo, cerca de un fregadero, en un sótano húmedo, cerca de una piscina o lugares similares.
16. **NO** sumerja el cordón eléctrico o el enchufe en el agua.
17. Mantenga el cordón eléctrico **ALEJADO** de las superficies **CALIENTES**.
18. **NO** deje que el cordón eléctrico cuelgue sobre el borde de la mesa o de la encimera.

PRECAUCIONES PARA EVITAR POSIBLE EXPOSICION A ENERGIA DE MICRO-ONDAS EXCESIVA

- A. **NO** intente hacer funcionar este horno con la puerta abierta pues se puede producir exposición perjudicial a la energía de microondas. Es importante no modificar ni alterar los entrecierres de seguridad.
- B. **NO** coloque ningún objeto entre la parte delantera del horno y la puerta ni deje que se acumule suciedad o residuos de limpiadores en las superficies de sellado.
- C. **NO** haga funcionar este horno si está dañado. Es particularmente importante que la puerta del horno cierre bien y que no se haya dañado:
 1. la puerta (doblada)
 2. las bisagras y pestillos (rotos o sueltos)
 3. las juntas de la puerta y superficies de sellado.
- D. El horno no debe ser ajustado ni reparado por ninguna persona que no sea personal de servicio calificado.

CONSERVE ESTAS INSTRUCCIONES

INSTRUCCIONES IMPORTANTES DE SEGURIDAD

ATENCION

Para evitar lesión personal o daños materiales observe lo siguiente:

1. No fría con grasa en el horno. La grasa puede sobrecalentarse y ser peligrosa de manipular.
2. No cocine ni recaliente huevos enteros o sin romper la yema usando energía de microondas. Puede haber acumulación de presión y reventar. Perfore la yema con el tenedor o un cuchillo antes de cocinar.
3. Perfore la cáscara de las papas, tomates y alimentos similares antes de cocinarlos con energía microondas. Cuando la cáscara es perforada, el vapor escapa uniformemente.
4. No haga funcionar el horno sin tener alimentos en su interior.
5. Use solamente palomitas de maíz en envases diseñados y etiquetados para uso en microondas. Las palomitas de maíz comienzan a reventar en distintos momentos dependiendo de los vatios del horno. No continúe calentando después de que han dejado de reventar. Las palomitas se quemarán. No deje el horno sin supervisión.
6. No use termómetros regulares de cocina en el horno. La mayoría de los termómetros de cocina contienen mercurio y pueden causar un arco eléctrico, malfuncionamiento o daño al horno.
7. No use utensilios metálicos en el horno.
8. Nunca use papel, plástico u otros materiales combustibles que no estén destinados para cocinar con ellos.
9. Cuando cocine con papel, plástico u otros materiales combustibles, siga las recomendaciones del fabricante sobre el uso del producto.
10. No use toallas de papel que contengan nilón u otra fibra sintética. Las fibras sintéticas calentadas pueden derretirse y encender el papel.
11. No caliente bolsas de plástico ni envases sellados en el horno. El líquido o el alimento puede expandirse rápidamente y causar la rotura del envase o de la bolsa. Perfore o abra el envase o la bolsa antes de cocinar.
12. Para evitar malfuncionamiento de los marcapasos, consulte a su médico o al fabricante del marcapaso respecto a los efectos de la energía de microondas en el marcapaso.

ATENCION

A fin de evitar el peligro de incendio en la cavidad del horno:

- a. **NO** cocine demasiado el alimento. Preste cuidadosa atención al horno cuando coloque en su interior papel, plástico u otros materiales combustibles.
- b. Retire las ataduras de alambre de las bolsas de papel o de plástico antes de colocar la bolsa en el horno.
- c. Si algún material dentro del horno se enciende, **MANTENGA LA PUERTA DEL HORNO CERRADA**. Apague el horno y desenchufe el cordón eléctrico o desconecte la energía eléctrica en el panel de fusibles o del disyuntor.
- d. **NO** use la cavidad del horno para almacenamiento. **NO** guarde artículos de papel, utensilios de cocina o alimentos en la cavidad del horno cuando no esté en uso.

ADVERTENCIA

Los líquidos tales como el agua, café o té pueden calentarse más allá del punto de ebullición sin que parezca que están hirviendo debido a la tensión superficial del líquido. No siempre se verán las burbujas o hervor cuando el envase es retirado del horno. **ESTO PUEDE RESULTAR EN QUE LOS LIQUIDOS MUY CALIENTES SE DERRAMEN REPENTINAMENTE CUANDO SE INSERTA EN EL LIQUIDO UNA CUCHARA U OTRO UTENSILIO.** Para reducir el riesgo de lesión a personas:

1. No sobrecaliente el líquido.
2. Revuelva el líquido antes y a la mitad de calentarse.
3. No use envases con lados rectos y cuellos estrechos.
4. Después de calentar, deje el envase en el horno de microondas por un corto tiempo antes de retirarlo.
5. Use extremo cuidado cuando inserte una cuchara u otro utensilio en el contenedor.

CONSERVE ESTAS INSTRUCCIONES

CIRCUITOS

Para propósitos de seguridad este horno debe ser enchufado en un circuito de 15 o 20 amperios. Ningún otro artefacto eléctrico o circuitos de iluminación deben estar en esta línea. Si tiene duda, consulte a un electricista autorizado.

VOLTAJE

El voltaje usado en el tomacorriente mural debe ser el mismo especificado en la placa de identificación del horno situada en el interior de la puerta del horno. El uso de un voltaje más alto es peligroso y puede ocasionar un incendio u otro tipo de accidente causando daño al horno. El voltaje bajo puede causar cocción lenta. En caso de que su horno de microondas no funcione normalmente a pesar de tener el voltaje apropiado, retire y vuelva a insertar el enchufe.

DESEMPAQUE DEL HORNO

- Inspeccione el horno para verificar si tiene daño tales como abolladuras en la puerta o dentro de la cavidad del horno.
- Reporte inmediatamente cualquier abolladura o rotura al lugar de compra. **No intente usar el horno si está dañado.**
- Retire todos los materiales del interior del horno.
- Si el horno ha estado guardado en un área extremadamente fría, espere unas pocas horas antes de enchufarlo.

UBICACION DEL HORNO

Su horno de microondas puede ser fácilmente ubicado en su cocina, sala de estar o en cualquier otra habitación de su hogar. Coloque el horno sobre una superficie plana tal como la encimera de la cocina o un carrito especialmente diseñado para hornos de microondas. No coloque el horno sobre una estufa a gas o eléctrica. Es importante que el aire circule libremente alrededor del horno. No coloque el horno sobre una estufa a gas o eléctrica. La exposición al calor proveniente de una superficie de cocción causará daño al horno de microondas.

NO BLOQUEE LOS RESPIRADEROS

Todos los respiraderos deben ser mantenidos libres durante la cocción. Si los respiraderos son obstruidos durante el funcionamiento del horno, el horno puede sobrecalentarse. En tal caso, un dispositivo de seguridad de protección térmica automáticamente apaga el horno. El horno no podrá ser usado hasta que no se haya enfriado suficientemente.

OBTENGA LOS MEJORES RESULTADOS DE SU HORNO DE MICROONDAS

Preste atención. Las instrucciones en este libro han sido formuladas con gran cuidado, pero el éxito en la preparación de los alimentos depende, por supuesto, de cuanta atención preste al alimento cuando está cocinando. Siempre observe el alimento mientras se cocina. Su horno de microondas está equipado con una luz que se enciende automáticamente cuando el horno está en funcionamiento de modo que usted puede ver el interior y verificar el progreso de su receta. Las instrucciones dadas en las recetas para elevar, revolver y otras similares deben ser consideradas como los pasos mínimos recomendados. Si el alimento parece que no se está cocinando en forma pareja, simplemente haga los ajustes necesarios que usted crea convenientes para corregir el problema.

Factores que afectan los tiempos de cocción. Muchos factores afectan los tiempos de cocción. La temperatura de los ingredientes usados en una receta afecta en gran parte los tiempos de cocción. Por ejemplo, un pastel hecho con mantequilla, leche y huevos fríos se demorará mucho más tiempo en cocinarse que uno hecho con ingredientes que están a temperatura ambiente. Todas las recetas en este libro le dan un límite de tiempo de cocción. En general, usted encontrará que los alimentos quedan un poco crudos al final del límite de tiempo más bajo y usted puede algunas veces querer cocinar su alimento más allá del límite máximo dado, de acuerdo con su preferencia personal. La filosofía en que se

basa este manual es que es mejor que una receta sea conservadora al dar los tiempos de cocción. Los alimentos que no están bien cocidos siempre pueden cocerse un poco más, en cambio los alimentos sobrecocidos no tienen solución. Algunas de las recetas, particularmente aquellas para panes, pasteles y flanes, recomiendan que el alimento sea retirado del horno cuando todavía no estén bien cocido. Esto no es un error. Cuando se dejan reposar, generalmente tapados, estos alimentos continúan cocinándose fuera del horno pues el calor atrapado en la parte exterior de los alimentos gradualmente se introduce hacia adentro. Si los alimentos se dejan en el horno hasta que estén bien cocidos, la parte exterior quedará sobrecocida o hasta puede quemarse.

A medida que usted obtiene experiencia en usar su horno de microondas, usted adquirirá más destreza para estimar tanto los tiempos de cocción como de reposo para diversos alimentos.

TECNICAS ESPECIALES PARA COCINAR CON MICROONDAS

Dorado: Las carnes de vacuno y de ave que son cocinadas 15 minutos o más quedarán ligeramente doradas con su propia grasa. Los alimentos que son cocinados por un período de tiempo más corto pueden ser untados con una salsa de dorar para lograr un color apetecedor. Las salsas de dorar que se usan más comúnmente son la salsa 'Worcestershire', la salsa de soya y la salsa de barbacoa. Debido a que se agregan cantidades relativamente pequeñas de salsas de dorar a los alimentos, el sabor original de la receta no se altera.

Cubrir con tapas: Las tapas atrapan el calor y el vapor de modo que el alimento puede cocinarse más rápidamente. Usted puede usar ya sea una tapa o plástico adherente para microondas con una esquina doblada hacia atrás para evitar que se rasgue.

Cubrir con papel encerado: El papel encerado evita en forma efectiva las salpicaduras y ayuda a que los alimentos retengan el calor. Debido a que queda más

Instalación y Funcionamiento (cont.)

suelto que una tapa o que la envoltura de plástico, permite que los alimentos queden ligeramente secos.

Envoltura en papel encerado o toalla de papel: Los emparedados y muchos otros alimentos que contienen pan prehecho deben ser envueltos antes de ponerlos en el horno de microondas para evitar que se sequen.

Distribución y espaciamento: Los alimentos individuales tales como las papas al horno, pequeños pasteles y canapés se calentarán en forma más pareja si son colocados en el horno a una misma distancia uno del otro, preferiblemente en círculo. Nunca apile alimentos uno sobre otro.

Revolver: Revolver es una de las técnicas de cocinar en microondas más importantes. Cuando se cocina en estufas tradicionales, los alimentos se revuelven con el fin de mezclarlos. Los alimentos en el microondas, sin embargo, son revueltos para esparcir y redistribuir el calor. Siempre revuelva desde afuera hacia el centro pues el alimento de afuera se calienta primero.

Dar vuelta: Los alimentos grandes y altos, tales como asados y pollos enteros deben ser dados vuelta para que la parte superior e inferior se cocinen en forma pareja. Es además una buena idea dar vuelta las presas de pollo y las chuletas.

Colocación de las porciones más gruesas cerca del borde: Debido a que las microondas son atraídas hacia la parte exterior de los alimentos, es conveniente colocar las porciones de carne más gruesas, la carne de pollo y de pescado en el borde exterior de la fuente de hornear. De esta manera, las porciones más gruesas recibirán la mayor parte de la energía de microondas y los alimentos se cocinarán en forma pareja.

Elevación: Los alimentos gruesos o densos son a menudo elevados de manera que las microondas puedan ser absorbidas por el lado inferior y el centro de los alimentos.

Agujerear: Los alimentos que tienen cáscara, piel o membrana pueden reventar en el horno a menos que sean agujereados antes de ser cocinados. Tales alimentos

incluyen tanto las yemas y las claras de los huevos, las almejas y los ostiones y muchos otros vegetales y frutas enteras.

Prueba de los alimentos: Debido a que los alimentos se cocinan tan rápidamente en un horno de microondas, es necesario probar el alimento con frecuencia. Algunos alimentos son dejados en el microondas hasta que están completamente cocinados, pero la mayoría de los alimentos, incluyendo las carnes de vacuno y de ave son retiradas del horno cuando todavía no están bien cocidas y se dejan terminar de cocer durante el tiempo de reposo. La temperatura interna de los alimentos se elevará entre 5°F (3°C) y 15°F (8°C) durante el tiempo de reposo.

Tiempo de reposo: Los alimentos a menudo se dejan reposar de 3 a 10 minutos después de que han sido sacados del horno de microondas. Generalmente los alimentos se cubren durante el tiempo de reposo para retener el calor, a menos que se desea que su textura sea seca (algunos pasteles y bizcochos, por ejemplo). El reposo permite que los alimentos se terminen de cocinar y también ayuda a que los sabores se mezclen y desarrollen.

COMO AFECTAN LAS CARACTERISTICAS DEL ALIMENTO LA COCCION EN EL MICROONDAS

Densidad de los alimentos: Los alimentos ligeros y porosos tales como pasteles y panes se cocinan más rápidamente que los alimentos densos y pesados tales como los asados y cacerolas. Usted debe tener cuidado cuando cocine en el horno de microondas alimentos porosos a fin de evitar que los bordes exteriores se sequen y queden quebradizos.

Altura de alimentos: La parte superior de los alimentos altos, particularmente asados, se cocinará más rápidamente que la parte inferior. Por lo tanto, se aconseja dar vuelta todos los alimentos altos durante la cocción, en algunos casos, varias veces.

Contenido de humedad de los alimentos: Debido a que el calor generado de las microondas tiende a evaporar la humedad, los alimentos relativamente secos tales como asados y algunos vegetales deben ser rociados con agua antes de cocinarlos o cubiertos para que retengan la humedad.

Contenido de grasa y huesos de los alimentos: Los huesos conducen el calor y la grasa se cocina más rápidamente que la carne. Por lo tanto, se debe tener cuidado cuando se cocinan cortes de carne con huesos o grasos para que la carne se cocine en forma pareja y no quede sobrecocida.

NOTA: Es un concepto erróneo común que las microondas cocinan el alimento desde adentro hacia afuera. Esta creencia viene de calentar pasteles rellenos con un alto contenido de azúcar, como las rosquillas con jalea. ¡La rosquilla está fría pero el relleno está muy caliente! Si usted cocina un pollo o un asado, usted comprobará que primero se cocina la parte exterior.

Formas de los alimentos: Las microondas penetran solamente aproximadamente 1 pulgada (2,5 cm) en los alimentos; la porción interior de los alimentos gruesos es cocinada a medida que el calor generado en la parte exterior se introduce hacia adentro. En otras palabras, solamente el borde exterior de cualquier alimento es realmente cocinado por la energía de microondas; el resto es cocinado por conducción.

Se deduce entonces que la peor forma posible para un alimento que va a ser cocinado en el horno de microondas es un cubo grueso. Las esquinas se quemarán mucho antes de que el centro comience a calentarse. Los alimentos de forma redonda, delgados y en forma de anillo se cocinan con más éxito en el horno de microondas.

Cantidad de alimentos: El número de microondas en su horno permanece constante independiente de cuanto alimento está siendo cocinado. Por lo tanto, mientras más alimento cocine en el horno, más se demorará en cocinarse. Recuerde disminuir los tiempos de cocción por lo menos en un tercio cuando divida una receta.

ATENCION

Para evitar el riesgo de una lesión personal o daños materiales, no use en el horno utensilios de gres, papel de aluminio, utensilios de metal o utensilios con adornos de metal.

UTENSILIOS RESISTENTES AL HORNO DE MICROONDAS

Nunca use utensilios de metal o con adorno de metal en su horno de microondas: Las microondas no pueden penetrar el metal. Ellas rebotan de cualquier objeto de metal en el horno y pueden causar arco eléctrico, un fenómeno alarmante parecido a los rayos. En el horno de microondas se pueden usar con seguridad la mayoría de los utensilios de cocina resistentes al calor no metálicos. Sin embargo, algunos pueden contener materiales que los dejan inapropiados para usar en el microondas. Si usted tiene dudas acerca de algún utensilio en particular, hay una manera sencilla de comprobar si puede o no ser usado en su horno de microondas.

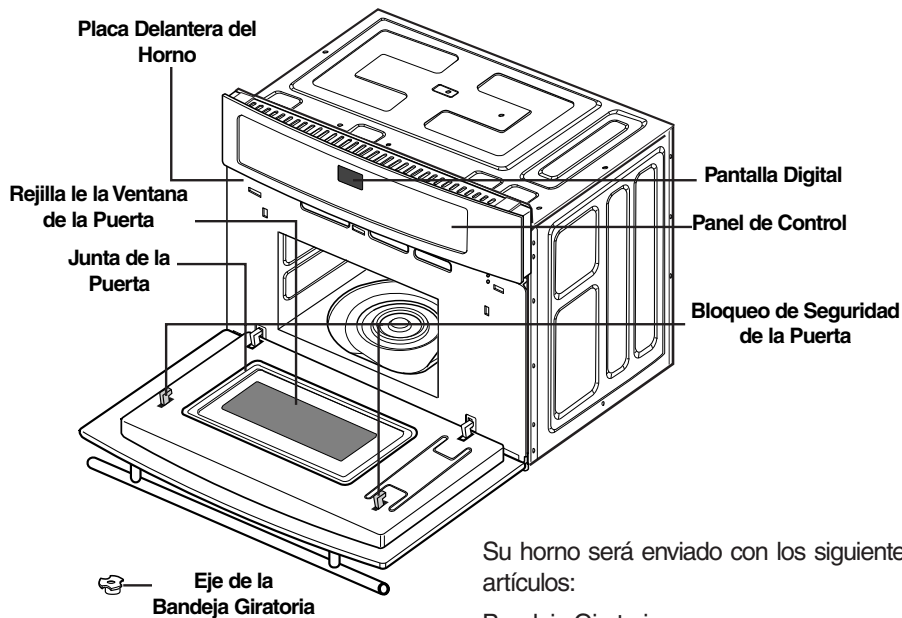
Prueba de los utensilios para uso en el horno de microondas: Coloque el utensilio junto a una fuente de vidrio llena de agua en el horno de microondas. Programe potencia ALTA durante 1 minuto. Si el agua se calienta pero el utensilio permanece frío al tocarlo, el utensilio es resistente a las microondas. Sin embargo, si el agua no cambia de temperatura y el utensilio se calienta, las microondas están siendo absorbidas por el utensilio y no es seguro para ser usado en el horno de microondas. Usted probablemente tiene muchos artículos en su cocina que pueden ser usados en el horno de microondas.

Compruebe la lista que se incluye a continuación.

- 1. Platos de comida:** Muchos tipos de loza son resistentes al microondas. Si tiene duda, consulte la documentación del fabricante o realice la prueba del microondas indicada anteriormente.
- 2. Cristalería:** Los utensilios de vidrio que sean resistentes al calor son resistentes al microondas. Esto incluye todas las marcas de utensilios de vidrio templados en horno. Sin embargo, no use cristalería delicada, tales como vasos de whisky o de vino pues pueden quebrarse cuando el alimento se va calentando.
- 3. Papel:** Los platos y contenedores de papel son convenientes y seguros para usar en su horno de microondas, siempre que el tiempo de cocción sea corto y que los alimentos que van a ser cocinados no tengan grasa ni humedad. Las toallas de papel también son muy útiles para envolver alimentos y para forrar bandejas de hornear en las cuales se cocinan alimentos grasosos, tales como tocino. En general, evite los productos de papel con color pues los colores pueden correrse.
- 4. Contenedores de plástico:** Estos pueden usarse para guardar alimentos que van a ser recalentados rápidamente. Sin embargo, ellos no deben ser usados para guardar alimentos que necesitarán un tiempo prolongado en el horno pues los alimentos calientes eventualmente pueden deformar o derretir los contenedores de plástico.
- 5. Bolsas de cocinar de plástico:** Estas son resistentes al microondas siempre que sean especialmente hechas para cocinar. Sin embargo, asegúrese de hacer un corte en la bolsa para que escape el vapor. Nunca use bolsas de plástico común para cocinar en su horno de microondas, pues ellas se pueden derretir y romper.
- 6. Utensilios de cocina de plástico para hornos de microondas:** Existen una variedad de formas y tamaños de utensilios de cocina para el microondas. En la mayoría de los casos, usted puede probablemente cocinar con los artículos que usted ya tiene en vez de invertir en un nuevo equipo de cocina.
- 7. Arcilla, gres y cerámica:** Los contenedores que están hechos de estos materiales generalmente pueden ser usados en su horno de microondas, pero deben ser probados primero para mayor seguridad.

Características

NOTA: Este artefacto no ha sido diseñado para 50 Hz ni para ningún otro circuito a excepción de un circuito de 120 voltios/60 Hz CA. Este horno ha sido diseñado para instalación encastrada. Especificaciones sujetas a cambio sin aviso previo.



Su horno será enviado con los siguientes artículos:

- Bandeja Giratoria 1
- Manual del Usuario y Guía de Cocción . . 1
- Eje de la Bandeja Giratoria 1
- Anillo Giratorio 1

Este horno de microondas ha sido diseñado para uso doméstico solamente. No se recomienda para propósitos comerciales y esto anularía la garantía.

ESPECIFICACIONES DEL HORNO JMC8127DD

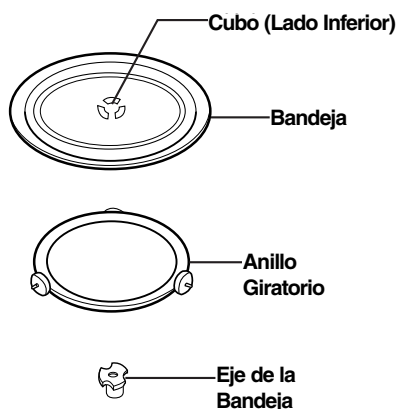
Alimentación Eléctrica	120 VAC, 60 Hz
Corriente de Entrada	13 A
Consumo de Energía	1.500 W
Salida (Norma IEC 60705)	1.000 W
Capacidad del Horno	1,5 pies cúbicos (0,042 m ³)
Diámetro de la Bandeja	32,4 cm (12 3/4")
Peso (aprox.): Negro/Blanco/Bizcocho de Porcelana	69,8 libras (31,7 kg)
Acero Inoxidable	71,8 libras (32,6 kg)
Dimensiones Exteriores (Ancho x Alto x Profundidad)	68,0 cm (26 3/4") x 59,5 cm (23 7/16") x 51,3 cm (20 3/16")

JMC8130DD

Alimentación Eléctrica	120 VAC, 60 Hz
Corriente de Entrada	13 A
Consumo de Energía	1.500 W
Salida (Norma IEC 60705)	1.000 W
Capacidad del Horno	1,5 pies cúbicos (0,042 m ³)
Diámetro de la Bandeja	32,4 cm (12 3/4")
Peso (aprox.): Negro/Blanco/Bizcocho de Porcelana	76,7 libras (34,8 kg)
Acero Inoxidable	78,7 libras (35,7 kg)
Dimensiones Exteriores (Ancho x Alto x Profundidad)	75,6 cm (29 3/4") x 59,5 cm (23 7/16") x 51,3 cm (20 3/16")

INSTALACION DE LA BANDEJA GIRATORIA

1. Coloque el anillo giratorio en la parte inferior de la cavidad.
2. Coloque la bandeja giratoria sobre el anillo giratorio como se muestra en la ilustración. Asegúrese de que el cubo de la bandeja quede firmemente bloqueada en el eje de la bandeja giratoria.

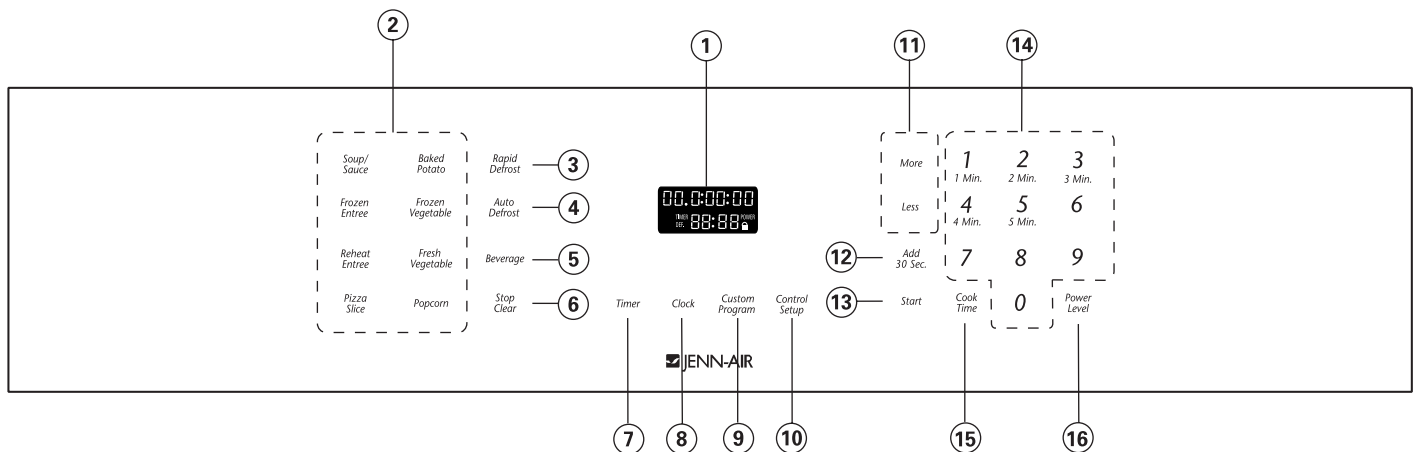


- Nunca coloque la bandeja giratoria al revés. No se debe nunca impedir el movimiento de la bandeja giratoria.
- Tanto el anillo giratorio como la bandeja deben ser siempre usados cuando se cocina.
- Todos los alimentos y contenedores deben ser siempre colocados en la bandeja para cocinarlos.
- La bandeja gira a la derecha y a la izquierda; esto es normal.
- Si la bandeja o el anillo rotatorio se rompen, póngase en contacto con su centro de servicio autorizado más cercano para mayor información respecto al reemplazo.

INSTALACION ENCASTRADA

- Cuando se instala un horno encastrado se requiere una cavidad:
 - Horno de microondas de 27" (68,6 cm):
 $25\frac{1}{2}'' \pm \frac{1}{16}''$ (Ancho) x $22\frac{1}{2}'' \pm \frac{1}{16}''$ (Alto) x $23\frac{1}{2}''$ mín. (Profundidad) / $64,77 \pm 0,16$ cm (Ancho) x $57,15 \pm 0,16$ cm (Alto) x $59,69$ cm mín. (Profundidad)
 - Horno de microondas de 30" (76,2 cm):
 $28\frac{1}{2}'' \pm \frac{1}{16}''$ (Ancho) x $22\frac{1}{2}'' \pm \frac{1}{16}''$ (Alto) x $23\frac{1}{2}''$ mín. (Profundidad) / $72,39 \pm 0,16$ cm (Ancho) x $57,15 \pm 0,16$ cm (Alto) x $59,69$ cm mín. (Profundidad)
- Si se bloquea la abertura de entrada y/o salida puede causar daño al horno.
- Enchufe el horno en un tomacorriente estándar del hogar de 120 voltios/60 Hz. Asegúrese de que el circuito eléctrico es por lo menos de 15 amperios y que el microondas es el único artefacto en ese circuito.

Panel de Control



1. Pantalla Indicadora

Línea superior: En la pantalla aparecen instrucciones que le guían cuando programa el reloj y también en cada etapa de operación. La línea superior también muestra el nivel de potencia cuando usa cocción por reloj.

Línea inferior: Muestra la cuenta regresiva del tiempo de cocción en minutos y/o segundos. Muestra la hora cuando el horno no está en uso. Muestra la hora del temporizador de la cocina cuando se selecciona esta característica.

2. Teclas del Sensor Automático (págs. 54-55)

- Soup/Sauce (Sopa/Salsa)
- Reheat Entree (Recalentar Plátano Principal)
- Frozen Entree (Plátano Principal Congelado)
- Pizza Slice (Rebanada de Pizza)
- Popcorn (Palomitas de Maíz)
- Baked Potato (Papas al Horno)
- Fresh Vegetable (Verduras Frescas)
- Frozen Vegetable (Verduras Congeladas)

Estas teclas del sensor ofrecen cocción por microondas exacta y rápida para una variedad de alimentos populares sin tener que adivinar.

3. 'Rapid Defrost' (Descongelación Rápida) (pág. 56)

Proporciona resultados de descongelación más rápidos. Esta opción es excelente para 1 libra (450 g) de carne de res molida congelada.

4. 'Auto Defrost' (Descongelación Automática) (pág. 55)

5. 'Beverage' (Bebida) (pág. 53)

Esta tecla calienta de una a tres tazas de 8 onzas (250 mL).

6. 'Stop/Clear' (Parada/Cancelar)

Cancela todos los ajustes anteriores si se oprime esta tecla antes de comenzar la cocción. Oprima una vez para detener el horno durante la cocción; oprima dos veces para detener el horno y cancelar todos los ajustes.

7. 'Timer' (Temporizador) (pág. 51)

8. 'Clock' (Reloj) (pág. 51)

9. 'Custom Program' (Programa Personalizado) (pág. 51)

10. 'Control Setup' (Programación de los Controles) (pág. 53)

Permite la personalización de las siguientes características del horno:

- Sound (Sonido)
- Clock Display (Despliegue del Reloj)
- Display Scroll Speed (Despliegue de la Velocidad de Desplazamiento)
- Lbs/Kg (Libras/Kg)
- Volume Level (Nivel del Volumen)
- Language Option (Opción de la Idioma)

11. 'More/Less' (Más/Menos) (pág. 53)

12. 'Add 30 Sec.' (Agregar 30 Segundos) (pág. 51)

13. 'Start' (Puesta en Marcha)

Para comenzar a cocinar

14. Teclas Numéricas

Permite el comienzo inmediato de uno de los 5 tiempos preseleccionados de 1 a 5 minutos.

15. 'Cook Time' (Tiempo de Cocción) (pág. 52)

16. 'Power Level' (Nivel de Potencia) (pág. 52)

Instrucciones de Funcionamiento

12 Hour 'CLOCK' and 'TIMER' (Reloj de 12 Horas y Temporizador)

El horno está equipado con un reloj de 12 horas y un temporizador que puede ser programado hasta 99 minutos y 99 segundos. El reloj no muestra AM o PM.

Para programar el reloj:

- Stop Clear* 1. Oprima la tecla 'STOP CLEAR'.
- Clock* 2. Oprima la tecla 'CLOCK'.
- La pantalla muestra 'ENTER TIME OF DAY' (Programa la hora del día).
3. Coloque la hora deseada usando las teclas numéricas.
- La pantalla muestra 'TOUCH START' (Oprima Start).
- Start* 4. Oprima 'START'

Para programar el temporizador:

- Stop Clear* 1. Oprima la tecla 'STOP CLEAR'.
- Timer* 2. Oprima la tecla 'TIMER'.
- La pantalla muestra 'ENTER TIME IN MIN. AND SEC.' (Programa la hora en minutos y segundos).
3. Programe el tiempo deseado usando las teclas numéricas.
- La pantalla muestra 'TOUCH START' (Oprima 'Start').
- Start* 4. Oprima 'START'
- Para cancelar el temporizador en cualquier momento, oprima la tecla 'STOP CLEAR'.

'ADD 30 SEC.' (Agregar 30 Segundos)

Esta tecla ahorra tiempo y le permite programar rápidamente y poner en marcha la cocción sin necesidad de oprimir la tecla 'START'.

NOTA: Si usted oprime 'Add 30 Sec.', agregará 30 segundos hasta 9 minutos, 59 segundos.

Ejemplo: Para programar un período de 2 minutos.

Add 30 Sec. Oprima la tecla 'Add 30 Sec.' 4 veces. El horno comienza a cocinar y muestra la cuenta regresiva del tiempo.

BLOQUEO CONTRA NIÑOS

Esta característica de seguridad evita que el horno sea usado sin autorización. Una vez que el bloqueo contra niños está programado, no se puede efectuar ningún tipo de cocción. La característica de bloqueo contra niños también es útil cuando limpia el panel de control. El bloqueo además evita la programación accidental cuando se está limpiando el panel de control.

Si el bloqueo contra niños está programado y usted oprime otra tecla, la palabra 'LOCKED' (Bloqueado) aparece en la pantalla. Cancele el bloqueo contra niños de acuerdo con el procedimiento siguiente:

Programación del bloqueo contra niños:

- Stop Clear* 1. Oprima 'STOP/CLEAR'.
- 0 2. Oprima y mantenga oprimida la tecla 0 hasta que la palabra 'LOCKED' (Bloqueado) aparezca en la pantalla y se escuchen dos señales sonoras.

Para cancelar el bloqueo contra niños:

- 0 Oprima y mantenga oprimida la tecla 0 hasta que la palabra 'LOCKED' (Bloqueado) desaparezca de la pantalla.

Después de que se haya desactivado la característica de BLOQUEO CONTRA NIÑOS, horno funcionará normalmente.

'CUSTOM PROGRAM' (Programa Personalizado)

Este programa le permite recuperar una instrucción de cocción que ha sido puesta previamente en la memoria y comenzar a cocinar inmediatamente.

Ejemplo: Para cocinar durante 2 minutos a 60% de potencia

Custom Program 1. Oprima la tecla 'CUSTOM PROGRAM'. La pantalla muestra 'TOUCH START OR ENTER NEW TIME' (Oprima 'Start' o programe el nuevo tiempo).

2. Programe el tiempo de cocción. La pantalla muestra 'TOUCH START OR POWER' (Oprima 'Start' o 'Power').

Power Level 3. Oprima la tecla 'POWER LEVEL' (Nivel de Potencia). La pantalla muestra 'ENTER POWER LEVEL 1 TO 10' (Programa el nivel de potencia de 1 a 10).

4. Programe el nivel de potencia 6. La pantalla muestra 'P60 TOUCH START' (P60 oprima 'Start').

Start 5. Oprima 'START'.

Para recuperar el programa personalizado:

Custom Program 1. Oprima la tecla 'CUSTOM PROGRAM'. La pantalla muestra 'TOUCH START OR ENTER NEW TIME' (Oprima 'Start' o programe el nuevo tiempo).

Start 2. Oprima 'START'.

Instrucciones de Funcionamiento (cont.)

‘COOK TIME’ (Tiempo de Cocción)

Esta función le permite cocinar alimentos durante una cantidad de tiempo deseada. Debido a que muchos alimentos necesitan cocción más lenta (menos de ‘HI-POWER’ - Potencia Alta), existen 10 niveles de potencia además de ‘HI-POWER’.

Cuando se ha completado la cocción, se escuchará una señal sonora. La pantalla muestra la palabra ‘**COOK-END**’. Después el horno se apaga por sí mismo.

NOTA: Si usted no selecciona el nivel de potencia, el horno funcionará en el nivel de potencia ‘HIGH’ (Alto). Para programar cocción con ‘HI-POWER’, omita los pasos 4 y 5 siguientes.

Ejemplo: Para cocinar alimento con un 80% de potencia (‘power 8’) durante 5 minutos 30 segundos

Cook Time

1. Oprima la tecla ‘**COOK TIME**’.
2. Oprima las teclas numéricas. La pantalla muestra ‘**ENTER COOK TIME**’ (programe el tiempo de cocción).

5 3 0
5 Min. 3 Min.

3. Programe 5 minutos 30 segundos oprimiendo [5], [3] y [0]. La pantalla muestra las palabras **5:30 ‘TOUCH START OR POWER**’ (Oprima ‘Start’ o Potencia).

Power Level

4. Oprima ‘**POWER LEVEL**’ (Nivel de Potencia). La pantalla muestra ‘**ENTER POWER LEVEL 1 TO 10**’ (Programe el nivel de potencia de 1 a 10).

8

5. Oprima **8** para seleccionar el nivel de potencia de 80%. La pantalla muestra las palabras ‘**P-80 TOUCH START**’ (P-80 Oprima ‘Start’).

Start

6. Oprima ‘**START**’

TABLA DE NIVELES DE POTENCIA DE MICROONDAS

Nivel de Potencia	Uso
10 (HIGH) [Alto]	<ul style="list-style-type: none"> • Hervir agua. • Hacer dulces. • Cocinar presas de pollo, pescado y verduras. • Cocinar cortes de carne blandos. • Cocer un pollo entero.
9	<ul style="list-style-type: none"> • Recalentar arroz, fideos y verduras.
8	<ul style="list-style-type: none"> • Recalentar rápidamente alimentos preparados. • Recalentar emparedados.
7	<ul style="list-style-type: none"> • Cocinar huevos, leche y platillos con queso. • Cocinar pasteles, panes. • Derretir chocolate.
6	<ul style="list-style-type: none"> • Cocinar ternera. • Cocinar un pescado entero. • Cocinar budines y flanes.
5	<ul style="list-style-type: none"> • Cocinar jamón, pollo entero, cordero. • Cocinar asado de costilla, lomo.
4	<ul style="list-style-type: none"> • Descongelar carne de vacuno, de ave y mariscos.
3	<ul style="list-style-type: none"> • Cocinar cortes de carne menos blandos. • Cocinar chuletas de cerdo, asar.
2	<ul style="list-style-type: none"> • Entibiar frutas. • Ablandar mantequilla.
1	<ul style="list-style-type: none"> • Mantener las cacerolas y los platillos principales calientes. • Ablandar mantequilla y queso de crema.
0	<ul style="list-style-type: none"> • Tiempo de reposo. • Temporizador independiente.

TIEMPO DE COCCION DE ETAPAS MULTIPLES

Para cocción en etapas múltiples, oprima ‘**COOK TIME**’ y repita los pasos 3 a 5 de la sección Tiempo de Cocción en la sección anterior antes de oprimir la tecla ‘**START**’.

‘Auto Defrost’ (Descongelación Automática) puede programarse antes de la primera etapa para descongelar primero y luego cocinar.

‘POWER LEVEL’ (Niveles de Potencia de Microondas)

Su horno de microondas cuenta con once niveles de potencia para mayor control y flexibilidad de la cocción. La tabla que se incluye a continuación le dará una idea de que alimentos se pueden preparar en cada uno de los diversos niveles de potencia.

‘MORE/LESS’ (Más/Menos)

Usando las teclas ‘MORE’ o ‘LESS’, todos los programas ‘Cook Time’, ‘Add 30 Sec.’, y ‘Sensor Cook’ pueden ser ajustadas para cocinar el alimento por un tiempo más largo o más corto. Si oprime ‘MORE’ agregará 10 segundos de tiempo de cocción cada vez que oprima la tecla. Si oprime ‘LESS’ quitará 10 segundos del tiempo de cocción cada vez que la oprime. Usted debe esperar hasta que la pantalla comience la cuenta regresiva antes de agregar o quitar tiempo.

Ejemplo: Para programar el tiempo de cocción del ‘SENSOR COOK’ (por ej. palomitas de maíz) para un tiempo más prolongado o para un tiempo más corto.

- Popcorn* 1. Oprima ‘POPCORN’. La pantalla muestra la palabra ‘POPCORN’.
2. Oprima la tecla ‘MORE’ o ‘LESS’ una vez que empiece la cuenta regresiva. ‘MORE’ o ‘LESS’ no funcionará cuando la pantalla está desplazando información.

‘BEVERAGE’ (Bebida)

Esta tecla calienta bebidas en tazas de 8 onzas (250 mL).

Ejemplo: Para calentar dos tazas de café de 8 onzas (250 mL):

- Beverage* 1. Oprima ‘BEVERAGE’. La pantalla muestra ‘BEV TOUCH 1 TO 3 CUPS’ (Bebida oprima 1 a 3 tazas).
2. Oprima el número 2. El horno comenzará a funcionar inmediatamente.

NOTA: Tenga cuidado, la bebida estará muy caliente. Algunas veces los líquidos calentados en contenedores cilíndricos salpicarán fuera de la taza cuando esta es movida.

‘CONTROL SET-UP’ (Programación de los Controles)

La tecla ‘CONTROL SET-UP’ le permite programar el horno para sus preferencias. Usted puede seleccionar sonido ‘SOUND ON/OFF’ (Sonido Activado/Desactivado), ‘CLOCK ON/OFF’ (Reloj Activado/Desactivado), ‘SCROLL SPEED’ (Velocidad de Desplazamiento), ‘LBS/KG’ (Libras y Kilos), ‘VOLUME LEVEL’ (Nivel del Volumen) y ‘LANGUAGE OPTION’ (Opción de la Idioma).

Ejemplo 1: Para desactivar la señal sonora.

- Control Setup* 1. Oprima ‘CONTROL SET-UP’. En la pantalla se mos-

trarán repetidamente cuatro modos.

1. Oprima 1. La pantalla muestra las palabras ‘SOUND ON TOUCH 1 OFF TOUCH 2’ (Activar Sonido Oprima 1 Desactivar Sonido Oprima 2).
2. Oprima 2. La pantalla muestra las palabras ‘SOUND OFF’ (Sonido Desactivado). La pantalla mostrará la hora actual del día.

NOTA: Para activar nuevamente la señal sonora, repita desde paso 1 al 2 y luego oprima el número 1.

Ejemplo 2: Para seleccionar kilogramos.

- Control Setup* 1. Oprima ‘CONTROL SET-UP’. En la pantalla aparecerán cuatro modos en forma continua.
2. Oprima 4. La pantalla muestra las palabras ‘LBS TOUCH 1 KG TOUCH 2’ (Libras Oprima 1 Kilogramos Oprima 2).
3. Oprima 2. La pantalla muestra las palabras ‘KG’. La pantalla mostrará la hora del día.

NOTA: Para seleccionar ‘LBS’ (Libras), repita desde el paso 1 al 2, luego, oprima el número 1.

TABLA DE PROGRAMACION DE LOS CONTROLES

NO.	FUNCION	SELECCION	OBSERVACIONES
1	SONIDO ACTIVADO/ DESACTIVADO (SOUND ON/SOUND OFF)	Sonido Activado o Sonido Desactivado Sound On or Sound Off	Todos los sonidos de las teclas y el sonido de Fin de Ciclo activados o desactivados.
2	RELOJ ACTIVADO/ DESACTIVADO (CLOCK ON/OFF)	Reloj Activado/Desactivado Clock On or Clock Off	Cuando el reloj está desactivado la pantalla está en blanco cuando el horno no está en uso.
3	VELOCIDAD DE DESPLAZAMIENTO (SCROLL SPEED)	Lente, Normal, o Rapido Slow, Normal, or Fast	Controla la velocidad del mensaje que se despliega en la pantalla.
4	LBS / KG	Lbs. or Kg	Programa el control para LIBRAS o KILOS para la característica de ‘Auto Defrost’ (Descongelación Automática).
5	NIVEL DEL VOLUMEN (VOLUME LEVEL)	Bas, Mediano, Alto Low, Medium, High	Programa el nivel del volumen.
6	OPCIÓN DE LA IDIOMA (LANGUAGE OPTION)	Inglés, Español, Francés English, Spanish, French	Selección de la idioma para la muestra de la pantalla.

NOTA: Cuando el cordón eléctrico es enchufado por primera vez, los ajustes implícitos son Sonido ACTIVADO, Reloj ACTIVADO, Velocidad Normal, LBS, Mediano y Inglés.

Instrucciones de Funcionamiento (cont.)

INSTRUCCIONES PARA LA COCCIÓN POR SENSOR

Se incluye en las páginas siguientes una tabla con ejemplos de alimentos específicos e instrucciones de cocción para la mayoría de los programas de Cocción por Sensor. El sistema de Cocción por Sensor trabaja detectando una acumulación de vapor.

Consejos

1. Asegúrese de que la puerta se mantenga cerrada.

2. Una vez que se detecta el vapor, se escucharán dos señales sonoras.
3. Si abre la puerta o se oprime la tecla 'STOP/CLEAR' antes de que se detecte el vapor, el proceso quedará nulo. El horno se apagará.
4. Antes de usar 'Sensor Cook', asegúrese de que el exterior del contenedor y el interior del horno estén secos, para asegurar los mejores resultados.
5. La temperatura ambiente no debe ser superior a 95° F (35° C).

6. El horno debe estar enchufado por lo menos 5 minutos antes de usar el sistema 'Sensor Cook'.

Categorías: Sopa/Salsa
Papas al Horno
Platillo Principal
Congelado
Verduras Congeladas
Recalentar Platillo Principal
Verduras Frescas
Rebanada de Pizza
Palomitas de Maíz

TABLA DE COCCIÓN POR SENSOR

Código	Categoría	Instrucciones	Cantidad
1	Soup/Sauce (Sopa/Salsa)	Cubra las sopas con envoltura de plástico resistente al microondas antes de calentarlas. Levante una esquina del plástico para ventilar 1/2 -1 pulgada (1,25-2,5 cm). Use un tazón, un plato o una taza resistentes al microondas. No cubra el utensilio con una tapa de vidrio. Deje reposar en el microondas un minuto después de cocinar. Llene el contenedor hasta la mitad o hasta 2/3 de la capacidad.	1-1/2 - 4 tazas (250 a 1.000 mL) 12-32 onzas
2	Baked Potato (Papas al Horno)	Agujeree cada papa con un tenedor y colóquela en la bandeja del horno alrededor del borde, por lo menos a una pulgada (2,5 cm) de distancia.	1 a 4 papas medianas, de aprox. 8 a 10 onzas (225 a 280 g) cada una
3	Frozen Entree (Platillo Principal Congelado)	Retire del paquete exterior, corte la cubierta. Si no viene en un contenedor resistente al microondas, coloque en un plato, cubra con envoltura de plástico y ventile.	10 a 21 onzas (280 a 588 g)
4	Frozen Vegetable (Verduras Congeladas)	Retire del paquete, enjuague la escarcha debajo del agua corriente. Coloque en un contenedor de tamaño apropiado resistente al microondas, cubra con envoltura de plástico y ventile.	1 a 4 tazas (250 a 1.000 mL)
5	Reheat Entree (Recalentar Platillo Principal)	Acomode los alimentos en el centro del plato o de una caserola y cubra con envoltura de plástico y ventile. Revuelva el alimento después de calentarlo. Los alimentos que no pueden ser revueltos (por ej. la lasaña) deben dejarse reposar cubiertos durante aproximadamente 5 minutos después de calentarlos.	10 a 21 onzas (280 a 588 g) Platillo principal congelado, cacerola, fideos, en salsa, etc.
6	Fresh Vegetable (Verduras Frescas)	Prepare como lo desee, lave y deje los residuos de agua en las verduras. Coloque en un contenedor de tamaño apropiado resistente al microondas, cubra con envoltura de plástico y ventile.	1 a 4 tazas (250 a 1.000 mL)
7	Pizza Slice (Rebanada de Pizza)	La pizza debe ser refrigerada pero no ser congelada. Coloque la pizza precocinada en una toalla de papel o en un plato de cartón. No la cubra. Coloque la pizza con la punta dirigida hacia el centro. ATENCIÓN: Tenga cuidado cuando coma pizza recalentada en un horno de microondas. La superficie de la pizza y la salsa pueden estar muy calientes.	1 - 3 rebanadas (3-5 onzas [85-140 g] /rebanada)
8	Popcorn (Palomitas de Maíz)	Siga las instrucciones del paquete. La bolsa debe estar a temperatura ambiente. No use esta característica si la bolsa de maíz es de más de 3 - 3,5 onzas (85 - 99 g).	3 - 3,5 onzas (85 - 99 g)

Si usted abre la puerta u oprime 'STOP/CLEAR' durante la detección, el proceso se cancelará.

COCCION POR SENSOR

La cocción por sensor le permite cocinar la mayoría de sus alimentos favoritos sin tener que seleccionar los tiempos de cocción ni los niveles de potencia. Este horno automáticamente determina el tiempo de cocción para cada alimento. Esta característica tiene 8 categorías de alimentos.

Ejemplo Para cocinar UN PLATILLO PRINCIPAL CONGELADO

Frozen Entree 1. Oprima **'FROZEN ENTREE'**. La pantalla muestra **'FROZEN ENTREE'** (Platillo principal congelado) y el microondas se pone en marcha automáticamente.

ATENCION

Cuando prepare palomitas de maíz:

- Después de que están listas, abra la bolsa con todo cuidado. Las palomitas y el vapor están extremadamente calientes.
- No vuelva a recalentar el maíz que no reventó ni tampoco vuelva a usar la bolsa. La sobrecocción puede causar un incendio en el horno.
- Nunca use una bolsa de papel de estraza para preparar palomitas de maíz.
- Si está usando un dispositivo especial para preparar palomitas de maíz en el microondas, siga las instrucciones del fabricante del dispositivo. No use la programa Sensor Cook para el maíz.

'AUTO DEFROST' (Descongelación Automática)

En el horno se han programado tres secuencias de descongelación. Esta característica le proporciona el mejor método para descongelar alimentos congelados. La GUIA DE DESCONGELACION AUTOMATICA (pg. 56) le indicará cual es la mejor secuencia de descongelación para el alimento que usted esté descongelando.

Con la característica 'Auto Defrost', el horno automáticamente programa el tiempo de descongelación y los niveles de potencia.

El horno automáticamente determina los tiempos de descongelación requeridos para cada alimento de acuerdo al peso que usted programe.

Para mayor conveniencia, la característica 'Auto Defrost' incluye un mecanismo incorporado de sonido que le recuerda cuando revisar, dar vuelta, separar o redistribuir el alimento. Se ofrecen tres niveles diferentes de descongelación.

1 'MEAT' (Carne)

2 'POULTRY' (Carne de Ave)

3 'FISH' (Pescado)

- Usted puede seleccionar la categoría oprimiendo la tecla numérica **1** ('MEAT'), la tecla numérica **2** ('POULTRY') y la tecla numérica **3** ('FISH') después de oprimir la tecla **'AUTO DEFROST'**.
- El peso disponible es de 0,1 a 6 libras (0,05 a 2,7 kilos).

Ejemplo: Para descongelar 1,2 libras (540 g) de carne de res molida

Auto Defrost 1. Oprima **'AUTO DEFROST'**. La pantalla muestra las palabras **'MEAT TOUCH 1'** **'POULTRY TOUCH 2'** **'FISH TOUCH 3'** (Carne oprima 1, Ave oprima 2, Pescado oprima 3).

1 2. Oprima **1**. La pantalla muestra las palabras **'ENTER WEIGHT'** (Programa el Peso).
1 Min.

1 **2** 3. Programe el peso oprimiendo **1** y **2**. La pantalla despliega las palabras **'1.2 LBS. TOUCH START'** (1,2 libras [540 g] Oprima 'Start')
1 Min. 2 Min.

Start 4. Oprima **'START'** (Puesta en Marcha). Comienza la descongelación.

NOTA:

Cuando se oprime la tecla **'START'**, la pantalla cambia a la cuenta regresiva del tiempo de descongelación. El horno emitirá una señal sonora durante el ciclo **'DEFROST'**. Cuando suena la señal sonora, abra la puerta y de vuelta, separe o redistribuya el alimento. Retire cualquier porción que se haya descongelado. Vuelva las porciones congeladas al horno y oprima **'START'** para reanudar el ciclo de descongelación.

- Para obtener mejores resultados, retire el pescado, mariscos, carne de res y carne de ave de sus envases originales de papel o de plástico. De lo contrario la envoltura puede retener el vapor y los jugos cerca de los alimentos lo cual puede causar que la superficie exterior de los alimentos se cocine.
- Para obtener los mejores resultados coloque la carne molida en la forma de una rosquilla antes de congelarla. Cuando la descongele, raspe la carne que está descongelada cuando suena la señal sonora y continúe descongelando.
- Coloque los alimentos en un contenedor bajo o en la parrilla de asar del microondas para recolectar los goteos.
- El alimento debe todavía estar algo helado en el centro cuando se retira del horno.

Instrucciones de Funcionamiento (cont.)

‘RAPID DEFROST’ (Descongelación Rápida)

Esta característica ofrece descongelación rápida para 1 libra (450 g) de carne de res molida congelada.

Rapid Defrost 1. Oprima **‘RAPID DEFROST’**. El horno comienza a descongelar sin necesidad de oprimir la tecla **‘START’** (Puesta en Marcha).

GUÍA DE DESCONGELACION AUTOMATICA

Secuencia	Alimento
1 ‘MEAT’ (CARNE)	CARNE DE RES Carne molida de res, biftec redondo, trocitos para estofado, filete de lomo, carne asada, aguja, bifes anchos, asado de cuadril, hamburguesas. CORDERO Chuletas (1 pulgada [2,5 cm] de grosor), asado (enrollado) CERDO Chuletas (1/2 pulgada [1,3 cm] de grosor), salchichas, costillas, costillas estilo campestre, asado enrollado, salchichas. TERNERA Chuletas de ternera (1 libra [450 g] de _ pulgada [1,3 cm] de grosor)
2 ‘POULTRY’ (CARNE DE AVE)	CARNE DE AVE Pollo entero (menos de 4 libras [1,8 kg]), pechugas cortadas (deshuesadas) GALLINAS DE CORNUALLES Enteras PAVO Pechuga (menos de 6 libras [2,7 kg])
3 ‘FISH’ (PESCADO)	PESCADO Filetes, Tajadas enteras MARISCOS Carne de jaibas, colas de langosta, camarones, callos de hacha

Tabla de Vegetales Frescos

Vegetales	Cantidad (minutos)	Tiempo de cocción en 'HIGH'	Instrucciones	Tiempo de Reposo
Icachofas, (8 onzas [225 g] cada una)	2 medianas 4 medianas	5 a 8 10 a 12	Recorte. Agregue 2 cucharaditas de agua y 2 cucharaditas de jugo de limón. Tape. Cocine con los tallos hacia arriba.	2 a 3 minutos
Espárragos, frescos, tallos	1 libra (450 g)	3 a 7	Lave y coloque la mitad de los espárragos al revés. Agregue ½ taza (120 ml) de agua. Tape.	2 a 3 minutos
Ejotes, verdes y amarillos	1 libra (450 g)	7 a 10	Agregue ½ taza (120 ml) de agua en una cacerola de 1½ litros. Revuelva a la mitad de la cocción.	2 a 3 minutos
Betabeles, frescos	1 libra (450 g)	12 a 16	Agregue ½ taza (120 ml) de agua en una cacerola tapada de 1½ litros. Vuelva a distribuir a la mitad de la cocción.	2 a 3 minutos
Brócoli, fresco, brotes	1 libra (450 g)	5 a 9	Coloque el brócoli en una fuente de hornear. Agregue ½ taza (120 ml) de agua.	2 a 3 minutos
Repollo, fresco, picado	1 libra (450 g)	5 a 7	Agregue ½ taza (120 ml) de agua en una cacerola tapada de 1½ litros. Revuelva a la mitad de la cocción.	2 a 3 minutos
Zanahorias, frescas, rebanadas	2 tazas (475 ml)	3 a 6	Agregue ¼ taza (120 ml) de agua en una cacerola tapada de 1 litro. Revuelva a la mitad de la cocción.	2 a 3 minutos
Coliflor, fresca, entera	1 libra (450 g)	6 a 10	Recorte. Agregue ¼ taza (120 ml) de agua en una cacerola tapada de 1 litro. Revuelva a la mitad de la cocción.	2 a 3 minutos
Apio, fresco, picado	2 tazas (475 ml) 4 tazas (950 ml)	3 a 5 7 a 9	Rebane. Agregue ½ taza (120 ml) de agua en una cacerola tapada de 1½ litros. Revuelva a la mitad de la cocción.	2 a 3 minutos
Elote, fresco	2 mazorcas	5 a 8	Quite las hojas. Agregue 2 cucharadas de agua en una fuente de hornear de 1½ litros. Tape.	2 a 3 minutos
Champiñones, frescos, rebanados	½ libra (225 g)	2 a 3 ½	Coloque los champiñones en una cacerola tapada de 1½ litros.	2 a 3 minutos
Pastinaca, fresca, rebanada	1 libra (450 g)	4 a 8	Agregue ½ taza (120 ml) de agua en una cacerola tapada de 1½ litros.	2 a 3 minutos
Chícharos, verdes, frescos	4 tazas (950 ml)	6 a 9	Agregue ½ taza (120 ml) de agua en una cacerola tapada de 1½ litros. Revuelva a la mitad de la cocción.	2 a 3 minutos
Camote, entero, al horno (6 a 8 onzas [170 a 225 g] cada uno)	2 medianos 4 medianos	5 a 7 6 a 11	Agujere los camotes varias veces con un tenedor.	2 a 3 minutos 2 a 3 minutos
Papas blancas, enteras, al horno (6 a 8 onzas [170 a 225 g] cada una)	2 papas 4 papas	5 a 7 8 a 13	Agujere las papas varias veces con un tenedor.	2 a 3 minutos 2 a 3 minutos
Espinaca, fresca, hoja	1 libra (450 g)	5 a 7	Agregue ½ taza (120 ml) de agua en una cacerola tapada de 2 litros.	2 a 3 minutos
Zapallo, calabaza o tipo nuez, fresco	1 mediana	6 a 8	Corte el zapallo por la mitad. Quite las semillas. Coloque en una fuente de hornear de 8 x 8 pulgadas (20 x 20 cm). Tape.	2 a 3 minutos
Calabacitas, frescas, rebanadas	1 libra (450 g)	5 a 8	Agregue ½ taza (120 ml) de agua en una cacerola tapada de 1½ litros.	2 a 3 minutos
Calabacitas, frescas, enteras	1 libra (450 g)	7 a 8	Agujere. Coloque sobre 2 toallas de papel. De vuelta a las calabacitas y distribúyalas a la mitad de la cocción.	2 a 3 minutos

Cuidado y Limpieza

ATENCIÓN

Para evitar riesgos materiales, desenchufe el horno de microondas o desconecte la energía eléctrica retirando el fusible o disparando el disyuntor.

Antes de limpiar el horno, desenchúfelo o abra la puerta para evitar la puesta en marcha accidental del horno.

Pieza	Descripción
Interior del Horno	<ul style="list-style-type: none"> • Limpie con un paño húmedo seguido • Es importante mantener limpia el área entre la puerta y la cavidad delantera para asegurar que la puerta cierre bien. • Quite las salpicaduras de grasa con un paño con jabón, luego enjuague y seque. • No use detergentes fuertes ni limpiadores abrasivos.
Bandeja de Vidrio y Anillo Giratorio	<ul style="list-style-type: none"> • La bandeja de vidrio y el anillo giratorio pueden ser lavados a mano o en el lavavajillas. • Enjuague y seque bien.
Panel de Control	<ul style="list-style-type: none"> • Limpie con un paño húmedo seguido inmediatamente con un paño seco. • La característica de Bloqueo para Niños también es útil cuando se limpia el panel de control. • El Bloqueo para Niños evita la programación accidental cuando se limpia el panel de control.
Puerta	<ul style="list-style-type: none"> • Si se acumula vapor dentro o alrededor de la parte exterior de la puerta del horno, limpie el panel con un paño suave. • Esto puede ocurrir cuando el microondas se hace funcionar bajo condiciones de humedad alta y en ningún momento indica que es un malfuncionamiento.
Superficie Exterior del Horno	<ul style="list-style-type: none"> • Limpie con un paño suave y una solución con un detergente suave. Enjuague y seque. No use detergentes ásperos ni limpiadores abrasivos. • Para evitar daño a las piezas situadas dentro del horno, no se debe dejar que el agua se escurra hacia las aberturas de ventilación. <p>Acero Inoxidable</p> <ul style="list-style-type: none"> • NO USE NINGUN PRODUCTO DE LIMPIEZA QUE CONTenga BLANQUEADOR CON CLORO. • SIEMPRE LIMPIE LA SUPERFICIE A FAVOR DEL GRANO. • Limpieza Diaria/Suciedad Leve - Limpie con uno de los siguientes – agua con jabón, solución de vinagre blanco/agua, limpiavidrios ‘Formula 409’* o un limpiavidrios similar – use una esponja o un paño suave. Enjuague y seque. Para pulir y evitar las marcas de los dedos, use ‘Stainless Steel Magic Spray’.* • Suciedad Moderada/Fuerte – Limpie con uno de los siguientes – ‘Bon Ami’, bicarbonato o ‘Soft Scrub’* - use una esponja húmeda o un paño suave. Enjuague y seque. Las manchas difíciles pueden ser quitadas con una esponja ‘Scotch-Brite’* húmeda; restriegue uniformemente a favor del grano. Enjuague y seque. Para restaurar el lustre y sacar las vetas, después use ‘Stainless Steel Magic Spray’. • Descoloración – Use una esponja húmeda o un paño suave, limpie con ‘Cameo Stainless Steel Cleaner’*. Enjuague inmediatamente y seque. Para sacar las vetas y restaurar el lustre, use después ‘Stainless Steel Magic Spray’.

Después de limpiar el horno, asegúrese de que el anillo giratorio y la bandeja de vidrio estén en la posición correcta. Oprima la tecla ‘STOP/CLEAR’ dos veces para reponer cualquier ajuste accidental de alguna tecla.

*Los nombres de los productos de limpieza son marcas registradas de los respectivos fabricantes.

Localización y Solucion de Averías

ADVERTENCIA

Para evitar riesgo de lesión personal, choque eléctrico o la muerte, no retire en ningún momento la caja exterior. Solamente un técnico de servicio autorizado puede retirar la caja exterior.

ANTES DE SOLICITAR SERVICIO

Verifique la lista que se incluye a continuación para verificar si realmente es necesario hacer una llamada de servicio. Una consulta rápida de este manual así como una revisión de la información adicional sobre cada artículo puede evitar una llamada de servicio innecesaria.

Problema	Causa Posible
El horno no se pone en marcha	<ul style="list-style-type: none">• El cordón eléctrico no está enchufado.<ul style="list-style-type: none">- Enchúfelo.• La puerta está abierta.<ul style="list-style-type: none">- Cierre la puerta, ábrala y trate de nuevo.• Se programó un funcionamiento incorrecto.<ul style="list-style-type: none">- Consulte las instrucciones de funcionamiento.
Arco eléctrico o chispas	<ul style="list-style-type: none">• Se usaron materiales que no deben usarse en el horno de microondas.<ul style="list-style-type: none">- Use solamente utensilios que sean resistentes al microondas.• El horno se hizo funcionar vacío.<ul style="list-style-type: none">- No haga funcionar vacío.• Han quedado restos de alimentos en el interior del horno.<ul style="list-style-type: none">- Limpie la cavidad del horno con una toalla húmeda.
Cocción dispareja o descongelación deficiente	<ul style="list-style-type: none">• Se usaron materiales que no deben usarse en el horno de microondas.<ul style="list-style-type: none">- Use solamente utensilios que sean resistentes al microondas.• El tiempo de cocción/nivel de potencia no es adecuado.<ul style="list-style-type: none">- Use el tiempo de cocción/nivel de potencia correcto.• El alimento no es dado vuelta ni revuelto.<ul style="list-style-type: none">- De vuelta o revuelva el alimento.
Alimentos sobrecocidos	<ul style="list-style-type: none">• El tiempo de cocción/nivel de potencia no es adecuado.<ul style="list-style-type: none">- Use el tiempo de cocción/nivel de potencia correcto.
Alimentos no bien cocidos	<ul style="list-style-type: none">• Se usaron materiales que no deben usarse en el horno de microondas.<ul style="list-style-type: none">- Use solamente utensilios que sean resistentes al microondas.• El alimento no se descongeló completamente.<ul style="list-style-type: none">- Descongele bien el alimento.• Están obstruidos los orificios de ventilación del horno.<ul style="list-style-type: none">- Verifique para ver si los orificios del horno no están obstruidos.• El tiempo de cocción/nivel de potencia no es adecuado.<ul style="list-style-type: none">- Use el tiempo de cocción/nivel de potencia correcto.

TODAS LAS SIGUIENTES SITUACIONES SON NORMALES

- Sonido sordo de golpeo durante el funcionamiento del horno.
- Vapor que sale alrededor de la puerta.
- Reflexión de la luz alrededor de la puerta o de la envoltura exterior.
- Disminución de la intensidad de la luz del horno y cambio en el sonido del soplador durante el funcionamiento del horno cuando se usan niveles de potencia que no son altos.
- Puede ocurrir interferencia con la radio y televisión durante las operaciones. Es similar a la interferencia causada por otros electrodomésticos pequeños tales como licuadoras, secadoras de cabello, etc.

Garantía

Garantía Completa de Dos Años

Durante dos (2) años desde la fecha de compra original al pormenor, se reparará o reemplazará gratuitamente cualquier pieza que falle en uso normal del hogar.

Garantía Limitada de Piezas

Después del segundo año desde la fecha de compra original al pormenor hasta el quinto año, las siguientes piezas que fallen durante uso normal en el hogar serán reparadas o reemplazadas gratuitamente en lo que respecta a la pieza misma y el propietario debe pagar todos los otros costos incluyendo mano de obra cuando el artefacto esté ubicado en los Estados Unidos o Canadá: (1) panel del teclado y microprocesador, (2) tubo magnetrón.

Garantía Limitada de Piezas Fuera de EE.UU. y Canadá

Durante un (1) año desde la fecha de compra original al pormenor, cualquier pieza que falle durante uso normal en el hogar será reparada o reemplazada gratuitamente en lo que respecta a la pieza y el propietario debe pagar todos los otros costos, incluyendo mano de obra, cuando el artefacto esté situado fuera de los Estados Unidos o Canadá.

Residentes Canadienses

Esta garantía cubre solamente aquellos artefactos instalados en Canadá que han sido certificados por la Asociación de Normas Canadienses (CSA) a menos que hayan sido traídos a Canadá desde Estados Unidos debido a un cambio de residencia.

Lo que no cubre estas garantías

- Reemplazo de los fusibles del hogar, reposición de los disyuntores o corrección del alambrado o plomería del hogar.
- Mantenimiento y limpieza normal del producto, incluyendo focos.
- Productos cuyos números de serie originales fueron removidos, alterados o no son fácilmente legibles.
- Productos comprados para uso comercial, industrial o de arriendo.
- Productos situados afuera de los Estados Unidos o Canadá.
- Costos de servicio adicionales, si el técnico debe realizar servicio extraordinario fuera de lo normal o fuera de las horas o del área de servicio normal.
- Ajustes después del segundo año.
- Reparaciones resultantes de lo siguiente:
 - Instalación, sistema de escape o mantenimiento incorrecto.
 - Cualquier modificación, alteración o ajuste no autorizado por Jenn-Air.
 - Accidente, mal uso, abuso, incendio, inundación o actos fortuitos.
 - Conexiones a suministro de gas, suministro de voltaje o corriente eléctrica incorrectas.
 - Uso de utensilios, contenedores o accesorios no apropiados que pueden causar daño al producto.
- Viaje.

Si usted necesita servicio

- Llame al distribuidor donde compró su electrodoméstico o llame a Maytag ServicesSM, Maytag Customer Assistance al 1-800-JENNAIR (1-800-536-6247) en EE.UU. y Canadá para ubicar un técnico autorizado.
- Asegúrese de conservar el comprobante de compra para verificar el estado de la garantía. Consulte la sección sobre la GARANTIA para mayor información sobre las responsabilidades del propietario para servicio bajo la garantía.
- Si el distribuidor o la compañía de servicio no pueden resolver el problema, escriba a Maytag ServicesSM, Attn: CAIR[®] Center, P.O. Box 2370, Cleveland, TN 37320-2370 o llame al **1-800-JENNAIR (1-800-536-6247)** en EE.UU. y Canadá.
NOTA: Cuando llame o escriba acerca de un problema de servicio, por favor incluya la siguiente información:
 - a. Su nombre, dirección y número de teléfono;
 - b. número de modelo y número de serie;
 - c. número y dirección de su distribuidor o técnico de servicio;
 - d. una descripción clara del problema;
 - e. comprobante de compra (recibo de compra).
- Las guías del usuario, manuales de servicio e información sobre las piezas pueden solicitarse a Maytag ServicesSM, Jenn-Air Customer Assistance.

BAJO NINGUNA CIRCUNSTANCIA MAYTAG SERA RESPONSIBLE DE DAÑOS INCIDENTALES O CONSECUENTES.

Esta garantía le otorga derechos legales específicos y usted puede tener otros derechos que varían de un estado a otro. Por ejemplo, algunos estados no permiten la exclusión o limitación de daños incidentales o consecuentes, por lo tanto esta exclusión puede que no se aplique en su caso.