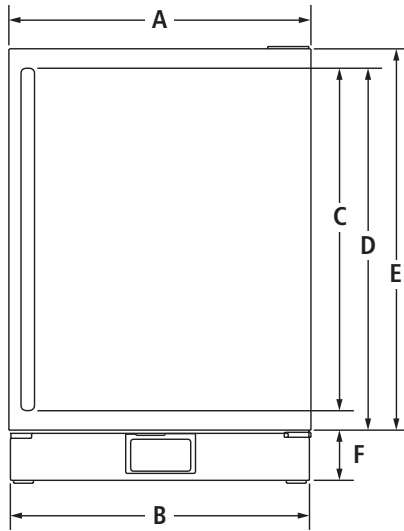


UNDER COUNTER REFRIGERATORS

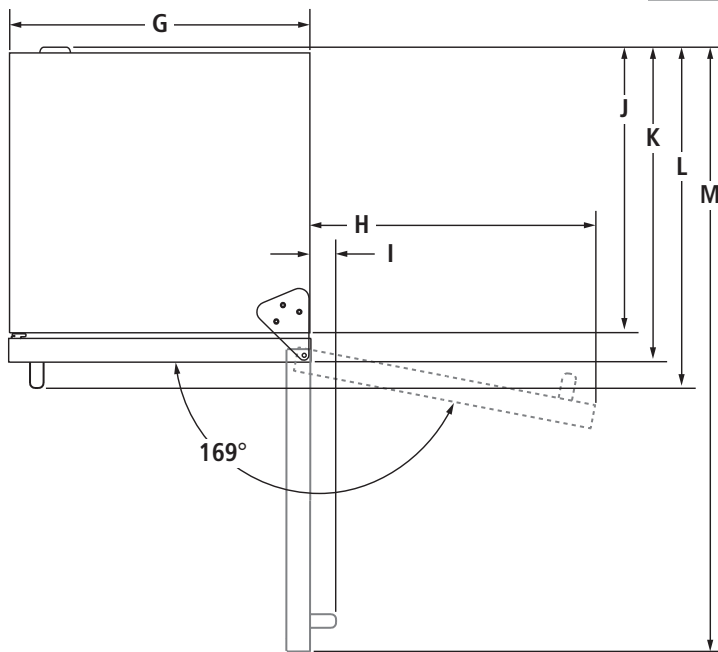
JUR248RYE, JUR248LYE – 23³/₄" x 34³/₈" x 27¹/₄"

JUR248RWE, JUR248LWE – 23³/₄" x 34³/₈" x 26³/₄"

PRODUCT DIMENSIONS



FRONT VIEW



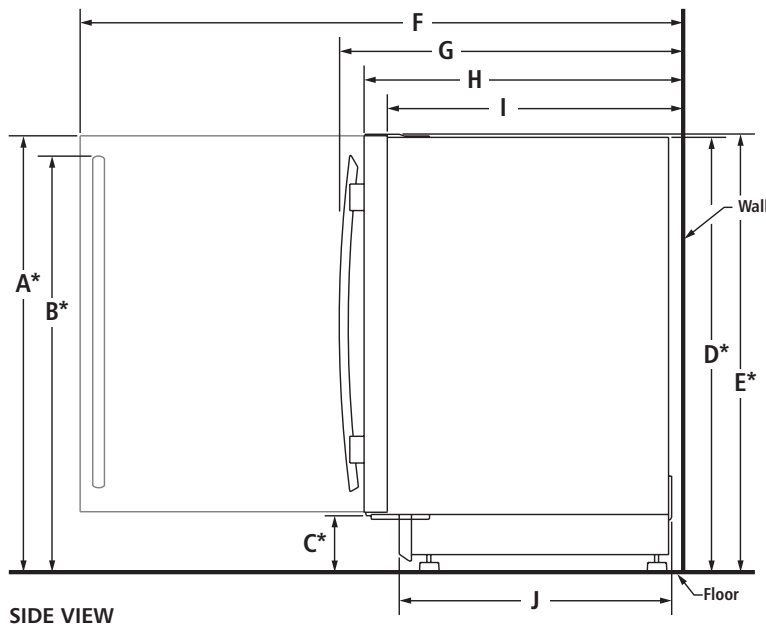
MODEL #		JUR248RYE JUR248LYE JUR248RWE JUR248LWE	
		in	cm
A	Width of door	23 ³ / ₄	60.4
B	Width of grille	23 ¹ / ₂	59.8
C	Height of handle Pro-Style® Stainless	22 ¹ / ₂	57.1
	Euro-Style Stainless	27 ¹ / ₄	69.2
D	Height to top of handle Pro-Style® Stainless	26 ¹ / ₄	66.8
	Euro-Style Stainless	28 ¹ / ₂	72.6
E	Height of door	30 ¹ / ₈	76.5
F	Height of grille	3 ³ / ₄	9.4
G	Width of recessed refrigerator	23 ⁵ / ₈	60.0
H	Width from side of refrigerator to door fully open 169°	22 ¹ / ₂	57.0
I	Width from side of refrigerator to handle – door open 90° Pro-Style® Stainless	2 ⁵ / ₈	6.8
	Euro-Style Stainless	2 ¹ / ₈	5.4
J	Depth without door	22 ³ / ₈	56.7
K	Depth with door	24 ³ / ₄	62.8
L	Depth with handle Pro-Style® Stainless	27 ¹ / ₄	69.2
	Euro-Style Stainless	26 ³ / ₄	68.0
M	Depth with door open 90°	47 ¹ / ₂	120.7

UNDER COUNTER REFRIGERATORS

JUR248RYE, JUR248LYE – 23³/₄" x 34³/₈" x 27¹/₄"

JUR248RWE, JUR248LWE – 23³/₄" x 34³/₈" x 26³/₄"

DIMENSIONS AS INSTALLED



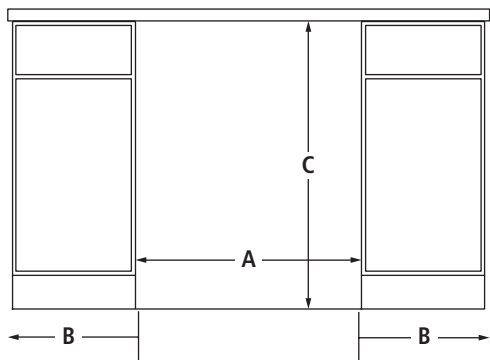
MODEL #		JUR248RYE JUR248LYE JUR248RWE JUR248LWE	
		in	cm
A*	Height to top of door (min.)	34 ¹ / ₄	86.9
B*	Height to top of handle (min.) Pro-Style® Stainless	30 ³ / ₈	77.2
	Euro-Style Stainless	32 ⁵ / ₈	83.0
C*	Height to top of grille (min.)	4	10.1
D*	Height of recessed refrigerator (min.)	34 ¹ / ₈	86.8
E*	Height to top of hinge (min.)	34 ³ / ₈	87.4
F	Depth with door open 90° (min.)	47 ¹ / ₂	120.7
G	Depth with handle (min.) Pro-Style® Stainless	27 ¹ / ₄	69.2
	Euro-Style Stainless	26 ³ / ₄	68.0
H	Depth with door (min.)	24 ³ / ₄	62.8
I	Depth without door (min.)	22 ³ / ₈	56.7
J	Depth of grille (min.)	21 ⁷ / ₈	55.7

*Add 5/8" (1.6 cm) to the height dimension when leveling legs are fully extended.

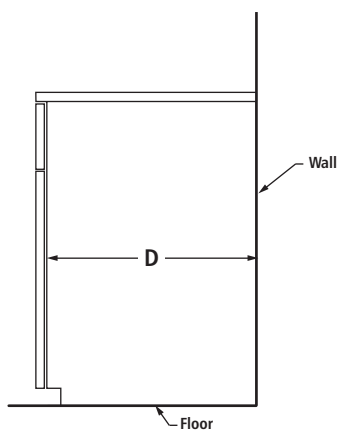
UNDER COUNTER REFRIGERATORS

JUR248RYE, JUR248LYE – 23³/₄" x 34³/₈" x 27¹/₄"
 JUR248RWE, JUR248LWE – 23³/₄" x 34³/₈" x 26³/₄"

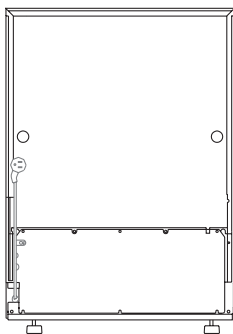
OPENING/CLEARANCE DIMENSIONS



FRONT VIEW



SIDE VIEW



BACK VIEW

MODEL #		JUR248RYE JUR248LYE JUR248RWE JUR248LWE	
		in	cm
A	Width (min.)	24	61.0
	Minimum width from hinged side of refrigerator to fixed wall – door open 90°	2 ¹ / ₂	6.4
B	Minimum width from hinged side of refrigerator to fixed wall – door fully open 169°	22 ¹ / ₂	57.0
	Height (min.)	34 ³ / ₈	87.3
D	Depth (min.)	24	61.0

VENTILATION REQUIREMENTS

For proper ventilation, allow 1/4" (0.6 cm) space on the top and each side.

ELECTRICAL REQUIREMENTS

115 volt, 60 Hz, AC only, 15- or 20-amp fused, grounded circuit is required. A dedicated circuit is recommended. Use an outlet that cannot be turned off by a switch. Minimum length of the power cord is 63" (160.0 cm). Do not use an extension cord.