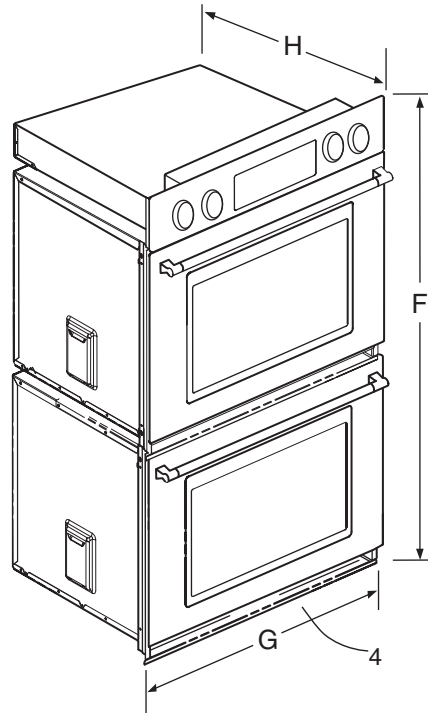
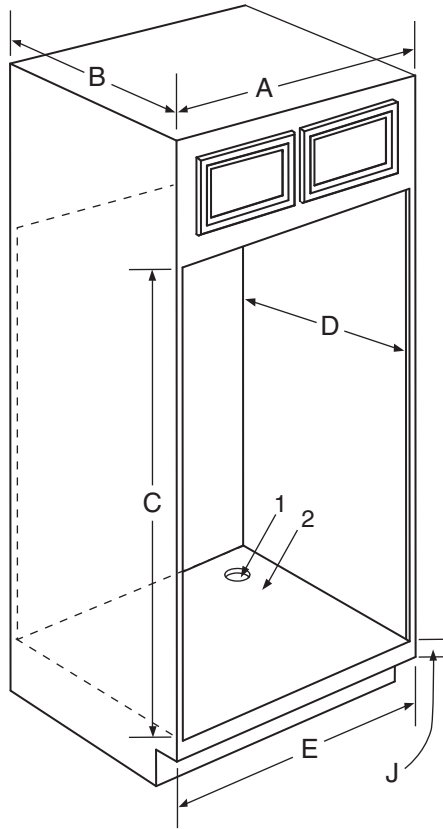




# DOUBLE PRO-STYLE® WALL OVEN



Style of product may vary from picture

## PRODUCT DIMENSIONS

	INCHES	CENTIMETERS
A	30 min	76.2
B	24 min	61.0
C	51 7/8 ± 1/16	131.8 ± 0.1
D	24 min	61.0
E	28 1/2 ± 1/16	72.4 ± 0.1
F	52 1/4 min	132.7
G	29 3/4	75.6
H <sup>1</sup>	25 23/32	65.3
J	4 - 10	10.2 - 25.4

## MODEL SKUs

JJW9830DDP

## NOTES:

1. Excluding door handle.
2. 1 1/4" Diameter Conduit Access Hole. Hole must be cut as close to corner of cabinet as possible.
3. 5/8" plywood floor (must support 310 pounds).
4. Do not block air intake slots along bottom of oven.

Electrical Requirements: Provide for 120/240 or 120/208 VAC, 60 Hz.  
See serial plate on front of unit for power requirements.

**Important:** Because of continuing product improvements, Jenn-Air® reserves the right to change specifications without notice. Dimensional specifications are provided for planning purposes only. For complete details see installation instructions that accompany each product before selecting cabinetry, making cutouts or beginning installation.