

JENN-AIR. 30" (76.2cm) and 36" (91.4cm) Wall-Mount Canopy Range Hood

PRODUCT MODEL NUMBERS

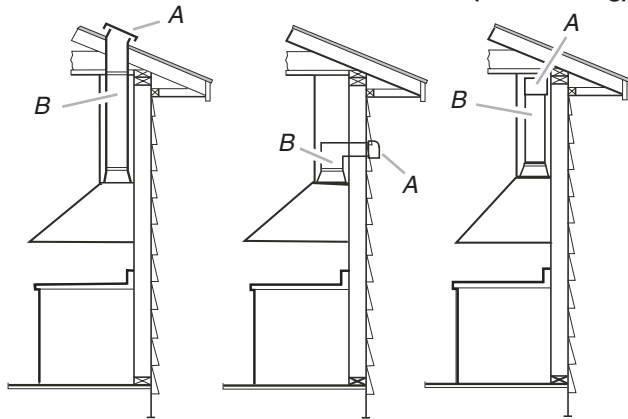
JXT6030ADR
JXT6036ADR

A 120 Volt, 60Hz., AC only 15-amp fused, electrical supply (or circuit breaker) is required. (A time-delay fuse or circuit breaker is recommended.) It is recommended that a separate circuit serving only this appliance be provided.

Set the grounded 3 prong outlet within the space covered by the decorative flues.

VENTING REQUIREMENTS

Roof Venting **Wall Venting** **Non-vented (recirculating)**



A. Roof cap
B. 8" (20.0 cm)
round vent

A. Wall cap
B. 8" (20.0 cm)
round vent

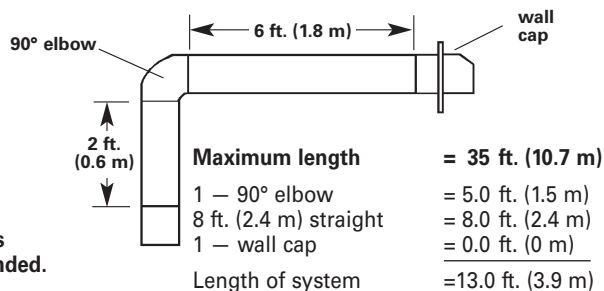
A. Deflector
B. 8" (20.0 cm)
round vent

Calculating Vent System Length

To calculate the length of the system you need, add the equivalent feet (meters) for each vent piece used in the system.

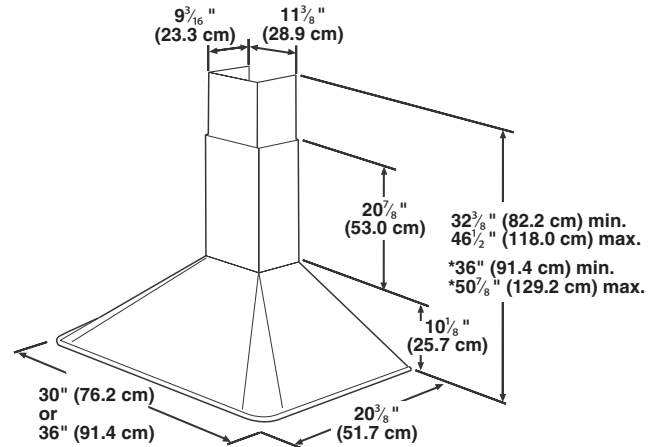
Vent Piece	8" (20.0 cm) Round	
45° elbow	2.5 ft (0.8 m)	
90° elbow	5.0 ft (1.5 m)	

Example vent system



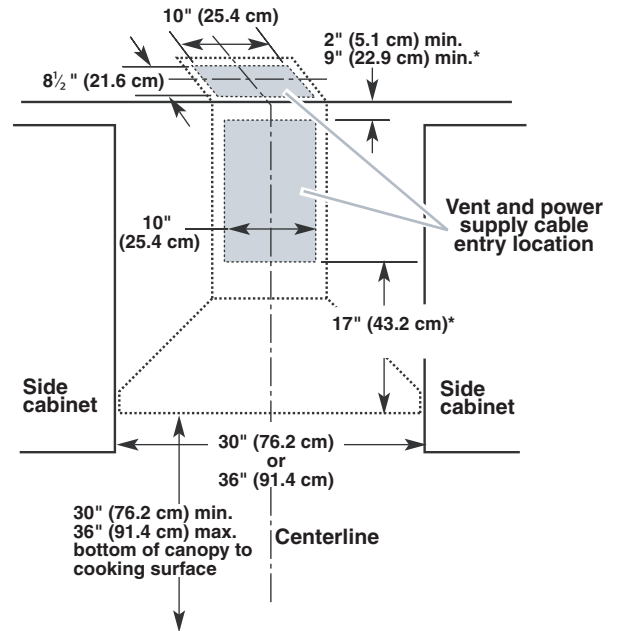
Note:
Flexible vent is
Not recommended.

OVERALL DIMENSIONS



*For non-vented (recirculating) installations

CABINET OPENING DIMENSIONS



*For non-vented (recirculating) installations