

30" AND 36" (76.2 CM AND 91.4 CM)  
TOUCH CONTROL AND KNOB CONTROL  
RADIANT COOKTOP

TABLE DE CUISSON RADIANTE  
À COMMANDES TACTILES ET COMMANDES  
À BOUTONS 30" ET 36" (76,2 CM ET 91,4 CM)

---

### Use & Care Guide

For questions about features, operation/performance, parts, accessories, or service in the U.S.A., call:  
**1-800-JENNAIR (1-800-536-6247)** or visit our website at **www.jennair.com**.  
In Canada, call: **1-800-JENNAIR (1-800-536-6247)** or visit our website at **www.jennair.ca**.

---

### Guide d'utilisation et d'entretien

Pour des questions à propos des caractéristiques, du fonctionnement/rendement, des pièces, accessoires ou dépannage,  
composer le : **1-800-JENNAIR (1-800-536-6247)** ou visitez notre site web à **www.jennair.com**.  
Au Canada, composer le : **1-800-JENNAIR (1-800-536-6247)** ou visitez notre site web à **www.jennair.ca**.



# TABLE OF CONTENTS

<b>COOKTOP SAFETY</b> .....	2
<b>PARTS AND FEATURES – ELECTRONIC TOUCH CONTROLS</b> .....	4
<b>COOKTOP CONTROLS – ELECTRONIC TOUCH CONTROLS</b> .....	5
Cooktop Controls.....	5
Dual/Triple Element.....	6
Control Lock.....	6
<b>PARTS AND FEATURES – KNOB CONTROLS</b> .....	7
<b>COOKTOP CONTROLS – KNOB CONTROLS</b> .....	8
Cooktop Controls.....	8
Dual/Triple Circuit Element.....	8
<b>COOKTOP USE</b> .....	9
Downdraft Ventilation System.....	9
Home Canning.....	9
Cookware.....	9
Ceramic Glass.....	10
<b>COOKTOP CARE</b> .....	11
General Cleaning.....	11
<b>TROUBLESHOOTING</b> .....	13
<b>ASSISTANCE OR SERVICE</b> .....	14
In the U.S.A. ....	14
In Canada.....	14
Accessories.....	14
<b>WARRANTY</b> .....	15

# TABLE DES MATIÈRES

<b>SÉCURITÉ DE LA TABLE DE CUISSON</b> .....	17
<b>PIÈCES ET CARACTÉRISTIQUES – COMMANDES ÉLECTRONIQUES TACTILES</b> .....	19
<b>COMMANDES DE LA TABLE DE CUISSON – COM - MANDES ÉLECTRONIQUES TACTILES</b> .....	20
Commandes de la table de cuisson.....	20
Éléments double/triple.....	21
Verrouillage des commandes.....	21
<b>PIÈCES ET CARACTÉRISTIQUES – COMMANDES À BOUTONS</b> .....	22
<b>COMMANDES DE LA TABLE DE CUISSON – COMMANDES À BOUTONS</b> .....	23
Commandes de la table de cuisson.....	23
Élément à double/triple circuit.....	24
<b>UTILISATION DE LA TABLE DE CUISSON</b> .....	25
Système de ventilation avec aspiration par le bas.....	25
Préparation de conserves à la maison.....	25
Ustensiles de cuisson.....	25
Vitrocéramique.....	26
<b>ENTRETIEN DE LA TABLE DE CUISSON</b> .....	27
Nettoyage général.....	27
<b>DÉPANNAGE</b> .....	29
<b>ASSISTANCE OU SERVICE</b> .....	30
Aux É.-U. ....	30
Au Canada.....	30
Accessoires.....	30
<b>GARANTIE</b> .....	31

## COOKTOP SAFETY

### Your safety and the safety of others are very important.

We have provided many important safety messages in this manual and on your appliance. Always read and obey all safety messages.



This is the safety alert symbol.

This symbol alerts you to potential hazards that can kill or hurt you and others.

All safety messages will follow the safety alert symbol and either the word “DANGER” or “WARNING.”

These words mean:

**⚠ DANGER**

**You can be killed or seriously injured if you don't immediately follow instructions.**

**⚠ WARNING**

**You can be killed or seriously injured if you don't follow instructions.**

All safety messages will tell you what the potential hazard is, tell you how to reduce the chance of injury, and tell you what can happen if the instructions are not followed.

State of California Proposition 65 Warnings:

WARNING: This product contains one or more chemicals known to the State of California to cause cancer.

WARNING: This product contains one or more chemicals known to the State of California to cause birth defects or other reproductive harm.

# IMPORTANT SAFETY INSTRUCTIONS

**WARNING:** To reduce the risk of fire, electrical shock, injury to persons, or damage when using the cooktop, follow basic precautions, including the following:

- **CAUTION:** Do not store items of interest to children in cabinets above a cooktop – Children climbing on the cooktop to reach items could be seriously injured.
- Proper Installation – Be sure your cooktop is properly installed and grounded by a qualified technician.
- Never Use Your Cooktop for Warming or Heating the Room.
- Do Not Leave Children Alone – Children should not be left alone or unattended in area where cooktop is in use. They should never be allowed to sit or stand on any part of the cooktop.
- Wear Proper Apparel – Loose-fitting or hanging garments should never be worn while using the cooktop.
- User Servicing – Do not repair or replace any part of the cooktop unless specifically recommended in the manual. All other servicing should be referred to a qualified technician.
- Storage on Cooktop – Flammable materials should not be stored near surface units.
- Do Not Use Water on Grease Fires – Smother fire or flame or use dry chemical or foam-type extinguisher.
- Use Only Dry Potholders – Moist or damp potholders on hot surfaces may result in burns from steam. Do not let potholder touch hot heating elements. Do not use a towel or other bulky cloth.
- DO NOT TOUCH SURFACE UNITS OR AREAS NEAR UNITS – Surface units may be hot even though they are dark in color. Areas near surface units may become hot enough to cause burns. During and after use, do not touch, or let clothing or other flammable materials contact surface units or areas near units until they have had sufficient time to cool. Among those areas are the cooktop and surfaces facing the cooktop.
- Use Proper Pan Size – This cooktop is equipped with one or more surface units of different size. Select utensils having flat bottoms large enough to cover the surface unit heating element. The use of undersized utensils will expose a portion of the heating element to direct contact and may result in ignition of clothing. Proper relationship of utensil to burner will also improve efficiency.

- Never Leave Surface Units Unattended at High Heat Settings – Boilover causes smoking and greasy spillovers that may ignite.
- Glazed Cooking Utensils – Only certain types of glass, glass/ceramic, ceramic, earthenware, or other glazed utensils are suitable for cooktop service without breaking due to the sudden change in temperature.
- Utensil Handles Should Be Turned Inward and Not Extend Over Adjacent Surface Units – To reduce the risk of burns, ignition of flammable materials, and spillage due to unintentional contact with the utensil, the handle of a utensil should be positioned so that it is turned inward, and does not extend over adjacent surface units.
- Do Not Cook on Broken Cooktop – If cooktop should break, cleaning solutions and spillovers may penetrate the broken cooktop and create a risk of electric shock. Contact a qualified technician immediately.
- Clean Cooktop With Caution – If a wet sponge or cloth is used to wipe spills on a hot cooking area, be careful to avoid steam burn. Some cleaners can produce noxious fumes if applied to a hot surface.

## For units with ventilating hood –

- Clean Ventilating Hoods Frequently – Grease should not be allowed to accumulate on hood or filter.
- When flaming foods under the hood, turn the fan on.

## For units with coil elements –

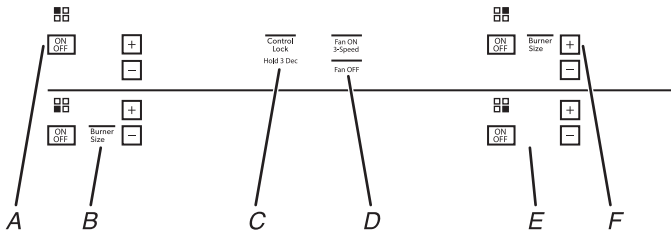
- Make Sure Reflector Pans or Drip Bowls Are in Place – Absence of these pans or bowls during cooking may subject wiring or components underneath to damage.
- Protective Liners – Do not use aluminum foil to line surface unit drip bowls, except as suggested in the manual. Improper installation of these liners may result in a risk of electric shock, or fire.
- Do Not Soak Removable Heating Elements - Heating elements should never be immersed in water.

## SAVE THESE INSTRUCTIONS

# PARTS AND FEATURES – ELECTRONIC TOUCH CONTROLS

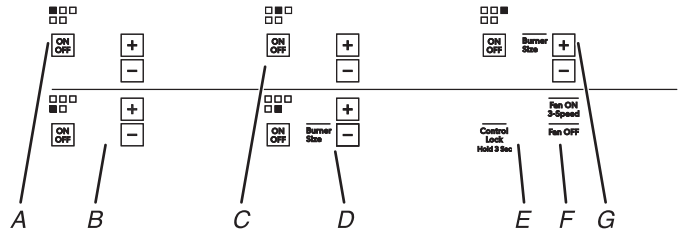
This manual covers different models. The cooktop you have purchased may have some or all of the items listed.

## 30" (76.2 cm) Control Panel



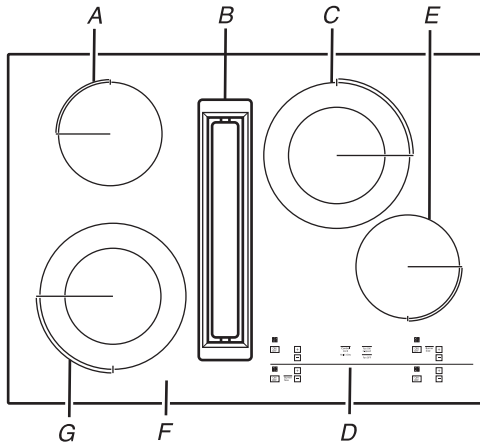
- A. 6" (15.2 cm) single element electronic touch control
- B. 10" / 6" (25.4 cm / 15.2 cm) dual element electronic touch control
- C. Control lock hold 3 sec
- D. 3-speed vent fan electronic touch control
- E. 6" (15.2 cm) single element electronic touch control
- F. 9" / 6" (22.9 cm / 15.2 cm) dual element electronic touch control

## 36" (91.4 cm) Control Panel



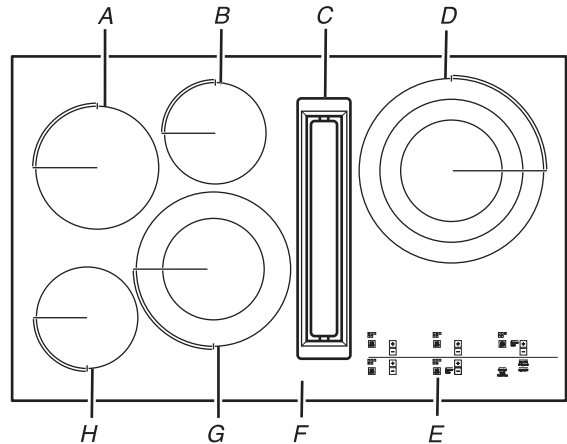
- A. 8" (20.3 cm) single element electronic touch control
- B. 6" (15.2 cm) single element electronic touch control
- C. 6" (15.2 cm) single element electronic touch control
- D. 10" / 6" (25.4 cm / 15.2 cm) dual element electronic touch control
- E. Control Lock Hold 3 Sec
- F. 3-speed vent fan electronic touch control
- G. 12" / 9" / 6" (30.5 cm / 22.9 cm / 15.2 cm) triple element electronic touch control system

## 30" (76.2 cm) Cooktop



- A. 6" (15.2 cm) single element
- B. Downdraft vent grille
- C. 9" / 6" (22.9 cm / 15.2 cm) dual element
- D. Control panel
- E. 6" (15.2 cm) single element
- F. Ceramic cooking surface
- G. 10" / 6" (25.4 cm / 15.2 cm) dual element

## 36" (91.4 cm) Cooktop



- A. 8" (20.3 cm) single element
- B. 6" (15.2 cm) single element
- C. Downdraft vent grille
- D. 12" / 9" / 6" (30.5 cm / 22.9 cm / 15.2 cm) triple element
- E. Control panel
- F. Ceramic cooking surface
- G. 10" / 6" (25.4 cm / 15.2 cm) dual element
- H. 6" (15.2 cm) single element

# COOKTOP CONTROLS – ELECTRONIC TOUCH CONTROLS

## Cooktop Controls

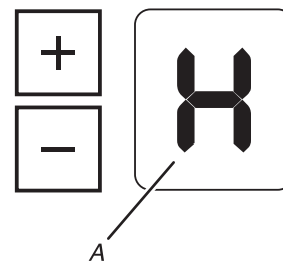
Use the following chart as a guide when setting heat levels.

Setting	Recommended Use
<b>High</b> 20 BOIL	■ Start food cooking. ■ Bring liquid to a boil.
<b>Medium High</b> 17-19	■ Hold a rapid boil. ■ Quickly brown or sear food.
<b>Medium</b> 10-16	■ Maintain a slow boil. ■ Fry or sauté foods.
<b>Medium Low</b> 04-09	■ Cook soups, sauces, and gravies. ■ Stew or steam food.
<b>Low</b> 03 SIMMER	■ Provide lowest simmer/heat setting. ■ Simmer (range of simmer temperatures).
<b>Keep Warm</b> 02 K. WARM	■ Keep cooked foods warm.
<b>Melt</b> 01 MELT	■ Melt chocolate and butter.
<b>Dual/Triple Elements</b>	■ Home canning ■ Large-diameter cookware ■ Large quantities of food

**REMEMBER:** When cooktop is in use, the entire cooktop area may become hot.

### Hot Surface Indicator Lights

An “H” will appear in the surface cooking area display as long as any surface cooking area is too hot to touch, even after the surface cooking area(s) is turned off.



A. Hot surface indicator

### Cooktop On Indicator Light

The cooktop has a cooktop on indicator light. The light will glow when any of the elements are on.

The element display will show the current power level when that element is on and a power level is selected.

## WARNING



### Fire Hazard

**Do not let the burner flame extend beyond the edge of the pan.**

**Turn off all controls when not cooking.**

**Failure to follow these instructions can result in death or fire.**

The electronic touch controls offer a variety of heat settings for optimal cooking results.

For maximum element operation, all cooktop electronic touch controls can be set to High when bringing liquids to a rapid boil.

When the cooktop is turned on or after power is restored to the cooktop after a power failure, all temperature setting lights will glow for 10-15 seconds. After the lights go off, the cooktop is ready to use.

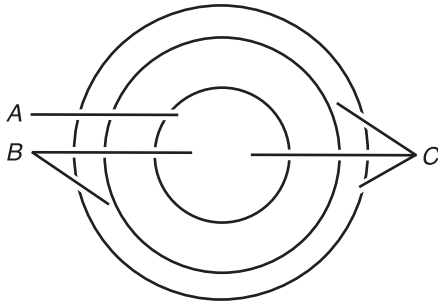
### To Use:

1. Touch ON/OFF for the desired element.
2. Touch the + (plus) or - (minus) keypad to select the power level.  
**NOTE:** Press and hold the + or - keypad for a few seconds to quickly scroll through the power level. If a power level is not selected within approximately 10 seconds, the element will not turn on.
3. To change the power level while cooking, select a power level with the + or - keypad.
4. When finished cooking, touch ON/OFF for the desired element to turn off surface cooking area(s) individually or touch OFF to turn off all surface cooking areas at once.

## Dual/Triple Element

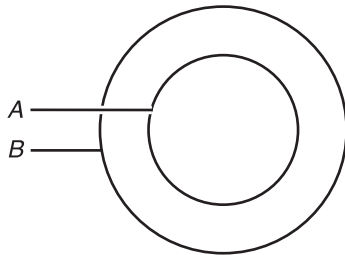
The dual and triple elements offer flexibility depending on the size of the cookware. Single size can be used in the same way as a regular element. The dual and triple sizes combine single, dual, and outer elements and are recommended for larger cookware, large quantities of food, and home canning.

### Triple Element (on some models)



A. Single size  
B. Dual size  
C. Triple size

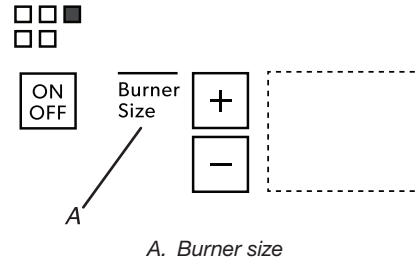
### Dual Element



A. Single element  
B. Dual element

### To Use Dual and Triple:

1. When On/Off is touched, all heating zones for the selected element will be active. To reduce the number of heating zones being used, touch BURNER SIZE. One, two, or three lights will glow to indicate the number of burner zones being used. One of the lights will blink.



2. Touch the + or - keypad to select the power level. A tone will sound each time a keypad is touched.  
**NOTE:** Press and hold + or - keypad for a few seconds to quickly scroll through the power level. If a power level is not selected within approximately 10 seconds, the element will not turn on.
3. To change the power level while cooking, touch the + or - keypad to select a new power level.  
**NOTE:** If the power level is at the minimum power setting, press "-" minus to jump to the maximum setting.
4. To change the heating zones being used while cooking, touch BURNER SIZE.
5. When finished cooking, touch ON/OFF for the desired element to turn off the surface cooking area.

## Control Lock

The Control Lock cooktop control avoids unintended use of the surface cooking areas. When the cooktop is locked out, the surface cooking areas cannot be turned on by the cooktop touch controls.

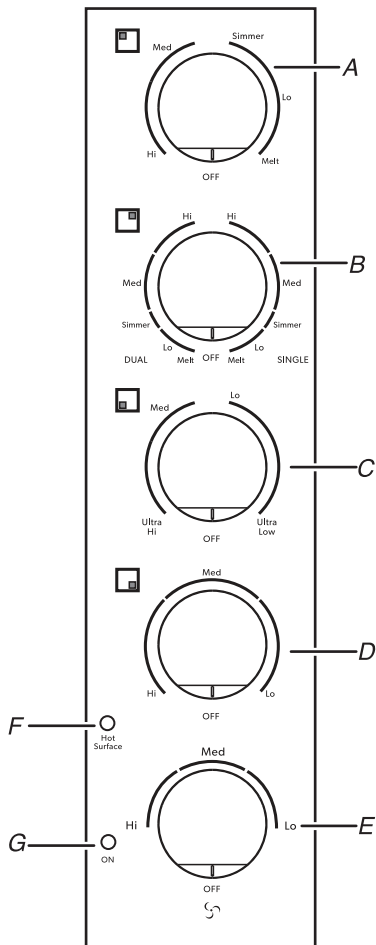
**To Lock Cooktop:** Touch and hold CONTROL LOCK HOLD 3 SEC for 3 seconds. After 3 seconds, CONTROL LOCK HOLD 3 SEC will glow red, indicating that the cooktop controls are in the lockout position.

**To Unlock Cooktop:** Touch and hold CONTROL LOCK HOLD 3 SEC for 3 seconds.

# PARTS AND FEATURES – KNOB CONTROLS

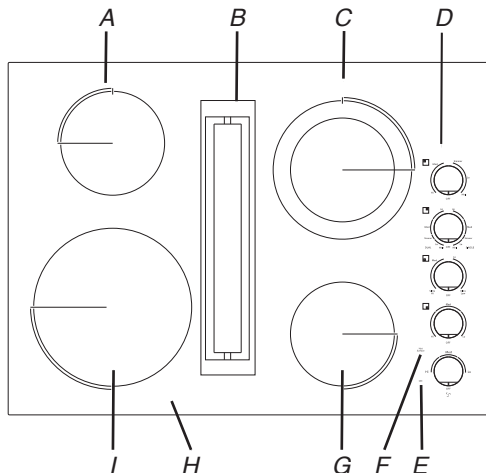
This manual covers different models. The cooktop you have purchased may have some or all of the items listed.

## 30" (76.2 cm) Control Panel



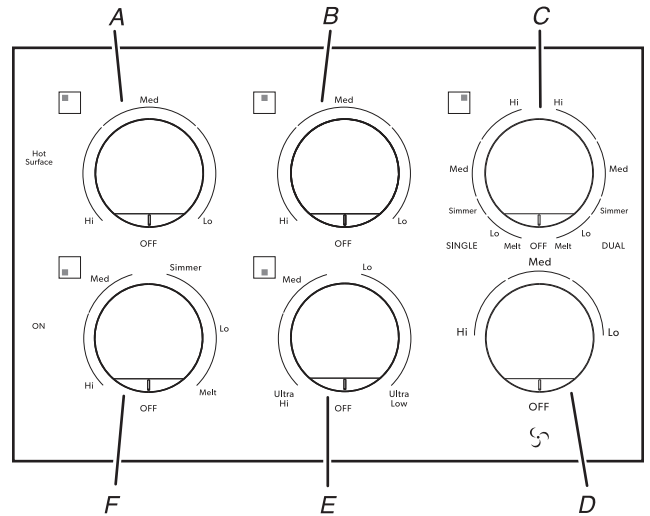
- A. 6" (15.2 cm) single element control knob
- B. 10"/6" (25.4 cm/15.2 cm) dual element control knob
- C. 10" (25.4 cm) single element control knob
- D. 6" (15.2 cm) single element control knob
- E. Three-speed fan control
- F. Hot surface indicator light
- G. Cooktop on indicator light

## 30" (76.2 cm) Cooktop



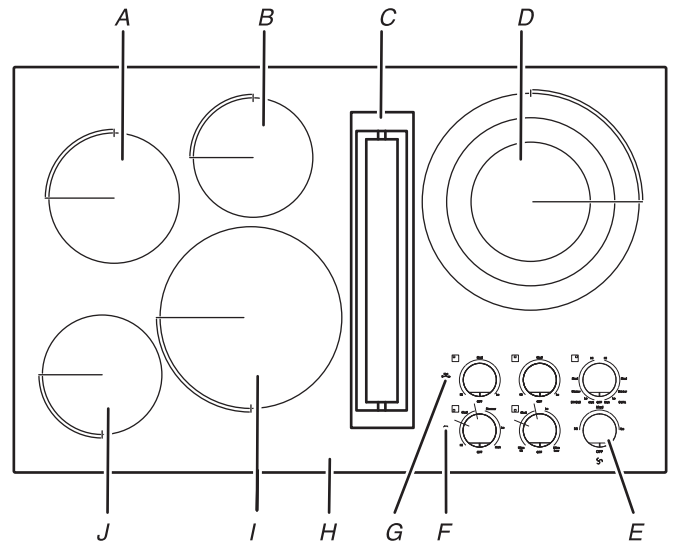
- A. 6" (15.2 cm) single element
- B. Downdraft vent grille
- C. 10"/6" (25.4 cm/15.2 cm) dual element
- D. Control panel
- E. Cooktop on indicator light
- F. Hot surface indicator light
- G. 6" (15.2 cm) single element
- H. Ceramic cooking surface
- I. 10" (25.4 cm) single element

## 36" (91.4 cm) Control Panel



- A. 8" (20.3 cm) single element control knob
- B. 6" (15.2 cm) single element control knob
- C. 12"/9"/6" (30.5 cm/22.9 cm/15.2 cm) triple element control knob
- D. Three-speed fan control
- E. 10" (25.4 cm) single element control knob
- F. 6" (15.2 cm) single element control knob

## 36" (91.4 cm) Cooktop




- A. 8" (20.3 cm) single element
- B. 6" (15.2 cm) single element
- C. Downdraft vent grille
- D. 12"/9"/6" (30.5 cm/22.9 cm/15.2 cm) triple element
- E. Control panel
- F. Cooktop on indicator light
- G. Hot surface indicator light
- H. Ceramic cooking surface
- I. 10" (25.4 cm) single element
- J. 6" (15.2 cm) single element

# COOKTOP CONTROLS – KNOB CONTROLS

## Cooktop Controls

**⚠ WARNING**



**Fire Hazard**

**Do not let the burner flame extend beyond the edge of the pan.**

**Turn off all controls when not cooking.**

**Failure to follow these instructions can result in death or fire.**

The controls can be set to anywhere between Hi (high) and Lo (low).

### To Use:

Push in and turn knob to desired heat setting.

Use the following chart as a guide when setting heat levels.

Setting	Recommended Use
<b>Hi</b> High	<ul style="list-style-type: none"> <li>■ Bring liquid to a boil.</li> </ul>
<b>Med High</b> Medium High	<ul style="list-style-type: none"> <li>■ Hold a rapid boil.</li> <li>■ Quickly brown or sear food.</li> </ul>
<b>Med</b> Medium	<ul style="list-style-type: none"> <li>■ Maintain a slow boil.</li> <li>■ Fry or sauté foods.</li> <li>■ Cook soups, sauces, and gravies.</li> </ul>
<b>Med Low</b> Medium Low	<ul style="list-style-type: none"> <li>■ Stew or steam food.</li> <li>■ Simmer.</li> </ul>
<b>Lo</b> Low	<ul style="list-style-type: none"> <li>■ Keep cooked foods warm.</li> </ul>
<b>Dual/Triple Circuit Elements</b>	<ul style="list-style-type: none"> <li>■ Home canning</li> <li>■ Large-diameter cookware</li> <li>■ Large quantities of food</li> </ul>
<b>Melt</b>	<ul style="list-style-type: none"> <li>■ Melt chocolate or butter.</li> </ul>

**REMEMBER:** When cooktop is in use, the entire cooktop area may become hot.

### Hot Surface Indicator Light

This unit features a Hot Surface indicator light. The Hot Surface indicator light will glow as long as any surface cooking area is too hot to touch, even after the surface cooking area(s) is turned off.

If the cooktop is on when a power failure occurs, the Hot Surface indicator light will remain on after the power is restored to the cooktop. It will remain on until the cooktop has cooled completely.

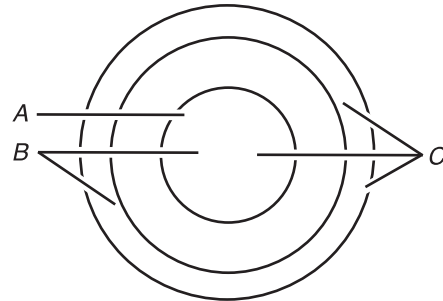
### Cooktop On Indicator Light

Each cooktop has a Cooktop On Indicator light. When the control knob is on, the light will glow.

## Dual/Triple Circuit Element

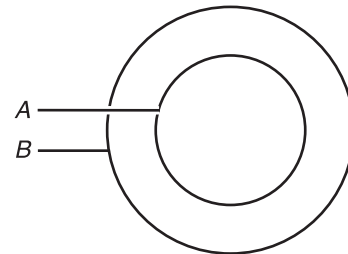
The dual-size and triple-size elements offer flexibility depending on the size of the cookware. Single size can be used in the same way as a regular element. The dual and triple sizes combine single, dual, and outer elements and are recommended for larger cookware, large quantities of food, and home canning.

### Triple Element (on some models)



A. Single size  
B. Dual size  
C. Triple size

### Dual Element



A. Single element  
B. Dual element

### To Use Single:

1. Push in and turn knob from OFF to the Single zone anywhere between Melt and Hi.
2. Turn knob to OFF when finished.

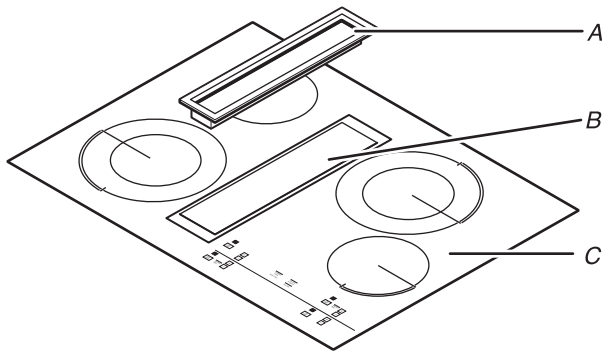
### To Use Dual and Triple:

1. Push in and turn knob from OFF to the Dual or Triple zone anywhere between Melt and Hi.
2. Turn knob to OFF when finished.



# COOKTOP USE

## Downdraft Ventilation System



- A. Vent grille
- B. Removable grease filter
- C. Ceramic glass top

**NOTE:** Electronic touch control model is shown.

The downdraft ventilation system consists of a vent cover, filter, and vent fan. The downdraft ventilation system removes cooking vapors, odors, and smoke from foods prepared on the cooktop.

**IMPORTANT:** For optimal performance, operate the downdraft ventilation system with the filter properly installed.

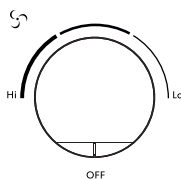
To avoid the buildup of grease, the filter should be cleaned often. For more information on proper filter placement and cleaning, see “Downdraft Ventilation System” in the “General Cleaning” section.

### To Use – Electronic Touch Control:

1. Touch 3 SPEED once for High mode, twice for Medium mode, or three times for Low mode. A beep will sound each time 3 Speed is touched.
2. When cooking is completed, touch OFF to turn the downdraft system off, or touch and hold 3 SPEED for approximately 4 seconds to set the downdraft ventilation system to Automatic mode. In Automatic mode, the downdraft ventilation system will shut off automatically after 10 minutes.

### To Use – Knob Control:

Turn vent fan knob to LO, or HI, or to the midpoint for Medium. Turn vent fan knob to OFF when finished cooking or when the cooktop is not in use.



## Cookware

**IMPORTANT:** Do not leave empty cookware on a hot surface cooking area, element, or surface burner.

Ideal cookware should have a flat bottom, straight sides, and a well-fitting lid and the material should be of medium-to-heavy thickness.

Rough finishes may scratch the cooktop. Aluminum and copper may be used as a core or base in cookware. However, when used as a base, they can leave permanent marks on the cooktop or grates.

Cookware material is a factor in how quickly and evenly heat is transferred which affects cooking results. A nonstick finish has the same characteristics as its base material. For example, aluminum cookware with a nonstick finish will take on the properties of aluminum.

Use the following chart as a guide for cookware material characteristics.

Cookware	Characteristics
<b>Aluminum</b>	<ul style="list-style-type: none"> <li>■ Heats quickly and evenly.</li> <li>■ Suitable for all types of cooking</li> <li>■ Medium or heavy thickness is best for most cooking tasks.</li> </ul>
<b>Cast iron</b>	<ul style="list-style-type: none"> <li>■ Heats slowly and evenly.</li> <li>■ Good for browning and frying</li> <li>■ Maintains heat for slow cooking.</li> </ul>
<b>Ceramic or ceramic glass</b>	<ul style="list-style-type: none"> <li>■ Follow manufacturer’s instructions.</li> <li>■ Heats slowly but unevenly.</li> <li>■ Ideal results on low-to-medium heat settings</li> </ul>
<b>Copper</b>	<ul style="list-style-type: none"> <li>■ Heats very quickly and evenly.</li> </ul>
<b>Earthenware</b>	<ul style="list-style-type: none"> <li>■ Follow manufacturer’s instructions.</li> <li>■ Use on low heat settings.</li> </ul>
<b>Porcelain enamel-on-steel or cast iron</b>	<ul style="list-style-type: none"> <li>■ See stainless steel or cast iron.</li> </ul>
<b>Stainless steel</b>	<ul style="list-style-type: none"> <li>■ Heats quickly but unevenly.</li> <li>■ A core or base of aluminum or copper on stainless steel provides even heating.</li> </ul>

## Home Canning

When canning for long periods, alternate the use of surface cooking areas, elements, or surface burners between batches. This allows time for the most recently used areas to cool.

- Center the canner on the grate or largest surface cooking area or element. On electric cooktops, canners should not extend more than 1/2" (1.3 cm) beyond the surface cooking area or element.
- Do not place canner on 2 surface cooking areas, elements, or surface burners at the same time.
- Use only flat-bottomed canners.
- For more information, contact your local agricultural department. Companies that manufacture home canning products can also offer assistance.

## Ceramic Glass

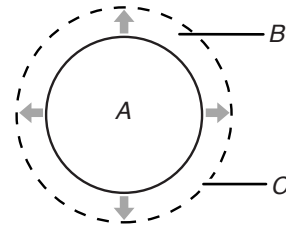
The surface cooking area will glow red when an element is on. Some parts of the surface cooking area may not glow red when an element is on. This is normal operation. The burner will cycle on and off to maintain the selected heat level. It will also randomly cycle off and back on again, even while on High, to keep the cooktop from extreme temperatures.

It is normal for the surface of light-colored ceramic glass to appear to change color when surface cooking areas are hot. As the glass cools, it will return to its original color.

Cleaning off the cooktop before and after each use will help keep it free from stains and provide the most even heating. On cooktops with light-colored ceramic glass, soils and stains may be more visible and may require more cleaning and attention. Cooktop cleaner and a cooktop scraper are recommended. For more information, see the “General Cleaning” section.

- Avoid storing jars or cans above the cooktop. Dropping a heavy or hard object onto the cooktop could crack the cooktop.
- To avoid damage to the cooktop, do not leave a hot lid on the cooktop. As the cooktop cools, air can become trapped between the lid and the cooktop, and the ceramic glass could break when the lid is removed.
- For foods containing sugar in any form, clean up all spills and soils as soon as possible. Allow the cooktop to cool down slightly. Then, while wearing oven mitts, remove the spills using a scraper while the surface is still warm. If sugary spills are allowed to cool down, they can adhere to the cooktop and can cause pitting and permanent marks.
- To avoid scratches, do not slide cookware or bakeware across the cooktop. Aluminum or copper bottoms and rough finishes on cookware or bakeware could leave scratches or marks on the cooktop. Do not cook popcorn in prepackaged aluminum containers on the cooktop. They could leave aluminum marks that cannot be removed completely.
- To avoid damage to the cooktop, do not allow objects that could melt, such as plastic or aluminum foil, to touch any part of the entire cooktop.
- To avoid damage to the cooktop, do not use the cooktop as a cutting board.

- Use cookware that is about the same size as the surface cooking area. Cookware should not extend more than  $\frac{1}{2}$ " (1.3 cm) outside the area.



A. Surface cooking area  
B. Cookware/canner  
C.  $\frac{1}{2}$ " (1.3 cm) maximum overhang

- Use flat-bottomed cookware for best heat conduction and energy efficiency. Cookware with rounded, warped, ribbed, or dented bottoms could cause uneven heating and poor cooking results.
- Determine flatness by placing the straight edge of a ruler across the bottom of the cookware. While you rotate the ruler, no space or light should be visible between it and the cookware.
- Cookware designed with slightly indented bottoms or small expansion channels can be used.
- Make sure the bottoms of pots and pans are clean and dry before using them. Residue and water can leave deposits when heated.
- To avoid damage to the cooktop, do not cook foods directly on the cooktop.

# COOKTOP CARE

## General Cleaning

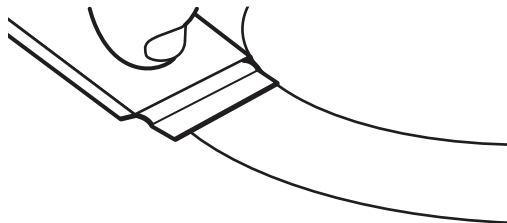
**IMPORTANT:** Before cleaning, make sure all controls are OFF and the cooktop is cool. Always follow label instructions on cleaning products.

Soap, water, and a soft cloth or sponge are suggested first unless otherwise noted.

### CERAMIC GLASS (on some models)

To avoid damaging the cooktop, do not use steel wool, abrasive powder cleansers, chlorine bleach, rust remover, or ammonia.

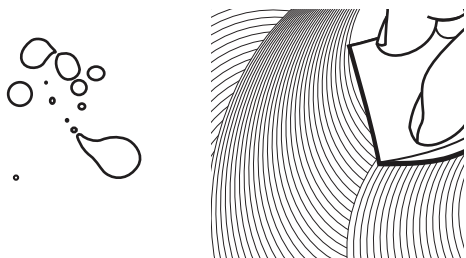
1. Remove food/residue with the Cooktop Scraper.



- For best results, use the Cooktop Scraper while the cooktop is still warm but not hot to the touch. It is recommended to wear an oven mitt while scraping the warm cooktop.
- Hold the Cooktop Scraper at approximately a 45° angle against the glass surface and scrape the residue. It will be necessary to apply pressure in order to remove the residue.

Allow the cooktop to cool down completely before proceeding to Step 2.

2. Apply a few dime-sized drops of affresh® Cooktop Cleaner to the affected areas.



- Rub affresh® Cooktop Cleaner onto the cooktop surface with the blue Cooktop Cleaning Pad. Some pressure is needed to remove stubborn stains.
  - Allow the cleaner to dry to a white haze before proceeding to Step 3.
3. Polish with a clean, dry cloth or a clean, dry paper towel.



- Repeat steps 1 through 3 as necessary for stubborn or burned-on stains.

The Complete Cooktop Cleaner Kit is available for order and includes the following:

- Cooktop Scraper
- affresh® Cooktop Cleaner
- Blue Cooktop Cleaning Pads

See the “Accessories” section for part numbers and information about ordering.

### STAINLESS STEEL (on some models)

To avoid damage to stainless steel surfaces, do not use soap-filled scouring pads, abrasive cleaners, cooktop cleaner, steelwool pads, gritty washcloths, or abrasive paper towels.

For best results, use a soft cloth or non-scratch sponge.

Rub in direction of grain to avoid damaging.

#### Cleaning Method:

- affresh® Stainless Steel Cleaner Part Number W10355016 (not included):  
See the “Assistance or Service” section to order.
- Liquid detergent or all-purpose cleaner:  
Rinse with clean water and dry with soft, lint-free cloth.
- Vinegar for hard water spots

### COOKTOP CONTROLS

To avoid damage to the cooktop controls, do not use steel wool, abrasive cleansers, or oven cleaner.

To avoid damage, do not soak knobs.

When replacing knobs, make sure knobs are in the Off position.

On some models, do not remove seals under knobs.

#### Cleaning Method:

- Soap and water:  
Pull knobs straight away from control panel to remove.
- Do not place knobs in dishwasher.

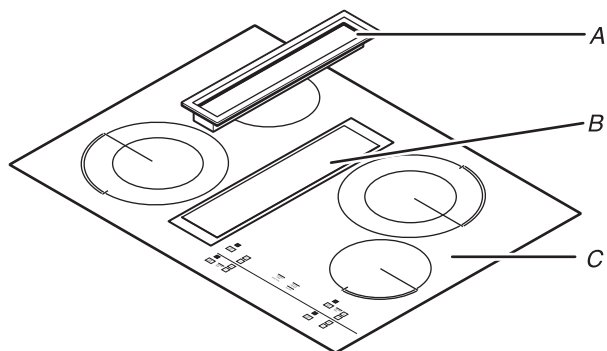
### CONTROL PANEL

To avoid damage to the control panel, do not use abrasive cleaners, steel-wool pads, gritty washcloths, or abrasive paper towels.

#### Cleaning Method:

- Glass cleaner and soft cloth or sponge:  
Apply glass cleaner to soft cloth or sponge, not directly on panel.
- affresh® Kitchen and Appliance Cleaner Part Number W10355010 (not included):  
See the “Assistance or Service” section to order.

## DOWNDRAFT VENTILATION SYSTEM



A. Vent grille  
B. Removable grease filter  
C. Ceramic glass top

### Vent Grate

#### Cleaning Method:

- Grasp the opening and lift the vent grille of the cooktop.
- Wipe clean or wash in sink:  
Nonabrasive plastic scrubbing pad and mildly abrasive cleanser.
- Dishwasher:  
Use mild detergent.

### Removable Grease Filter

The filter is a permanent type and should be cleaned when soiled.

#### Cleaning Method:

- Turn off the downdraft ventilation system before removing the filter.
- Remove vent grate then lift the filter out of the vent chamber.
- Clean the filter in the sink with warm water and detergent or in the dishwasher.
- Replace the filter.

The filter should always be placed at an angle. As you face the front of the cooktop, the top of the filter should rest against the left side of the vent opening. The bottom of the filter should rest against the right side of the vent chamber at the bottom.

If the filter is flat against the fan wall, ventilation effectiveness will be reduced.

### Ventilation Chamber

The ventilation chamber, which houses the filter, should be cleaned in the event of spills or when it becomes coated with a film of grease.

#### Cleaning Method:

- Mild household detergent or cleanser and paper towel, damp cloth, or sponge:  
Apply detergent or cleanser to paper towel, damp cloth, or sponge, not directly to the ventilation chamber.

# TROUBLESHOOTING

First try the solutions suggested here. If you need further assistance or more recommendations that may help you avoid a service call, refer to the warranty page in this manual and scan the code there with your mobile device, or visit <https://jennair.custhelp.com>. In Canada, visit <http://www.jennair.ca>.

Contact us by mail with any questions or concerns at the address below.

In the U.S.A.:

Jenn-Air Brand Home Appliances  
Customer eXperience Center  
553 Benson Road  
Benton Harbor, MI 49022-2692

In Canada:

Jenn-Air Brand Home Appliances  
Customer eXperience Centre  
200 - 6750 Century Ave.  
Mississauga, Ontario L5N 0B7

Please include a daytime phone number in your correspondence.

Problem	Possible Causes and/or Solutions
<b>Nothing will operate</b>	<b>A household fuse has blown or a circuit breaker has tripped:</b> Replace the fuse or reset the circuit breaker. If the problem continues, call an electrician. <b>Cooktop isn't wired properly:</b> See the Installation Instructions.
<b>Cooktop will not operate</b>	<b>Control knob set incorrectly:</b> Push in knob before turning to a setting. <b>One or more burners stopped working during use:</b> Allow the cooktop to cool down for 30 minutes, then turn the burner on again. <b>Control Lock is not set:</b> Press and hold "Control Lock" for 3 seconds
<b>Excessive heat around cookware on cooktop</b>	<b>Cookware is not the proper size:</b> Use cookware about the same size as the surface cooking area, element, or surface burner. Cookware should not extend more than ½" (1.3 cm) outside the cooking area. <b>Cooktop surfaces become hot:</b> When cooktop is in use, the entire cooktop area may become hot.
<b>Cooktop cooking results not what expected</b>	<b>Proper cookware is not being used:</b> See the "Cookware" section. <b>Control knob is not set to the proper heat level:</b> See the "Cooktop Controls" section. <b>Cooktop is not level:</b> Level the cooktop. See the Installation Instructions. <b>Certain power levels seem to take longer to cook food or some power levels do not perform as well as usual:</b> The cooktop regulates the temperature of the internal components and automatically reduces the power of all the elements in use without any visual or audible feedback. Allow the cooktop to cool down for 30 minutes to resume normal cooking performance. See "To Use" in the "Cooktop Controls" section.
<b>Cooktop is beeping</b>	<b>Key is pressed and held:</b> Remove any objects left on the control area, or wipe any debris from the control panel surface. If the cooktop continues beeping for longer than 15 minutes, the control panel will lock, and the F1E0 code will appear in the display. See "Cooktop is displaying F1E0 code" in this section.
<b>Cooktop is displaying F1E0 code</b>	<b>Cooktop is displaying F1E0, indicating that one or more keys are permanently pressed:</b> Follow the steps below. <ol style="list-style-type: none"><li>1. Make sure the cooktop controls are off.</li><li>2. Clean the cooktop touch control panel thoroughly. See the "General Cleaning" section.</li><li>3. Disconnect power or unplug the cooktop.</li><li>4. After 1 minute, reconnect power or plug in the cooktop.</li><li>5. If error returns after 1 minute, call for service.</li></ol>

---

# ASSISTANCE OR SERVICE

---

## If you need service

Please refer to the warranty page in this manual.

## If you need replacement parts

If you need to order replacement parts, we recommend that you use only factory specified parts. These factory specified parts will fit right and work right because they are made with the same precision used to build every new Jenn-Air® appliance.

To locate factory specified parts in your area, call us or your nearest Jenn-Air designated service center.

---

## In the U.S.A.

Call the Jenn-Air Customer eXperience Center toll-free: **1-800-JENNAIR (1-800-536-6247)** or visit our website at **www.jennair.com**.

### Our consultants provide assistance with:

- Scheduling of service. Jenn-Air appliances designated service technicians are trained to fulfill the product warranty and provide after-warranty service anywhere in the United States.
- Features and specifications on our full line of appliances.
- Referrals to local Jenn-Air appliance dealers.
- Installation information.
- Use and maintenance procedures.
- Accessory and repair parts sales.
- Specialized customer assistance (Spanish speaking, hearing impaired, limited vision, etc.).

### For further assistance:

If you need further assistance, you can write to Jenn-Air with any questions or concerns at:

Jenn-Air Appliances  
Customer eXperience Center  
553 Benson Road  
Benton Harbor, MI 49022-2692

Please include a daytime phone number in your correspondence.

## In Canada

Call the Jenn-Air Customer eXperience Center toll-free: **1-800-JENNAIR (1-800-536-6247)** or visit our website at **www.jennair.ca**.

### Our consultants provide assistance with:

- Scheduling of service. Jenn-Air appliances designated service technicians are trained to fulfill the product warranty and provide after-warranty service anywhere in Canada.
- Features and specifications on our full line of appliances.
- Referrals to local Jenn-Air appliance dealers.
- Use and maintenance procedures.
- Accessory and repair parts sales.

### For further assistance:

If you need further assistance, you can write to Jenn-Air with any questions or concerns at:

Customer eXperience Centre  
Whirlpool Canada  
200 - 6750 Century Ave.  
Mississauga, Ontario L5N 0B7

Please include a daytime phone number in your correspondence.

---

## Accessories

To order accessories, visit our website at **www.jennair.com**.

### affresh® Stainless Steel Cleaner

(stainless steel models)  
Order Part Number W10355016

### affresh® Kitchen and Appliance Cleaner

Order Part Number W10355010

# JENN-AIR® COOKING LIMITED WARRANTY

ATTACH YOUR RECEIPT HERE. PROOF OF PURCHASE IS REQUIRED TO OBTAIN WARRANTY SERVICE.

Please have the following information available when you call the Customer eXperience Center:

- Name, address and telephone number
- Model number and serial number
- A clear, detailed description of the problem
- Proof of purchase including dealer or retailer name and address

## IF YOU NEED SERVICE:

1. Before contacting us to arrange service, please determine whether your product requires repair. Some questions can be addressed without service. Please take a few minutes to review the Troubleshooting or Problem Solver section of the Use and Care Guide, scan the QR code on the right to access additional resources, or visit <https://jennair.custhelp.com>.
2. All warranty service is provided exclusively by our authorized Jenn-Air Service Providers. In the U.S. and Canada, direct all requests for warranty service to:



<https://jennair.custhelp.com>

**Jenn-Air Customer eXperience Center**  
**1-800-JENNAIR (1-800-536-6247).**

If outside the 50 United States or Canada, contact your authorized Jenn-Air dealer to determine whether another warranty applies.

## FIVE YEAR LIMITED WARRANTY

### WHAT IS COVERED

#### TWO YEAR LIMITED WARRANTY (PARTS & LABOR)

For two years from the date of purchase, when this major appliance is installed, operated and maintained according to instructions attached to or furnished with the product, Jenn-Air brand of Whirlpool Corporation or Whirlpool Canada, LP (hereafter "Jenn-Air") will pay for factory specified replacement parts and repair labor to correct defects in materials or workmanship that existed when this major appliance was purchased or, at its sole discretion replace the product. In the event of product replacement, your appliance will be warranted for the remaining term of the original unit's warranty period.

#### THIRD THROUGH FIFTH YEAR LIMITED WARRANTY (CERTAIN COMPONENT PARTS ONLY - LABOR NOT INCLUDED)

In the third through fifth years from the date of original purchase, when this major appliance is installed, operated and maintained according to instructions attached to or furnished with the product, Jenn-Air will pay for factory specified parts for the following components to correct non-cosmetic defects in materials or workmanship in these parts that prevent function of this major appliance and that existed when this major appliance was purchased. This is a limited 5-year warranty on the below named parts only and does not include repair labor.

- Electric element
- Touch Pad and microprocessor
- Glass ceramic cooktop: if due to thermal breakage
- Electronic controls
- Magnetron tube
- Sealed gas burners

**YOUR SOLE AND EXCLUSIVE REMEDY UNDER THIS LIMITED WARRANTY SHALL BE PRODUCT REPAIR AS PROVIDED HEREIN.** Service must be provided by a Jenn-Air designated service company. This limited warranty is valid only in the United States or Canada and applies only when the major appliance is used in the country in which it was purchased. This limited warranty is effective from the date of original consumer purchase. Proof of original purchase date is required to obtain service under this limited warranty.

### WHAT IS NOT COVERED

1. Commercial, non-residential, multiple-family use, or use inconsistent with published user, operator or installation instructions.
2. In-home instruction on how to use your product.
3. Service to correct improper product maintenance or installation, installation not in accordance with electrical or plumbing codes or correction of household electrical or plumbing (i.e. house wiring, fuses or water inlet hoses).
4. Consumable parts (i.e. light bulbs, batteries, air or water filters, preservation solutions, etc.).
5. Defects or damage caused by the use of non-genuine Jenn-Air parts or accessories.
6. Conversion of products from natural gas or L.P. gas.
7. Damage from accident, misuse, abuse, fire, floods, acts of God or use with products not approved by Jenn-Air.
8. Repairs to parts or systems to correct product damage or defects caused by unauthorized service, alteration or modification of the appliance.
9. Cosmetic damage including scratches, dents, chips, and other damage to the appliance finishes unless such damage results from defects in materials and workmanship and is reported to Jenn-Air within 30 days.
10. Discoloration, rust or oxidation of surfaces resulting from caustic or corrosive environments including but not limited to high salt concentrations, high moisture or humidity or exposure to chemicals.
11. Food or medicine loss due to product failure.
12. Pick-up or delivery. This product is intended for in-home repair.
13. Travel or transportation expenses for service in remote locations where an authorized Jenn-Air servicer is not available.
14. Removal or reinstallation of inaccessible appliances or built-in fixtures (i.e. trim, decorative panels, flooring, cabinetry, islands, countertops, drywall, etc.) that interfere with servicing, removal or replacement of the product.
15. Service or parts for appliances with original model/serial numbers removed, altered or not easily determined.

**The cost of repair or replacement under these excluded circumstances shall be borne by the customer.**

### DISCLAIMER OF IMPLIED WARRANTIES

IMPLIED WARRANTIES, INCLUDING ANY IMPLIED WARRANTY OF MERCHANTABILITY OR IMPLIED WARRANTY OF FITNESS FOR A PARTICULAR PURPOSE, ARE LIMITED TO ONE YEAR OR THE SHORTEST PERIOD ALLOWED BY LAW. Some states and provinces do not allow limitations on the duration of implied warranties of merchantability or fitness, so this limitation may not apply to you. This warranty gives you specific legal rights, and you also may have other rights that vary from state to state or province to province.

### DISCLAIMER OF REPRESENTATIONS OUTSIDE OF WARRANTY

Jenn-Air makes no representations about the quality, durability, or need for service or repair of this major appliance other than the representations contained in this warranty. If you want a longer or more comprehensive warranty than the limited warranty that comes with this major appliance, you should ask Jenn-Air or your retailer about buying an extended warranty.

### LIMITATION OF REMEDIES; EXCLUSION OF INCIDENTAL AND CONSEQUENTIAL DAMAGES

**YOUR SOLE AND EXCLUSIVE REMEDY UNDER THIS LIMITED WARRANTY SHALL BE PRODUCT REPAIR AS PROVIDED HEREIN. JENN-AIR SHALL NOT BE LIABLE FOR INCIDENTAL OR CONSEQUENTIAL DAMAGES.** Some states and provinces do not allow the exclusion or limitation of incidental or consequential damages, so these limitations and exclusions may not apply to you. This warranty gives you specific legal rights, and you also may have other rights that vary from state to state or province to province.

---

## Notes



# SÉCURITÉ DE LA TABLE DE CUISSON

## **Votre sécurité et celle des autres est très importante.**

Nous donnons de nombreux messages de sécurité importants dans ce manuel et sur votre appareil ménager. Assurez-vous de toujours lire tous les messages de sécurité et de vous y conformer.



Voici le symbole d'alerte de sécurité.

Ce symbole d'alerte de sécurité vous signale les dangers potentiels de décès et de blessures graves à vous et à d'autres.

Tous les messages de sécurité suivront le symbole d'alerte de sécurité et le mot "DANGER" ou "AVERTISSEMENT". Ces mots signifient :

**! DANGER**

**Risque possible de décès ou de blessure grave si vous ne suivez pas immédiatement les instructions.**

**! AVERTISSEMENT**

**Risque possible de décès ou de blessure grave si vous ne suivez pas les instructions.**

Tous les messages de sécurité vous diront quel est le danger potentiel et vous disent comment réduire le risque de blessure et ce qui peut se produire en cas de non-respect des instructions.

Avertissements de la proposition 65 de l'État de Californie :

**AVERTISSEMENT :** Ce produit contient au moins un produit chimique connu par l'État de Californie pour être à l'origine de cancers.

**AVERTISSEMENT :** Ce produit contient au moins un produit chimique connu par l'État de Californie pour être à l'origine de malformations et autres déficiences de naissance.

# IMPORTANTES INSTRUCTIONS DE SÉCURITÉ

**AVERTISSEMENT :** Pour réduire le risque d'incendie, de choc électrique, de blessures ou de dommages lors de l'utilisation de la table de cuisson, observer les précautions élémentaires suivantes, y compris ce qui suit :

- **MISE EN GARDE :** Ne pas remiser dans les armoires au-dessus d'une table de cuisson, des articles que des enfants pourraient vouloir atteindre. Les enfants pourraient se brûler ou se blesser en grimpant sur la table de cuisson.
- Installation appropriée – S'assurer que la table de cuisson est correctement installée et reliée à la terre par un technicien qualifié.
- Ne jamais utiliser la table de cuisson pour réchauffer ou chauffer la pièce.
- Ne pas laisser les enfants seuls – Les enfants ne doivent pas être laissés seuls ou sans surveillance dans la pièce où la table de cuisson est en service. Ne jamais laisser les enfants s'asseoir ou se tenir sur une partie quelconque de la table de cuisson.
- Porter des vêtements appropriés – Des vêtements amples ou détachés ne doivent jamais être portés pendant l'utilisation de la table de cuisson.
- Entretien par l'utilisateur – Ne pas réparer ou remplacer toute pièce de la table de cuisson si ce n'est pas spécifiquement recommandé dans le manuel. Toute autre opération d'entretien ou de réparation doit être confiée à un technicien qualifié.
- Remisage sur la table de cuisson – Des matériaux inflammables ne doivent pas être remisés près des éléments à la surface.
- Ne pas utiliser d'eau sur un feu de graisse – Éteindre le feu ou la flamme ou utiliser un extincteur à produits chimiques secs ou à mousse.
- N'utiliser que des mitaines de four sèches – Des mitaines de four mouillées ou humides sur des surfaces chaudes peuvent provoquer des brûlures provenant de la vapeur. Ne pas laisser les mitaines de four toucher les éléments chauffants. Ne pas utiliser une serviette ou autre tissu épais.
- **NE PAS TOUCHER LES ÉLÉMENTS À LA SURFACE OU L'ESPACE PRÈS DES ÉLÉMENTS** – Les éléments de surface peuvent être chauds même lorsqu'ils ont une teinte foncée. Les endroits près des éléments à la surface peuvent devenir assez chauds pour provoquer des brûlures. Pendant et après l'utilisation, ne pas toucher les éléments chauffants et ne pas laisser les vêtements ou autres matériaux inflammables entrer en contact avec ces éléments de surface ou les endroits près des éléments, avant qu'ils soient suffisamment refroidis. Ces endroits comprennent la table de cuisson et les surfaces près de la table de la cuisson.

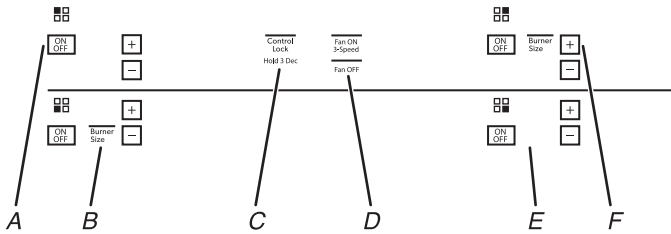
- Utiliser des ustensiles de format approprié – La table de cuisson est munie d'un ou de plusieurs éléments chauffants de différentes grandeurs. Choisir les ustensiles qui ont un fond plat assez grand pour couvrir l'élément chauffant de la surface de cuisson. L'utilisation d'ustensiles trop petits exposera une partie de l'élément chauffant, ce qui peut provoquer l'inflammation des vêtements. L'utilisation d'un récipient de format correct améliore l'efficacité de la cuisson.
  - Ne jamais laisser les éléments de la table de cuisson sans surveillance alors qu'ils chauffent à la puissance maximale – Il pourrait en résulter une ébullition qui cause de la fumée et des renversements de corps gras qui peuvent s'enflammer.
  - Ustensiles de cuisson vitrifiés – Seulement certains types d'ustensiles de verre, vitrocéramique, céramique, faïence ou autres surfaces vitrifiées conviennent pour le service sur une table de cuisson, sans bris attribuables aux changements soudains de température.
  - Les poignées des ustensiles doivent être tournées vers l'intérieur et non vers le dessus des éléments adjacents – Pour réduire les risques de brûlures, d'inflammation de produits combustibles et de renversements dus à l'entrechoquement non intentionnel des ustensiles, la poignée d'un ustensile doit être positionnée de sorte qu'elle est tournée vers l'intérieur et non au-dessus des éléments de surface adjacents.
  - Ne pas faire cuire sur une table de cuisson endommagée – Si la table de cuisson est brisée, les solutions de nettoyage et les renversements peuvent pénétrer dans la table brisée et créer le risque d'un choc électrique. Contacter immédiatement un technicien qualifié.
  - Nettoyer la table de cuisson avec prudence – Si une éponge ou un chiffon mouillé est utilisé pour essuyer les renversements sur une surface de cuisson chaude, éviter les brûlures causées par la vapeur chaude. Certains nettoyants peuvent produire des émanations désagréables lorsqu'ils sont utilisés sur une surface chaude.
- Pour les appareils avec hotte de ventilation –**
- Nettoyer les hottes de ventilation fréquemment – La graisse ne doit pas s'accumuler sur la hotte ou le filtre.
  - Lorsque vous flambez des aliments sous la hotte, mettre le ventilateur en marche.
- Pour les appareils à éléments en spirale –**
- S'assurer que les cuvettes de propreté sont en place – L'absence de ces cuvettes au cours de la cuisson peut causer des dommages aux fils ou aux composants en dessous des éléments.
  - Garnissages protecteurs – Ne pas recouvrir les cuvettes de papier d'aluminium sauf tel que suggéré dans le manuel. L'installation incorrecte de papier d'aluminium ou autre matériau peut causer un risque de choc électrique ou d'incendie.
  - Ne pas tremper les éléments de chauffage amovibles – Les éléments de chauffage ne doivent jamais être immergés dans l'eau.

**CONSERVEZ CES INSTRUCTIONS**

# PIÈCES ET CARACTÉRISTIQUES – COMMANDES ÉLECTRONIQUES TACTILES

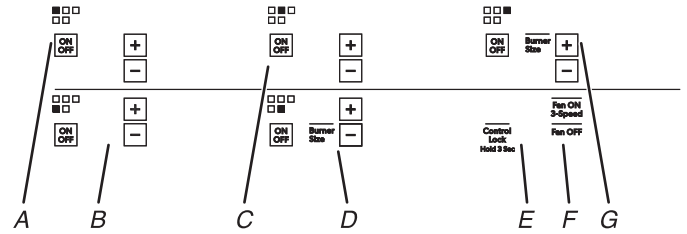
Ce manuel couvre différents modèles. La table de cuisson que vous avez achetée peut comporter tous les articles énumérés ou seulement certains d'entre eux.

## Tableau de commande de 30" (76,2 cm)



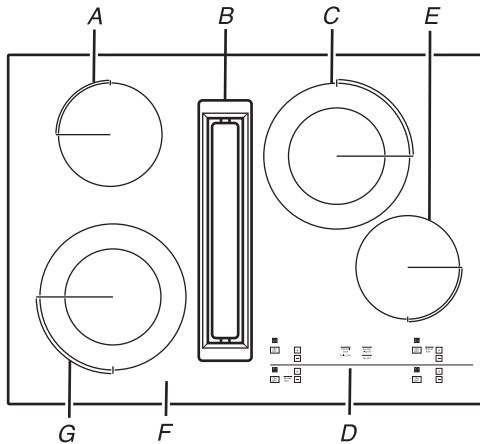
- A. Commande électronique tactile d'élément simple de 6" (15,2 cm)
- B. Commande électronique tactile d'élément double de 10"/6" (25,4 cm/15,2 cm)
- C. Commandes verrouillées appuyer pendant 3 sec.
- D. Commande électronique tactile du ventilateur à 3 vitesses
- E. Commande électronique tactile d'élément simple de 6" (15,2 cm)
- F. Commande électronique tactile d'élément double de 9"/6" (22,9 cm/15,2 cm)

## Tableau de commande de 36" (91,4 cm)



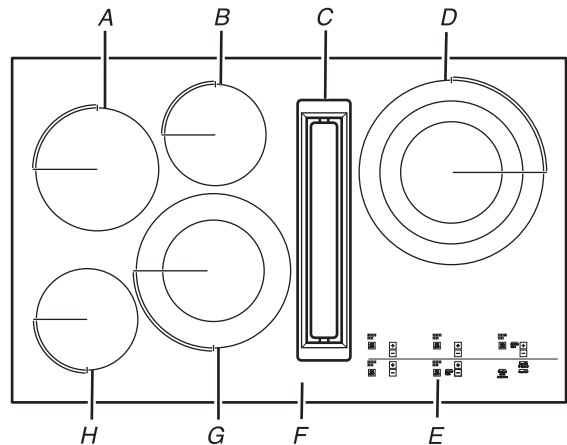
- A. Commande électronique tactile d'élément simple de 8" (20,3 cm)
- B. Commande électronique tactile d'élément simple de 6" (15,2 cm)
- C. Commande électronique tactile d'élément double de 10"/6" (25,4 cm/15,2 cm)
- D. Commande électronique tactile d'élément double de 10"/6" (25,4 cm/15,2 cm)
- E. Commandes verrouillées appuyer pendant 3 sec.
- F. Commande électronique tactile du ventilateur à 3 vitesses
- G. Commande électronique tactile d'élément triple de 12"/9"/6" (30,5 cm/22,9 cm/15,2 cm)

## Table de cuisson de 30" (76,2 cm)



- A. Élément simple de 6" (15,2 cm)
- B. Grille de ventilation à extraction par le bas
- C. Élément double de 9"/6" (22,9 cm/15,2 cm)
- D. Tableau de commande
- E. Élément simple de 6" (15,2 cm)
- F. Surface de cuisson en céramique
- G. Élément double de 10"/6" (25,4 cm/15,2 cm)

## Table de cuisson de 36" (91,4 cm)



- A. Élément simple de 8" (20,3 cm)
- B. Élément simple de 6" (15,2 cm)
- C. Grille de ventilation à extraction par le bas
- D. Élément triple de 12"/9"/6" (30,5 cm/22,9 cm/15,2 cm)
- E. Tableau de commande
- F. Surface de cuisson en céramique
- G. Élément double de 10"/6" (25,4 cm/15,2 cm)
- H. Élément simple de 6" (15,2 cm)

# COMMANDES DE LA TABLE DE CUISSON – COMMANDES ÉLECTRONIQUES TACTILES

## Commandes de la table de cuisson

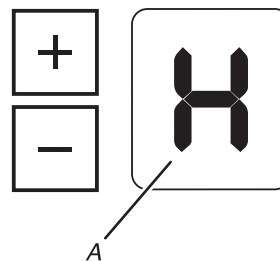
Utiliser le tableau suivant comme guide lors du réglage des niveaux de chaleur.

Réglage	Utilisation recommandée
<b>Élevé</b> <b>20 BOIL</b> <b>(ébullition)</b>	■ Démarrer la cuisson des aliments. ■ Porter un liquide à ébullition.
<b>Moyen-élevé</b> <b>17-19</b>	■ Maintenir une ébullition rapide. ■ Brunir ou saisir rapidement les aliments.
<b>Moyenne</b> <b>10-16</b>	■ Maintenir une ébullition lente. ■ Faire frire ou sauter les aliments.
<b>Moyen - bas</b> <b>04-09</b>	■ Faire cuire les soupes et les sauces. ■ Faire mijoter ou étuver les aliments.
<b>Bas</b> <b>03 SIMMER</b> <b>(mijoter)</b>	■ Fournit le réglage le plus bas de mijotage/chaleur. ■ Mijotage (gamme de températures de mijotage).
<b>Maintien au chaud</b> <b>02 K. WARM</b> <b>(maintien au chaud)</b>	■ Pour garder au chaud les aliments cuits.
<b>Faire fondre</b> <b>01 MELT</b> <b>(faire fondre)</b>	■ Faire fondre le chocolat et le beurre.
<b>Éléments double/triple</b>	■ Préparation de conserves à la maison ■ Ustensile de cuisson à grand diamètre ■ Grandes quantités de nourriture

**N'OUBLIEZ PAS :** Quand l'appareil est utilisé, toute la surface de la table de cuisson peut devenir chaude.

### Témoins lumineux de surface chaude

Un "H" apparaît sur l'affichage de la surface de cuisson tant qu'une surface de cuisson est trop chaude pour être touchée, même une fois que la ou les surfaces sont éteintes.



A. Témoin de surface chaude

### Témoin lumineux d'allumage de la table de cuisson

La table de cuisson est munie d'un témoin lumineux d'allumage de la table de cuisson. Le témoin s'allume lorsqu'un élément est en marche.

L'affichage de l'élément indique le niveau de puissance utilisé lorsque l'élément est en marche et qu'une puissance est sélectionnée.

## ⚠ AVERTISSEMENT



### Risque d'incendie

**La flamme d'un brûleur ne devrait pas dépasser le bord du récipient de cuisson.**

**Fermer tous les réglages lorsque la cuisson est terminée.**

**Le non-respect de ces instructions peut causer un décès ou un incendie.**

Les commandes électroniques tactiles offrent une grande variété de réglages de chaleur pour des résultats de cuisson optimaux.

Pour un fonctionnement maximal de l'élément, toutes les commandes électroniques tactiles de la table de cuisson peuvent être réglées à High (élevé) lorsqu'on porte rapidement un liquide à ébullition.

Lorsque la table de cuisson est allumée ou une fois le courant rétabli après une panne de courant, tous les témoins lumineux de réglage de température s'allument pendant 10 à 15 secondes. Une fois les témoins lumineux éteints, la table de cuisson est prête à l'emploi.

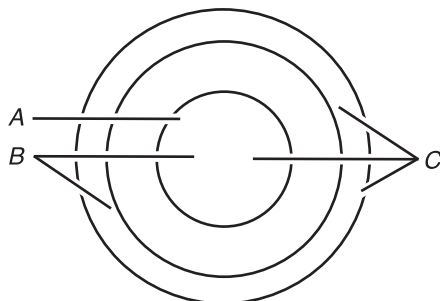
### Utilisation :

1. Appuyer sur ON/OFF (marche/arrêt) correspondant à l'élément souhaité.
2. Appuyer sur la touche + (plus) ou - (moins) pour sélectionner le niveau de puissance.  
**REMARQUE :** Maintenir enfoncée + ou - pendant quelques secondes pour naviguer rapidement dans les niveaux de puissance. Si un niveau de puissance n'est pas sélectionné dans les 10 secondes qui suivent, l'élément ne se met pas en marche.
3. Pour modifier la puissance pendant la cuisson, sélectionner un niveau de puissance en utilisant + ou -.
4. À la fin de la cuisson, appuyer sur ON/OFF (marche/arrêt) pour éteindre la surface de cuisson désirée ou appuyer sur OFF (arrêt) pour éteindre simultanément toutes les zones de cuisson.

## Éléments double/triple

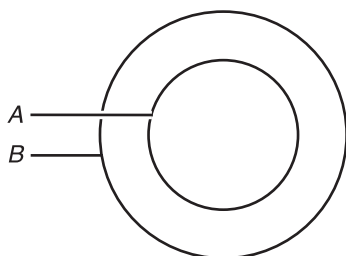
Les éléments double et triple offrent une souplesse d'utilisation en fonction de la taille de l'ustensile de cuisson. La dimension simple peut être utilisée de la même manière qu'un élément ordinaire. La dimension double et la dimension triple combinent l'élément simple, l'élément double et l'élément externe; leur utilisation est recommandée pour les ustensiles de cuisson de plus grande dimension, pour les grandes quantités de nourriture et la préparation de conserves à la maison.

### Élément triple (sur certains modèles)



A. Dimension simple  
B. Dimension double  
C. Dimension triple

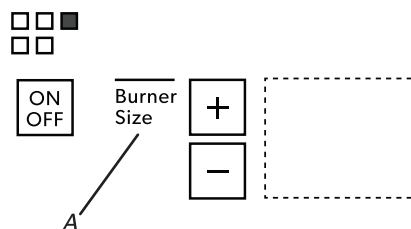
### Élément double



A. Élément simple  
B. Élément double

## Utilisation des éléments Dual et Triple :

1. Lorsqu'on appuie sur On/Off (marche/arrêt), toutes les zones de cuisson de l'élément activé seront utilisées. Pour réduire le nombre de zones de cuisson utilisées, appuyer sur BURNER SIZE (taille de brûleur). Un, deux ou trois témoins lumineux s'allument pour indiquer les zones de brûleur en cours d'utilisation. L'un des témoins lumineux clignotera.



A. Taille du brûleur

2. Appuyer sur + ou - pour sélectionner le niveau de puissance. Un signal sonore retentit chaque fois que l'on appuie sur une touche.  
**REMARQUE :** Maintenir enfoncée + ou - pendant quelques secondes pour naviguer rapidement dans les niveaux de puissance. Si un niveau de puissance n'est pas sélectionné dans les 10 secondes qui suivent, l'élément ne se met pas en marche.
3. Pour modifier la puissance pendant la cuisson, sélectionner un nouveau niveau de puissance en utilisant + ou -.  
**REMARQUE :** Si le niveau de puissance est au minimum, appuyer sur "-" (moins) permettra de passer immédiatement au niveau maximum.
4. Pour modifier la zone de cuisson utilisée, appuyer sur la touche de taille de brûleur.
5. À la fin de la cuisson, appuyer sur ON/OFF (marche/arrêt) pour éteindre la zone de cuisson désirée.

## Verrouillage des commandes

La commande de verrouillage de la table de cuisson empêche l'utilisation involontaire des zones de cuisson à la surface. Lorsque la table de cuisson est verrouillée, les surfaces de cuisson ne peuvent pas être activées au moyen des commandes tactiles de la table de cuisson.

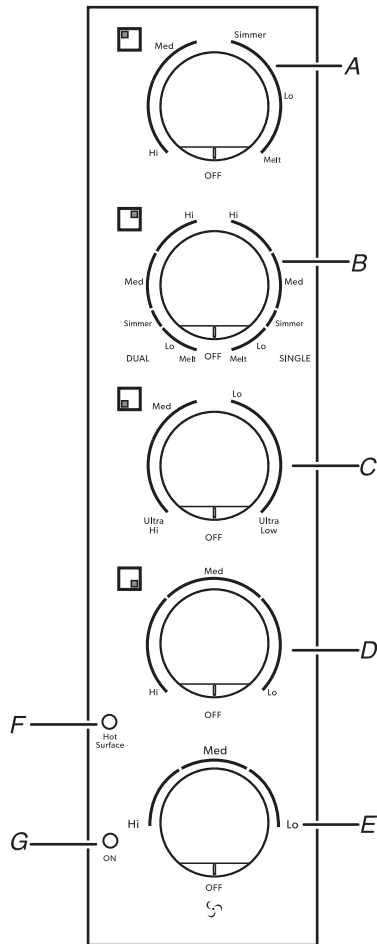
**Verrouillage de la table de cuisson :** Appuyer sur CONTROL LOCK HOLD 3 SEC (Commandes verrouillées appuyer pendant 3 sec.) pendant 3 secondes. Au bout de 3 secondes, CONTROL LOCK HOLD 3 SEC (Commandes verrouillées appuyer pendant 3 sec.) s'allume en rouge, indiquant que les commandes de la table de cuisson sont en position verrouillée.

**Déverrouillage de la table de cuisson :** Appuyer sur CONTROL LOCK HOLD 3 SEC (Commandes verrouillées appuyer pendant 3 sec.) pendant 3 secondes.

# PIÈCES ET CARACTÉRISTIQUES – COMMANDES À BOUTONS

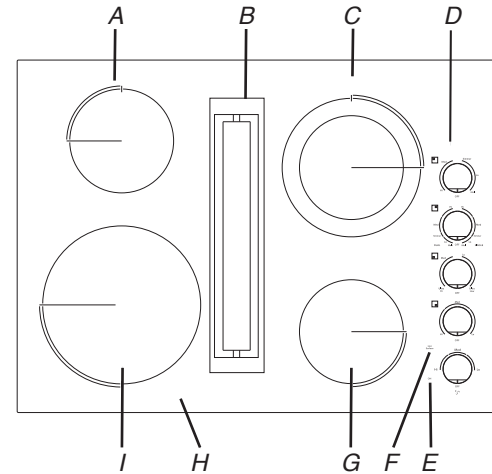
Ce manuel couvre différents modèles. La table de cuisson que vous avez achetée peut comporter tous les articles énumérés ou seulement certains d'entre eux.

## Tableau de commande de 30" (76,2 cm)



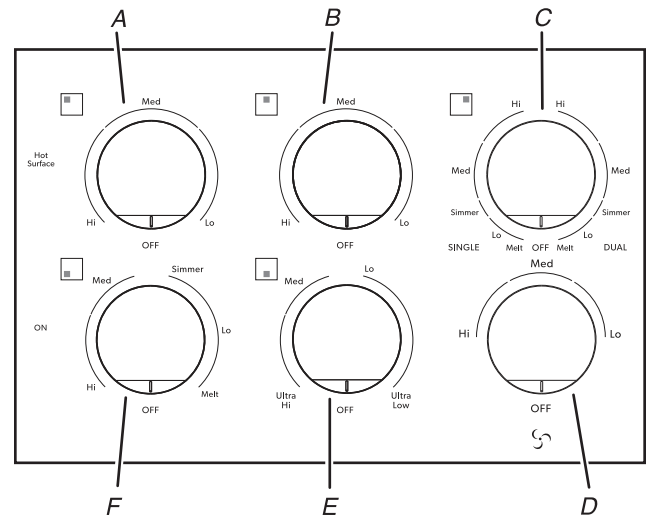
- A. Bouton de commande de l'élément simple de 6" (15,2 cm)
- B. Bouton de commande de l'élément double de 10"/6" (25,4 cm/15,2 cm)
- C. Bouton de commande de l'élément simple de 10" (25,4 cm)
- D. Bouton de commande de l'élément simple de 6" (15,2 cm)
- E. Commande électronique tactile du ventilateur à 3 vitesses
- F. Témoin lumineux de surface chaude
- G. Témoin lumineux d'allumage de la table de cuisson

## Table de cuisson de 30" (76,2 cm)



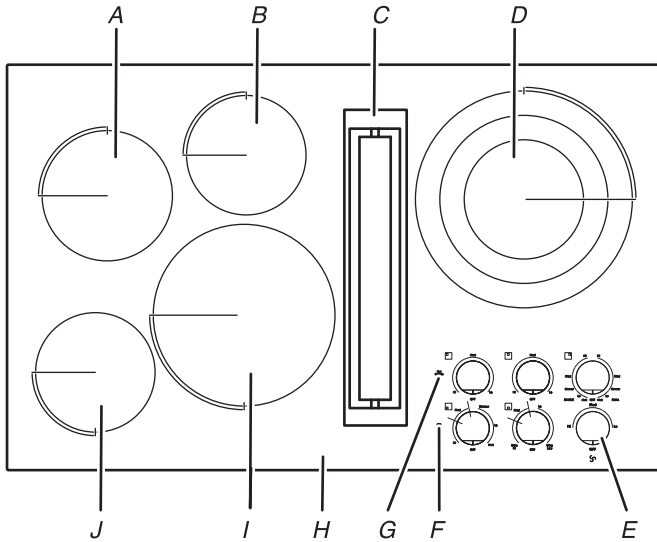
- A. Élément simple de 6" (15,2 cm)
- B. Grille de ventilation à extraction par le bas
- C. Bouton de commande de l'élément double de 10"/6" (25,4 cm/15,2 cm)
- D. Tableau de commande
- E. Témoin lumineux d'allumage de la table de cuisson
- F. Témoin lumineux de surface chaude
- G. Élément simple de 6" (15,2 cm)
- H. Surface de cuisson en céramique
- I. Élément simple de 10" (25,4 cm)

## Tableau de commande de 36" (91,4 cm)



- A. Bouton de commande de l'élément simple de 8" (20,3 cm)
- B. Bouton de commande de l'élément simple de 6" (15,2 cm)
- C. Bouton de commande de l'élément triple de 12"/9"/6" (30,5 cm/22,9 cm/15,2 cm)
- D. Commandes verrouillées appuyer pendant 3 sec.
- E. Bouton de commande de l'élément simple de 10" (25,4 cm)
- F. Bouton de commande de l'élément simple de 6" (15,2 cm)

## Table de cuisson de 36" (91,4 cm)



- A. Élément simple de 8" (20,3 cm)  
 B. Élément simple de 6" (15,2 cm)  
 C. Grille de ventilation à extraction par le bas  
 D. Élément triple de 12"/9"/6" (30,5 cm/22,9 cm/15,2 cm)  
 E. Tableau de commande  
 F. Témoin lumineux d'allumage de la table de cuisson  
 G. Témoin lumineux de surface chaude  
 H. Surface de cuisson en céramique  
 I. Élément simple de 10" (25,4 cm)  
 J. Élément simple de 6" (15,2 cm)

## COMMANDES DE LA TABLE DE CUISSON – COMMANDES À BOUTONS

### Commandes de la table de cuisson

#### **AVERTISSEMENT**



#### Risque d'incendie

**La flamme d'un brûleur ne devrait pas dépasser le bord du récipient de cuisson.**

**Fermer tous les réglages lorsque la cuisson est terminée.**

**Le non-respect de ces instructions peut causer un décès ou un incendie.**

Les boutons de commande peuvent être réglés à n'importe quelle position entre Hi (élevé) et Lo (bas).

#### Utilisation :

Pousser et tourner le bouton au réglage de chaleur désiré. Utiliser le tableau suivant comme guide lors du réglage des niveaux de chaleur.

Réglage	Utilisation recommandée
<b>Hi (élevé)</b>	■ Porter un liquide à ébullition.
<b>Med Hi (moyen-élevée)</b>	■ Maintenir une ébullition rapide. ■ Brunir ou saisir rapidement les aliments.
<b>Med (moyen)</b>	■ Maintenir une ébullition lente. ■ Faire frire ou sauter les aliments. ■ Faire cuire les soupes et les sauces.
<b>Med Lo (moyen-bas)</b>	■ Faire mijoter ou étuver les aliments. ■ Mijotage
<b>Lo (bas)</b>	■ Pour garder au chaud les aliments cuits.
<b>Éléments à double/triple circuit</b>	■ Préparation de conserves à la maison. ■ Ustensile de cuisson à grand diamètre. ■ Grandes quantités de nourriture.
<b>Faire fondre</b>	■ Faire fondre le chocolat ou le beurre.

**N'OUBLIEZ PAS :** Quand l'appareil est utilisé, toute la surface de la table de cuisson peut devenir chaude.

### Témoin lumineux de surface chaude

Cet appareil comporte un témoin lumineux de surface chaude. Le témoin lumineux de surface chaude reste allumé tant qu'une surface de cuisson est trop chaude pour être touchée, même une fois que la ou les surfaces de cuisson sont éteintes.

Si une panne de courant survient alors que la table de cuisson est allumée, le témoin lumineux de surface chaude restera allumé après le rétablissement de l'alimentation électrique à la table de cuisson. Il restera allumé jusqu'à ce que la table de cuisson refroidisse complètement.

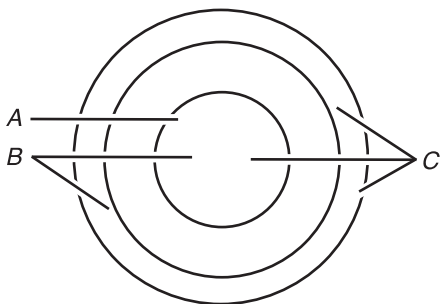
### Témoin d'alimentation de la table de cuisson

Toutes les tables de cuisson comportent un témoin lumineux d'allumage de la table de cuisson. Lorsque le bouton de commande est activé, le témoin s'allume.

## Élément à double/triple circuit

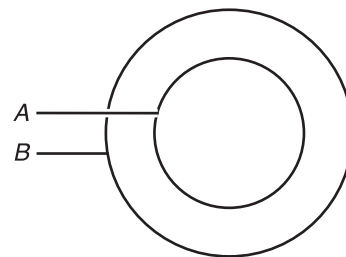
Les éléments à double ou triple dimension offrent une souplesse d'utilisation en fonction de la taille de l'ustensile de cuisson. La dimension simple peut être utilisée de la même manière qu'un élément ordinaire. La dimension double et la dimension triple combinent l'élément simple, l'élément double et l'élément externe; leur utilisation est recommandée pour les ustensiles de cuisson de plus grande dimension, pour les grandes quantités de nourriture et la préparation de conserves à la maison.

### Élément triple (sur certains modèles)



A. Dimension simple  
B. Dimension double  
C. Dimension triple

### Élément double



A. Élément simple  
B. Double élément

### Utilisation de l'élément simple :

1. Appuyer sur le bouton et le tourner de OFF (arrêt) à la zone Single (simple) n'importe où entre Melt (faire fondre) et Hi (élevé).
2. Tourner le bouton à OFF (arrêt) après avoir terminé.

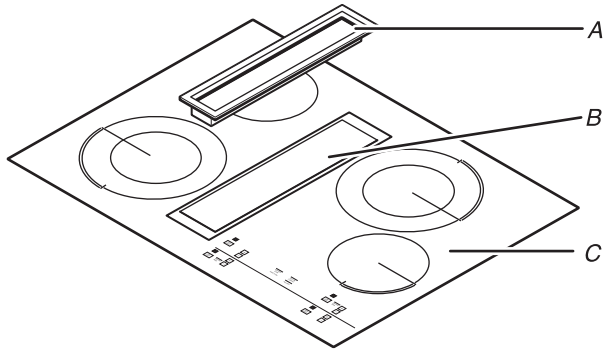
### Utilisation des éléments double et triple :

1. Appuyer sur le bouton et le tourner de OFF (arrêt) à la zone Dual (double) ou Triple n'importe où entre Melt (faire fondre) et Hi (élevé).
2. Tourner le bouton à OFF (arrêt) après avoir terminé.



# UTILISATION DE LA TABLE DE CUISSON

## Système de ventilation avec aspiration par le bas



- A. Grille de ventilation
- B. Filtre à graisse amovible
- C. Surface en vitrocéramique

**REMARQUE :** Modèle avec commande électronique tactile illustré.

Le système de ventilation à aspiration par le bas se compose d'une grille et d'un filtre d'évacuation, ainsi que d'un ventilateur d'évacuation. Le système de ventilation avec aspiration par le bas élimine les vapeurs et odeurs de cuisson ainsi que la fumée des aliments préparés sur la table de cuisson.

**IMPORTANT :** Pour un rendement optimal, faire fonctionner le système de ventilation avec aspiration par le bas lorsque le filtre est correctement installé.

Afin d'éviter une accumulation de graisse, le filtre doit être nettoyé souvent.

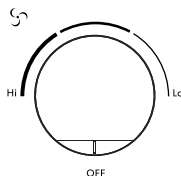
Pour plus d'informations sur l'installation et le nettoyage corrects du filtre, voir "Système de ventilation avec aspiration par le bas" dans la section "Nettoyage général".

### Pour utiliser – Commande électronique tactile :

1. Appuyer une fois sur 3 SPEED (3 vitesses) pour le mode élevé, deux fois pour le mode moyen ou trois fois pour le mode bas. Un signal sonore retentit chaque fois que l'on appuie sur la touche 3 Speed (3 vitesses).
2. Lorsque la cuisson est terminée, appuyer sur OFF pour éteindre le système d'aspiration par le bas ou appuyer sur 3 SPEED (3 vitesses) pendant environ 4 secondes pour régler le système de ventilation par le bas au mode automatique. Au mode automatique, le système d'aspiration par le bas s'éteint automatiquement après 10 minutes.

### Pour utiliser – Commande à boutons :

Tourner le bouton de ventilateur d'évacuation à LO (bas), HI (élevé) ou au réglage intermédiaire entre HI et LO (élevé et bas) correspondant au niveau Moyen. Tourner le bouton du ventilateur d'évacuation à OFF (arrêt) une fois la cuisson terminée, ou lorsqu'on n'utilise pas la table de cuisson.



## Préparation de conserves à la maison

Lors de la préparation de conserves pendant de longues périodes, alterner l'utilisation des surfaces de cuisson, des éléments ou des brûleurs de surface entre les quantités préparées. Cette alternance permet aux dernières surfaces utilisées de refroidir.

- Centrer l'autoclave sur la grille ou la plus grande surface de cuisson ou sur le plus grand élément. Sur les tables de cuisson électriques, l'autoclave ne doit pas dépasser de plus de 1/2" (1,3 cm) hors de la surface de cuisson ou de l'élément.
- Ne pas placer l'autoclave sur deux surfaces de cuisson, deux éléments ou deux brûleurs de surface à la fois.
- N'utiliser que des autoclaves à fond plat.
- Pour plus de renseignements, communiquez avec votre service local d'agriculture. Les compagnies qui fabriquent des produits pour la préparation de conserves peuvent aussi offrir de l'aide.

## Ustensiles de cuisson

**IMPORTANT :** Ne pas laisser un ustensile de cuisson vide sur la surface d'une table de cuisson, d'un élément ou d'un brûleur de surface chauds.

Les ustensiles de cuisson idéaux doivent avoir un fond plat, des parois droites, un couvercle qui ferme bien et le matériau doit être d'épaisseur moyenne à forte.

Les surfaces rêches peuvent érafler la table de cuisson ou les grilles. L'aluminium et le cuivre peuvent être employés comme fond ou base dans un ustensile de cuisson. Cependant, utilisés comme base, ils peuvent laisser des marques permanentes sur la table de cuisson ou les grilles.

Le matériau d'un ustensile de cuisson affecte la rapidité et l'uniformité de la transmission de la chaleur, ce qui affecte les résultats de cuisson. Un fini antiadhésif a les mêmes caractéristiques que son matériau de base. Par exemple, un ustensile de cuisson en aluminium avec un fini antiadhésif aura les propriétés de l'aluminium.

Utiliser le tableau suivant comme guide pour les caractéristiques du matériau de l'ustensile de cuisson.

Ustensile	Caractéristiques
<b>Aluminium</b>	<ul style="list-style-type: none"> <li>■ Chauffe rapidement et uniformément.</li> <li>■ Convient à tous les genres de cuisson.</li> <li>■ L'épaisseur moyenne ou forte convient le mieux pour la plupart des tâches de cuisson.</li> </ul>
<b>Fonte</b>	<ul style="list-style-type: none"> <li>■ Chauffe lentement et uniformément.</li> <li>■ Convient pour le brunissage et la friture.</li> <li>■ Maintient la chaleur pour une cuisson lente.</li> </ul>
<b>Céramique ou vitrocéramique</b>	<ul style="list-style-type: none"> <li>■ Suivre les instructions du fabricant.</li> <li>■ Chauffe lentement mais inégalement.</li> <li>■ Les meilleurs résultats sont obtenus sur les réglages de chaleur basse à moyenne</li> </ul>
<b>Cuivre</b>	<ul style="list-style-type: none"> <li>■ Chauffe très rapidement et de façon uniforme.</li> </ul>
<b>Terre cuite</b>	<ul style="list-style-type: none"> <li>■ Suivre les instructions du fabricant.</li> <li>■ Utiliser des réglages de température basse.</li> </ul>
<b>Acier émaillé (porcelaine) ou fonte émaillée</b>	<ul style="list-style-type: none"> <li>■ Voir acier inoxydable ou fonte.</li> </ul>
<b>Acier inoxydable</b>	<ul style="list-style-type: none"> <li>■ Chauffe rapidement, mais inégalement.</li> <li>■ Un fond ou une base d'aluminium ou de cuivre sur l'acier inoxydable procure un chauffage uniforme.</li> </ul>

## Vitrocéramique

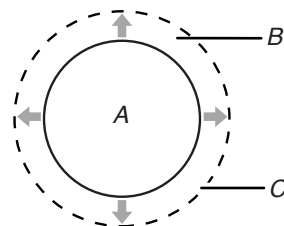
La surface de cuisson rougeoie lorsqu'un élément est allumé. Il est possible que certaines zones de la surface de cuisson ne rougeoient pas lorsqu'un élément est allumé. Ce phénomène est normal. Le brûleur s'allume et s'éteint par intermittence pour maintenir le niveau de chaleur sélectionné. Il fonctionne également par intermittence et de façon aléatoire (même en position élevée) afin de protéger la table de cuisson contre des températures extrêmes.

Il est normal que la surface de vitrocéramique claire semble changer de couleur lorsque les zones de cuisson à la surface sont chaudes. Lorsque le verre refroidit, il revient à sa couleur originale.

Le fait d'essuyer la table de cuisson avant et après chaque utilisation permettra d'éviter la présence de taches et d'assurer une meilleure répartition de la chaleur. Sur les tables de cuisson en vitrocéramique claire, les salissures et taches sont susceptibles d'être plus visibles et de nécessiter davantage de nettoyage et de soins. L'utilisation d'un nettoyant pour table de cuisson et d'un grattoir est recommandée. Voir la section "Nettoyage général" pour plus de renseignements.

- Ne pas ranger de bocaux ou de boîtes de conserve au-dessus de la table de cuisson. La chute d'un objet lourd ou dur sur la table de cuisson pourrait la fêler.
- Afin d'éviter d'endommager la table de cuisson, ne pas laisser un couvercle chaud sur la table de cuisson. Lorsque la table de cuisson refroidit, de l'air peut se trouver piégé entre le couvercle et la table de cuisson, et la vitrocéramique pourrait se casser lorsqu'on enlève le couvercle.

- Nettoyer dès que possible tous les renversements et toutes les salissures des aliments contenant du sucre sous n'importe quelle forme. Laisser la table de cuisson refroidir légèrement. Ensuite, tout en portant des mitaines de four, nettoyer les renversements avec un grattoir pendant que la surface est encore tiède. Si on laisse le sucre refroidir sur la table de cuisson, il se peut que celui-ci adhère à la surface et laisse un creux et des marques permanentes.
- Afin d'éviter toute égratignure, ne pas faire glisser d'ustensiles de cuisson sur la table de cuisson. Les fonds en aluminium ou en cuivre et les finis rugueux des ustensiles de cuisson pourraient laisser des égratignures ou des marques sur la table de cuisson. Ne pas faire cuire de maïs soufflé dans son emballage en aluminium d'origine sur la table de cuisson. Il pourrait rester des traces d'aluminium qui ne peuvent être complètement enlevées.
- Afin d'éviter d'endommager la table de cuisson, ne pas laisser d'objets qui pourraient fondre, comme du plastique ou du papier d'aluminium, toucher une partie quelconque de la table de cuisson.
- Afin d'éviter d'endommager la table de cuisson, ne pas l'utiliser en guise de planche à découper.
- Utiliser un ustensile de cuisson d'un diamètre comparable à la surface de cuisson. L'ustensile de cuisson ne doit pas dépasser de plus de 1/2" (1,3 cm) à l'extérieur de la zone de cuisson..



A. Zone de cuisson à la surface  
 B. Ustensiles de cuisson/autoclave  
 C. Dépassement maximal de 1/2" (1,3 cm)

- Utiliser des ustensiles de cuisson à fond plat pour une meilleure conduction de la chaleur et une meilleure utilisation de l'énergie. Les ustensiles de cuisson à fond arrondi, déformé, cannelé ou bosselé pourraient causer un chauffage inégal et de mauvais résultats de cuisson.
- Contrôler la planéité du récipient en plaçant une règle plate en travers du fond du récipient. Lorsque l'on fait tourner la règle, aucun espace ou jour ne doit être visible entre celle-ci et le récipient.
- Les ustensiles de cuisson à fond légèrement cannelé ou à petites stries de dilatation peuvent être utilisés.
- S'assurer que les fonds des casseroles et poêles sont propres et secs avant de les utiliser. Les résidus et l'eau peuvent laisser des dépôts quand ils sont chauffés.
- Afin d'éviter d'endommager la table de cuisson, ne pas faire cuire d'aliments directement sur la table de cuisson.

# ENTRETIEN DE LA TABLE DE CUISSON

## Nettoyage général

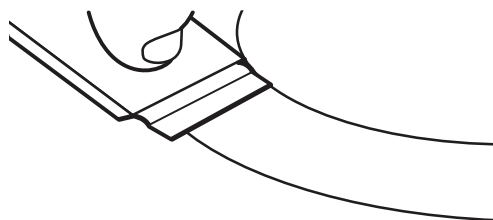
**IMPORTANT :** Avant le nettoyage, s'assurer que toutes les commandes sont désactivées et que la table de cuisson est refroidie. Toujours suivre les instructions figurant sur les étiquettes des produits de nettoyage.

L'usage de savon, d'eau et d'un chiffon doux ou d'une éponge est suggéré en priorité, sauf indication contraire.

### VITROCÉRAMIQUE (sur certains modèles)

Afin d'éviter d'endommager la table de cuisson, ne pas utiliser de laine d'acier, de nettoyeurs en poudre abrasifs, d'eau de Javel, de produit antirouille ou d'ammoniaque.

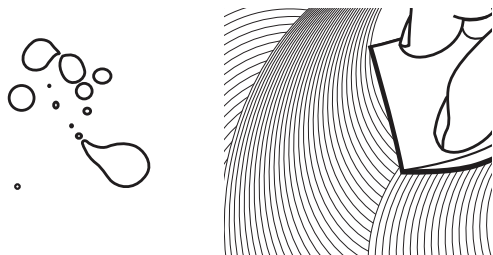
1. Éliminer les salissures alimentaires avec le grattoir pour table de cuisson.



- Pour faciliter le nettoyage, utiliser le grattoir pendant que la table de cuisson est encore tiède, mais non brûlante au toucher. Il est recommandé de porter des mitaines de four pour gratter la table de cuisson tiède.
- Tenir le grattoir pour table de cuisson à un angle d'environ 45° par rapport à la surface de verre et gratter les salissures. Il convient d'appuyer fermement pour éliminer les salissures.

Laisser la table de cuisson refroidir complètement avant de passer à l'étape 2.

2. Appliquer quelques gouttes de nettoyant pour table de cuisson affresh® sur les zones concernées.



- Frotter le nettoyant affresh® sur la surface de la table de cuisson avec le tampon bleu à nettoyer les tables de cuisson. Il convient d'appuyer fermement pour éliminer les taches rebelles.
  - Laisser le produit nettoyant sécher en une pellicule blanchâtre avant de passer à l'étape 3.
3. Faire briller avec un chiffon ou essuie-tout propre et sec.



- Répéter éventuellement les étapes 1 à 3 pour les taches les plus tenaces ou incrustées.

Le nécessaire complet de nettoyage des tables de cuisson est disponible à la commande. Il contient :

- Grattoir pour table de cuisson
- Nettoyant pour table de cuisson affresh®
- Tampons bleus à nettoyer les tables de cuisson

Consulter la section "Accessoires" pour les références et les informations de commande.

### ACIER INOXYDABLE (sur certains modèles)

Afin d'éviter d'endommager les surfaces en acier inoxydable, ne pas utiliser de tampons à récurer savonneux, de nettoyeurs abrasifs, de crème à polir pour table de cuisson, de tampons en laine d'acier, de chiffons de lavage rêches ou d'essuie-tout abrasifs.

Pour de meilleurs résultats, utiliser un chiffon doux ou une éponge non abrasive.

Frotter dans la direction du grain pour éviter les dommages.

#### Méthode de nettoyage :

- Nettoyant affresh® pour acier inoxydable – pièce n° W10355016 (non fournie) : Voir la section "Assistance ou service" pour commander.
- Détergent liquide ou nettoyant tout usage : Rincer à l'eau propre et sécher avec un chiffon doux sans charpie.
- Vinaigre pour les taches d'eau dure.

### COMMANDES DE LA TABLE DE CUISSON

Afin d'éviter d'endommager les commandes de la table de cuisson, ne pas utiliser de laine d'acier, de nettoyeurs abrasifs ou de nettoyant pour four.

Afin d'éviter toute détérioration, ne pas laisser tremper les boutons de commande.

Lors de la réinstallation des boutons, s'assurer que chaque bouton est à la position Off (arrêt).

Sur certains modèles, ne pas enlever les joints sous les boutons.

#### Méthode de nettoyage :

- Savon et eau : Tirer les boutons directement hors du tableau de commande pour les enlever.
- Ne pas laver les boutons de cuisson au lave-vaisselle.

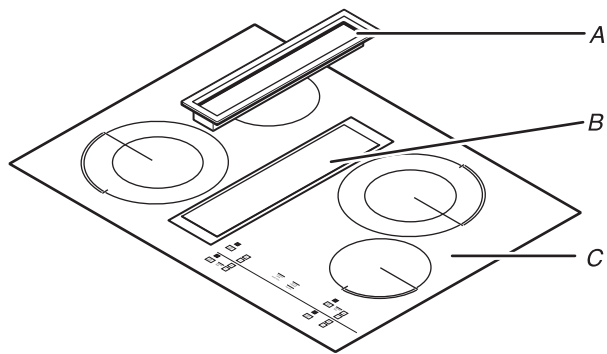
### TABLEAU DE COMMANDE

Afin d'éviter d'endommager le tableau de commande, ne pas utiliser de nettoyeurs abrasifs, de tampons en laine d'acier, de chiffons de lavage rêches ou d'essuie-tout abrasifs.

#### Méthode de nettoyage :

- Nettoyant à vitre et chiffon doux ou éponge : Appliquer le nettoyant à vitre sur un chiffon doux ou une éponge, et non directement sur le tableau.
- Nettoyant affresh® pour cuisine et appareils ménagers - pièce numéro W10355010 (non fourni) : Voir la section "Assistance ou service" pour commander.

## SYSTÈME DE VENTILATION AVEC ASPIRATION PAR LE BAS



A. Grille d'évacuation  
B. Filtre à graisse amovible  
C. Surface en vitrocéramique

### Grille d'évacuation

#### Méthode de nettoyage :

- Saisir l'ouverture et soulever la grille de ventilation pour la dégager de la table de cuisson.
- Essuyer ou laver dans un évier :  
Ustensile de récurage en plastique non abrasif et nettoyant légèrement abrasif.
- Lave-vaisselle :  
Utiliser un détergent doux.

### Filtre à graisse amovible

Le filtre correspond à un filtre permanent et doit être nettoyé lorsqu'il est sale.

#### Méthode de nettoyage :

- Éteindre le système de ventilation avec aspiration par le bas avant de retirer le filtre.
- Retirer la grille de ventilation puis dégager le filtre de la chambre d'évacuation en le soulevant.
- Nettoyer le filtre à l'eau tiède et au détergent dans l'évier ou au lave-vaisselle.
- Remplacer le filtre.

Le filtre doit toujours être placé en angle. Lorsque l'on se place face à la table de cuisson, le sommet du filtre doit reposer contre le côté gauche de l'ouverture d'aération. Le fond du filtre doit reposer contre le côté droit de la chambre d'évacuation, au fond de celle-ci.

Si le filtre est à plat contre la paroi du ventilateur, l'efficacité du système de ventilation sera réduite.

### Chambre d'évacuation

La chambre d'évacuation dans laquelle est logé le filtre doit être nettoyée régulièrement en cas de renversement ou si elle est recouverte d'une pellicule grasseuse.

#### Méthode de nettoyage :

- Détergent ou nettoyant doux pour usage domestique et essuie-tout, chiffon ou éponge humide :  
Appliquer le détergent ou nettoyant sur l'essuie-tout, le chiffon ou l'éponge humide et non pas directement sur la chambre d'évacuation.

### Filtre de rechange pour système de filtrage sans conduit de Jenn-Air® facultatif

La cartouche du filtre de rechange pour système de filtrage sans conduit de Jenn-Air®, pièce numéro JDA8000WX, est conçue pour durer pendant six mois de fonctionnement normal. La cartouche de filtre n'est pas conçue pour être nettoyée ni réutilisée et doit être remplacée par le TimeStrip®. Le rendement du système d'extraction par le bas sera réduit si le filtre n'est pas changé lorsque le TimeStrip® le recommande. Voir la section "Assistance ou service" pour plus d'informations sur le processus de commande.

# DÉPANNAGE

Essayez d'abord les solutions suggérées ici. Pour obtenir de l'aide ou des conseils qui permettront peut-être d'éviter une intervention de dépannage, consulter la page de garantie de ce manuel et scanner le code QR avec votre appareil mobile, ou visiter le site Internet <https://jennair.custhelp.com>. Au Canada, consulter <http://www.jennair.ca>.

Vous pouvez adresser tous commentaires ou questions par courrier à l'adresse ci-dessous.

Aux É.-U. :

Jenn-Air Brand Home Appliances  
Customer eXperience Center  
553 Benson Road  
Benton Harbor, MI 49022-2692

Au Canada :

Jenn-Air Brand Home Appliances  
Customer eXperience Centre  
200 - 6750 Century Ave.  
Mississauga, Ontario L5N 0B7

Dans votre correspondance, veuillez indiquer un numéro de téléphone où l'on peut vous joindre dans la journée.

Problème	Causes et solutions possibles
<b>Rien ne fonctionne</b>	<b>Un fusible est grillé ou un disjoncteur est déclenché</b> : Remplacer le fusible ou réarmer le disjoncteur. If the problem continues, call an electrician. <b>La table de cuisson n'est pas bien câblé</b> : Voir les instructions d'installation.
<b>La table de cuisson ne fonctionne pas</b>	<b>Le bouton de commande est mal réglé</b> : Pousser sur le bouton avant de le tourner à un réglage. <b>Durant l'utilisation, un ou plusieurs brûleurs ont cessé de fonctionner</b> : Laisser la table de cuisson refroidir pendant 30 minutes puis rallumer le brûleur. <b>Le mode verrouillage de boutons n'est pas activé</b> : Appuyer sur CONTROL LOCK (verrouillage des commandes) pendant 3 secondes.
<b>Chaleur excessive autour des ustensiles de cuisson sur la table de cuisson</b>	<b>Les ustensiles de cuisson n'ont pas la bonne taille</b> : Utiliser un ustensile de cuisson d'un diamètre comparable à la surface de cuisson, à l'élément ou au brûleur de surface. L'ustensile de cuisson ne doit pas dépasser de plus de 1/2" (1,3 cm) hors de la zone de cuisson. <b>La surface de la table de cuisson devient chaude</b> : Lorsque la table de cuisson est en marche, toute la surface de la table de cuisson peut devenir chaude.
<b>La cuisson ne produit pas les résultats escomptés</b>	<b>Le bon ustensile de cuisson n'est pas utilisé</b> : Voir la section "Ustensiles de cuisson". <b>Le bouton de commande est réglé sur une puissance de chauffe incorrecte</b> : Voir la section "Commandes de la table de cuisson". <b>La table de cuisson n'est pas d'aplomb</b> : Nivelier la table de cuisson. Consulter les instructions d'installation. <b>Certains réglages de puissance demandent plus de temps pour cuire les aliments ou certains niveaux de puissance n'offrent pas un rendement aussi efficace qu'à l'habitude</b> : La table de cuisson régule la température des composants internes et réduit automatiquement le niveau de puissance de tous les éléments en cours d'utilisation sans aucun signal visuel ou sonore. Laisser la table de cuisson refroidir pendant 30 minutes pour retrouver une performance de cuisson normale. Voir "Utilisation" dans la section "Commandes de la table de cuisson".
<b>La table de cuisson émet un signal sonore</b>	<b>Appuie sur une touche pendant plus de 15 secondes</b> : Retirer tout objet laissé sur la zone du module de commande ou essuyer les éventuelles saletés sur la surface du tableau de commande. Si la table de cuisson émet un signal sonore pendant plus de 15 minutes, le tableau de commande se verrouille et le code F1E0 code apparaît sur l'affichage.
<b>Le code F1E0 s'affiche sur la table de cuisson</b>	<b>Le code F1E0 s'affiche sur la table de cuisson, indiquant ainsi qu'une ou plusieurs touches sont maintenues enfoncées</b> : Suivre les étapes ci-dessous. <ol style="list-style-type: none"><li>1. S'assurer que les commandes de la table de cuisson sont sur off (arrêt).</li><li>2. Bien nettoyer le tableau de commande tactile de la table de cuisson (voir la section "Nettoyage général".)</li><li>3. Déconnecter la source de courant électrique ou débrancher la table de cuisson. Au bout d'une minute, reconnecter la source de courant électrique ou brancher la table de cuisson.</li><li>4. Si l'erreur réapparaît au bout d'une minute, appeler pour demander une intervention de dépannage..</li></ol>

# ASSISTANCE OU SERVICE

## Si vous avez besoin de service

Consulter la page de garantie du présent manuel.

## Si vous avez besoin de pièces de rechange

Si vous avez besoin de commander des pièces de rechange, nous vous recommandons d'utiliser seulement des pièces spécifiées par l'usine. Les pièces de rechange spécifiées par l'usine conviendront et fonctionneront bien parce qu'elles sont fabriquées selon la même précision que celle utilisée pour fabriquer chaque nouvel appareil Jenn-Air®.

Pour savoir où trouver des pièces spécifiées par l'usine dans votre région, nous appelons ou contactons le centre de service désigné Jenn-Air le plus proche.

## Aux É.-U.

Téléphoner sans frais au Centre pour l'eXpérience de la clientèle au : **1-800-JENNAIR (1-800-536-6247)** ou visiter notre site internet sur **www.jennair.com**.

### Nos consultants peuvent vous aider sur les points suivants :

- Programmation d'une intervention de dépannage. Les techniciens de service désignés par la gamme des appareils électroménagers Jenn-Air sont formés pour remplir la garantie des produits et fournir un service après garantie partout aux États-Unis.
- Caractéristiques et spécifications de notre gamme complète d'appareils ménagers.
- Références aux revendeurs Jenn-Air locaux.
- Renseignements sur l'installation.
- Procédés d'utilisation et d'entretien.
- Vente d'accessoires et de pièces de rechange.
- Assistance spécialisée au client (langue espagnole, malentendants, malvoyants, etc.).

### Pour plus d'assistance :

Si vous avez besoin de plus d'assistance, vous pouvez écrire à Jenn-Air en soumettant toute question ou problème à :

Jenn-Air Appliances  
Customer eXperience Center  
553 Benson Road  
Benton Harbor, MI 49022-2692

Veillez indiquer dans votre correspondance un numéro de téléphone où l'on peut vous joindre dans la journée.

## Au Canada

Téléphoner sans frais au Centre pour l'eXpérience de la clientèle au : **1-800-JENNAIR (1-800-536-6247)** ou visiter notre site internet sur **www.jennair.ca**.

### Nos consultants peuvent vous aider sur les points suivants :

- Programmation d'une intervention de dépannage. Les techniciens de service désignés par la gamme des appareils électroménagers Jenn-Air sont formés pour remplir la garantie des produits et fournir un service après garantie partout au Canada.
- Caractéristiques et spécifications de notre gamme complète d'appareils ménagers.
- Références aux revendeurs Jenn-Air locaux.
- Procédés d'utilisation et d'entretien.
- Vente d'accessoires et de pièces de rechange.

### Pour plus d'assistance :

Si vous avez besoin de plus d'assistance, vous pouvez écrire à Jenn-Air en soumettant toute question ou problème à :

Customer eXperience Centre  
Whirlpool Canada  
200 - 6750 Century Ave.  
Mississauga, Ontario L5N 0B7

Veillez indiquer dans votre correspondance un numéro de téléphone où l'on peut vous joindre dans la journée.

## Accessoires

Pour les accessoires, consulter notre site Web **www.jennair.com**.

### Nettoyant pour acier inoxydable affresh®

(modèles en acier inoxydable)  
Commander la pièce numéro W10355016

### Nettoyant pour cuisine et appareils ménagers affresh®

Commander la pièce numéro W10355010

# GARANTIE LIMITÉE DES APPAREILS DE CUISSON JENN-AIR®

ATTACHEZ ICI VOTRE REÇU DE VENTE. UNE PREUVE D'ACHAT EST OBLIGATOIRE POUR OBTENIR L'APPLICATION DE LA GARANTIE.

Lorsque vous appelez le centre d'expérience de la clientèle, veuillez garder à disposition les renseignements suivants :

- Nom, adresse et numéro de téléphone
- Numéros de modèle et de série
- Une description claire et détaillée du problème rencontré
- Une preuve d'achat incluant le nom et l'adresse du marchand ou du détaillant

## SI VOUS AVEZ BESOIN DE SERVICE :

1. Avant de nous contacter pour obtenir un dépannage, veuillez déterminer si des réparations sont nécessaires pour votre produit. Certains problèmes peuvent être résolus sans intervention de dépannage. Prenez quelques minutes pour parcourir la section Dépannage ou Résolution de problèmes du guide d'utilisation et d'entretien, scannez le code QR ci-contre avec votre téléphone intelligent pour accéder à des ressources supplémentaires, ou rendez-vous sur le site <https://www.jennair.ca>.
2. Tout service sous garantie doit être effectué exclusivement par nos fournisseurs de dépannage autorisés Jenn-Air. Aux É.-U. et au Canada, dirigez toutes vos demandes de service sous garantie au

**Centre d'expérience de la clientèle Jenn-Air**  
**1-800-JENNAIR (1-800-536-6247).**

Si vous résidez à l'extérieur du Canada et des 50 États des États-Unis, contactez votre marchand Jenn-Air autorisé pour déterminer si une autre garantie s'applique.



<https://www.jennair.ca>

## GARANTIE LIMITÉE DE CINQ ANS

### CE QUI EST COUVERT

#### GARANTIE LIMITÉE DE DEUX ANS (PIÈCES ET MAIN-D'ŒUVRE)

Pendant deux ans à compter de la date d'achat, lorsque ce gros appareil ménager est installé, utilisé et entretenu conformément aux instructions jointes au produit ou fournies avec, la marque Jenn-Air de Whirlpool Corporation ou Whirlpool Canada, LP (ci-après désignées "Jenn-Air") paiera pour les pièces de rechange spécifiées par l'usine et pour la main-d'œuvre pour corriger les vices de matériaux ou de fabrication qui existaient déjà lorsque ce gros appareil ménager a été acheté. S'il est remplacé, l'appareil sera couvert pour la période restant à courir de la garantie limitée d'un an du produit d'origine.

#### GARANTIE LIMITÉE DE LA TROISIÈME À LA CINQUIÈME ANNÉE (CERTAINS COMPOSANTS UNIQUEMENT - MAIN-D'ŒUVRE NON COMPRISE)

De la troisième à la cinquième année inclusivement à compter de la date d'achat initiale, lorsque ce gros appareil ménager est installé, utilisé et entretenu conformément aux instructions jointes au produit ou fournies avec, Jenn-Air paiera pour les pièces de rechange spécifiées par l'usine concernant les composants suivants pour corriger les défauts non esthétiques de matériau ou de fabrication desdites pièces qui empêchent le gros appareil de fonctionner et qui étaient déjà présentes lorsque ce gros appareil ménager a été acheté. La présente garantie est une garantie limitée de 5 ans sur les pièces énumérées ci-dessous et elle ne comprend pas la main-d'œuvre de réparation.

- Élément électrique
- Clavier tactile et microprocesseur
- Table de cuisson en vitrocéramique : en cas de bris d'origine thermique
- Commandes électroniques
- Tube magnétron
- Brûleurs à gaz scellés

LE SEUL ET EXCLUSIF RECOURS DU CLIENT DANS LE CADRE DE LA PRÉSENTE GARANTIE LIMITÉE CONSISTE EN LA RÉPARATION PRÉVUE PAR LA PRÉSENTE. Le service doit être fourni par une compagnie de service désignée par Jenn-Air. Cette garantie limitée est valide uniquement aux États-Unis ou au Canada et s'applique exclusivement lorsque le gros appareil ménager est utilisé dans le pays où il a été acheté. La présente garantie limitée est valable à compter de la date d'achat initial par le consommateur. Une preuve de la date d'achat initial est exigée pour obtenir un dépannage dans le cadre de la présente garantie limitée.

### CE QUI N'EST PAS COUVERT

1. Usage commercial, non résidentiel ou par plusieurs familles, ou non-respect des instructions de l'utilisateur, de l'opérateur ou des instructions d'installation.
2. Visite d'instruction à domicile pour montrer à l'utilisateur comment utiliser l'appareil.
3. Visites de service pour rectifier une installation ou un entretien fautifs du produit, une installation non conforme aux codes d'électricité ou de plomberie, ou la rectification de l'installation électrique ou de la plomberie du domicile (ex : câblage électrique, fusibles ou tuyaux d'arrivée d'eau du domicile).
4. Pièces consommables (ex : ampoules, batteries, filtres à air ou à eau, solutions de conservation, etc.).
5. Défauts ou dommage résultant de l'utilisation de pièces ou accessoires Jenn-Air non authentiques.
6. Conversion de votre produit du gaz naturel ou du gaz de pétrole liquéfié.
7. Dommages causés par : accident, mésusage, abus, incendie, inondations, catastrophe naturelle ou l'utilisation de produits non approuvés par Jenn-Air.
8. Réparations aux pièces ou systèmes dans le but de rectifier un dommage ou des défauts résultant d'une réparation, altération ou modification non autorisée faite à l'appareil.
9. Défauts d'apparence, notamment les éraflures, traces de choc, fissures ou tout autre dommage causés au fini de l'appareil ménager, à moins que ces dommages ne résultent de vices de matériaux ou de fabrication et ne soient signalés à Jenn-Air dans les 30 jours suivant la date d'achat.
10. Décoloration, rouille ou oxydation des surfaces résultant d'environnements caustiques ou corrosifs incluant des concentrations élevées de sel, un haut degré d'humidité ou une exposition à des produits chimiques.
11. Perte d'aliments ou de médicaments due à la défaillance du produit.
12. Enlèvement ou livraison. Ce produit est conçu pour être réparé au domicile.
13. Frais de déplacement et de transport pour le dépannage/la réparation dans une région éloignée où une compagnie de service Jenn-Air autorisée n'est pas disponible.
14. Retrait ou réinstallation d'appareils inaccessibles ou de dispositifs préinstallés (ex : garnitures, panneaux décoratifs, plancher, meubles, îlots de cuisine, plans de travail, panneaux de gypse, etc.) qui entravent le dépannage, le retrait ou le remplacement du produit.
15. Service et pièces pour des appareils dont les numéros de série et de modèle originaux ont été enlevés, modifiés ou ne peuvent pas être facilement identifiés.

**Le coût d'une réparation ou d'un remplacement dans le cadre de ces circonstances exclues est à la charge du client.**

---

**CLAUSE D'EXONÉRATION DE RESPONSABILITÉ AU TITRE DES GARANTIES IMPLICITES**

LES GARANTIES IMPLICITES, Y COMPRIS LES GARANTIES APPLICABLES DE QUALITÉ MARCHANDE OU D'APTITUDE À UN USAGE PARTICULIER, SONT LIMITÉES À UN AN OU À LA PLUS COURTE PÉRIODE AUTORISÉE PAR LA LOI. Certains États et provinces ne permettent pas de limitation sur la durée des garanties implicites de qualité marchande ou d'aptitude à un usage particulier, de sorte que la limitation ci-dessus peut ne pas être applicable dans votre cas. Cette garantie vous confère des droits juridiques spécifiques et vous pouvez également jouir d'autres droits qui peuvent varier d'une juridiction à l'autre.

---

**EXONÉRATION DE RESPONSABILITÉ DANS LES DOMAINES NON COUVERTS PAR LA GARANTIE**

Jenn-Air décline toute responsabilité au titre de la qualité, de la durabilité ou en cas de dépannage ou de réparation nécessaire sur ce gros appareil ménager autre que les responsabilités énoncées dans la présente garantie. Si vous souhaitez une garantie plus étendue ou plus complète que la garantie limitée fournie avec ce gros appareil ménager, adressez-vous à Jenn-Air ou à votre détaillant pour obtenir les modalités d'achat d'une garantie étendue.

---

**LIMITATION DES RECOURS; EXCLUSION DES DOMMAGES FORTUITS OU INDIRECTS**

LE SEUL ET EXCLUSIF RECOURS DU CLIENT DANS LE CADRE DE LA PRÉSENTE GARANTIE LIMITÉE CONSISTE EN LA RÉPARATION PRÉVUE PAR LA PRÉSENTE. JENN-AIR N'ASSUME AUCUNE RESPONSABILITÉ POUR LES DOMMAGES FORTUITS OU INDIRECTS. Certains États et certaines provinces ne permettent pas l'exclusion ou la limitation des dommages fortuits ou indirects de sorte que ces limitations et exclusions peuvent ne pas être applicables dans votre cas. Cette garantie vous confère des droits juridiques spécifiques et vous pouvez également jouir d'autres droits qui peuvent varier d'une juridiction à l'autre.

---

12/14