



# 15" (38.1 CM) ELECTRIC COOKTOP INSTALLATION INSTRUCTIONS

## INSTRUCTIONS D'INSTALLATION DE TABLE DE CUISSON ÉLECTRIQUE DE 15" (38,1 CM)

### Table of Contents/Table des matières

<b>COOKTOP SAFETY</b> .....	<b>2</b>	<b>SÉCURITÉ DE LA TABLE DE CUISSON</b> .....	<b>8</b>
<b>INSTALLATION REQUIREMENTS</b> .....	<b>3</b>	<b>EXIGENCES D'INSTALLATION</b> .....	<b>9</b>
Tools and Parts.....	3	Outillage et pièces.....	9
Location Requirements.....	3	Exigences d'emplacement.....	10
Electrical Requirements .....	5	Spécifications électriques.....	12
<b>INSTALLATION INSTRUCTIONS</b> .....	<b>5</b>	<b>INSTRUCTIONS D'INSTALLATION</b> .....	<b>13</b>
Prepare Cooktop for Installation .....	5	Préparation de la table de cuisson pour l'installation.....	13
Install Cooktop .....	6	Installation de la table de cuisson.....	13
Make Electrical Connection .....	6	Raccordement électrique.....	14
Complete Installation .....	7	Achever l'installation .....	15

#### IMPORTANT:

**Installer:** Leave installation instructions with the homeowner.

**Homeowner:** Keep installation instructions for future reference.

#### IMPORTANT :

**Installateur :** Remettre les instructions d'installation au propriétaire.

**Propriétaire :** Conserver les instructions d'installation pour référence ultérieure.

# COOKTOP SAFETY

## Your safety and the safety of others are very important.

We have provided many important safety messages in this manual and on your appliance. Always read and obey all safety messages.



This is the safety alert symbol.

This symbol alerts you to potential hazards that can kill or hurt you and others.

All safety messages will follow the safety alert symbol and either the word "DANGER" or "WARNING."

These words mean:

 **DANGER**

You can be killed or seriously injured if you don't immediately follow instructions.

 **WARNING**

You can be killed or seriously injured if you don't follow instructions.

All safety messages will tell you what the potential hazard is, tell you how to reduce the chance of injury, and tell you what can happen if the instructions are not followed.

# INSTALLATION REQUIREMENTS

## Tools and Parts

Gather the required tools and parts before starting installation.

### Tools needed

- Tape measure
- Marker or pencil
- 1/4" (6.35 mm) nut driver
- Pliers
- #2 Phillips screwdriver
- Flat-blade screwdriver

### Parts supplied

- Foam strip roll
- Clamping brackets (2)
- 2 1/2" (6.4 cm) clamping screws (2)
- Drip tray
- Mounting bridge kit: W11031680

### Parts needed

- A UL Listed or CSA Approved connector for 1/2" (1.3 cm) diameter conduit
- UL Listed wire connectors

Check local codes. Check existing electrical supply. See the "Electrical Requirements" section.

It is recommended that all electrical connections be made by a licensed, qualified electrical installer.

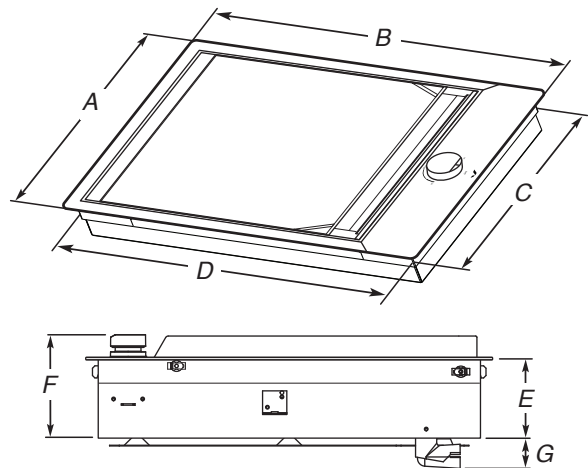
## Location Requirements

**IMPORTANT:** Observe all governing codes and ordinances. When installing cooktop, use minimum dimensions given.

- The cooktop must be a specified cooktop that is approved to be installed either alone or over an undercounter built-in oven. Check the cooktop base for an approved installation label. If you do not find this label, contact your dealer to confirm that your cooktop is approved.
- The cooktop must be installed in a level countertop.
- To eliminate the risk of burns or fire by reaching over the heated surface units, cabinet storage space located above the surface units should be avoided. If cabinet storage is to be provided, the risk can be reduced by installing a range hood or microwave hood combination that projects horizontally a minimum of 5" (12.7 cm) beyond the bottom of the cabinets.
- Ovens approved for this type of installation will have an approval label located on the top of the oven. If you do not find this label, contact your dealer to confirm that your oven is approved. Refer to oven manufacturer's Installation Instructions for approval for built-in undercounter use and proper cutout dimensions.
- The cooktop should be installed away from strong draft areas, such as windows, doors, fans, or strong heating vents. The cooktop should be located for convenient use in the kitchen.
- Use the countertop opening dimensions that are given with these Installation Instructions. Given dimensions are minimum clearances and provide 0" (0 cm) clearance.
- Grounded electrical supply is required. See the "Electrical Requirements" section.

**IMPORTANT:** To avoid damage to your cabinets, check with your builder or cabinet supplier to make sure that the materials used will not discolor, delaminate, or sustain other damage. This cooktop has been designed in accordance with the requirements of UL and CSA International and complies with the maximum allowable wood cabinet temperatures of 194°F (90°C).

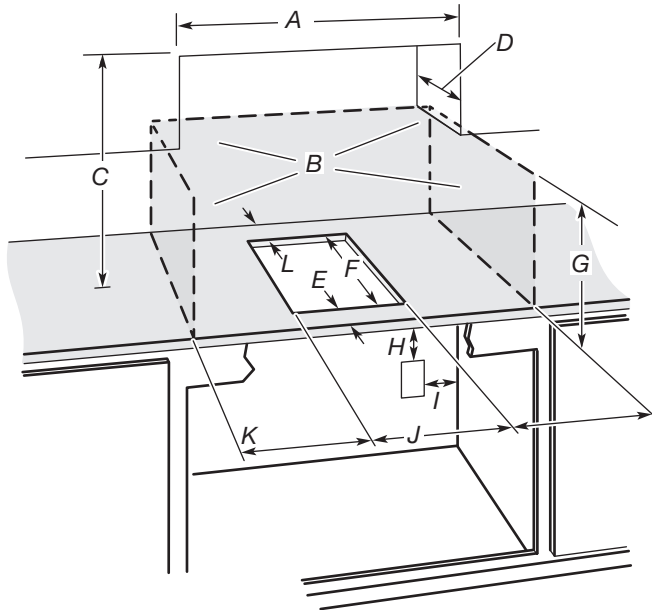
## Product Dimensions



- A. 15" (38.1 cm)
- B. 21" (53.3 cm)
- C. 14<sup>19</sup>/<sub>64</sub>" (36.3 cm)
- D. 20<sup>19</sup>/<sub>64</sub>" (51.5 cm)
- E. 4<sup>1</sup>/<sub>4</sub>" (10.8 cm)
- F. 5<sup>1</sup>/<sub>2</sub>" (14.0 cm)
- G. 1<sup>1</sup>/<sub>4</sub>" (3.2 cm)

## Cabinet Dimensions

**IMPORTANT:** If installing a range hood or microwave hood combination above the cooktop, follow the range hood or microwave hood combination installation instructions for dimensional clearances above the cooktop surface.



- A. Minimum upper cabinet width. See the "Multi-Unit Dimensions" table.
- B. Combustible area above countertop (shown by dashed box above)
- C. 30" (76.2 cm) minimum clearance between top of cooktop platform and bottom of uncovered wood or metal cabinet (24" [61 cm] minimum clearance if bottom of wood or metal cabinet is covered by not less than 1/4" [0.6 cm] flame retardant millboard covered with not less than No. 28 MSG sheet steel, 0.015" [0.04 cm] stainless steel, or 0.024" [0.06 cm] aluminum or 0.020" [0.05 cm] copper)
- D. 13" (33 cm) recommended upper cabinet depth
- E. 2<sup>5</sup>/<sub>16</sub>" (5.9 cm) minimum distance to front countertop edge
- F. 20<sup>3</sup>/<sub>16</sub>" (51.8 cm)
- G. 18" (45.7 cm) minimum clearance from upper cabinet to countertop within minimum horizontal clearances to cooktop
- H. Junction box or outlet: 7" (17.8 cm) minimum from top of countertop
- I. Junction box or outlet: 9" (23.0 cm) maximum from right side of cabinet
- J. See the "Multi-Unit Dimensions" table.
- K. 6" (15.2 cm) minimum side wall clearance
- L. 2<sup>5</sup>/<sub>16</sub>" (5.9 cm) minimum distance to rear combustibile surface

## Multi-Unit Dimensions

Units	Upper Cabinet Width (A)	Cutout Width (J)
One 15" (38.1 cm) unit	15" (38.1 cm)	14 <sup>3</sup> / <sub>8</sub> " (36.5 cm)
Two 15" (38.1 cm) units	30" (76.2 cm)	29 <sup>3</sup> / <sub>8</sub> " (74.6 cm)
Three 15" (38.1 cm) units	45" (114.3 cm)	44 <sup>7</sup> / <sub>16</sub> " (112.9 cm)
Four 15" (38.1 cm) units	60" (152.4 cm)	59 <sup>7</sup> / <sub>16</sub> " (151.0 cm)
30" (76.2 cm) cooktop and one 15" (38.1 cm) unit	45" (114.3 cm)	44 <sup>3</sup> / <sub>8</sub> " (112.7 cm)
30" (76.2 cm) cooktop and two 15" (38.1 cm) units	60" (152.4 cm)	59 <sup>7</sup> / <sub>16</sub> " (151.0 cm)
36" (91.4 cm) cooktop and one 15" (38.1 cm) unit	51" (129.5 cm)	50 <sup>3</sup> / <sub>8</sub> " (128.0 cm)

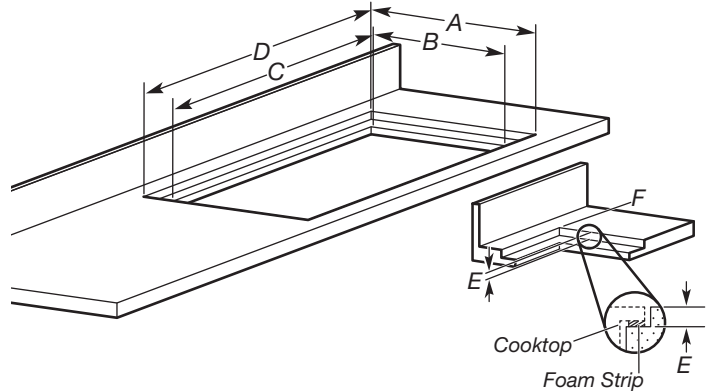
**NOTE:** After making the countertop cutout, some installations may require notching down the base cabinet side walls to clear the cooktop base. To avoid this modification, use a base cabinet with sidewalls wider than the cutout.

If cabinet has a drawer, a 5<sup>1</sup>/<sub>2</sub>" (14.0 cm) depth clearance from the countertop to the top of the drawer (or other obstruction) in base cabinet is required.

## Flush Installation Dimensions

All cooktops can be mounted with a frameless standard installation sitting on top of the countertop surface or flush with the top of the countertop. If the cooktop is to be mounted flush with the countertop, an 11/64"-deep (4.3 mm) recessed area surrounding the cooktop cutout must be provided with the following dimensions.

**NOTE:** This option is not recommended for countertops with a molded backsplash. Do not silicone seal in place.



- A. Recessed area length 21<sup>3</sup>/<sub>16</sub>" (53.8 cm)
- B. Cutout length 20<sup>3</sup>/<sub>8</sub>" (51.8 cm)
- C. See the "Multi-Unit Flush Dimensions" table.
- D. See the "Multi-Unit Flush Dimensions" table.
- E. Recessed area depth 11/64" (4.3 mm)
- F. Recessed area radius 5/64" (2.0 mm) maximum

## Multi-Unit Flush Dimensions

Units	Recessed Area Width (D)	Cutout Width (C)
One 15" (38.1 cm) unit	15 <sup>1</sup> / <sub>8</sub> " (38.4 cm)	14 <sup>3</sup> / <sub>8</sub> " (36.5 cm)
Two 15" (38.1 cm) units	30 <sup>1</sup> / <sub>8</sub> " (76.5 cm)	29 <sup>3</sup> / <sub>8</sub> " (74.6 cm)
Three 15" (38.1 cm) units	45 <sup>1</sup> / <sub>8</sub> " (114.6 cm)	44 <sup>7</sup> / <sub>16</sub> " (112.9 cm)
Four 15" (38.1 cm) units	60 <sup>1</sup> / <sub>8</sub> " (152.7 cm)	59 <sup>7</sup> / <sub>16</sub> " (151.0 cm)
30" (76.2 cm) cooktop and one 15" (38.1 cm) unit	45 <sup>1</sup> / <sub>8</sub> " (114.6 cm)	44 <sup>3</sup> / <sub>8</sub> " (112.7 cm)
30" (76.2 cm) cooktop and two 15" (38.1 cm) units	60 <sup>1</sup> / <sub>8</sub> " (152.7 cm)	59 <sup>7</sup> / <sub>16</sub> " (151.0 cm)
36" (91.4 cm) cooktop and one 15" (38.1 cm) unit	51 <sup>1</sup> / <sub>8</sub> " (129.9 cm)	50 <sup>3</sup> / <sub>8</sub> " (128.0 cm)

**IMPORTANT:** If multiple units are installed side by side, the mounting bridge kit W11031680 is needed for proper installation.

## Electrical Requirements

### **⚠ WARNING**



#### **Electrical Shock Hazard**

**Disconnect power before servicing.**

**Use 8 gauge copper wire.**

**Electrically ground cooktop.**

**Failure to follow these instructions can result in death, fire, or electrical shock.**

If codes permit and a separate ground wire is used, it is recommended that a qualified electrical installer determine that the ground path and wire gauge are in accordance with local codes.

Check with a qualified electrical installer if you are not sure the cooktop is properly grounded.

Make sure that the electrical connection and wire size are adequate and in conformance with the National Electrical Code, ANSI/NFPA 70—latest edition or CSA Standards C22.1—94, Canadian Electrical Code, Part 1 and C22.2 No. O-M91—latest edition, and all local codes and ordinances.

A copy of the above code standards can be obtained from:

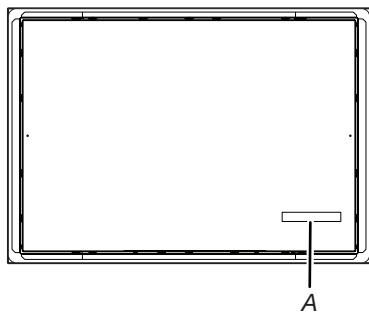
National Fire Protection Association  
1 Batterymarch Park  
Quincy, MA 02169-7471  
CSA International  
8501 East Pleasant Valley Road  
Cleveland, OH 44131-5575

#### **Before You Make the Electrical Connection:**

To properly install your cooktop, you must determine the type of electrical connection you will be using and follow the instructions provided for it here.

- A 3-wire or 4-wire, single phase, 120-/240-volt, 60 Hz, AC-only electrical supply is required on a separate, 15 AMP, 2-pole breaker, 240-/208-volt, 50/60 Hz AC-supply circuit fused on both sides of the line. The model/serial/rating plate is located on the metal cabinet underneath the cooktop. See the following illustration.

**NOTE:** A separate 15-amp circuit fused on both sides of the line can be used for 15 AMP, 2-pole breaker, 240-/208-volt, 50/60 Hz AC-supply.



A. Model/serial/rating plate

- The cooktop is rated 240/208 volts. This model has a neutral (white) wire.

- The cooktop should be connected directly to the junction box through flexible, conduit shielded wire. No alternative is permissible. The flexible, armored cable extending from the fuse box or circuit breaker box should be connected directly to the junction box.
- Locate the junction box to allow as much slack as possible between the junction box and the cooktop so that the cooktop can be moved if servicing becomes necessary in the future.
- Do not cut the conduit. Use the length of conduit provided.
- A UL Listed or CSA Approved conduit connector must be provided at each end of the power supply cable (at the cooktop and at the junction box). A listed conduit connector is already provided at the cooktop.
- If the house has aluminum wiring, follow the procedure below:
  - Connect the aluminum wiring using special connectors and/or tools designed and UL Listed for joining copper to aluminum.
  - Follow the electrical connector manufacturer's recommended procedure. Aluminum/copper connection must conform with local codes and industry accepted wiring practices.

## INSTALLATION INSTRUCTIONS

### Prepare Cooktop for Installation

### **⚠ WARNING**

#### **Excessive Weight Hazard**

**Use two or more people to move and install cooktop.**

**Failure to do so can result in back or other injury.**

Write down the model and serial numbers before installing the cooktop. Both numbers are located on the center underside of the burner box.

Unpack the parts supplied with your cooktop. The parts shipped with the cooktop depend on the model ordered. See the "Tools and Parts" section for a complete list of parts supplied with the cooktop.

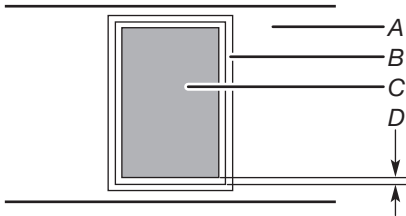
Decide on the final location for the cooktop. Locate existing wiring to avoid drilling into or severing wiring during installation.

1. Remove the foam strip from the hardware package. Remove the backing from the foam strip.

**For countertop installations:** Apply the foam strip with the adhesive side to the countertop within 1/16" (1.6 mm) of the edge of the cutout, front, back, and sides.

**For flush installations:** Apply the foam strip with the adhesive side to the bottom of the cutout recessed area. Save the excess foam strip for use with the mounting bridge kit.

**NOTE:** The foam strip helps keep the underside of the cooktop frame free from debris and helps the cooktop sit flat on uneven countertops. Do not silicone seal in place.



A. Countertop  
B. Foam strip  
C. Cutout  
D. 1/16" (1.6 mm)

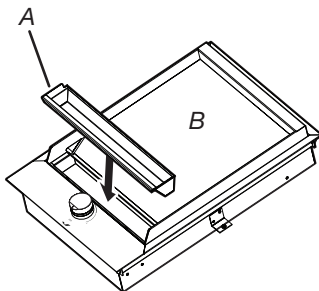
## Install Cooktop

**NOTE:** For multi-unit installations, a mounting bridge kit is required. See the "Tools and Parts" section.

1. Install the cooktop into the countertop cutout by tilting one end of the cooktop into the cutout, then lowering the other end into the cutout.

**NOTE:** Make sure that the front edge of the cooktop is parallel to the front edge of the countertop. If repositioning is needed, lift the entire cooktop up to avoid scratching the countertop.

2. Place drip tray in the well at the front of the griddle. Slide tray toward the back until it stops.



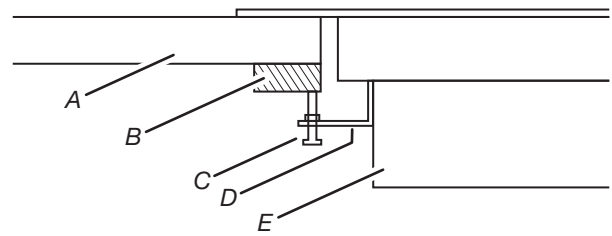
A. Griddle drip tray  
B. Griddle

3. Clean griddle before using. Refer to the Use and Care Guide.

### Install cooktop into countertop

1. Remove the two hold-down screws located in each side of the cooktop burner box.
2. Attach the two hold-down brackets to the burner box.
3. Install the cooktop into the countertop cutout by tilting one end of the cooktop into the cutout, then lowering the other end into the cutout.

4. Start the hold-down screws into the hold-down brackets.



A. Countertop  
B. Wood block  
C. Hold-down screw  
D. Hold-down bracket  
E. Burner box

5. Center the cooktop in the opening and, using a wood block between the screw and the countertop, moderately tighten the screws to secure cooktop.

**IMPORTANT:** Do not tighten screws directly against the countertop.

## Make Electrical Connection

### ⚠ WARNING



#### Electrical Shock Hazard

**Disconnect power before servicing.**

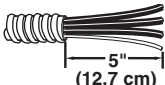
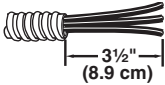
**Use 8 gauge copper wire.**

**Electrically ground cooktop.**

**Failure to follow these instructions can result in death, fire, or electrical shock.**

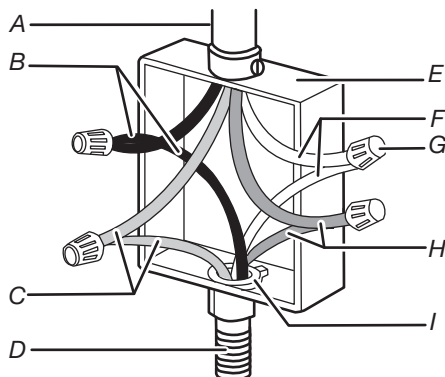
This cooktop is manufactured with a frame-connected green or bare ground wire. Connect the cooktop cable to the junction box through the UL Listed or CSA Approved conduit connector.

### Electrical Connection Options

If Your Home Has:	And You Will Be Connecting to:	Go to Section:
4-wire direct 	A fused disconnect or circuit breaker box	4-Wire Cable from Power Supply to 4-Wire Cable from Cooktop
3-wire direct 	A fused disconnect or circuit breaker box	3-Wire Cable from Power Supply to 4-Wire Cable from Cooktop

## 4-Wire Cable from Power Supply to 4-Wire Cable from Cooktop

**IMPORTANT:** Use the 4-wire cable from power supply where local codes do not permit connecting the frame-ground conductor to the neutral (white) junction box wire.

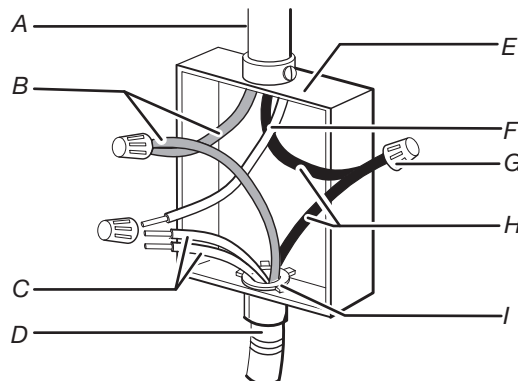


- |                                   |  |
|-----------------------------------|--|
| A. 4-wire cable from power supply | F. White wires                                 |
| B. Black wires                    | G. UL Listed wire connector                    |
| C. Bare or green wires            | H. Red wires                                   |
| D. 4-wire cable from cooktop      | I. UL Listed or CSA Approved conduit connector |
| E. Junction box                   |  |

1. Disconnect power.
2. Remove junction box cover, if present.
3. Connect the flexible cable conduit from the cooktop to the junction box using a UL Listed or CSA Approved connector for 1/2" (1.3 cm) conduit.
4. Tighten screws on conduit connector if present.
5. Connect the two black wires together using the UL Listed wire connectors.
6. Connect the two red wires together using the UL Listed wire connectors.
7. Connect the two white wires together using the UL Listed wire connectors.
8. Connect the green or bare ground wire from the cooktop cable to the green or bare ground wire (in the junction box) using the UL Listed wire connectors.
9. Install junction box cover.
10. Reconnect power.

## 3-Wire Cable from Power Supply to 4-Wire Cable from Cooktop

**IMPORTANT:** Use the 3-wire cable from power supply where local codes permit connecting the frame-ground conductor to the neutral (white) junction box wire:



- |   |  |
|---|--|
| A. 3-wire cable from power supply           | F. White wire (from power supply)              |
| B. Red wires                                | G. UL Listed wire connector                    |
| C. Green or bare ground wire (from cooktop) | H. Black wires                                 |
| D. 4-wire cable from cooktop                | I. UL Listed or CSA Approved conduit connector |
| E. Junction box                             |  |

1. Disconnect power.
2. Remove junction box cover if present.
3. Connect the flexible, cable conduit from the cooktop to the junction box using UL Listed or CSA Approved conduit connector.
4. Tighten screws on conduit connector, if present.
5. Connect the two black wires together using the UL Listed wire connectors.
6. Connect the two red wires together using the UL Listed wire connectors.
7. Connect the green or bare and white cooktop cable wires to the white (neutral) wire in the junction box using the UL Listed wire connectors.
8. Install junction box cover.
9. Reconnect power.

## Complete Installation

1. Check that all parts are now installed. If there is an extra part, go back through the steps to see which step was skipped.
2. Check that you have all your tools.
3. Dispose of/recycle all packaging materials.
4. Use a mild solution of liquid household cleaner and warm water to clean cooktop before use. Dry thoroughly with a soft cloth. For more information, see the "Cooktop Care" section of the Use and Care Guide.
5. Read the "Cooktop Use" section in the cooktop Use and Care Guide.
6. Reconnect power.
7. Test the operation of the cooktop: verify that it heats and the control light illuminates in the Hi, Med, and Lo positions. Turn the knob to OFF when done.

**NOTE:** If the cooktop does not work after turning on the power, check that a circuit breaker has not tripped or a household fuse has not blown. See the "Troubleshooting" section in the Use and Care Guide for further information.

### If You Need Assistance or Service:

Please reference the "Warranty" section of the Use and Care Guide.

# SÉCURITÉ DE LA TABLE DE CUISSON

## **Votre sécurité et celle des autres est très importante.**

Nous donnons de nombreux messages de sécurité importants dans ce manuel et sur votre appareil ménager. Assurez-vous de toujours lire tous les messages de sécurité et de vous y conformer.



Voici le symbole d'alerte de sécurité.

Ce symbole d'alerte de sécurité vous signale les dangers potentiels de décès et de blessures graves à vous et à d'autres.

Tous les messages de sécurité suivront le symbole d'alerte de sécurité et le mot "DANGER" ou "AVERTISSEMENT". Ces mots signifient :

 **DANGER**

**Risque possible de décès ou de blessure grave si vous ne suivez pas immédiatement les instructions.**

 **AVERTISSEMENT**

**Risque possible de décès ou de blessure grave si vous ne suivez pas les instructions.**

Tous les messages de sécurité vous diront quel est le danger potentiel et vous disent comment réduire le risque de blessure et ce qui peut se produire en cas de non-respect des instructions.



# EXIGENCES D'INSTALLATION

## Outillage et pièces

Rassembler les outils et pièces nécessaires avant d'entreprendre l'installation.

### Outils nécessaires

- Mètre-ruban
- Tourne-écrou de 1/4" (6,35 mm)
- Tournevis Phillips n° 2
- Marqueur ou crayon
- Pince
- Tournevis à lame plate

### Pièces fournies

- Rouleau de bandes de mousse
- Brides de fixation (2)
- Vis de fixation de 2 1/2" (6,4 cm) (2)
- Plateau d'égouttement
- Trousse d'étrier de montage : W11031680

### Pièces nécessaires

- Un connecteur homologué UL ou CSA pour conduit d'un diamètre de 1/2" (1,3 cm)
- Connecteurs de fils (homologation UL)

Consulter les codes locaux. Vérifier l'alimentation électrique existante. Voir la section "Spécifications électriques".

Il est recommandé de faire réaliser tous les raccordements électriques par un électricien qualifié agréé.

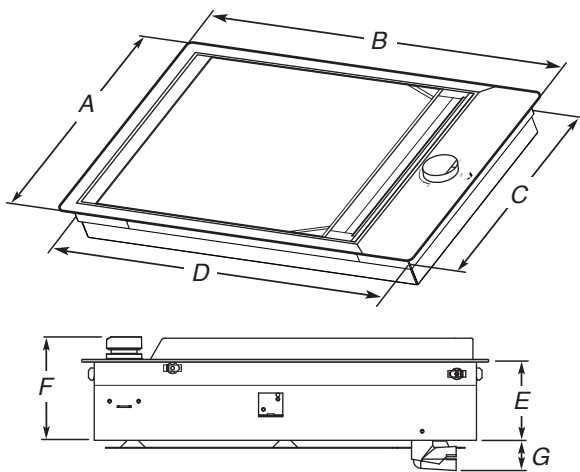
## Exigences d'emplacement

**IMPORTANT** : Observer les dispositions de tous les codes et règlements en vigueur. Lors de l'installation de la table de cuisson, utiliser les dimensions minimales indiquées.

- La table de cuisson doit être une table de cuisson spécifiée, et doit être approuvée pour une installation seule ou sur un four encastré sous comptoir. Vérifier que la base de la table de cuisson comporte une étiquette d'installation approuvée. Si vous ne trouvez pas cette étiquette, contactez votre vendeur pour confirmer que la table de cuisson est bien approuvée.
- La table de cuisson doit être installée dans un plan de travail qui soit d'aplomb.
- Afin de supprimer le risque de brûlures ou d'incendie en se penchant au-dessus des unités de surface chauffées, le rangement en armoire au-dessus des unités de surface doit être évité. Si des armoires de rangement sont prévus, le risque peut être réduit par l'installation d'une hotte de cuisinière ou d'un ensemble hotte/micro-ondes dépassant horizontalement de 5" (12,7 cm) au moins par rapport au bas des armoires.
- Les fours approuvés pour ce type d'installation comportent une étiquette d'approbation située sur le dessus du four. Si vous ne trouvez pas cette étiquette, contactez votre marchand pour confirmer que le four est bien approuvé. Consulter les Instructions d'installation du fabricant du four pour déterminer si l'utilisation en encastrement est approuvée et pour obtenir les dimensions correctes de l'ouverture.
- La table de cuisson doit être installée à l'écart des zones de forts courants d'air, telles que fenêtres, portes et événements ou ventilateurs de chauffage puissants. La table de cuisson doit être installée à un endroit pratique dans la cuisine.
- Utiliser les dimensions d'ouverture du plan de travail qui sont indiquées dans ces Instructions d'installation. Les dimensions données sont les espacements minimaux et fournissent un dégagement de 0" (0 cm).
- Une source d'électricité avec liaison à la terre est nécessaire. Voir la section "Spécifications électriques".

**IMPORTANT** : Afin d'éviter d'endommager les placards, consulter l'installateur ou le fabricant des placards pour déterminer si les matériaux utilisés peuvent subir une décoloration, une déstratification ou d'autres dommages. Cette table de cuisson a été conçue conformément aux exigences des normes UL et CSA International et respecte les températures maximales permises de 194°F (90°C) pour les placards en bois.

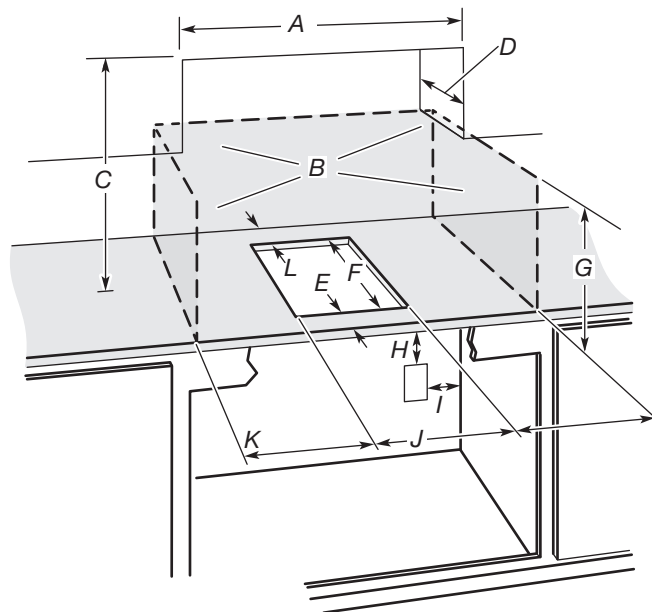
## Dimensions du produit



- |   |  |
|---|--|
| A. 15" (38,1 cm)                                | E. 4 <sup>1</sup> / <sub>4</sub> " (10,8 cm) |
| B. 21" (53,3 cm)                                | F. 5 <sup>1</sup> / <sub>2</sub> " (14,0 cm) |
| C. 14 <sup>19</sup> / <sub>64</sub> " (36,3 cm) | G. 1 <sup>1</sup> / <sub>4</sub> " (3,2 cm)  |
| D. 20 <sup>19</sup> / <sub>64</sub> " (51,5 cm) |  |

## Dimensions du placard

**IMPORTANT :** En cas d'installation d'une hotte ou d'un ensemble hotte/micro-ondes au-dessus de la table de cuisson, suivre les instructions fournies avec la hotte ou l'ensemble hotte/micro-ondes concernant les dimensions de dégagement à respecter au-dessus de la surface de la table de cuisson.



- A. Largeur minimale de placard supérieur. Consulter le tableau "Dimensions—Unités multiples".
- B. Zone de matière combustible au-dessus du plan de travail (espace délimité par des lignes pointillées ci-dessus)
- C. Distance minimale de séparation de 30" (76,2 cm) entre le dessus de la table de cuisson et le fond d'un placard métallique ou de bois non couvert (distance de séparation minimale de 24" [61 cm] si le fond du placard de métal ou de bois est recouvert d'une plaque ignifugée d'au moins 1/4" [0,6 cm], elle-même recouverte d'une feuille métallique d'une épaisseur correspondant à un calibre minimal de 28 pour l'acier, 0,015" [0,04 cm] pour l'acier inoxydable, 0,024" [0,06 cm] pour l'aluminium ou 0,020" [0,05 cm] pour le cuivre)
- D. Profondeur recommandée pour les placards supérieurs : 13" (33 cm)
- E. Distance minimale de 2<sup>5</sup>/<sub>16</sub>" (5,9 cm) avec le bord avant du plan de travail
- F. 20<sup>3</sup>/<sub>8</sub>" (51,8 cm)
- G. Distance de séparation minimale de 18" (45,7 cm) entre le placard supérieur et le plan de travail avec distance minimale de séparation horizontale pour la table de cuisson
- H. Boîtier de connexion ou prise : 7" (17,8 cm) minimum à partir du dessus du plan de travail
- I. Boîtier de connexion ou prise : 9" (23 cm) maximum à partir de la droite du placard
- J. Consulter le tableau "Dimensions—Unités multiples".
- K. 6" (15,2 cm) de dégagement minimum de la paroi latérale
- L. Distance de séparation de 2<sup>5</sup>/<sub>16</sub>" (5,9 cm) ou plus par rapport à une surface de matériau combustible à l'arrière

## Dimensions—Unités multiples

Unités	Largeur du placard supérieur (A)	Largeur de la découpe (J)
Une unité de 15" (38,1 cm)	15" (38,1 cm)	14 <sup>3</sup> / <sub>8</sub> " (36,5 cm)
Deux unités de 15" (38,1 cm)	30" (76,2 cm)	29 <sup>3</sup> / <sub>8</sub> " (74,6 cm)
Trois unités de 15" (38,1 cm)	45" (114,3 cm)	44 <sup>7</sup> / <sub>16</sub> " (112,9 cm)
Quatre unités de 15" (38,1 cm)	60" (152,4 cm)	59 <sup>7</sup> / <sub>16</sub> " (151,0 cm)
Table de cuisson 30" (76,2 cm) et une unité de 15" (38,1 cm)	45" (114,3 cm)	44 <sup>3</sup> / <sub>8</sub> " (112,7 cm)
Table de cuisson 30" (76,2 cm) et deux unités de 15" (38,1 cm)	60" (152,4 cm)	59 <sup>7</sup> / <sub>16</sub> " (151,0 cm)
Table de cuisson 36" (91,4 cm) et une unité de 15" (38,1 cm)	51" (129,5 cm)	50 <sup>3</sup> / <sub>8</sub> " (128,0 cm)

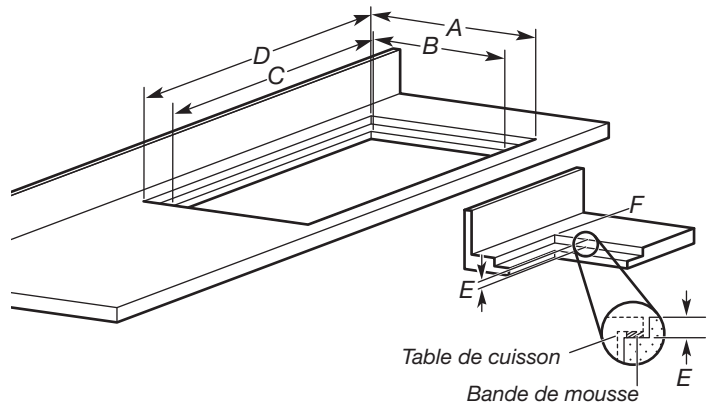
**REMARQUE :** Après le découpage de l'ouverture dans le plan de travail, il est possible que pour certaines configurations d'installation, il soit nécessaire d'entailler les parois latérales du placard inférieur pour permettre le passage de la base de la table de cuisson. Pour éviter cette modification, utiliser un placard inférieur dont la largeur des parois latérales est supérieure à celle de l'ouverture découpée.

Si le placard comporte un tiroir, on devra ménager un dégagement de 5<sup>1</sup>/<sub>2</sub>" (14,0 cm) ou plus entre le plan de travail et le dessus du tiroir (ou autre obstacle) dans le placard inférieur.

## Dimensions pour un panneau en affleurement

Toutes les tables de cuisson peuvent être montées en utilisant une installation standard sans cadre reposant sur la surface du comptoir ou affleurant avec le dessus du comptoir. Si la table de cuisson doit être montée en affleurant le dessus de comptoir, une zone en retrait de 11/64" (4,3 mm) de profondeur entourant la découpe de la table de cuisson doit être fournie selon les dimensions suivantes.

**REMARQUE :** Cette option n'est pas recommandée pour les comptoirs avec dossier moulés. Ne pas sceller en place à l'aide de silicone.



- A. Longueur de la zone en retrait—21<sup>3</sup>/<sub>16</sub>" (53,8 cm)
- B. Longueur de la découpe—20<sup>3</sup>/<sub>8</sub>" (51,8 cm)
- C. Consulter le tableau "Dimensions—Unités multiples affleurantes"
- D. Consulter le tableau "Dimensions—Unités multiples affleurantes"
- E. Profondeur de la zone en retrait 11/64" (4,3 mm)
- F. Rayon de la zone en retrait 5/64" (2,0 mm) maximum

## Dimensions—Unités multiples affleurantes

Unités	Largeur de la zone en retrait (D)	Largeur de la découpe (C)
Une unité de 15" (38,1 cm)	15 <sup>1</sup> / <sub>8</sub> " (38,4 cm)	14 <sup>3</sup> / <sub>8</sub> " (36,5 cm)
Deux unités de 15" (38,1 cm)	30 <sup>1</sup> / <sub>8</sub> " (76,5 cm)	29 <sup>3</sup> / <sub>8</sub> " (74,6 cm)
Trois unités de 15" (38,1 cm)	45 <sup>1</sup> / <sub>8</sub> " (114,6 cm)	44 <sup>7</sup> / <sub>16</sub> " (112,9 cm)
Quatre unités de 15" (38,1 cm)	60 <sup>1</sup> / <sub>8</sub> " (152,7 cm)	59 <sup>7</sup> / <sub>16</sub> " (151,0 cm)
Table de cuisson 30" (76,2 cm) et une unité de 15" (38,1 cm)	45 <sup>1</sup> / <sub>8</sub> " (114,6 cm)	44 <sup>3</sup> / <sub>8</sub> " (112,7 cm)
Table de cuisson 30" (76,2 cm) et deux unités de 15" (38,1 cm)	60 <sup>1</sup> / <sub>8</sub> " (152,7 cm)	59 <sup>7</sup> / <sub>16</sub> " (151,0 cm)
Table de cuisson 36" (91,4 cm) et une unité de 15" (38,1 cm)	51 <sup>1</sup> / <sub>8</sub> " (129,9 cm)	50 <sup>3</sup> / <sub>8</sub> " (128,0 cm)

**IMPORTANT :** Si plusieurs unités sont installées côte à côte, la trousse d'étrier de montage W11031680 est requise pour une installation appropriée.

## Spécifications électriques

### **⚠ AVERTISSEMENT**



#### **Risque de choc électrique**

**Déconnecter la source de courant électrique avant l'entretien.**

**Utiliser du fil en cuivre de calibre 8.**

**Relier la table de cuisson à la terre.**

**Le non-respect de ces instructions peut causer un décès, un incendie ou un choc électrique.**

Si l'on utilise un conducteur distinct de liaison à la terre et lorsque les codes le permettent, il est recommandé qu'un électricien qualifié vérifie que la liaison à la terre et la section des fils sont conformes aux codes locaux.

Vérifier avec un électricien qualifié si vous avez des doutes quant à la qualité de la liaison à la terre de la table de cuisson.

S'assurer que la connexion électrique et le calibre des fils sont appropriés et conformes au National Electrical Code, à la norme ANSI/NFPA 70 – dernière édition, ou à la norme CSA C22.1-94, au Code canadien de l'électricité, Partie 1 et C22.2 N° O-M91 – dernière édition, et à tous les codes et règlements locaux.

Pour obtenir un exemplaire des normes des codes ci-dessus, contacter :

National Fire Protection Association  
1 Batterymarch Park  
Quincy, MA 02169-7471

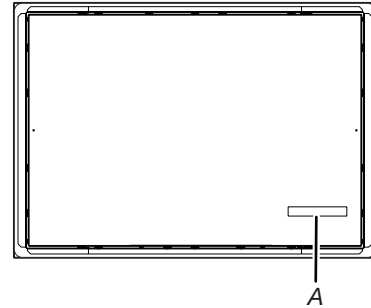
CSA International  
8501 East Pleasant Valley Road  
Cleveland, OH 44131-5575

### **Avant d'établir la connexion électrique :**

Pour installer la table de cuisson correctement, il faut établir le type de raccords électriques que l'on utilisera et suivre les instructions indiquées ici.

- Une alimentation électrique monophasée de 120-/240-V CA seulement, 60 Hz à 3 ou 4 conducteurs est requise sur un circuit séparé avec protection aux deux extrémités de la ligne par disjoncteur de 15 A, 2 pôles, 240-/208-V CA, 50/60 Hz. La plaque signalétique est située sur le placard métallique, sous la table de cuisson. Voir l'illustration suivante.

**REMARQUE :** Un circuit séparé avec protection aux deux extrémités de la ligne par disjoncteur de 15 A, 2 pôles, 240-/208-V CA, 50/60 Hz.



A. Plaque signalétique

- La capacité nominale de la table de cuisson est de 240/208 volts. Ce modèle comporte un conducteur neutre (blanc).
- La table de cuisson doit être raccordée directement au boîtier de connexion par l'intermédiaire d'un câble flexible blindé – aucune autre option n'est possible. Le câble blindé flexible sortant du boîtier de distribution (fusible ou disjoncteur) doit être raccordé directement au boîtier de connexion.
- Placer le boîtier de connexion pour laisser le plus de jeu possible entre celui-ci et la table de cuisson pour pouvoir déplacer la table de cuisson en cas de besoin de réparation à l'avenir.
- Ne pas couper le conduit. Utiliser toute la longueur du conduit fourni.
- Un connecteur de conduit homologué UL ou CSA doit être fourni à chaque extrémité du câble d'alimentation électrique (à la table de cuisson et au boîtier de connexion). Un connecteur de conduit homologué est déjà fourni à la table de cuisson.
- Si le domicile possède un câblage en aluminium, suivre la procédure ci-dessous :
  - Connecter le câblage en aluminium en utilisant des connecteurs ou des outils spécialement conçus et homologués UL pour raccorder le cuivre à l'aluminium.
  - Appliquer la procédure recommandée par le fabricant des connecteurs. Les raccordements aluminium/cuivre doivent satisfaire aux prescriptions des codes locaux et de l'industrie, et être conformes aux pratiques de câblage reconnues.

# INSTRUCTIONS D'INSTALLATION

## Préparation de la table de cuisson pour l'installation

### **AVERTISSEMENT**

**Risque du poids excessif**

**Utiliser deux ou plus de personnes pour déplacer et installer la table de cuisson.**

**Le non-respect de cette instruction peut causer une blessure au dos ou d'autre blessure.**

Inscrire les numéros de modèle et de série avant d'installer la table de cuisson. Les deux numéros sont situés sur la partie inférieure centrale de la boîte des brûleurs.

Déballer les pièces fournies avec la table de cuisson. Les pièces expédiées avec la table de cuisson dépendent du modèle commandé. Voir la section "Outils et pièces" pour une liste complète des pièces fournies avec la table de cuisson.

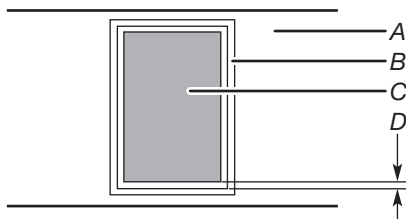
Déterminer l'emplacement final de la table de cuisson. Repérer le câblage existant pour éviter de le percer ou de l'endommager lors de l'installation.

1. Décoller la bande de mousse de la trousse de quincaillerie. Retirer l'endos de la bande de mousse.

**Pour les installations sur le comptoir :** Appliquer le côté adhésif de la bande de mousse sur le plan de travail à 1/16" (1,6 mm) près des bords de l'ouverture (avant, arrière et côtés).

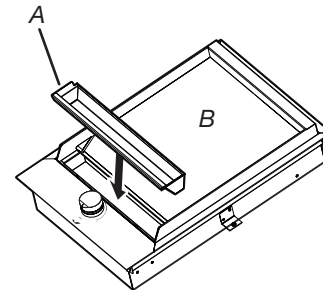
**Pour les installations affleurantes :** Appliquer le côté adhésif de la bande de mousse sur le bas de l'ouverture en retrait. Conserver l'excédent de bande de mousse aux fins d'utilisation avec la trousse d'étrier de montage.

**REMARQUE :** La bande de mousse protège la face inférieure du châssis de la table de cuisson des débris et l'aide à reposer à plat sur des plans de travail irréguliers. Ne pas sceller en place à l'aide de silicone.



A. Plan de travail  
B. Bande de mousse  
C. Ouverture  
D. 1/16" (1,6 mm)

2. Placer le plateau d'égouttement dans la cavité à l'avant de la plaque à frire. Faire glisser le plateau vers l'arrière jusqu'à la position de butée.

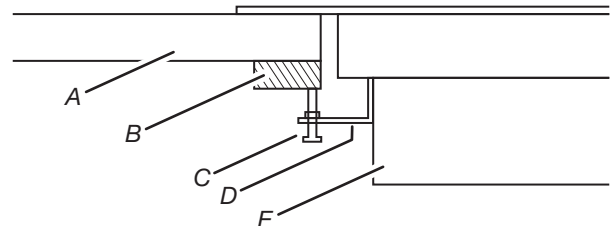


A. Plateau d'égouttement  
B. Plaque à frire

3. Nettoyer la plaque à frire avant de l'utiliser. Consulter le Guide d'utilisation et d'entretien.

### Installation de la table de cuisson à l'intérieur du plan de travail

1. Ôter les deux vis de retenue situées de chaque côté du logement des brûleurs de la table de cuisson.
2. Fixer les deux brides de retenue à la boîte des brûleurs.
3. Installer la table de cuisson dans l'ouverture du plan de travail en inclinant une extrémité de la table de cuisson dans l'ouverture, puis en abaissant l'autre extrémité dans l'ouverture.
4. Engager les vis de retenue dans les brides de retenue.



A. Plan de travail  
B. Cale en bois  
C. Vis de retenue  
D. Brides de retenue  
E. Boîte des brûleurs

5. Centrer la table de cuisson dans l'ouverture et, en utilisant une cale en bois entre la vis et le plan de travail, serrer les vis modérément pour fixer la table de cuisson.

**IMPORTANT :** Ne pas serrer les vis directement contre le plan de travail.

## Installation de la table de cuisson

**REMARQUE :** Dans le cas de l'installation de plusieurs unités, une trousse d'étrier de montage est requise. Voir la section "Outils et pièces".

1. Installer la table de cuisson dans l'ouverture du plan de travail en inclinant une extrémité de la table de cuisson dans l'ouverture, puis en abaissant l'autre extrémité dans l'ouverture.

**REMARQUE :** S'assurer que le bord avant de la table de cuisson est parallèle au bord avant du plan de travail. S'il est nécessaire de repositionner la table de cuisson, la soulever entièrement de l'ouverture pour éviter d'endommager le plan de travail.

## Raccordement électrique

### ⚠ AVERTISSEMENT



#### Risque de choc électrique

**Déconnecter la source de courant électrique avant l'entretien.**

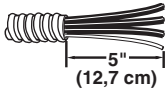
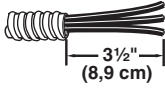
**Utiliser du fil en cuivre de calibre 8.**

**Relier la table de cuisson à la terre.**

**Le non-respect de ces instructions peut causer un décès, un incendie ou un choc électrique.**

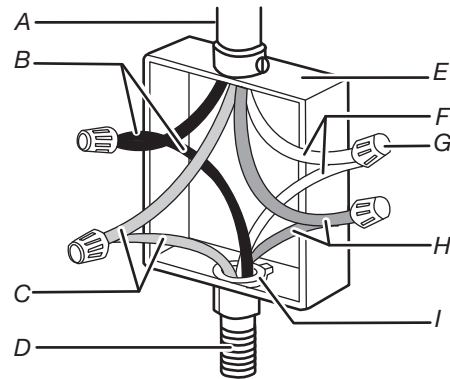
Un conducteur vert ou nu de liaison à la terre est connecté au châssis de la table de cuisson lors de la fabrication. Raccorder le câble de la table de cuisson au boîtier de connexion à l'aide du connecteur de conduit homologué UL ou CSA.

#### Options de raccordement électrique

Si le domicile comporte :	Point de distribution :	Voir la section suivante :
Direct – 4 conducteurs 	Disjoncteur ou coupe-circuit avec fusible	Câble à 4 conducteurs depuis le point de distribution jusqu'au câble à 4 conducteurs depuis la table de cuisson
Direct – 3 conducteurs 	Disjoncteur ou coupe-circuit avec fusible	Câble à 3 conducteurs depuis le point de distribution jusqu'au câble à 4 conducteurs depuis la table de cuisson

### Câble à 4 conducteurs depuis le point de distribution jusqu'au câble à 4 conducteurs depuis la table de cuisson

**IMPORTANT :** Si les codes locaux ne permettent pas le raccordement du conducteur de liaison à la terre au conducteur neutre (blanc) dans le boîtier de connexion, utiliser le câble à 4 conducteurs provenant du point de distribution.

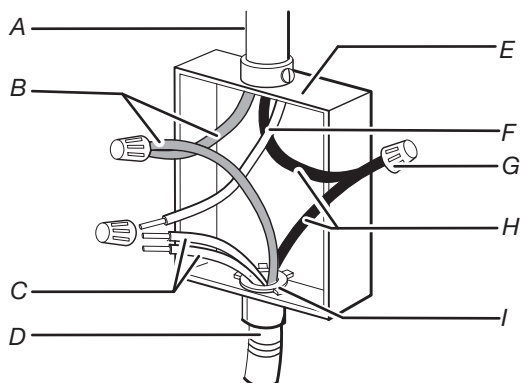


- A. Câble à 4 conducteurs depuis le point de distribution
- B. Conducteurs noirs
- C. Conducteurs verts ou nus
- D. Câble à 4 conducteurs depuis la table de cuisson
- E. Boîtier de connexion
- F. Connecteurs blancs
- G. Connecteur de fils (homologation UL)
- H. Conducteurs rouges
- I. Connecteur de conduit (homologation UL ou CSA)

1. Déconnecter la source de courant électrique.
2. Enlever le couvercle du boîtier de connexion, le cas échéant.
3. Avec le connecteur de conduit (homologation UL ou CSA) pour conduit de 1/2" (1,3 cm), connecter le conduit de câble flexible de la table de cuisson au boîtier de connexion.
4. Serrer les vis du connecteur de conduit, le cas échéant.
5. Connecter ensemble les deux conducteurs noirs avec un connecteur de fils (homologation UL).
6. Connecter ensemble les deux conducteurs rouges avec les connecteurs de fils (homologation UL).
7. Connecter ensemble les deux conducteurs blancs avec les connecteurs de fils (homologation UL).
8. Connecter le conducteur vert ou nu de liaison à la terre du câble de la table de cuisson avec le conducteur vert ou nu de liaison à la terre (dans le boîtier de connexion) avec les connecteurs de fils (homologation UL).
9. Installer le couvercle du boîtier de connexion.
10. Reconnecter la source de courant électrique.

## Câble à 3 conducteurs depuis le point de distribution jusqu'au câble à 4 conducteurs depuis la table de cuisson

**IMPORTANT :** Utiliser le câble à 3 conducteurs depuis le point de distribution lorsque les codes locaux en vigueur permettent le raccordement entre le conducteur de liaison à la terre du châssis et le conducteur neutre (blanc) dans le boîtier de connexion.



- |   |   |
|---|---|
| A. Câble à 3 conducteurs depuis le point de distribution                              | E. Boîtier de connexion                               |
| B. Conducteurs rouges   | F. Conducteur blanc (depuis le point de distribution) |
| C. Conducteurs blanc et vert ou nu de liaison à la terre (depuis la table de cuisson) | G. Connecteur de fils (homologation UL)               |
| D. Câble à 4 conducteurs depuis la table de cuisson                                   | H. Conducteurs noirs                                  |
|   | I. Connecteur de conduit (homologation UL ou CSA)     |

1. Déconnecter la source de courant électrique.
2. Le cas échéant, enlever le couvercle du boîtier de connexion.
3. Connecter le conduit de câble flexible de la table de cuisson au boîtier de connexion avec un connecteur de conduit (homologation UL ou CSA).
4. Serrer les vis du connecteur de conduit, le cas échéant.
5. Connecter ensemble les deux conducteurs noirs avec un connecteur de fils (homologation UL).
6. Connecter ensemble les deux conducteurs rouges avec les connecteurs de fils (homologation UL).
7. Connecter le conducteur vert ou nu et le conducteur blanc de la table de cuisson au conducteur blanc (neutre) dans le boîtier de connexion avec les connecteurs de fils (homologation UL).
8. Installer le couvercle du boîtier de connexion.
9. Reconnecter la source de courant électrique.

## Achever l'installation

1. Vérifier que toutes les pièces sont maintenant installées. S'il reste une pièce, passer en revue les différentes étapes pour découvrir laquelle aurait été oubliée.
2. Vérifier la présence de tous les outils.
3. Éliminer/recycler les matériaux d'emballage.
4. Avant d'utiliser la table de cuisson, utiliser une solution douce de nettoyant domestique et d'eau tiède pour la nettoyer. Sécher parfaitement avec un linge doux. Pour plus de renseignements, voir la section "Entretien de la table de cuisson" du Guide d'utilisation et d'entretien.
5. Lire "Utilisation de la table de cuisson" dans le Guide d'utilisation et d'entretien de la table de cuisson.
6. Reconnecter la source de courant électrique.
7. Vérifier le fonctionnement de la table de cuisson – vérifier qu'elle chauffe et que les témoins s'illuminent aux positions Hi, Med et Lo. Tourner le bouton de commande à OFF (arrêt) une fois terminé.

**REMARQUE :** Si la table de cuisson ne fonctionne pas après la mise sous tension, vérifier que le disjoncteur ne s'est pas déclenché ou que les fusibles ne sont pas grillés. Voir la section "Dépannage" dans le Guide d'utilisation et d'entretien pour plus de renseignements.

### Si vous avez besoin d'assistance ou de service :

Consulter la section "Garantie" du Guide d'utilisation et d'entretien.

