



User Guide

Dual Fuel Range

THANK YOU for purchasing this high-quality product. Register your range at www.jennair.com. In Canada, register your range at www.jennair.ca.

For future reference, please make a note of your product model and serial numbers. These can be found on the label located on the oven frame behind the top-right side of the oven door.

Model Number _____ Serial Number _____

Para una versión de estas instrucciones en español, visite www.jennair.com.

Deberá tener a mano el número de modelo y de serie, que están ubicados en el marco del horno, detrás del lado derecho superior de la puerta del horno.

Table of Contents

RANGE SAFETY	2
The Anti-Tip Bracket	3
KEY USAGE TIPS	5
AquaLift® Self-Cleaning Technology	5
Surface Temperatures	5
Preheating	5
Surface Burners	5
FEATURE GUIDE	6
Electronic Oven Controls	8
COOKTOP	10
Surface Burners	10
Surface Grates	11
Burner Size	11
Griddle	12
Cookware	12
Home Canning	13
OVEN	13
Aluminum Foil	13
Positioning Racks and Bakeware	13
Roll-Out Rack	14
Oven Vent	15
Sabbath Mode	15
Baking and Roasting	15
Broiling	15
Convection Cooking	16
Proofing Bread	16
Favorite	16
Cook Time	17
Baking Drawer	17
Oven Light	17
RANGE CARE	18
Clean Cycle	18
General Cleaning	19
Remove/Replace Drawer	20
TROUBLESHOOTING	21
ACCESSORIES	23
WARRANTY	24

Your safety and the safety of others are very important.

We have provided many important safety messages in this manual and on your appliance. Always read and obey all safety messages.



This is the safety alert symbol.

This symbol alerts you to potential hazards that can kill or hurt you and others.

All safety messages will follow the safety alert symbol and either the word "DANGER" or "WARNING."

These words mean:

⚠ DANGER

You can be killed or seriously injured if you don't immediately follow instructions.

⚠ WARNING

You can be killed or seriously injured if you don't follow instructions.

All safety messages will tell you what the potential hazard is, tell you how to reduce the chance of injury, and tell you what can happen if the instructions are not followed.

WARNING: If the information in this manual is not followed exactly, a fire or explosion may result causing property damage, personal injury or death.

- Do not store or use gasoline or other flammable vapors and liquids in the vicinity of this or any other appliance.
- **WHAT TO DO IF YOU SMELL GAS:**
 - Do not try to light any appliance.
 - Do not touch any electrical switch.
 - Do not use any phone in your building.
 - Immediately call your gas supplier from a neighbor's phone. Follow the gas supplier's instructions.
 - If you cannot reach your gas supplier, call the fire department.
- Installation and service must be performed by a qualified installer, service agency or the gas supplier.

WARNING: Gas leaks cannot always be detected by smell.

Gas suppliers recommend that you use a gas detector approved by UL or CSA.

For more information, contact your gas supplier.

If a gas leak is detected, follow the "What to do if you smell gas" instructions.

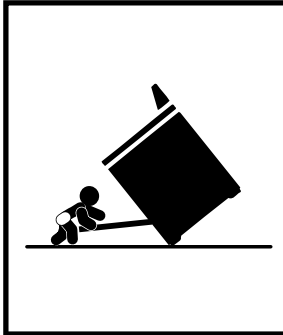
State of California Proposition 65 Warnings:

WARNING: This product contains one or more chemicals known to the State of California to cause cancer.

WARNING: This product contains one or more chemicals known to the State of California to cause birth defects or other reproductive harm.

The Anti-Tip Bracket

The range will not tip during normal use. However, the range can tip if you apply too much force or weight to the open door without having the anti-tip bracket fastened down properly.



⚠ WARNING

Tip Over Hazard

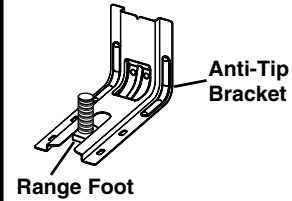
A child or adult can tip the range and be killed.

Verify the anti-tip bracket has been properly installed and engaged per installation instructions.

Re-engage anti-tip bracket if range is moved.

Do not operate range without anti-tip bracket installed and engaged.

Failure to follow these instructions can result in death or serious burns to children and adults.



To verify the anti-tip bracket is installed and engaged:

- Slide range forward.
- Look for the anti-tip bracket securely attached to floor or wall.
- Slide range back so rear range foot is under anti-tip bracket.
- See installation instructions for details.

IMPORTANT SAFETY INSTRUCTIONS

WARNING: To reduce the risk of fire, electrical shock, injury to persons, or damage when using the range, follow basic precautions, including the following:

- **WARNING:** TO REDUCE THE RISK OF TIPPING OF THE RANGE, THE RANGE MUST BE SECURED BY PROPERLY INSTALLED ANTI-TIP DEVICES. TO CHECK IF THE DEVICES ARE INSTALLED PROPERLY, SLIDE RANGE FORWARD, LOOK FOR ANTI-TIP BRACKET SECURELY ATTACHED TO FLOOR OR WALL, AND SLIDE RANGE BACK SO REAR RANGE FOOT IS UNDER ANTI-TIP BRACKET.
 - **WARNING:** NEVER use this appliance as a space heater to heat or warm the room. Doing so may result in carbon monoxide poisoning and overheating of the oven.
 - **WARNING:** NEVER cover any slots, holes or passages in the oven bottom or cover an entire rack with materials such as aluminum foil. Doing so blocks air flow through the oven and may cause carbon monoxide poisoning. Aluminum foil linings may also trap heat, causing a fire hazard.
 - **CAUTION:** Do not store items of interest to children in cabinets above a range or on the backguard of a range – children climbing on the range to reach items could be seriously injured.
 - Do Not Leave Children Alone – Children should not be left alone or unattended in area where the range is in use. They should never be allowed to sit or stand on any part of the range.
 - Wear Proper Apparel – Loose-fitting or hanging garments should never be worn while using the range.
 - User Servicing – Do not repair or replace any part of the range unless specifically recommended in the manual. All other servicing should be referred to a qualified technician.
 - Storage in or on the Range – Flammable materials should not be stored in an oven or near surface units.
 - Do Not Use Water on Grease Fires – Smother fire or flame or use dry chemical or foam-type extinguisher.
 - Use Only Dry Potholders – Moist or damp potholders on hot surfaces may result in burns from steam. Do not let potholder touch hot heating elements. Do not use a towel or other bulky cloth.
 - DO NOT TOUCH SURFACE UNITS OR AREAS NEAR UNITS – Surface units may be hot even though they are dark in color. Areas near surface units may become hot enough to cause burns. During and after use, do not touch, or let clothing or other flammable materials contact surface units or areas near units until they have had sufficient time to cool. Among those areas are the cooktop and surfaces facing the cooktop.
 - Never Leave Surface Units Unattended at High Heat Settings – Boilover causes smoking and greasy spillovers that may ignite.
 - Glazed Cooking Utensils – Only certain types of glass, glass/ceramic, ceramic, earthenware, or other glazed utensils are suitable for range-top service without breaking due to the sudden change in temperature.
 - Utensil Handles Should Be Turned Inward and Not Extend Over Adjacent Surface Units – To reduce the risk of burns, ignition of flammable materials, and spillage due to unintentional contact with the utensil, the handle of a utensil should be positioned so that it is turned inward, and does not extend over adjacent surface units.
 - Clean Cooktop With Caution – If a wet sponge or cloth is used to wipe spills on a hot cooking area, be careful to avoid steam burn. Some cleaners can produce noxious fumes if applied to a hot surface.
 - Use Care When Opening Door – Let hot air or steam escape before removing or replacing food.
 - Do Not Heat Unopened Food Containers – Build-up of pressure may cause container to burst and result in injury.
 - Keep Oven Vent Ducts Unobstructed.
 - Placement of Oven Racks – Always place oven racks in desired location while oven is cool. If rack must be moved while oven is hot, do not let potholder contact hot heating element in oven.
 - DO NOT TOUCH HEATING ELEMENTS OR INTERIOR SURFACES OF OVEN – Heating elements may be hot even though they are dark in color. Interior surfaces of an oven become hot enough to cause burns. During and after use, do not touch, or let clothing or other flammable materials contact heating elements or interior surfaces of oven until they have had sufficient time to cool. Other surfaces of the appliance may become hot enough to cause burns – among these surfaces are oven vent openings and surfaces near these openings, oven doors, and windows of oven doors.
 - Proper Installation – The range, when installed, must be electrically grounded in accordance with local codes or, in the absence of local codes, with the *National Electrical Code, ANSI/NFPA 70*. In Canada, the range must be electrically grounded in accordance with Canadian Electrical Code. Be sure the range is properly installed and grounded by a qualified technician.
 - Disconnect the electrical supply before servicing the appliance.
 - Injuries may result from the misuse of appliance doors or drawers such as stepping, leaning, or sitting on the doors or drawers.
 - Maintenance – Keep range area clear and free from combustible materials, gasoline, and other flammable vapors and liquids.
 - Top burner flame size should be adjusted so it does not extend beyond the edge of the cooking utensil.
- For self-cleaning ranges –**
- Do Not Clean Door Gasket – The door gasket is essential for a good seal. Care should be taken not to rub, damage, or move the gasket.
 - Do Not Use Oven Cleaners – No commercial oven cleaner or oven liner protective coating of any kind should be used in or around any part of the oven.
 - Clean Only Parts Listed in Manual.
 - Before Self-Cleaning the Oven – Remove broiler pan and other utensils. Wipe off all excessive spillage before initiating the cleaning cycle.
- For units with ventilating hood –**
- Clean Ventilating Hoods Frequently – Grease should not be allowed to accumulate on hood or filter.
 - When flambéing foods under the hood, turn the fan on.

SAVE THESE INSTRUCTIONS

Key Usage Tips

AquaLift® Self-Cleaning Technology



AquaLift® Self-Cleaning Technology is a first-of-its-kind cleaning solution designed to minimize the time, temperature, and odors that ordinarily come with traditional self-cleaning methods. With AquaLift® Self-Cleaning Technology, an exclusive coating on the interior of the oven, is activated with heat and water to release baked-on soil. To use AquaLift® Self-Cleaning Technology, simply wipe out loose debris, pour water into the oven bottom, and run the AquaLift® Self-Cleaning cycle. When the cycle finishes in under 1 hour at a lower temperature than in traditional self-cleaning methods, just wipe out the remaining water and loose debris. See the “Clean Cycle” section for more detailed instructions. For additional information, frequently asked questions, and videos on using AquaLift® Self-Cleaning Technology, visit our website at <http://whirlpoolcorp.com/aqualift>.

Surface Temperatures

When the range is in use, all range surfaces may become hot, such as the knobs and oven door.

Baking Drawer

When the oven is in use, the drawer may become hot. Do not store plastics, cloth, or other items that could melt or burn in the drawer.

Oven Vent

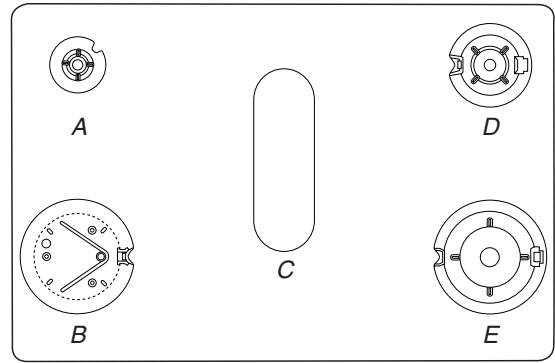
The oven vent releases hot air and moisture from the oven and should not be blocked or covered. Do not set plastics, paper, or other items that could melt or burn near the oven vent.

Preheating

When beginning a Bake, Convection Bake, or Convection Roast cycle, the oven will begin preheating after Start is pressed. The oven will take approximately 12 to 15 minutes to reach 350°F (177°C) with all of the oven racks provided with your oven inside the oven cavity. Higher temperatures will take longer to preheat. The preheat cycle rapidly increases the oven temperature. The actual oven temperature will go above your set temperature to offset the heat lost when your oven door is opened to insert food. This ensures that when you place your food in the oven, the oven will begin at the proper temperature. Insert your food when the preheat tone sounds. Do not open the door during preheat before the tone sounds.

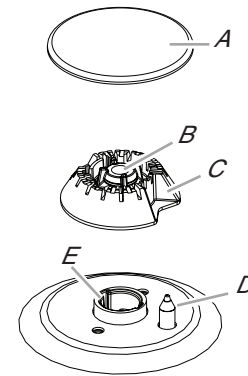
Surface Burners

The burner bases and caps must be properly positioned before cooking. Your range comes with 3 sizes of burners and caps. Each round burner base is marked with a letter indicating the burner size. Align the burner bases as shown in the following illustration:



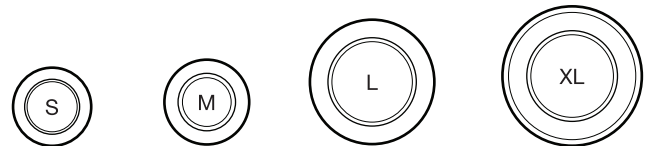
A. Small (S) C. Oval
B. X-Large (XL) D. Medium (M)
E. Large (L)

Align the gas tube opening in the burner base with the orifice holder on the cooktop and the igniter electrode with the notch in the burner base.



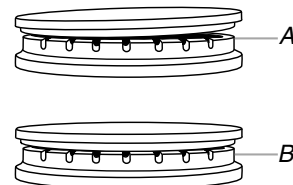
A. Burner cap D. Igniter electrode
B. Gas tube opening E. Orifice holder
C. Burner base

Place the burner caps on the appropriate burner bases. Each round burner cap is marked with a letter indicating the burner size.



Small cap (S) Medium cap (M) Large cap (L) X-Large cap (XL)

Burner caps should be level when properly positioned. If burner caps are not properly positioned, surface burners will not light. The burner cap should not rock or wobble when properly aligned.



A. Incorrect
B. Correct

Feature Guide

This manual covers several models. Your model may have some or all of the items listed. Refer to this manual or the Frequently Asked Questions (FAQs) section of our website at www.jennair.com for more detailed instructions. In Canada, refer to the Customer Service Section at www.jennair.ca.

⚠ WARNING

Food Poisoning Hazard

Do not let food sit for more than one hour before or after cooking.

Doing so can result in food poisoning or sickness.



Keypad	Feature	Instructions
OPTIONS/CLOCK	Clock	The Clock can use a 12- or 24-hour cycle. See the “Electronic Oven Controls” section. <ol style="list-style-type: none"> 1. Press OPTIONS/CLOCK until “CLOCK” is displayed. 2. Use the number keypads to set the time of day. 3. Press START to change the time. 4. Press “3” for AM or “6” for PM.
OPTIONS/CLOCK	Settings	Enables you to personalize the audible tones and oven operation to suit your needs. See the “Electronic Oven Controls” section.
LIGHT	Oven cavity light	The oven light is controlled by a keypad on the oven control panel. While the oven door is closed, press LIGHT to turn the light On and Off. When the oven door is opened, the oven light will automatically come On.
TIMER SET/OFF	Oven timer	The Timer can be set in hours or minutes up to 9 hours and 59 minutes. <ol style="list-style-type: none"> 1. Press TIMER SET/OFF. 2. Press the number keypads to set the length of time in hr-min-min. Leading zeros do not have to be entered. For example, for 2 minutes, enter “2.” 3. Press TIMER SET/OFF to begin the countdown. If enabled, end-of-cycle tones will sound at end of countdown. 4. Press TIMER SET/OFF again to cancel the Timer and return to the time of day. Do not press the Cancel keypad because the oven will turn off. 5. If the Timer is running but not in the display, press TIMER SET/OFF to display the countdown for 5 seconds.
START	Cooking start	The Start keypad begins any oven function. If Start is not pressed within 2 minutes after pressing a keypad, the function is canceled and the time of day is displayed.
CANCEL UPPER CANCEL LOWER	Range function	The Cancel keypad stops any function for the appropriate oven or drawer, except the Clock and Timer.
BAKE (upper and lower)	Baking and roasting	<ol style="list-style-type: none"> 1. Press BAKE for the desired oven. 2. Set the desired temperature between 170°F and 500°F (75°C and 260°C) for the upper oven, or 170°F and 451°F (75°C and 233°C) for the lower oven, using the number keypads. The default temperature is 350°F (180°C). 3. Press START. 4. To change the temperature, repeat steps 2 and 3. 5. Press CANCEL for the desired oven when finished.
BROIL	Broiling	<ol style="list-style-type: none"> 1. Press BROIL. 2. Press the number keypads to set the desired temperature. 3. Press START and allow the oven to preheat for 5 minutes. 4. To change the temperature, repeat steps 2 and 3. 5. Position the cookware in the oven, and then close the door. 6. Press CANCEL UPPER when finished.

Keypad	Feature	Instructions
MANUAL CONVECT MODES	Convection cooking	<ol style="list-style-type: none"> 1. Press MANUAL CONVECT MODES until the desired convection mode appears in the display. 2. Press START. 3. Press the number keypads to set the desired temperature. 4. Press START. 5. Insert food when prompted. 6. To change the temperature, repeat steps 3 and 4. 7. Press CANCEL UPPER when finished.
AUTO CONVECT MODES	Convection cooking	<ol style="list-style-type: none"> 1. Press AUTO CONVECT MODES until the desired convection mode appears in the display. 2. Press START. 3. Press the number keypads to set the desired temperature. 4. Press START. 5. Press the number keypads to set the desired cook time. 6. Press START. 7. Insert food when prompted. 8. To change the temperature, repeat steps 3 through 6. 9. Press CANCEL UPPER when finished.
KEEP WARM (upper and lower oven)	Hold warm	<p>Food must be at serving temperature before placing it in the warmed oven.</p> <ol style="list-style-type: none"> 1. Press KEEP WARM. 2. Set the desired temperature between 145°F and 190°F (63°C and 88°C) using the number keypads. The default temperature is 170°F (75°C). 3. Press START. 4. Press CANCEL UPPER when finished.
PROOF	Proofing bread	<ol style="list-style-type: none"> 1. Place prepared dough in oven. Press PROOF. 2. Press START. Let the dough rise until nearly doubled in size. Proofing time may vary depending on dough type and quantity. 3. Press CANCEL UPPER when finished proofing. Refer to the “Proofing Bread” section for more information.
FAVORITE	Saved favorite	The Favorite keypad stores the oven mode, cook time, and temperature for your favorite recipe. To save or use favorite, see the “Favorite” section.
DELAY START	Delayed start	<p>The Delay Start keypad is used to enter the starting time for an oven function with a delayed start. Delay Start should not be used for foods such as breads and cakes because they may not bake properly.</p> <p>To set a Timed Cook or a Delayed Timed Cook, see the “Cook Time” section.</p>
COOK TIME	Timed cooking	<p>Timed cooking allows the oven to be set to turn on at a certain time of day, cook for a set length of time, and/or shut off automatically.</p> <p>To set a Timed Cook or a Delayed Timed Cook, see the “Cook Time” section.</p>
AQUALIFT SELF CLEAN	Clean cycle	See the “Clean Cycle” section.
START (Hold 3 Sec to Lock)	Oven control lockout	<ol style="list-style-type: none"> 1. Check that the oven is OFF. 2. Press and hold START (Hold 3 Sec to Lock) for 3 seconds. 3. A tone will sound, and “Control Locked” will scroll, and then “Locked” will be displayed. 4. Repeat to unlock. No keypads will function with the controls locked. The cooktop functions are not affected by the oven control lockout.
OPTIONS/CLOCK	Energy save	<ol style="list-style-type: none"> 1. Press OPTIONS/CLOCK until “ENERGY SAVE” is displayed. 2. The current setting will be displayed. 3. Press the “1” keypad to adjust the setting. 4. Press CANCEL to exit and display the time of day. <p>If Energy Save is ON, the range will go into Sleep mode after 5 minutes of inactivity. Any keypad press will activate the display. If Energy Save is OFF, the display will be ON at all times.</p>

Electronic Oven Controls

Control Display

The display will flash when powered up or after a power loss. Press CANCEL UPPER to clear. When the oven is not in use, the time of day is displayed. If the range is in Energy Save mode, the display will be blank when not in use.

Tones

Tones are audible signals, indicating the following:

One Tone

- Valid keypad press
- Oven is preheated (long tone).
- Function has been entered.
- Reminder, repeating each minute after the end-of-cycle tones

Three Tones

- Invalid keypad press

Four Tones

- End-of-cycle

Use the Options/Clock keypad to change the tone settings.

Energy Save

The Energy Save mode puts the range into Sleep mode and reduces energy consumption.

To Activate the Energy Save Mode:

1. Press OPTIONS/CLOCK until "ENERGY SAVE" is displayed.
2. The current setting will be displayed.
3. Press the "1" keypad to adjust the setting.
4. Press CANCEL to exit and display the time of day.
5. The setting will be activated after 5 minutes.

To Deactivate the Energy Save Mode:

1. Press OPTIONS/CLOCK until "ENERGY SAVE" is displayed.
2. The current setting will be displayed.
3. Press the "1" keypad to adjust the setting.
4. Press CANCEL to exit and display the time of day.
5. The clock will reappear in the display and the range can be operated as usual.

Settings

Many features of the oven control can be adjusted to meet your personal needs. These changes are made using the Options/Clock keypad.

Use the Options/Clock keypad to scroll through the features that can be changed. Each press of the Options/Clock keypad will advance the display to the next setting. After selecting the feature to be changed, the control will prompt you for the required input. Then press START or CANCEL UPPER to exit and display the time of day. Details of all of the feature changes are explained in the following sections.

Press CANCEL UPPER to exit Settings.

Clock

The Clock can use a 12- or 24-hour cycle.

1. Press OPTIONS/CLOCK until "CLOCK" is displayed.
2. Use the number keypads to set the time of day.
3. Press START to change the time.
4. Press "3" for AM or "6" for PM.

Fahrenheit and Celsius

The temperature is preset to Fahrenheit but can be changed to Celsius.

1. Press OPTIONS/CLOCK until "TEMP UNIT" is displayed.
2. The current setting will be displayed.
3. Press the "1" keypad to adjust the setting.
4. Press START or CANCEL UPPER to exit and display the time of day.

Audible Tones Disable

Turns off all tones, including the end-of-cycle tone and keypress tones. Reminder tones are still active when all tones are disabled.

1. Press OPTIONS/CLOCK until "SOUND" is displayed.
2. The current setting will be displayed.
3. Press the "1" keypad to adjust the setting.
4. Press START or CANCEL UPPER to exit and display the time of day.

Sound Volume

Sets the volume of the tone to either high or low.

1. Press OPTIONS/CLOCK until "SOUND VOLUME" is displayed.
2. The current setting will be displayed.
3. Press the "1" keypad to adjust the setting.
4. Press START or CANCEL UPPER to exit and display the time of day.

End-of-Cycle Tone

Activates or turns off the tones that sound at the end of a cycle.

1. Press OPTIONS/CLOCK until "END TONE" is displayed.
2. The current setting will be displayed.
3. Press the "1" keypad to adjust the setting.
4. Press START or CANCEL UPPER to exit and display the time of day.

Keypress Tones

Activates or turns off the tones when a keypad is pressed.

1. Press OPTIONS/CLOCK until "KEYPRESS TONE" is displayed.
2. The current setting will be displayed.
3. Press the "1" keypad to adjust the setting.
4. Press START or CANCEL UPPER to exit and display the time of day.

Reminder Tones Disable

Turns off the short repeating tone that sounds every 1 minute after the end-of-cycle tones.

1. Press OPTIONS/CLOCK until "REMINDER TONE" is displayed.
2. The current setting will be displayed.
3. Press the "1" keypad to adjust the setting.
4. Press START or CANCEL UPPER to exit and display the time of day.

12/24 Hour Clock

1. Press OPTIONS/CLOCK until "12/24 HOUR" is displayed.
2. The current setting will be displayed.
3. Press the "1" keypad to adjust the setting.
4. Press START or CANCEL UPPER to exit and display the time of day.

Demo Mode

IMPORTANT: This feature is intended for use on the sales floor with 120 V power connection and permits the control features to be demonstrated without the oven turning on. If this feature is activated, the oven will not work.

1. Press OPTIONS/CLOCK until "DEMO MODE" is displayed.
2. The current setting will be displayed.
3. Press the "1" keypad to adjust the setting.
4. Press START or CANCEL UPPER to exit and display the time of day.

Sabbath Mode

The Sabbath mode sets the oven to remain ON in a bake setting until turned off.

When the Sabbath mode is set, only the Bake cycle will operate. All other cooking and cleaning cycles are disabled. No tones will sound and the displays will not indicate temperature changes.

When the oven door is opened or closed, the oven light will not turn on or off and the heating elements will not turn on or off immediately.

To Enable Sabbath Mode Capability (One Time Only):

1. Press OPTIONS/CLOCK until "SABBATH" is displayed.
2. The current setting will be displayed.
3. Press the "1" keypad to adjust the setting.
4. Press START or CANCEL UPPER to exit and display the time of day.

12-Hour Shutoff

The oven control is set to automatically shut off the oven 12 hours after the oven initiates a cook or clean function. This will not interfere with any timed or delay cook functions.

1. Press OPTIONS/CLOCK until "12Hr AUTO_OFF" is displayed.
2. The current setting will be displayed.
3. Press the "1" keypad to adjust the setting.
4. Press START or CANCEL UPPER to exit and display the time of day.

Languages - Scrolling Display Text

Language options are English, Spanish, and French.

1. Press OPTIONS/CLOCK until "LANGUAGE" is displayed.
2. The current setting will be displayed.
3. Press the "1" or "2" keypad to select the desired language.
4. Press START or CANCEL UPPER to exit and display the time of day.

Oven Temperature Offset Control

IMPORTANT: Do not use a thermometer to measure oven temperature. Elements will cycle on and off as needed to provide consistent temperature but may run slightly hot or cool at any point in time due to this cycling. Most thermometers are slow to react to temperature change and will not provide an accurate reading due to this cycling.

The oven provides accurate temperatures; however, it may cook faster or slower than your previous oven, so the temperature can be adjusted to personalize it for your cooking needs. It can be changed to Fahrenheit or Celsius.

To Adjust Oven Temperature:

1. Press OPTIONS/CLOCK until "TEMP CALIB" is displayed.
2. On some models, press "1" to adjust the drawer temperature calibration. Press START, wait 10 seconds for the display to change, and then continue with Step 3.

OR

- Press START to adjust the oven temperature calibration. Wait 10 seconds for the display to change, and then continue with Step 3.
3. Press the "3" keypad to increase the temperature in 5°F (3°C) increments or press the "6" keypad to decrease the temperature in 5°F (3°C) increments. The offset range is from -30°F to +30°F (-18°C to +18°C).
 4. Press START or CANCEL UPPER to exit and display the time of day.

⚠️ WARNING



Fire Hazard

Do not let the burner flame extend beyond the edge of the pan.

Turn off all controls when not cooking.

Failure to follow these instructions can result in death or fire.

Electric igniters automatically light the surface burners when control knobs are turned to IGNITE.

Before setting a control knob, place filled cookware on the grate. Do not operate a burner using empty cookware or without cookware on the grate.

To Set:

1. Push in and turn knob counterclockwise to IGNITE.
All surface burners will click. Only the burner with the control knob turned to IGNITE will produce a flame.
2. Turn knob to anywhere between HIGH and LOW.

REMEMBER: When range is in use, the entire cooktop area may become hot.

Power Failure

In case of prolonged power failure, the surface burners can be lit manually. Hold a lit match near a burner, and then turn knob counterclockwise to IGNITE. After burner lights, turn knob to desired setting.

Surface Burners

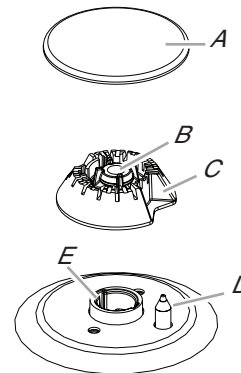
IMPORTANT: Do not obstruct the flow of combustion and ventilation air around the burner grate edges.

Burner cap: Always keep the burner cap in place when using a surface burner. A clean burner cap will help avoid poor ignition and uneven flames. Always clean the burner cap after a spillover, and routinely remove and clean the caps according to the “General Cleaning” section.

NOTE: Each round burner cap is marked with a letter indicating the burner size.

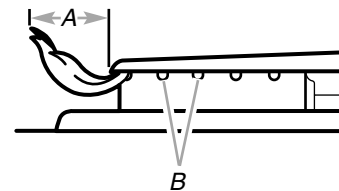
Alignment: Be sure to align the gas tube opening in the burner base with the orifice holder on the cooktop and the igniter electrode with the notch in the burner base.

NOTE: Each round burner base is marked with a letter indicating the burner size.



- A. Burner cap
- B. Gas tube opening
- C. Burner base
- D. Igniter electrode
- E. Orifice holder

Gas Tube Opening: Gas must flow freely throughout the gas tube opening for the burner to light properly. Keep this area free of soil, and do not allow spills, food, cleaning agents or any other material to enter the gas tube opening. Keep spillovers out of the gas tube opening by always using a burner cap.



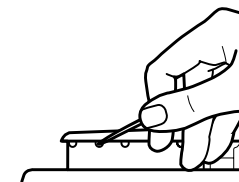
- A. 1 to 1 1/2" (2.5 to 3.8 cm)
- B. Burner ports

Burner Ports: Check burner flames occasionally for proper size and shape as shown in the previous illustration. A good flame is blue in color, not yellow. Keep this area free of soil, and do not allow spills, food, cleaning agents or any other material to enter the burner ports.

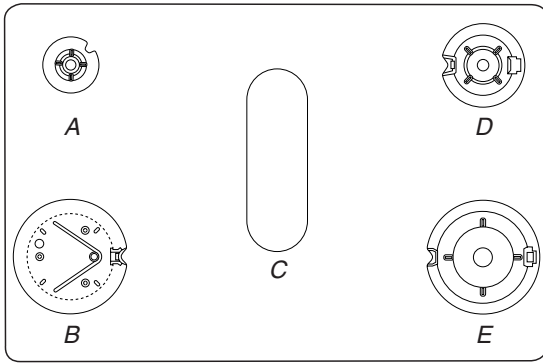
To Clean:

IMPORTANT: Before cleaning, make sure all controls are off and the cooktop is cool. Do not use oven cleaners, bleach or rust removers. Do not wash in the dishwasher.

1. Remove the burner cap and the burner base and clean according to the “General Cleaning” section.
2. Clean the gas tube opening with a damp cloth.
3. Clean clogged burner ports with a straight pin as shown. Do not enlarge or distort the port. Do not use a wooden toothpick. If the burner needs to be adjusted, contact a trained repair specialist.

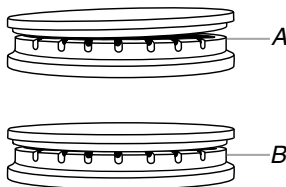


4. Replace the burner base. Each round burner base is marked with a letter indicating the burner size. See the following illustration for burner positions:



A. Small (S) C. Oval D. Medium (M)
 B. X-Large (XL) E. Large (L)

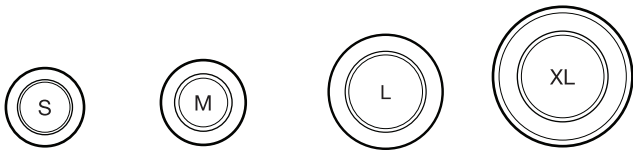
5. Replace the burner cap, making sure it is properly aligned with the burner base. The burner cap should not rock or wobble when properly aligned.



A. Incorrect
 B. Correct

IMPORTANT: The bottom of the small and medium caps are different. Do not put the wrong size burner cap on the burner base.

NOTE: Each round burner cap is marked with a letter indicating the burner size.



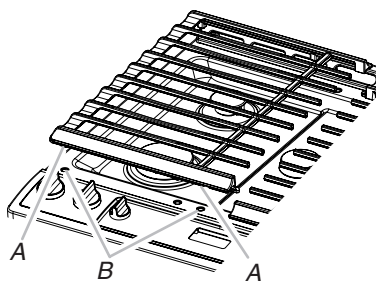
Small cap (S) Medium cap (M) Large cap (L) X-Large cap (XL)

6. Turn on the burner. If the burner does not light, check cap alignment. If the burner still does not light, turn off the burner. Do not service the burner yourself. Contact a trained repair specialist.

Surface Grates

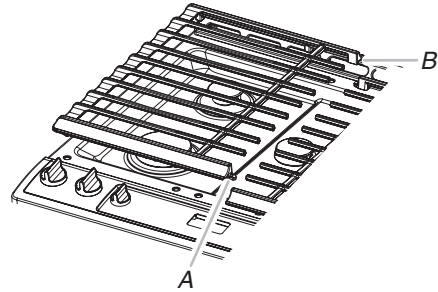
The grates must be properly positioned before cooking. In the proper position, the grates should be flush and level. Improper installation of the grates may result in chipping or scratching of the cooktop.

To ensure proper positioning, align bumpers on grate bottom with the indentations in the cooktop.



A. Bumpers
 B. Alignment indentations

The surface grates interlock using the hooks on the middle grate and the indents on the end grates. To remove the grates, remove the end grates first, and then remove the middle grate. To replace the grates, replace the middle grate first, and then place the end grates on either side.

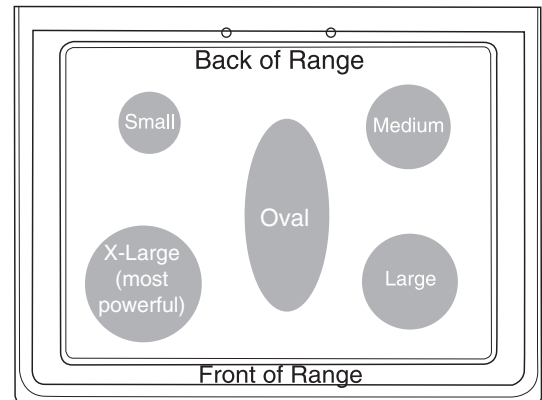


A. Hook
 B. Indent

Although the burner grates are durable, they will gradually lose their shine and/or discolor due to the high temperatures of the gas flame.

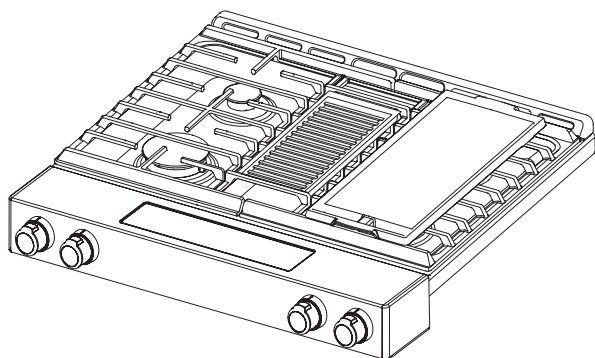
Burner Size

Select a burner that best fits your cookware. See the following illustration and chart.



Burner Size	Recommended Use
Small	<ul style="list-style-type: none"> Low-heat cooking Melting chocolate or butter
Medium	<ul style="list-style-type: none"> Multipurpose burner
Large	<ul style="list-style-type: none"> For large cookware
X-Large (most powerful)	<ul style="list-style-type: none"> For large cookware Most powerful burner

Griddle



Griddle installed on right side of cooktop

To Use the Griddle:

1. Locate the griddle on the right side grate, as shown. The locating feet on the bottom of the griddle will engage the grate tines to keep the griddle from sliding.
2. Before each use, brush on a thin layer of cooking oil to keep food from sticking. Cooking sprays may leave a sticky residue on the griddle that is hard to remove.
3. Preheat the griddle for 5 minutes. Preheating the griddle slowly will ensure even heat distribution and will avoid warping the griddle.
4. For preheating and cooking, set the front burner to the lowest heat setting and the rear burner to medium-high heat for best performance.

NOTE: The griddle may also be used on the left side grate. For best results, the rear burner setting should be set to Medium-Low or Medium, and the front burner setting should be set to Low.

To Clean the Griddle:

1. Let the griddle cool, and then empty the drip tray.
2. See the “General Cleaning” section for cleaning instructions.
3. Store griddle in a cool dry place.

Cookware

IMPORTANT: Do not leave empty cookware on a hot surface cooking area, element or surface burner.

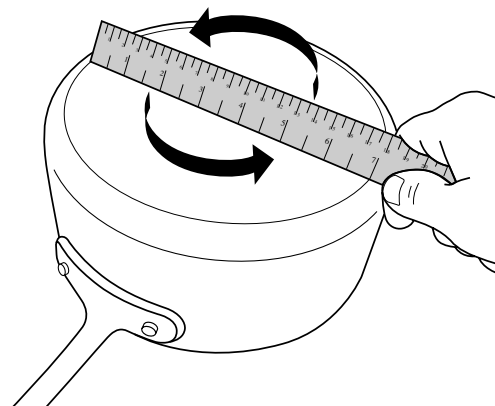
Ideal cookware should have a flat bottom, straight sides and a well-fitting lid, and the material should be of medium-to-heavy thickness.

Rough finishes may scratch the cooktop or coils. Aluminum and copper may be used as a core or base in cookware. However, when used as a base they can leave permanent marks on the surfaces.

Cookware material is a factor in how quickly and evenly heat is transferred, which affects cooking results. A nonstick finish has the same characteristics as its base material. For example, aluminum cookware with a nonstick finish will take on the properties of aluminum.

Cookware with nonstick surfaces should not be used under the broiler.

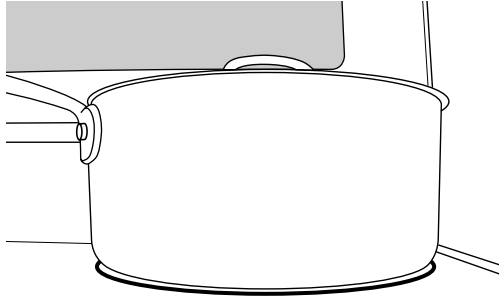
Check for flatness by placing the straight edge of a ruler across the bottom of the cookware. While you rotate the ruler, no space or light should be visible between it and the cookware.



Use the following chart as a guide for cookware material characteristics.

Cookware	Characteristics
Aluminum	<ul style="list-style-type: none"> ■ Heats quickly and evenly. ■ Suitable for all types of cooking. ■ Medium or heavy thickness is best for most cooking tasks. ■ May leave aluminum residues, which may be diminished if cleaned immediately after cooking.
Cast iron	<ul style="list-style-type: none"> ■ Heats slowly and evenly. ■ Good for browning and frying. ■ Maintains heat for slow cooking. ■ Rough edges or burrs may scratch the cooktop.
Ceramic or Ceramic glass	<ul style="list-style-type: none"> ■ Follow manufacturer's instructions. ■ Heats slowly, but unevenly. ■ Ideal results on low to medium heat settings. ■ May scratch the cooktop.
Copper	<ul style="list-style-type: none"> ■ Heats very quickly and evenly. ■ May leave copper residues, which may be diminished if cleaned immediately after cooking. ■ Can leave a permanent stain or bond to the cooktop if overheated.
Earthenware	<ul style="list-style-type: none"> ■ Follow manufacturer's instructions. ■ Use on low heat settings. ■ May scratch the cooktop.
Porcelain enamel-on-steel or cast iron	<ul style="list-style-type: none"> ■ See stainless steel or cast iron. ■ Porcelain enamel bakeware without the metal base may bond to the cooktop if overheated.
Stainless steel	<ul style="list-style-type: none"> ■ Heats quickly, but unevenly. ■ A core or base of aluminum or copper on stainless steel provides even heating.

Use flat-bottomed cookware for best cooking results and energy efficiency. The cookware should be about the same size as the cooking area outlined on the cooktop. Cookware should not extend more than 1/2" (1.3 cm) outside the area.



Home Canning

When canning for long periods, alternate the use of surface burners between batches. This allows time for the most recently used areas to cool.

- Center the canner on the grate above the burner.
- Do not place canner on 2 surface burners at the same time.
- For more information, contact your local agricultural extension office, or refer to published home canning guides. Companies that manufacture home canning products can also offer assistance.

Oven

Odors and smoke are normal when the oven is used the first few times or when it is heavily soiled.

IMPORTANT: The health of some birds is extremely sensitive to the fumes given off by the oven. Exposure to the fumes may result in death to certain birds. Always move birds to another closed and well-ventilated room.

Aluminum Foil

IMPORTANT: To avoid permanent damage to the oven bottom finish, do not line the oven bottom with any type of foil or liner.

For best cooking results, do not cover entire oven rack with foil because air must be able to move freely.

Positioning Racks and Bakeware

IMPORTANT: To avoid permanent damage to the porcelain finish, do not place food or bakeware directly on the oven door or bottom.

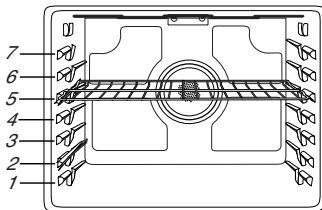
Bakeware

To cook food evenly, hot air must be able to circulate. Allow 2" (5 cm) of space around bakeware and oven walls. Make sure that no bakeware piece is directly over another.

Racks

- Position racks before turning on the oven.
- Do not position racks with bakeware on them.
- Make sure racks are level.

To position a rack, pull it out to the stop position, raise the front edge, and then lift out. Use the following illustration and charts as guides.

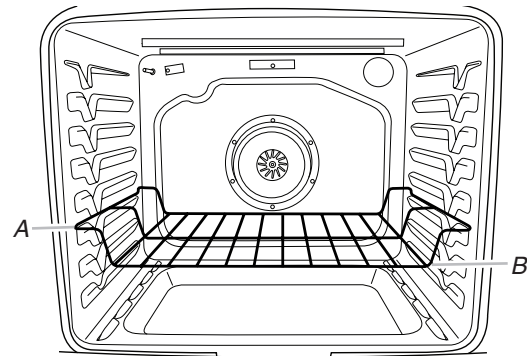


The oven has 7 positions for a flat rack, as shown in the previous illustration and the following table.

Flat Rack Position*	Type of Food
7	Broiling/searing meats, hamburgers, steaks
6	Broiled meats, poultry, fish
3 or 4	Most baked goods, casseroles, frozen foods
2	Roasted meats
1	Large roasts or poultry

For hamburger patties to have a well-seared exterior and a rare interior, use a flat rack in rack position 7. Side 1 should cook for approximately 2 1/2 to 3 1/2 minutes. Side 2 should cook for approximately 4 to 5 minutes. Expect a moderate degree of smoke when broiling.

* If your model has a Max Capacity Oven Rack, the recessed ends must be placed in the rack position above the desired position of the food. See the following illustration.



A. Ends of rack in position 3
B. Food in position 2

IMPORTANT: These rack positions are for flat racks. If a Max Capacity Oven Rack is used, the rack position must be adjusted as shown in the previous figure.

Multiple Rack Cooking

2-rack (non-convection): Use rack positions 2 and 5 or 3 and 6.

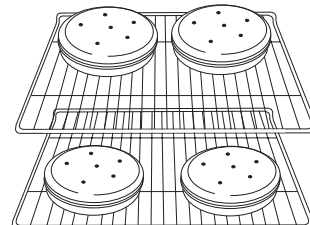
2-rack (convection): Use rack positions 2 and 5 or 3 and 6.

3-rack (convection): Use rack positions 2 and 7 and a Max Capacity Oven Rack in rack position 5.

Baking Cookies and Layer Cakes on 2 Racks

Baking Layer Cakes

For best results when baking cakes on 2 racks, use the Bake function, a flat rack in rack position 3 and a roll-out rack in rack position 5. Place the cakes on the racks as shown. Keep at least 3" (7.6 cm) of space between the front of the racks and the front of the oven.



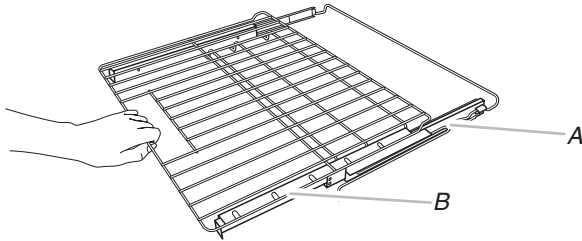
Baking Cookies

For best results when baking cookies on 2 racks, use the Convection Bake function, a flat rack in rack position 3 and a roll-out rack in rack position 4.

Roll-Out Rack

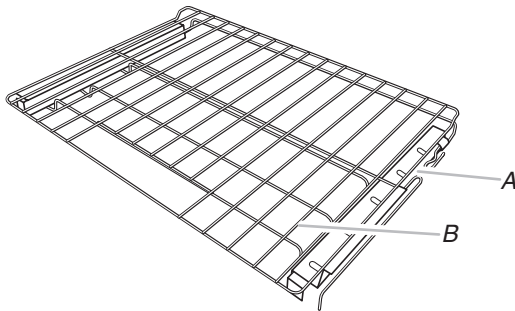
The roll-out rack allows easy access to position and remove food in the oven. It is not recommended to use the roll-out rack in the top rack, position 7, or the bottom rack, position 1.

Open Position



A. Rack frame
B. Sliding rack

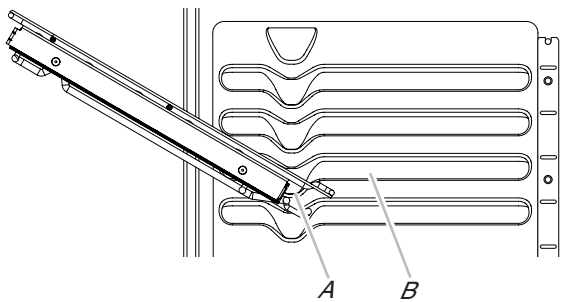
Closed and Engaged Position



A. Rack frame
B. Sliding rack

To Insert Roll-Out Rack

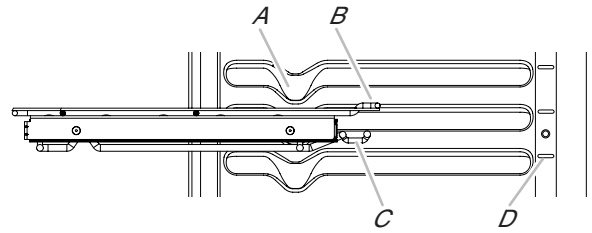
1. Angle the front of the rack assembly up, and then insert the rack frame into the "V" cutout in the rack guides of the oven cavity.



A. "V" cutout
B. Rack guides

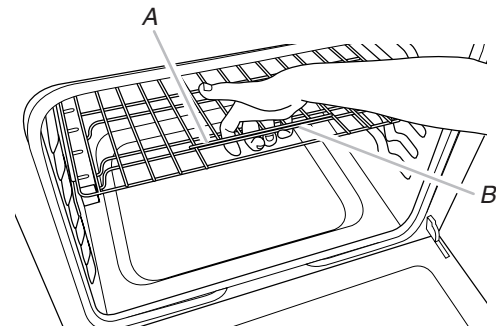
2. Keep rack assembly lifted up at an angle, and then push in to bypass the lower "V" cutout.

3. Lower the front of the rack assembly, and then gently slide rack assembly into oven, bypassing the "V" cutouts. Push the rack assembly into the oven until it stops at the ladder in the back of the oven.



A. "V" cutout
B. Rack guides
C. Ladder hook
D. Ladder

4. Reach through the rack to hold the sliding rack and the front crossbar. Lift the front of the rack assembly, and then push the rack assembly to the back of the oven. Lower the front of the rack assembly so the ladder hook engages with the ladder on both sides of the oven.



A. Sliding rack
B. Front crossbar

To Remove Roll-Out Rack

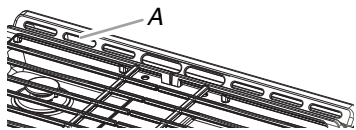
1. Push the sliding rack in completely so that it is in the closed and engaged position.
2. Reach through the rack to hold the sliding rack and the front crossbar. Lift the front of the rack assembly to disengage the ladder hook from the ladders at the rear of the oven, and then pull the rack assembly forward.
3. Using 2 hands, gently pull the sliding rack and the rack frame at the same time to the "V" cutout. Angle the rack so that the front is higher than the back, and then gently pull rack past "V" cutout and then out of the oven.

To avoid damage to the sliding rack, do not place more than 25 lbs (11.4 kg) on the rack.

Do not clean the roll-out rack in a dishwasher. It may remove the rack's lubricant and affect its ability to slide.

See the "General Cleaning" section for more information.

Oven Vent



A. Oven vent

The oven vent releases hot air and moisture from the oven and should not be blocked or covered. Blocking or covering the vent will cause poor air circulation, affecting cooking and cleaning results. Do not set plastics, paper, or other items that could melt or burn near the oven vent.

Sabbath Mode

The Sabbath mode sets the oven to remain on in a bake setting until turned off.

When the Sabbath mode is set, only the Bake cycle will operate. All other cooking and cleaning cycles are disabled. No tones will sound and the displays will not indicate temperature changes.

When the oven door is opened or closed, the oven light will not turn on or off and the heating elements will not turn on or off immediately.

To Enable Sabbath Mode Capability (One Time Only):

1. Press **OPTIONS/CLOCK** until “SABBATH” is displayed. “OFF. Press (1) for On” will scroll in the display.
2. Press the “1” keypad. “ON. Press (1) for Off” will scroll in the display. Sabbath mode can be activated for baking.
3. Press **START** or **CANCEL UPPER** to exit and display the time of day.

NOTE: To disable the Sabbath mode, repeat steps 1 through 3 to change the status from “SABBATH ON” to “SABBATH OFF.”

To Activate Sabbath Mode:

1. Press **BAKE** for the desired oven.
2. Press the number keypad to set a temperature other than 350°F (177°C).
3. Press **START**.
For timed cooking in Sabbath mode, press **COOK TIME** and then the number keypads to set the desired cook time.
4. Press **OPTIONS/CLOCK**. Three tones will sound. Then press “7.” “SAb” will appear in the display.

To Adjust Temperature (When Sabbath Mode Is Running):

1. Press the number keypad as instructed by the scrolling text to select the new temperature.
NOTE: The temperature adjustment will not appear on the display. The scrolling text will be shown on the display as it was before the keypad was pressed.
2. Press **START**.

To Deactivate Sabbath Mode:

Press **OPTIONS/CLOCK**, and then press “7” to return to regular baking, or press **CANCEL** for the desired oven to turn off the range.

NOTE: No tones will sound while deactivating Sabbath mode.

Baking and Roasting

Preheating

When beginning a Bake, Convection Bake, or Convection Roast cycle, the oven will begin preheating after Start is pressed. The oven will take approximately 12 to 15 minutes to reach 350°F (177°C) with all of the oven racks provided with your oven inside the oven cavity. Higher temperatures will take longer to preheat. The preheat cycle rapidly increases the oven temperature. The actual oven temperature will go above your set temperature to offset the heat lost when your oven door is opened to insert food. This ensures that when you place your food in the oven, the oven will begin at the proper temperature. Insert your food when the preheat tone sounds. Do not open the door during preheat before the tone sounds.

Oven Temperature

While in use, the oven elements will cycle on and off as needed to maintain a consistent temperature, but they may run slightly hot or cool at any point in time due to this cycling. Opening the oven door while in use will release the hot air and cool the oven which could impact the cooking time and performance. It is recommended to use the oven light to monitor cooking progress.

NOTE: On models with convection, the convection fan may run in the non-convection Bake mode to improve oven performance.

Temperature Management System

The Temperature Management System electronically regulates the oven heat levels during preheat and Bake to maintain a precise temperature range for optimal cooking results. The bake and broil elements or burners cycle on and off in intervals. On convection range models, the fan will run while preheating and may be cycled on and off for short intervals during Bake to provide the best results. This feature is automatically activated when the oven is in use.

Before baking and roasting, position racks according to the “Positioning Racks and Bakeware” section. When roasting, it is not necessary to wait for the oven preheat cycle to end before putting food in, unless it is recommended in the recipe.

Broiling

When broiling, preheat the oven for 2 minutes before putting food in, unless recommended otherwise in the recipe. Position food on grid in a broiler pan, and then place it in the center of the oven rack.

IMPORTANT: Close the door to ensure proper broiling temperature.

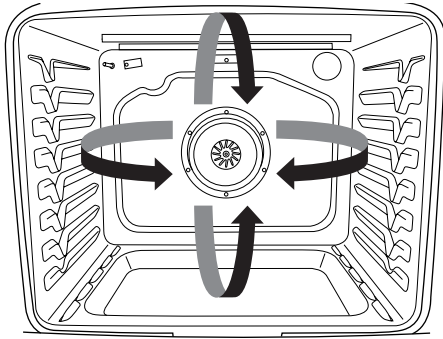
Changing the temperature when broiling allows more precise control when cooking. The lower the broil setting is, the slower the cooking. Thicker cuts and unevenly shaped pieces of meat, fish, and poultry may cook better at lower broil settings. Use rack 6 or 7 for broiling. Refer to the “Positioning Racks and Bakeware” section for more information.

On lower settings, the broil element will cycle on and off to maintain the proper temperature.

- For best results, use a broiler pan and grid. It is designed to drain juices and help avoid spatter and smoke.
If you would like to purchase a broiler pan, one may be ordered. See the “Accessories” section.

Convection Cooking

In a convection oven, the fan-circulated hot air continually distributes heat more evenly than the natural movement of air in a standard thermal oven. This movement of hot air helps maintain a consistent temperature throughout the oven, cooking foods more evenly, crisping surfaces while sealing in moisture and yielding crustier breads.



During convection baking or roasting, the bake, broil, and convection elements cycle on and off in intervals while the fan circulates the hot air. During convection broiling, the broil and convection elements cycle on and off.

If the oven door is opened during convection cooking, the fan will turn off immediately. It will come back on when the oven door is closed.

With convection cooking, most foods can be cooked at a lower temperature and/or a shorter cooking time than in a standard thermal oven. When using Manual Convection Modes, reduce the time and temperature when setting the oven. Use the following chart as a guide.

Convection Mode	Time/Temperature Guidelines
Convection Bake	25°F (15°C) lower temperature, possible shortened cooking time
Convection Roast	Cooking time shortened by up to 30%
Convection Broil	Shortened cooking time

When using Auto Convection Modes, the oven will automatically adjust the time and temperature for the selected mode.

Convection Modes

Manual Convection Modes:

Convection Bake - multiple-rack baking or cookies, biscuits, breads, casseroles, tarts, tortes, cakes

Convection Roast - whole chicken or turkey, vegetables, pork roasts, beef roasts

Convection Broil - thicker cuts or unevenly shaped pieces of meat, fish, or poultry

Auto Convection Modes:

Meats - Chicken: whole and pieces; meat loaf; roasts: pork, beef, ham

Baked Goods - Biscuits, quick breads, yeast breads, cakes, cookies, casseroles

Others - Frozen convenience foods: french fries, nuggets, fish sticks, lasagna, pizza

Proofing Bread

Proofing bread prepares the dough for baking by activating the yeast. Follow the recipe directions as a guide. Proof should be used for fresh dough, thawed dough, and for the first and second rise.

To Proof:

Before first proofing, place the dough in a lightly greased bowl and cover loosely with wax paper, coated with shortening. Place on rack guide 2 and close the oven door.

NOTE: If the temperature of the oven is greater than 120°F (49°C), "Oven Cooling" will be displayed until the temperature is less than 120°F (49°C).

1. Press PROOF.
2. Press START.

Let the dough rise until nearly doubled in size. Proofing time may vary depending on dough type and quantity.

3. Press CANCEL UPPER when finished proofing.

Before second proofing, shape the dough, place it in baking pan(s), and cover loosely. Follow the same placement and control steps above. Before baking, remove the cover.

NOTE: If the oven temperature is greater than 120°F (49°C), the display will indicate "Oven Cooling" until the temperature is below 120°F (49°C).

Favorite

Favorite stores the oven mode and temperature for your favorite recipe. Favorite can only be stored for the upper oven.

To Save a Recipe:

1. While the oven is being used for Bake, Broil, Convection Bake, Convection Roast or Convection Broil, press and hold FAVORITE for 3 seconds.
2. The current oven mode, cook time and temperature will be displayed. "SAVED" will be displayed. The recipe has been saved.

NOTE: Only one recipe can be saved at a time. Saving a new recipe will overwrite a previously saved recipe.

To Select the Favorite Recipe:

1. Press FAVORITE. The saved oven mode and temperature will be displayed.
NOTE: Favorite does not store cook times.
2. Press START.
3. Once the recipe is selected, oven will begin preheating to the set program.
4. To change the temperature, press the number keypads to set the desired temperature.
5. Press START.
6. To change the cook time, press COOK TIME.
7. Press the number keypads to set the desired cook time.
8. Press START.
9. Press CANCEL when finished cooking.

Cook Time

⚠ WARNING

Food Poisoning Hazard

Do not let food sit in oven more than one hour before or after cooking.

Doing so can result in food poisoning or sickness.

To Set a Timed Cook:

1. Press BAKE or BROIL, or press AUTO CONVECT MODES or MANUAL CONVECT MODES until the desired convection mode appears on the display.
2. Press the number keypads to enter a temperature other than the one displayed.
3. Press COOK TIME. The Cook Time oven indicator light will light up.
4. Press the number keypads to enter the length of time to cook.
5. Press START. The display will count down the time. When the time ends, the oven will shut off automatically.
6. Press CANCEL for the desired oven to clear the display.

To Set a Delayed Timed Cook:

1. Press BAKE or BROIL, or press AUTO CONVECT MODES or MANUAL CONVECT MODES until the desired convection mode appears on the display.
2. Press the number keypads to enter a temperature other than the one displayed.
3. Press COOK TIME. The Cook Time oven indicator light will light up.
4. Press number keypads to enter the length of time to cook.
5. Press DELAY START.
6. Press number keypads to enter the number of hours and/or minutes you want to delay the start time.
7. Press START.

When the start time is reached, the oven will automatically turn on. The temperature and/or time settings can be changed anytime after the oven turns on by repeating steps 2 through 4. When the set cook time ends, the oven will shut off automatically.

8. Press CANCEL for the desired oven to clear the display.

Baking Drawer

⚠ WARNING

Food Poisoning Hazard

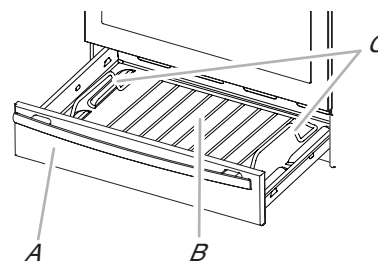
Do not let food sit in oven more than one hour before or after cooking.

Doing so can result in food poisoning or sickness.

The baking drawer is highly recommended for baking frozen foods. Use the temperature and medium cook time given on the frozen food packaging. For example, if the packaging suggests a cook time of 15 to 20 minutes, set the cook time for 17 minutes. Check food for doneness before removing from the baking drawer.

The baking drawer may also be used for conventional baking, slow cooking, and keeping hot cooked foods warm. It is not recommended to prepare foods taller than the height of the baking drawer rack handles or foods that may rise above 2¹/₂" (6.4 cm) in the baking drawer.

IMPORTANT: Always use the baking drawer rack when using the baking drawer.



A. Baking drawer
B. Baking drawer rack
C. Baking drawer rack handles

See the "General Cleaning" section for more information.

To Bake with the Baking Drawer:

1. Press LOWER OVEN BAKE.
2. Set the desired temperature between 170°F and 451°F (75°C and 233°C) using the number keypads. The default temperature is 350°F (180°C).
3. Press START.
4. To change the temperature, repeat steps 2 and 3.
5. Press CANCEL LOWER when finished.
6. Remove food from the drawer.

To Keep Warm with the Baking Drawer:

Food must be at serving temperature before placing it in the warmed drawer.

1. Place food in the baking drawer.
2. Press LOWER OVEN KEEP WARM.
3. Set the desired temperature between 145°F and 190°F (63°C and 88°C) using the number keypads. The default temperature is 170°F (75°C).
4. Press START.
5. Press CANCEL LOWER when finished.
6. Remove food from the baking drawer.

Oven Light

The oven light is a standard 40-watt appliance bulb. Before replacing, make sure the oven and cooktop are cool and the control knobs are in the Off position.

To Replace:

1. Unplug range or disconnect power.
2. Turn the glass bulb cover in the back of the oven counterclockwise to remove.
3. Turn bulb counterclockwise to remove from socket.
4. Replace bulb by turning clockwise.
5. Replace bulb cover by turning clockwise.
6. Plug in range or reconnect power.

Clean Cycle

AquaLift®

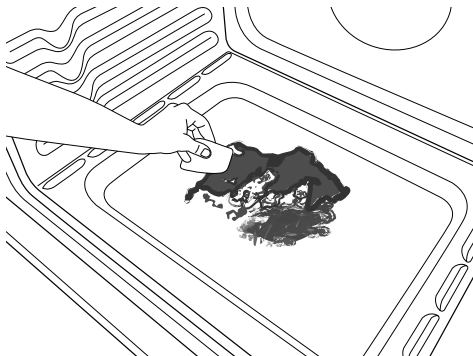
Self-Cleaning Technology

AquaLift® Technology is an innovative cleaning solution that utilizes heat and water to release baked-on spills from the oven in less than 1 hour. This new cleaning technology is a low-heat, odor-free alternative to traditional self-cleaning options.

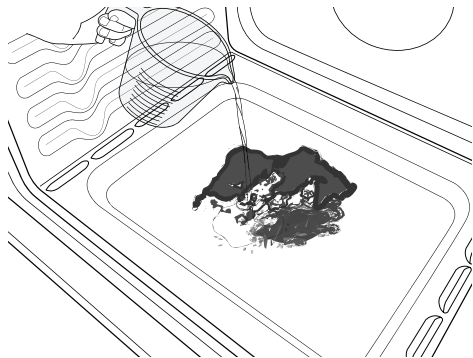
Allow the oven to cool to room temperature before using the Clean cycle. If your oven cavity is above 200°F (93°C), “Oven Cooling” will appear in the display and the Clean cycle will not be activated until the oven cavity cools down.

To Clean:

1. Remove all racks and accessories from the oven cavity and wipe excess soil. Use a plastic scraper to remove easily removed soils.



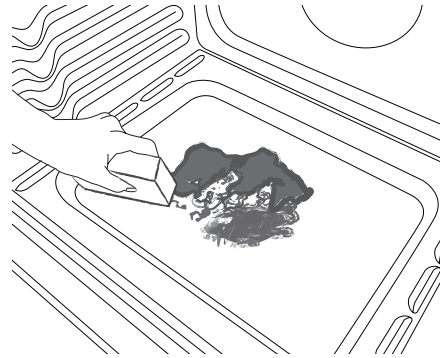
2. Pour 2 cups (16 oz [500 mL]) of distilled or filtered water onto the bottom of the empty oven and close the oven door.



IMPORTANT: Do not use chemicals or other additives with the water. Do not open the oven door during the Clean cycle. The water on the oven bottom is hot.

3. Press AQUALIFT SELF CLEAN and then START on the oven control panel.
4. Allow 40 minutes for cleaning and cooldown. A beep will sound when the Self-Cleaning cycle is complete.
5. Press CANCEL UPPER at the end of the cycle. Cancel Upper may be pressed at any time to stop the Clean cycle.

6. Remove the residual water and loosened soils with a sponge or cloth immediately after the Clean cycle is complete. Much of the initial 2 cups (16 oz [500 mL]) of water will remain in the oven after the cycle is completed. If additional soils remain, leave a small amount of water in the oven bottom to assist with the cleaning.



7. If any soils remain, remove them with a non-scratch scrubbing sponge or plastic scraper. Additional Clean cycles may be run to help remove the stubborn soils.

IMPORTANT: Do not use oven cleaners. The use of chemicals, including commercial oven cleaners or metal scouring pads, may cause permanent damage to the porcelain surface of the oven interior.

NOTES:

- The range should be level to ensure that the entire surface of the bottom of the oven cavity is covered by water at the beginning of the Clean cycle.
- For best results, use distilled or filtered water. Tap water may leave mineral deposits on the oven bottom.
- Before removing the residual water and loosened soils at the end of the Clean cycle, insert a cloth or paper towel between the lower edge of the oven door and the front frame to keep water from spilling onto the front of the range and the floor.
- Soil baked on through several cooking cycles will be more difficult to remove with the Clean cycle.
- Nonabrasive scrub sponges or eraser-style cleaning pads (without cleaners) can be effective for cleaning the oven cavity walls, oven door, and oven bottom for difficult soils. For best results, moisten the pads and sponges before use.
- Run an additional Clean cycle for stubborn soils.
- affresh® Kitchen Appliance Cleaner and affresh® Cooktop Cleaner may be used to clean the oven bottom, walls, and door when the oven has finished the cycle and returned to room temperature. If affresh® Cooktop Cleaner is used, it is recommended to wipe out the cavity with distilled water as well. Refer to the “Accessories” section for information on ordering.
- Additional AquaLift® Technology Cleaning Kits may be obtained by ordering Part Number W10423113RP. See the “Accessories” section for more information.
- For assistance with AquaLift® Technology, call 1-877-258-0808 in the U.S.A. or 1-800-807-6777 in Canada, or visit our website at <http://whirlpoolcorp.com/aqualift>.

General Cleaning

IMPORTANT: Before cleaning, make sure all controls are off and the oven and cooktop are cool. Always follow label instructions on cleaning products. For additional information, you can visit the Frequently Asked Questions (FAQs) section of our website at www.jennair.com. In Canada, reference the Customer Service section at www.jennair.ca.

Soap, water, and a soft cloth or sponge are suggested first, unless otherwise noted.

EXTERIOR PORCELAIN ENAMEL SURFACES (on some models)

Food spills containing acids, such as vinegar and tomato, should be cleaned as soon as the entire range is cool. These spills may affect the finish.

Cleaning Method:

- Glass cleaner, mild liquid cleaner, or nonabrasive scrubbing pad:
Gently clean around the model/serial/rating plate because scrubbing may remove numbers.
- affresh® Kitchen and Appliance Cleaner Part Number W10355010 (not included):
See the “Accessories” section for more information.

STAINLESS STEEL (on some models)

NOTE: To avoid damage to stainless steel surfaces, do not use soap-filled scouring pads, abrasive cleaners, Cooktop Cleaner, steel-wool pads, gritty washcloths or abrasive paper towels. Damage may occur to stainless steel surfaces, even with one-time or limited use.

Cleaning Method:

Rub in direction of grain to avoid damaging.

- affresh® Stainless Steel Cleaner Part Number W10355016 (not included):
See the “Accessories” section for more information.

METALLIC PAINT (on some models)

Do not use abrasive cleaners, cleaners with bleach, rust removers, ammonia or sodium hydroxide (lye) because paint surface may stain.

PORCELAIN-COATED GRATES AND CAPS

Food spills containing acids, such as vinegar and tomato, should be cleaned as soon as the cooktop, grates and caps are cool. These spills may affect the finish.

To avoid chipping, do not bang grates and caps against each other or hard surfaces such as cast iron cookware.

Do not reassemble caps on burners while wet.

Cleaning Method:

- Nonabrasive plastic scrubbing pad and mildly abrasive cleanser:
Clean as soon as cooktop, grates and caps are cool.
- Dishwasher (grates only, not caps):
Use the most aggressive cycle. Cooked-on soils should be soaked or scrubbed before going into a dishwasher.
Although the burner grates are durable, they may lose their shine and/or discolor when washed in a dishwasher.
- Gas Grate and Drip Pan Cleaner Part Number 31617 (not included):
See the “Accessories” section for more information.

SURFACE BURNERS

Food spills containing acids, such as vinegar and tomato, should be cleaned as soon as the cooktop, grates and caps are cool. These spills may affect the finish.

To avoid chipping, do not bang grates and caps against each other or hard surfaces such as cast iron cookware.

Do not reassemble caps on burners while wet.

Do not clean in the Self-Cleaning cycle.

Do not clean in dishwasher.

Cleaning Method:

- Nonabrasive plastic scrubbing pad and mildly abrasive cleanser:
Clean as soon as cooktop, grates, burners and caps are cool.
- Gas Grate and Drip Pan Cleaner (not included).

COOKTOP CONTROLS

To avoid damage to the cooktop controls, do not use steel wool, abrasive cleansers or oven cleaner.

To avoid damage, do not soak knobs. When replacing knobs, make sure knobs are in the Off position.

On some models, do not remove seals under knobs.

Cleaning Method:

- Soap and water:
Pull knobs straight away from control panel to remove.

GRIDDLE

To avoid damaging the nonstick surface, do not use steel wool or abrasive cleaners.

Cleaning Method:

- Mild detergent
- Dishwasher:
Although the griddle is durable, it may lose its shine and/or iscolor when washed in a dishwasher.

CONTROL PANEL AND OVEN DOOR EXTERIOR

To avoid damage to the control panel, do not use abrasive cleaners, steel-wool pads, gritty washcloths or abrasive paper towels.

Cleaning Method:

- Glass cleaner and soft cloth or sponge:
Apply glass cleaner to soft cloth or sponge, not directly on panel.
- affresh® Kitchen and Appliance Cleaner Part Number W10355010 (not included):
See the “Accessories” section for more information.

OVEN RACKS

Cleaning Method:

- Steel-wool pad
- For racks that have discolored and are harder to slide, a light coating of vegetable oil applied to the rack guides will help them slide.
- Dishwasher (steam rack water reservoir only, not racks):
Although the water reservoir is durable, it may lose its shine and/or discolor when washed in a dishwasher.

BAKING DRAWER

Check that baking drawer is cool and empty before cleaning. Food spills should be cleaned when oven cools. At high temperatures, foods react with porcelain. Staining, etching, pitting, or faint white spots can result.

Cleaning Method:

- Mild detergent

OVEN CAVITY

Use AquaLift® Technology regularly to clean oven spills.

Do not use oven cleaners.

Food spills should be cleaned when oven cools. At high temperatures, foods react with porcelain. Staining, etching, pitting, or faint white spots can result.

Cleaning Method:

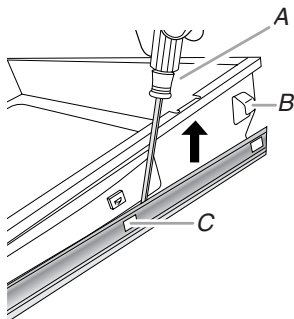
- Clean cycle:
See the “Clean Cycle” section first.

Remove/Replace Drawer

Remove all items from inside the baking drawer, and then allow the range to cool completely before attempting to remove the drawer.

To Remove:

1. Open the drawer to its fully open position.
2. Using a flat-blade screwdriver, gently loosen the drawer from the glide alignment notch, and then lift up the drawer alignment tab from the glide.

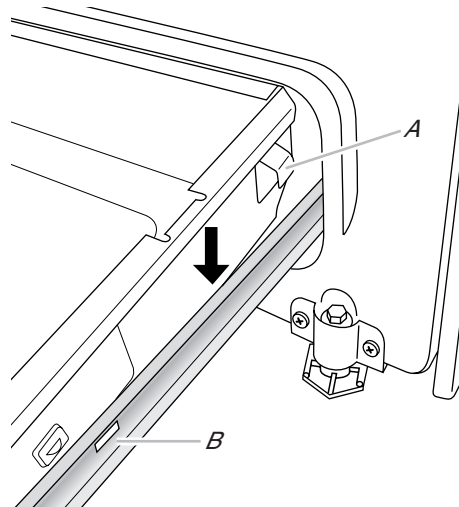


A. Flat-blade screwdriver
B. Drawer alignment tab
C. Drawer glide notch

3. Repeat Step 2 on the other side. The drawer is no longer attached to the drawer glides. Using both hands, pick up the drawer to complete the removal.

To Replace:

1. Align the forward drawer notches with the notches in the drawer glides on both sides. Place the rear alignment tabs into the drawer glides on both sides.



A. Drawer alignment tab
B. Drawer glide notch

2. Push the drawer in all the way.
3. Gently open and close the drawer to ensure it is seated properly on the glides on both sides.

Troubleshooting

First try the solutions suggested here. If you need further assistance or more recommendations that may help you avoid a service call, refer to the warranty page in this manual and scan the code there with your mobile device, or visit <http://jennair.custhelp.com>. In Canada, visit <http://www.jennair.ca>.

Contact us by mail with any questions or concerns at the address below:

In the U.S.A.:

Jenn-Air Brand Home Appliances
Customer eXperience Center
553 Benson Road
Benton Harbor, MI 49022-2692

In Canada:

Jenn-Air Brand Home Appliances
Customer eXperience Centre
200 - 6750 Century Ave.
Mississauga, Ontario L5N 0B7

Please include a daytime phone number in your correspondence.

Problem	Possible Causes and/or Solutions
Nothing will operate	<p>Power supply cord is unplugged - Plug into a grounded outlet.</p> <p>ENERGY SAVE is active, and the display is blank - Press any keypad on the control to display the time of day. See the "Electronic Oven Controls" section for more information.</p> <p>Household fuse is blown or a circuit breaker is tripped - Replace the fuse or reset the circuit breaker. If the problem continues, call an electrician.</p> <p>The control displays an F9 or F9 E0 error code - The electrical outlet in the home may be miswired. Contact a qualified electrician to verify the electrical supply.</p>
Surface burners will not operate	<p>The control knob is not set correctly - Push in knob before turning to a setting.</p> <p>Air in the gas lines - If this is the first time the surface burners have been used, turn on any one of the surface burner knobs to release air from the gas lines.</p> <p>Clogged burner ports - See the "Sealed Surface Burners" section.</p>
Surface burner flames are uneven, yellow and/or noisy	<p>Clogged burner ports - See the "Sealed Surface Burners" section.</p> <p>Burner caps positioned improperly - See the "Sealed Surface Burners" section.</p> <p>Range converted improperly - If propane gas is being used, contact a service technician or see the "Warranty" section for contact information.</p>
Excessive heat around cookware on cooktop	<p>Cookware and flame are not matched - The cookware should be centered above the burner with the bottom sitting level on the grate. The flame should be adjusted so that it does not extend up the sides of the pan.</p>
Cooktop cooking results not what expected	<p>Improper cookware - Ideal cookware should have a flat bottom, straight sides and a well fitting lid, and the material should be of a medium to heavy thickness.</p> <p>Control knob set to incorrect heat level - See the "Cooktop Use" section.</p> <p>Range is not level - Level the range. See the Installation Instructions.</p>
Oven will not operate	<p>Delay Start is set - See the "Cook Time" section.</p> <p>Control is locked - Press and hold START for 3 seconds to unlock.</p> <p>The range is in Demo mode - Demo mode will deactivate all oven elements. See "Demo Mode" in the "Electronic Oven Controls" section.</p> <p>Electronic oven control set incorrectly - See the "Electronic Oven Controls" section.</p>
Oven temperature too high or too low	<p>Oven temperature needs adjustment - See "Oven Temperature Control" in the "Electronic Oven Controls" section.</p>
Display shows messages	<p>Power failure (display shows flashing time) - Clear the display. On some models, reset the clock, if needed. See "Clock" keypad feature in the "Feature Guide" section.</p> <p>Error code (display shows letter followed by number) - Depending on your model, press CANCEL to clear the display. See "Control Display" in the "Electronic Oven Controls" section. If it reappears, call for service. See the "Warranty" section for contact information.</p> <p>Start needs to be pressed so a cycle can begin (display shows "PUSH" or "PSH") - See the "Start" keypad feature in the "Feature Guide" section.</p> <p>Range is in Sabbath mode (display shows "SAb") - Press CANCEL to exit Sabbath mode.</p>
Clean cycle did not work on all spills	<p>Several cooking cycles between Clean cycles or spills on oven walls and doors - Run additional Clean cycles. Use the AquaLift® Technology Cleaning Kit, affresh® Kitchen and Appliance Cleaner or affresh® Cooktop Cleaner can be used for stubborn soils. See the "Accessories" and "Clean Cycle" sections for more information.</p>

Problem	Possible Causes and/or Solutions
Mineral deposits are left on the oven bottom after the Clean cycle	<p>Tap water was used in the Clean cycle - Use distilled or filtered water in the Clean cycle. To remove deposits, use a cloth soaked with vinegar. Then use a cloth dampened with water to thoroughly remove any vinegar residue.</p> <p>Range is not level - Mineral deposits will collect on dry areas of the oven bottom during the Clean cycle. Level the range. See the Installation Instructions.</p> <p>To remove deposits, use a cloth soaked with vinegar. Then use a cloth dampened with water to thoroughly remove any vinegar residue.</p>
Oven cooking results not what expected	<p>Range is not level - Level the range. See the Installation Instructions.</p> <p>The set temperature was incorrect - Double-check the recipe in a reliable cookbook.</p> <p>Oven temperature needs adjustment - See “Oven Temperature Control” in the “Electronic Oven Controls” section.</p> <p>Oven was not preheated - See the “Baking and Roasting” section.</p> <p>Racks were positioned improperly - See the “Positioning Racks and Bakeware” section.</p> <p>Not enough air circulation around bakeware - See the “Positioning Racks and Bakeware” section.</p> <p>Darker browning of food caused by dull or dark bakeware - Lower oven temperature 25°F (15°C) or move rack to a higher position in the oven.</p> <p>Lighter browning of food caused by shiny or light colored bakeware - Move rack to a lower position in the oven.</p> <p>Batter distributed unevenly in pan - Check that batter is level in the pan.</p> <p>Incorrect length of cooking time was used - Adjust cooking time.</p> <p>Oven door was not closed - Be sure that the bakeware does not keep the door from closing.</p> <p>Oven door was opened during cooking - Oven peeking releases oven heat and can result in longer cooking times.</p> <p>Rack is too close to bake burner, making baked items too brown on bottom - Move rack to higher position in the oven.</p> <p>Pie crusts browning too quickly - Use aluminum foil to cover the edge of the crust and/or reduce baking temperature.</p>

Noises

Problem	Possible Causes and/or Solutions
Surface burner making popping noises	<p>Wet burner - Allow it to dry.</p>

Accessories

For accessories in the U.S.A., you can visit our website at www.jennair.com or call us at **1-800-JENNAIR (1-800-536-6247)**.

In Canada, visit our website at www.jennair.ca or call us at **1-800-JENNAIR (1-800-536-6247)**.

Complete Cooktop Cleaner Kit

(ceramic glass models)
(includes cleaner, protectant, protectant applicator, scraper, and cleaner pads)
Order Part Number 31605

Cooktop Protectant

(ceramic glass models)
Order Part Number 31463A

affresh® Stainless Steel Cleaning Wipes

(stainless steel models)
Order Part Number W10355049

affresh® Cooktop Cleaner

(ceramic glass models)
Order Part Number W10355051

Cooktop Cleaning Pads

(ceramic glass models)
Order Part Number W10391473

affresh® Stainless Steel Cleaner

(stainless steel models)
Order Part Number W10355016

affresh® Kitchen and Appliance Cleaner

Order Part Number W10355010

AquaLift® Oven Cleaning Kit

Order Part Number W10423113RP

Cooktop Scraper

(ceramic glass models)
Order Part Number WA906B

Granite Cleaner and Polish

Order Part Number W10275756

Gas Grate and Drip Pan Cleaner

Order Part Number 31617A

Gourmet Griddle

Order Part Number W10432539

Heavy Duty Flat Oven Rack

Order Part Number W10554005

Split Oven Rack

Order Part Number 4396927

HD Max Capacity Oven Rack

Order Part Number W10554006

Sliding Flat Oven Rack

Order Part Number W10554008

Porcelain Broiler Pan and Grid

Order Part Number 4396923

Premium Broiler Pan and Roasting Rack

Order Part Number W10123240

Trim Assembly

5/8" (1.7 cm) White - Order Part Number W10675027

5/8" (1.7 cm) Black - Order Part Number W10675026

5/8" (1.7 cm) Stainless Steel - Order Part Number W10675028

1 1/8" (2.9 cm) White - Order Part Number W10731885

1 1/8" (2.9 cm) Black - Order Part Number W10731886

1 1/8" (2.9 cm) Stainless Steel - Order Part Number W10731887

Backsplash Assembly

White - Order Part Number W10655448

Black - Order Part Number W10655449

Stainless Steel - Order Part Number W10655450

Grill Kit

Order Part Number W10432545

JENN-AIR® MAJOR APPLIANCE LIMITED WARRANTY

ATTACH YOUR RECEIPT HERE. PROOF OF PURCHASE IS REQUIRED TO OBTAIN WARRANTY SERVICE.

Please have the following information available when you call the Customer eXperience Center:

- Name, address and telephone number
- Model number and serial number
- A clear, detailed description of the problem
- Proof of purchase including dealer or retailer name and address

IF YOU NEED SERVICE:

1. Before contacting us to arrange service, please determine whether your product requires repair. Some questions can be addressed without service. Please take a few minutes to review the Troubleshooting or Problem Solver section of the Use and Care Guide, scan the QR code on the right to access additional resources, or visit <https://jennair.custhelp.com>.
2. All warranty service is provided exclusively by our authorized Jenn-Air Service Providers. In the U.S. and Canada, direct all requests for warranty service to:

Jenn-Air Customer eXperience Center
1-800-JENNAIR (1-800-536-6247).



<https://jennair.custhelp.com>

If outside the 50 United States or Canada, contact your authorized Jenn-Air dealer to determine whether another warranty applies.

TWO YEAR LIMITED WARRANTY

WHAT IS COVERED

For two years from the date of purchase, when this major appliance is installed, operated and maintained according to instructions attached to or furnished with the product, Jenn-Air brand of Whirlpool Corporation or Whirlpool Canada LP (hereafter "Jenn-Air") will pay for Factory Specified Replacement Parts and repair labor to correct defects in materials or workmanship that existed when this major appliance was purchased, or at its sole discretion replace the product. In the event of product replacement, your appliance will be warranted for the remaining term of the original unit's warranty period.

YOUR SOLE AND EXCLUSIVE REMEDY UNDER THIS LIMITED WARRANTY SHALL BE PRODUCT REPAIR AS PROVIDED HEREIN. Service must be provided by a Jenn-Air designated service company. This limited warranty is valid only in the United States or Canada and applies only when the major appliance is used in the country in which it was purchased. This limited warranty is effective from the date of original consumer purchase. Proof of original purchase date is required to obtain service under this limited warranty.

WHAT IS NOT COVERED

1. Commercial, non-residential, multiple-family use, or use inconsistent with published user, operator or installation instructions.
2. In-home instruction on how to use your product.
3. Service to correct improper product maintenance or installation, installation not in accordance with electrical or plumbing codes or correction of household electrical or plumbing (i.e. house wiring, fuses or water inlet hoses).
4. Consumable parts (i.e. light bulbs, batteries, air or water filters, preservation solutions, etc.).
5. Defects or damage caused by the use of non-genuine Jenn-Air parts or accessories.
6. Conversion of products from natural gas or L.P. gas.
7. Damage from accident, misuse, abuse, fire, floods, acts of God or use with products not approved by Jenn-Air.
8. Repairs to parts or systems to correct product damage or defects caused by unauthorized service, alteration or modification of the appliance.
9. Cosmetic damage including scratches, dents, chips, and other damage to the appliance finishes unless such damage results from defects in materials and workmanship and is reported to Jenn-Air within 30 days.
10. Discoloration, rust or oxidation of surfaces resulting from caustic or corrosive environments including but not limited to high salt concentrations, high moisture or humidity or exposure to chemicals.
11. Food or medicine loss due to product failure.
12. Pick-up or delivery. This product is intended for in-home repair.
13. Travel or transportation expenses for service in remote locations where an authorized Jenn-Air servicer is not available.
14. Removal or reinstallation of inaccessible appliances or built-in fixtures (i.e. trim, decorative panels, flooring, cabinetry, islands, countertops, drywall, etc.) that interfere with servicing, removal or replacement of the product.
15. Service or parts for appliances with original model/serial numbers removed, altered or not easily determined.

The cost of repair or replacement under these excluded circumstances shall be borne by the customer.

DISCLAIMER OF IMPLIED WARRANTIES

IMPLIED WARRANTIES, INCLUDING ANY IMPLIED WARRANTY OF MERCHANTABILITY OR IMPLIED WARRANTY OF FITNESS FOR A PARTICULAR PURPOSE, ARE LIMITED TO ONE YEAR OR THE SHORTEST PERIOD ALLOWED BY LAW. Some states and provinces do not allow limitations on the duration of implied warranties of merchantability or fitness, so this limitation may not apply to you. This warranty gives you specific legal rights, and you also may have other rights that vary from state to state or province to province.

DISCLAIMER OF REPRESENTATIONS OUTSIDE OF WARRANTY

Jenn-Air makes no representations about the quality, durability, or need for service or repair of this major appliance other than the representations contained in this warranty. If you want a longer or more comprehensive warranty than the limited warranty that comes with this major appliance, you should ask Jenn-Air or your retailer about buying an extended warranty.

LIMITATION OF REMEDIES; EXCLUSION OF INCIDENTAL AND CONSEQUENTIAL DAMAGES

YOUR SOLE AND EXCLUSIVE REMEDY UNDER THIS LIMITED WARRANTY SHALL BE PRODUCT REPAIR AS PROVIDED HEREIN. JENN-AIR SHALL NOT BE LIABLE FOR INCIDENTAL OR CONSEQUENTIAL DAMAGES. Some states and provinces do not allow the exclusion or limitation of incidental or consequential damages, so these limitations and exclusions may not apply to you. This warranty gives you specific legal rights, and you also may have other rights that vary from state to state or province to province.

MERCI d'avoir acheté ce produit de grande qualité. Enregistrez la cuisinière sur www.jennair.com. Au Canada, enregistrez la cuisinière sur www.jennair.ca.

Pour référence ultérieure, consignez par écrit les numéros de modèle et de série de votre produit. Vous trouverez les numéros de modèle et de série sur la plaque signalétique située sur le châssis du four, derrière la partie supérieure droite de la porte du four.

Numéro de modèle _____

Numéro de série du produit _____

Table des matières

SÉCURITÉ DE LA CUISINIÈRE	26
La bride antibasculement.....	27
CONSEILS ÉLÉMENTAIRES D'UTILISATION	30
Technologie d'autonettoyage AquaLift®	30
Températures en surface.....	30
Préchauffage	30
Brûleurs de surface.....	30
GUIDE DES CARACTÉRISTIQUES	31
Commandes électroniques du four	34
TABLE DE CUISSON	36
Brûleurs de surface	36
Grilles de surface	37
Taille du brûleur	38
Plaque à frire	38
Ustensiles de cuisson	38
Mise en conserve à la maison.....	39
FOUR	40
Papier d'aluminium	40
Positionnement des grilles et des ustensiles de cuisson au four.....	40
Grille déployante	41
Évent du four.....	42
Mode Sabbat.....	42
Cuisson au four et rôtissage	42
Cuisson au gril.....	42
Cuisson par convection	43
Levée du pain.....	43
Recette favorite	43
Durée de cuisson	44
Tiroir de cuisson.....	44
Lampe du four.....	45
ENTRETIEN DE LA CUISINIÈRE	46
Programme de nettoyage	46
Nettoyage général	47
Dépose et réinstallation du tiroir	48
DÉPANNAGE	49
ACCESSOIRES	51
GARANTIE	52

Votre sécurité et celle des autres est très importante.

Nous donnons de nombreux messages de sécurité importants dans ce manuel et sur votre appareil ménager. Assurez-vous de toujours lire tous les messages de sécurité et de vous y conformer.



Voici le symbole d'alerte de sécurité.

Ce symbole d'alerte de sécurité vous signale les dangers potentiels de décès et de blessures graves à vous et à d'autres.

Tous les messages de sécurité suivront le symbole d'alerte de sécurité et le mot "DANGER" ou "AVERTISSEMENT". Ces mots signifient :

! DANGER

Risque possible de décès ou de blessure grave si vous ne suivez pas immédiatement les instructions.

! AVERTISSEMENT

Risque possible de décès ou de blessure grave si vous ne suivez pas les instructions.

Tous les messages de sécurité vous diront quel est le danger potentiel et vous disent comment réduire le risque de blessure et ce qui peut se produire en cas de non-respect des instructions.

AVERTISSEMENT : Si les renseignements dans ce manuel ne sont pas exactement observés, un incendie ou une explosion peut survenir, causant des dommages au produit, des blessures ou un décès.

- **Ne pas entreposer ni utiliser de l'essence ou d'autres vapeurs ou liquides inflammables à proximité de cet appareil ou de tout autre appareil électroménager.**
- **QUE FAIRE DANS LE CAS D'UNE ODEUR DE GAZ :**
 - **Ne pas tenter d'allumer un appareil.**
 - **Ne pas toucher à un commutateur électrique.**
 - **Ne pas utiliser le téléphone se trouvant sur les lieux.**
 - **Appeler immédiatement le fournisseur de gaz à partir du téléphone d'un voisin. Suivre ses instructions.**
 - **À défaut de joindre votre fournisseur de gaz, appeler les pompiers.**
- **L'installation et l'entretien doivent être effectués par un installateur qualifié, une agence de service ou le fournisseur de gaz.**

AVERTISSEMENT : L'odorat ne permet pas toujours la détection d'une fuite de gaz.

Les distributeurs de gaz recommandent l'emploi d'un détecteur de gaz (homologation UL ou CSA).

Pour d'autre information, contacter le fournisseur de gaz local.

En cas de détection d'une fuite de gaz, exécuter les instructions "Que faire dans le cas d'une odeur de gaz".

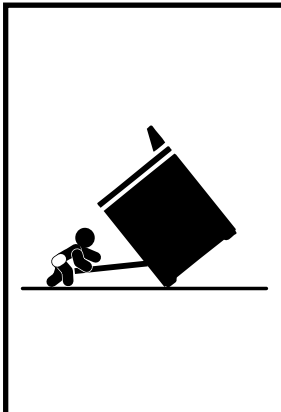
Avertissements de la proposition 65 de l'État de Californie :

AVERTISSEMENT : Ce produit contient au moins un produit chimique connu par l'État de Californie pour être à l'origine de cancers.

AVERTISSEMENT : Ce produit contient au moins un produit chimique connu par l'État de Californie pour être à l'origine de malformations et autres déficiences de naissance.

La bride antibasculement

Dans les conditions de service normales, la cuisinière ne bascule pas. Elle peut cependant basculer si une force ou un poids excessif est appliqué(e) sur la porte ouverte alors que la bride antibasculement n'est pas convenablement fixée.



⚠ AVERTISSEMENT

Risque de basculement

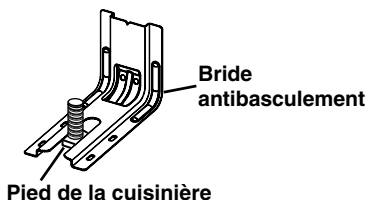
Un enfant ou une personne adulte peut faire basculer la cuisinière, ce qui peut causer un décès.

Vérifier que la bride antibasculement est bien installée et engagée, conformément aux instructions d'installation.

Réengager la bride antibasculement si la cuisinière a été déplacée.

Ne pas faire fonctionner la cuisinière si la bride antibasculement n'est pas installée et engagée.

Le non-respect de ces instructions peut causer un décès ou des brûlures graves aux enfants et aux adultes.



Pour vérifier que la bride antibasculement est bien installée et engagée :

- **Faire glisser la cuisinière vers l'avant.**
- **Vérifier que la bride antibasculement est bien fixée au plancher ou au mur.**
- **Faire de nouveau glisser la cuisinière vers l'arrière de sorte que le pied de la cuisinière se trouve sous la bride antibasculement.**
- **Voir les instructions d'installation pour plus de détails.**

IMPORTANTES INSTRUCTIONS DE SÉCURITÉ

AVERTISSEMENT : Pour réduire le risque d'incendie, de choc électrique, de blessures ou de dommages lors de l'utilisation de la cuisinière, il convient d'observer certaines précautions élémentaires dont les suivantes :

■ **AVERTISSEMENT** : POUR MINIMISER LE RISQUE DE BASCULEMENT DE LA CUISINIÈRE, ELLE DOIT ÊTRE BIEN IMMOBILISÉE PAR DES DISPOSITIFS ANTIBASCULEMENT CORRECTEMENT INSTALLÉS. POUR VÉRIFIER SI LES DISPOSITIFS SONT CORRECTEMENT INSTALLÉS, GLISSER LA CUISINIÈRE VERS L'AVANT ET VÉRIFIER SI LA BRIDE ANTIBASCULEMENT EST BIEN FIXÉE AU PLANCHER OU AU MUR, ET GLISSER LA CUISINIÈRE VERS L'ARRIÈRE POUR QUE LE PIED ARRIÈRE DE LA CUISINIÈRE SOIT SOUS LA BRIDE ANTIBASCULEMENT.

■ **AVERTISSEMENT** : NE JAMAIS utiliser cet appareil comme dispositif de chauffage de la pièce. Le non-respect de cette instruction peut entraîner une intoxication au monoxyde de carbone et une surchauffe du four.

■ **AVERTISSEMENT** : NE JAMAIS couvrir les fentes, trous ou passages d'air au fond du four ou couvrir entièrement une grille avec des matériaux tels que du papier d'aluminium. Le non-respect de cette instruction empêche la circulation de l'air dans le four et peut entraîner une intoxication au monoxyde de carbone. Les feuilles de papier d'aluminium peuvent également retenir la chaleur et créer un risque d'incendie.

■ **MISE EN GARDE** : Ne pas remiser dans des armoires au-dessus de la cuisinière ou sur le dossier d'une cuisinière, des objets que des enfants pourraient vouloir atteindre. Les enfants pourraient se brûler ou se blesser en grimant sur la cuisinière.

■ Ne pas laisser les enfants seuls – Les enfants ne doivent pas être laissés seuls ou sans surveillance dans la pièce où la cuisinière est en service. Ne jamais laisser les enfants s'asseoir ou se tenir sur une partie quelconque de la cuisinière.

■ Porter des vêtements appropriés – Des vêtements amples ou détachés ne doivent jamais être portés pendant l'utilisation de la cuisinière.

■ Entretien par l'utilisateur – Ne pas réparer ni remplacer toute pièce de la cuisinière si ce n'est pas spécifiquement recommandé dans le manuel. Toute autre opération d'entretien ou de réparation doit être confiée à un technicien qualifié.

■ Remisage dans ou sur la cuisinière – Des matériaux inflammables ne doivent pas être remisés dans un four ou près des éléments de surface.

- Ne pas utiliser d'eau pour éteindre un feu de graisse – Éteindre le feu ou les flammes ou utiliser un extincteur à produits chimiques secs, ou un extincteur à mousse.
- N'utiliser que des mitaines de four sèches – Des mitaines de four mouillées ou humides sur des surfaces chaudes peuvent provoquer des brûlures provenant de la vapeur. Ne pas laisser les mitaines de four toucher les éléments chauffants. Ne pas utiliser une serviette ou un tissu épais.
- NE PAS TOUCHER LES ÉLÉMENTS DE SURFACE OU L'ESPACE PRÈS DES ÉLÉMENTS – Les éléments de surface peuvent être chauds même lorsqu'ils ont une teinte foncée. Les endroits près des éléments de surface peuvent devenir assez chauds pour causer des brûlures. Pendant et après l'utilisation, ne pas toucher les éléments chauffants et ne pas laisser les vêtements ou autres matériaux inflammables entrer en contact avec ces éléments de surface ou les endroits près des éléments, avant qu'ils aient suffisamment refroidi. Ces endroits comprennent la table de cuisson et les surfaces près de la table de la cuisson.
- Ne jamais laisser les éléments de la table de cuisson sans surveillance alors qu'ils chauffent à la puissance maximale. Il pourrait en résulter une ébullition qui cause de la fumée et des renversements de corps gras qui peuvent s'enflammer.
- Ustensiles de cuisson vitrifiés – Seulement certains types d'ustensiles de verre, vitrocéramique, céramique, faïence ou autres surfaces vitrifiées conviennent pour le service sur une table de cuisson, sans bris attribuables aux changements soudains de température.
- Les poignées des ustensiles doivent être tournées vers l'intérieur et non vers le dessus des éléments adjacents – Pour réduire le risque de brûlures, d'inflammation de produits inflammables et de renversements dus à l'entrechoquement non intentionnel des ustensiles, la poignée d'un ustensile doit être positionnée de sorte qu'elle soit tournée vers l'intérieur et non au-dessus des éléments de surface adjacents.
- Nettoyer la table de cuisson avec prudence – Si une éponge ou un chiffon mouillé est utilisé pour essuyer les renversements sur une surface de cuisson chaude, éviter les brûlures causées par la vapeur chaude. Certains nettoyants peuvent produire des émanations nocives lorsqu'ils sont utilisés sur une surface chaude.
- Exercer une grande prudence lors de l'ouverture de la porte – Laisser l'air chaud ou la vapeur s'échapper avant d'enlever ou de replacer un plat.
- Ne pas faire chauffer des contenants fermés – L'accumulation de pression peut causer une explosion du contenant et des blessures.

CONSERVEZ CES INSTRUCTIONS

IMPORTANTES INSTRUCTIONS DE SÉCURITÉ

- Ne jamais obstruer les ouvertures des événements.
 - Positionnement des grilles du four – Toujours placer les grilles du four à la position désirée pendant que le four est froid. Si la grille doit être déplacée pendant que le four est chaud, ne pas laisser les mitaines de four toucher l'élément chaud du four.
 - **NE PAS TOUCHER LES ÉLÉMENTS CHAUFFANTS OU LES SURFACES INTÉRIEURES DU FOUR** – Les éléments chauffants peuvent être chauds même s'ils ont une teinte foncée. Les surfaces intérieures d'un four deviennent assez chaudes pour causer des brûlures. Pendant et après l'utilisation, ne pas toucher ou laisser des vêtements ou autres matériaux inflammables venir en contact avec les éléments chauds ou les surfaces intérieures chaudes du four avant qu'ils aient eu assez de temps pour refroidir. D'autres surfaces de l'appareil peuvent devenir assez chaudes pour causer des brûlures. Ces surfaces comprennent les ouvertures de l'évent du four et les surfaces près de ces ouvertures, les portes du four, et les hublots des portes du four.
 - Installation correcte – Une fois installée, la cuisinière doit être reliée à la terre conformément aux codes locaux, ou en l'absence de codes locaux, au *National Electrical Code ANSI/NFPA 70*. Au Canada, la cuisinière doit être reliée à la terre conformément au Code canadien des installations électriques. Veiller à ce que l'installation et la mise à la terre de la cuisinière soient correctement réalisées par un électricien qualifié.
 - Déconnecter la source de courant électrique avant d'intervenir sur l'appareil.
 - Des blessures peuvent résulter d'un mauvais usage des portes ou tiroirs de l'appareil – par exemple marcher, s'appuyer ou s'asseoir sur les portes ou tiroirs.
 - Entretien – Maintenir la zone de la cuisinière à l'abri des matériaux combustibles, essence ou autres vapeurs ou liquides inflammables.
 - La taille de la flamme du brûleur supérieur doit être ajustée de façon à ne pas dépasser du bord de l'ustensile de cuisson.
- Pour les cuisinières avec programme d'autonettoyage –**
- Ne pas nettoyer le joint de la porte – Le joint de la porte est essentiel pour l'étanchéité. Veiller à ne pas froter, endommager ou déplacer le joint.
 - Ne pas utiliser des produits commerciaux de nettoyage du four – On ne doit pas utiliser un produit commercial de nettoyage de four ou un enduit de protection des surfaces internes du four quel qu'en soit le type, sur les surfaces du four ou les surfaces voisines.
 - Nettoyer uniquement les pièces indiquées dans le manuel.
 - Avant d'exécuter le programme d'autonettoyage du four – Ôter la lèchefrite et les autres ustensiles. Essuyer tout excès de renversement avant de commencer un programme de nettoyage.
- Pour les appareils avec hotte de ventilation –**
- Nettoyer les hottes de ventilation fréquemment – La graisse ne doit pas s'accumuler sur la hotte ou le filtre.
 - Lorsque vous flambez des aliments sous la hotte, mettre le ventilateur en marche.

CONSERVEZ CES INSTRUCTIONS

Conseils élémentaires d'utilisation

Technologie d'autonettoyage AquaLift®



La technologie d'autonettoyage AquaLift® est une solution de nettoyage inédite permettant de réduire la durée, la température et les odeurs habituellement dégagées par rapport aux méthodes d'autonettoyage traditionnelles. Avec la technologie d'autonettoyage AquaLift®, une pellicule protectrice exclusive est activée par la chaleur et l'eau à l'intérieur du four pour décoller les salissures incrustées. Pour utiliser la technologie d'autonettoyage AquaLift®, il suffit d'essuyer les débris décollés, de verser de l'eau au fond du four et de lancer le programme d'autonettoyage AquaLift®. Une fois le programme terminé, en moins de 1 heure à une température plus basse que les méthodes d'autonettoyage traditionnelles, essuyer simplement l'eau restante et les salissures décollées. Voir la section "Programme de nettoyage" pour des instructions plus détaillées. Pour plus d'informations, des réponses aux questions fréquentes et des vidéos consacrées à la technologie d'autonettoyage AquaLift®, visiter notre site Web à l'adresse <http://whirlpoolcorp.com/aqualift>.

Températures en surface

Lorsque la cuisinière est en marche, toutes ses surfaces peuvent chauffer, y compris les boutons de commande et la porte du four.

Tiroir-réchaud

Lorsque le four est en marche, le tiroir peut chauffer. Ne pas placer d'objets en plastique, en tissu ou susceptibles de fondre ou de brûler dans le tiroir.

Évent du four

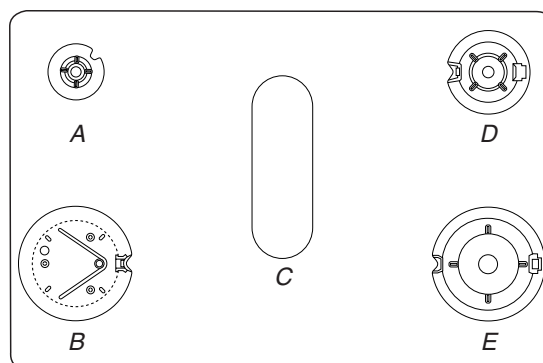
L'évent du four permet l'évacuation de l'air chaud et de l'humidité du four. Il ne doit pas être obstrué ou couvert. Ne pas placer près de l'évent du four des objets en plastique, en papier ou susceptibles de fondre ou de brûler.

Préchauffage

Au début d'un programme de cuisson au four, de cuisson au four avec convection ou de rôtissage avec convection, le four commence par un préchauffage une fois la touche Start (mise en marche) enfoncée. Le four atteint 350°F (177°C) en 12 à 15 minutes environ lorsque toutes les grilles fournies avec le four sont à l'intérieur. Pour atteindre une température plus élevée, le préchauffage est plus long. Le programme de préchauffage augmente rapidement la température du four. La température réelle du four dépasse alors la température programmée, pour compenser la chaleur perdue à l'ouverture du four pour y introduire le plat à cuire. Ainsi, le four entame la cuisson à la température correcte après y avoir placé le plat. Placer les aliments au four lorsque le signal sonore de préchauffage retentit. Ne pas ouvrir la porte du four pendant le préchauffage tant que le signal sonore n'a pas retenti.

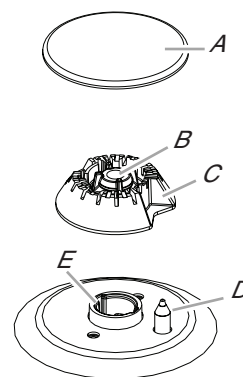
Brûleurs de surface

Les bases et les chapeaux des brûleurs doivent être correctement positionnés avant la cuisson. Votre cuisinière est équipée de brûleurs et de chapeaux de trois tailles. Chaque base de brûleur rond est marquée d'une lettre indiquant la taille du brûleur. Aligner les bases des brûleurs comme indiqué sur l'illustration suivante :



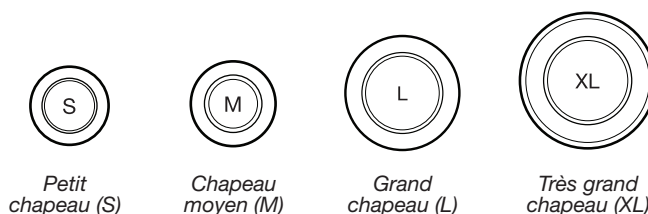
A. Petit (S) C. Ovale D. Moyen (M)
B. Très grand (XL) E. Grand (L)

Aligner l'ouverture du tube d'arrivée de gaz de la base du brûleur avec le porte-gicleur situé sur la cuisinière, et aligner également l'électrode d'allumage avec l'encoche de la base du brûleur.

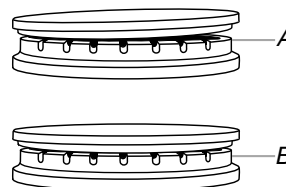


A. Chapeau de brûleur C. Base du brûleur
B. Ouverture du tube d'arrivée de gaz D. Électrode d'allumage
E. Porte-gicleur

Placer les chapeaux de brûleurs sur les bases des brûleurs correctes. Chaque chapeau de brûleur rond est marqué d'une lettre indiquant la taille du brûleur.



Un chapeau de brûleur correctement placé doit être horizontal. Si les chapeaux de brûleurs ne sont pas correctement installés, les brûleurs de surface ne s'allumeront pas. Le chapeau de brûleur ne devrait pas se balancer ou tanguer s'il est correctement aligné.



A. Incorrect
B. Correct

Guide des caractéristiques

Ce manuel concerne plusieurs modèles. Le modèle que vous avez peut comporter toutes les caractéristiques énumérées ou seulement certaines d'entre elles. Se reporter à ce manuel ou à la section Foire Aux Questions (FAQ) de notre site Web sur www.jennair.com pour des instructions plus détaillées. Au Canada, consulter la section du service à la clientèle sur www.jennair.ca.

⚠ AVERTISSEMENT

Risque d'empoisonnement alimentaire

Ne pas laisser des aliments reposer plus d'une heure avant ou après la cuisson.

Le non-respect de cette instruction peut causer un empoisonnement alimentaire ou une maladie.



Touche	Caractéristique	Instructions
OPTIONS/CLOCK (options/horloge)	Horloge	Cette horloge est réglable sur 12 ou 24 heures. Voir la section “Commandes électroniques du four”. <ol style="list-style-type: none"> Appuyer sur OPTIONS/CLOCK (options/horloge) jusqu’à afficher “CLOCK” (horloge). Appuyer sur les touches numériques pour régler l’heure. Appuyer sur START (mise en marche) pour changer l’heure. Appuyer sur “3” pour AM (heure du matin) ou “6” pour PM (heure de l’après-midi).
OPTIONS/CLOCK (options/horloge)	Réglages	Permet de personnaliser les signaux sonores et le fonctionnement du four selon les préférences de l’utilisateur. Voir la section “Commandes électroniques du four”.
LIGHT (lampe)	Éclairage de la cavité du four	L’éclairage du four est commandé par une touche située sur le tableau de commande du four. La porte du four étant fermée, appuyer sur LIGHT (lampe) pour allumer ou éteindre la lampe. L’éclairage du four s’allume automatiquement à l’ouverture de la porte.
TIMER SET/OFF (réglage/arrêt de la minuterie)	Minuterie du four	La minuterie peut être réglée en heures ou en minutes jusqu’à concurrence de 9 heures et 59 minutes. <ol style="list-style-type: none"> Appuyer sur TIMER SET/OFF (réglage/arrêt de la minuterie). Appuyer sur les touches numériques pour régler la durée en hr-min-min. Les zéros de gauche peuvent ne pas être entrés. Entrer “2” pour 2 minutes par exemple. Appuyer sur TIMER SET/OFF (réglage/arrêt de la minuterie) pour commencer le compte à rebours. Si activés, les signaux sonores de fin de programme retentissent à la fin du compte à rebours. Appuyer sur TIMER SET/OFF (réglage/arrêt de la minuterie) pour annuler la minuterie et revenir à l’heure du jour. Ne pas appuyer sur la touche Cancel (annulation), sinon le four s’éteindra. Si la minuterie est activée mais n’apparaît pas sur l’affichage, appuyer sur TIMER SET/OFF (réglage/arrêt de la minuterie) pour faire apparaître le compte à rebours pendant 5 secondes.
START (mise en marche)	Démarrage de la cuisson	La touche Start (mise en marche) met en marche n’importe quelle fonction du four. Si, après avoir appuyé sur une touche, on n’appuie pas sur Start (mise en marche) dans les 2 minutes qui suivent, la fonction est annulée et l’heure s’affiche.
CANCEL UPPER CANCEL LOWER (annulation four supérieur/annulation four inférieur)	Fonction de la cuisinière	La touche Cancel (annulation) désactivent toutes les fonctions du four ou du tiroir correspondant à l’exception de l’horloge et de la minuterie.

Touche	Caractéristique	Instructions
BAKE (cuisson au four) (four supérieur et inférieur)	Cuisson au four et rôtissage	<ol style="list-style-type: none"> 1. Appuyer sur la touche BAKE (cuisson au four) du four souhaité. 2. Régler la température souhaitée entre 170°F et 500°F (75°C et 260°C) pour le four supérieur, ou entre 170°F et 451°F (75°C et 233°C) pour le four inférieur en utilisant les touches numériques. La température par défaut est de 350°F (180°C). 3. Appuyer sur START (mise en marche). 4. Pour modifier la température, répéter les étapes 2 et 3. 5. Appuyer sur CANCEL (annulation) pour le four souhaité une fois terminé.
BROIL (cuisson au gril)	Cuisson au gril	<ol style="list-style-type: none"> 1. Appuyer sur BROIL (cuisson au gril). 2. Utiliser les touches numériques pour régler la température souhaitée. 3. Appuyer sur START (mise en marche) et laisser le four préchauffer pendant 5 minutes. 4. Pour modifier la température, répéter les étapes 2 et 3. 5. Placer le plat dans le four et fermer la porte. 6. Appuyer sur CANCEL UPPER (annulation four supérieur) après avoir terminé.
MANUAL CONVECT MODES (modes de cuisson au four par convection manuelle)	Cuisson par convection	<ol style="list-style-type: none"> 1. Appuyer sur MANUAL CONVECT MODES (modes de cuisson au four par convection manuelle) jusqu'à l'affichage du mode de convection souhaité. 2. Appuyer sur START (mise en marche). 3. Utiliser les touches numériques pour régler la température souhaitée. 4. Appuyer sur START (mise en marche). 5. Insérer les aliments lorsque demandé. 6. Pour modifier la température, répéter les étapes 3 et 4. 7. Appuyer sur CANCEL UPPER (annulation four supérieur) après avoir terminé.
AUTO CONVECT MODES (modes de cuisson au four par convection automatique)	Cuisson par convection	<ol style="list-style-type: none"> 1. Appuyer sur AUTO CONVECT MODES (modes de cuisson au four par convection automatique) jusqu'à l'affichage du mode de convection souhaité. 2. Appuyer sur START (mise en marche). 3. Utiliser les touches numériques pour régler la température souhaitée. 4. Appuyer sur START (mise en marche). 5. Appuyer sur les touches numériques pour régler la durée de cuisson souhaitée. 6. Appuyer sur START (mise en marche). 7. Insérer les aliments lorsque demandé. 8. Pour modifier la température, répéter les étapes 3 à 6. 9. Appuyer sur CANCEL UPPER (annulation four supérieur) après avoir terminé.
KEEP WARM (maintien au chaud) (four supérieur et inférieur)	Maintien au chaud	<p>Les aliments doivent être à la température de service avant d'être placés dans le four chaud.</p> <ol style="list-style-type: none"> 1. Appuyer sur la touche KEEP WARM (maintien au chaud) du four souhaité. 2. Régler la température souhaitée entre 145°F et 190°F (63°C et 88°C) en utilisant les touches numériques. La température par défaut est de 170°F (75°C). 3. Appuyer sur START (mise en marche). 4. Appuyer sur CANCEL (annulation) pour le four souhaité une fois terminé.
PROOF (levée)	Levée du pain	<ol style="list-style-type: none"> 1. Placer la pâte préparée dans le four. Appuyer sur PROOF (levée du pain). 2. Appuyer sur START (mise en marche). Laisser la pâte lever jusqu'à ce qu'elle ait presque doublé de volume. La durée de levée du pain peut varier en fonction du type de pâte et de la quantité. 3. Appuyer sur CANCEL UPPER (annulation four supérieur) lorsque la levée est terminée. Consulter la section "Levée du pain" pour plus d'informations.

Touche	Caractéristique	Instructions
FAVORITE (recette favorite)	Recette favorite sauvegardée	La touche Favorite (recette favorite) conserve le mode du four, la durée de cuisson et la température de cuisson de votre recette favorite. Pour sauvegarder et employer la recette favorite, consulter la section “Recette favorite”.
DELAY START (mise en marche différée)	Mise en marche différée	La touche Delay Start (mise en marche différée) sert à entrer l’heure de mise en marche pour un four équipé d’une mise en marche différée. La mise en marche différée ne doit pas être utilisée pour les aliments tels que pains et gâteaux, car ils risquent de ne pas bien cuire. Pour régler une cuisson minutée ou une cuisson minutée différée, voir la section “Durée de cuisson”.
COOK TIME (durée de cuisson)	Cuisson minutée	La cuisson minutée permet d’allumer le four à une certaine heure de la journée, d’effectuer une cuisson pendant une durée déterminée et/ou d’éteindre le four automatiquement. Pour régler une cuisson minutée ou une cuisson minutée différée, voir la section “Durée de cuisson”.
AQUALIFT SELF CLEAN (autonettoyage Aqualift)	Programme de nettoyage	Voir la section “Programme de nettoyage”.
START (Control Lock Hold 3 sec) (mise en marche [verrouillage des commandes - appuyer pendant 3secondes])	Verrouillage des commandes du four	<ol style="list-style-type: none"> 1. Vérifier que le four est OFF (éteint). 2. Appuyer pendant 3 secondes sur la touche START (hold 3 sec. to lock) (mise en marche [appuyer pendant 3 sec. pour verrouiller]). 3. Un signal sonore retentit et l’avertissement “Control Locked” (commandes verrouillées) défile, puis “Locked” (verrouillé) s’affiche. 4. Répéter l’opération pour déverrouiller. Aucune touche ne fonctionne lorsque les commandes sont verrouillées. Les fonctions de la table de cuisson ne sont pas affectées par le verrouillage des commandes du four.
OPTIONS/CLOCK (options/horloge)	Économie d’énergie	<ol style="list-style-type: none"> 1. Appuyer sur OPTIONS/CLOCK (options/horloge) jusqu’à afficher “ENERGY SAVE” (économie d’énergie). 2. Le réglage en cours s’affiche. 3. Appuyer sur la touche “1” pour changer le réglage. 4. Appuyer sur CANCEL (annulation) pour quitter et afficher l’heure. <p>Si le mode d’économie d’énergie est activé, l’affichage passe en mode de veille après 5 minutes d’inactivité. Appuyer sur n’importe quelle touche pour activer l’affichage. Si le mode d’économie d’énergie est désactivé, l’affichage reste constamment allumé.</p>

Commandes électroniques du four

Affichage des commandes

L'affichage clignote à la mise sous tension ou après une coupure de courant. Appuyer sur CANCEL UPPER (annulation du four supérieur) pour effacer. Lorsque le four n'est pas utilisé, l'heure s'affiche. Si la cuisinière est en mode d'économie d'énergie, l'écran est inactif lorsque le four n'est pas utilisé.

Signaux sonores

Les signaux sonores avertissent l'utilisateur de divers événements :

Un seul signal sonore

- Appui sur une touche valide
- Préchauffage du four terminé (signal sonore long)
- Saisie d'une fonction
- Rappel émis chaque minute après le signal sonore de fin de programme

Trois signaux sonores

- Appui sur une touche non valide

Quatre signaux sonores

- Fin de programme

Appuyer sur la touche Options/Clock (options/horloge) pour modifier les réglages des Sleep mode (signaux sonores).

Mode d'économie d'énergie

Le mode Energy Save (économie d'énergie) place la cuisinière en mode de veille pour réduire la consommation d'énergie.

Pour activer le mode Energy Save :

1. Appuyer sur OPTIONS/CLOCK (options/horloge) jusqu'à afficher "ENERGY SAVE" (économie d'énergie).
2. Le réglage en cours s'affiche.
3. Appuyer sur la touche "1" pour changer le réglage.
4. Appuyer sur CANCEL (annulation) pour quitter et afficher l'heure.
5. Le réglage sera activé après 5 minutes.

Pour désactiver le mode Energy Save :

1. Appuyer sur OPTIONS/CLOCK (options/horloge) jusqu'à afficher "ENERGY SAVE" (économie d'énergie).
2. Le réglage en cours s'affiche.
3. Appuyer sur la touche "1" pour changer le réglage.
4. Appuyer sur CANCEL (annulation) pour quitter et afficher l'heure.
5. L'horloge réapparaît dans l'affichage; on peut alors faire fonctionner la cuisinière comme d'habitude.

Réglages

De nombreuses fonctions du four peuvent être réglées pour répondre à vos besoins. La touche Options/Clock (options/horloge) sert à effectuer ces ajustements.

Appuyer sur la touche Options/Clock (options/horloge) pour faire défiler les fonctions modifiables. L'affichage passe au réglage suivant à chaque pression supplémentaire sur Options/Clock (options/horloge). Après avoir sélectionné la fonction à modifier, le tableau de commande demande à l'utilisateur d'effectuer la manœuvre nécessaire. Appuyer sur START (mise en marche) ou CANCEL UPPER (annulation du four supérieur) pour quitter et afficher l'heure. Les sections suivantes détaillent toutes les fonctions modifiables.

Appuyer sur CANCEL UPPER (annulation du four supérieur) pour quitter le mode Settings (réglages).

Horloge

Cette horloge est réglable sur 12 ou 24 heures.

1. Appuyer sur OPTIONS/CLOCK (options/horloge) jusqu'à afficher "CLOCK" (horloge).
2. Appuyer sur les touches numériques pour régler l'heure.
3. Appuyer sur START (mise en marche) pour changer l'heure.
4. Appuyer sur "3" pour AM (heure du matin) ou "6" pour PM (heure de l'après-midi).

Fahrenheit et Celsius

Le four est préréglé pour un affichage de la température en degrés Fahrenheit, mais on peut le permuter en degrés Celsius.

1. Appuyer sur OPTIONS/CLOCK (options/horloge) jusqu'à afficher "TEMP UNIT" (unité de température).
2. Le réglage en cours s'affiche.
3. Appuyer sur la touche "1" pour changer le réglage.
4. Appuyer sur START (mise en marche) ou CANCEL UPPER (annulation du four supérieur) pour quitter et afficher l'heure.

Désactivation des signaux sonores

Désactive tous les signaux sonores, y compris le signal sonore de fin de programme et les signaux sonores d'appui sur une touche. Les signaux sonores de rappel restent actifs lorsque tous les sons sont désactivés.

1. Appuyer sur OPTIONS/CLOCK (options/horloge) jusqu'à afficher "SOUND" (son).
2. Le réglage en cours s'affiche.
3. Appuyer sur la touche "1" pour changer le réglage.
4. Appuyer sur START (mise en marche) ou CANCEL UPPER (annulation du four supérieur) pour quitter et afficher l'heure.

Volume sonore

Règle le volume du signal sonore à bas ou élevé.

1. Appuyer sur OPTIONS/CLOCK (options/horloge) jusqu'à afficher "SOUND VOLUME" (volume sonore).
2. Le réglage en cours s'affiche.
3. Appuyer sur la touche "1" pour changer le réglage.
4. Appuyer sur START (mise en marche) ou CANCEL UPPER (annulation du four supérieur) pour quitter et afficher l'heure.

Signal sonore de fin de programme

Active ou désactive les signaux sonores émis à la fin d'un programme.

1. Appuyer sur OPTIONS/CLOCK (options/horloge) jusqu'à afficher "END TONE" (signal sonore de fin).
2. Le réglage en cours s'affiche.
3. Appuyer sur la touche "1" pour changer le réglage.
4. Appuyer sur START (mise en marche) ou CANCEL UPPER (annulation du four supérieur) pour quitter et afficher l'heure.

Signaux sonores d'appui sur une touche

Active ou désactive les signaux sonores lorsqu'on appuie sur une touche.

1. Appuyer sur OPTIONS/CLOCK (options/horloge) jusqu'à afficher "KEYPRESS TONE" (signal sonore des touches).
2. Le réglage en cours s'affiche.
3. Appuyer sur la touche "1" pour changer le réglage.
4. Appuyer sur START (mise en marche) ou CANCEL UPPER (annulation du four supérieur) pour quitter et afficher l'heure.

Désactivation des signaux sonores de rappel

Désactive le signal sonore bref qui retentit chaque minute après le signal sonore de fin de programme.

1. Appuyer sur OPTIONS/CLOCK (options/horloge) jusqu'à afficher "REMINDER TONE" (signal sonore de rappel).
2. Le réglage en cours s'affiche.
3. Appuyer sur la touche "1" pour changer le réglage.
4. Appuyer sur START (mise en marche) ou CANCEL UPPER (annulation du four supérieur) pour quitter et afficher l'heure.

Horloge 12/24 heures

1. Appuyer sur OPTIONS/CLOCK (options/horloge) jusqu'à afficher "12/24 HOUR" (horloge sur 12/24 heures).
2. Le réglage en cours s'affiche.
3. Appuyer sur la touche "1" pour changer le réglage.
4. Appuyer sur START (mise en marche) ou CANCEL UPPER (annulation du four supérieur) pour quitter et afficher l'heure.

Mode de démonstration

IMPORTANT : Destinée au personnel commercial en rayon, cette fonction permet, avec un raccordement au secteur 120 V, de présenter les fonctions des commandes sans pour autant activer le four. Si cette fonction est activée, le four ne fonctionnera pas.

1. Appuyer sur OPTIONS/CLOCK (options/horloge) jusqu'à afficher "DEMO MODE" (mode démo).
2. Le réglage en cours s'affiche.
3. Appuyer sur la touche "1" pour changer le réglage.
4. Appuyer sur START (mise en marche) ou CANCEL UPPER (annulation du four supérieur) pour quitter et afficher l'heure.

Mode Sabbat

Le mode Sabbat maintient le réglage de cuisson au four tant que le four n'est pas éteint.

Lorsque le mode Sabbat est réglé, seul le programme de cuisson au four fonctionne. Tous les autres programmes de cuisson et de nettoyage sont désactivés. Aucun signal sonore ne retentit et les affichages n'indiquent pas les changements de température.

Lorsque la porte du four est ouverte ou fermée, la lampe du four ne s'allume ou ne s'éteint pas et les éléments de chauffage ne s'allument ou ne s'éteignent pas immédiatement.

Activation du mode Sabbat (une seule fois) :

1. Appuyer sur OPTIONS/CLOCK (options/horloge) jusqu'à afficher "SABBATH" (sabbat).
2. Le réglage en cours s'affiche.
3. Appuyer sur la touche "1" pour changer le réglage.
4. Appuyer sur START (mise en marche) ou CANCEL UPPER (annulation du four supérieur) pour quitter et afficher l'heure.

Arrêt au bout de 12 heures

Le four est configuré pour s'éteindre automatiquement 12 heures après avoir activé une fonction de cuisson ou de nettoyage. Cette fonction ne perturbe aucune fonction de cuisson minutée ou différée.

1. Appuyer sur OPTIONS/CLOCK (options/horloge) jusqu'à afficher "12Hr AUTO_OFF" (arrêt automatique après 12 heures).
2. Le réglage en cours s'affiche.
3. Appuyer sur la touche "1" pour changer le réglage.
4. Appuyer sur START (mise en marche) ou CANCEL UPPER (annulation du four supérieur) pour quitter et afficher l'heure.

Langue du texte inscrit sur l'affichage

Les options de langue sont l'anglais, l'espagnol et le français.

1. Appuyer sur OPTIONS/CLOCK (options/horloge) jusqu'à afficher "LANGUAGE" (langue).
2. Le réglage en cours s'affiche.
3. Appuyer sur la touche "1" ou "2" pour sélectionner la langue souhaitée.
4. Appuyer sur START (mise en marche) ou CANCEL UPPER (annulation du four supérieur) pour quitter et afficher l'heure.

Commande de décalage de température du four

IMPORTANT : Ne pas utiliser de thermomètre pour mesurer la température du four. Les éléments chauffants s'allument et s'éteignent en alternance pour maintenir une température constante, mais leur température peut varier légèrement dans un sens ou dans l'autre du fait de cette alternance. De nombreux thermomètres réagissent lentement à un changement de température, et ne donneront pas une mesure exacte du fait de cette alternance.

Le four fournit des températures précises; toutefois, il peut cuire plus rapidement ou plus lentement que votre ancien four, c'est pourquoi la température peut être ajustée à vos besoins de cuisson. Elle peut être modifiée en degrés Fahrenheit ou Celsius.

Ajustement de la température du four :

1. Appuyer sur OPTIONS/CLOCK (options/horloge) jusqu'à afficher "TEMP CALIB" (étalonnage température).
2. Sur certains modèles, appuyer sur "1" pour effectuer l'étalonnage de température du tiroir. Appuyer sur START (mise en marche), attendre 10 secondes que l'affichage change, puis passer à l'étape 3.

OU

- Appuyer sur START (mise en marche) pour effectuer le réglage de la température du four. Attendre 10 secondes que l'affichage change, puis passer à l'étape 3.
3. Appuyer sur la touche "3" pour augmenter la température par paliers de 5°F (3°C) ou sur la touche "6" pour diminuer la température par paliers de 5°F (3°C). L'intervalle d'ajustement se situe entre -30°F et +30°F (-18°C à +18°C).
 4. Appuyer sur START (mise en marche) ou CANCEL UPPER (annulation du four supérieur) pour quitter et afficher l'heure.

⚠ AVERTISSEMENT



Risque d'incendie

La flamme d'un brûleur ne devrait pas dépasser le bord du récipient de cuisson.

Fermer tous les réglages lorsque la cuisson est terminée.

Le non-respect de ces instructions peut causer un décès ou un incendie.

Des allumeurs électriques allument automatiquement les brûleurs de surface lorsque les boutons de commande sont tournés au IGNITE (allumage).

Avant de régler un bouton de commande, placer l'ustensile de cuisson rempli sur la grille. Ne pas faire fonctionner un brûleur avec un ustensile de cuisson vide ou sans ustensile de cuisson sur la grille.

Réglage :

1. Enfoncer et tourner le bouton dans le sens antihoraire au IGNITE (allumage).
Tous les brûleurs de surface émettront un déclic. Seul le brûleur dont le bouton de commande est placé sur IGNITE (allumage) produira une flamme.
2. Tourner le bouton à n'importe quel réglage entre HIGH (élevé) et LOW (bas).

N'OUBLIEZ PAS : Lors de l'utilisation de la cuisinière, toute la surface de la table de cuisson peut devenir chaude.

Panne de courant

En cas de panne de courant prolongée, les brûleurs de surface peuvent être allumés manuellement. Tenir une allumette allumée près d'un brûleur et tourner le bouton dans le sens antihoraire au IGNITE (allumage). Une fois le brûleur allumé, tourner le bouton au réglage souhaité.

Brûleurs de surface

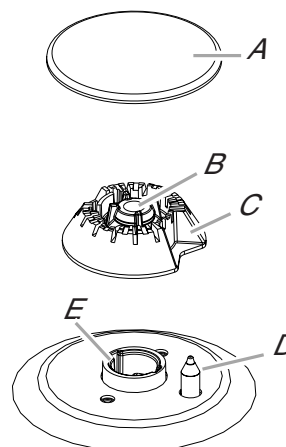
IMPORTANT : Ne pas entraver l'évacuation de l'air de combustion et de ventilation autour des bords des grilles de brûleur.

Chapeau de brûleur : Toujours garder le chapeau de brûleur en place lorsqu'un brûleur de surface est utilisé. Un chapeau de brûleur propre aide à empêcher le mauvais allumage et les flammes irrégulières. Toujours nettoyer le chapeau du brûleur après un renversement; enlever et nettoyer régulièrement les chapeaux tel qu'indiqué à la section "Nettoyage général".

REMARQUE : Chaque chapeau de brûleur rond est marqué d'une lettre indiquant la taille du brûleur.

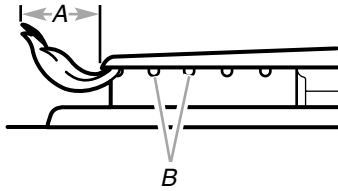
Alignement : Veiller à aligner l'ouverture du tube d'arrivée de gaz de la base du brûleur avec le porte-gicleur situé sur la table de cuisson, et à aligner également l'électrode d'allumage avec l'encoche de la base du brûleur.

REMARQUE : Chaque base de brûleur rond est marquée d'une lettre indiquant la taille du brûleur.



- A. Chapeau de brûleur
B. Ouverture du tube d'arrivée de gaz
C. Base du brûleur
D. Électrode d'allumage
E. Porte-gicleur

Ouverture du tube d'arrivée de gaz : Pour que la flamme s'allume convenablement, il faut que le gaz puisse passer librement à travers l'orifice. Garder cette zone propre et ne pas laisser les produits renversés, les aliments, les agents de nettoyage ou tout autre produit pénétrer dans l'ouverture du tube d'arrivée de gaz. Toujours utiliser un chapeau de brûleur pour protéger l'ouverture de gaz contre tout renversement.



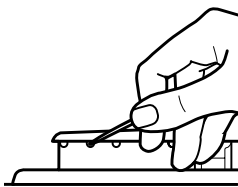
A. 1 à 1 1/2" (2,5 à 3,8 cm)
B. Orifices de brûleur

Orifices de brûleur : Examiner occasionnellement les flammes des brûleurs pour en vérifier la taille et la forme tel qu'indiqué ci-dessus. Une bonne flamme est bleue plutôt que jaune. Garder cette zone exempte de saletés et ne pas laisser les produits renversés, les aliments, les agents de nettoyage ou autre produit pénétrer dans les orifices de brûleur.

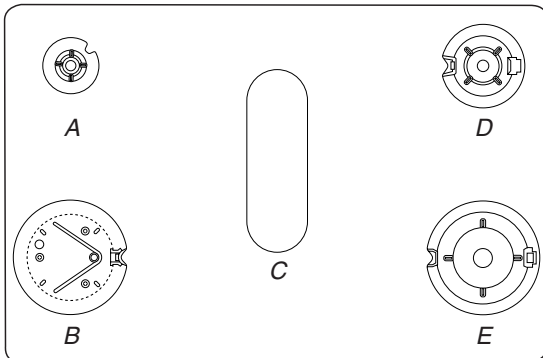
Nettoyage :

IMPORTANT : Avant le nettoyage, s'assurer que toutes les commandes sont désactivées et que la table de cuisson a refroidi. Ne pas utiliser de nettoyeurs à four, d'agents de blanchiment ou de décapants à rouille. Ne pas laver au lave-vaisselle.

1. Enlever le chapeau et la base du brûleur et nettoyer tel qu'indiqué à la section "Nettoyage général".
2. Nettoyer l'ouverture du tube d'arrivée de gaz avec un chiffon humide.
3. Nettoyer les orifices de brûleur obstrués avec une épingle droite tel qu'indiqué. Ne pas agrandir ni déformer l'orifice. Ne pas utiliser un cure-dents en bois. Si le brûleur a besoin d'être ajusté, contacter un technicien de réparation qualifié.



4. Réinstaller la base du brûleur. Chaque base de brûleur rond est marquée d'une lettre indiquant la taille du brûleur. Voir les illustrations suivantes pour connaître la position des brûleurs.



A. Petit (S) C. Ovale D. Moyen (M)
B. Très grand (XL) E. Grand (L)

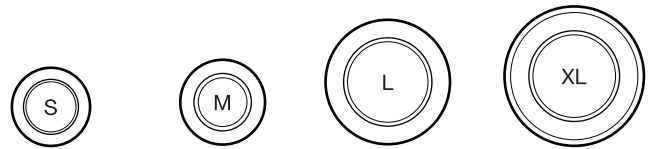
5. Réinstaller le chapeau du brûleur et s'assurer qu'il est bien aligné avec la base du brûleur. Lorsque le chapeau de brûleur est correctement aligné, il ne se balance pas et n'oscille pas.



A. Incorrect
B. Correct

IMPORTANT : Les dessous des chapeaux petit et moyen sont différents. Ne pas placer un chapeau de la taille incorrecte sur la base du brûleur.

REMARQUE : Chaque chapeau de brûleur rond est marqué d'une lettre indiquant la taille du brûleur.



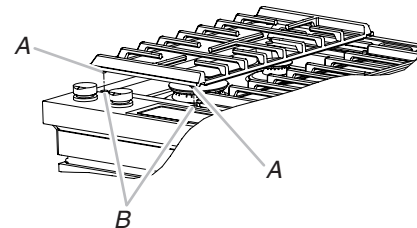
Petit chapeau (S) Chapeau moyen (M) Grand chapeau (L) Très grand chapeau (XL)

6. Allumer le brûleur. Si le brûleur ne s'allume pas, vérifier l'alignement du chapeau. Si le brûleur ne s'allume toujours pas, éteindre le brûleur. Ne pas réparer le brûleur soi-même. Contacter un technicien de réparation qualifié.

Grilles de surface

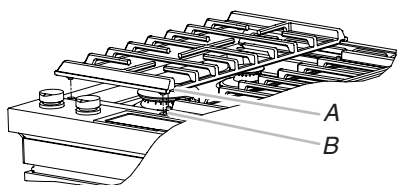
Les grilles doivent être correctement positionnées avant la cuisson. Les grilles doivent être en affleurement et de niveau pour être en bonne position. Une mauvaise installation des grilles peut entraîner l'écaillage ou l'érafflement de la table de cuisson.

Afin de les positionner correctement, aligner les butoirs au-dessous de la grille avec les indentations sur la table de cuisson.



A Butoirs
B. Indentations d'alignement

Les grilles de surface s'imbriquent à l'aide des crochets situés à une extrémité de la grille du milieu, et des fentes qui se trouvent sur les grilles latérales. Pour retirer les grilles, retirer d'abord les grilles latérales, puis retirer la grille du milieu. Pour remettre les grilles en place, remettre d'abord en place la grille du milieu, puis remettre en place les grilles latérales de chaque côté.

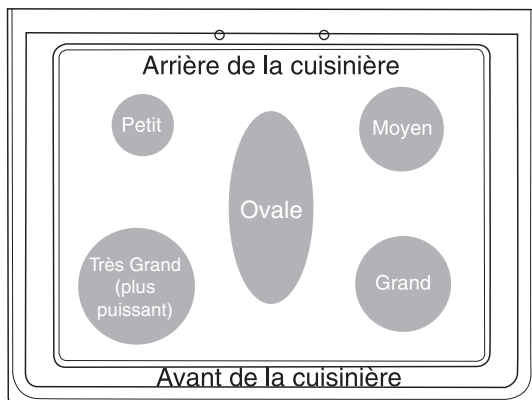


A. Crochet
B. Fente

Bien que les grilles de brûleurs soient durables, elles perdront progressivement de leur lustre et (ou) se décoloreront en raison des fortes températures produites par les flammes.

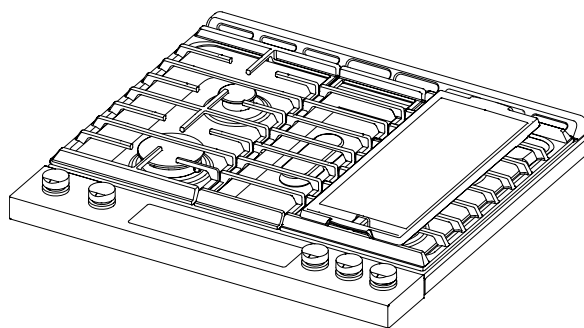
Taille du brûleur

Sélectionner un brûleur qui convient le plus aux ustensiles de cuisson utilisés. Voir le tableau et l'illustration suivants.



Taille du brûleur	Utilisation recommandée
Petite taille	<ul style="list-style-type: none"> ■ Cuisson à basse température ■ Faire fondre le chocolat ou le beurre
Taille moyenne	■ Brûleur multifonction
Grande taille	■ Pour les ustensiles de cuisson de grande taille
Très grande taille (plus puissant)	<ul style="list-style-type: none"> ■ Pour les ustensiles de cuisson de grande taille ■ Le brûleur le plus puissant

Plaque à frire



Plaque à frire installée sur le côté droit de la table de cuisson

Utilisation de la plaque à frire :

1. Localiser la plaque à frire sur le côté droit de la table de cuisson tel qu'indiqué. Les pieds de positionnement sur le dessous de la plaque à frire s'engagent dans les tiges de la grille pour empêcher la plaque à frire de glisser.
2. Avant chaque utilisation, passer une fine couche d'huile de cuisson afin d'empêcher les aliments de coller. Les aérosols de cuisson peuvent laisser un résidu collant sur la plaque à frire, qui sera difficile à enlever.
3. Préchauffer la plaque à frire pendant 5 minutes. Un préchauffage lent assure une distribution homogène de la chaleur et évite de déformer la plaque à frire.
4. Pour un préchauffage et une cuisson parfaits, placer le brûleur avant au réglage de chaleur le plus faible et le brûleur arrière au niveau de chaleur moyen-élevé.

REMARQUE : La plaque à frire peut également être utilisée sur la grille de gauche. Pour une performance optimale, placer le brûleur arrière au niveau de chaleur moyen-élevé ou moyen, et le brûleur avant au réglage de chaleur le plus faible.

Nettoyage de la plaque à frire :

1. Laisser la plaque à frire refroidir, puis vider le plateau ramasse-gouttes.
2. Voir la section "Nettoyage général" pour les instructions de nettoyage.
3. Conserver la plaque à frire dans un lieu sec et frais.

Ustensiles de cuisson

IMPORTANT : Ne pas laisser d'ustensile de cuisson vide sur une surface de cuisson, un élément ou un brûleur de surface chauds.

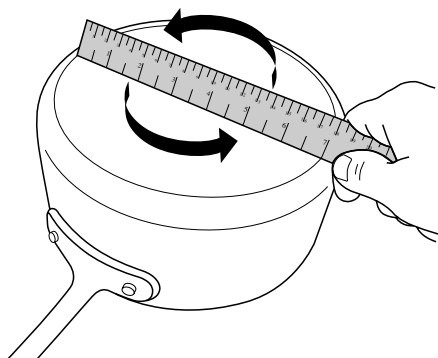
Les ustensiles de cuisson idéals doivent avoir un fond plat, des parois droites, un couvercle qui ferme hermétiquement et le matériau doit être d'épaisseur moyenne à forte.

Les finis rugueux peuvent égratigner la table de cuisson. L'aluminium et le cuivre peuvent être utilisés comme fond ou base d'un ustensile de cuisson. Toutefois, lorsqu'ils sont utilisés comme base, ils peuvent laisser des marques permanentes sur les surfaces.

Le matériau d'un ustensile a une influence sur la rapidité et l'uniformité de la transmission de la chaleur, lesquelles contribuent aux résultats de cuisson. Un fini antiadhésif a les mêmes caractéristiques que son matériau de base. Par exemple, un ustensile de cuisson en aluminium avec un fini antiadhésif aura les propriétés de l'aluminium.

Les ustensiles de cuisson avec surface antiadhésive ne doivent pas être utilisés sous le gril.

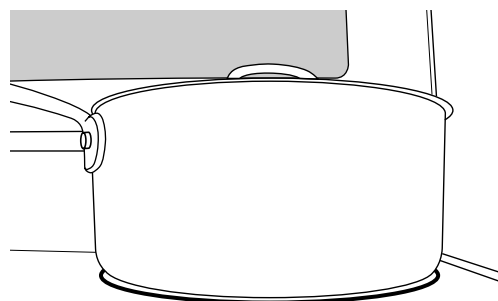
Vérifier que le récipient est plat en plaçant le bord plat d'une règle en travers du fond du récipient. Lorsque l'on fait tourner la règle, aucun espace ni aucune lumière ne devraient être visibles entre celle-ci et le récipient.



Utiliser le tableau suivant comme guide pour les caractéristiques du matériau d'ustensile de cuisson.

Ustensile	Caractéristiques
Aluminium	<ul style="list-style-type: none"> ■ Chauffe rapidement et uniformément. ■ Convient à tous les genres de cuisson. ■ L'épaisseur moyenne ou forte convient le mieux pour la plupart des tâches de cuisson. ■ Peut laisser des résidus d'aluminium. Pour en réduire la quantité, les nettoyer immédiatement après la cuisson.
Fonte	<ul style="list-style-type: none"> ■ Chauffe lentement et uniformément. ■ Convient pour le brunissage et la friture. ■ Maintient la chaleur pour une cuisson lente. ■ Des rebords anguleux ou mal poncés peuvent érafler la table de cuisson.
Céramique ou vitrocéramique	<ul style="list-style-type: none"> ■ Suivre les instructions du fabricant. ■ Chauffe lentement, mais inégalement. ■ Les meilleurs résultats sont obtenus sur les réglages de chaleur basse à moyenne. ■ Peut érafler la table de cuisson.
Cuivre	<ul style="list-style-type: none"> ■ Chauffe très rapidement et uniformément. ■ Peut laisser des résidus de cuivre. Pour en réduire la quantité, les nettoyer immédiatement après la cuisson. ■ Peut laisser une tache indélébile ou adhérer à la table de cuisson en cas de surchauffe du matériau.
Terre cuite	<ul style="list-style-type: none"> ■ Suivre les instructions du fabricant. ■ Utiliser des réglages de température basse. ■ Peut érafler la table de cuisson.
Acier émaillé en porcelaine ou fonte émaillée	<ul style="list-style-type: none"> ■ Voir acier inoxydable ou fonte. ■ Les ustensiles de cuisson au four en émail vitrifié dépourvus d'une base métallique peuvent adhérer à la table de cuisson en cas de surchauffe du matériau.
Acier inoxydable	<ul style="list-style-type: none"> ■ Chauffe rapidement, mais inégalement. ■ Un fond ou une base d'aluminium ou de cuivre sur l'acier inoxydable procure un chauffage uniforme.

Utiliser des ustensiles de cuisson à fond plat pour obtenir de meilleurs résultats de cuisson et une meilleure utilisation de l'énergie. Les ustensiles de cuisson doivent avoir la même taille que la zone de cuisson indiquée sur la table de cuisson. L'ustensile de cuisson ne doit pas dépasser de plus de 1/2" (13 mm) hors de la zone de cuisson.



Mise en conserve à la maison

Lors de la préparation de conserves pendant de longues périodes, alterner l'utilisation des brûleurs de surface de cuisson entre chaque quantité préparée. Ceci permet aux dernières surfaces utilisées de refroidir.

- Centrer l'autoclave sur la grille au-dessus du brûleur.
- Ne pas placer l'autoclave sur 2 brûleurs de surface en même temps.
- Pour plus de renseignements, contacter votre bureau de développement agricole local, ou consulter les guides de mise en conserve domestique. Les compagnies qui fabriquent des produits pour la préparation de conserves peuvent aussi offrir de l'aide.

Four

Des odeurs et de la fumée sont normales lorsque le four est utilisé les premières fois, ou lorsqu'il est très sale.

IMPORTANT : La santé de certains oiseaux est très sensible aux émanations de fumée. L'exposition aux émanations peut entraîner la mort de certains oiseaux. Toujours déplacer les oiseaux dans une autre pièce fermée et bien aérée.

Papier d'aluminium

IMPORTANT : Pour éviter des dommages permanents au fini du fond du four, ne pas recouvrir le fond du four avec du papier d'aluminium ou un revêtement quelconque.

Pour assurer une bonne circulation de l'air et des résultats de cuisson optimaux, ne pas recouvrir la grille entière de papier d'aluminium.

Positionnement des grilles et des ustensiles de cuisson au four

IMPORTANT : Afin d'éviter d'endommager irrémédiablement la finition en émail, ne pas placer d'aliments ou d'ustensiles de cuisson au four directement sur la porte ou sur le fond du four.

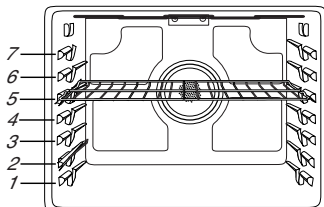
Ustensiles de cuisson

L'air chaud doit pouvoir circuler autour de l'aliment pour le cuire uniformément. Laisser 2" (5 cm) entre les ustensiles de cuisson et les parois du four. S'assurer qu'aucun ustensile de cuisson ne se trouve directement au-dessus d'un autre.

Grilles

- Placer les grilles avant d'allumer le four.
- Ne pas déplacer les grilles lorsque des ustensiles de cuisson se trouvent dessus.
- S'assurer que les grilles sont horizontales.

Pour déplacer une grille, la tirer jusqu'à la butée, soulever l'avant puis la retirer. Se servir de l'illustration et du tableau suivants comme guide.

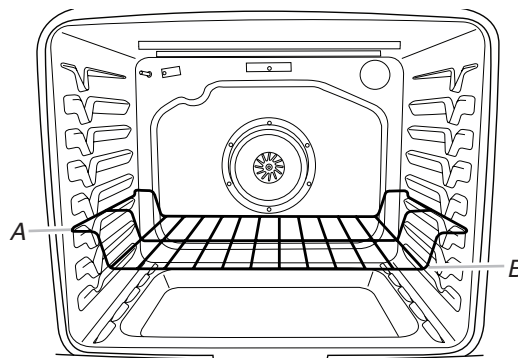


Le four possède 7 positions pour grille plate, comme indiqué dans l'illustration précédente et le tableau suivant.

Position de la grille plate*	Type d'aliment
7	Cuire au grill/griller les viandes, les hamburgers, les steaks
6	Viandes grillées, volaille, poisson
3 ou 4	La plupart des produits de boulangerie, plats en sauce, plats surgelés
2	Viandes rôties
1	Gros rôtis/volailles

Pour qu'une galette à hamburger soit bien saisie à l'extérieur tout en restant saignante à l'intérieur, utiliser une grille plate en position 7. Cuire le 1^{er} côté pendant 2½ à 3½ minutes. Cuire le 2^e côté pendant 4 à 5 minutes. Une légère fumée peut se dégager durant la cuisson au grill.

* Si votre modèle possède une grille de four à capacité maximale, les bords surélevés doivent être placés dans la position immédiatement supérieure à la position souhaitée pour les aliments. Voir l'illustration ci-dessous.



A. Bordures de grille en position 3
B. Aliments en position 2

IMPORTANT : Ces positions de grille concernent les grilles plates. En cas d'utilisation d'une grille de four à capacité maximale, la position de la grille doit être ajustée en conséquence comme dans l'illustration précédente.

Cuisson sur plusieurs grilles

Cuisson sur 2 grilles (sans convection) : Utiliser les positions de grille 2 et 5 ou 3 et 6.

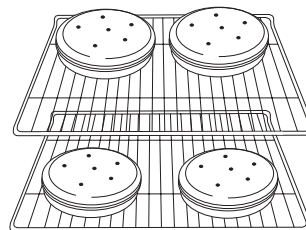
Cuisson sur 2 grilles (avec convection) : Utiliser les positions de grille 2 et 5 ou 3 et 6.

Cuisson sur 3 grilles (avec convection) : Utiliser les positions 2 et 7 et une grille de four à capacité maximale en position 5.

Cuisson au four de biscuits et de gâteaux à étages sur 2 grilles

Cuisson au four de gâteaux à étages

Pour une cuisson optimale de gâteaux sur 2 grilles, utiliser la fonction Bake (cuisson au four), une grille plate en position 3 et une grille déployante en position 5. Placer les gâteaux sur les grilles tel qu'indiqué. Prévoir un espace d'au moins 3" (7,6 cm) entre le bord avant des grilles et les gâteaux placés à l'avant.



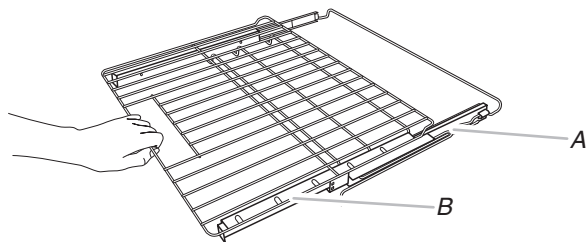
Cuisson au four de biscuits

Pour une cuisson optimale de biscuits sur 2 grilles, utiliser la fonction Convection Bake (cuisson au four par convection), une grille plate en position 3 et une grille déployante en position 4.

Grille déployante

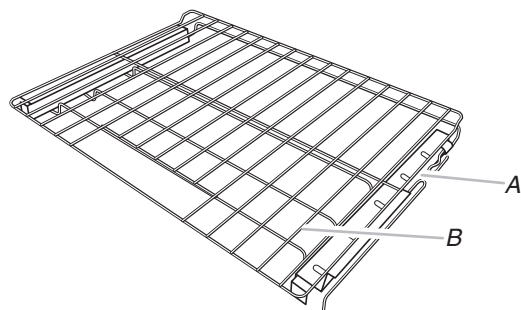
Cette grille déployante offre un accès facile à l'utilisateur pour le positionnement et le retrait des aliments. Il n'est pas conseillé d'utiliser la grille déployante à la position supérieure (position 7) ou à la position inférieure (position 1).

Position déployée



A. Pourtour de grille
B. Grille coulissante

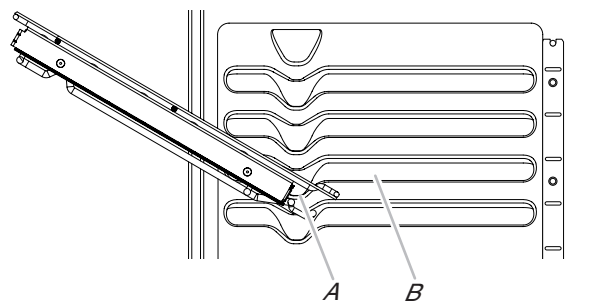
Position rétractée et emboîtée



A. Pourtour de grille
B. Grille coulissante

Insertion de la grille déployante

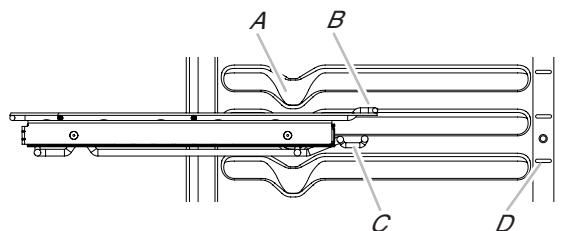
1. Incliner l'avant de la grille vers le haut et insérer le pourtour de la grille dans l'encoche en "V" des glissières de grille à l'intérieur de la cavité du four.



A. Ouverture en "V"
B. Glissières de grille

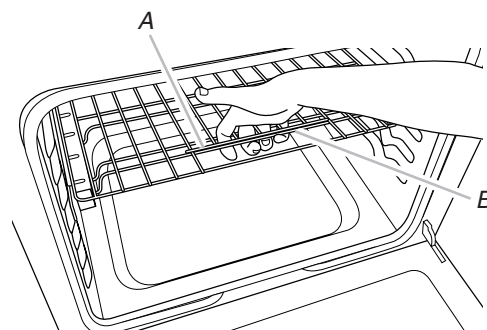
2. Garder la grille inclinée vers le haut et l'enfoncer au-delà de l'encoche inférieure en "V".

3. Abaisser l'avant de la grille et l'introduire avec précaution dans le four en la faisant glisser au-delà des encoches en "V". Enfoncer la grille à l'intérieur du four jusqu'à ce qu'elle bute sur l'échelle dans le fond du four.



A. Ouverture en "V"
B. Glissières de grille
C. Crochet de l'échelle
D. Échelle

4. Passer la main sur la grille pour agripper la grille coulissante et la barre transversale avant. Soulever l'avant de la grille et pousser la grille à l'arrière du four. Abaisser l'avant de la grille pour que le crochet de l'échelle s'engage dans l'échelle de chaque côté du four.



A. Grille coulissante
B. Grille transversale avant

Dépose de la grille déployante

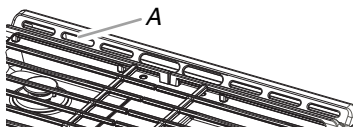
1. Enfoncer complètement la grille coulissante jusqu'à ce qu'elle soit rétractée et emboîtée.
2. Passer la main sur la grille pour agripper la grille coulissante et la barre transversale avant. Soulever l'avant de la grille pour dégager le crochet de l'échelle au fond du four, et tirer la grille vers l'avant.
3. Avec les deux mains, retirer simultanément la grille coulissante et son pourtour avec précaution pour les extraire de l'encoche en "V". Incliner la grille de façon à ce que l'avant soit plus haut que l'arrière et la retirer avec précaution pour l'extraire de l'encoche en "V", puis du four.

Pour éviter d'endommager la grille coulissante, ne pas placer plus de 25 lb (11,4 kg) sur la grille.

Ne pas nettoyer la grille déployante au lave-vaisselle. Ceci pourrait enlever le lubrifiant de la grille et affecter la capacité de celle-ci à glisser.

Voir la section "Nettoyage général" pour plus de renseignements.

Évent du four



A. Évent du four

L'évent du four permet l'évacuation de l'air chaud et de l'humidité du four et ne doit pas être obstrué ou couvert. Le fait d'obstruer ou de couvrir l'évent nuit à la circulation adéquate de l'air et affecte les résultats de cuisson et de nettoyage. Ne pas placer près de l'évent du four des produits en plastique, en papier ou d'autres articles qui pourraient fondre ou brûler.

Mode Sabbat

Le mode Sabbat maintient le réglage de cuisson au four tant que le four n'est pas éteint.

Lorsque le mode Sabbat est réglé, seul le programme de cuisson au four fonctionne. Tous les autres programmes de cuisson et de nettoyage sont désactivés. Aucun signal sonore ne retentit et les affichages n'indiquent pas les changements de température.

Lorsque la porte du four est ouverte ou fermée, la lampe du four ne s'allume ou ne s'éteint pas et les éléments de chauffage ne s'allument ou ne s'éteignent pas immédiatement.

Activation du mode Sabbat (une seule fois) :

1. Appuyer sur OPTIONS/CLOCK (options/horloge) jusqu'à afficher "SABBATH" (sabbat). "OFF. Press (1) for On" (Inactif. Appuyer sur (1) pour activer) défile sur l'affichage.
2. Appuyer sur la touche "1". "ON. Press (1) for Off" (actif. Appuyer sur (1) pour désactiver) défile sur l'affichage. Le mode Sabbat peut être utilisé pour la cuisson au four.
3. Appuyer sur START (mise en marche) ou CANCEL UPPER (annulation du four supérieur) pour quitter et afficher l'heure.

REMARQUE : Pour désactiver le mode Sabbat, répéter les étapes 1 à 3 pour changer l'état de "SABBATH ON" (mode Sabbat actif) à "SABBATH OFF" (mode Sabbat inactif).

Activation du mode Sabbat :

1. Appuyer sur BAKE (cuisson au four) pour le four désiré.
2. Appuyer sur les touches numériques pour entrer une température autre que 350°F (177°C).
3. Appuyer sur START (mise en marche).
Pour une cuisson minutée au mode Sabbat, appuyer sur COOK TIME (durée de cuisson), puis sur les touches numériques pour régler la durée de cuisson désirée.
4. Appuyer sur OPTIONS/CLOCK (options/horloge). Trois signaux sonores retentissent. Appuyer ensuite sur "7". "Sab" apparaît sur l'affichage.

Réglage de la température (lorsque le mode Sabbat fonctionne) :

1. Appuyer sur les touches numériques comme indiqué par le texte déroulant afin de sélectionner la nouvelle température.
REMARQUE : Le changement de température n'apparaît pas sur l'affichage. Le texte déroulant s'affiche tel qu'il était avant que l'on n'appuie sur la touche.
2. Appuyer sur START (mise en marche).

Désactivation du mode Sabbat :

Appuyer sur OPTIONS/CLOCK (options/horloge), puis sur "7" pour revenir à la cuisson au four traditionnelle ou sur CANCEL (annulation) pour le four désiré pour éteindre la cuisinière.

REMARQUE : Aucun signal sonore ne retentira lors de la désactivation du mode Sabbat.

Cuisson au four et rôtissage

Préchauffage

Au début d'un programme de cuisson au four ou de cuisson au four avec convection, le four commence par un préchauffage une fois la touche Start (mise en marche) enfoncée. Le four atteint 350°F (177°C) en 12 à 15 minutes environ lorsque toutes les grilles fournies avec le four sont à l'intérieur. Pour atteindre une température plus élevée, le préchauffage est plus long. Le programme de préchauffage augmente rapidement la température du four. La température réelle du four dépasse alors la température programmée, pour compenser la chaleur perdue à l'ouverture du four pour y introduire le plat à cuire. Ainsi, le four entame la cuisson à la température correcte après y avoir placé le plat. Placer les aliments au four lorsque le signal sonore de préchauffage retentit. Ne pas ouvrir la porte du four pendant le préchauffage tant que le signal sonore n'a pas retenti.

Température du four

En cours d'utilisation, les éléments chauffants du four s'allument et s'éteignent en alternance pour maintenir une température constante, mais leur température peut varier légèrement dans un sens ou dans l'autre du fait de cette alternance. L'ouverture de la porte du four en cours d'utilisation laisse échapper l'air chaud et refroidit le four, ce qui peut modifier la durée nécessaire et le résultat de la cuisson. Pour suivre l'avancement de la cuisson, il est conseillé d'utiliser l'éclairage du four.

REMARQUE : Sur les modèles équipés d'une fonction de convection, le ventilateur de convection peut tourner dans le mode de cuisson sans convection pour améliorer la performance du four.

Système de gestion de la température

Le système de gestion de la température régule électroniquement la température du four durant le préchauffage et la cuisson au four afin de maintenir un intervalle précis de températures et optimiser la cuisson. Les éléments de cuisson au four et au gril ou brûleurs s'allument et s'éteignent par intermittence. Pour les cuisinières à convection, le ventilateur fonctionne pendant le préchauffage et peut s'allumer et s'éteindre par intermittence pendant de courts intervalles durant le mode Bake (cuisson au four) afin de produire un meilleur résultat. Cette fonction est automatique lorsque le four est utilisé.

Avant la cuisson au four et le rôtissage, placer les grilles comme indiqué à la section "Positionnement des grilles et des ustensiles de cuisson". Lors du rôtissage, il n'est pas nécessaire d'attendre la fin du préchauffage du four avant d'y placer la nourriture, sauf si la recette le recommande.

Cuisson au gril

Pour la cuisson au gril, préchauffer le four pendant 2 minutes avant d'y placer des aliments, à moins que la recette ne recommande autre chose. Placer l'aliment sur la grille de la lèchefrite, puis placer celle-ci au centre de la grille du four.

IMPORTANT : Fermer la porte pour une température de cuisson au gril adéquate.

Le changement de température lors de la cuisson au gril permet un contrôle plus précis de la cuisson. Plus le réglage du gril est bas, plus la cuisson est lente. Les morceaux épais et de forme irrégulière de viande, de poisson et de volaille cuisent mieux à des réglages de gril plus bas. Utiliser les grilles 6 ou 7 pour la cuisson au gril. Consulter la section "Positionnement des grilles et ustensiles de cuisson" pour plus d'informations.

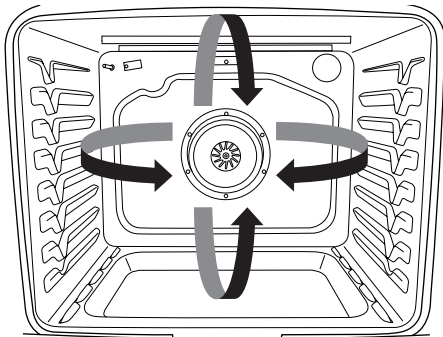
À des réglages inférieurs, l'élément de cuisson au gril s'allume et s'éteint par intermittence afin de maintenir une température adéquate.

- Pour de meilleurs résultats, utiliser une lèchefrite et une grille - elles sont conçues pour laisser s'écouler les jus et aider à éviter les éclaboussures et la fumée.

Il est possible de commander une lèchefrite. Voir la section "Accessoires".

Cuisson par convection

Dans un four à convection, l'air chaud que fait circuler le ventilateur répartit plus uniformément la chaleur que le mouvement naturel de l'air dans un four thermique standard. Ce déplacement d'air chaud contribue à maintenir une température constante dans tout le four, qui permet de cuire les aliments plus uniformément, de dorer leur surface tout en conservant leur humidité naturelle et de donner des pains plus croustillants.



Durant la cuisson ou le rôtissage par convection, les éléments de cuisson au four, cuisson au gril et de convection s'allument et s'éteignent par intermittence tandis que le ventilateur fait circuler l'air chaud. Durant la cuisson au gril par convection, les éléments de cuisson au gril et de convection s'allument et s'éteignent par intermittence.

Si la porte du four est ouverte durant la cuisson par convection, le ventilateur s'éteint immédiatement. Il s'allume à nouveau lorsque la porte du four est fermée.

La cuisson par convection permet de cuire la majorité des aliments à une température plus basse et/ou moins longtemps qu'avec un four thermique standard. Lorsque l'on utilise les modes de cuisson au four par convection manuelle, réduire la durée et la température de cuisson lorsque l'on règle le four. Utiliser le tableau suivant comme guide.

Mode de convection	Recommandation de durée/temp.
Cuisson au four par convection	Température plus basse de 25°F (15°C), réduction éventuelle du temps de cuisson
Rôtissage par convection	Temps de cuisson réduit jusqu'à 30%
Cuisson au gril par convection	Raccourcissement du temps de cuisson

Lorsque l'on utilise les modes de cuisson au four par convection automatique, le four ajuste automatiquement la durée et la température pour le mode sélectionné.

Modes de cuisson par convection

Modes de cuisson au four par convection manuelle :

Cuisson au four par convection : cuisson au four sur plusieurs grilles de biscuits, pains, plats en sauce, tartes, tourtes et gâteaux

Rôtissage par convection : poulets ou dindes entiers, légumes, rôtis de porc, rôtis de boeuf

Cuisson au gril par convection : morceaux plus épais ou inégaux de viande, de poisson ou de volaille

Modes de cuisson au four par convection automatique :

Viandes - Poulet : entier et en morceaux; pain de viande; rôtis : porc, boeuf, jambon

Produits de boulangerie - Biscuits, pains rapides, pains à la levure, gâteaux, biscuits, mets en sauce

Produits de boulangerie - Biscuits, pains rapides, pains à la levure, gâteaux, biscuits, mets en sauce

Levée du pain

La levée du pain prépare la pâte pour la cuisson en activant la levure. Suivre les instructions de la recette comme guide. La levée doit être utilisée pour les pâtes fraîches, les pâtes surgelées et pour la première et la deuxième levée.

Pour faire lever la pâte :

Avant la première levée de pain, placer la pâte dans un saladier légèrement graissé et couvrir sans serrer avec du papier ciré recouvert de shortening. Placer sur la glissière de grille 2 et fermer la porte du four.

REMARQUE : Si la température du four est supérieure à 120°F (49°C), "Oven Cooling" (refroidissement four) s'affiche jusqu'à ce que la température soit inférieure à 120°F (49°C).

1. Appuyer sur PROOF (levée du pain).

2. Appuyer sur START (mise en marche).

Laisser la pâte lever jusqu'à ce qu'elle ait presque doublé de volume. La durée de levée du pain peut varier en fonction du type de pâte et de la quantité.

3. Appuyer sur CANCEL UPPER (annulation du four supérieur) lorsque la levée est terminée.

Avant la seconde levée, mettre la pâte en forme, la placer sur la ou les plaques de cuisson et couvrir partiellement. Reprendre le même positionnement et vérifier que les étapes ci-dessus ont bien été suivies. Avant la cuisson au four, retirer la pellicule protectrice.

REMARQUE : Si la température du four est supérieure à 120°F (49°C), l'affichage indique "Oven Cooling" (refroidissement four) jusqu'à ce que la température soit inférieure à 120°F (49°C).

Recette favorite

La fonction Favorite (recette favorite) conserve le mode du four et la température de cuisson de votre recette favorite. La fonction Recette favorite peut être mémorisée pour le four supérieur seulement.

Pour sauvegarder une recette :

1. Lorsque l'on utilise le four pour la cuisson au four, la cuisson au gril, la cuisson au four par convection, la cuisson au gril par convection ou le rôtissage par convection, appuyer pendant 3 secondes sur FAVORITE (recette favorite).

2. Le mode de four, la durée de cuisson et la température actuels apparaissent sur l'afficheur "SAVED" (sauvegardé) s'affiche. La recette est désormais mémorisée.

REMARQUE : On ne peut sauvegarder qu'une recette à la fois. Quand une nouvelle recette est sauvegardée, elle remplace la recette précédemment sauvegardée.

Pour sélectionner la recette favorite :

1. Appuyer sur FAVORITE (recette favorite). Le mode de four et la température sauvegardés s'affichent.

REMARQUE : La fonction Recette favorite ne sauvegarde pas les durées de cuisson.

2. Appuyer sur START (mise en marche).

3. Une fois que la recette est sélectionnée, le four commence le préchauffage pour le programme réglé.

4. Pour modifier la température, appuyer sur les touches numériques pour régler la température souhaitée.

5. Appuyer sur START (mise en marche).

6. Pour modifier la durée de cuisson, appuyer sur COOK TIME (durée de cuisson).

7. Appuyer sur les touches numériques pour régler la durée de cuisson souhaitée.

8. Appuyer sur START (mise en marche).

9. Appuyer sur CANCEL (annulation) à la fin de la cuisson.

Durée de cuisson

⚠ AVERTISSEMENT

Risque d'empoisonnement alimentaire

Ne pas laisser des aliments dans un four plus d'une heure avant ou après la cuisson.

Le non-respect de cette instruction peut causer un empoisonnement alimentaire ou une maladie.

Réglage d'une cuisson minutée :

1. Appuyer sur BAKE (cuisson au four) ou BROIL (cuisson au gril) ou appuyer sur AUTO CONVECT MODES (modes de convection automatique) ou sur MANUAL CONVECT MODES (modes de convection manuelle) jusqu'à afficher le mode de convection souhaité sur l'affichage.
2. Appuyer sur les touches numériques pour entrer une température autre que celle qui est affichée.
3. Appuyer sur COOK TIME (durée de cuisson). Le témoin lumineux de la durée de cuisson du four s'allume.
4. Appuyer sur les touches numériques pour entrer la durée de cuisson.
5. Appuyer sur START (mise en marche). L'afficheur présente le compte à rebours de la durée. Lorsque la durée est écoulée, le four s'éteint automatiquement.
6. Appuyer sur CANCEL (annulation) pour le four désiré pour effacer l'afficheur.

Réglage d'une cuisson minutée différée :

1. Appuyer sur BAKE (cuisson au four) ou BROIL (cuisson au gril) ou appuyer sur AUTO CONVECT MODES (modes de convection automatique) ou sur MANUAL CONVECT MODES (modes de convection manuelle) jusqu'à afficher le mode de convection souhaité sur l'affichage.
2. Appuyer sur les touches numériques pour entrer une température autre que celle qui est affichée.
3. Appuyer sur COOK TIME (durée de cuisson). Le témoin lumineux de la durée de cuisson du four s'allume.
4. Appuyer sur les touches numériques pour entrer la durée de cuisson.
5. Appuyer sur DELAY START (mise en marche différée).
6. Appuyer sur les touches numériques pour entrer le nombre d'heures et/ou de minutes dont on souhaite différer l'heure de mise en marche.
7. Appuyer sur START (mise en marche).

Lorsque l'heure de mise en marche est atteinte, le four s'allume automatiquement. Il est possible de modifier les réglages de température et/ou d'heure à tout moment après avoir mis en marche le four en répétant les étapes 2 à 4. Lorsque la durée de cuisson réglée est écoulée, le four s'éteint automatiquement.

8. Appuyer sur CANCEL (annulation) pour le four désiré pour effacer l'afficheur.

Tiroir de cuisson

⚠ AVERTISSEMENT

Risque d'empoisonnement alimentaire

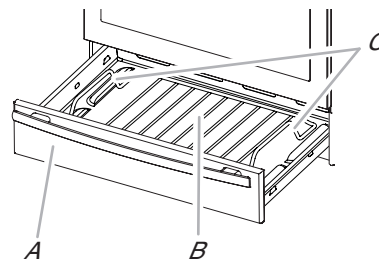
Ne pas laisser des aliments dans un four plus d'une heure avant ou après la cuisson.

Le non-respect de cette instruction peut causer un empoisonnement alimentaire ou une maladie.

L'usage du tiroir de cuisson est hautement recommandé pour cuire les aliments surgelés au four. Régler la température et la durée de cuisson moyenne indiquées sur l'emballage de l'aliment surgelé. Par exemple, si l'emballage recommande une durée de cuisson de 15 à 20 minutes, régler la durée de cuisson sur 17 minutes. Contrôler le degré de cuisson des aliments avant de les retirer du tiroir de cuisson.

Le tiroir de cuisson peut également être utilisé pour la cuisson au four conventionnelle, la cuisson lente et pour maintenir au chaud les aliments cuits. Il n'est pas recommandé de préparer dans le tiroir de cuisson des aliments dont la hauteur dépasse les poignées de la grille du tiroir de cuisson, ou encore des aliments susceptibles de lever à une hauteur supérieure à 2 1/2" (6,4 cm).

IMPORTANT : Toujours utiliser la grille du tiroir de cuisson lorsque l'on se sert du tiroir de cuisson.



A. Tiroir de cuisson
B. Grille du tiroir de cuisson
C. Poignées de la grille du tiroir de cuisson

Voir la section "Nettoyage général" pour plus de renseignements.

Cuisson avec le tiroir de cuisson :

1. Appuyer sur LOWER OVEN BAKE (cuisson au four inférieur).
2. Régler la température souhaitée entre 170°F et 451°F (75°C et 233°C) en utilisant les touches numériques. La température par défaut est de 350°F (180°C).
3. Appuyer sur START (mise en marche).
4. Pour modifier la température, répéter les étapes 2 et 3.
5. Appuyer sur CANCEL LOWER (annulation four inférieur) après avoir terminé.
6. Retirer les aliments du tiroir.

Maintien au chaud avec le tiroir de cuisson :

Les aliments doivent être à la température de service avant d'être placés dans le tiroir chaud.

1. Placer les aliments dans le tiroir de cuisson.
2. Appuyer sur LOWER OVEN KEEP WARM (maintien au chaud four inférieur).
3. Régler la température souhaitée entre 145°F et 190°F (63°C et 88°C) en utilisant les touches numériques. La température par défaut est de 170°F (75°C).
4. Appuyer sur START (mise en marche).
5. Appuyer sur CANCEL LOWER (annulation four inférieur) après avoir terminé.
6. Retirer les aliments du tiroir de cuisson.

Lampe du four

La lampe du four est une ampoule standard de 40 watts pour appareil électroménager. Avant le remplacement, s'assurer que le four et la table de cuisson sont froids et que les boutons de commande sont à la position OFF (d'arrêt).

Remplacement :

1. Débrancher la cuisinière ou déconnecter la source de courant électrique.
2. Tourner le protège-ampoule en verre à l'arrière du four dans le sens antihoraire et l'enlever.
3. Tourner l'ampoule dans le sens antihoraire pour l'enlever de la douille.
4. Remplacer l'ampoule en la tournant dans le sens horaire.
5. Remplacer le protège-ampoule en le tournant dans le sens horaire.
6. Brancher la cuisinière ou reconnecter la source de courant électrique.

Programme de nettoyage

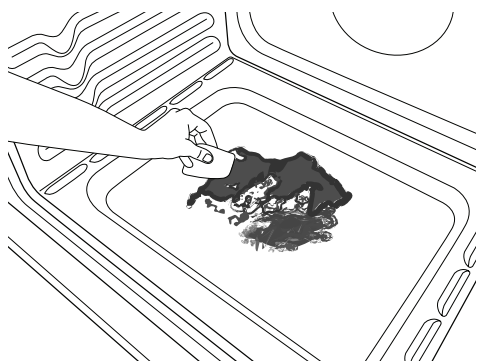
AquaLift® Self-Cleaning Technology

La technologie AquaLift® est une solution de nettoyage novatrice qui utilise la chaleur et l'eau pour débarrasser le four des produits renversés cuits en moins d'une heure. Cette nouvelle technologie de nettoyage est une alternative à basse température et sans odeurs aux options traditionnelles de nettoyage automatique.

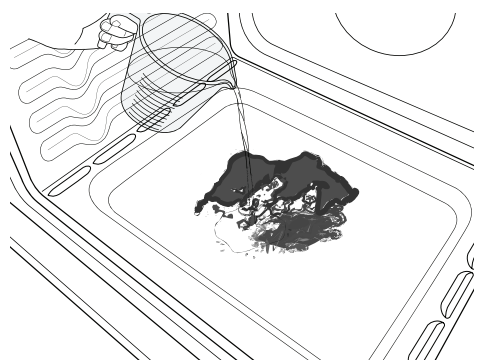
Laisser le four refroidir et atteindre la température ambiante avant d'utiliser le programme de nettoyage. Si la température de la cavité du four est supérieure à 200°F (93°C), "Oven Cooling" (refroidissement du four) apparaît sur l'afficheur et le programme de nettoyage ne s'activera pas avant que la cavité ait refroidi.

Nettoyage :

1. Retirer toutes les grilles et tous les accessoires de la cavité du four et essuyer l'excès de saleté. Utiliser une spatule en plastique pour enlever les saletés faciles à enlever.



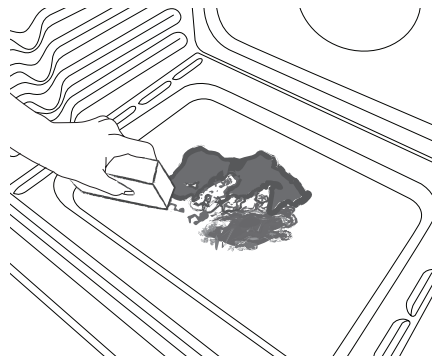
2. Verser 2 tasses (16 oz [500 mL]) d'eau distillée ou filtrée dans le fond du four vide et fermer la porte du four.



IMPORTANT : Ne pas utiliser des produits chimiques ou d'autres additifs avec l'eau. Ne pas ouvrir la porte du four au cours du programme de nettoyage. L'eau au fond du four est chaude.

3. Appuyer sur AQUALIFT SELF CLEAN (autonettoyage AQUALIFT) et ensuite sur START (mise en marche) sur le tableau de commande du four.
4. Accorder 40 minutes pour le nettoyage et le refroidissement. Un signal sonore vous avertit lorsque le programme de nettoyage est terminé.

5. Appuyer sur CANCEL UPPER (annulation du four supérieur) à la fin du programme. On peut appuyer sur Cancel Upper (annulation du four supérieur) à tout moment pour arrêter le programme de nettoyage.
6. Enlever l'eau résiduelle et les saletés délogées avec une éponge ou un chiffon immédiatement après la fin du programme de nettoyage. La plupart de l'eau initiale contenue dans 2 tasses (16 oz [500 mL]) restera dans le four après la fin du programme de nettoyage. S'il reste encore des saletés, laisser une petite quantité d'eau au fond du four pour aider le nettoyage.



7. S'il reste des saletés, les enlever avec une éponge à gratter non abrasive ou une spatule en plastique. Des programmes de nettoyage supplémentaires peuvent être lancés pour aider à se débarrasser des saletés tenaces.

IMPORTANT : Ne pas utiliser de nettoyeurs à four. L'utilisation de produits chimiques, y compris les nettoyeurs à four qu'on retrouve sur le marché, ou des tampons à récurer métalliques, pourrait causer des dommages permanents à la surface en porcelaine qui se trouve à l'intérieur du four.

REMARQUES :

- La cuisinière doit être d'aplomb de façon à s'assurer que la surface du fond de la cavité du four est couverte par l'eau au début du programme de nettoyage.
- Pour des résultats optimaux, utiliser de l'eau distillée ou filtrée. L'eau du robinet pourrait laisser des dépôts minéraux sur le fond du four.
- Avant d'enlever l'eau résiduelle et les saletés délogées à la fin du programme de nettoyage, insérer un chiffon ou un essuie-tout entre l'extrémité inférieure de la porte du four et l'avant du châssis, afin d'empêcher l'eau de se déverser sur le devant de la cuisinière et le plancher.
- Les saletés cuites suite à plusieurs programmes de cuisson seront plus difficiles à enlever avec le programme de nettoyage.
- Les éponges à gratter non abrasives ou les tampons nettoyeurs en gomme (sans nettoyeurs) peuvent être efficaces pour le nettoyage des parois de la cavité du four, de la porte du four et du fond du four pour les saletés difficiles. Pour de meilleurs résultats, mouiller les tampons et les éponges avant de les utiliser.
- Exécuter un programme de nettoyage supplémentaire pour les saletés tenaces.

- Le nettoyant pour appareils ménagers de cuisine affresh® et le nettoyant pour table de cuisson affresh® peuvent être utilisés pour nettoyer le fond du four, ses parois et sa porte lorsque le four a terminé le programme de nettoyage et que sa température est redevenue ambiante. Si l'on utilise le nettoyant pour table de cuisson affresh®, il est recommandé d'essuyer aussi la cavité avec de l'eau distillée. Consulter la section "Accessoires" pour obtenir des renseignements sur la commande.
- Des ensembles de nettoyage à technologie AquaLift® supplémentaires peuvent être obtenus en commandant la pièce numéro W10423113RP. Voir la section "Accessoires" pour plus d'informations.
- Pour obtenir de l'aide concernant la technologie AquaLift®, appeler 1-877-258-0808 aux É.-U. ou 1-800-807-6777 au Canada, ou visiter notre site Web <http://whirlpoolcorp.com/aqualift>.

Nettoyage général

IMPORTANT : Avant le nettoyage, s'assurer que toutes les commandes sont éteintes et que le four et la table de cuisson sont froids. Toujours suivre les instructions figurant sur les étiquettes des produits de nettoyage. Pour plus d'informations, visiter notre site Web à l'adresse www.jennair.com. Au Canada, visiter notre site Web à l'adresse www.jennair.ca.

Du savon, de l'eau et un chiffon doux ou une éponge sont recommandés, à moins d'indications contraires.

SURFACES EXTÉRIEURES ÉMAILLÉES (sur certains modèles)

Les éclaboussures alimentaires acides, comme du vinaigre et de la tomate, doivent être nettoyés dès que la cuisinière a refroidi. Ces salissures peuvent endommager le fini.

Méthode de nettoyage :

- Nettoyant à vitre, nettoyant doux liquide ou tampon à récurer non abrasif :
Nettoyer doucement autour de la plaque signalétique car le frottement pourrait en effacer les chiffres.
- Nettoyant pour cuisine et appareils ménagers affresh® référence W10355010 (non fourni) :
Voir la section "Accessoires" pour plus de renseignements.

ACIER INOXYDABLE (sur certains modèles)

REMARQUE : Afin d'éviter d'endommager les surfaces en acier inoxydable, ne pas utiliser de tampons à récurer savonneux, de nettoyants abrasifs, de crème à polir pour table de cuisson, de tampons en laine d'acier, de chiffons de lavage rêches ou d'essuie-tout abrasifs. Ils peuvent endommager les surfaces en acier inoxydable, même après usage unique ou limité.

Méthode de nettoyage :

Frotter dans la direction du grain pour éviter les dommages.

- Nettoyant pour acier inoxydable affresh® référence W10355016 (non fourni) :
Voir la section "Accessoires" pour plus de renseignements.

PEINTURE MÉTALLIQUE (sur certains modèles)

Ne pas utiliser de nettoyants abrasifs, de nettoyants avec agent de blanchiment, de produits antirouille, d'ammoniaque ou d'hydroxyde de sodium (soude), car la surface peinte pourrait se tacher.

GRILLES ET CHAPEAUX ÉMAILLÉS

Les renversements d'aliments contenant des produits acides, tels que vinaigre et tomates, doivent être nettoyés dès que la table de cuisson, les grilles et les chapeaux ont refroidi. Ces salissures peuvent endommager le fini.

Pour éviter l'écaillage, ne pas entrechoquer les grilles et les chapeaux ni les frapper contre des surfaces dures telles que les ustensiles en fonte.

Ne pas réinstaller les chapeaux sur les brûleurs lorsqu'ils sont mouillés.

Méthode de nettoyage :

- Ustensile de récurage en plastique non abrasif et nettoyant légèrement abrasif :
Nettoyer dès que la table de cuisson, les grilles et les chapeaux ont refroidi.
- Lave-vaisselle (les grilles seulement et non les chapeaux) :
Utiliser le programme le plus intensif. Les saletés cuites doivent être trempées ou frottées avant d'être placées au lave-vaisselle.
Bien que les grilles de brûleurs soient durables, elles perdront progressivement de leur lustre et (ou) se décoloreront lorsqu'on les lave au lave-vaisselle.
- Nettoyant pour grille et plateau d'égouttement pour installation à gaz – Pièce n° 31617 (non fournie) :
Voir la section "Accessoires" pour plus de renseignements.

BRÛLEURS DE SURFACE

Les renversements d'aliments contenant des produits acides, tels que vinaigre et tomates, doivent être nettoyés dès que la table de cuisson, les grilles et les chapeaux ont refroidi. Ces salissures peuvent endommager le fini.

Pour éviter l'écaillage, ne pas entrechoquer les grilles et les chapeaux ni les frapper contre des surfaces dures telles que les ustensiles en fonte.

Ne pas réinstaller les chapeaux sur les brûleurs lorsqu'ils sont mouillés.

Ne pas utiliser le programme d'autonettoyage pour les nettoyer.

Ne pas nettoyer au lave-vaisselle.

Méthode de nettoyage :

- Ustensile de récurage en plastique non abrasif et nettoyant légèrement abrasif :
Nettoyer dès que la table de cuisson, les grilles, les brûleurs et les chapeaux ont refroidi.
- Nettoyant pour plateau d'égouttement et grille de cuisinière à gaz (non fourni).

COMMANDES DE LA TABLE DE CUISSON

Afin d'éviter d'endommager les commandes de la table de cuisson, ne pas utiliser de laine d'acier, de nettoyants abrasifs ou de nettoyant pour four.

Afin d'éviter toute détérioration, ne pas laisser tremper les boutons de commande. Lors de la réinstallation des boutons, s'assurer que chaque bouton est à la position Off (arrêt).

Sur certains modèles, ne pas enlever les joints sous les boutons.

Méthode de nettoyage :

- Savon et eau :
Tirer les boutons en ligne droite hors du tableau de commande pour les enlever.

PLAQUE À FRIRE

Pour éviter d'endommager la surface antiadhésive, ne pas utiliser un tampon de laine d'acier ou des nettoyeurs abrasifs.

Méthode de nettoyage :

- Détergent doux
- Lave-vaisselle :
Bien que les grilles de brûleurs soient durables, elles perdront progressivement de leur lustre et (ou) se décoloreront lorsqu'on les lave au lave-vaisselle.

TABLEAU DE COMMANDE ET EXTÉRIEUR DE LA PORTE DU FOUR

Afin d'éviter d'endommager le tableau de commande, ne pas utiliser de nettoyeurs abrasifs, de tampons en laine d'acier, de chiffons de lavage rêches ou d'essuie-tout abrasifs.

Méthode de nettoyage :

- Nettoyant à vitre et chiffon doux ou éponge :
Appliquer le nettoyant à vitre sur un chiffon doux ou une éponge, et non directement sur le tableau.
- Nettoyant pour cuisine et appareils ménagers affresh® référence W10355010 (non fourni) :
Voir la section "Accessoires" pour plus de renseignements.

GRILLES DU FOUR

Méthode de nettoyage :

- Tampon en laine d'acier
- Pour les grilles ternies qui glissent difficilement, enduire légèrement les glissières d'huile végétale; cela facilitera leur glissement.
- Lave-vaisselle (réservoir d'eau de la grille d'étuvage uniquement; la grille d'étuvage n'est pas lavable au lave-vaisselle) :
Bien que le réservoir soit durable, il perdra progressivement de son lustre et/ou se décolorera lorsqu'on le lave au lave-vaisselle.

TIROIR DE CUISSON

S'assurer que le tiroir de cuisson est froid et vide avant le nettoyage.

Les éclaboussures alimentaires doivent être nettoyées lorsque le four a refroidi. À haute température, les aliments réagissent avec l'émail et peuvent provoquer la formation de taches, une attaque acide, des piqûres ou des décolorations blanchâtres.

Méthode de nettoyage :

- Détergent doux

CAVITÉ DU FOUR

Utiliser régulièrement la technologie AquaLift® pour nettoyer les éclaboussures dans le four.

Ne pas utiliser de nettoyeurs à four.

Les éclaboussures alimentaires doivent être nettoyées lorsque le four a refroidi. À haute température, les aliments réagissent avec l'émail et peuvent provoquer la formation de taches, une attaque acide, des piqûres ou des décolorations blanchâtres.

Méthode de nettoyage :

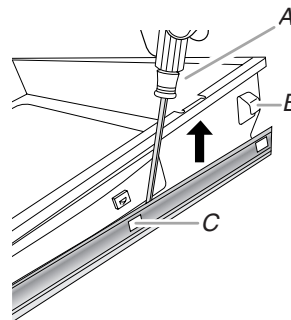
- Programme de nettoyage :
Voir d'abord la section "Programme de nettoyage".

Dépose et réinstallation du tiroir

Enlever tous les articles de l'intérieur du tiroir de cuisson au four ou tiroir de remisage de qualité supérieure et laisser la cuisinière refroidir complètement avant d'essayer d'enlever le tiroir.

Dépose :

1. Ouvrir complètement le tiroir.
2. À l'aide d'un tournevis à lame plate, desserrer doucement le tiroir pour le dégager de l'encoche d'alignement de glissière et soulever l'onglet d'alignement du tiroir pour le dégager de la glissière.

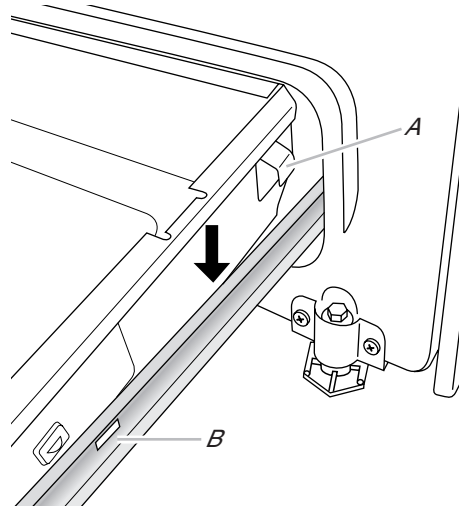


A. Tournevis à lame plate
B. Onglet d'alignement du tiroir
C. Encoche de glissière du tiroir

3. Répéter l'étape 2 pour l'autre côté. Le tiroir n'est plus fixé aux glissières de tiroir. Avec les deux mains, saisir le tiroir pour le retirer complètement.

Réinstallation :

1. Aligner les encoches de l'avant du tiroir avec les encoches des glissières latérales à l'intérieur du tiroir (de chaque côté). Placer les onglets d'alignement arrière dans les glissières de tiroir (de chaque côté).



A. Onglet d'alignement du tiroir
B. Encoche de glissière du tiroir

2. Pousser le tiroir complètement.
3. Ouvrir et fermer délicatement le tiroir pour s'assurer qu'il est bien engagé dans les glissières (de chaque côté).

Dépannage

Essayer d'abord les solutions suggérées ici. Pour obtenir de l'aide ou des conseils qui permettront peut-être d'éviter une intervention de dépannage, consulter la page de garantie de ce manuel et scanner le code QR avec votre appareil mobile, ou visiter le site Internet <http://jennair.custhelp.com>. Au Canada, visiter le site Internet <http://www.jennair.ca>.

Vous pouvez adresser tous commentaires ou questions par courrier à l'adresse ci-dessous :

Aux États-Unis :

Jenn-Air Brand Home Appliances
Customer eXperience Center
553 Benson Road
Benton Harbor, MI 49022-2692

Au Canada :

Jenn-Air Brand Home Appliances
Customer eXperience Centre
200 - 6750 Century Ave.
Mississauga, Ontario L5N 0B7

Veuillez indiquer dans votre correspondance un numéro de téléphone où l'on peut vous joindre dans la journée.

Problème	Causes et/ou solutions possibles
Rien ne fonctionne	<p>Cordon d'alimentation électrique débranché : Le brancher à une prise secteur reliée à la terre.</p> <p>Le mode ENERGY SAVE est actif et l'affichage est vide : Appuyer sur une touche quelconque du tableau de commande pour afficher l'heure. Voir la section "Commandes électroniques du four".</p> <p>Un fusible du domicile est grillé ou un disjoncteur s'est ouvert : Remplacer le fusible ou réarmer le disjoncteur. Si le problème persiste, appeler un électricien.</p> <p>Le tableau de commande de la cuisinière affiche le code d'erreur F9 ou F9 E0 : Le câblage de la prise électrique du domicile peut être défectueux. Demander à un électricien qualifié d'inspecter le circuit d'alimentation électrique.</p>
Les brûleurs de surface ne fonctionnent pas	<p>Le bouton de commande n'est pas correctement engagé - Appuyer sur le bouton avant de le tourner à un réglage donné.</p> <p>Présence d'air dans les conduites de gaz - Si c'est la première fois que les brûleurs de surface sont utilisés, allumer n'importe quel bouton de brûleur de surface afin de libérer l'air présent dans les canalisations.</p> <p>Orifices de brûleurs obstrués - Voir la section "Brûleurs de surface scellés".</p>
Les flammes des brûleurs de surface ne sont pas uniformes, sont de teinte jaune et/ou sont bruyantes	<p>Orifices de brûleurs obstrués : Voir la section "Brûleurs de surface scellés".</p> <p>Chapeaux de brûleurs mal positionnés : Voir la section "Brûleurs de surface scellés".</p> <p>Conversion inappropriée de la cuisinière : Si l'on utilise du gaz propane, contacter un technicien de service ou consulter la section "Garantie" pour des renseignements de contact.</p>
Chaleur excessive autour des ustensiles de cuisson sur la table de cuisson	<p>Les ustensiles de cuisson ne correspondent pas à la flamme - Les ustensiles de cuisson doivent être centrés au-dessus du brûleur tout en étant posés à l'horizontale au fond sur la grille. La flamme doit être réglée de sorte qu'elle ne s'étende pas sur les côtés du plat.</p>
La cuisson ne produit pas les résultats prévus	<p>Ustensiles de cuisson inappropriés - Les ustensiles de cuisson idéals doivent avoir un fond plat, des parois droites, un couvercle qui ferme hermétiquement et le matériau doit être d'épaisseur moyenne à forte.</p> <p>Le bouton de commande est réglé sur une puissance de chauffe incorrecte - Voir la section "Utilisation de la table de cuisson".</p> <p>La cuisinière n'est pas d'aplomb - Régler l'aplomb de la cuisinière. Voir les Instructions d'installation.</p>
Le four ne fonctionne pas	<p>La mise en marche différée est activée : Voir la section "Durée de cuisson".</p> <p>Les commandes sont verrouillées : Appuyer sur la touche START (mise en marche) pendant 3 secondes pour les déverrouiller.</p> <p>La cuisinière est en mode démonstration : Le mode démonstration désactivera tous les éléments chauffants. Voir "Mode de démonstration" dans la section "Commandes électroniques du four".</p> <p>Réglage incorrect des commandes électroniques du four : Voir la section "Commandes électroniques du four".</p>
La température du four est trop élevée ou trop basse	<p>La température du four doit être ajustée : Voir "Commande de température du four" dans la section "Commandes électroniques du four".</p>

Problème	Causes et/ou solutions possibles
Des messages s'affichent	<p>Panne de courant (l'afficheur indique une heure clignotante) : Effacer l'affichage. Sur certains modèles, régler de nouveau l'horloge au besoin. Voir la caractéristique de touche "Clock" (horloge) à la section "Guide des caractéristiques".</p> <p>Code d'erreur (l'afficheur indique une lettre suivie d'un numéro) : Selon le modèle, appuyer sur CANCEL (annulation) pour effacer l'affichage. Voir "Affichage de commande" dans la section "Commandes électroniques du four". S'il réapparaît, appeler le service de dépannage. Voir la section "Garantie" pour des renseignements de contact.</p> <p>Il faut appuyer sur la touche Start (mise en marche) pour démarrer un programme (l'afficheur indique "PUSH" ou "PSH" [appuyer]) : Voir la fonction de la touche "Start (mise en marche)" dans la section "Guide des caractéristiques".</p> <p>La cuisinière est en mode Sabbath (l'afficheur indique "SAb") : Appuyer sur CANCEL (annulation) pour quitter le mode Sabbath.</p>
Le programme de nettoyage n'a pas éliminé toutes les salissures	<p>Plusieurs programmes de cuisson entre les programmes de nettoyage, ou éclaboussures sur les parois et la porte du four : Lancer des programmes de nettoyage supplémentaires. Utiliser le nécessaire de nettoyage à technologie Aqualift®. Pour les salissures tenaces, utiliser le nettoyant pour cuisine et appareils ménagers affresh® ou le nettoyant pour table de cuisson affresh®. Voir la section "Accessoires" et "Programme de nettoyage" pour plus de renseignements.</p>
Des dépôts minéraux se forment au fond du four après le programme de nettoyage	<p>Le programme de nettoyage a été effectué avec de l'eau du robinet : Utiliser de l'eau distillée ou filtrée pour le programme de nettoyage.</p> <p>Utiliser un chiffon imbibé de vinaigre pour enlever les dépôts. Utiliser ensuite un chiffon humide pour enlever complètement tout résidu de vinaigre.</p> <p>La cuisinière n'est pas d'aplomb : Les dépôts minéraux s'accumulent sur les surfaces sèches du fond du four durant le programme de nettoyage. Régler l'aplomb de la cuisinière. Voir les Instructions d'installation.</p> <p>Utiliser un chiffon imbibé de vinaigre pour enlever les dépôts. Utiliser ensuite un chiffon humide pour enlever complètement tout résidu de vinaigre.</p>
La cuisson au four ne produit pas les résultats prévus	<p>La cuisinière n'est pas d'aplomb : Régler l'aplomb de la cuisinière. Voir les instructions d'installation.</p> <p>Le réglage de la température était incorrect : Revérifier la recette dans un livre de cuisine fiable.</p> <p>La température du four doit être ajustée : Voir "Commande de température du four" dans la section "Commandes électroniques du four".</p> <p>Le four n'a pas été préchauffé : Voir la section "Cuisson au four et rôtissage".</p> <p>Les grilles n'étaient pas placées correctement : Voir la section "Positionnement des grilles et ustensiles de cuisson au four".</p> <p>Circulation d'air déficiente autour des ustensiles de cuisson : Voir la section "Positionnement des grilles et ustensiles de cuisson au four".</p> <p>Brunissement excessif des aliments causé par un plat à four terne ou foncé : Diminuer la température du four de 25°F (15°C) ou placer la grille plus haut dans le four.</p> <p>Brunissement insuffisant des aliments causé par un plat à four brillant ou clair : Placer la grille plus bas dans le four.</p> <p>Répartition irrégulière de la pâte dans le plat : Vérifier que la pâte est répartie uniformément dans le plat.</p> <p>Durée de cuisson incorrecte : Revoir la durée de cuisson.</p> <p>Porte du four non fermée : Vérifier que le plat à four n'empêche pas la fermeture de la porte.</p> <p>La porte du four a été ouverte durant la cuisson : L'ouverture de la porte pour vérifier la cuisson laisse échapper la chaleur du four et peut allonger la durée de cuisson.</p> <p>La grille est trop proche du brûleur de cuisson au four, ce qui brunit trop le fond des aliments cuits au four : Placer la grille plus haut dans le four.</p> <p>Les croûtes des tartes brunissent trop vite : Recouvrir de papier d'aluminium le périmètre de la croûte et/ou réduire la température de cuisson du four.</p>

Bruits

Problème	Causes et/ou solutions possibles
Le brûleur de surface émet des bruits d'éclatement	<p>Brûleur mouillé : Laisser au brûleur le temps de sécher.</p>

Aux É.-U., pour les accessoires, consulter notre site Web www.jennair.com ou nous contacter au **1-800-JENNAIR (1-800-536-6247)**.
Au Canada, consulter notre site Web www.jennair.ca ou appelez-nous au **1-800-JENNAIR (1-800-536-6247)**.

Ensemble d'entretien de la table de cuisson

(modèles avec vitrocéramique)
(comprend le nettoyeur, le protecteur, son applicateur, le grattoir et les tampons à nettoyer)
Commander la pièce numéro 31605

Protecteur de table de cuisson

(modèles avec vitrocéramique)
Commander la pièce numéro 31463A

Chiffons pour acier inoxydable affresh®

(modèles en acier inoxydable)
Commander la pièce numéro W10355049

Nettoyant pour table de cuisson affresh®

(modèles avec vitrocéramique)
Commander la pièce numéro W10355051

Tampons à nettoyer les tables de cuisson

(modèles avec vitrocéramique)
Commander la pièce numéro W10391473

Nettoyant pour acier inoxydable affresh®

(modèles en acier inoxydable)
Commander la pièce numéro W10355016

Nettoyant pour cuisine et appareils électroménagers affresh®

Commander la pièce numéro W10355010

Ensemble de nettoyage pour four à technologie AquaLift®

Commander la pièce numéro W10423113RP

Grattoir pour table de cuisson

(modèles avec vitrocéramique)
Commander la pièce numéro WA906B

Nettoyant et poli pour granite

Commander la pièce numéro W10275756

Nettoyant pour plateau d'égouttement et grille de cuisinière à gaz

Commander la pièce numéro 31617A

Plaque à frire Gourmet

Commander la pièce numéro W10432539

Grille de four plate service intense

Commander la pièce numéro W10554005

Grille de four en deux pièces

Commander la pièce numéro 4396927

Grille à capacité maximale service intense

Commander la pièce numéro W10554006

Grille de four déployante

Commander la pièce numéro W10554008

Lèchefrite et grille en porcelaine

Commander la pièce numéro 4396923

Lèchefrite et grille de rôtissage de qualité supérieure

Commander la pièce numéro W10123240

Jeu de garnitures

$\frac{5}{8}$ " (1,7 cm) Blanc - Commander la pièce numéro W10675027

$\frac{5}{8}$ " (1,7 cm) Noir - Commander la pièce numéro W10675026

$\frac{5}{8}$ " (1,7 cm) Acier inoxydable - Commander la pièce numéro W10675028

$1\frac{1}{8}$ " (2,9 cm) Blanc - Commander la pièce numéro W10731885

$1\frac{1}{8}$ " (2,9 cm) Noir - Commander la pièce numéro W10731886

$1\frac{1}{8}$ " (2,9 cm) Acier inoxydable - Commander la pièce numéro W10731887

Panneau anti-éclaboussures

Blanc - Commander la pièce numéro W10655448

Noir - Commander la pièce numéro W10655449

Acier inoxydable - Commander la pièce numéro W10655450

Ensemble grill

Commander la pièce numéro W10432545

GARANTIE LIMITÉE DES GROS APPAREILS MÉNAGERS JENN-AIR®

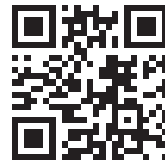
ATTACHEZ ICI VOTRE REÇU DE VENTE. UNE PREUVE D'ACHAT EST OBLIGATOIRE POUR OBTENIR L'APPLICATION DE LA GARANTIE.

Lorsque vous appelez le centre d'eXpérience de la clientèle, veuillez garder à disposition les renseignements suivants :

- Nom, adresse et numéro de téléphone
- Numéros de modèle et de série
- Une description claire et détaillée du problème rencontré
- Une preuve d'achat incluant le nom et l'adresse du marchand ou du détaillant

SI VOUS AVEZ BESOIN DE SERVICE :

1. Avant de nous contacter pour obtenir un dépannage, veuillez déterminer si des réparations sont nécessaires pour votre produit. Certains problèmes peuvent être résolus sans intervention de dépannage. Prenez quelques minutes pour parcourir la section Dépannage ou Résolution de problèmes du guide d'utilisation et d'entretien, scannez le code QR ci-contre avec votre téléphone intelligent pour accéder à des ressources supplémentaires, ou rendez-vous sur le site <https://www.jennair.ca>.
2. Tout service sous garantie doit être effectué exclusivement par nos fournisseurs de dépannage autorisés Jenn-Air. Aux E.-U. et au Canada, dirigez toutes vos demandes de service sous garantie au



<https://www.jennair.ca>

**Centre d'eXpérience de la clientèle Jenn-Air
1-800-JENNAIR (1-800-536-6247).**

Si vous résidez à l'extérieur du Canada et des 50 États des États-Unis, contactez votre marchand Jenn-Air autorisé pour déterminer si une autre garantie s'applique.

GARANTIE LIMITÉE DE DEUX ANS

CE QUI EST COUVERT

Pendant deux ans à compter de la date d'achat, lorsque ce gros appareil ménager est installé, utilisé et entretenu conformément aux instructions jointes à ou fournies avec le produit, la marque Jenn-Air de Whirlpool Corporation ou Whirlpool Canada, LP (ci-après désignées "Jenn-Air") décidera à sa seule discrétion de remplacer le produit ou de couvrir le coût des pièces spécifiées par l'usine et de la main-d'œuvre nécessaires pour corriger les vices de matériaux ou de fabrication qui existaient déjà lorsque ce gros appareil ménager a été acheté. S'il est remplacé, l'appareil sera couvert pour la période restant à courir de la garantie limitée d'un an du produit d'origine.

LE SEUL ET EXCLUSIF RECOURS DU CLIENT DANS LE CADRE DE LA PRÉSENTE GARANTIE LIMITÉE CONSISTE EN LA RÉPARATION PRÉVUE PAR LA PRÉSENTE. Le service doit être fourni par une compagnie de service désignée par Jenn-Air. Cette garantie limitée est valide uniquement aux États-Unis ou au Canada et s'applique exclusivement lorsque le gros appareil ménager est utilisé dans le pays où il a été acheté. La présente garantie limitée est valable à compter de la date d'achat initial par le consommateur. Une preuve de la date d'achat initial est exigée pour obtenir un dépannage dans le cadre de la présente garantie limitée.

CE QUI N'EST PAS COUVERT

1. Usage commercial, non résidentiel ou par plusieurs familles, ou non-respect des instructions de l'utilisateur, de l'opérateur ou des instructions d'installation.
2. Visite d'instruction à domicile pour montrer à l'utilisateur comment utiliser l'appareil.
3. Visites de service pour rectifier une installation ou un entretien fautifs du produit, une installation non conforme aux codes d'électricité ou de plomberie, ou la rectification de l'installation électrique ou de la plomberie du domicile (ex : câblage électrique, fusibles ou tuyaux d'arrivée d'eau du domicile).
4. Pièces consommables (ex : ampoules, batteries, filtres à air ou à eau, solutions de conservation, etc.).
5. Défauts ou dommage résultant de l'utilisation de pièces ou accessoires Jenn-Air non authentiques.
6. Conversion de votre produit du gaz naturel ou du gaz de pétrole liquéfié.
7. Dommages causés par : accident, mésusage, abus, incendie, inondations, catastrophe naturelle ou l'utilisation de produits non approuvés par Jenn-Air.
8. Réparations aux pièces ou systèmes dans le but de rectifier un dommage ou des défauts résultant d'une réparation, altération ou modification non autorisée faite à l'appareil.
9. Défauts d'apparence, notamment les éraflures, traces de choc, fissures ou tout autre dommage causés au fini de l'appareil ménager, à moins que ces dommages ne résultent de vices de matériaux ou de fabrication et ne soient signalés à Jenn-Air dans les 30 jours suivant la date d'achat.
10. Décoloration, rouille ou oxydation des surfaces résultant d'environnements caustiques ou corrosifs incluant des concentrations élevées de sel, un haut degré d'humidité ou une exposition à des produits chimiques.
11. Perte d'aliments ou de médicaments due à la défaillance du produit.
12. Enlèvement ou livraison. Ce produit est conçu pour être réparé au domicile.
13. Frais de déplacement et de transport pour le dépannage/la réparation dans une région éloignée où une compagnie de service Jenn-Air autorisée n'est pas disponible.
14. Retrait ou réinstallation d'appareils inaccessibles ou de dispositifs préinstallés (ex : garnitures, panneaux décoratifs, plancher, meubles, îlots de cuisine, plans de travail, panneaux de gypse, etc.) qui entravent le dépannage, le retrait ou le remplacement du produit.
15. Service et pièces pour des appareils dont les numéros de série et de modèle originaux ont été enlevés, modifiés ou ne peuvent pas être facilement identifiés.

Le coût d'une réparation ou d'un remplacement dans le cadre de ces circonstances exclues est à la charge du client.

CLAUSE D'EXONÉRATION DE RESPONSABILITÉ AU TITRE DES GARANTIES IMPLICITES

LES GARANTIES IMPLICITES, Y COMPRIS LES GARANTIES APPLICABLES DE QUALITÉ MARCHANDE OU D'APTITUDE À UN USAGE PARTICULIER, SONT LIMITÉES À UN AN OU À LA PLUS COURTE PÉRIODE AUTORISÉE PAR LA LOI. Certains États et provinces ne permettent pas de limitation sur la durée des garanties implicites de qualité marchande ou d'aptitude à un usage particulier, de sorte que la limitation ci-dessus peut ne pas être applicable dans votre cas. Cette garantie vous confère des droits juridiques spécifiques et vous pouvez également jouir d'autres droits qui peuvent varier d'une juridiction à l'autre.

EXONÉRATION DE RESPONSABILITÉ DANS LES DOMAINES NON COUVERTS PAR LA GARANTIE

Jenn-Air décline toute responsabilité au titre de la qualité, de la durabilité ou en cas de dépannage ou de réparation nécessaire sur ce gros appareil ménager autre que les responsabilités énoncées dans la présente garantie. Si vous souhaitez une garantie plus étendue ou plus complète que la garantie limitée fournie avec ce gros appareil ménager, adressez-vous à Jenn-Air ou à votre détaillant pour obtenir les modalités d'achat d'une garantie étendue.

LIMITATION DES RECOURS; EXCLUSION DES DOMMAGES FORTUITS OU INDIRECTS

LE SEUL ET EXCLUSIF RECOURS DU CLIENT DANS LE CADRE DE LA PRÉSENTE GARANTIE LIMITÉE CONSISTE EN LA RÉPARATION PRÉVUE PAR LA PRÉSENTE. JENN-AIR N'ASSUME AUCUNE RESPONSABILITÉ POUR LES DOMMAGES FORTUITS OU INDIRECTS. Certains États et certaines provinces ne permettent pas l'exclusion ou la limitation des dommages fortuits ou indirects de sorte que ces limitations et exclusions peuvent ne pas être applicables dans votre cas. Cette garantie vous confère des droits juridiques spécifiques et vous pouvez également jouir d'autres droits qui peuvent varier d'une juridiction à l'autre.