

JENN-AIR® 30" (76.2 cm) SLIDE-IN DUAL FUEL RANGES

PRODUCT MODEL NUMBERS

JDS8850CD

ELECTRICAL REQUIREMENTS

To properly install your range, you must determine the type of electrical connection you will be using and follow the instructions provided for it here.

- Range must be connected to the proper electrical voltage and frequency as specified on the model/serial number rating plate. The model/serial number rating plate is located behind the control panel or on the oven frame behind the storage drawer panel. Refer to the figures in the "Product Dimensions" section of the "Location Requirements" section.
- This range is manufactured with a 4-wire 40-amp power cord. For a 3-wire connection, order UL listed power cord Part Number 74011285.

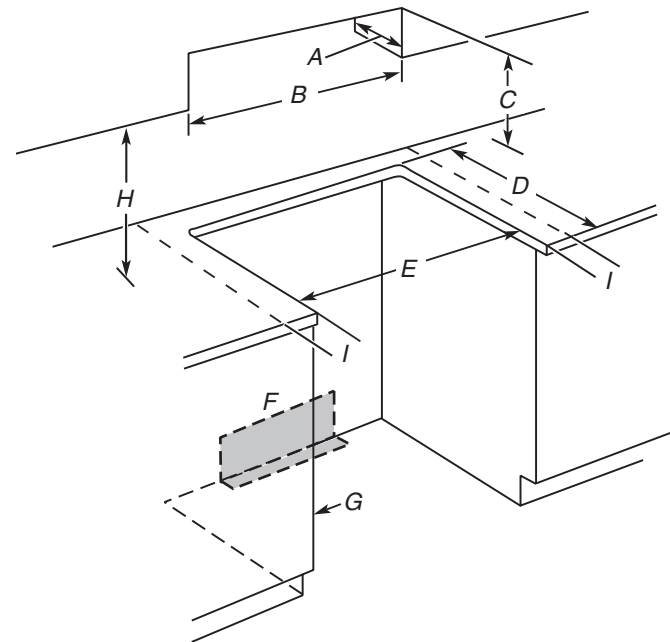
Range Rating*	Specified Rating of Power Supply Cord Kit and Circuit Protection	
120/240 Volts	120/208 Volts	Amps
8.8 - 16.5 KW	7.8 - 12.5 KW	40 or 50**
16.6 - 22.5 KW	12.6 - 18.5 KW	50

*The NEC calculated load is less than the total connected load listed on the model/serial rating plate.

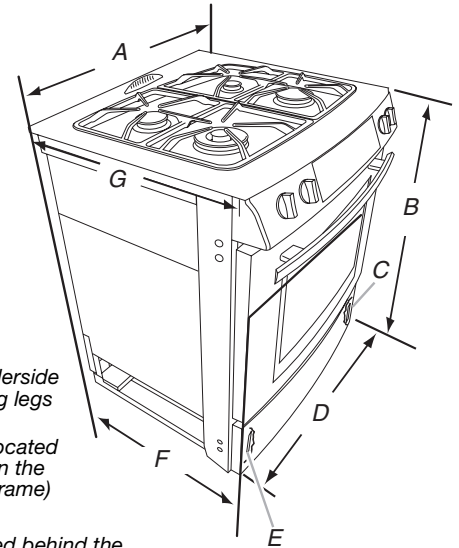
**If connecting to a 50-amp circuit, use a 50-amp rated cord with kit. For 50-amp rated cord kits, use kits that specify use with a nominal 1 $\frac{3}{8}$ " (34.9 mm) diameter connection opening.

- A circuit breaker is recommended.
- Wire sizes and connections must conform with the rating of the range.

CABINET OPENING DIMENSIONS



PRODUCT DIMENSIONS



- A. 30 $\frac{3}{4}$ " (78.1 cm)
- B. 35 $\frac{3}{4}$ " (90.8 cm) height to underside of cooktop edge with leveling legs screwed all the way in*
- C. Model/serial number plate (located behind the storage drawer on the right-hand side of the oven frame)
- D. 29 $\frac{7}{8}$ " (75.9 cm)
- E. Gas information plate (located behind the warming drawer on the left-hand side of oven frame)
- F. 29 $\frac{1}{16}$ " (73.8 cm) from handle to back of range**
- G. 23 $\frac{1}{2}$ " (59.7 cm) countertop notch to rear of cooktop

*Range can be raised approximately 1" (2.5 cm) by adjusting the leveling legs.

**When installed in a 24" (61.0 cm) base cabinet with 25" (63.5 cm) countertop; front of oven door protrudes 2 $\frac{1}{2}$ " (6.4 cm) beyond 24" (61.0 cm) base cabinet.

Cabinet opening dimensions shown are for 25" (64.0 cm) countertop depth, 24" (61.0 cm) base cabinet depth and 36" (91.4 cm) countertop height.

IMPORTANT: If installing a range hood or microwave hood combination above the range, follow the range hood or microwave hood combination installation instructions for dimensional clearances above the cooktop surface.

Range may be installed with zero clearance to combustible construction at the rear and on the sides below the cooktop.

- A. 13" (33.0 cm) upper cabinet depth
- B. 30" (76.2 cm) min. opening width
- C. For minimum clearance to the top of the cooktop, see NOTE.
- D. 23 $\frac{3}{4}$ " (59.1 cm) opening depth
- E. 30" (76.2 cm) min. opening width
- F. Electrical and gas supply - 5 $\frac{1}{2}$ " (14.0 cm) min. from either cabinet, 10" (25.4 cm) max. from floor. Nothing located in shaded area can extend more than 2 $\frac{1}{4}$ " (5.7 cm) from back wall or range will not slide all the way back. Grounded outlet must be flush mounted.
- G. Cabinet door or hinge should not extend into cutout.
- H. 18" (45.7 cm)
- I. 3" (7.6 cm) min. clearance from both sides of the range to the side wall or other combustible material.

NOTE: 24" (61.0 cm) minimum when bottom of wood or metal cabinet is shielded by not less than $\frac{1}{4}$ " (0.64 cm) flame retardant millboard covered with not less than No. 28 MSG sheet steel, 0.015" (0.4 mm) stainless steel, 0.024" (0.6 mm) aluminum or 0.020" (0.5 mm) copper.

30" (76.2 cm) minimum clearance between the top of the cooking platform and the bottom of an uncovered wood or metal cabinet.