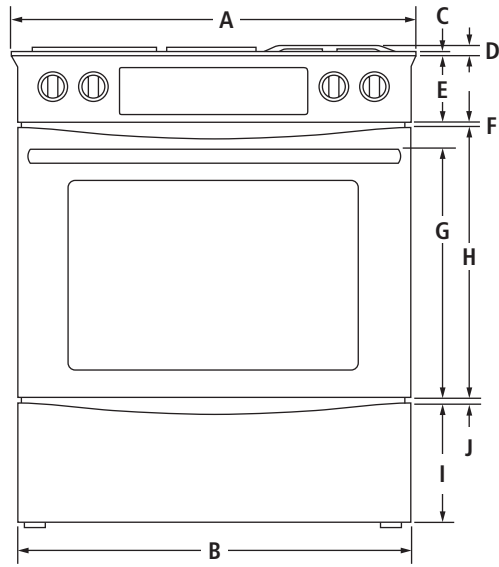


30" SLIDE-IN MODULAR DUAL-FUEL DOWNDRAFT RANGE

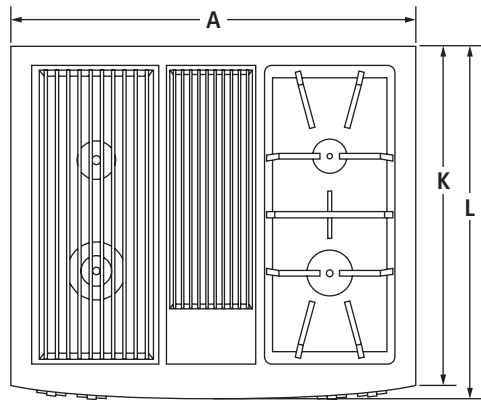
JDS9860CD – 30³/₄" x 37⁵/₈" x 28⁷/₈"

PRODUCT DIMENSIONS



FRONT VIEW

MODEL #		JDS9860CD	
		in	cm
A	Overall width	30 ³ / ₄	78.1
B	Width of door/drawer Euro-Style Stainless	30 ¹ / ₈	76.5
	Floating Glass	29 ⁷ / ₈	75.9
C	Height of cooking surface	³ / ₈	1.1
D	Height with grates	1 ⁷ / ₈	4.7
E	Height of control panel	4 ¹ / ₈	10.6
F	Space between door and control panel	⁵ / ₈	1.5
G	Height to top of handle	18 ³ / ₄	47.5
H	Height of door	20 ¹ / ₄	51.5
I	Height of lower panel	8 ⁵ / ₈	22.0
J	Space between door and lower panel	⁵ / ₈	1.5
K	Depth to corner of control panel	24 ¹ / ₄	61.5
L	Depth to center of control panel	25 ¹ / ₄	64.0

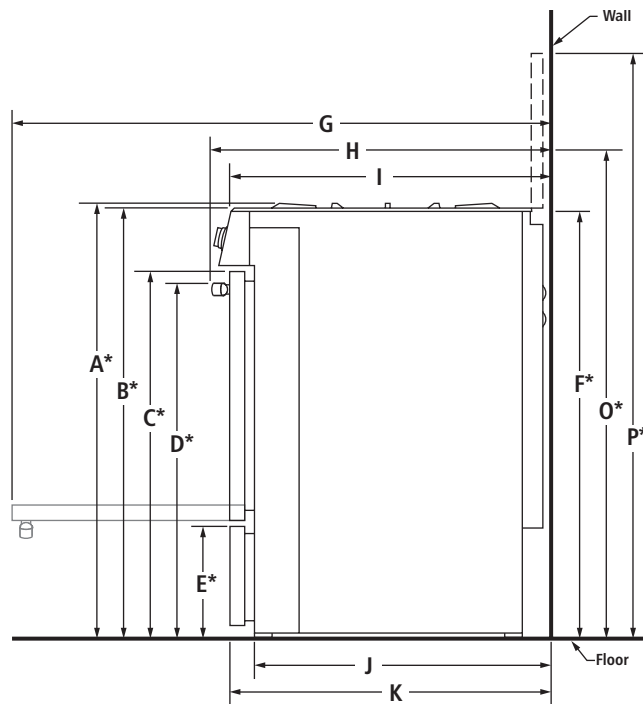


TOP VIEW

30" SLIDE-IN MODULAR DUAL-FUEL DOWNDRAFT RANGE

JDS9860CD – 30³/₄" x 37⁵/₈" x 28⁷/₈"

DIMENSIONS AS INSTALLED



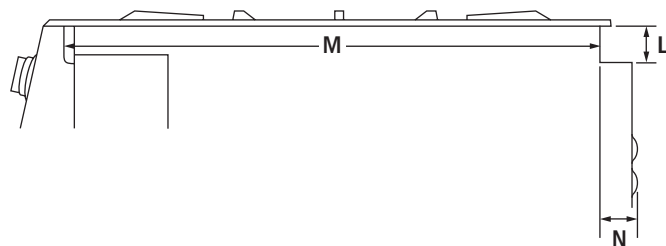
SIDE VIEW

MODEL #		JDS9860CD	
		in	cm
A*	Height to top of grates (min.)	37 ⁵ / ₈	95.5
B*	Height to top of cooking surface (min.)	36 ¹ / ₈	91.7
C*	Height to top of door (min.)	30 ⁷ / ₈	78.5
D*	Height to top of handle (min.)	29 ¹ / ₈	74.0
E*	Height to top of lower panel (min.)	10	25.2
F*	Height to top of countertop (min.)	35 ³ / ₄	90.8
G	Depth with door fully open	45 ¹ / ₂	115.5
H	Depth with handle	28 ⁷ / ₈	73.2
I	Depth to center of control panel	26 ³ / ₄	68.0
J	Depth without door	24 ¹ / ₂	62.2
K	Depth with door	26 ³ / ₈	67.0
L	Height of countertop channel	1 ⁵ / ₈	4.0
M	Depth from control panel notch to countertop channel	23	58.4
N	Depth of countertop channel	1 ⁵ / ₈	4.0

OPTIONAL ACCESSORIES

O*	Height to top of 6" stainless steel backsplash (min.)	41 ³ / ₄	106.0
P*	Height to top of 12" stainless steel backsplash (min.)	47 ³ / ₄	121.3

*Add up to 1³/₄" (4.4 cm) to height with leg levelers fully extended.

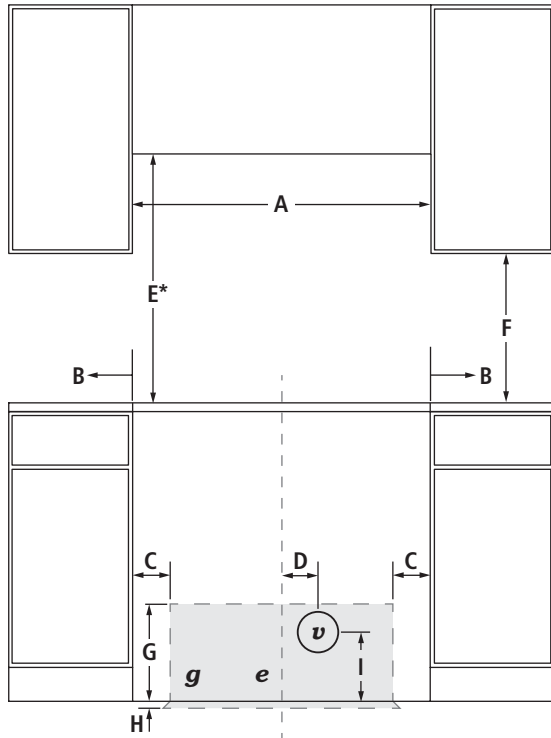


SIDE VIEW – COUNTERTOP CHANNEL DETAIL

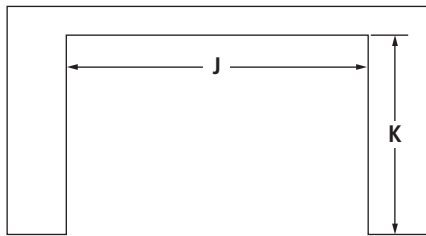
30" SLIDE-IN MODULAR DUAL-FUEL DOWNDRAFT RANGE

JDS9860CD – 30³/₄" x 37⁵/₈" x 28⁷/₈"

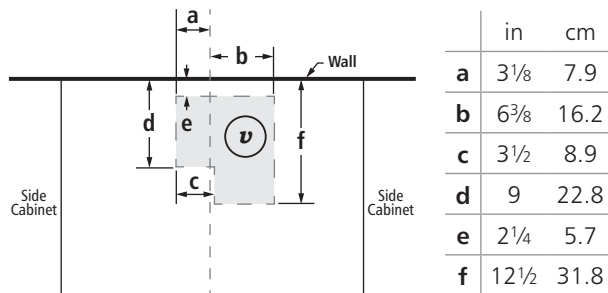
OPENING/CLEARANCE DIMENSIONS



FRONT VIEW – REAR WALL VENTING OPTION



TOP VIEW – CUTOUT



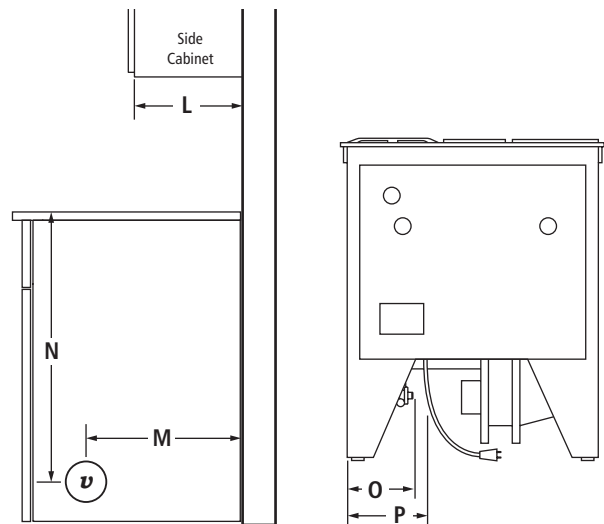
TOP VIEW – FLOOR VENTING OPTION

MODEL #		JDS9860CD	
		in	cm
A	Width of combustable area above cooking surface (min.)	30	76.2
B	Width from cooktop to fixed wall or other combustable material (min.)	3	7.6
C	Width from electrical installation area to cabinet (min.)	5½	14.0
D	Width to center of vent opening option (max.)	2¼	5.7
E*	Height to bottom of uncovered wood or metal cabinet above cooking surface (min.)	30	76.2
F	Height to bottom of uncovered wood or metal cabinet (min.)	18	45.7
G	Height of electrical installation area (max.)	10	25.4
H	Depth of electrical installation area (max.)	2¼	5.7
I	Height to center of vent opening option	8¼	20.8
J	Width of cutout	30	76.2
K	Depth of cutout	23	58.4
L	Depth of upper cabinet (recommended)	13	33.0
M	Depth to center of vent opening option	18	45.7
N	Height to center of vent opening option	31½	79.2
O	Width to gas inlet	4¾	11.0
P	Width to power cord	9	23.0
e	Recommended junction box location		
g	Recommended gas supply line location		
v	Recommended venting location – see page 4 for ducting information		

*Dimension can be reduced by 6" (15.2 cm) when bottom of wood or metal cabinet is covered by not less than ¼" (0.6 cm) flame retardant millboard covered with not less than No. 28 MSG sheet metal, 0.015" (0.4 mm) stainless steel, 0.024" (0.6 mm) aluminum or 0.020" (0.5 mm) copper.

ELECTRICAL REQUIREMENTS

240 volt, 60 Hz, AC only, 40-amp fused, grounded circuit is required. A dedicated circuit is recommended. Minimum length of power cord is 36" (91.4 cm).

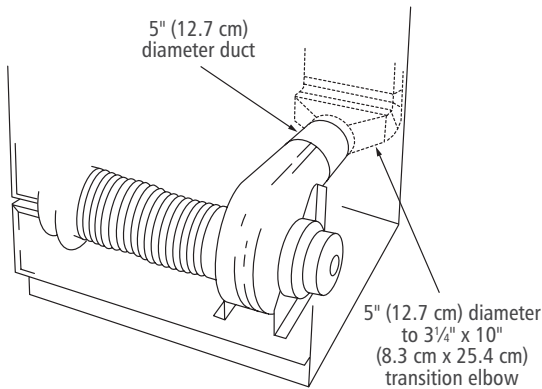


SIDE VIEW – SIDE WALL VENTING OPTION

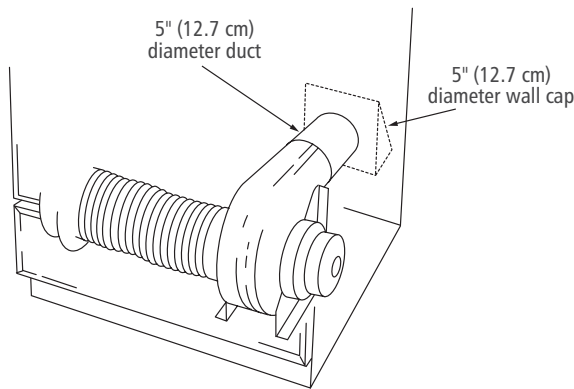
BACK VIEW

DOWNDRAFT SLIDE-IN RANGE DUCTING ARRANGEMENTS

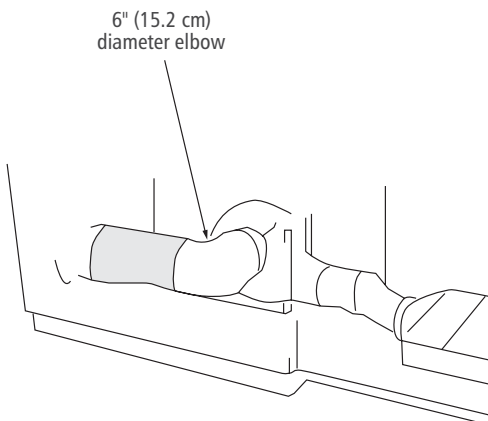
DUCTING CONFIGURATIONS



REAR DUCTING IN WALL TO ROOF



REAR DUCTING THROUGH WALL TO OUTSIDE



SIDE DUCTING IN TOE KICK TO OUTSIDE

DUCTING REQUIREMENTS

RANGE	DUCT LENGTH	DUCT SIZE
Dual Fuel, Gas	10' (3.0 m) or less*	5" (12.7 cm) diameter*
	Between 10' (3.0 m) and 60' (18.3 m)	6" (15.2 cm) diameter 3 1/4" x 10" (8.3 cm x 25.4 cm)
Electric	10' (3.0 m) or less**	5" (12.7 cm) diameter**
	Between 10' (3.0 m) and 60' (18.3 m)	6" (15.2 cm) diameter 3 1/4" x 10" (8.3 cm x 25.4 cm)

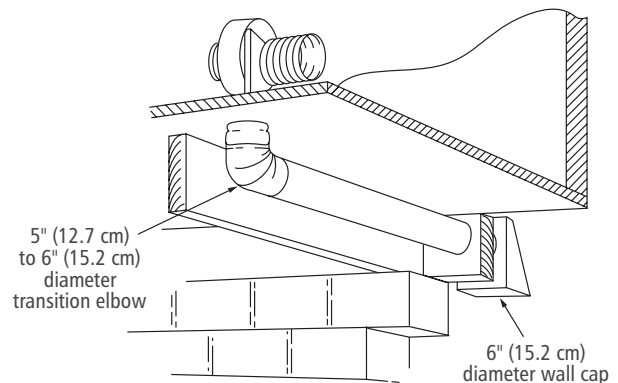
*Dual fuel ranges must use 5" (12.7 cm) diameter for runs of 10' (3.0 m) or less.
**May be used to vent straight out the back of the range and directly through the wall.

CALCULATING MAXIMUM DUCTING LENGTH

- Maximum ducting length is 60' (18.3 m).
- Each 90° elbow equals 5' (1.5 m) duct.
- Use no more than three 90° elbows.
- Flexible metal vent is not recommended.
- Do not install two elbows together.

NOTES:

- For ducting runs up to 30' (9.1 m), install range as shipped.
- For ducting runs of 31' (9.4 m) to 60' (18.3 m), remove the restricter ring on the blower inlet housing.
- For altitudes above 4500' (1272.0 m), reduce recommended vent run by 20% for best performance.



THROUGH FLOOR BETWEEN JOISTS TO OUTSIDE