

JENN-AIR® Bottom Mount Built-in Refrigerator

PRODUCT MODEL NUMBERS

JB36CXFXL	JB36SEFXL
JB36CXFXR	JB36SEFXR
JB36PPFXL	JF42CXFXD
JB36PPFXR	JF42PPFXD
JB36REFXL	JF42REFXD
JB36REFXR	JF42SEFXD

Electrical: A 115 Volt, 60 Hz., AC only 15- or 20-amp fused, grounded electrical supply is required. It is recommended that a separate circuit serving only your refrigerator be provided. Use an outlet that cannot be turned off by a switch. Do not use an extension cord.

A grounded 3 prong electrical outlet should be placed within 4" (10.2 cm) of the right side cabinets or end panel.

Water Supply: A cold water supply with water pressure between 30 and 120 psi (207 and 827 kPa) is required to operate the water dispenser and ice maker. If you have questions about your water pressure, call a licensed, qualified plumber.

The water shutoff should be located in the base cabinet on either side of the refrigerator or some other easily accessible area. If the water shutoff valve is not in the cabinets, the plumbing for the water line can come through the floor or the back wall.

IMPORTANT: The pressure of the water supply coming out of a reverse osmosis system going to the water inlet valve of the refrigerator needs to be between 30 and 120 psi (207 and 827 kPa).

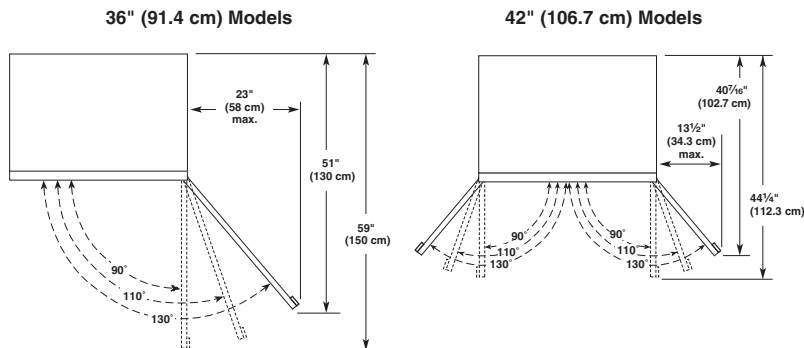
If a reverse osmosis water filtration system is connected to your cold water supply, the water pressure to the reverse osmosis system needs to be a minimum of 40 to 60 psi (276 to 414 kPa).

Do not install the refrigerator near an oven, radiator, or other heat source, or in a location where the temperature will fall below 55°F (13°C).

DOOR SWING DIMENSIONS

The location must permit the door to open a minimum of 90°. Allow 4-1/2" (11.4 cm) minimum space between the side of the refrigerator and a corner wall.

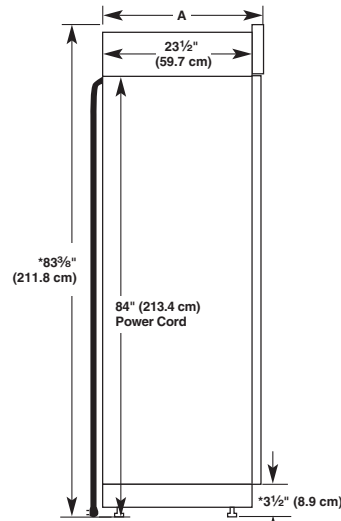
NOTE: More clearance may be required if you are using overlay panels.



PRODUCT DIMENSIONS

- Height dimensions are shown with the leveling legs extended to 1/8" (3 mm) below the rollers.
- The water line attached to the back of the refrigerator is 5' (1.5 m) long.

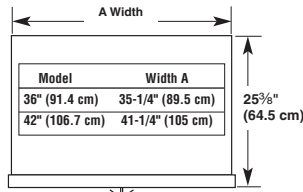
SIDE VIEW



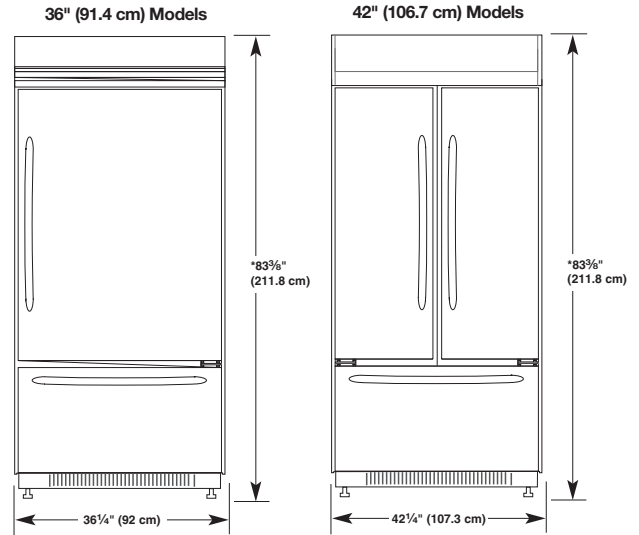
Series	A
Overlay Design	25-1/8" (63.8 cm)
Euro-Style or Pro-Style® Design	25-3/8" (64.5 cm)

TOP VIEW

NOTE: Add up to 2-11/16" (6.74 cm) for the handles.



FRONT VIEW

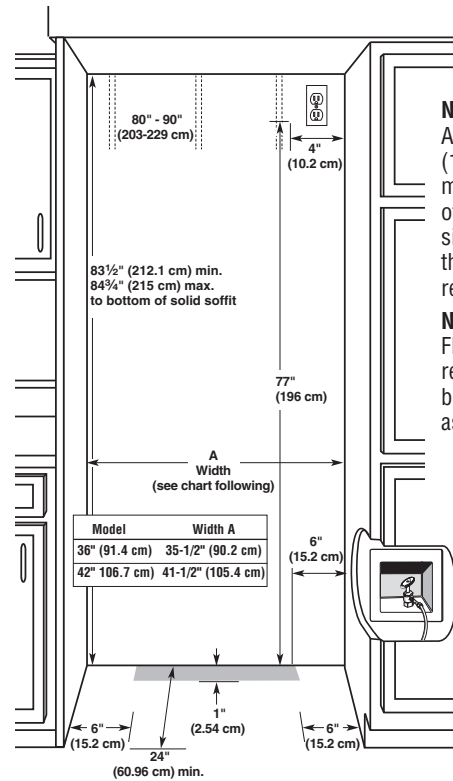
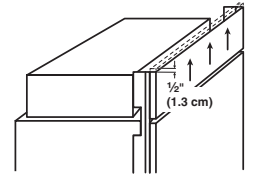


* When leveling legs are fully extended to 1-1/4" (3.2 cm) below rollers, add 1-1/8" (2.9 cm) to the height dimensions.

OPENING DIMENSIONS

To avoid tipping during use, the solid soffit must be within 1" (2.5 cm) maximum above the refrigerator. If the solid soffit is higher than 1" (2.5 cm) or one is not available, then the refrigerator must be braced.

If the anti-tip boards are needed, they must be attached to the rear wall studs 80" to 90" (203 to 229 cm) above the floor.



NOTE: A clearance of 1/2" (1.3 cm) must be maintained in front of the refrigerator's side trim in order for the top grille to be removed.

NOTE: Flooring under refrigerator must be at same level as the room.