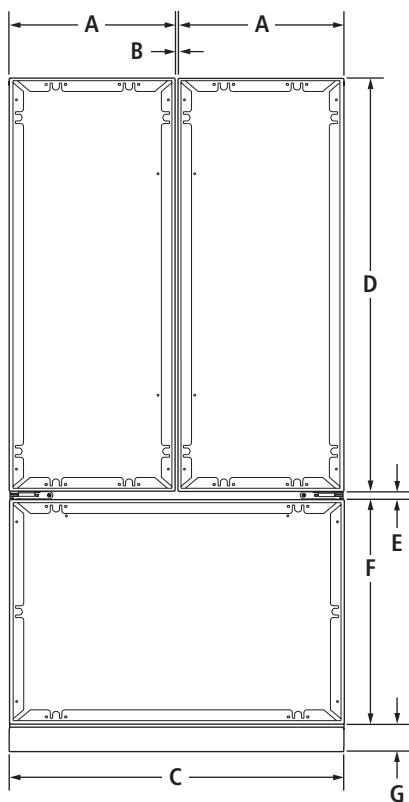


72" COUNTER-DEPTH FRENCH DOOR REFRIGERATOR WITH INTERNAL DISPENSER

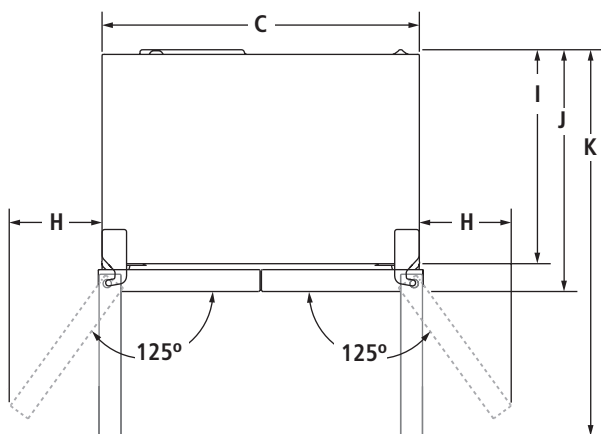
JFC2290RT – 35⁵/₈" x 71⁷/₈" x 28¹/₈" (depth with custom door)

PRODUCT DIMENSIONS



FRONT VIEW

MODEL #		JFC2290RT	
		in	cm
A	Width of each door	17 ⁵ / ₈	44.8
B	Space between doors	³ / ₈	1.0
C	Overall width	35 ⁵ / ₈	90.5
D	Height of doors	44 ¹ / ₈	112.1
E	Space between doors and drawer	1	2.5
F	Height of drawer	23 ⁷ / ₈	60.6
G	Height of grille	2 ⁷ / ₈	7.3
H	Width from side of refrigerator to door fully open 125°	10	25.4
I	Depth without doors	24 ¹ / ₂	62.2
J	Depth with doors	28 ¹ / ₈	71.4
K	Depth with doors open 90°	44	111.8



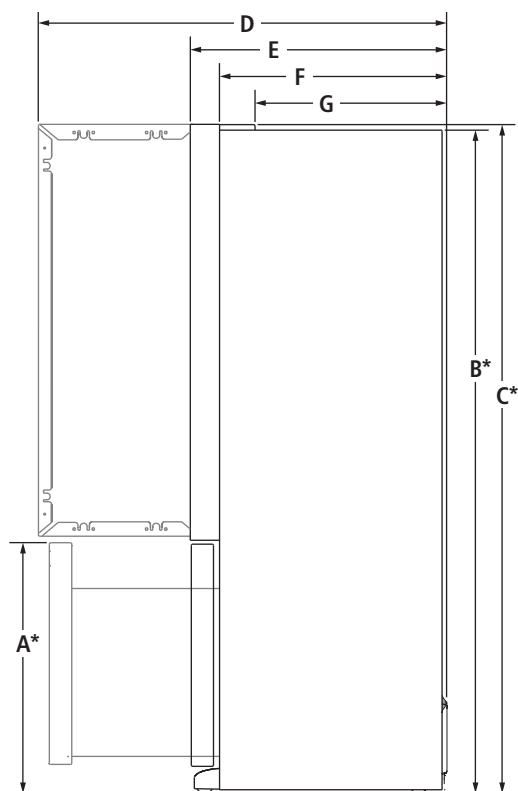
TOP VIEW

IMPORTANT: Dimensional specifications are provided for planning purposes only. Do not make any cutouts based on this information. Refer to the Installation Guide before selecting cabinetry, verifying electrical/gas connections, making cutouts or beginning installation. All Jenn-Air® appliances are appropriately UL, CUL or CSA approved.

72" COUNTER-DEPTH FRENCH DOOR REFRIGERATOR WITH INTERNAL DISPENSER

JFC2290RT – 35⁵/₈" x 71⁷/₈" x 28¹/₈" (depth with custom door)

DIMENSIONS AS INSTALLED



SIDE VIEW

MODEL #		JFC2290RT	
		in	cm
A*	Height to top of drawer (min.)	27	68.6
B*	Height of recessed refrigerator (min.)	71 ¹ / ₄	181.0
C*	Height to top of hinges (min.)	71 ⁷ / ₈	182.6
D	Depth with door fully open (min.)	44	111.8
E	Depth with doors (min.)	28 ¹ / ₈	71.4
F	Depth without doors (min.)	24 ¹ / ₂	62.2
G	Depth to back of hinges (min.)	20 ⁵ / ₈	52.4

*Add ³/₄" (1.9 cm) to the height dimension when leveling legs are fully extended.

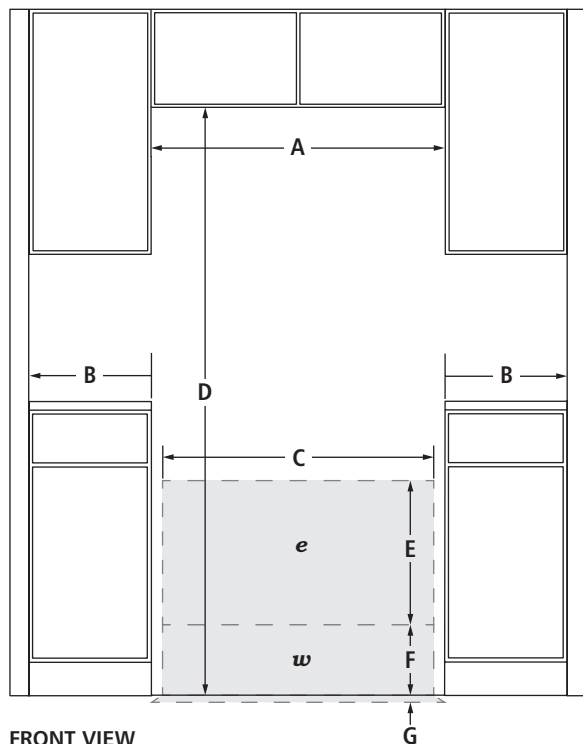
IMPORTANT: Dimensional specifications are provided for planning purposes only. Do not make any cutouts based on this information. Refer to the Installation Guide before selecting cabinetry, verifying electrical/gas connections, making cutouts or beginning installation. All Jenn-Air® appliances are appropriately UL, CUL or CSA approved.



72" COUNTER-DEPTH FRENCH DOOR REFRIGERATOR WITH INTERNAL DISPENSER

JFC2290RT – 35⁵/₈" x 71⁷/₈" x 28¹/₈" (depth with custom door)

OPENING/CLEARANCE DIMENSIONS



FRONT VIEW

MODEL #		JFC2290RT	
		in	cm
A	Width (min.)	36 ⁵ / ₈	93.0
B	Minimum width from side of refrigerator to fixed wall – door open 90° (full access to remove bins)	2 ¹ / ₄ *	5.7*
	Minimum width from side of refrigerator to fixed wall – door fully open 125°	10	25.4
C	Width of recommended electrical/ water installation area	34	86.4
D	Height (min.)	71 ⁷ / ₈	182.6
E	Height of recommended electrical installation area (min.-max.)	10-24	25.4-61.0
F	Height of recommended water installation area	10	25.4
G	Depth of recommended water installation area	1	2.5
H	Water line location – distance from side	24 ⁵ / ₈	62.5
I	Water line location – distance from bottom	9 ³ / ₈	23.8
e	Recommended electrical connection location		
w	Recommended water connection location		

*Dimension may increase or decrease depending on depth of handle.

ELECTRICAL REQUIREMENTS

115 volt, 60 Hz, AC only, 15- or 20-amp fused, grounded circuit is required. A dedicated circuit is recommended. Use an outlet that cannot be turned off by a switch.

Minimum length of power cord is 60" (152.0 cm). Do not use an extension cord.

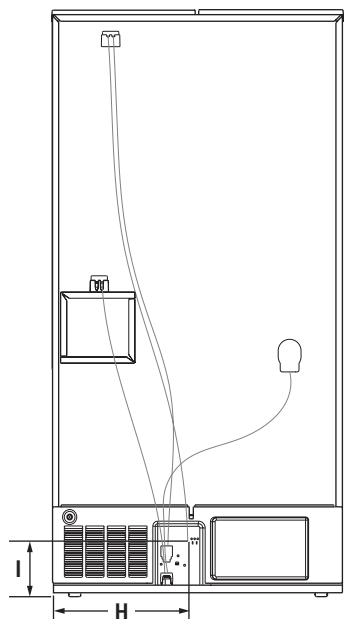
WATER PRESSURE REQUIREMENTS

A cold water supply with water pressure between 30 and 120 psi (207 and 827 kPa) is required to operate the water dispenser and ice maker. Call a licensed, qualified plumber with any questions about the water pressure.

Reverse Osmosis Water Supply

IMPORTANT: The pressure of the water coming out of a reverse osmosis system going to the water inlet valve of the refrigerator needs to be between 30 and 120 psi (207 and 827 kPa).

If a reverse osmosis water filtration system is connected to the cold water supply, the water pressure to the reverse osmosis system needs to be a minimum of 40 to 60 psi (276 to 414 kPa).



BACK VIEW

IMPORTANT: Dimensional specifications are provided for planning purposes only. Do not make any cutouts based on this information. Refer to the Installation Guide before selecting cabinetry, verifying electrical/gas connections, making cutouts or beginning installation. All Jenn-Air® appliances are appropriately UL, CUL or CSA approved.