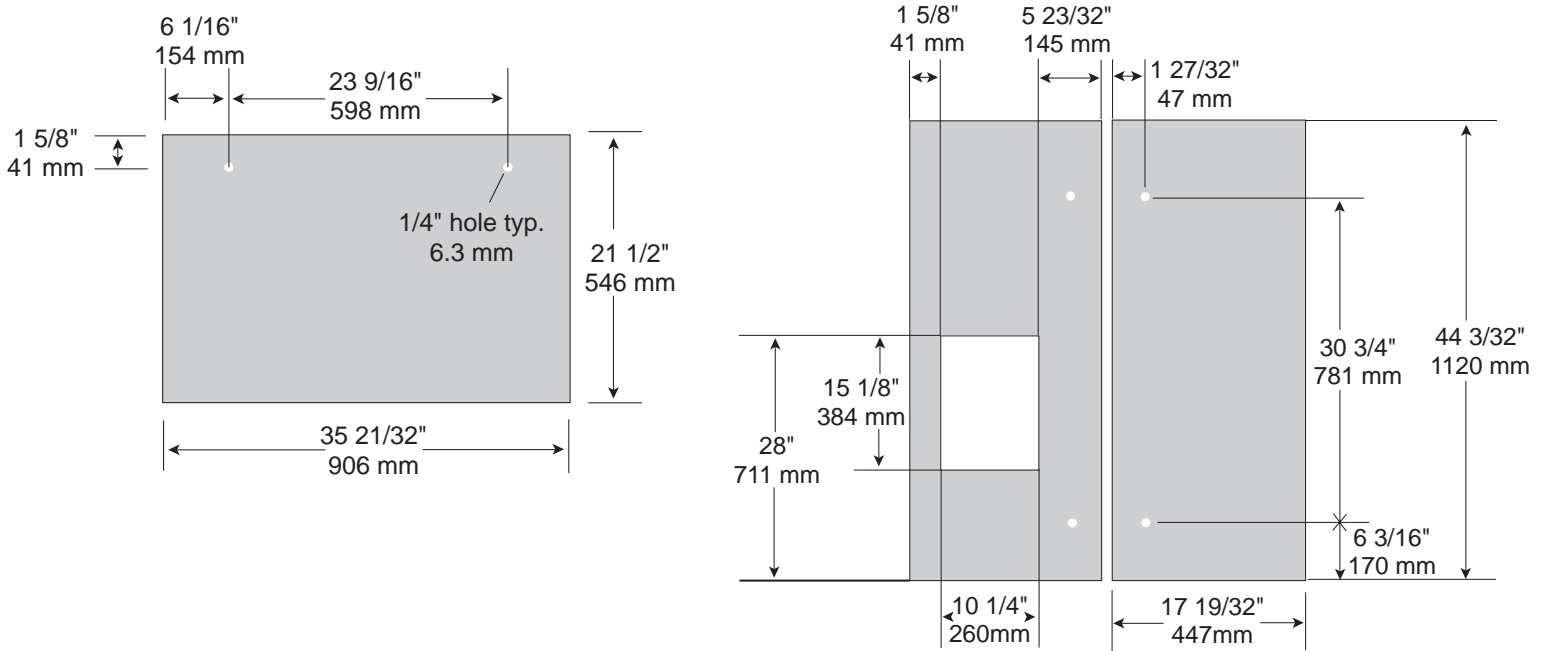
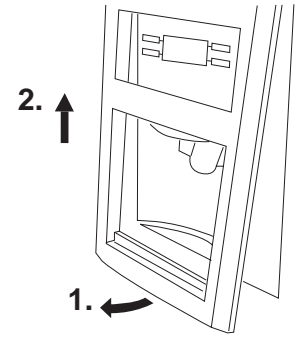
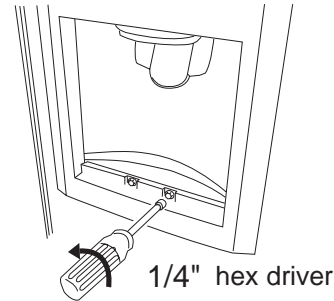
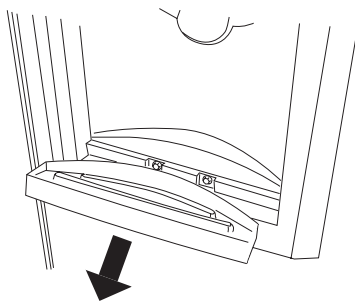


# Ice and Water Decorator Panel Installation



## REMOVING DISPENSER (Reverse procedure to install.)



## WEIGHT REQUIREMENTS FOR PANEL INSERTS

- Individual refrigerator door panels should not exceed 15 lbs. (7 kg).
- Freezer drawer panel should not exceed 15 lbs. (7 kg).

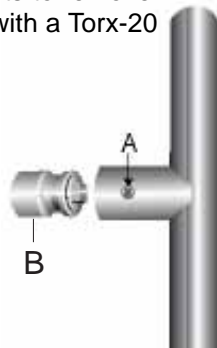
## INSTALLING AND REMOVING HANDLES

### REMOVING HANDLES

1. Locate set screws (A) in handle and loosen set screws with a 1/8" Allen wrench.
2. Lift handle from handle mounting posts to remove.
3. Remove handle mounting posts (B) with a Torx-20 driver.

### INSTALLING HANDLES

1. Install handle mounting posts (B) with a Torx-20 driver.
2. Position handle over mounting posts.
3. Tighten set screws (A) with a 1/8" Allen wrench.

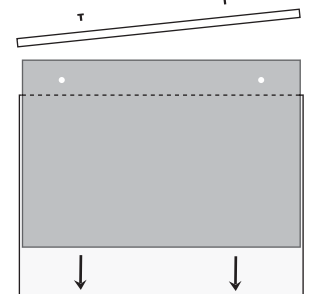
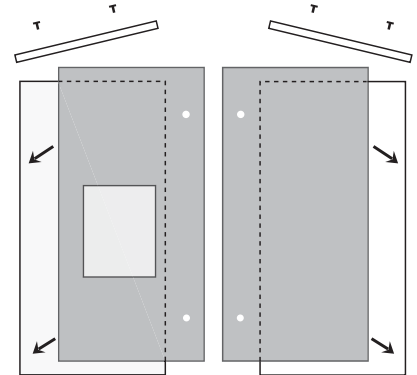


## PANEL INSTALLATION

Tools required:  
Phillips screwdriver,  
1/4" hex driver

- Remove top trim screws and handles.
- Remove Dispenser.
- Install panels and replace top trim and screws.

**NOTE:** Inside door edges are not trimmed. Installed wood panel edges will be exposed and require finishing.



## INSTALLING DECORATOR PANELS

**NOTE:** You can create the panels yourself or consult your cabinetmaker. See dimensional drawings for decorator panel inserts. Decorator panels should be a 1/4" (6.3mm) thick.