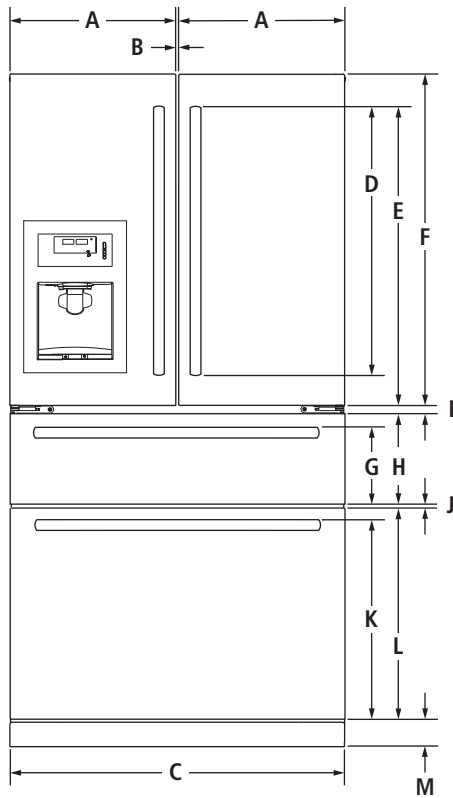


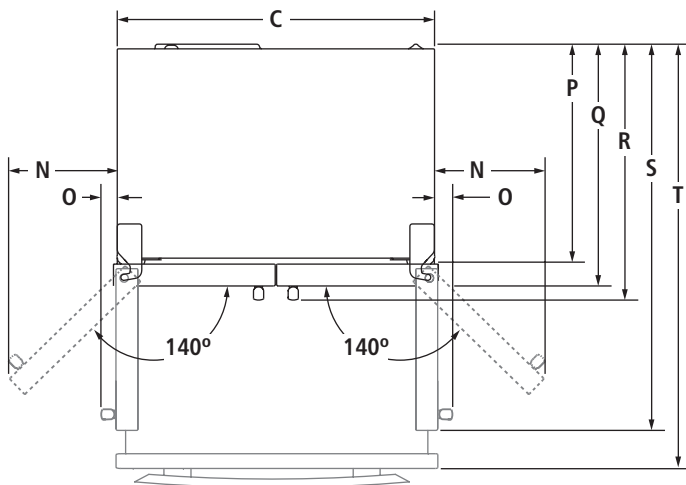
69" STANDARD-DEPTH FRENCH DOOR REFRIGERATOR WITH EXTERNAL DISPENSER

JFX2597AE – 35⁷/₈" x 69⁵/₈" x 33³/₄"

PRODUCT DIMENSIONS



FRONT VIEW



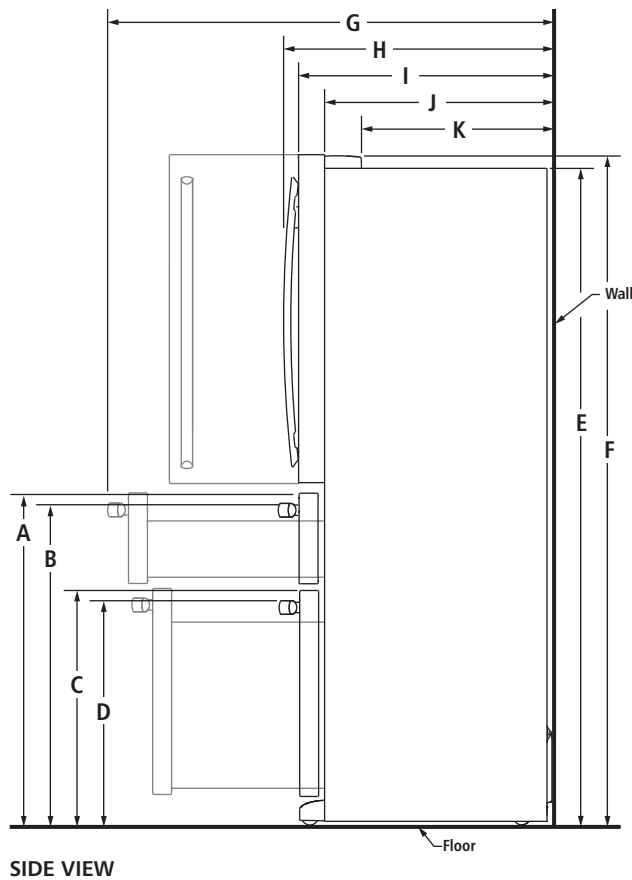
TOP VIEW

MODEL #		JFX2597AE	
		in	cm
A	Width of each door	17 ³ / ₄	45.0
B	Space between doors	³ / ₈	1.0
C	Overall width	35 ⁷ / ₈	91.0
D	Height of door handles		
	Pro-Style® Stainless	25 ³ / ₄	65.5
	Euro-Style Stainless	30 ¹ / ₂	77.5
E	Height to top of door handles		
	Pro-Style® Stainless	30	76.5
	Euro-Style Stainless	32 ¹ / ₂	82.5
F	Height of doors	34 ¹ / ₂	87.5
G	Height to top of upper drawer handle		
	Pro-Style® Stainless	8 ¹ / ₄	21.0
	Euro-Style Stainless	8 ¹ / ₄	21.0
H	Height of upper drawer	9 ¹ / ₄	23.5
I	Space between doors and drawer	³ / ₄	2.0
J	Space between drawers	⁵ / ₈	1.5
K	Height to top of lower drawer handle		
	Pro-Style® Stainless	20 ⁵ / ₈	52.5
	Euro-Style Stainless	20 ⁵ / ₈	52.5
L	Height of lower drawer	21 ⁷ / ₈	55.5
M	Height of grille	2 ³ / ₄	7.0
N	Width from side of refrigerator to handle – door fully open 140°		
	Pro-Style® Stainless	13 ³ / ₄	34.8
	Euro-Style Stainless	13 ¹ / ₄	33.5
O	Width from side of refrigerator to handle – door open 90°		
	Pro-Style® Stainless	2 ³ / ₄	6.9
	Euro-Style Stainless	2 ¹ / ₄	5.7
P	Depth without doors	29	73.5
Q	Depth with doors	31 ³ / ₄	80.5
R	Depth with handles		
	Pro-Style® Stainless	34 ¹ / ₈	86.8
	Euro-Style Stainless	33 ³ / ₄	85.6
S	Depth with doors open 90°	48	121.8
T	Depth with upper drawer fully open	52 ³ / ₄	134.0

69" STANDARD-DEPTH FRENCH DOOR REFRIGERATOR WITH EXTERNAL DISPENSER

JFX2597AE – 35⁷/₈" x 69⁵/₈" x 33³/₄"

DIMENSIONS AS INSTALLED



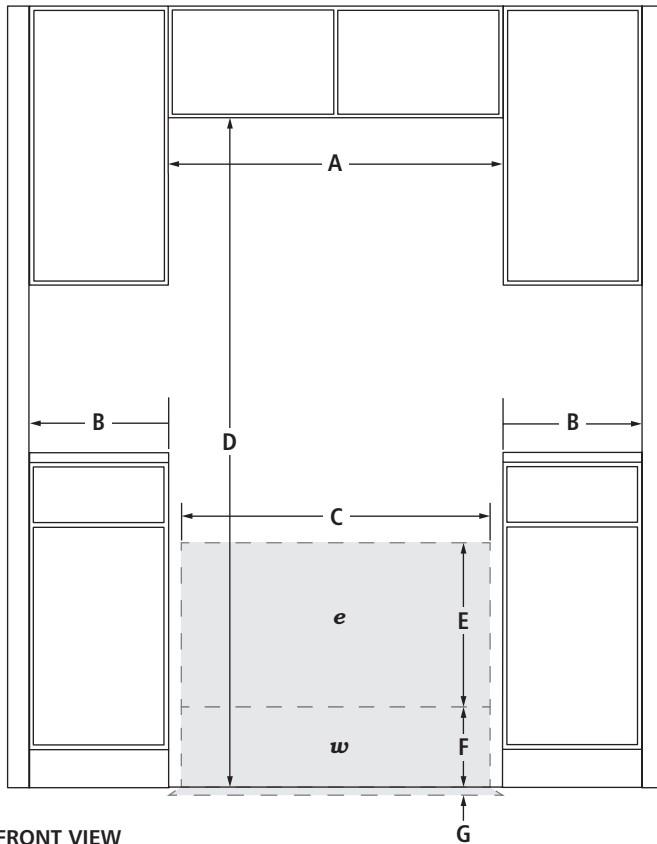
SIDE VIEW

MODEL #		JFX2597AE	
		in	cm
A	Height to top of upper drawer (min.)	34 ¹ / ₂	87.5
B	Height to top of upper drawer handle (min.)	Pro-Style® Stainless	33 ¹ / ₂ 85.0
		Euro-Style Stainless	33 ¹ / ₂ 85.0
C	Height to top of lower drawer (min.)	24 ⁵ / ₈	62.5
D	Height to top of lower drawer handle (min.)	Pro-Style® Stainless	23 ³ / ₈ 59.5
		Euro-Style Stainless	23 ³ / ₈ 59.5
E	Height of recessed refrigerator (min.)	68 ¹ / ₄	173.5
F	Height to top of doors (min.)	69 ⁵ / ₈	177.0
G	Depth with upper drawer fully open including drawer handle (min.)	Pro-Style® Stainless	55 ¹ / ₄ 140.3
		Euro-Style Stainless	54 ³ / ₄ 139.1
H	Depth with handles (min.)	Pro-Style® Stainless	34 ¹ / ₈ 86.8
		Euro-Style Stainless	33 ³ / ₄ 85.6
I	Depth with doors (min.)	31 ³ / ₄	80.5
J	Depth without doors (min.)	29	73.5
K	Depth to back of hinges (min.)	25	63.5

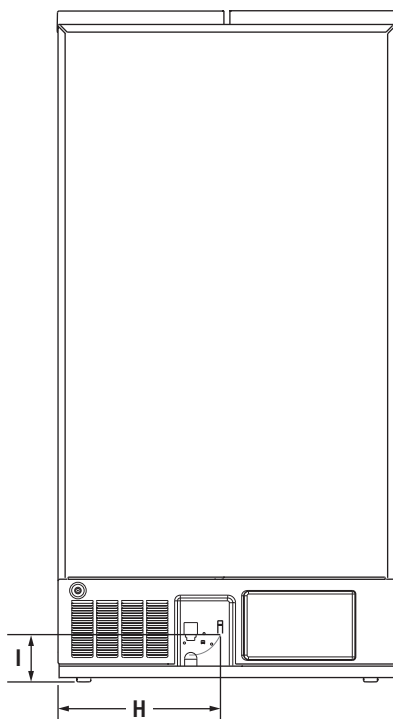
69" STANDARD-DEPTH FRENCH DOOR REFRIGERATOR WITH EXTERNAL DISPENSER

JFX2597AE – 35⁷/₈" x 69⁵/₈" x 33³/₄"

OPENING/CLEARANCE DIMENSIONS



FRONT VIEW



BACK VIEW

MODEL #		JFX2597AE	
		in	cm
A	Width (min.)	36 ⁷ / ₈	93.7
B	Minimum width from side of refrigerator to fixed wall – door open 90° (full access to remove bins)	2 ¹ / ₄	5.7
	Minimum width from side of refrigerator to fixed wall – door fully open 140°	13 ³ / ₄	34.8
C	Width of recommended electrical/water installation area	34	86.4
D	Height (min.)	70 ¹ / ₈	178.0
E	Height of recommended electrical installation area (min.-max.)	10-24	25.4-61.0
F	Height of recommended water installation area	10	25.4
G	Depth of recommended water installation area	1	2.5
H	Water line location – distance from side	16 ¹ / ₈	41.0
I	Water line location – distance from bottom	6 ¹ / ₄	16.0
e	Recommended electrical connection location		
w	Recommended water connection location		

ELECTRICAL REQUIREMENTS

115 volt, 60 Hz, AC only, 15- or 20-amp fused, grounded circuit is required. A dedicated circuit is recommended. Use an outlet that cannot be turned off by a switch.

Minimum length of power cord is 60" (152.0 cm). Do not use an extension cord.

WATER PRESSURE REQUIREMENTS

A cold water supply with water pressure between 30 and 120 psi (207 and 827 kPa) is required to operate the water dispenser and ice maker. Call a licensed, qualified plumber with any questions about the water pressure.

Reverse Osmosis Water Supply

IMPORTANT: The pressure of the water coming out of a reverse osmosis system going to the water inlet valve of the refrigerator needs to be between 30 and 120 psi (207 and 827 kPa).

If a reverse osmosis water filtration system is connected to the cold water supply, the water pressure to the reverse osmosis system needs to be a minimum of 40 to 60 psi (276 to 414 kPa).