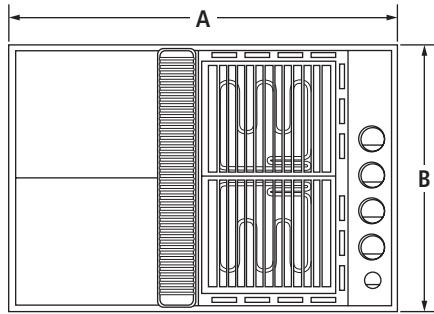


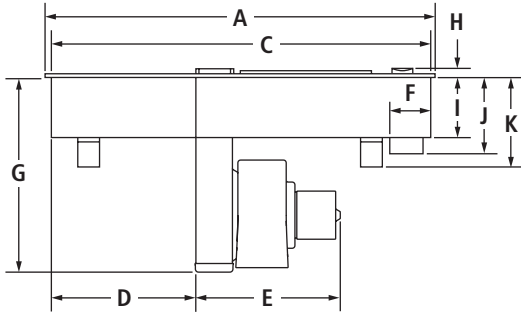
EXPRESSIONS™ COLLECTION MODULAR ELECTRIC DOWNDRAFT COOKTOP

CVEX4270 – 31" x 17½" x 21⅛"

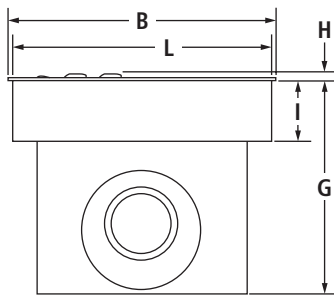
PRODUCT DIMENSIONS



TOP VIEW



FRONT VIEW



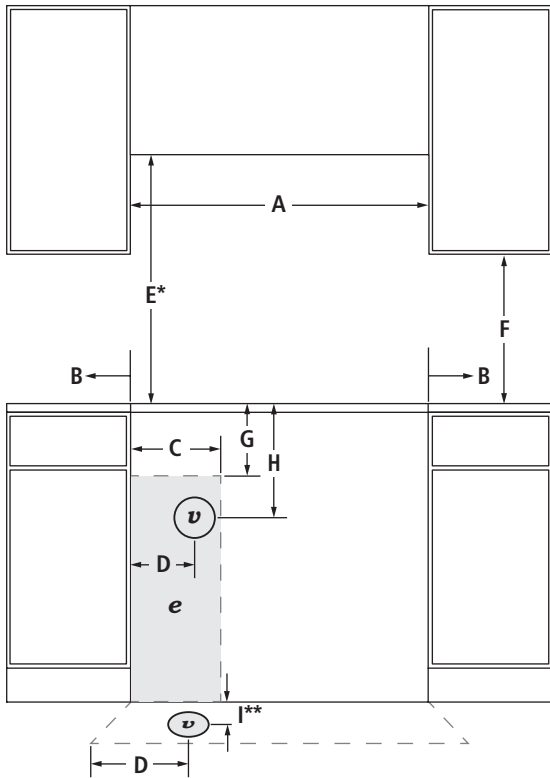
SIDE VIEW

MODEL #		CVEX4270	
		in	cm
<b>A</b>	Overall width	31	78.6
<b>B</b>	Overall depth	21⅛	53.6
<b>C</b>	Width of recessed cooktop	30	76.2
<b>D</b>	Width from recessed cooktop to blower motor assembly	11½	29.1
<b>E</b>	Width of blower motor assembly	12½	31.8
<b>F</b>	Width from electrical housing to recessed cooktop	3⅜	8.5
<b>G</b>	Height from plenum to countertop	17½	44.5
<b>H</b>	Height with knobs	¾	1.8
<b>I</b>	Height of recessed cooktop	4¾	12.0
<b>J</b>	Height from electrical housing to countertop	7⅝	19.5
<b>K</b>	Height from grease container to countertop	10¼	26.0
<b>L</b>	Depth of recessed cooktop	20½	52.0

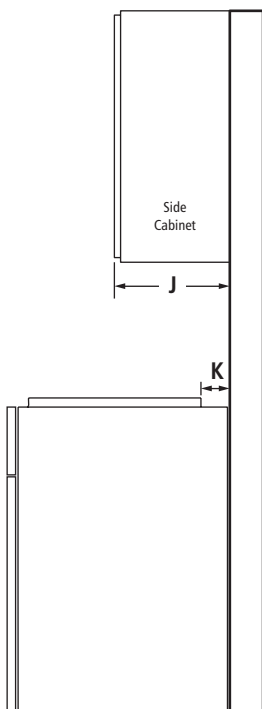
EXPRESSIONS™ COLLECTION MODULAR ELECTRIC DOWNDRAFT COOKTOP

CVEX4270 – 31" x 17½" x 21⅛"

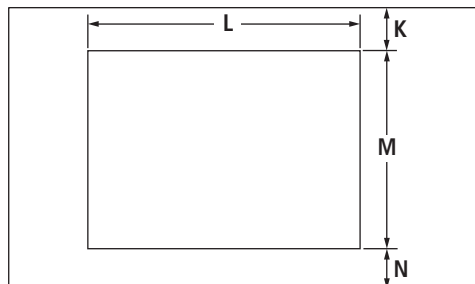
OPENING/CLEARANCE DIMENSIONS



FRONT VIEW



SIDE VIEW



TOP VIEW – CUTOUT

MODEL #		CVEX4270	
		in	cm
<b>A</b>	Width of combustable area above cooking surface (min.)	31	78.6
<b>B</b>	Width from cooktop to fixed wall or other combustable material (min.)	1	2.5
<b>C</b>	Width of electrical installation area	11	28.0
<b>D</b>	Width to center of vent opening option	17¾	45.1
<b>E*</b>	Height to bottom of uncovered wood or metal cabinet above cooking surface (min.)	30	76.2
<b>F</b>	Height to bottom of uncovered wood or metal cabinet (min.)	18	45.7
<b>G</b>	Height to top edge of electrical installation area	12	30.5
<b>H</b>	Height to center of vent opening option	8	20.3
<b>I**</b>	Depth to center of vent opening option	8¾	21.4
<b>J</b>	Depth of upper cabinet (recommended)	13	33.0
<b>K</b>	Depth from cutout to wall (min.)	¾	1.9
<b>L</b>	Width of cutout	30½	77.3
<b>M</b>	Depth of cutout	20⅝	52.4
<b>N</b>	Depth from cutout to front of countertop	2⅛	5.4
<b>e</b>	Recommended electrical access location		
<b>v</b>	Recommended venting location – see page 3 for ducting information		

\*Dimension can be reduced by 6" (15.2 cm) when bottom of wood or metal cabinet is covered by not less than ¼" (0.6 cm) flame retardant millboard covered with not less than No. 28 MSG sheet metal, 0.015" (0.4 mm) stainless steel, 0.024" (0.6 mm) aluminum or 0.020" (0.5 mm) copper.

\*\*Based on installation in a 24" (61.0 cm) base cabinet.

**ELECTRICAL REQUIREMENTS**

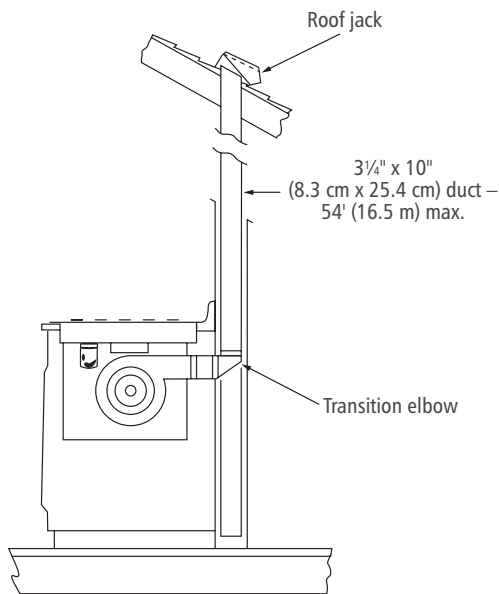
240 volt, 60 Hz, AC only, 40-amp fused, electrical supply is required.

**LOCATION REQUIREMENTS**

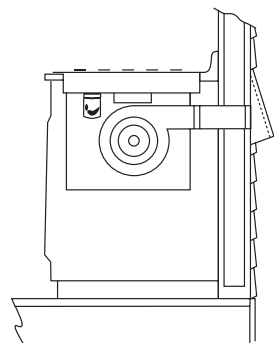
- To ensure cooktop base clearance, cabinet side walls need to be wider than the cutout.
- Grills installed near a side wall must allow a minimum clearance of 6" (15.2 cm) between the cooktop and side wall for maximum performance.
- A minimum clearance of 2" (5.1 cm) is recommended between the blower motor and cabinet for proper cooling. A 6" (15.2 cm) clearance is recommended for servicing access.
- For removal of the supplied grease container(s), a minimum clearance of 6¼" (15.9 cm) is required.
- An under counter built-in oven cannot be installed under this cooktop.

DOWNDRAFT COOKTOP DUCTING ARRANGEMENTS

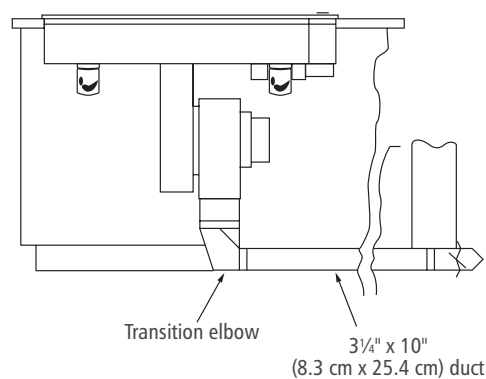
DUCTING CONFIGURATIONS



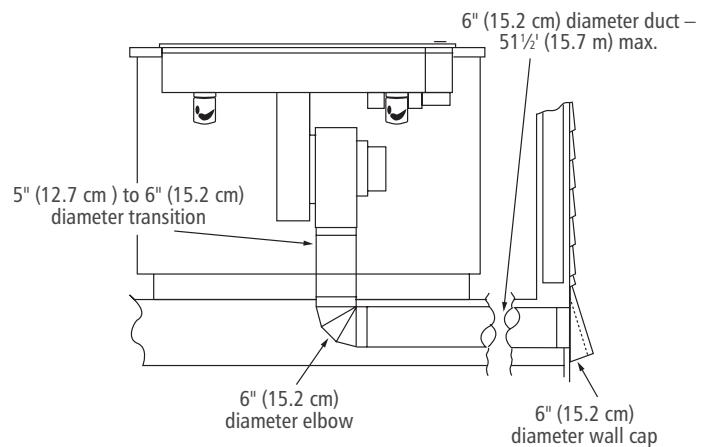
REAR DUCTING IN WALL TO ROOF



REAR DUCTING THROUGH WALL TO OUTSIDE



SIDE DUCTING IN TOE KICK TO OUTSIDE



THROUGH FLOOR BETWEEN JOISTS TO OUTSIDE

DUCTING REQUIREMENTS

COOKTOP	DUCT LENGTH	DUCT SIZE
Gas	10' (3.0 m) or less*	5" (12.7 cm) diameter*
	Between 10' (3.0 m) and 60' (18.3 m)	6" (15.2 cm) diameter 3 1/4" x 10" (8.3 cm x 25.4 cm)
Electric	10' (3.0 m) or less**	5" (12.7 cm) diameter**
	Between 10' (3.0 m) and 60' (18.3 m)	6" (15.2 cm) diameter 3 1/4" x 10" (8.3 cm x 25.4 cm)

\*Gas cooktops must use 5" (12.7 cm) diameter for runs of 10' (3.0 m) or less.

\*\*May be used to vent straight out the back of the cooktop and directly through the wall.

CALCULATING MAXIMUM DUCTING LENGTH

- Maximum ducting length is 60' (18.3 m).
- Each 90° elbow equals 5' (1.5 m) duct.
- Use no more than three 90° elbows.
- Flexible metal vent is not recommended.
- Do not install two elbows together.

NOTES:

- For ducting runs up to 30' (9.1 m), install cooktop as shipped.
- For ducting runs of 31' (9.4 m) to 60' (15.2 cm), remove the restricter ring on the blower inlet housing.
- For altitudes above 4500' (1272.0 m), reduce recommended vent run by 20% for best performance.