

JENN-AIR® 20", 30" AND 45" (50.8 CM, 76.2 CM AND 114.3 CM) ELECTRIC DOWNDRAFT COOKTOP

TABLE DE CUISSON ÉLECTRIQUE À ASPIRATION PAR LE BAS JENN-AIR® DE 20", 30" ET 45" (50,8 CM, 76,2 CM ET 114,3 CM)

Use & Care Guide

For questions about features, operation/performance, parts, accessories, or service in the U.S.A., call: **1-800-JennAir (1-800-536-6247)** or visit our website at **www.jennair.com**.
In Canada, call: **11-800-536-6247**, or visit our website at **www.jennair.ca**.

Guide d'utilisation et d'entretien

Au Canada, pour assistance, installation ou service, composez le **1-800-536-6247** ou visitez notre site web à **www.jennair.ca**.

Table of Contents/Table des matières 2

IMPORTANT: READ AND SAVE THESE INSTRUCTIONS.

FOR RESIDENTIAL USE ONLY.

IMPORTANT : LIRE ET CONSERVER CES INSTRUCTIONS.

POUR UTILISATION RÉSIDENNELLE UNIQUEMENT.

JENN-AIR®

W10421936B

TABLE OF CONTENTS

COOKTOP SAFETY	2
PARTS AND FEATURES	4
COOKTOP USE	4
Cooktop Controls.....	4
Cooktop Cartridge.....	5
Install Grill.....	5
Ceramic Glass.....	6
Coil Elements and Burner Bowls.....	6
Grill Use.....	6
Downdraft Ventilation System.....	7
Home Canning.....	7
Cookware.....	8
COOKTOP CARE	8
General Cleaning.....	8
TROUBLESHOOTING	10
ASSISTANCE OR SERVICE	10
In the U.S.A.....	10
Accessories	11
In Canada.....	11
WARRANTY	12

TABLE DES MATIÈRES

SÉCURITÉ DE LA TABLE DE CUISSON	13
PIÈCES ET CARACTÉRISTIQUES	15
UTILISATION DE LA TABLE DE CUISSON	16
Commandes de la table de cuisson.....	16
Module amovible pour table de cuisson.....	16
Installation du gril.....	17
Vitrocéramique.....	17
Éléments en spirale et cuvettes de brûleur.....	18
Utilisation du gril.....	18
Système de ventilation avec aspiration par le bas.....	19
Mise en conserve à la maison.....	19
Ustensiles de cuisson.....	20
ENTRETIEN DE LA TABLE DE CUISSON	20
Nettoyage général.....	20
DÉPANNAGE	22
ASSISTANCE OU SERVICE	22
Accessoires	22
Au Canada.....	23
GARANTIE	23

COOKTOP SAFETY

Your safety and the safety of others are very important.

We have provided many important safety messages in this manual and on your appliance. Always read and obey all safety messages.



This is the safety alert symbol.

This symbol alerts you to potential hazards that can kill or hurt you and others.

All safety messages will follow the safety alert symbol and either the word "DANGER" or "WARNING."

These words mean:

⚠ DANGER

You can be killed or seriously injured if you don't immediately follow instructions.

⚠ WARNING

You can be killed or seriously injured if you don't follow instructions.

All safety messages will tell you what the potential hazard is, tell you how to reduce the chance of injury, and tell you what can happen if the instructions are not followed.

State of California Proposition 65 Warnings:

WARNING: This product contains one or more chemicals known to the State of California to cause cancer.

WARNING: This product contains one or more chemicals known to the State of California to cause birth defects or other reproductive harm.

IMPORTANT SAFETY INSTRUCTIONS

WARNING: To reduce the risk of fire, electrical shock, injury to persons, or damage when using the cooktop, follow basic precautions, including the following:

- **CAUTION:** Do not store items of interest to children in cabinets above a cooktop – Children climbing on the cooktop to reach items could be seriously injured.
- Proper Installation – Be sure your cooktop is properly installed and grounded by a qualified technician.
- Never Use Your Cooktop for Warming or Heating the Room.
- Do Not Leave Children Alone – Children should not be left alone or unattended in area where cooktop is in use. They should never be allowed to sit or stand on any part of the cooktop.
- Wear Proper Apparel – Loose-fitting or hanging garments should never be worn while using the cooktop.
- User Servicing – Do not repair or replace any part of the cooktop unless specifically recommended in the manual. All other servicing should be referred to a qualified technician.
- Storage on Cooktop – Flammable materials should not be stored near surface units.
- Do Not Use Water on Grease Fires – Smother fire or flame or use dry chemical or foam-type extinguisher.
- Use Only Dry Potholders – Moist or damp potholders on hot surfaces may result in burns from steam. Do not let potholder touch hot heating elements. Do not use a towel or other bulky cloth.
- DO NOT TOUCH SURFACE UNITS OR AREAS NEAR UNITS – Surface units may be hot even though they are dark in color. Areas near surface units may become hot enough to cause burns. During and after use, do not touch, or let clothing or other flammable materials contact surface units or areas near units until they have had sufficient time to cool. Among those areas are the cooktop and surfaces facing the cooktop.
- Use Proper Pan Size – This cooktop is equipped with one or more surface units of different size. Select utensils having flat bottoms large enough to cover the surface unit heating element. The use of undersized utensils will expose a portion of the heating element to direct contact and may result in ignition of clothing. Proper relationship of utensil to burner will also improve efficiency.

- Never Leave Surface Units Unattended at High Heat Settings – Boilover causes smoking and greasy spillovers that may ignite.
- Glazed Cooking Utensils – Only certain types of glass, glass/ceramic, ceramic, earthenware, or other glazed utensils are suitable for cooktop service without breaking due to the sudden change in temperature.
- Utensil Handles Should Be Turned Inward and Not Extend Over Adjacent Surface Units – To reduce the risk of burns, ignition of flammable materials, and spillage due to unintentional contact with the utensil, the handle of a utensil should be positioned so that it is turned inward, and does not extend over adjacent surface units.
- Do Not Cook on Broken Cooktop – If cooktop should break, cleaning solutions and spillovers may penetrate the broken cooktop and create a risk of electric shock. Contact a qualified technician immediately.
- Clean Cooktop With Caution – If a wet sponge or cloth is used to wipe spills on a hot cooking area, be careful to avoid steam burn. Some cleaners can produce noxious fumes if applied to a hot surface.

For units with ventilating hood –

- Clean Ventilating Hoods Frequently – Grease should not be allowed to accumulate on hood or filter.
- When flaming foods under the hood, turn the fan on.

For units with coil elements –

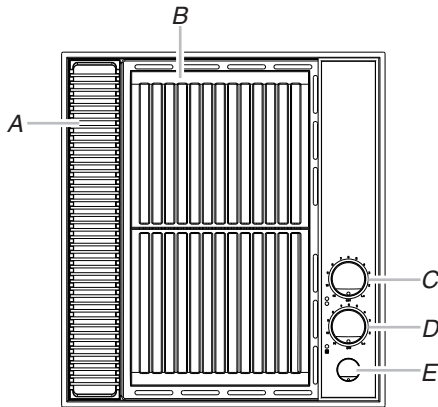
- Make Sure Reflector Pans or Drip Bowls Are in Place – Absence of these pans or bowls during cooking may subject wiring or components underneath to damage.
- Protective Liners – Do not use aluminum foil to line surface unit drip bowls, except as suggested in the manual. Improper installation of these liners may result in a risk of electric shock, or fire.
- Do Not Soak Removable Heating Elements - Heating elements should never be immersed in water.

SAVE THESE INSTRUCTIONS

PARTS AND FEATURES

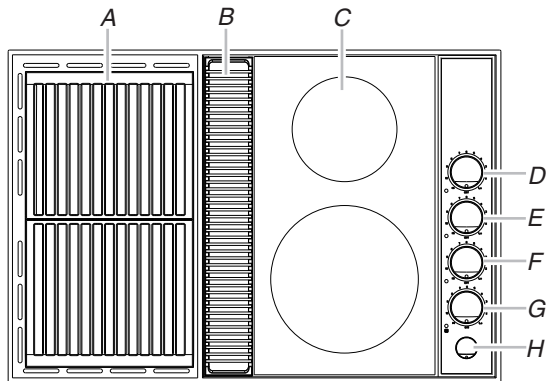
This manual covers different models. The cooktop you have purchased may have some or all of the items listed.

20" (50.8 cm) CVEX4100 Single Cooktop Layout and Features



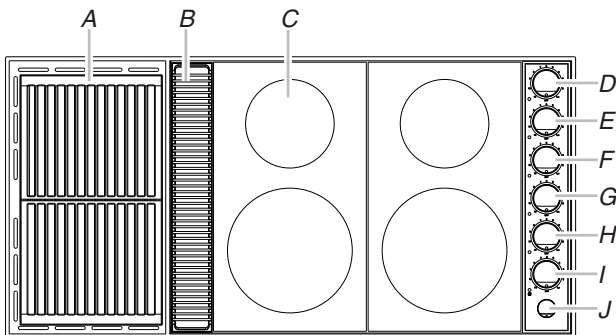
- A. Exhaust fan vent grille
- B. Grill cartridge
- C. Rear element control knob
- D. Front element control knob
- E. Exhaust fan control switch

30" (76.2 cm) CVEX4270 Double Cooktop Layout and Features



- A. Grill cartridge
- B. Exhaust fan vent grille
- C. Cooktop cartridge
- D. Left rear element control knob
- E. Left front element control knob
- F. Right rear element control knob
- G. Right front element control knob
- H. Exhaust fan control switch

45" (114.3 cm) CVE4370 Triple Cooktop Layout and Features



- A. Grill cartridge
- B. Exhaust fan vent grille
- C. Cooktop cartridge
- D. Left rear element control knob
- E. Left front element control knob
- F. Center rear element control knob
- G. Center front element control knob
- H. Right rear element control knob
- I. Right front element control knob
- J. Exhaust fan control switch

COOKTOP USE

Cooktop Controls

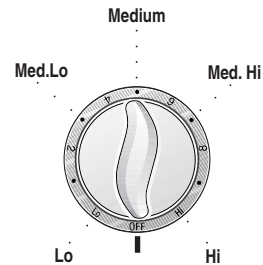
⚠ WARNING



Fire Hazard

Turn off all controls when done cooking.
Failure to do so can result in death or fire.

The controls can be set to anywhere between HI and LO.



To Use:

Push in and turn knob to desired heat setting.

Use the following chart as a guide when setting heat levels.

SETTING	RECOMMENDED USE
High	<ul style="list-style-type: none"> ■ Bring liquid to a boil.
Med. Hi	<ul style="list-style-type: none"> ■ Hold a rapid boil. ■ Quickly brown or sear food.
Medium	<ul style="list-style-type: none"> ■ Maintain a slow boil. ■ Fry or sauté foods. ■ Cook soups, sauces and gravies.
Med. Lo	<ul style="list-style-type: none"> ■ Stew or steam food. ■ Simmer.
Lo	<ul style="list-style-type: none"> ■ Keep cooked foods warm.

REMEMBER: When cooktop is in use, the entire cooktop area may become hot.

Cooktop On Indicator Light

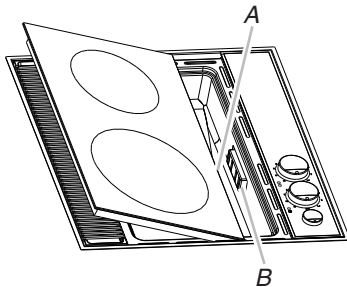
Each cooktop has a Cooktop On Indicator light. When the control knob is on, the light will glow.

Cooktop Cartridge

Cooktop cartridges (conventional coil, halogen or radiant element) can be installed on either side of the downdraft air grille on models CVEX4270 and CVEX4370. Cartridges can be installed only in one position on model CVEX4100. See the "Assistance or Service" section for information on ordering.

To Install Cooktop Cartridge:

1. Be sure control knobs are in the "Off" position and the cartridge is cool.
2. If the grill grates, element, and/or basin pan are in place, remove before installing a cooktop cartridge.
3. Clean porcelain basin of any grease accumulation. See the "Cooktop Care" section.
4. Position the cartridge terminal plug toward the terminal receptacle.



A. Cartridge terminal plug
B. Terminal receptacle

5. With the side of the cartridge raised, slide the cartridge toward the receptacle until the cartridge terminal plug is completely engaged.
6. Lower the opposite side of the cartridge into the cooktop until it is flush with the surface.

To Remove Cooktop Cartridge:

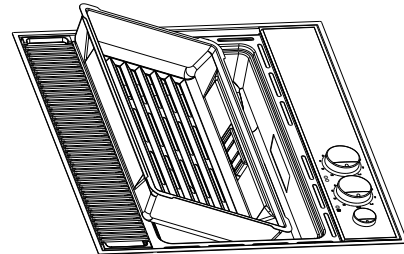
1. Be sure control knobs are in the "Off" position and the cartridge is cool.
2. Remove the exhaust fan vent grille.
On model CVEX4370: To remove the right bay cartridge, first remove the center bay cartridge.
3. Lift the cartridge side next to the ventilation chamber until the top cartridge is about 3" (7.6 cm) above the cooktop.
NOTE: To avoid damaging the terminal plug, do not lift the cartridge too high while it is still engaged in the receptacle.
4. To disengage terminal, hold cartridge by the ventilation chamber side and slide away from the terminal receptacle. Lift out when fully unplugged.
5. To avoid damage, do not stack cartridges where they may fall or be damaged or store other materials on top of the glass ceramic cartridges.

Install Grill

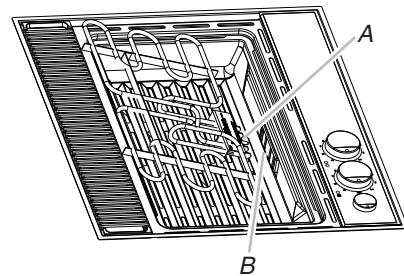
The grill accessory consists of two black grill grates, a grill element and a basin pan. The grill can be installed on either side of the downdraft air grille on models CVEX4270 and CVEX4370. The grill can be installed only in one position on model CVEX4100. See the "Assistance or Service" section for information on ordering.

To Install Grill:

1. Be sure control knobs are in the "Off" position.
2. Place the basin liner pan into the empty basin.

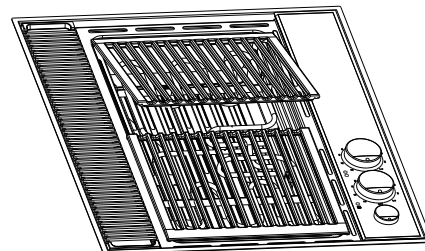


3. Position the grill element with the terminal plug toward the terminal receptacle. This receptacle is located at the front of the left side of the cooktop and at the back of the right side of the cooktop.



A. Grill element terminal plug
B. Terminal receptacle

4. Slide the grill element toward the receptacle until the terminal plug is completely engaged and all four supports rest on the sides of the basin.
5. Place the grill grates on top of the cooktop.



To Remove Grill:

1. Be sure control knobs are in the "Off" position and the grill components are cool.
2. Remove the grill grates.
3. To remove grill element, pull away from receptacle until it is unplugged.
NOTE: To avoid damaging the terminal plug, do not lift the grill element too high while it is still engaged in the receptacle.

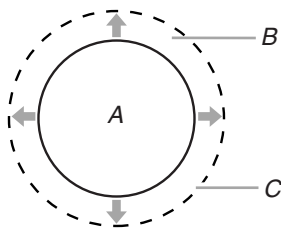
Ceramic Glass (on some models)

The surface cooking area will glow red when an element is on. It may cycle on and off to maintain the selected heat level.

It is normal for the surface of light colored ceramic glass to appear to change color when surface cooking areas are hot. As the glass cools, it will return to its original color.

Cleaning off the cooktop before and after each use will help keep it free from stains and provide the most even heating. On cooktops with light colored ceramic glass, soils and stains may be more visible, and may require more cleaning and attention. Cooktop cleaner and a cooktop scraper are recommended. For more information, see "General Cleaning" section.

- Avoid storing jars or cans above the cooktop. Dropping a heavy or hard object onto the cooktop could crack the cooktop.
- To avoid damage to the cooktop, do not leave a hot lid on the cooktop. As the cooktop cools, air can become trapped between the lid and the cooktop, and the ceramic glass could break when the lid is removed.
- For foods containing sugar in any form, clean up all spills and soils as soon as possible. Allow the cooktop to cool down slightly. Then, while wearing oven mitts, remove the spills using a scraper while the surface is still warm. If sugary spills are allowed to cool down, they can adhere to the cooktop and can cause pitting and permanent marks.
- To avoid scratches, do not slide cookware or bakeware across the cooktop. Aluminum or copper bottoms and rough finishes on cookware or bakeware could leave scratches or marks on the cooktop.
- Do not cook popcorn in prepackaged aluminum containers on the cooktop. They could leave aluminum marks that cannot be removed completely.
- To avoid damage to the cooktop, do not allow objects that could melt, such as plastic or aluminum foil, to touch any part of the entire cooktop.
- To avoid damage to the cooktop, do not use the cooktop as a cutting board.
- Use cookware about the same size as the surface cooking area. Cookware should not extend more than ½" (1.3 cm) outside the area.



A. Surface cooking area
B. Cookware/canner
C. ½" (1.3 cm) maximum overhang

- Use flat-bottomed cookware for best heat conduction and energy efficiency. Cookware with rounded, warped, ribbed or dented bottoms could cause uneven heating and poor cooking results.
- Determine flatness by placing the straight edge of a ruler across the bottom of the cookware. While you rotate the ruler, no space or light should be visible between it and the cookware.
- Make sure the bottoms of pots and pans are clean and dry before using them. Residue and water can leave deposits when heated.
- To avoid damage to the cooktop, do not cook foods directly on the cooktop.

Coil Elements and Burner Bowls

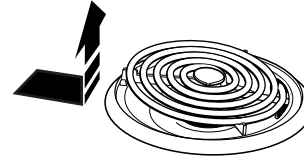
Coil elements should be level for optimal cooking results. Burner bowls, when clean, reflect heat back to the cookware. They also help catch spills.

Cookware should not extend more than ½" (1.3 cm) over the coil element. If cookware is uneven or too large, it can produce excess heat, causing the burner bowl to change color. For more information, see the "General Cleaning" section.

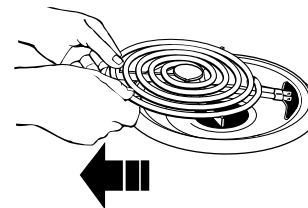
NOTE: Before removing or replacing coil elements and burner bowls, make sure they are cool and the control knobs are in the Off position.

To Remove:

1. Push in the edge of coil element toward the receptacle. Then lift it enough to clear the burner bowl.



2. Pull the coil element straight away from the receptacle.



3. Lift out the burner bowl.

To Replace:

1. Line up openings in the burner bowl with the coil element receptacle.



2. Holding the coil element as level as possible, slowly push the coil element terminal into the receptacle.
3. When the terminal is pushed into the receptacle as far as it will go, push down the edge of the coil element opposite the receptacle.

Grill Use

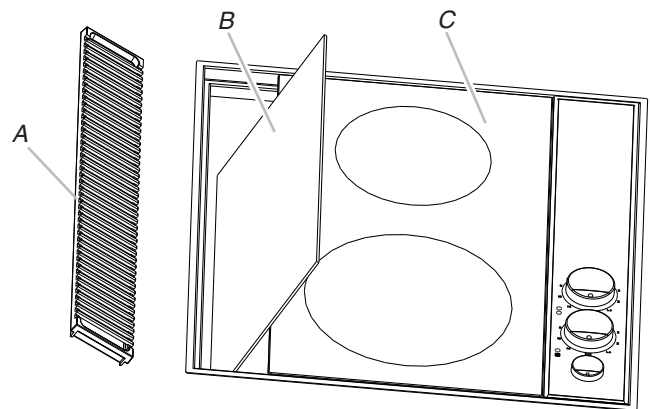
Before the first use, wash the grill grates and dry. See the "Cooktop Use" section. Then "season" the surface by wiping on a thin coating of cooking oil. Remove excess oil by wiping with paper towel. This procedure should be repeated after the grill grates are cleaned in the dishwasher (detergent may remove seasoning) or anytime a sugar-based marinade (for example, barbecue sauce) is going to be used.

- Preheat the grill on Hi for 5 minutes. Preheating improves the flavor and appearance of meats and quickly sears the meat to help retain the juices.
- For the attractive "branded" look on steaks, be sure grill is preheated.
- Allow space between food on the grill.
- Use nonmetallic spatulas or utensils to avoid damaging the nonstick grill grate finish.

- Excessive flare-ups indicate that the grill interior needs to be cleaned, or that excessive amounts of fat are in the meat, or that the meat was not properly trimmed. Only a normal amount of fat is necessary to produce the smoke needed for that smoked, “outdoor” flavor.
- Excessive fat can create cleaning and flare-up problems. Allowing excessive amounts of grease or drippings to constantly flare-up voids the warranty on the grill grates.
- If excess grease causes sustained flare-ups:
 - Turn on the fan manually.
 - Immediately turn grill controls to Off.
 - Remove meat from grill.
- Grease drippings will occasionally ignite to produce harmless puffs of flame for a second or two. This is a normal part of the cooking process.
- Do not leave the grill unattended while cooking.
- For best results, buy top grade meat. Meat that is at least ¾" (1.9 cm) thick will grill better than thinner cuts.
- Trim excess fat to reduce spattering. Slit the remaining fat on the edges to avoid curling.
- When basting meats or applying sauces to foods, remember that excessive amounts accumulate inside the grill and do not improve the food flavor. Anytime a sugar-based marinade (for example barbecue sauce) is going to be used, the grates should be “seasoned” prior to preheating. See the “Grill Use” section.
- There are many meat marinades that will help tenderize less expensive cuts of meat for cooking on the grill.
- Certain foods, such as poultry and non-oily fish, may need some extra fat. Brush with oil or melted butter occasionally while grilling.
- Use tongs with long handles or spatulas for turning meats. Do not use forks as these pierce the meat, allowing juices to be lost.
- Steaks, chops and hamburgers should be turned only once to avoid loss of juices.
- For even cooking, foods such as chicken quarters should be turned several times.
- To check for doneness of meats and poultry, use an instant read thermometer or make a small cut in the center of the food. This will avoid loss of juices.
- To avoid damage to the grill, do not use aluminum foil, charcoal or wood chips.
- To avoid damage to cookware, do not place cookware on the grill when in use. Food should be cooked directly on the grill grate.
- Do not allow grill basin pan to become overloaded with grease.
- Clean the grill grates frequently. See the “Cooktop Care” section.

Before removing or replacing grill, make sure the control knobs are turned to OFF. Allow the grill to cool completely before handling.

Downdraft Ventilation System



A. Vent grille (already removed)
 B. Removable grease filter
 C. Radiant element cartridge

The downdraft ventilation system will operate automatically on Hi while the grill element is in use.

The downdraft ventilation system consists of a vent grille, filter and vent fan. The downdraft ventilation system removes cooking vapors, odors and smoke from foods prepared on the cooktop.

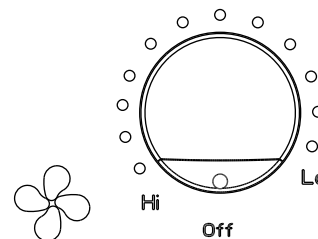
IMPORTANT: For optimal performance, operate downdraft ventilation system with the filter properly installed.

To avoid the buildup of grease, the filter should be cleaned often.

For more information on proper filter placement and cleaning, see “Downdraft Ventilation System” in the “General Cleaning” section.

To Use Manually:

Rotate the vent fan knob counterclockwise for Lo speed or clockwise for Hi speed.



Home Canning

Canning should be done only on the conventional coil cartridge. See the “Assistance or Service” section for information on ordering the canning element.

- Center the canner on the coil element. Canners should not extend more than ½" (1.3 cm) beyond the surface of the element.
- Do not place canner on 2 coil elements at the same time.
- For more information, contact your local agricultural department. Companies that manufacture home canning products can also offer assistance.

Cookware

IMPORTANT: Do not leave empty cookware on a hot surface cooking area, element or surface burner.

Ideal cookware should have a flat bottom, straight sides, and a well-fitting lid and the material should be of medium-to-heavy thickness.

Rough finishes may scratch the cooktop or grates. Aluminum and copper may be used as a core or base in cookware. However, when used as a base they can leave permanent marks on the cooktop or grates.

Cookware material is a factor in how quickly and evenly heat is transferred, which affects cooking results. A nonstick finish has the same characteristics as its base material. For example, aluminum cookware with a nonstick finish will take on the properties of aluminum.

Use the following chart as a guide for cookware material characteristics.

COOKWARE	CHARACTERISTICS
Aluminum	<ul style="list-style-type: none">■ Heats quickly and evenly.■ Suitable for all types of cooking.■ Medium or heavy thickness is best for most cooking tasks.
Cast iron	<ul style="list-style-type: none">■ Heats slowly and evenly.■ Good for browning and frying.■ Maintains heat for slow cooking.
Ceramic or Ceramic glass	<ul style="list-style-type: none">■ Follow manufacturer's instructions.■ Heats slowly, but unevenly.■ Ideal results on low to medium heat settings.
Copper	<ul style="list-style-type: none">■ Heats very quickly and evenly.
Earthenware	<ul style="list-style-type: none">■ Follow manufacturer's instructions.■ Use on low heat settings.
Porcelain enamel-on-steel or cast iron	<ul style="list-style-type: none">■ See stainless steel or cast iron.
Stainless steel	<ul style="list-style-type: none">■ Heats quickly, but unevenly.■ A core or base of aluminum or copper on stainless steel provides even heating.

COOKTOP CARE

General Cleaning

IMPORTANT: Before cleaning, make sure all controls are off and the cooktop is cool. Always follow label instructions on cleaning products.

Soap, water and a soft cloth or sponge are suggested first unless otherwise noted.

CERAMIC GLASS

To avoid damage to ceramic glass, do not use steel wool, abrasive powder cleansers, chlorine bleach, rust remover or ammonia.

Always wipe with a clean, wet cloth or sponge and dry thoroughly to avoid streaking and staining.

Cooktop Polishing Creme is recommended for regular use to help avoid scratches, pitting and abrasions, and to condition the cooktop. It may be ordered as an accessory. See "Assistance or Service" to order.

A Cooktop Scraper is also recommended for stubborn soils, and can be ordered as an accessory. See "Assistance or Service" to order. The Cooktop Scraper uses razor blades. Store razor blades out of the reach of children.

Cleaning Method:

Light to moderate soil

- Paper towels or clean damp sponge

Sugary spills (jellies, candy, syrup)

- Cooktop Scraper:

Scrape sugary spills while the cooktop is still warm. You may want to wear oven mitts while doing so.

- Cooktop Polishing Creme and clean damp paper towel:

Clean as soon as cooktop has cooled down. Rub creme into surface with a damp paper towel or soft cloth. Continue rubbing until white film disappears.

Heavy soil, dark streaks, specks and discoloration

- Cooktop Polishing Creme or nonabrasive cleanser:

Rub product into soil with a damp paper towel or soft cloth. Continue rubbing until white film disappears.

Burned-on soil

- Cooktop Polishing Creme and Cooktop Scraper:

Rub creme into soil with damp paper towel. Hold scraper as flat as possible on surface and scrape. Repeat for stubborn spots. Polish entire cooktop with creme and paper towel.

Metal marks from aluminum and copper

- Cooktop Polishing Creme:

Clean as soon as cooktop has cooled down. Rub creme into surface with a damp paper towel or soft cloth. Continue rubbing until white film disappears. The marks will not totally disappear but after many cleanings become less noticeable.

Tiny scratches and abrasions

- Cooktop Polishing Creme:

Rub creme into surface with a damp paper towel or soft cloth. Continue rubbing until white film disappears. Scratches and abrasions do not affect cooking performance and after many cleanings become less noticeable.

EXTERIOR PORCELAIN ENAMEL SURFACES

(on some models)

Food spills containing acids, such as vinegar and tomato, should be cleaned as soon as the entire appliance is cool. These spills may affect the finish.

Cleaning Method:

- Glass cleaner, mild liquid cleaner or nonabrasive scrubbing pad.
- All Purpose Appliance Cleaner Part Number 31682 (not included):
See “Assistance or Service” section to order.

COOKTOP CONTROLS

To avoid damage to the cooktop controls, do not use steel wool, abrasive cleansers or oven cleaner.

To avoid damage, do not soak knobs.

When replacing knobs, make sure knobs are in the Off position.

Do not remove seals under knobs.

Cleaning Method:

- Soap and water: Pull knobs straight away from control panel to remove.
- When replacing knobs, make sure they are in the OFF position.

STAINLESS STEEL (on some models)

To avoid damage to stainless steel surfaces, do not use soap-filled scouring pads, abrasive cleaners, Cooktop Cleaner, steel-wool pads, gritty washcloths or abrasive paper towels.

Rub in direction of grain to avoid damaging.

Cleaning Method:

- Liquid detergent or all-purpose cleaner: Rinse with clean water and dry with soft, lint-free cloth.
- Vinegar for hard water spots.

COIL ELEMENTS

Cleaning Method:

- Damp cloth: Make sure control knobs are off and elements are cool.

Do not clean or immerse in water. Soil will burn off when hot.

For more information, see “Coil Elements and Burner Bowls.”

BURNER BOWLS

Cleaning Method:

Chrome only

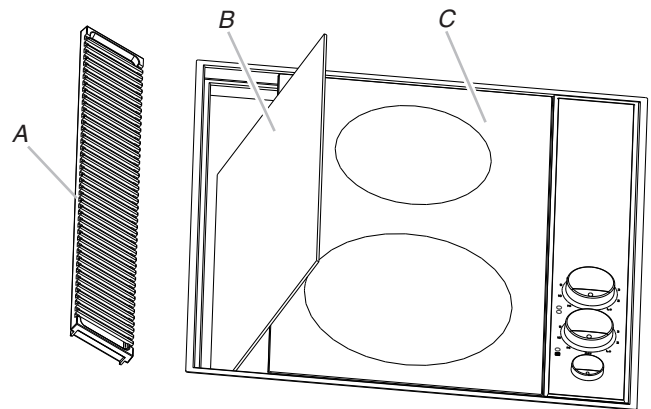
It is not recommended to wash chrome bowls in a dishwasher.

- Solution of 1 cup (125 mL) ammonia to 1 gal. (3.75 L) water:
Soak for 20 minutes, then scrub with stainless steel-wool pad.
- Oven cleaner: Follow product label instructions.
- Mildly abrasive cleanser: Scrub with wet scouring pad.

Porcelain enamel only

- Dishwasher

DOWNDRAFT VENTILATION SYSTEM



A. Vent grille (already removed)
B. Removable grease filter
C. Radiant element cartridge

Vent Grille

Cleaning Method:

- Grasp the opening and lift the vent grille off the cooktop.
- Wipe clean or wash in sink:
Nonabrasive plastic scrubbing pad and mildly abrasive cleanser
- Dishwasher:
Use mild detergent.

Removable Grease Filter

The filter is a permanent type and should be cleaned when soiled.

Cleaning Method:

- Turn off the downdraft ventilation system before removing the filter.
- Remove vent grille then lift the filter out of the vent chamber.
- Clean the filter in the sink with warm water and detergent or in the dishwasher.
- Replace the filter.

The filter should always be placed at an angle. As you face the front of the cooktop, the top of the filter should rest against the left side of the vent opening. The bottom of the filter should rest against the right side of the vent chamber at the bottom.

If the filter is flat against the fan wall, ventilation effectiveness will be reduced.

Ventilation Chamber

The ventilation chamber, which houses the filter, should be cleaned in the event of spills or when it becomes coated with a film of grease.

Cleaning Method:

- Mild household detergent or cleanser and paper towel, damp cloth or sponge:
Apply detergent or cleanser to paper towel, damp cloth or sponge, not directly to the ventilation chamber.

GRILL ASSEMBLY

Basin and Basin Pan

The basin pan and basin are located under the grill element and/or cartridges. Clean the basin and basin pan after each use of the grill.

Cleaning Method:

- Make sure control knobs are in the “Off” position and the grates and element are cool.
- Remove grates and element. See the “Install Grill” section.
- Lift the basin pan out of the basin then lift out the basin.
- Wipe clean or wash in sink:
Nonabrasive plastic scrubbing pad and mildly abrasive cleanser
- Dishwasher:
Use mild detergent.

GRATES

The grates are cast aluminum and have a nonstick finish. To avoid damaging the cooktop finish, food spills containing acids, such as vinegar and tomato, should be cleaned as soon as the cooktop and grates are cool. To avoid chipping, do not bang grates against each other or hard surfaces such as cast iron cookware.

Cleaning Method:

- Nonabrasive plastic scrubbing pad and cleaner that state they are recommended for nonstick surfaces.
Clean as soon as cooktop and grates are cool.

Dishwasher:

Use the most aggressive cycle. “Season” grates after cleaning in the dishwasher. See the “Grill Use” section.

GREASE JAR

A grease jar is located below the grill basin pan under the countertop. Check periodically to avoid spillovers. The jar can be replaced with any heat tempered jar, such as a canning jar, that has a standard screw neck. See the “Assistance or Service” section for information on ordering.

- Unscrew jar to remove.

TROUBLESHOOTING

Try the solutions suggested here first in order to avoid the cost of an unnecessary service call.

Nothing will operate

- **Has a household fuse blown, or has a circuit breaker tripped?**
Replace the fuse or reset the circuit breaker. If the problem continues, call an electrician.

Cooktop will not operate

- **Is the control knob set correctly?**
Push in knob before turning to a setting.

Excessive heat around cookware on cooktop

- **Is the cookware the proper size?**
Use cookware about the same size as the surface cooking area, element or surface burner. Cookware should not extend more than ½" (1.3 cm) outside the cooking area.

Cooktop cooking results not what expected

- **Is the proper cookware being used?**
See “Cookware” section.
- **Is the control knob set to the proper heat level?**
See “Cooktop Controls” section.
- **Is the appliance level?**
Level the appliance. See the Installation Instructions.

Downdraft performance not what expected

- **Is the filter clean?**
See “General Cleaning” section for instructions on cleaning the filter.

ASSISTANCE OR SERVICE

Before calling for assistance or service, please check “Troubleshooting.” It may save you the cost of a service call. If you still need help, follow the instructions below.

When calling, please know the purchase date and the complete model and serial number of your appliance. This information will help us to better respond to your request.

In the U.S.A.

If the problem is not due to one of the items listed in the “Troubleshooting” section...

Call the dealer from whom your appliance was purchased, or call Jenn-Air at **1-800-JENNAIR (1-800-536-6247)** to locate an authorized service company. When calling, please know the purchase date and the complete model and serial number of your appliance. Be sure to retain proof of purchase to verify warranty status.

If the dealer or service company cannot resolve your problem, write to:

Jenn-Air Brand Home Appliances
Customer eXperience Center
553 Benson Road
Benton Harbor, MI 49022-2692

Web address: www.jennair.com

Or call: **1-800-JENNAIR (1-800-536-6247)**

U.S. customers using TTY for deaf, hearing impaired or speech impaired, call: **1-800-688-2080**.

NOTE: When writing or calling about a service problem, please include the following information:

1. Your name, address and daytime telephone number.
2. Appliance model number and serial number.
3. Name and address of your dealer or servicer.
4. A clear description of the problem you are having.
5. Proof of purchase (sales receipt).

User's guides, service manuals and parts information are available from Jenn-Air Brand Home Appliances, Customer eXperience Center.

Accessories

Cooktop Cleaner

(ceramic glass models)
Order Part Number 31464

Cooktop Protectant

(ceramic glass models)
Order Part Number 31463

Cooktop Scraper

(ceramic glass models)
Order Part Number WA906B

Stainless Steel Cleaner and Polish

(stainless steel models)
Order Part Number 31462

All-Purpose Appliance Cleaner

Order Part Number 31682

Electric Griddle

(black nonstick)
Order Model Number JEA8200ADX

Grill Cover

(textured steel in black or white)
Order Model Number A341

Wok Accessories

(nonstick finish, wood handles, cover, steaming rack, rice paddles, flat bottom and cooking tips)
Order Model Number A0142

Canning Element

(use with conventional coil cooktop only)
Order Model Number A0145A

Electric Grill Accessories

(element, 2 grill grates and basin liner pan)
Order Model Number AW8000ADB

Surface Wall Cap Dampers

Jenn-Air® 6" (15.2 cm) round surface wall cap damper
Order Part Number A406

Jenn-Air® 3¼" x 10" (8.3 x 25.4 cm) round surface wall cap damper
Order Part Number A403

Grease Collection Jar

Order Part Number 8312P120-60

Replacement Grease Filter

Order Part Number 8312P121-60

Conventional Coil Cartridge

Black Porcelain - Order Model Number JEA7000ADB
Stainless Steel - Order Model Number JEA7000ADS
White Porcelain - Order Model Number JEA7000ADW

Halogen Cartridge

Black - Order Model Number JEA8130ADB
White - Order Model Number JEA8130ADW

Radiant Cartridge

Black - Order Model Number JEA8120ADB
White - Order Model Number JEA8120ADW

In Canada

If the problem is not due to one of the items listed in the "Troubleshooting" section...

Call the dealer from whom your appliance was purchased, or call Jenn-Air at **1-800-JENNAIR (1-800-536-6247)** to locate an authorized service company. When calling, please know the purchase date and the complete model and serial number of your appliance. Be sure to retain proof of purchase to verify warranty status.

If the dealer or service company cannot resolve your problem, write to:

Jenn-Air Brand Home Appliances
Customer eXperience Centre
200 - 6750 Century Ave.
Mississauga, ON L5N 0B7

Web address: www.jennair.ca

Or call: **1-800-JENNAIR (1-800-536-6247)**.

NOTE: When writing or calling about a service problem, please include the following information:

1. Your name, address and daytime telephone number.
2. Appliance model number and serial number.
3. Name and address of your dealer or servicer.
4. A clear description of the problem you are having.
5. Proof of purchase (sales receipt).

User's guides, service manuals and parts information are available from Jenn-Air Brand Home Appliances, Customer eXperience Centre.

JENN-AIR® COOKING APPLIANCE WARRANTY

LIMITED WARRANTY

For one year from the date of purchase, when this major appliance is operated and maintained according to instructions attached to or furnished with the product, Jenn-Air brand of Whirlpool Corporation or Whirlpool Canada LP (hereafter "Jenn-Air") will pay for factory specified parts and repair labor to correct defects in materials or workmanship. Service must be provided by a Jenn-Air designated service company. This limited warranty is valid only in the United States or Canada and applies only when the major appliance is used in the country in which it was purchased. Outside the 50 United States and Canada, this limited warranty does not apply. Proof of original purchase date is required to obtain service under this limited warranty.

SECOND THROUGH FIFTH YEAR LIMITED WARRANTY ON CERTAIN COMPONENT PARTS

In the second through fifth years from the date of purchase, when this appliance is operated and maintained according to instructions attached to or furnished with the product, Jenn-Air will pay for factory specified parts for the following components (if applicable to the product) if defective in materials or workmanship:

- Electric element
- Touch Pad and microprocessor
- Glass ceramic cooktop: if due to thermal breakage
- Electronic controls
- Magnetron tube
- Sealed gas burners

ITEMS EXCLUDED FROM WARRANTY

This limited warranty does not cover:

1. Service calls to correct the installation of your major appliance, to instruct you on how to use your major appliance, to replace or repair house fuses, or to correct house wiring or plumbing.
2. Service calls to repair or replace appliance light bulbs, air filters or water filters. Consumable parts are excluded from warranty coverage.
3. Repairs when your major appliance is used for other than normal, single-family household use or when it is used in a manner that is contrary to published user or operator instructions and/or installation instructions.
4. Damage resulting from accident, alteration, misuse, abuse, fire, flood, acts of God, improper installation, installation not in accordance with electrical or plumbing codes, or use of consumables or cleaning products not approved by Jenn-Air.
5. Cosmetic damage, including scratches, dents, chips or other damage to the finish of your major appliance, unless such damage results from defects in materials or workmanship and is reported to Jenn-Air within 30 days from the date of purchase.
6. Any food loss due to refrigerator or freezer product failures.
7. Costs associated with the removal from your home of your major appliance for repairs. This major appliance is designed to be repaired in the home and only in-home service is covered by this warranty.
8. Repairs to parts or systems resulting from unauthorized modifications made to the appliance.
9. Expenses for travel and transportation for product service if your major appliance is located in a remote area where service by an authorized Jenn-Air servicer is not available.
10. The removal and reinstallation of your major appliance if it is installed in an inaccessible location or is not installed in accordance with published installation instructions.
11. Major appliances with original model/serial numbers that have been removed, altered or cannot be easily determined. This warranty is void if the factory applied serial number has been altered or removed from your major appliance.

The cost of repair or replacement under these excluded circumstances shall be borne by the customer.

DISCLAIMER OF IMPLIED WARRANTIES; LIMITATION OF REMEDIES

CUSTOMER'S SOLE AND EXCLUSIVE REMEDY UNDER THIS LIMITED WARRANTY SHALL BE PRODUCT REPAIR AS PROVIDED HEREIN. IMPLIED WARRANTIES, INCLUDING WARRANTIES OF MERCHANTABILITY OR FITNESS FOR A PARTICULAR PURPOSE, ARE LIMITED TO ONE YEAR OR THE SHORTEST PERIOD ALLOWED BY LAW. JENN-AIR SHALL NOT BE LIABLE FOR INCIDENTAL OR CONSEQUENTIAL DAMAGES. SOME STATES AND PROVINCES DO NOT ALLOW THE EXCLUSION OR LIMITATION OF INCIDENTAL OR CONSEQUENTIAL DAMAGES, OR LIMITATIONS ON THE DURATION OF IMPLIED WARRANTIES OF MERCHANTABILITY OR FITNESS, SO THESE EXCLUSIONS OR LIMITATIONS MAY NOT APPLY TO YOU. THIS WARRANTY GIVES YOU SPECIFIC LEGAL RIGHTS, AND YOU MAY ALSO HAVE OTHER RIGHTS WHICH VARY FROM STATE TO STATE OR PROVINCE TO PROVINCE.

If outside the 50 United States and Canada, contact your authorized Jenn-Air dealer to determine if another warranty applies.

If you need service, first see the "Troubleshooting" section of the Use & Care Guide. After checking "Troubleshooting," you may find additional help by checking the "Assistance or Service" section or by calling us at **1-800-JENNAIR (1-800-536-6247)**. 2/13

Keep this book and your sales slip together for future reference. You must provide proof of purchase or installation date for in-warranty service.

Write down the following information about your major appliance to better help you obtain assistance or service if you ever need it. You will need to know your complete model number and serial number. You can find this information on the model and serial number label located on the product.

Dealer name _____
Address _____
Phone number _____
Model number _____
Serial number _____
Purchase date _____

SÉCURITÉ DE LA TABLE DE CUISSON

Votre sécurité et celle des autres est très importante.

Nous donnons de nombreux messages de sécurité importants dans ce manuel et sur votre appareil ménager. Assurez-vous de toujours lire tous les messages de sécurité et de vous y conformer.



Voici le symbole d'alerte de sécurité.

Ce symbole d'alerte de sécurité vous signale les dangers potentiels de décès et de blessures graves à vous et à d'autres.

Tous les messages de sécurité suivront le symbole d'alerte de sécurité et le mot "DANGER" ou "AVERTISSEMENT". Ces mots signifient :

⚠ DANGER

Risque possible de décès ou de blessure grave si vous ne suivez pas immédiatement les instructions.

⚠ AVERTISSEMENT

Risque possible de décès ou de blessure grave si vous ne suivez pas les instructions.

Tous les messages de sécurité vous diront quel est le danger potentiel et vous disent comment réduire le risque de blessure et ce qui peut se produire en cas de non-respect des instructions.

Avertissements de la proposition 65 de l'État de Californie :

AVERTISSEMENT : Ce produit contient au moins un produit chimique connu par l'État de Californie pour être à l'origine de cancers.

AVERTISSEMENT : Ce produit contient au moins un produit chimique connu par l'État de Californie pour être à l'origine de malformations et autres déficiences de naissance.

IMPORTANTES INSTRUCTIONS DE SÉCURITÉ

AVERTISSEMENT : Pour réduire le risque d'incendie, de choc électrique, de blessures ou de dommages lors de l'utilisation de la table de cuisson, observer les précautions élémentaires suivantes, y compris ce qui suit :

- **MISE EN GARDE :** Ne pas remiser dans les armoires au-dessus d'une table de cuisson, des articles que des enfants pourraient vouloir atteindre. Les enfants pourraient se brûler ou se blesser en grim pant sur la table de cuisson.
- Installation appropriée – S'assurer que la table de cuisson est correctement installée et reliée à la terre par un technicien qualifié.
- Ne jamais utiliser la table de cuisson pour réchauffer ou chauffer la pièce.
- Ne pas laisser les enfants seuls – Les enfants ne doivent pas être laissés seuls ou sans surveillance dans la pièce où la table de cuisson est en service. Ne jamais laisser les enfants s'asseoir ou se tenir sur une partie quelconque de la table de cuisson.
- Porter des vêtements appropriés – Des vêtements amples ou détachés ne doivent jamais être portés pendant l'utilisation de la table de cuisson.
- Entretien par l'utilisateur – Ne pas réparer ou remplacer toute pièce de la table de cuisson si ce n'est pas spécifiquement recommandé dans le manuel. Toute autre opération d'entretien ou de réparation doit être confiée à un technicien qualifié.
- Remisage sur la table de cuisson – Des matériaux inflammables ne doivent pas être remisés près des éléments à la surface.
- Ne pas utiliser d'eau sur un feu de graisse – Éteindre le feu ou la flamme ou utiliser un extincteur à produits chimiques secs ou à mousse.
- N'utiliser que des mitaines de four sèches – Des mitaines de four mouillées ou humides sur des surfaces chaudes peuvent provoquer des brûlures provenant de la vapeur. Ne pas laisser les mitaines de four toucher les éléments chauffants. Ne pas utiliser une serviette ou autre tissu épais.
- **NE PAS TOUCHER LES ÉLÉMENTS À LA SURFACE OU L'ESPACE PRÈS DES ÉLÉMENTS** – Les éléments de surface peuvent être chauds même lorsqu'ils ont une teinte foncée. Les endroits près des éléments à la surface peuvent devenir assez chauds pour provoquer des brûlures. Pendant et après l'utilisation, ne pas toucher les éléments chauffants et ne pas laisser les vêtements ou autres matériaux inflammables entrer en contact avec ces éléments de surface ou les endroits près des éléments, avant qu'ils soient suffisamment refroidis. Ces endroits comprennent la table de cuisson et les surfaces près de la table de la cuisson.

- Utiliser des ustensiles de format approprié – La table de cuisson est munie d'un ou de plusieurs éléments chauffants de différentes grandeurs. Choisir les ustensiles qui ont un fond plat assez grand pour couvrir l'élément chauffant de la surface de cuisson. L'utilisation d'ustensiles trop petits exposera une partie de l'élément chauffant, ce qui peut provoquer l'inflammation des vêtements. L'utilisation d'un récipient de format correct améliore l'efficacité de la cuisson.
- Ne jamais laisser les éléments de la table de cuisson sans surveillance alors qu'ils chauffent à la puissance maximale – Il pourrait en résulter une ébullition qui cause de la fumée et des renversements de corps gras qui peuvent s'enflammer.
- Ustensiles de cuisson vitrifiés – Seulement certains types d'ustensiles de verre, vitrocéramique, céramique, faïence ou autres surfaces vitrifiées conviennent pour le service sur une table de cuisson, sans bris attribuables aux changements soudains de température.
- Les poignées des ustensiles doivent être tournées vers l'intérieur et non vers le dessus des éléments adjacents – Pour réduire les risques de brûlures, d'inflammation de produits combustibles et de renversements dus à l'entrechoquement non intentionnel des ustensiles, la poignée d'un ustensile doit être positionnée de sorte qu'elle est tournée vers l'intérieur et non au-dessus des éléments de surface adjacents.
- Ne pas faire cuire sur une table de cuisson endommagée – Si la table de cuisson est brisée, les solutions de nettoyage et les renversements peuvent pénétrer dans la table brisée et créer le risque d'un choc électrique. Contacter immédiatement un technicien qualifié.
- Nettoyer la table de cuisson avec prudence – Si une éponge ou un chiffon mouillé est utilisé pour essuyer les renversements sur une surface de cuisson chaude, éviter les brûlures causées par la vapeur chaude. Certains nettoyants peuvent produire des émanations désagréables lorsqu'ils sont utilisés sur une surface chaude.

Pour les appareils avec hotte de ventilation –

- Nettoyer les hottes de ventilation fréquemment – La graisse ne doit pas s'accumuler sur la hotte ou le filtre.
- Lorsque vous flambez des aliments sous la hotte, mettre le ventilateur en marche.

Pour les appareils à éléments en spirale –

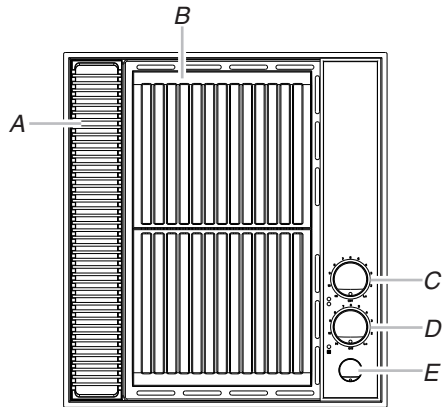
- S'assurer que les cuvettes de propreté sont en place – L'absence de ces cuvettes au cours de la cuisson peut causer des dommages aux fils ou aux composants en dessous des éléments.
- Garnissages protecteurs – Ne pas recouvrir les cuvettes de papier d'aluminium sauf tel que suggéré dans le manuel. L'installation incorrecte de papier d'aluminium ou autre matériau peut causer un risque de choc électrique ou d'incendie.
- Ne pas tremper les éléments de chauffage amovibles – Les éléments de chauffage ne doivent jamais être immergés dans l'eau.

CONSERVEZ CES INSTRUCTIONS

PIÈCES ET CARACTÉRISTIQUES

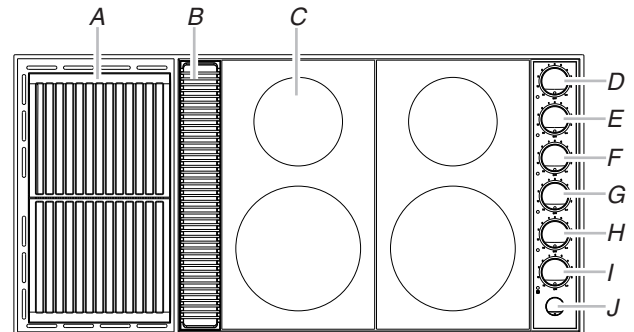
Ce manuel couvre différents modèles. La table de cuisson que vous avez achetée peut comporter tous les articles énumérés ou seulement certains d'entre eux.

Disposition et caractéristiques de la table de cuisson simple de 20" (50,8 cm) CVEX4100



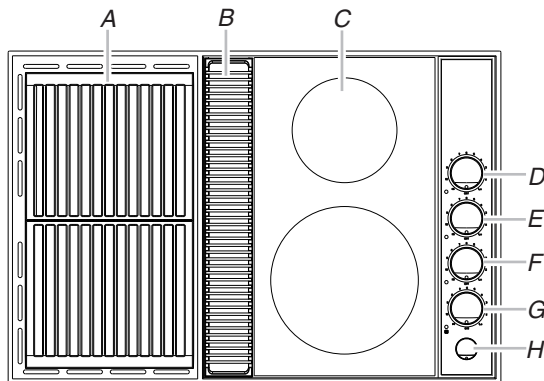
- A. Grille d'évacuation du ventilateur d'extraction
- B. Module amovible du grill
- C. Bouton de commande de l'élément arrière
- D. Bouton de commande de l'élément avant
- E. Commutateur de commande du ventilateur d'évacuation

Disposition et caractéristiques de la table de cuisson triple de 45" (114,3 cm) CVE4370



- A. Module amovible du grill
- B. Grille d'évacuation du ventilateur d'extraction
- C. Module amovible de la table de cuisson
- D. Bouton de commande de l'élément arrière gauche
- E. Bouton de commande de l'élément avant gauche
- F. Bouton de commande de l'élément arrière centre
- G. Bouton de commande de l'élément avant centre
- H. Bouton de commande de l'élément arrière droit
- I. Bouton de commande de l'élément avant droit
- J. Commutateur de commande du ventilateur d'évacuation

Disposition et caractéristiques de la table de cuisson double de 30" (76,2 cm) CVEX4270



- A. Module amovible du grill
- B. Grille d'évacuation du ventilateur d'extraction
- C. Module amovible de la table de cuisson
- D. Bouton de commande de l'élément arrière gauche
- E. Bouton de commande de l'élément avant gauche
- F. Bouton de commande de l'élément arrière droit
- G. Bouton de commande de l'élément avant droit
- H. Commutateur de commande du ventilateur d'évacuation

UTILISATION DE LA TABLE DE CUISSON

Commandes de la table de cuisson

⚠ AVERTISSEMENT

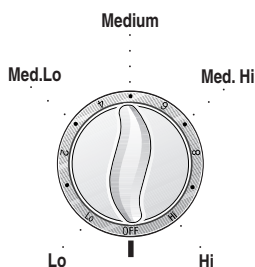


Risque d'incendie

Fermer tous les réglages lorsque la cuisson est terminée.

Le non-respect de cette instruction peut causer un décès ou un incendie.

Les commandes peuvent être réglées à n'importe quelle position entre HI et LO.



Utilisation :

Pousser et tourner le bouton au réglage de chaleur désiré.

Utiliser le tableau suivant comme guide lors du réglage des niveaux de chaleur.

RÉGLAGE	UTILISATION RECOMMANDÉE
High (élevé)	■ Porter un liquide à ébullition.
Med. Hi (moyen élevé)	■ Maintenir une ébullition rapide. ■ Brunir ou saisir rapidement les aliments.
Medium (moyen)	■ Pour Maintenir une ébullition lente. ■ Faire frire ou sauter les aliments. ■ Faire cuire les soupes et les sauces.
Med. Lo (moyen faible)	■ Pour Faire mijoter ou étuver les aliments. ■ Faire mijoter à feu doux.
Lo (bas)	■ Pour Garder au chaud les aliments cuits.

N'OUBLIEZ PAS : Quand l'appareil est utilisé, toute la surface de la table de cuisson peut devenir chaude.

Témoin lumineux d'allumage de la table de cuisson

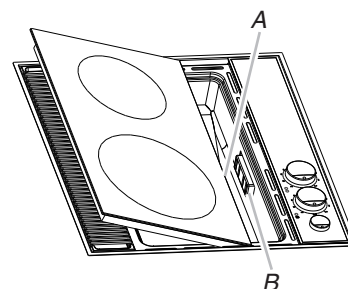
Toutes les tables de cuisson comportent un témoin lumineux d'allumage de la table de cuisson. Lorsque le bouton de commande est activé, le témoin s'allume.

Module amovible pour table de cuisson

Sur les modèles CVEX4270 et CVEX4370, les modules amovibles de table de cuisson (conventionnels en spirale, élément halogène ou de plaques chauffantes) peuvent être installés sur n'importe quel côté de la grille de ventilation avec aspiration par le bas. Pour le modèle CVEX4100, les modules amovibles ne peuvent être installés que d'une seule façon. Voir la section "Assistance ou service" pour plus d'informations sur le processus de commande.

Installation du module amovible pour table de cuisson :

1. Vérifier que les boutons de commande sont à la position d'arrêt "Off" et que le module amovible est froid.
2. Si les grilles, éléments et/ou plateau de bac du gril sont installés, les retirer avant d'installer le module amovible de la table de cuisson.
3. Nettoyer le bac en émail vitrifié pour éliminer toute accumulation de graisse. Voir la section "Entretien de la table de cuisson".
4. Orienter la prise mâle du module amovible vers la prise femelle.



A. Prise mâle du module amovible
B. Prise femelle

5. Tout en soulevant l'arrière du module amovible, faire glisser le module vers la prise femelle jusqu'à ce que la prise mâle du module soit complètement insérée.
6. Placer l'extrémité opposée du module amovible dans la table de cuisson en l'abaissant jusqu'à ce qu'elle soit en affleurement avec la surface.

Retrait du module amovible pour table de cuisson :

1. Vérifier que les boutons de commande sont à la position d'arrêt "Off" et que le module amovible est froid.
2. Retirer la grille d'évacuation du ventilateur d'extraction.
Pour le modèle CVEX4370 : Pour retirer le module amovible du compartiment de droite, retirer d'abord le module amovible du compartiment central.
3. Soulever le côté du module amovible situé à côté de la chambre d'évacuation jusqu'à ce que le module amovible supérieur se trouve à environ 3" (7,6 cm) au-dessus de la table de cuisson.
REMARQUE : Afin d'éviter d'endommager la prise mâle, ne pas trop soulever le module amovible lorsqu'il est branché dans la prise femelle.
4. Pour dégager la borne, tenir le module amovible par la partie située du côté de la chambre d'évacuation et le dégager de la prise femelle en le faisant glisser. Soulever et extraire le module amovible lorsqu'il est entièrement débranché.

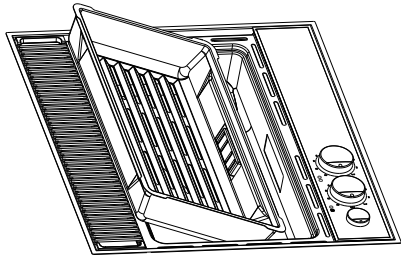
- Pour éviter tout dommage, ne pas entreposer les modules amovibles dans des endroits où ils pourraient chuter ou être endommagés, ni entreposer de matériel sur les modules amovibles en vitrocéramique.

Installation du grill

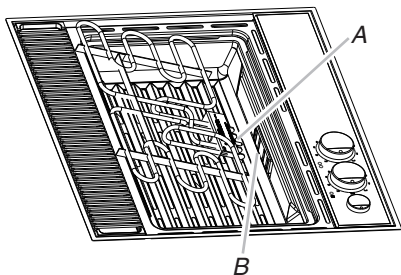
L'accessoire de grill consiste en deux grilles noires, un élément de grill et un plateau de bac. Pour les modèles CVEX4270 et CVEX4370, le grill peut être installé sur n'importe quel côté de la grille de ventilation par le bas. Pour le modèle CVEX4100, le grill ne peut être installé que d'une seule façon. Voir la section "Assistance ou service" pour plus d'informations sur le processus de commande.

Installation du grill :

- Vérifier que les boutons de commande sont à la position d'arrêt "Off".
- Placer la cuvette dans le bac vide.

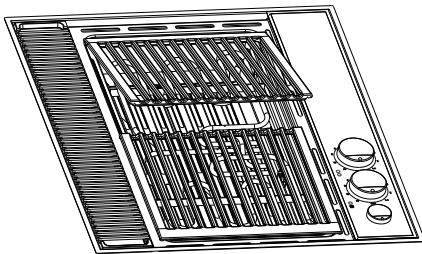


- Placer l'élément du grill de façon à ce que la prise mâle soit orientée vers la prise femelle. Cette prise se trouve à l'avant du côté gauche et à l'arrière du côté droit de la table de cuisson.



A. Prise mâle de l'élément du grill
B. Prise femelle

- Faire glisser l'élément du grill vers la prise femelle jusqu'à ce que la prise mâle soit complètement insérée et que les quatre supports reposent sur les côtés du bac.
- Placer les grilles de grill sur le dessus de la table de cuisson.



Retrait du grill :

- S'assurer que les boutons de commande sont à la position "Off" et que les composants du grill sont froids.
- Retirer les grilles du grill.
- Pour retirer l'élément du grill, le retirer de la prise femelle jusqu'à ce qu'il soit débranché.

REMARQUE : Afin d'éviter d'endommager la prise mâle, ne pas trop soulever l'élément du grill lorsqu'il est branché dans la prise femelle.

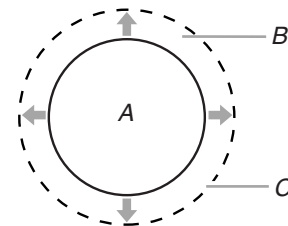
Vitrocéramique (sur certains modèles)

La surface de cuisson rougeoie lorsqu'un élément est allumé. Il s'allume et s'éteint par intermittence pour maintenir le niveau de chaleur sélectionné.

Il est normal que la surface de vitrocéramique claire semble changer de couleur lorsque les zones de cuisson à la surface sont chaudes. Lorsque le verre refroidit, il revient à sa couleur originale.

Le fait d'essuyer la table de cuisson avant et après chaque utilisation permettra d'éviter la présence de taches et d'assurer une meilleure répartition de la chaleur. Sur les tables de cuisson en vitrocéramique claire, les salissures et taches sont susceptibles d'être plus visibles et de nécessiter davantage de nettoyage et de soins. L'utilisation d'un nettoyeur pour table de cuisson et d'un grattoir est recommandée. Voir la section "Nettoyage général" pour plus de renseignements.

- Éviter de ranger des bocaux ou boîtes de conserve au-dessus de la table de cuisson. La chute d'un objet lourd ou dur sur la table de cuisson pourrait la fêler.
- Afin d'éviter d'endommager la table de cuisson, ne pas laisser un couvercle chaud sur la table de cuisson. Lorsque la table de cuisson refroidit, de l'air peut s'accumuler entre le couvercle et la table de cuisson, et la vitrocéramique pourrait se casser lorsqu'on enlève le couvercle.
- Nettoyer dès que possible tous les renversements et toutes les saletés des aliments contenant du sucre sous n'importe quelle forme. Laisser la table de cuisson refroidir légèrement. Ensuite, tout en portant des mitaines de four, nettoyer les renversements tandis que la surface est encore tiède. Si on laisse le sucre refroidir sur la table de cuisson, il se peut que celui-ci adhère à la surface et entraîne de la corrosion et des marques permanentes.
- Afin d'éviter toute égratignure, ne pas faire glisser d'ustensiles de cuisson sur la table de cuisson. Les fonds en aluminium ou en cuivre et les finis rugueux des ustensiles de cuisson pourraient laisser des égratignures ou des marques sur la table de cuisson.
- Ne pas faire cuire sur la table de cuisson du maïs soufflé dans des récipients préemballés en aluminium. Ils pourraient laisser des marques d'aluminium qui ne peuvent être complètement enlevées.
- Afin d'éviter d'endommager la table de cuisson, ne pas laisser des objets qui pourraient fondre, comme du plastique ou du papier d'aluminium, toucher une partie quelconque de la table de cuisson.
- Afin d'éviter d'endommager la table de cuisson, ne pas l'utiliser en guise de planche à découper.
- Utiliser des ustensiles de cuisson environ de la même taille que la surface de cuisson. L'ustensile de cuisson ne doit pas dépasser de plus de 1/2" (1,3 cm) hors de la zone de cuisson.



A. Zone de cuisson à la surface
B. Ustensiles de cuisson/autoclave
C. Dépassement maximum de 1/2" (1,3 cm)

- Utiliser des ustensiles de cuisson à fond plat pour une meilleure conduction de la chaleur et une meilleure utilisation de l'énergie. Les ustensiles de cuisson à fond arrondi, déformé, cannelé ou bosselé pourraient causer un chauffage inégal et des mauvais résultats de cuisson.

- Vérifier que le récipient est plat en plaçant le bord plat d'une règle en travers du fond du récipient. Lorsque l'on fait tourner la règle, aucun espace ni aucune lumière ne devrait être visible entre celle-ci et le récipient.
- S'assurer que les fonds des casseroles et poêles sont propres et secs avant de les utiliser. Les résidus et l'eau peuvent laisser des dépôts quand ils sont chauffés.
- Afin d'éviter d'endommager la table de cuisson, ne pas faire cuire d'aliments directement sur la table de cuisson.

Éléments en spirale et cuvettes de brûleur

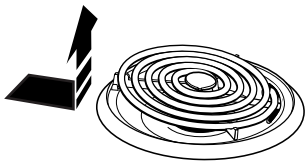
Les éléments en spirale doivent être de niveau pour une cuisson idéale. Les cuvettes de brûleur, lorsqu'elles sont propres, réfléchissent la chaleur sur l'ustensile de cuisson. Elles aident également à contenir les renversements.

Les ustensiles de cuisson ne doivent pas dépasser l'élément en spirale de plus de 1/2" (1,3 cm). Si l'ustensile de cuisson est de forme irrégulière ou trop gros, il peut produire une chaleur excessive causant la décoloration des cuvettes de brûleur. Pour plus de renseignements, voir la section "Nettoyage général".

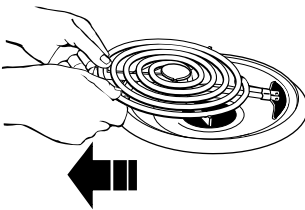
REMARQUE : Avant d'enlever ou de réinstaller les éléments en spirale et les cuvettes de brûleur, s'assurer qu'ils sont froids et que les boutons de commande sont en position d'arrêt.

Enlèvement :

1. Pousser le bord de l'élément en spirale vers la prise. Puis le soulever assez pour le dégager de la cuvette du brûleur.



2. Tirer l'élément en spirale tout droit hors de la prise.



3. Soulever la cuvette du brûleur.

Réinstallation :

1. Aligner les ouvertures de la cuvette du brûleur avec la prise de l'élément en spirale.



2. Tenir l'élément en spirale le plus possible de niveau et pousser doucement la fiche de l'élément en spirale dans la prise.
3. Lorsque la fiche de l'élément est enfoncée jusqu'au fond, appuyer sur le rebord de l'élément en spirale à l'opposé de la prise.

Utilisation du gril

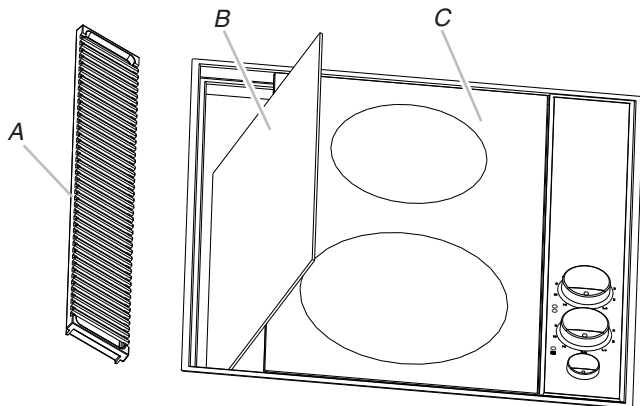
Avant la première utilisation, laver et sécher les grilles de gril. Voir la section "Utilisation de la table de cuisson". Générer une patine pour la surface en y appliquant une fine couche d'huile de cuisson. Utiliser un essuie-tout pour essuyer l'excédent d'huile. On doit répéter cette opération après que les grilles du gril aient été lavées au lave-vaisselle (le détergent peut retirer la patine) ou chaque fois que l'on utilise un liquide à base de sucre (par exemple, sauce barbecue).

- Préchauffer le gril sur Hi pendant 5 minutes. Le préchauffage rehausse le goût et l'apparence des viandes et saisit rapidement la viande pour aider à la rétention des jus de cuisson.
- Pour réaliser des "croisillons" appétissants sur les steaks, veiller à préchauffer le gril.
- Laisser de la place entre les aliments sur le gril.
- Utiliser des spatules ou ustensiles non métalliques pour éviter d'endommager le revêtement anti-adhésif des grilles du gril.
- Des montées de flammes excessives indiquent que l'intérieur du gril doit être nettoyé, que la viande comporte une quantité excessive de graisse ou que les parties grasses n'ont pas été correctement retirées. Une quantité normale de graisse est suffisante pour produire la fumée nécessaire au goût fumé d'un "barbecue en plein air".
- Une quantité excessive de graisse peut entraîner des problèmes de nettoyage et des montées de flammes. Le fait de laisser constamment des montées de flammes (déclenchées par la graisse ou les jus de cuisson) se reproduire entraîne l'annulation de la garantie sur les grilles du gril.
- Si une quantité excessive de graisse entraîne des montées de flammes constantes :
 - Mettre le ventilateur en marche manuellement.
 - Éteindre immédiatement les commandes du gril.
 - Retirer la viande du gril.
- Les jus de graisse prendront occasionnellement feu et produiront des retours de flamme inoffensifs pendant une seconde ou deux. Il s'agit là d'une étape normale du processus de cuisson.
- Ne pas laisser le gril sans surveillance pendant la cuisson.
- Pour des résultats optimaux, acheter de la viande de première qualité. Une viande d'au moins 3/4" (1,9 cm) d'épaisseur grillera mieux que des coupes de viandes plus fines.
- Enlever l'excès de graisse pour réduire les éclaboussures. Entailler le gras résiduel sur les côtés pour éviter que la viande ne se recroqueville.
- Lors de l'arrosage de viandes ou d'autres aliments avec une sauce, ne pas oublier que des quantités excessives de ces liquides s'accumulent à l'intérieur du gril et qu'elles n'améliorent nullement le goût de l'aliment. Avant chaque utilisation d'une préparation à base de sucre, (par exemple, de la sauce barbecue), les grilles doivent être "préparées" (une nouvelle patine doit être générée) avant le préchauffage. Voir la section "Utilisation du gril".
- Plusieurs types de marinades permettent d'attendrir les morceaux de viande moins onéreux et de les préparer à une cuisson au gril.
- Certains aliments tels que la volaille ou le poisson non gras peuvent nécessiter un apport de graisse extérieur. Les badigeonner d'huile ou de beurre fondu de temps à autre au cours de la cuisson.
- Utiliser des pinces ou spatules avec de longs manches pour retourner la viande. Ne pas utiliser de fourchettes car celles-ci percent la viande, ce qui entraîne la perte des jus.

- Les steaks, les côtelettes et les hamburgers ne doivent être retournés qu'une fois afin d'éviter la perte des jus de cuisson.
- Pour une cuisson uniforme, les aliments tels que les quarts de poulet doivent être retournés plusieurs fois.
- Pour vérifier le degré de cuisson des viandes et de la volaille, utiliser un thermomètre à lecture instantanée ou faire une petite entaille au centre de l'aliment. Ceci préviendra la perte des jus de cuisson.
- Afin d'éviter d'endommager le grill, ne pas utiliser de papier aluminium, de charbon ni de copeaux de bois.
- Afin d'éviter d'endommager les ustensiles de cuisson, ne pas les placer sur le grill lorsque celui-ci n'est pas utilisé. Les aliments doivent être cuits directement sur la grille du grill.
- Ne pas laisser le bac du grill se remplir excessivement de graisse.
- Nettoyer fréquemment les grilles du grill. Voir la section "Entretien de la table de cuisson".

Avant de retirer ou de remettre en place le grill, s'assurer que les boutons de commande sont placés à OFF (arrêt). Laisser le grill refroidir complètement avant de le manipuler.

Système de ventilation avec aspiration par le bas



A. Grille de ventilation (précédemment retirée)
 B. Filtre à graisse amovible
 C. Module amovible de plaques chauffantes

Le système de ventilation avec aspiration par le bas fonctionne automatiquement à Hi (élevée) lorsque l'élément du grill est utilisé.

Le système de ventilation à aspiration par le bas se compose d'une grille et d'un filtre d'évacuation, ainsi que d'un ventilateur d'évacuation. Le système de ventilation avec aspiration par le bas élimine les vapeurs et odeurs de cuisson ainsi que la fumée dégagées par les aliments préparés sur la table de cuisson.

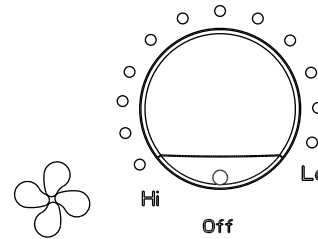
IMPORTANT : Pour un rendement optimal, faire fonctionner le système de ventilation avec aspiration par le bas lorsque le filtre est correctement installé.

Afin d'éviter une accumulation de graisse, le filtre doit être nettoyé souvent.

Pour plus d'informations sur l'installation et le nettoyage corrects du filtre, voir "Système de ventilation avec aspiration par le bas" dans la section "Nettoyage général".

Utilisation manuelle :

Pousser le commutateur du ventilateur d'évacuation vers la gauche pour la vitesse Lo (faible) ou vers la droite pour la vitesse Hi (élevée).



Mise en conserve à la maison

La mise en conserve ne peut se faire que sur le module amovible à éléments en spirale conventionnels. Voir la section "Assistance ou service" pour plus d'informations sur la commande de l'élément de mise en conserve.

- Centrer l'autoclave sur l'élément en spirale. L'autoclave ne doit pas dépasser de plus de 1/2" (1,3 cm) hors de la surface de l'élément.
- Ne pas placer l'autoclave sur 2 éléments en spirale à la fois.
- Pour plus d'informations, contacter votre service agricole local. Les compagnies qui fabriquent des produits pour la préparation de conserves peuvent aussi offrir de l'aide.

Ustensiles de cuisson

IMPORTANT : Ne pas laisser d'ustensile de cuisson vide sur une surface de cuisson, un élément ou un brûleur de surface chauds.

Les ustensiles de cuisson idéaux doivent avoir un fond plat, des parois droites, un couvercle qui ferme bien et le matériau doit être d'épaisseur moyenne à forte.

Les finis rugueux peuvent érafler la table de cuisson ou les grilles. L'aluminium et le cuivre peuvent être utilisés comme fond ou base d'un ustensile de cuisson. Toutefois, lorsqu'ils sont utilisés comme base, ils peuvent laisser des marques permanentes sur la table de cuisson ou les grilles.

Le matériau d'un ustensile de cuisson a une influence sur la rapidité et l'uniformité de la transmission de la chaleur, lesquelles contribuent aux résultats de cuisson. Un fini antiadhésif a les mêmes caractéristiques que son matériau de base. Par exemple, un ustensile de cuisson en aluminium avec un fini antiadhésif aura les propriétés de l'aluminium.

Utiliser le tableau suivant comme guide pour les caractéristiques du matériau d'ustensile de cuisson.

USTENSILE	CARACTÉRISTIQUES
Aluminium	<ul style="list-style-type: none"> ■ Chauffe rapidement et uniformément. ■ Convient à tous les genres de cuisson. ■ L'épaisseur moyenne ou forte convient le mieux pour la plupart des tâches de cuisson.
Fonte	<ul style="list-style-type: none"> ■ Chauffe lentement et uniformément. ■ Convient pour le brunissage et la friture. ■ Maintient la chaleur pour une cuisson lente.

USTENSILE	CARACTÉRISTIQUES
Céramique ou vitrocéramique	<ul style="list-style-type: none"> ■ Suivre les instructions du fabricant. ■ Chauffe lentement, mais inégalement. ■ Les meilleurs résultats sont obtenus sur les réglages de chaleur basse à moyenne.
Cuivre	<ul style="list-style-type: none"> ■ Chauffe très rapidement et uniformément.
Terre cuite	<ul style="list-style-type: none"> ■ Suivre les instructions du fabricant. ■ Utiliser des réglages de température basse.
Acier avec émailage vitrifié ou fonte émaillée	<ul style="list-style-type: none"> ■ Voir acier inoxydable ou fonte.
Acier inoxydable	<ul style="list-style-type: none"> ■ Chauffe rapidement, mais inégalement. ■ Un fond ou une base d'aluminium ou de cuivre sur l'acier inoxydable procure un chauffage uniforme.

ENTRETIEN DE LA TABLE DE CUISSON

Nettoyage général

IMPORTANT : Avant le nettoyage, s'assurer que toutes les commandes sont désactivées et que la table de cuisson est refroidie. Toujours suivre les instructions figurant sur les étiquettes des produits de nettoyage.

Du savon, de l'eau et un chiffon doux ou une éponge sont recommandés à moins d'indication contraire.

VITROCÉRAMIQUE

Afin d'éviter d'endommager la vitrocéramique, ne pas utiliser de laine d'acier, de nettoyeurs en poudre abrasifs, d'eau de Javel, de produit antirouille ou d'ammoniaque.

Toujours essuyer avec une éponge ou un linge propre mouillé et sécher à fond pour éviter les rayures et les taches.

La crème à polir pour table de cuisson est recommandée pour une utilisation ordinaire afin d'aider à éviter les éraflures et les piqûres, et pour entretenir la table de cuisson. Elle peut être commandée comme accessoire. Voir "Assistance ou service" pour commander.

Un grattoir pour table de cuisson est aussi recommandé pour les taches tenaces et peut être commandé comme accessoire. Voir "Assistance ou service" pour commander. Le grattoir pour table de cuisson utilise des lames de rasoir. Ranger les lames de rasoir hors de portée des enfants.

Méthode de nettoyage :

Souillure légère à modérée

- Essuie-tout ou éponge humide propre

Renversements de matières sucrées (gelées, confiseries, sirop)

- Grattoir pour table de cuisson :

Gratter les renversements à base de sucre pendant que la table de cuisson est encore tiède. Il est suggéré de porter des mitaines de four pour ce nettoyage.

- Crème à polir pour table de cuisson et essuie-tout propre et humide :

Nettoyer dès que la table de cuisson a refroidi. Frotter la crème sur la surface avec un essuie-tout ou un linge doux humide. Continuer de frotter jusqu'à ce que la pellicule blanche disparaisse.

Souillure épaisse, rayures foncées, piqûres et décoloration

- Crème à polir pour table de cuisson ou produit de nettoyage non abrasif :

Frotter le produit sur la souillure avec un essuie-tout ou un linge doux humide. Continuer de frotter jusqu'à ce que la pellicule blanche disparaisse.

Souillure cuite

- Crème à polir pour table de cuisson et grattoir :

Frotter la crème sur la souillure avec un essuie-tout humide. Tenir le grattoir aussi à plat que possible sur la surface et gratter. Répéter pour les taches tenaces. Polir toute la table de cuisson avec la crème et un essuie-tout.

Marques métalliques provenant de l'aluminium et du cuivre

- Crème à polir pour table de cuisson :

Nettoyer dès que la table de cuisson a refroidi. Frotter la crème sur la surface avec un essuie-tout ou un linge doux humide. Continuer de frotter jusqu'à ce que la pellicule blanche disparaisse. Les marques ne disparaîtront pas totalement, mais après plusieurs nettoyages, elles deviendront moins apparentes.

Petites éraflures et abrasions

- Crème à polir pour table de cuisson :

Frotter la crème sur la surface avec un essuie-tout ou un linge doux humide. Continuer de frotter jusqu'à ce que la pellicule blanche disparaisse. Les éraflures et les abrasions n'affectent pas le rendement et après plusieurs nettoyages, elles deviendront moins apparentes.

SURFACES EXTERNES EN ÉMAIL VITRIFIÉ (sur certains modèles)

Les renversements d'aliments contenant des produits acides, tels que vinaigre et tomates, doivent être nettoyés dès que l'appareil a refroidi. Ces renversements peuvent affecter le fini.

Méthode de nettoyage :

- Nettoyant à vitre, nettoyant doux liquide ou tampon à récuser non abrasif.
- Nettoyant tout-usage pour appareil ménager – Pièce n° 31682 (non inclus) :

Voir la section "Assistance ou service" pour commander.

COMMANDES DE LA TABLE DE CUISSON

Afin d'éviter d'endommager les commandes de la table de cuisson, ne pas utiliser de laine d'acier, de nettoyeurs abrasifs ou de nettoyeur pour four.

Afin d'éviter tout dommage, ne pas immerger les boutons de commande.

Lors de la réinstallation des boutons, s'assurer que chaque bouton est à la position Off (arrêt).

Ne pas retirer les joints sous les boutons.

Méthode de nettoyage :

- Savon et eau : Tirer les boutons directement hors du tableau de commande pour les enlever.
- Lors de la réinstallation des boutons, s'assurer que chaque bouton est à la position OFF (arrêt).

ACIER INOXYDABLE (sur certains modèles)

Afin d'éviter d'endommager les surfaces en acier inoxydable, ne pas utiliser de tampons à récurer savonneux, de nettoyants abrasifs, de crème à polir pour table de cuisson, de tampons en laine d'acier, de chiffons de lavage rêches ou d'essuie-tout abrasifs.

Frotter dans la direction du grain pour éviter les dommages.

Méthode de nettoyage :

- Détergent liquide ou nettoyant tout-usage : Rincer à l'eau propre et sécher avec un chiffon doux sans charpie.
- Vinaigre pour les taches d'eau dure.

ÉLÉMENTS EN SPIRALE

Méthode de nettoyage :

- Chiffon humide : S'assurer que les boutons de commande sont désactivés et que les éléments sont froids.

Ne pas nettoyer ni immerger dans l'eau. Les saletés brûlent lorsque les éléments sont chauffés.

Pour plus de renseignements, voir "Éléments en spirale et cuvettes des brûleurs".

CUVETTES DE BRÛLEURS

Méthode de nettoyage :

Chrome uniquement

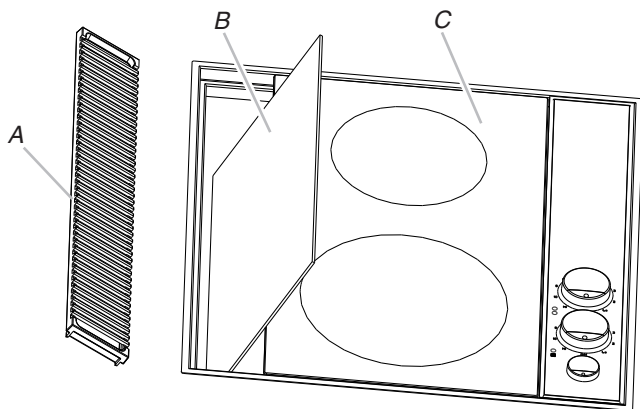
Il n'est pas recommandé de laver les cuvettes chromées au lave-vaisselle.

- Solution de 1 tasse (125 mL) d'ammoniaque par gallon (3,75 L) d'eau :
Laisser tremper pendant 20 minutes, puis frotter avec un tampon en laine d'acier inoxydable.
- Nettoyant à four : Suivre les instructions figurant sur l'étiquette du produit.
- Produit de nettoyage légèrement abrasif : Frotter avec un tampon à récurer mouillé.

Email vitrifié uniquement

- Lave-vaisselle

SYSTÈME DE VENTILATION AVEC ASPIRATION PAR LE BAS



A. Grille de ventilation (précédemment retirée)

B. Filtre à graisse amovible

C. Module amovible de plaques chauffantes

Grille de ventilation

Méthode de nettoyage :

- Saisir l'ouverture et soulever la grille de ventilation pour la dégager de la table de cuisson.
- Essuyer ou laver dans un évier :
Ustensile de récurage en plastique non abrasif et nettoyant légèrement abrasif
- Lave-vaisselle :
Utiliser un détergent doux.

Filtre à graisse amovible

Le filtre correspond à un filtre permanent et doit être nettoyé lorsqu'il est sale.

Méthode de nettoyage :

- Éteindre le système de ventilation avec aspiration par le bas avant de retirer le filtre.
- Retirer la grille de ventilation et dégager ensuite le filtre de la chambre d'évacuation en le soulevant.
- Nettoyer le filtre à l'eau tiède et au détergent dans l'évier ou au lave-vaisselle.
- Réinstaller le filtre.

Le filtre doit toujours être placé en angle. Lorsque l'on se place face à la table de cuisson, le sommet du filtre doit reposer contre le côté gauche de l'ouverture d'aération. Le fond du filtre doit reposer contre le côté droit de la chambre d'évacuation, au fond de celle-ci.

Si le filtre est à plat contre la paroi du ventilateur, l'efficacité du système de ventilation sera réduite.

Chambre d'évacuation

La chambre d'évacuation dans laquelle est logé le filtre doit être nettoyée régulièrement en cas de renversement ou si elle est recouverte d'une pellicule grasseuse.

Méthode de nettoyage :

- Détergent ou nettoyant doux pour usage domestique et essuie-tout, chiffon ou éponge humide :

Appliquer le détergent ou nettoyant sur l'essuie-tout, le chiffon ou l'éponge humide et non pas directement sur la chambre d'évacuation.

ASSEMBLAGE DU GRIL

Bac et plateau du bac

Le plateau du bac et le bac lui-même se trouvent sous l'élément et/ou les modules amovibles du gril. Nettoyer le bac et le plateau du bac après chaque utilisation du gril.

Méthode de nettoyage :

- S'assurer que les boutons de commande sont à la position "Off" et que les grilles et l'élément sont froids.
- Retirer les grilles et l'élément. Voir la section "Installation du gril".
- Soulever le plateau du bac pour le dégager du bac, puis soulever le bac lui-même.
- Essuyer ou laver dans un évier :
Ustensile de récurage en plastique non abrasif et nettoyant légèrement abrasif
- Lave-vaisselle :
Utiliser un détergent doux.

GRILLES

Les grilles sont en aluminium coulé et possèdent un revêtement anti-adhésif. Afin d'éviter d'endommager le revêtement de la table de cuisson, les renversements d'aliments contenant des produits acides, tels que vinaigre et tomates, doivent être nettoyés dès que la table de cuisson et les grilles sont froides. Pour éviter l'écaillage, ne pas entrechoquer les grilles ni les cogner contre des surfaces dures telles que des ustensiles de cuisson en fonte.

Méthode de nettoyage :

- Tampon de récurage en plastique et nettoyant non abrasifs indiquant qu'ils sont recommandés pour les surfaces anti-adhésives.

Nettoyer dès que la table de cuisson et les grilles sont froides.

Lave-vaisselle :

Utiliser le programme le plus intensif. Générer une nouvelle patine pour les grilles après le lavage au lave-vaisselle. Voir la section "Utilisation du gril".

BOCAL À GRAISSES

Un bocal de recueil à graisses se trouve sous le plateau du bac du gril, sous le plan de travail. L'inspecter régulièrement pour éviter qu'il ne déborde. Le bocal peut être remplacé par n'importe quel bocal en verre trempé, tel qu'une boîte de mise en conserve avec un embouchure à visser standard. Voir la section "Assistance ou service" pour plus d'informations sur le processus de commande.

- Dévisser le bocal pour le retrait.
-

DÉPANNAGE

Essayer les solutions suggérées ici d'abord afin d'éviter le coût d'une visite de service non nécessaire.

Rien ne fonctionne

- **Un fusible du domicile est-il grillé ou le disjoncteur s'est-il déclenché?**
Remplacer le fusible ou réenclencher le disjoncteur. Si le problème persiste, appeler un électricien.
-

La table de cuisson ne fonctionne pas

- **Le bouton de commande est-il réglé correctement?**
Pousser sur le bouton avant de le tourner à un réglage.
-

Chaleur excessive autour des ustensiles de cuisson sur la table de cuisson

- **L'ustensile de cuisson est-il de dimension appropriée?**
Utiliser un ustensile de cuisson à peu près de la même dimension que la surface de cuisson, l'élément ou le brûleur de surface. L'ustensile de cuisson ne doit pas dépasser de plus de 1/2" (1,3 cm) à l'extérieur de la zone de cuisson.
-

Les résultats de cuisson sur la table de cuisson ne sont pas les résultats prévus

- **Utilise-t-on un ustensile de cuisson approprié?**
Voir la section "Ustensiles de cuisson".
 - **Le bouton de commande est-il réglé au niveau approprié de chaleur?**
Voir la section "Commandes de la table de cuisson".
 - **L'appareil est-il d'aplomb?**
Niveler l'appareil. Voir les Instructions d'installation.
-

Rendement du système d'aspiration par le bas inférieur au rendement prévu

- **Le filtre est-il propre?**
Voir la section "Nettoyage général" pour des instructions de nettoyage du filtre.
-

ASSISTANCE OU SERVICE

Avant de faire un appel pour assistance ou service, veuillez vérifier la section "Dépannage". Cette vérification peut vous faire économiser le coût d'une visite de service. Si vous avez encore besoin d'aide, suivre les instructions ci-dessous.

Lors d'un appel, veuillez connaître la date d'achat et les numéros au complet du modèle et de la série de votre appareil. Ces renseignements nous aideront à mieux répondre à votre demande.

Accessoires

Nettoyant pour table de cuisson

(modèles avec vitrocéramique)
Commander la pièce numéro 31464

Protecteur de table de cuisson

(modèles avec vitrocéramique)
Commander la pièce numéro 31463

Grattoir pour table de cuisson

(modèles avec vitrocéramique)
Commander la pièce numéro WA906B

Nettoyant et poli pour acier inoxydable

(modèles en acier inoxydable)
Commander la pièce numéro 31462

Nettoyant tout-usage pour appareils ménagers

Commander la pièce numéro 31682

Plaque à frire électrique

(noire, anti-adhésive)
Commander le modèle numéro JEA8200ADX

Couvercle du gril

(acier texturé noir ou blanc)
Commander le modèle numéro A341

Accessoires de wok

(revêtement anti-adhésif, poignées en bois, couvercle, grille d'étuvage, spatules en bois, fond plat et conseils de cuisson)
Commander le modèle numéro A0142

Élément de mise en conserve

(utilisation avec table de cuisson conventionnelle avec éléments en spirale)
Commander le modèle numéro A0145A

Accessoires du gril électrique

(élément, 2 grilles de gril et une cuvette)
Commander le modèle numéro AW8000ADB

Clapets de bouche de décharge murale en surface

Clapet de bouche de décharge murale à surface arrondie de 6" (15,2 cm) de Jenn-Air®
Commander la pièce numéro A406

Clapet de bouche de décharge murale à surface arrondie de 3¼" x 10" (8,3 x 25,4 cm) de Jenn-Air®
Commander la pièce numéro A403

Bocal de recueil des graisses

Commander la pièce numéro 8312P120-60

Filtre à graisse de rechange

Commander la pièce numéro 8312P121-60

Module amovible pour élément en spirale conventionnel

Émail vitrifié noir - Commander le modèle numéro JEA7000ADB

Acier inoxydable - Commander le modèle numéro JEA7000ADS

Émail vitrifié blanc - Commander le modèle numéro JEA7000ADW

Module amovible halogène

Noir - Commander le modèle numéro JEA8130ADB

Blanc - Commander le modèle numéro JEA8130ADW

Module amovible de plaques chauffantes

Noir - Commander le modèle numéro JEA8120ADB

Blanc - Commander le modèle numéro JEA8120ADW

Au Canada

Si le problème n'est pas attribuable à l'une des raisons indiquées dans la section "Dépannage"...

Téléphonez au marchand qui vous a vendu l'appareil ou téléphonez à Jenn-Air en composant le **1-800-JENNAIR (1-800-536-6247)** pour localiser une compagnie de service autorisée. Lors d'un appel, veuillez connaître la date d'achat et les numéros de modèle et de série complets de votre appareil. Assurez-vous de conserver la preuve d'achat pour vérifier les conditions de la garantie.

Si le marchand ou la compagnie de service ne peut pas résoudre votre problème, écrivez à :

Jenn-Air Brand Home Appliances
Centre pour l'eXpérience avec la clientèle
200 - 6750 Century Ave.
Mississauga, ON L5N 0B7

Adresse Internet : www.jennair.ca

ou composez le **1-800-JENNAIR (1-800-536-6247)**.

REMARQUE : Pour toute correspondance ou appel au sujet d'un problème de service, veuillez inclure les renseignements suivants :

1. Vos nom, adresse et numéro de téléphone durant la journée.
2. Numéros de modèle et de série de l'appareil.
3. Nom et adresse de votre marchand ou du service d'entretien.
4. Une description claire du problème existant.
5. Preuve d'achat (reçu de vente).

Les guides de l'utilisateur, manuels d'entretien et informations sur les pièces sont disponibles auprès de Jenn-Air Brand Home Appliances, Centre pour l'eXpérience avec la clientèle.

GARANTIE DES APPAREILS DE CUISSON JENN-AIR®

GARANTIE LIMITÉE

Pendant un an à compter de la date d'achat, lorsque ce gros appareil ménager est utilisé et entretenu conformément aux instructions jointes à ou fournies avec le produit, Jenn-Air, marque de Whirlpool Corporation ou Whirlpool Canada LP (ci-après désignées "Jenn-Air") paiera pour les pièces spécifiées par l'usine et la main-d'œuvre pour corriger les vices de matériaux ou de fabrication. Le service doit être fourni par une compagnie de service désignée par Jenn-Air. Cette garantie limitée est valide uniquement aux États-Unis ou au Canada et s'applique exclusivement lorsque l'appareil est utilisé dans le pays où il a été acheté. À l'extérieur du Canada et des 50 États des États-Unis, cette garantie limitée ne s'applique pas. Une preuve de la date d'achat original est exigée pour obtenir un service dans le cadre de la présente garantie limitée.

GARANTIE LIMITÉE DE LA DEUXIÈME À LA CINQUIÈME ANNÉE INCLUSIVEMENT SUR CERTAINS COMPOSANTS

De la deuxième à la cinquième année inclusivement à compter de la date d'achat, lorsque cet appareil ménager est utilisé et entretenu conformément aux instructions jointes à ou fournies avec le produit, Jenn-Air paiera pour les pièces spécifiées par l'usine pour les composants suivants (si applicables au produit), en cas de vices de matériaux ou de fabrication :

- | | |
|---|---------------------------|
| ■ Élément électrique | ■ Commandes électroniques |
| ■ Clavier tactile et microprocesseur | ■ Tube magnétron |
| ■ Table de cuisson en vitrocéramique : en cas de bris d'origine thermique | ■ Brûleurs à gaz scellés |

ARTICLES EXCLUS DE LA GARANTIE

La présente garantie limitée ne couvre pas :

1. Les visites de service pour rectifier l'installation du gros appareil ménager, montrer à l'utilisateur comment utiliser l'appareil, remplacer ou réparer des fusibles ou rectifier le câblage ou la plomberie du domicile.
2. Les visites de service pour réparer ou remplacer les ampoules électriques de l'appareil, les filtres à air ou les filtres à eau. Les pièces consommables ne sont pas couvertes par la garantie.
3. Les réparations lorsque le gros appareil ménager est utilisé à des fins autres que l'usage unifamilial normal ou lorsque les instructions d'installation et/ou les instructions de l'opérateur ou de l'utilisateur fournies ne sont pas respectées.
4. Les dommages imputables à : accident, modification, usage impropre ou abusif, incendie, inondation, actes de Dieu, installation fautive ou installation non conforme aux codes d'électricité ou de plomberie, ou l'utilisation de pièces consommables ou de produits nettoyants non approuvés par Jenn-Air.
5. Les défauts apparents, notamment les éraflures, les bosses, fissures ou tout autre dommage au fini du gros appareil ménager, à moins que ces dommages soient dus à des vices de matériaux ou de fabrication et soient signalés à Jenn-Air dans les 30 jours suivant la date d'achat.
6. Toute perte d'aliments due à une défaillance du réfrigérateur ou du congélateur.

7. Les coûts associés au transport du gros appareil ménager du domicile pour réparation. Ce gros appareil ménager est conçu pour être réparé à domicile et seul le service à domicile est couvert par la présente garantie.
8. Les réparations aux pièces ou systèmes résultant d'une modification non autorisée faite à l'appareil.
9. Les frais de transport pour le service d'un produit si votre gros appareil est situé dans une région éloignée où un service d'entretien Jenn-Air autorisé n'est pas disponible.
10. La dépose et la réinstallation de votre gros appareil si celui-ci est installé dans un endroit inaccessible ou n'est pas installé conformément aux instructions d'installation fournies.
11. Les gros appareils ménagers dont les numéros de série et de modèle originaux ont été enlevés, modifiés ou qui ne peuvent pas être facilement identifiés. La présente garantie est nulle si le numéro de série d'usine a été modifié ou enlevé du gros appareil ménager.

Le coût d'une réparation ou d'un remplacement dans le cadre de ces circonstances exclues est à la charge du client.

CLAUSE D'EXONÉRATION DE RESPONSABILITÉ AU TITRE DES GARANTIES IMPLICITES; LIMITATION DES RECOURS

LE SEUL ET EXCLUSIF RECOURS DU CLIENT DANS LE CADRE DE LA PRÉSENTE GARANTIE LIMITÉE CONSISTE EN LA RÉPARATION PRÉVUE CI-DESSUS. LES GARANTIES IMPLICITES, Y COMPRIS LES GARANTIES APPLICABLES DE QUALITÉ MARCHANDE ET D'APTITUDE À UN USAGE PARTICULIER, SONT LIMITÉES À UN AN OU À LA PLUS COURTE PÉRIODE AUTORISÉE PAR LA LOI. JENN-AIR N'ASSUME AUCUNE RESPONSABILITÉ POUR LES DOMMAGES FORTUITS OU INDIRECTS. CERTAINES JURIDICTIONS NE PERMETTENT PAS L'EXCLUSION OU LA LIMITATION DES DOMMAGES FORTUITS OU INDIRECTS, OU LES LIMITATIONS DE LA DURÉE DES GARANTIES IMPLICITES DE QUALITÉ MARCHANDE OU D'APTITUDE À UN USAGE PARTICULIER, DE SORTE QUE CES EXCLUSIONS OU LIMITATIONS PEUVENT NE PAS S'APPLIQUER DANS VOTRE CAS. CETTE GARANTIE VOUS CONFÈRE DES DROITS JURIDIQUES SPÉCIFIQUES ET VOUS POUVEZ ÉGALEMENT JOUIR D'AUTRES DROITS QUI PEUVENT VARIER D'UNE JURIDICTION À UNE AUTRE.

Si vous résidez à l'extérieur du Canada et des 50 États des États-Unis, contactez votre marchand Jenn-Air autorisé pour déterminer si une autre garantie s'applique.

Si vous avez besoin de service, voir d'abord la section "Dépannage" du Guide d'utilisation et d'entretien. Après avoir vérifié la section "Dépannage", de l'aide supplémentaire peut être trouvée en vérifiant la section "Assistance ou service" ou en nous appelant au **1-800-JENNAIR (1-800-536-6247)**.

2/13

Conservez ce manuel et votre reçu de vente ensemble pour référence ultérieure. Pour le service sous garantie, vous devez présenter un document prouvant la date d'achat ou d'installation.

Inscrivez les renseignements suivants au sujet de votre gros appareil ménager pour mieux vous aider à obtenir assistance ou service en cas de besoin. Vous devrez connaître le numéro de modèle et le numéro de série au complet. Vous trouverez ces renseignements sur la plaque signalétique située sur le produit.

Nom du marchand _____

Adresse _____

Numéro de téléphone _____

Numéro de modèle _____

Numéro de série _____

Date d'achat _____