

JENN-AIR® GAS COOKTOP TABLE DE CUISSON À GAZ JENN-AIR®

Use & Care Guide

For questions about features, operation/performance, parts, accessories, or service in the U.S.A., call:

1-800-JENNAIR (1-800-536-6247) or visit our website at **www.jennair.com**.

In Canada, call: **1-800-JENNAIR (1-800-536-6247)**, or visit our website at **www.jennair.ca**.

Guide d'utilisation et d'entretien

Au Canada, pour assistance, installation ou service, composez le **1-800-JENNAIR (1-800-536-6247)** ou visitez notre site web à **www.jennair.ca**.

Table of Contents/Table des matières2



W11027460A

TABLE OF CONTENTS

COOKTOP SAFETY2
PARTS AND FEATURES4
COOKTOP USE5
 Cooktop Controls5
 Sealed Surface Burners5
 Surface Grates6
 Home Canning7
 Cookware7
COOKTOP CARE7
 General Cleaning7
TROUBLESHOOTING8
ASSISTANCE OR SERVICE9
 In the U.S.A.9
 In Canada9
 Accessories9
WARRANTY10

TABLE DES MATIÈRES

SÉCURITÉ DE LA TABLE DE CUISSON12
PIÈCES ET CARACTÉRISTIQUES14
UTILISATION DE LA TABLE DE CUISSON15
 Commandes de la table de cuisson15
 Brûleurs de surface scellés15
 Grilles de surface16
 Préparation de conserves à la maison17
 Ustensiles de cuisson17
ENTRETIEN DE LA TABLE DE CUISSON17
 Nettoyage général17
DÉPANNAGE18
ASSISTANCE OU SERVICE20
 Aux É.-U.20
 Au Canada20
 Accessoires20
GARANTIE21

COOKTOP SAFETY

Your safety and the safety of others are very important.

We have provided many important safety messages in this manual and on your appliance. Always read and obey all safety messages.



This is the safety alert symbol.

This symbol alerts you to potential hazards that can kill or hurt you and others.

All safety messages will follow the safety alert symbol and either the word “DANGER” or “WARNING.”

These words mean:

⚠ DANGER

You can be killed or seriously injured if you don't immediately follow instructions.

⚠ WARNING

You can be killed or seriously injured if you don't follow instructions.

All safety messages will tell you what the potential hazard is, tell you how to reduce the chance of injury, and tell you what can happen if the instructions are not followed.

WARNING: If the information in these instructions is not followed exactly, a fire or explosion may result causing property damage, personal injury or death.

- Do not store or use gasoline or other flammable vapors and liquids in the vicinity of this or any other appliance.
- **WHAT TO DO IF YOU SMELL GAS:**
 - Do not try to light any appliance.
 - Do not touch any electrical switch.
 - Do not use any phone in your building.
 - Immediately call your gas supplier from a neighbor's phone. Follow the gas supplier's instructions.
 - If you cannot reach your gas supplier, call the fire department.
- Installation and service must be performed by a qualified installer, service agency or the gas supplier.

WARNING: Gas leaks cannot always be detected by smell.

Gas suppliers recommend that you use a gas detector approved by UL or CSA.

For more information, contact your gas supplier.

If a gas leak is detected, follow the "What to do if you smell gas" instructions.

IMPORTANT SAFETY INSTRUCTIONS

WARNING: To reduce the risk of fire, electrical shock, injury to persons, or damage when using the cooktop, follow basic precautions, including the following:

- **WARNING:** NEVER use this appliance as a space heater to heat or warm the room. Doing so may result in carbon monoxide poisoning and overheating of the cooktop.
- **CAUTION:** Do not store items of interest to children in cabinets above the cooktop – children climbing on the cooktop to reach items could be seriously injured.
- Proper Installation – The cooktop, when installed, must be electrically grounded in accordance with local codes or, in the absence of local codes, with the *National Electrical Code, ANSI/NFPA70 or the Canadian Electrical Code, Part 1*. Be sure the cooktop is properly installed and grounded by a qualified technician.
- This cooktop is equipped with a three-prong grounding plug for your protection against shock hazard and should be plugged directly into a properly grounded receptacle. Do not cut or remove the grounding prong from this plug.
- Disconnect the electrical supply before servicing the cooktop.
- Injuries may result from the misuse of the cooktop such as stepping, leaning, or sitting on the top surface.
- Maintenance – Keep cooktop area clear and free from combustible materials, gasoline, and other flammable vapors and liquids.
- Storage on the cooktop – Flammable materials should not be stored on or near surface units.
- Top burner flame size should be adjusted so it does not extend beyond the edge of the cooking utensil.

SAVE THESE INSTRUCTIONS

State of California Proposition 65 Warnings:

WARNING: This product contains one or more chemicals known to the State of California to cause cancer.

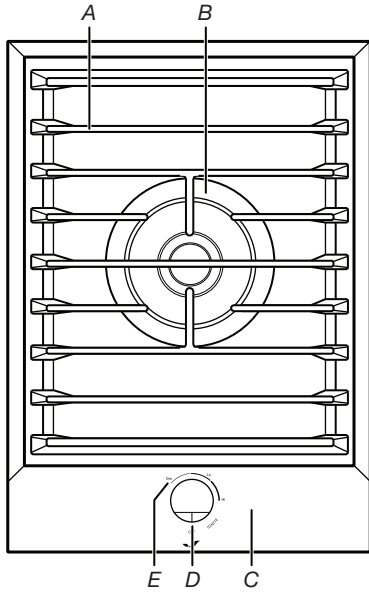
WARNING: This product contains one or more chemicals known to the State of California to cause birth defects or other reproductive harm.

PARTS AND FEATURES

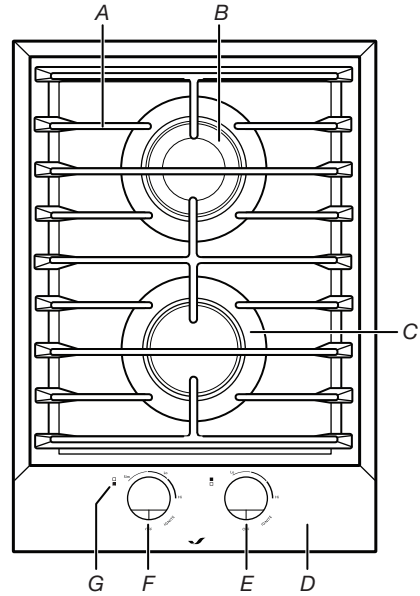
This manual covers different models. The cooktop you have purchased may have some or all of the items listed. The locations and appearances of the features shown here may not match those of your model.

15" (38.1 cm) Cooktops

IMPORTANT: See "Sealed Surface Burners" in the "Cooktop Use" section for proper burner base and cap positioning. Do not interchange burner caps.



- A. Surface burner grate
- B. Dual flame burner
- C. Control panel
- D. Lighted control knob
- E. Surface burner locator



- A. Surface burner grate
- B. Rear burner
- C. Front burner
- D. Control panel
- E. Lighted rear control knob
- F. Lighted front control knob
- G. Surface burner locator

COOKTOP USE

Cooktop Controls

⚠ WARNING



Fire Hazard

Do not let the burner flame extend beyond the edge of the pan.

Turn off all controls when not cooking.

Failure to follow these instructions can result in death or fire.

Electric igniters automatically light the surface burners when control knobs are turned to Ignite and will automatically reignite if the flame is extinguished.

If a cross draft is present, the flame may be affected and some sparking may occur. This is normal.

Before setting a control knob, place filled cookware on the grate. Do not operate a burner using empty cookware or without cookware on the grate.

NOTE: Lighted ring illuminates when valve is open.

To Set:

1. Push in and turn knob counterclockwise to Ignite.
2. Turn knob to anywhere between HI and LO. Use the following chart as a guide when setting heat levels.

SETTING	RECOMMENDED USE
HI	<ul style="list-style-type: none"> ■ Start food cooking. ■ Bring liquid to a boil. ■ Hold a rapid boil. ■ Quickly brown or sear food. ■ Fry chicken.
Medium Between HI and LO	<ul style="list-style-type: none"> ■ Maintain a slow boil. ■ Fry or sauté foods. ■ Cook soups, sauces and gravies. ■ Stew or steam food.
LO	<ul style="list-style-type: none"> ■ Simmer. ■ Keep food warm.
Simmer	<ul style="list-style-type: none"> ■ Simmer sauces.

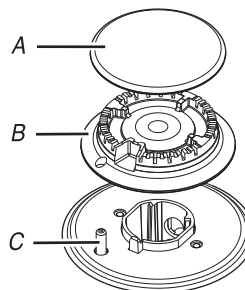
REMEMBER: When cooktop is in use, the entire cooktop area may become hot.

Power failure

In case of power failure, the surface burners can be lit manually. Hold a lit match near a burner and turn knob counterclockwise to Ignite. After burner lights, turn knob to setting.

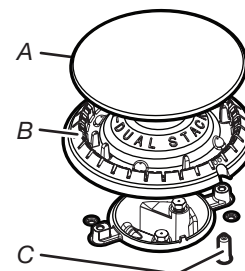
IMPORTANT: Burner reignition feature does not work without power.

Sealed Surface Burners



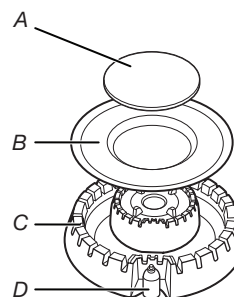
Single Burner

- A. Cap
- B. Spreader
- C. Electrode



Double Burner

- A. Cap
- B. Spreader
- C. Electrode



Dual Flame Burner

- A. Inner cap
- B. Outer cap
- C. Spreader
- D. Electrode

Burner installation:

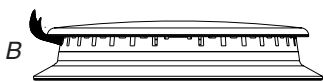
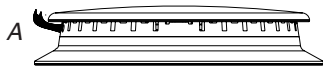
To install the burner base, insert the igniter electrode into the burner base hole or notch.

IMPORTANT: Do not obstruct the flow of combustion and ventilation air around the burner grate edges.

Burner cap: Always keep the burner cap in place when using a surface burner. A clean burner cap will help avoid poor ignition and uneven flames. Always clean the burner cap after a spillover and routinely remove and clean the caps according to the "General Cleaning" section.

Gas tube opening: Gas must flow freely throughout the gas tube opening for the burner to light properly. Keep this area free of soil and do not allow spills, food, cleaning agents or any other material to enter the gas tube opening. Keep spillovers out of gas tube by always using a burner cap.

Burner ports: Check burner flames occasionally for proper size and shape. A good flame is blue in color, not yellow. Keep this area free of soil and do not allow spills, food, cleaning agents or any other material to enter the burner ports.



Standard burner

A. Low flame

B. High flame



Dual flame burner

A. Simmer flame

B. High flame

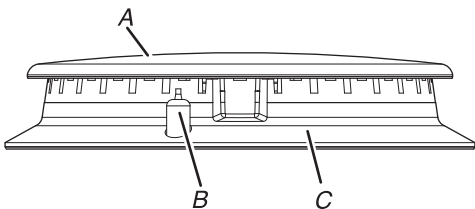
To Clean:

IMPORTANT: Before cleaning, make sure all controls are off and cooktop is cool. Do not use oven cleaners, bleach or rust removers.

1. Remove the burner cap from the burner base and clean according to the "General Cleaning" section.
2. Clean the gas tube opening with a damp cloth.
3. Replace burner bases and burner caps.

IMPORTANT:

- Be sure that the igniter electrode aligns with the slot or notch in the burner base. The igniter electrode is ceramic and could break during installation of the burner base.



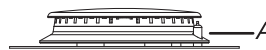
A. Burner cap

B. Igniter electrode

C. Burner base

- Be sure that the cap is properly positioned on the burner and that you have placed the cap on the correct burner. The ring on the bottom of the cap will align with the tabs on the burner. Do not interchange caps.

4. Turn on the burner. If the burner does not light, check burner cap and base alignment. See "Burner installation" in the "Sealed Surface Burners" section. If the burner still does not light, do not service the burner yourself. Contact a trained repair specialist.

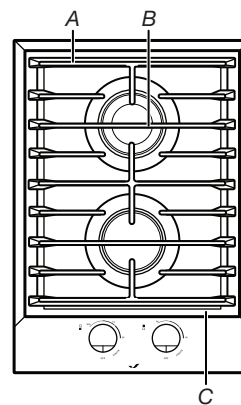
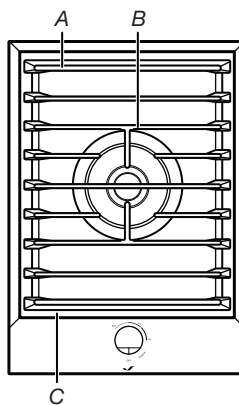


A. Correct

B. Incorrect

Surface Grates

The surface grate is positioned correctly when the thick ribs form a frame around the outer edge and the thin ribs are located across the middle. All burners will be centered with the burner openings in the grates. See the following illustration.



A. Thick ribs

B. Thin ribs

C. End grates

Home Canning

When canning for long periods, alternate the use of surface burners between batches. This allows time for the most recently used areas to cool.

- Center the canner on the grate above the burner.
 - Do not place canner on 2 surface burners at the same time.
 - For more information, contact your local agricultural department. Companies that manufacture home canning products can also offer assistance.
-

Cookware

IMPORTANT: Do not leave empty cookware on a hot surface cooking area, element, or surface burner.

Ideal cookware should have a flat bottom, straight sides, and a well-fitting lid and the material should be of medium-to-heavy thickness.

Rough finishes may scratch the cooktop. Aluminum and copper may be used as a core or base in cookware. However, when used as a base they can leave permanent marks on the cooktop or grates.

Cookware material is a factor in how quickly and evenly heat is transferred, which affects cooking results. A nonstick finish has the same characteristics as its base material.

For example, aluminum cookware with a nonstick finish will take on the properties of aluminum.

Use the following chart as a guide for cookware material characteristics.

Cookware	Characteristics
Aluminum	<ul style="list-style-type: none">■ Heats quickly and evenly.■ Suitable for all types of cooking.■ Medium or heavy thickness is best for most cooking tasks.
Cast iron	<ul style="list-style-type: none">■ Heats slowly and evenly.■ Good for browning and frying.■ Maintains heat for slow cooking.
Ceramic or ceramic glass	<ul style="list-style-type: none">■ Follow manufacturer's instructions.■ Heats slowly, but unevenly.■ Ideal results on low-to-medium heat settings.
Copper	<ul style="list-style-type: none">■ Heats very quickly and evenly.
Earthenware	<ul style="list-style-type: none">■ Follow manufacturer's instructions.■ Use on low heat settings.
Porcelain enamel on steel or cast iron	<ul style="list-style-type: none">■ See stainless steel or cast iron.
Stainless steel	<ul style="list-style-type: none">■ Heats quickly, but unevenly.■ A core or base of aluminum or copper on stainless steel provides even heating.

COOKTOP CARE

General Cleaning

IMPORTANT: Before cleaning, make sure all controls are off and the cooktop is cool. Always follow the label instructions on cleaning products.

Soap, water and a soft cloth or sponge are suggested first unless otherwise noted.

STAINLESS STEEL

To avoid damage to stainless steel surfaces, do not use soap-filled scouring pads, abrasive cleaners, cooktop cleaner, steelwool pads, gritty washcloths, abrasive paper towels, or stainless steel brightener.

Rub in the direction of the grain to avoid damaging.

Cleaning Method:

- affresh® Stainless Steel Cleaner Part Number W10355016 (not included):
See the "Assistance or Service" section to order.
 - Liquid detergent or all-purpose cleaner:
Rinse with clean water and dry with a soft, lint-free cloth.
 - Vinegar for hard water spots
-

COOKTOP CONTROLS

To avoid damage to the cooktop controls, do not use steel wool, abrasive cleansers or oven cleaner. Do not spray cleaners in the control area when the knobs are removed. Apply spray cleaners to a soft cloth or sponge, not directly on the control area.

To avoid damage, do not soak the knobs.

When replacing the knobs, make sure the knobs are in the Off position.

On some models, do not remove seals under the knobs.

Cleaning Method:

- Soap and water:
Pull the knobs straight away from the control panel to remove them.
-

CONTROL PANEL

To avoid damage to the control panel, do not use abrasive cleaners, steel-wool pads, gritty washcloths, or abrasive paper towels.

Cleaning Method:

- affresh® Kitchen and Appliance Cleaner Part Number W10355010 (not included):
See the "Assistance or Service" section to order.
-

PORCELAIN-COATED GRATES AND CAPS

Food spills containing acids, such as vinegar and tomato, should be cleaned as soon as the cooktop, grates and caps are cool. These spills may affect the finish.

To avoid chipping, do not bang the grates and caps against each other or hard surfaces such as cast iron cookware.

Do not reassemble the caps on burners while wet.

Cleaning Method:

- Nonabrasive plastic scrubbing pad and mildly abrasive cleanser:
Clean as soon as the cooktop, grates and caps are cool.
- Dishwasher (grates only, not caps):
Use the most aggressive cycle.
- Gas Grate and Drip Pan Cleaner Part Number 31617 (not included):
See the “Assistance or Service” section to order.

SURFACE BURNERS AND ELECTRONIC IGNITER

Surface Burners

See the “Sealed Surface Burners” section.

Electronic Igniter

Cleaning Method:

- Clean the ceramic post with a cotton swab:
affresh® Kitchen and Appliance Cleaner Part Number W10355010 (not included):
See the “Assistance or Service” section to order.

TROUBLESHOOTING

First try the solutions suggested here. If you need further assistance or more recommendations that may help you avoid a service call, refer to the warranty page in this manual and scan the code there with your mobile device, or visit <http://jennair.custhelp.com>. In Canada, visit <http://www.jennair.ca>.

Contact us by mail with any questions or concerns at the address below:

In the U.S.A.:


Jenn-Air Brand Home Appliances
Customer eXperience Center
553 Benson Road
Benton Harbor, MI 49022-2692

In Canada:

Jenn-Air Brand Home Appliances
Customer eXperience Centre
200 - 6750 Century Ave.
Mississauga, Ontario L5N 0B7

Please include a daytime phone number in your correspondence.

⚠ WARNING



Electrical Shock Hazard

Plug into a grounded 3 prong outlet.

Do not remove ground prong.

Do not use an adapter.

Do not use an extension cord.

Failure to follow these instructions can result in death, fire, or electrical shock.

Problem	Possible Causes and/or Solutions
Nothing will operate	Is the power supply cord unplugged? Plug into a grounded 3 prong outlet. Has a household fuse blown, or has a circuit breaker tripped? Replace the fuse or reset the circuit breaker. If the problem continues, call an electrician.
Surface burners will not operate	Is this the first time the surface burners have been used? Turn on any one of the surface burner knobs to release air from the gas lines. Is the control knob set correctly? Push the knob in before turning it to a setting. Are the burner ports clogged? See the “Sealed Surface Burners” section.
Surface burner flames are uneven, yellow and/or noisy	Are the burner ports clogged? See the “Sealed Surface Burners” section. Are the burner caps positioned properly? See the “Sealed Surface Burners” section. Is propane gas being used? The cooktop may have been converted improperly. Contact a service technician or see the “Assistance or Service” section.
Surface burner makes popping noises	Is the burner wet? Let it dry.

Problem	Possible Causes and/or Solutions
Continuous sparking of igniter	<p>Is a cross draft drawing the flame away from the igniter? This is normal when a cross draft is present.</p> <p>Is the power supply cord properly grounded/polarized? See the Installation Instructions.</p> <p>Is the burner base and/or cap positioned properly? See “To Clean” in the “Sealed Surface Burners” section.</p> <p>Has the control area been cleaned? Excessive use of liquid cleaners in the control knob area may cause continuous sparking. Let it dry.</p>
Excessive heat around cookware on cooktop	<p>Is the cookware the proper size? Use cookware about the same size as the surface cooking area, element or surface burner. Cookware should not extend more than ½" (1.3 cm) outside the cooking area.</p>
Cooktop cooking results not what expected	<p>Is the proper cookware being used? See the “Cookware” section.</p> <p>Is the control knob set to the proper heat level? See the “Cooktop Controls” section.</p> <p>Is the cooktop level? Level the cooktop. See the Installation Instructions.</p>

ASSISTANCE OR SERVICE

If you need service

Please refer to the warranty page in this manual.

If you need replacement parts

If you need to order replacement parts, we recommend that you use only factory specified parts. These factory specified parts will fit right and work right because they are made with the same precision used to build every new JENN-AIR® appliance.

To locate factory specified parts in your area, call us or your nearest JENN-AIR designated service center.

In the U.S.A.

Call the Jenn-Air Customer eXperience Center toll free:
1-800-JENNAIR (1-800-536-6247)

Our consultants provide assistance with:

- Scheduling of service. Jenn-Air® appliances designated service technicians are trained to fulfill the product warranty and provide after-warranty service anywhere in the United States.
- Features and specifications on our full line of appliances.
- Referrals to local Jenn-Air® appliance dealers.
- Installation information.
- Use and maintenance procedures.
- Accessory and repair parts sales.
- Specialized customer assistance (Spanish speaking, hearing impaired, limited vision, etc.).

To locate the Jenn-Air designated service company in your area, you can also look in your telephone directory Yellow Pages.

For further assistance:

If you need further assistance, you can write to Jenn-Air with any questions or concerns at:

Jenn-Air Brand Home Appliances
Customer eXperience Center
553 Benson Road
Benton Harbor, MI 49022-2692
Web address: www.jennair.com

Please include a daytime phone number in your correspondence.

In Canada

Call the Jenn-Air Customer eXperience Centre toll free:
1-800-JENNAIR (1-800-536-6247)

Our consultants provide assistance with:

- Scheduling of service. Jenn-Air® appliances designated service technicians are trained to fulfill the product warranty and provide after-warranty service anywhere in Canada.
- Features and specifications on our full line of appliances.
- Referrals to local Jenn-Air® appliance dealers.
- Use and maintenance procedures.
- Accessory and repair parts sales.

For further assistance:

If you need further assistance, you can write to:

Jenn-Air Brand Home Appliances
Customer eXperience Centre
200 - 6750 Century Ave.
Mississauga, Ontario L5N 0B7
Web address: www.jennair.ca

Please include a daytime phone number in your correspondence.

Accessories

To order accessories, call the Jenn-Air Customer eXperience Center toll free at **1-800-JENNAIR (1-800-536-6247)** and follow the menu prompts. Or visit our website at www.jennair.com and click on “Accessories.”

affresh® Stainless Steel Cleaner

Order Part Number W10355016

Gas Grate and Drip Pan Cleaner

Order Part Number 31617

affresh® Kitchen and Appliance Cleaner

Order Part Number W10355010

JENN-AIR® COOKING LIMITED WARRANTY

ATTACH YOUR RECEIPT HERE. PROOF OF PURCHASE IS REQUIRED TO OBTAIN WARRANTY SERVICE.

Please have the following information available when you call the Customer eXperience Center:

- Name, address and telephone number
- Model number and serial number
- A clear, detailed description of the problem
- Proof of purchase including dealer or retailer name and address

IF YOU NEED SERVICE:

1. Before contacting us to arrange service, please determine whether your product requires repair. Some questions can be addressed without service. Please take a few minutes to review the Troubleshooting or Problem Solver section of the Use and Care Guide, scan the QR code on the right to access additional resources, or visit <https://jennair.custhelp.com>.
2. All warranty service is provided exclusively by our authorized Jenn-Air Service Providers. In the U.S. and Canada, direct all requests for warranty service to:

Jenn-Air Customer eXperience Center
1-800-JENNAIR (1-800-536-6247).



<https://jennair.custhelp.com>

If outside the 50 United States or Canada, contact your authorized Jenn-Air dealer to determine whether another warranty applies.

FIVE YEAR LIMITED WARRANTY

WHAT IS COVERED

TWO YEAR LIMITED WARRANTY (PARTS & LABOR)

For two years from the date of purchase, when this major appliance is installed, operated and maintained according to instructions attached to or furnished with the product, Jenn-Air brand of Whirlpool Corporation or Whirlpool Canada, LP (hereafter "Jenn-Air") will pay for factory specified replacement parts and repair labor to correct defects in materials or workmanship that existed when this major appliance was purchased or, at its sole discretion replace the product. In the event of product replacement, your appliance will be warranted for the remaining term of the original unit's warranty period.

THIRD THROUGH FIFTH YEAR LIMITED WARRANTY (CERTAIN COMPONENT PARTS ONLY - LABOR NOT INCLUDED)

In the third through fifth years from the date of original purchase, when this major appliance is installed, operated and maintained according to instructions attached to or furnished with the product, Jenn-Air will pay for factory specified parts for the following components to correct non-cosmetic defects in materials or workmanship in these parts that prevent function of this major appliance and that existed when this major appliance was purchased. This is a limited 5-year warranty on the below named parts only and does not include repair labor.

- Electric element
- Touch Pad and microprocessor
- Glass ceramic cooktop: if due to thermal breakage
- Electronic controls
- Magnetron tube
- Sealed gas burners

YOUR SOLE AND EXCLUSIVE REMEDY UNDER THIS LIMITED WARRANTY SHALL BE PRODUCT REPAIR AS PROVIDED HEREIN. Service must be provided by a Jenn-Air designated service company. This limited warranty is valid only in the United States or Canada and applies only when the major appliance is used in the country in which it was purchased. This limited warranty is effective from the date of original consumer purchase. Proof of original purchase date is required to obtain service under this limited warranty.

WHAT IS NOT COVERED

1. Commercial, non-residential, multiple-family use, or use inconsistent with published user, operator or installation instructions.
2. In-home instruction on how to use your product.
3. Service to correct improper product maintenance or installation, installation not in accordance with electrical or plumbing codes or correction of household electrical or plumbing (i.e. house wiring, fuses or water inlet hoses).
4. Consumable parts (i.e. light bulbs, batteries, air or water filters, preservation solutions, etc.).
5. Defects or damage caused by the use of non-genuine Jenn-Air parts or accessories.
6. Conversion of products from natural gas or L.P. gas.
7. Damage from accident, misuse, abuse, fire, floods, acts of God or use with products not approved by Jenn-Air.
8. Repairs to parts or systems to correct product damage or defects caused by unauthorized service, alteration or modification of the appliance.
9. Cosmetic damage including scratches, dents, chips, and other damage to the appliance finishes unless such damage results from defects in materials and workmanship and is reported to Jenn-Air within 30 days.
10. Discoloration, rust or oxidation of surfaces resulting from caustic or corrosive environments including but not limited to high salt concentrations, high moisture or humidity or exposure to chemicals.
11. Food or medicine loss due to product failure.
12. Pick-up or delivery. This product is intended for in-home repair.
13. Travel or transportation expenses for service in remote locations where an authorized Jenn-Air servicer is not available.
14. Removal or reinstallation of inaccessible appliances or built-in fixtures (i.e. trim, decorative panels, flooring, cabinetry, islands, countertops, drywall, etc.) that interfere with servicing, removal or replacement of the product.
15. Service or parts for appliances with original model/serial numbers removed, altered or not easily determined.

The cost of repair or replacement under these excluded circumstances shall be borne by the customer.

DISCLAIMER OF IMPLIED WARRANTIES

IMPLIED WARRANTIES, INCLUDING ANY IMPLIED WARRANTY OF MERCHANTABILITY OR IMPLIED WARRANTY OF FITNESS FOR A PARTICULAR PURPOSE, ARE LIMITED TO ONE YEAR OR THE SHORTEST PERIOD ALLOWED BY LAW. Some states and provinces do not allow limitations on the duration of implied warranties of merchantability or fitness, so this limitation may not apply to you. This warranty gives you specific legal rights, and you also may have other rights that vary from state to state or province to province.

DISCLAIMER OF REPRESENTATIONS OUTSIDE OF WARRANTY

Jenn-Air makes no representations about the quality, durability, or need for service or repair of this major appliance other than the representations contained in this warranty. If you want a longer or more comprehensive warranty than the limited warranty that comes with this major appliance, you should ask Jenn-Air or your retailer about buying an extended warranty.

LIMITATION OF REMEDIES; EXCLUSION OF INCIDENTAL AND CONSEQUENTIAL DAMAGES

YOUR SOLE AND EXCLUSIVE REMEDY UNDER THIS LIMITED WARRANTY SHALL BE PRODUCT REPAIR AS PROVIDED HEREIN. JENN-AIR SHALL NOT BE LIABLE FOR INCIDENTAL OR CONSEQUENTIAL DAMAGES. Some states and provinces do not allow the exclusion or limitation of incidental or consequential damages, so these limitations and exclusions may not apply to you. This warranty gives you specific legal rights, and you also may have other rights that vary from state to state or province to province.

Notes

SÉCURITÉ DE LA TABLE DE CUISSON

Votre sécurité et celle des autres est très importante.

Nous donnons de nombreux messages de sécurité importants dans ce manuel et sur votre appareil ménager. Assurez-vous de toujours lire tous les messages de sécurité et de vous y conformer.



Voici le symbole d'alerte de sécurité.

Ce symbole d'alerte de sécurité vous signale les dangers potentiels de décès et de blessures graves à vous et à d'autres.

Tous les messages de sécurité suivront le symbole d'alerte de sécurité et le mot "DANGER" ou "AVERTISSEMENT". Ces mots signifient :

⚠ DANGER

Risque possible de décès ou de blessure grave si vous ne suivez pas immédiatement les instructions.

⚠ AVERTISSEMENT

Risque possible de décès ou de blessure grave si vous ne suivez pas les instructions.

Tous les messages de sécurité vous diront quel est le danger potentiel et vous disent comment réduire le risque de blessure et ce qui peut se produire en cas de non-respect des instructions.

AVERTISSEMENT : Si les renseignements dans ces instructions ne sont pas exactement observés, un incendie ou une explosion peut survenir, causant des dommages au produit, des blessures ou un décès.

- **Ne pas entreposer ni utiliser de l'essence ou d'autres vapeurs ou liquides inflammables à proximité de cet appareil ou de tout autre appareil électroménager.**
- **QUE FAIRE DANS LE CAS D'UNE ODEUR DE GAZ :**
 - **Ne pas tenter d'allumer un appareil.**
 - **Ne pas toucher à un commutateur électrique.**
 - **Ne pas utiliser le téléphone se trouvant sur les lieux.**
 - **Appeler immédiatement le fournisseur de gaz à partir du téléphone d'un voisin. Suivre ses instructions.**
 - **À défaut de joindre votre fournisseur de gaz, appeler les pompiers.**
- **L'installation et l'entretien doivent être effectués par un installateur qualifié, une agence de service ou le fournisseur de gaz.**

AVERTISSEMENT : L'odorat ne permet pas toujours la détection d'une fuite de gaz.

Les distributeurs de gaz recommandent l'emploi d'un détecteur de gaz (homologation UL ou CSA).

Pour d'autre information, contacter le fournisseur de gaz local.

En cas de détection d'une fuite de gaz, exécuter les instructions "Que faire dans le cas d'une odeur de gaz".

IMPORTANTES INSTRUCTIONS DE SÉCURITÉ

AVERTISSEMENT : Pour réduire le risque d'incendie, de choc électrique, de blessures ou de dommages lors de l'utilisation de la table de cuisson, il convient d'observer certaines précautions élémentaires dont les suivantes :

■ **AVERTISSEMENT** : NE JAMAIS utiliser cet appareil comme dispositif de chauffage de la pièce. Le non-respect de cette instruction peut entraîner une intoxication au monoxyde de carbone et une surchauffe de la table de cuisson.

■ **MISE EN GARDE** – Ne pas remiser dans des armoires au-dessus de la table de cuisson, des objets que des enfants pourraient vouloir atteindre. Les enfants pourraient se blesser gravement en grimpant sur la table de cuisson.

■ Installation appropriée – La table de cuisson lorsqu'elle est correctement installée doit être reliée à la terre conformément aux codes locaux ou, en l'absence de codes locaux, selon le *Code national électrique, ANSI/NFPA70* ou le *Code canadien des installations électriques, Partie 1*. S'assurer que la table de cuisson est correctement installée et reliée à la terre par un technicien qualifié.

- La table de cuisson est munie d'une fiche de liaison à la terre à trois broches pour votre protection contre les risques de choc électrique et doit être branchée directement dans une prise de courant bien reliée à la terre. Ne pas couper ni enlever la broche de liaison à la terre de cette fiche.
- Débrancher l'alimentation électrique avant d'exécuter des réparations à la table de cuisson.
- Des blessures peuvent survenir du mauvais usage de la table de cuisson tel que se tenir debout sur la surface, se pencher ou s'asseoir sur le dessus de la surface.
- Entretien – Garder l'espace autour de la table de cuisson dégagé et exempt de matériaux combustibles, d'essence et d'autres vapeurs et liquides inflammables.
- Remisage sur la table de cuisson – Des produits inflammables ne doivent pas être remisés sur ou près des éléments de surface.
- La taille de la flamme des brûleurs de surface devrait être ajustée de sorte qu'elle ne dépasse pas le bord d'un ustensile de cuisson.

CONSERVEZ CES INSTRUCTIONS

Avertissements de la proposition 65 de l'État de Californie :

AVERTISSEMENT : Ce produit contient au moins un produit chimique connu par l'État de Californie pour être à l'origine de cancers.

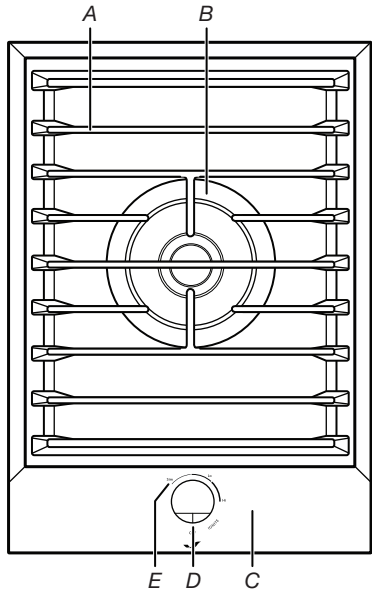
AVERTISSEMENT : Ce produit contient au moins un produit chimique connu par l'État de Californie pour être à l'origine de malformations et autres déficiences de naissance.

PIÈCES ET CARACTÉRISTIQUES

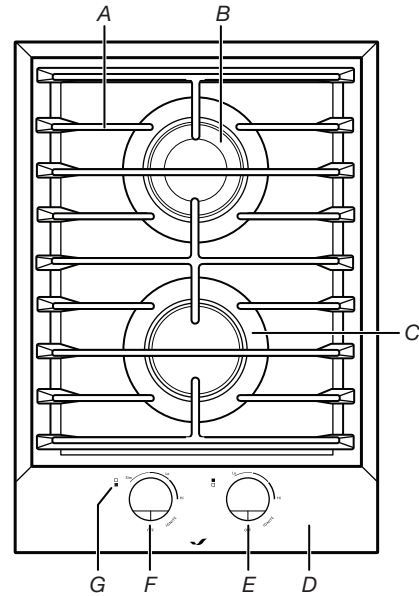
Ce manuel couvre différents modèles. La table de cuisson que vous avez achetée peut comporter tous les articles énumérés ou seulement certains d'entre eux. L'emplacement et l'apparence des caractéristiques illustrées peuvent ne pas correspondre à ceux de votre modèle.

Tables de cuisson de 15" (38,1 cm)

IMPORTANT : Voir "Brûleurs de surface scellés" dans la section "Utilisation de la table de cuisson" pour des instructions sur le positionnement approprié du chapeau et de la base des brûleurs. Ne pas permuter les chapeaux de brûleur.



- A. Grille du brûleur de surface
- B. Brûleur à double flamme
- C. Tableau de commande
- D. Bouton de commande éclairé
- E. Repère du brûleur de surface



- A. Grille du brûleur de surface
- B. Brûleur arrière
- C. Brûleur avant
- D. Tableau de commande
- E. Bouton de commande arrière éclairé
- F. Bouton de commande avant éclairé
- G. Repère du brûleur de surface

UTILISATION DE LA TABLE DE CUISSON

Commandes de la table de cuisson

⚠ AVERTISSEMENT



Risque d'incendie

La flamme d'un brûleur ne devrait pas dépasser le bord du récipient de cuisson.

Fermer tous les réglages lorsque la cuisson est terminée.

Le non-respect de ces instructions peut causer un décès ou un incendie.

Les allumeurs électriques allument automatiquement les brûleurs de surface lorsque les boutons de commande sont tournés à Ignite (enflammer) et se rallument automatiquement si la flamme s'éteint.

Un éventuel courant d'air peut affecter la flamme et provoquer la formation d'étincelles. Ceci est normal.

Avant de régler un bouton de commande, placer l'ustensile de cuisson rempli sur la grille. Ne pas faire fonctionner un brûleur avec un ustensile de cuisson vide ou sans ustensile de cuisson sur la grille.

REMARQUE : L'anneau s'illumine lorsque le robinet est ouvert.

Réglage :

1. Pousser et tourner le bouton dans le sens antihoraire à Ignite (enflammer).
2. Tourner le bouton n'importe où entre HI (élevé) et LO (bas). Utiliser le tableau suivant comme guide lors du réglage des niveaux de chaleur.

RÉGLAGE	UTILISATION RECOMMANDÉE
HI (élevé)	<ul style="list-style-type: none"> ■ Pour commencer la cuisson des aliments. ■ Pour porter un liquide à ébullition. ■ Pour maintenir une ébullition rapide. ■ Pour brunir ou saisir rapidement les aliments. ■ Pour faire frire du poulet.
Moyen Entre HI (élevé) et LO (bas)	<ul style="list-style-type: none"> ■ Pour maintenir une ébullition lente. ■ Pour faire frire ou sauter les aliments. ■ Pour cuire les soupes et les sauces. ■ Pour faire mijoter ou étuver les aliments.
LO (bas)	<ul style="list-style-type: none"> ■ Pour faire mijoter. ■ Pour garder les aliments au chaud.
Mijotage	<ul style="list-style-type: none"> ■ Pour faire mijoter des sauces.

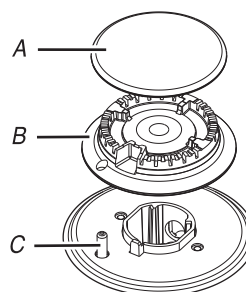
N'OUBLIEZ PAS : Quand l'appareil est utilisé, toute la surface de la table de cuisson peut devenir chaude.

Panne de courant

En cas de panne de courant, les brûleurs de surface peuvent être allumés manuellement. Tenir une allumette allumée près d'un brûleur et tourner le bouton dans le sens antihoraire à Ignite (enflammer). Une fois le brûleur allumé, tourner le bouton au réglage.

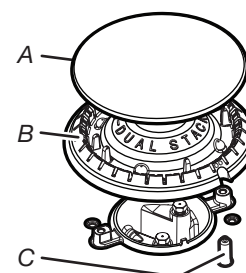
IMPORTANT : La caractéristique de rallumage de brûleur ne fonctionne pas sans alimentation électrique.

Brûleurs de surface scellés



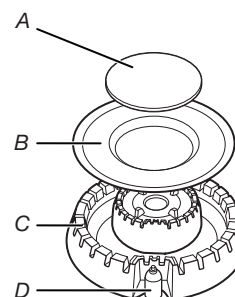
Brûleur simple

- A. Chapeau
- B. Répartiteur
- C. Électrode



Brûleur double

- A. Chapeau
- B. Répartiteur
- C. Électrode



Brûleur à double flamme

- A. Chapeau interior
- B. Chapeau exterior
- C. Répartiteur
- D. Électrode

Installation du brûleur :

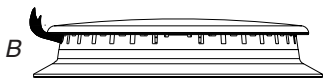
Pour installer la base du brûleur, insérer l'électrode d'allumage dans le trou ou l'encoche de la base du brûleur.

IMPORTANT : Ne pas entraver l'évacuation de l'air de combustion et de ventilation autour des bords des grilles de brûleur.

Chapeau de brûleur : Toujours garder le chapeau de brûleur en place lorsqu'un brûleur de surface est utilisé. Un chapeau de brûleur propre aide à empêcher le mauvais allumage et les flammes irrégulières. Toujours nettoyer le chapeau du brûleur après un renversement; enlever et nettoyer régulièrement les chapeaux tel qu'indiqué à la section "Nettoyage général".

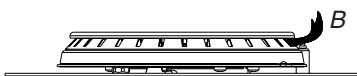
Ouverture du tube d'arrivée de gaz : Pour que la flamme s'allume convenablement, il faut que le gaz puisse passer librement à travers l'orifice. Garder cette zone propre et ne pas laisser les produits renversés, les aliments, les agents de nettoyage ou tout autre produit pénétrer dans l'ouverture du tube d'arrivée de gaz. Toujours utiliser un chapeau de brûleur pour protéger le tube d'arrivée de gaz contre tout renversement.

Orifices de brûleur : Examiner occasionnellement les flammes des brûleurs pour en vérifier la taille et la forme. Une bonne flamme est bleue plutôt que jaune. Garder cette zone exempte de souillures et ne pas laisser les produits renversés, les aliments, les agents de nettoyage ou autre produit pénétrer dans les orifices de brûleur.



Brûleur standard

- A. Débit thermique minimum
- B. Débit thermique maximum



Brûleur à double flamme

- A. Flamme de mijotage
- B. Débit thermique maximum

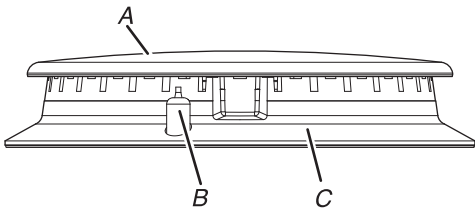
Nettoyage :

IMPORTANT : Avant le nettoyage, s'assurer que toutes les commandes sont désactivées et que la table de cuisson est froide. Ne pas utiliser de nettoyeurs à four, d'agent de blanchiment ou de décapants à rouille.

1. Enlever le chapeau de brûleur de la base du brûleur et nettoyer tel qu'indiqué à la section "Nettoyage général".
2. Nettoyer l'ouverture du tube d'arrivée de gaz avec un chiffon humide.
3. Réinstaller les bases et les chapeaux de brûleur.

IMPORTANT :

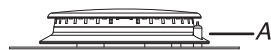
- Veiller à ce que l'électrode d'allumage soit bien alignée avec le trou ou l'encoche de la base du brûleur. L'électrode d'allumage est en céramique et peut se briser durant l'installation de la base du brûleur.



- A. Chapeau de brûleur
- B. Électrode d'allumage
- C. Base du brûleur

- S'assurer que le chapeau est correctement positionné sur le brûleur, et que le chapeau a été placé sur le brûleur correct. L'anneau sur le fond du chapeau s'aligne sur les onglets du brûleur. Ne pas permuter les chapeaux.

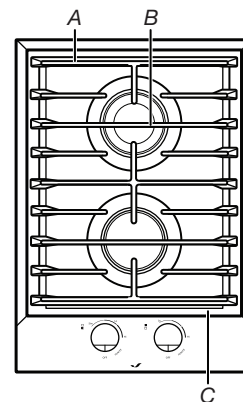
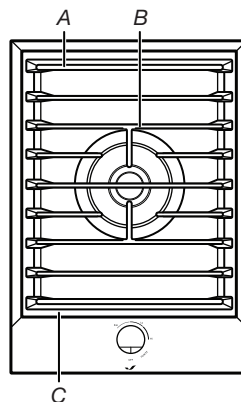
4. Allumer le brûleur. Si le brûleur ne s'allume pas, vérifier que le chapeau et la base du brûleur sont bien alignés. Voir "Installation des brûleurs" dans la section "Brûleurs de surface scellés". Si le brûleur ne s'allume toujours pas, ne pas réparer soi-même le brûleur scellé. Contacter un technicien de réparation qualifié.



- A. Correct
- B. Incorrect

Grilles de surface

La grille de surface correctement placée lorsque les tiges épaisses du cadre forment un cadre sur le pourtour externe et que les tiges minces quadrillent le centre. Tous les brûleurs seront alors centrés avec les ouvertures des brûleurs dans l'enceinte des grilles. Voir l'illustration suivante.



- A. Tiges épaisses
- B. Tiges minces
- C. Grilles latérales

Préparation de conserves à la maison

Lors de la préparation de conserves pendant de longues périodes, alterner l'utilisation des brûleurs de surface entre les quantités préparées. Cette alternance permet aux dernières surfaces utilisées de refroidir.

- Centrer l'autoclave sur la grille au-dessus du brûleur.
- Ne pas placer l'autoclave sur deux brûleurs de surface à la fois.
- Pour plus de renseignements, communiquez avec votre service local d'agriculture. Les compagnies qui fabriquent des produits pour la préparation de conserves peuvent aussi offrir de l'aide.

Ustensiles de cuisson

IMPORTANT : Ne pas laisser un ustensile de cuisson vide sur la surface chaude d'une zone de cuisson, d'un élément ou d'un brûleur de surface.

Les ustensiles de cuisson idéals doivent avoir un fond plat, des parois droites, un couvercle qui ferme bien et le matériau doit être d'épaisseur moyenne à forte.

Les surfaces rugueuses peuvent égratigner la table de cuisson. L'aluminium et le cuivre peuvent être employés comme fond ou base d'un ustensile de cuisson. Cependant, utilisés comme base, ils peuvent laisser des marques permanentes sur la table de cuisson ou les grilles.

Le matériau d'un ustensile de cuisson affecte la rapidité et l'uniformité de la transmission de la chaleur, et affecte les résultats de cuisson. Un fini antiadhésif a les mêmes caractéristiques que son matériau de base.

Par exemple, un ustensile de cuisson en aluminium avec un fini antiadhésif aura les propriétés de l'aluminium.

Utiliser le tableau suivant comme guide pour les caractéristiques du matériau de l'ustensile de cuisson.

Ustensiles	Caractéristiques
Aluminium	<ul style="list-style-type: none">■ Chauffe rapidement et uniformément.■ Convient à tous les genres de cuisson.■ L'épaisseur moyenne ou forte convient le mieux pour la plupart des tâches de cuisson.
Fonte	<ul style="list-style-type: none">■ Chauffe lentement et uniformément.■ Convient pour le brunissage et la friture.■ Maintient la chaleur pour une cuisson lente.
Céramique ou vitrocéramique	<ul style="list-style-type: none">■ Suivre les instructions du fabricant.■ Chauffe lentement mais inégalement.■ Les meilleurs résultats sont obtenus aux réglages de chaleur basse à moyenne.
Cuivre	<ul style="list-style-type: none">■ Chauffe très rapidement et uniformément.
Terre cuite	<ul style="list-style-type: none">■ Suivre les instructions du fabricant.■ Utiliser des réglages de température basse.
Acier avec émail vitrifié ou fonte émaillée	<ul style="list-style-type: none">■ Voir acier inoxydable ou fonte.
Acier inoxydable	<ul style="list-style-type: none">■ Chauffe rapidement, mais inégalement.■ Un fond ou une base d'aluminium ou de cuivre sur l'acier inoxydable procure un chauffage uniforme.

ENTRETIEN DE LA TABLE DE CUISSON

Nettoyage général

IMPORTANT : Avant le nettoyage, s'assurer que toutes les commandes sont désactivées et que la table de cuisson est refroidie. Toujours suivre les instructions figurant sur les étiquettes des produits de nettoyage.

Du savon, de l'eau et un chiffon doux ou une éponge sont recommandés, à moins d'indication contraire.

ACIER INOXYDABLE

Afin d'éviter d'endommager les surfaces en acier inoxydable, ne pas utiliser de tampons à récurer savonneux, de nettoyants abrasifs, de crème à polir pour table de cuisson, de tampons en laine d'acier, de chiffons de lavage rêches, d'essuie-tout abrasifs ou d'éclaircissant pour acier inoxydable.

Frotter dans la direction du grain pour éviter les dommages.

Méthode de nettoyage :

- Nettoyant pour acier inoxydable affresh® référence W10355016 (non fourni) : Voir la section "Assistance ou service" pour commander.
- Détergent liquide ou nettoyant tout usage : Rincer à l'eau propre et sécher avec un chiffon doux sans charpie.
- Vinaigre pour les taches d'eau dure

COMMANDES DE LA TABLE DE CUISSON

Afin d'éviter d'endommager les commandes de la table de cuisson, ne pas utiliser de laine d'acier, de nettoyants abrasifs ou de nettoyant pour four. Ne pas pulvériser de produit nettoyant dans la zone du panneau de commande lorsque les boutons ont été retirés. Appliquer le nettoyant en pulvérisateur sur un chiffon doux ou une éponge, et non pas directement sur la zone des boutons de commande.

Afin d'éviter toute détérioration, ne pas laisser tremper les boutons de commande.

Lors de la réinstallation des boutons, s'assurer que chacun d'entre eux est en position Off (arrêt).

Sur certains modèles, ne pas enlever les joints sous les boutons.

Méthode de nettoyage :

- Savon et eau : Tirer les boutons directement hors du tableau de commande pour les enlever.

TABLEAU DE COMMANDE

Afin d'éviter d'endommager le tableau de commande, ne pas utiliser de nettoyants abrasifs, de tampons en laine d'acier, de chiffons de lavage rêches ou d'essuie-tout abrasifs.

Méthode de nettoyage :

- Nettoyant pour cuisine et appareils ménagers affresh® référence W10355010 (non fourni) : Voir la section "Assistance ou service" pour commander.

GRILLES ET CHAPEAUX ÉMAILLÉS

Les renversements d'aliments contenant des produits acides, tels que vinaigre et tomates, doivent être nettoyés dès que la table de cuisson, les grilles et les chapeaux ont refroidi. Ces salissures peuvent endommager le fini.

Pour éviter l'écaillage, ne pas entrechoquer les grilles et les chapeaux ni les frapper contre des surfaces dures telles que les ustensiles en fonte.

Ne pas réinstaller les chapeaux sur les brûleurs lorsqu'ils sont mouillés.

Méthode de nettoyage :

- Ustensile de récurage en plastique non abrasif et nettoyant légèrement abrasif : Nettoyer dès que la table de cuisson, les grilles et les chapeaux ont refroidi.
- Lave-vaisselle (les grilles seulement et non les chapeaux) : Utiliser le programme le plus intensif.
- Nettoyant pour grille et plateau d'égouttement pour installation à gaz – référence 31617 (non fourni) : Voir la section "Assistance ou service" pour commander.

BRÛLEURS DE SURFACE ET ALLUMEUR ÉLECTRONIQUE

Brûleurs de surface

Voir la section "Brûleurs de surface scellés".

Allumeur électronique

Méthode de nettoyage :

- Nettoyer le pivot de céramique avec un coton tige : Nettoyant pour cuisine et appareils ménagers affresh® référence W10355010 (non fourni) : Voir la section "Assistance ou service" pour commander.

DÉPANNAGE

Essayer d'abord les solutions suggérées ici. Pour obtenir de l'aide ou des conseils qui permettront peut-être d'éviter une intervention de dépannage, consulter la page de garantie de ce manuel et balayer le code QR avec votre appareil mobile, ou visiter le site Web <http://jennair.custhelp.com>. Au Canada, visiter le <http://www.jennair.ca>.

Il est possible d'adresser vos commentaires ou questions par courrier à l'adresse ci-dessous :

Aux États-Unis :


Jenn-Air Brand Home Appliances
Customer eXperience Center
553 Benson Road
Benton Harbor, MI 49022-2692

Au Canada :

Jenn-Air Brand Home Appliances
Customer eXperience Centre
200 – 6750 Century Ave.
Mississauga, Ontario L5N 0B7

Ne pas oublier d'indiquer dans votre correspondance un numéro de téléphone où l'on peut vous joindre dans la journée.

⚠ AVERTISSEMENT



Risque de choc électrique

Brancher sur une prise à 3 alvéoles reliée à la terre.

Ne pas enlever la broche de liaison à la terre.

Ne pas utiliser un adaptateur.

Ne pas utiliser un câble de rallonge.

Le non-respect de ces instructions peut causer un décès, un incendie ou un choc électrique.

Problème	Causes et solutions possibles
Rien ne fonctionne	Le cordon d'alimentation est-il débranché? Brancher l'appareil sur une prise à 3 alvéoles reliée à la terre. Un fusible est-il grillé ou le disjoncteur s'est-il déclenché? Remplacer le fusible ou réenclencher le disjoncteur. Si le problème persiste, appeler un électricien.

Problème	Causes et solutions possibles
Les brûleurs de surface ne fonctionnent pas	<p>Est-ce la première fois que les brûleurs de surface sont utilisés? Allumer n'importe quel brûleur de surface pour libérer l'air des canalisations de gaz.</p> <p>Le bouton de commande est-il réglé correctement? Enfoncer le bouton avant de le tourner à un réglage.</p> <p>Les orifices des brûleurs sont-ils obstrués? Voir la section "Brûleurs de surface scellés".</p>
Les flammes des brûleurs de surface ne sont pas uniformes, sont de teinte jaune et/ou bruyantes	<p>Les orifices des brûleurs sont-ils obstrués? Voir la section "Brûleurs de surface scellés".</p> <p>Les chapeaux de brûleur sont-ils positionnés correctement? Voir la section "Brûleurs de surface scellés".</p> <p>Utilise-t-on du gaz propane? L'appareil a peut-être été converti incorrectement. Contacter un technicien de service ou voir la section "Assistance ou service".</p>
Le brûleur de surface fait des bruits d'éclatement	<p>Le brûleur est-il mouillé? Le laisser sécher.</p>
Génération constante d'étincelles par l'allumeur	<p>La flamme est-elle écartée de l'allumeur par un courant d'air? Ceci est normal en présence d'un courant d'air.</p> <p>Le cordon d'alimentation est-il correctement relié à la terre/polarisé? Voir les Instructions d'installation.</p> <p>La base et/ou le chapeau de brûleur sont-ils positionnés correctement? Voir "Nettoyage" dans la section "Brûleurs de surface scellés".</p> <p>La zone des commandes a-t-elle été nettoyée? Une utilisation excessive de nettoyeurs liquides dans la zone des boutons de commande peut créer des étincelles continuellement. Laisser sécher.</p>
Chaleur excessive autour des ustensiles de cuisson sur la table de cuisson	<p>L'ustensile de cuisson est-il de dimension appropriée? Utiliser un ustensile de cuisson à peu près de la même dimension que la surface de cuisson, l'élément ou le brûleur de surface. L'ustensile de cuisson ne doit pas dépasser de plus de ½" (1,3 cm) à l'extérieur de la zone de cuisson.</p>
Les résultats de cuisson sur la table de cuisson ne sont pas les résultats prévus	<p>Utilise-t-on un ustensile de cuisson approprié? Voir la section "Ustensiles de cuisson".</p> <p>Le bouton de commande est-il réglé au niveau approprié de chaleur? Voir la section "Commandes de la table de cuisson".</p> <p>L'appareil est-il d'aplomb? Mettre l'appareil d'aplomb. Voir les instructions d'installation.</p>

ASSISTANCE OU SERVICE

Si vous avez besoin de service

Consulter la page de garantie du présent manuel.

Si vous avez besoin de pièces de rechange

Si vous avez besoin de commander des pièces de rechange, nous vous recommandons d'utiliser seulement des pièces spécifiées par l'usine. Les pièces de rechange spécifiées par l'usine conviendront et fonctionneront bien parce qu'elles sont fabriquées selon la même précision que celle utilisée pour fabriquer chaque nouvel appareil JENN-AIR®.

Pour savoir où trouver des pièces spécifiées par l'usine dans votre région, nous appelons ou contactons le centre de service désigné JENN-AIR le plus proche.

Aux É.-U.

Téléphoner sans frais au Centre pour l'eXpérience de la clientèle au : **1-800-JENNAIR (1-800-536-6247)**

Nos consultants peuvent vous aider sur les points suivants :

- Programmation d'une intervention de dépannage. Les techniciens de service désignés par Jenn-Air® sont formés pour remplir la garantie de produit et fournir un service après garantie partout aux États-Unis.
- Caractéristiques et spécifications de notre gamme complète d'appareils ménagers.
- Consultez le revendeur local d'appareils Jenn-Air®.
- Renseignements d'installation.
- Procédés d'utilisation et d'entretien.
- Vente d'accessoires et de pièces de rechange.
- Assistance spécialisée au client (langue espagnole, malentendants, malvoyants, etc.).

Pour plus d'assistance

Si vous avez besoin de plus d'assistance, vous pouvez soumettre par écrit toute question ou préoccupation à l'adresse suivante :

Jenn-Air Brand Home Appliances
Customer eXperience Center
553 Benson Road
Benton Harbor, MI 49022-2692
Web address: www.jennair.com

Veuillez indiquer dans votre correspondance un numéro de téléphone où l'on peut vous joindre dans la journée.

Au Canada

Téléphoner sans frais au Centre pour l'eXpérience de la clientèle de Jenn-Air au : **1-800-JENNAIR (1-800-536-6247)**

Nos consultants fournissent de l'assistance pour :

- Programmation d'une intervention de dépannage. Les techniciens de service désignés par Jenn-Air® sont formés pour remplir la garantie des produits et fournir un service après la garantie, partout au Canada.
- Caractéristiques et spécifications de notre gamme complète d'appareils ménagers.
- Consultez le revendeur local d'appareils Jenn-Air®.
- Procédures d'utilisation et d'entretien.
- Vente d'accessoires et de pièces de rechange.

Pour plus d'assistance :

Si vous avez besoin de plus d'assistance, vous pouvez écrire à :

Jenn-Air Brand Home Appliances
Centre pour l'eXpérience de la clientèle
200 - 6750 Century Ave.
Mississauga, Ontario L5N 0B7

Adresse Internet : www.jennair.ca

Veuillez indiquer dans votre correspondance un numéro de téléphone où l'on peut vous joindre dans la journée.

Accessoires

Pour commander des accessoires, contactez le service de l'eXpérience à la clientèle Jenn-Air en composant le numéro sans frais **1-800-JENNAIR (1-800-536-6247)** et suivre les instructions du menu.

Ou visiter notre site www.jennair.com et cliquer sur "Accessories."

Nettoyant affresh® pour acier inoxydable

Commander la pièce numéro W10355016

Nettoyant pour plateau d'égouttement et grille de cuisinière à gaz

Commander la pièce numéro 31617B

Nettoyant affresh® pour cuisine et appareils ménagers

Commander la pièce numéro W10355010

GARANTIE LIMITÉE DES APPAREILS DE CUISSON JENN-AIR®

ATTACHEZ ICI VOTRE REÇU DE VENTE. UNE PREUVE D'ACHAT EST OBLIGATOIRE POUR OBTENIR L'APPLICATION DE LA GARANTIE.

Lorsque vous appelez le centre d'expérience de la clientèle, veuillez garder à disposition les renseignements suivants :

- Nom, adresse et numéro de téléphone
- Numéros de modèle et de série
- Une description claire et détaillée du problème rencontré
- Une preuve d'achat incluant le nom et l'adresse du marchand ou du détaillant

SI VOUS AVEZ BESOIN DE SERVICE :

1. Avant de nous contacter pour obtenir un dépannage, veuillez déterminer si des réparations sont nécessaires pour votre produit. Certains problèmes peuvent être résolus sans intervention de dépannage. Prenez quelques minutes pour parcourir la section Dépannage ou Résolution de problèmes du guide d'utilisation et d'entretien, scannez le code QR ci-contre avec votre téléphone intelligent pour accéder à des ressources supplémentaires, ou rendez-vous sur le site <https://www.jennair.ca>.
2. Tout service sous garantie doit être effectué exclusivement par nos fournisseurs de dépannage autorisés Jenn-Air. Aux É.-U. et au Canada, dirigez toutes vos demandes de service sous garantie au

Centre d'expérience de la clientèle Jenn-Air
1-800-JENNAIR (1-800-536-6247).

Si vous résidez à l'extérieur du Canada et des 50 États des États-Unis, contactez votre marchand Jenn-Air autorisé pour déterminer si une autre garantie s'applique.



<https://www.jennair.ca>

GARANTIE LIMITÉE DE CINQ ANS

CE QUI EST COUVERT

GARANTIE LIMITÉE DE DEUX ANS (PIÈCES ET MAIN-D'ŒUVRE)

Pendant deux ans à compter de la date d'achat, lorsque ce gros appareil ménager est installé, utilisé et entretenu conformément aux instructions jointes au produit ou fournies avec, la marque Jenn-Air de Whirlpool Corporation ou Whirlpool Canada, LP (ci-après désignées "Jenn-Air") paiera pour les pièces de rechange spécifiées par l'usine et pour la main-d'œuvre pour corriger les vices de matériaux ou de fabrication qui existaient déjà lorsque ce gros appareil ménager a été acheté. S'il est remplacé, l'appareil sera couvert pour la période restant à courir de la garantie limitée d'un an du produit d'origine.

GARANTIE LIMITÉE DE LA TROISIÈME À LA CINQUIÈME ANNÉE (CERTAINS COMPOSANTS UNIQUEMENT - MAIN-D'ŒUVRE NON COMPRIS)

De la troisième à la cinquième année inclusivement à compter de la date d'achat initiale, lorsque ce gros appareil ménager est installé, utilisé et entretenu conformément aux instructions jointes au produit ou fournies avec, Jenn-Air paiera pour les pièces de rechange spécifiées par l'usine concernant les composants suivants pour corriger les défauts non esthétiques de matériau ou de fabrication desdites pièces qui empêchent le gros appareil de fonctionner et qui étaient déjà présentes lorsque ce gros appareil ménager a été acheté. La présente garantie est une garantie limitée de 5 ans sur les pièces énumérées ci-dessous et elle ne comprend pas la main-d'œuvre de réparation.

- Élément électrique
- Clavier tactile et microprocesseur
- Table de cuisson en vitrocéramique : en cas de bris d'origine thermique
- Commandes électroniques
- Tube magnétron
- Brûleurs à gaz scellés

LE SEUL ET EXCLUSIF RECOURS DU CLIENT DANS LE CADRE DE LA PRÉSENTE GARANTIE LIMITÉE CONSISTE EN LA RÉPARATION PRÉVUE PAR LA PRÉSENTE. Le service doit être fourni par une compagnie de service désignée par Jenn-Air. Cette garantie limitée est valide uniquement aux États-Unis ou au Canada et s'applique exclusivement lorsque le gros appareil ménager est utilisé dans le pays où il a été acheté. La présente garantie limitée est valable à compter de la date d'achat initial par le consommateur. Une preuve de la date d'achat initial est exigée pour obtenir un dépannage dans le cadre de la présente garantie limitée.

CE QUI N'EST PAS COUVERT

1. Usage commercial, non résidentiel ou par plusieurs familles, ou non-respect des instructions de l'utilisateur, de l'opérateur ou des instructions d'installation.
2. Visite d'instruction à domicile pour montrer à l'utilisateur comment utiliser l'appareil.
3. Visites de service pour rectifier une installation ou un entretien fautifs du produit, une installation non conforme aux codes d'électricité ou de plomberie, ou la rectification de l'installation électrique ou de la plomberie du domicile (ex : câblage électrique, fusibles ou tuyaux d'arrivée d'eau du domicile).
4. Pièces consommables (ex : ampoules, batteries, filtres à air ou à eau, solutions de conservation, etc.).
5. Défauts ou dommage résultant de l'utilisation de pièces ou accessoires Jenn-Air non authentiques.
6. Conversion de votre produit du gaz naturel ou du gaz de pétrole liquéfié.
7. Dommages causés par : accident, mésusage, abus, incendie, inondations, catastrophe naturelle ou l'utilisation de produits non approuvés par Jenn-Air.
8. Réparations aux pièces ou systèmes dans le but de rectifier un dommage ou des défauts résultant d'une réparation, altération ou modification non autorisée faite à l'appareil.
9. Défauts d'apparence, notamment les éraflures, traces de choc, fissures ou tout autre dommage causés au fini de l'appareil ménager, à moins que ces dommages ne résultent de vices de matériaux ou de fabrication et ne soient signalés à Jenn-Air dans les 30 jours suivant la date d'achat.
10. Décoloration, rouille ou oxydation des surfaces résultant d'environnements caustiques ou corrosifs incluant des concentrations élevées de sel, un haut degré d'humidité ou une exposition à des produits chimiques.
11. Perte d'aliments ou de médicaments due à la défaillance du produit.
12. Enlèvement ou livraison. Ce produit est conçu pour être réparé au domicile.
13. Frais de déplacement et de transport pour le dépannage/la réparation dans une région éloignée où une compagnie de service Jenn-Air autorisée n'est pas disponible.
14. Retrait ou réinstallation d'appareils inaccessibles ou de dispositifs préinstallés (ex : garnitures, panneaux décoratifs, plancher, meubles, îlots de cuisine, plans de travail, panneaux de gypse, etc.) qui entravent le dépannage, le retrait ou le remplacement du produit.
15. Service et pièces pour des appareils dont les numéros de série et de modèle originaux ont été enlevés, modifiés ou ne peuvent pas être facilement identifiés.

Le coût d'une réparation ou d'un remplacement dans le cadre de ces circonstances exclues est à la charge du client.

CLAUSE D'EXONÉRATION DE RESPONSABILITÉ AU TITRE DES GARANTIES IMPLICITES

LES GARANTIES IMPLICITES, Y COMPRIS LES GARANTIES APPLICABLES DE QUALITÉ MARCHANDE OU D'APTITUDE À UN USAGE PARTICULIER, SONT LIMITÉES À UN AN OU À LA PLUS COURTE PÉRIODE AUTORISÉE PAR LA LOI. Certains États et provinces ne permettent pas de limitation sur la durée des garanties implicites de qualité marchande ou d'aptitude à un usage particulier, de sorte que la limitation ci-dessus peut ne pas être applicable dans votre cas. Cette garantie vous confère des droits juridiques spécifiques et vous pouvez également jouir d'autres droits qui peuvent varier d'une juridiction à l'autre.

EXONÉRATION DE RESPONSABILITÉ DANS LES DOMAINES NON COUVERTS PAR LA GARANTIE

Jenn-Air décline toute responsabilité au titre de la qualité, de la durabilité ou en cas de dépannage ou de réparation nécessaire sur ce gros appareil ménager autre que les responsabilités énoncées dans la présente garantie. Si vous souhaitez une garantie plus étendue ou plus complète que la garantie limitée fournie avec ce gros appareil ménager, adressez-vous à Jenn-Air ou à votre détaillant pour obtenir les modalités d'achat d'une garantie étendue.

LIMITATION DES RECOURS; EXCLUSION DES DOMMAGES FORTUITS OU INDIRECTS

LE SEUL ET EXCLUSIF RECOURS DU CLIENT DANS LE CADRE DE LA PRÉSENTE GARANTIE LIMITÉE CONSISTE EN LA RÉPARATION PRÉVUE PAR LA PRÉSENTE. JENN-AIR N'ASSUME AUCUNE RESPONSABILITÉ POUR LES DOMMAGES FORTUITS OU INDIRECTS. Certains États et certaines provinces ne permettent pas l'exclusion ou la limitation des dommages fortuits ou indirects de sorte que ces limitations et exclusions peuvent ne pas être applicables dans votre cas. Cette garantie vous confère des droits juridiques spécifiques et vous pouvez également jouir d'autres droits qui peuvent varier d'une juridiction à l'autre.

12/14

Notes

