

JENN-AIR® 30", 36", AND 42"
(76.2 CM, 91.4 CM, AND 106.7 CM)
WALL-MOUNT CANOPY RANGE HOOD
HOTTE DE CUISINIÈRE JENN-AIR® POUR
MONTAGE MURAL 30", 36" ET 42"
(76,2 CM, 91,4 CM ET 106,7 CM)

Installation Instructions and Use & Care Guide

For questions about features, operation/performance, parts, accessories, or service in the U.S.A., call:
1-800-JENNAIR (1-800-536-6247) or visit our website at **www.jennair.com**.
In Canada, call: **1-800-JENNAIR (1-800-536-6247)**, or visit our website at **www.jennair.ca**.

Instructions d'installation et Guide d'utilisation et d'entretien

Au Canada, pour des questions à propos des caractéristiques, du fonctionnement/rendement, des pièces, accessoires ou service,
composer le **1-800-JENNAIR (1-800-536-6247)** ou visiter notre site web à **www.jennair.ca**.

Table of Contents/Table des matières 2

**IMPORTANT: READ AND SAVE THESE INSTRUCTIONS.
FOR RESIDENTIAL USE ONLY.**
**IMPORTANT : LIRE ET CONSERVER CES INSTRUCTIONS.
POUR UTILISATION RÉSIDENNELLE UNIQUEMENT.**

TABLE OF CONTENTS

RANGE HOOD SAFETY	2
INSTALLATION REQUIREMENTS	4
Tools and Parts	4
Location Requirements	4
Venting Requirements	5
Electrical Requirements	6
INSTALLATION INSTRUCTIONS	6
Prepare Location	6
Install Range Hood	7
Connect Vent System	7
Make Electrical Connection	8
Install Vent Covers	9
Complete Installation	9
RANGE HOOD USE	10
Display	10
Light	11
Timer	11
Fan Speed Buttons	11
RANGE HOOD CARE	12
Cleaning	12
WIRING DIAGRAM	13
ASSISTANCE OR SERVICE	14
In the U.S.A.	14
Accessories	14
In Canada	14
WARRANTY	15

TABLE DES MATIÈRES

SÉCURITÉ DE LA HOTTE DE CUISINIÈRE	17
EXIGENCES D'INSTALLATION	19
Outils et pièces	19
Exigences d'emplacement	19
Exigences concernant l'évacuation	20
Spécifications électriques	21
INSTRUCTIONS D'INSTALLATION	22
Préparation de l'emplacement	22
Installation de la hotte	23
Raccordement du circuit d'évacuation	23
Raccordement électrique	24
Installation des cache-conduits	25
Achever l'installation	25
UTILISATION DE LA HOTTE	25
Affichage	26
Éclairage	26
Minuterie	26
Boutons de vitesse du ventilateur	26
ENTRETIEN DE LA HOTTE	27
Nettoyage	27
SCHÉMA DE CÂBLAGE	28
ASSISTANCE OU SERVICE	29
Au Canada	29
Accessoires	29
GARANTIE	30

RANGE HOOD SAFETY

Your safety and the safety of others are very important.

We have provided many important safety messages in this manual and on your appliance. Always read and obey all safety messages.



This is the safety alert symbol.

This symbol alerts you to potential hazards that can kill or hurt you and others.

All safety messages will follow the safety alert symbol and either the word "DANGER" or "WARNING."

These words mean:

⚠ DANGER

You can be killed or seriously injured if you don't immediately follow instructions.

⚠ WARNING

You can be killed or seriously injured if you don't follow instructions.

All safety messages will tell you what the potential hazard is, tell you how to reduce the chance of injury, and tell you what can happen if the instructions are not followed.

State of California Proposition 65 Warnings:

WARNING: This product contains one or more chemicals known to the State of California to cause cancer.

WARNING: This product contains one or more chemicals known to the State of California to cause birth defects or other reproductive harm.

IMPORTANT SAFETY INSTRUCTIONS

WARNING: TO REDUCE THE RISK OF FIRE, ELECTRIC SHOCK, OR INJURY TO PERSONS, OBSERVE THE FOLLOWING:

- Use this unit only in the manner intended by the manufacturer. If you have questions, contact the manufacturer.
- Before servicing or cleaning the unit, switch power off at service panel and lock the service disconnecting means to prevent power from being switched on accidentally. When the service disconnecting means cannot be locked, securely fasten a prominent warning device, such as a tag, to the service panel.
- Installation work and electrical wiring must be done by qualified person(s) in accordance with all applicable codes and standards, including fire-rated construction.
- Do not operate any fan with a damaged cord or plug. Discard fan or return to an authorized service facility for examination and/or repair.
- Sufficient air is needed for proper combustion and exhausting of gases through the flue (chimney) of fuel burning equipment to prevent backdrafting. Follow the heating equipment manufacturer's guideline and safety standards such as those published by the National Fire Protection Association (NFPA), the American Society for Heating, Refrigeration and Air Conditioning Engineers (ASHRAE), and the local code authorities.
- When cutting or drilling into wall or ceiling; do not damage electrical wiring and other utilities.
- Ducted fans must always be vented outdoors.

CAUTION: For general ventilating use only. Do not use to exhaust hazardous or explosive materials and vapors.

CAUTION: To reduce risk of fire and to properly exhaust air, be sure to duct air outside - do not vent exhaust air into spaces within walls or ceilings, attics or into crawl spaces, or garages.

WARNING: TO REDUCE THE RISK OF FIRE, USE ONLY METAL DUCTWORK.

WARNING: TO REDUCE THE RISK OF A RANGE TOP GREASE FIRE:

- Never leave surface units unattended at high settings. Boilovers cause smoking and greasy spillovers that may ignite. Heat oils slowly on low or medium settings.
- Always turn hood ON when cooking at high heat or when flambeing food (i.e. Crepes Suzette, Cherries Jubilee, Peppercorn Beef Flambe).
- Clean ventilating fans frequently. Grease should not be allowed to accumulate on fan or filter.
- Use proper pan size. Always use cookware appropriate for the size of the surface element.

WARNING: TO REDUCE THE RISK OF INJURY TO PERSONS IN THE EVENT OF A RANGE TOP GREASE FIRE, OBSERVE THE FOLLOWING:^a

- SMOTHER FLAMES with a close fitting lid, cookie sheet, or metal tray, then turn off the burner. BE CAREFUL TO PREVENT BURNS. If the flames do not go out immediately, EVACUATE AND CALL THE FIRE DEPARTMENT.
- NEVER PICK UP A FLAMING PAN - you may be burned.
- DO NOT USE WATER, including wet dishcloths or towels - a violent steam explosion will result.
- Use an extinguisher ONLY if:
 - You know you have a class ABC extinguisher, and you already know how to operate it.
 - The fire is small and contained in the area where it started.
 - The fire department is being called.
 - You can fight the fire with your back to an exit.

^aBased on "Kitchen Fire Safety Tips" published by NFPA.

- **WARNING:** To reduce the risk of fire or electrical shock, do not use this fan with any solid-state speed control device.

READ AND SAVE THESE INSTRUCTIONS

INSTALLATION REQUIREMENTS

Tools and Parts

Gather the required tools and parts before starting installation. Read and follow the instructions provided with any tools listed here.

Tools needed

- Level
- Drill with 1¼" (3.0 cm), ⅜" (9.5 mm), and ⅝" (7.9 mm) drill bits
- Pencil
- Wire stripper or utility knife
- Tape measure or ruler
- Pliers
- Caulking gun and weatherproof caulking compound
- Vent clamps
- Jigsaw or keyhole saw
- Flat-blade screwdriver
- Metal snips
- Phillips screwdriver

Parts needed

- Home power supply cable
- ½" (12.7 mm) UL listed or CSA approved strain relief
- 3 UL listed wire connectors

For vented installations, you will also need:

- 1 wall or roof cap
- Metal vent system

For non-vented (recirculating) installations, you will also need:

- Recirculation Kit Part Number W10272060 for non-vented (recirculating) installations only. See "Assistance or Service" section to order.
- 8" (20.3 cm) dia. round metal vent duct - length required is determined by ceiling height.

Parts supplied

Remove parts from packages. Check that all parts are included.

- Hood canopy assembly with ventilator and light bulbs installed
- Vent transition with back draft dampers installed
- Metal grease filter(s) - depending on model and size
- Vent cover support bracket
- Mounting template
- 2-piece vent cover
- 8 - 4 x 8 screws
- 6 - 5 x 45 mm mounting screws
- 2 - D6.4 x 18 mm washers
- 2 - 8 x 40 mm wall anchors
- 4 - 10 x 50 mm wall anchors

Location Requirements

IMPORTANT: Observe all governing codes and ordinances.

Have a qualified technician install the range hood. It is the installer's responsibility to comply with installation clearances specified on the model/serial rating plate. The model/serial rating plate is located behind the left filter on the rear wall of the vent hood.

Canopy hood location should be away from strong draft areas, such as windows, doors and strong heating vents.

Cabinet opening dimensions that are shown must be used. Given dimensions provide minimum clearance.

Grounded electrical outlet is required. See "Electrical Requirements" section.

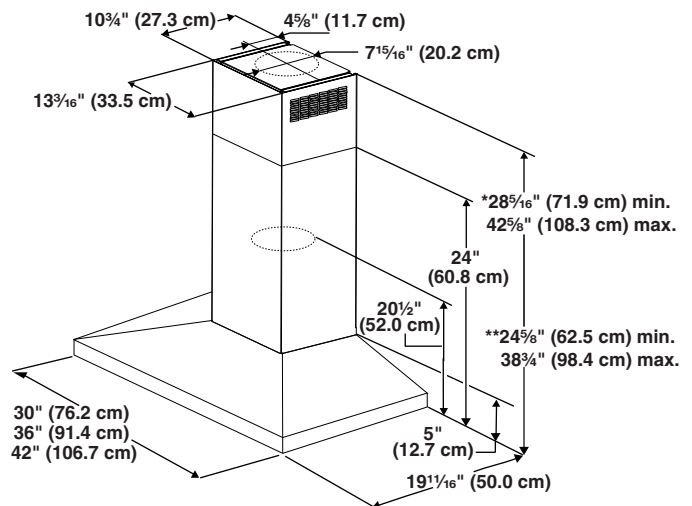
The canopy hood is factory set for venting through the roof or wall. For non-vented (recirculating) installation see "For non-vented (recirculating) installation only" in the "Connect Vent System" section. Recirculation Kit Part Number W10272060 is available from your dealer or an authorized parts distributor.

All openings in ceiling and wall where canopy hood will be installed must be sealed.

For Mobile Home Installations

The installation of this range hood must conform to the Manufactured Home Construction Safety Standards, Title 24 CFR, Part 328 (formerly the Federal Standard for Mobile Home Construction and Safety, Title 24, HUD, Part 280) or when such standard is not applicable, the standard for Manufactured Home Installation 1982 (Manufactured Home Sites, Communities and Setups) ANSI A225.1/NFPA 501A, or latest edition, or with local codes.

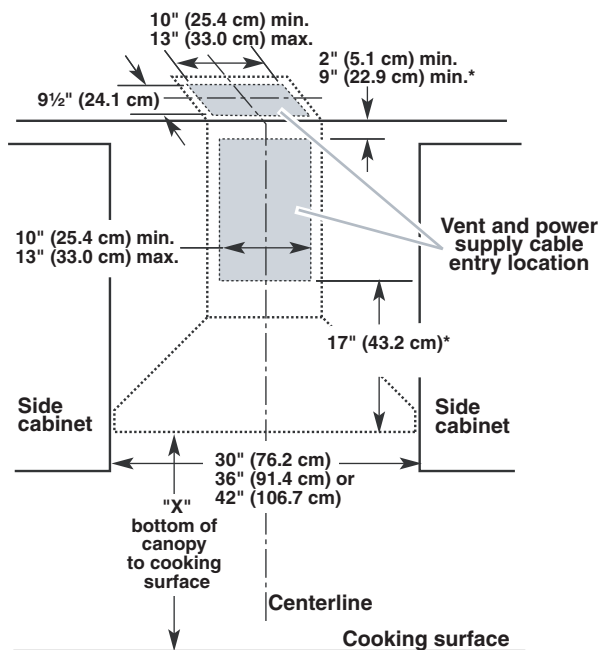
Product Dimensions



*For non-vented (recirculating) installations

**For vented installations

Cabinet Dimensions



*For non-vented (recirculating) installations

***NOTE:** The range hood chimneys are adjustable and designed to meet varying ceiling or soffit heights depending on the distance "X" between the bottom of the range hood and the cooking surface. For higher ceilings, a Stainless Steel Chimney Extension Kit Part Number W10272075 is available from your dealer or an authorized parts distributor. The chimney extension replaces the upper chimney shipped with the range hood.

IMPORTANT:

Minimum distance "X": 24" (61.0 cm) from electric cooking surface.

Minimum distance "X": 27" (68.6 cm) from gas cooking surfaces.

Suggested maximum distance "X": 36" (91.4 cm)

For vented installations, the chimneys can be adjusted for ceilings between 7' 11" (2.4 m) and 9' 2" (2.8 m).

For non-vented (recirculating) installations, the chimneys can be adjusted for ceilings between 7' 11" (2.4 m) and 9' 6" (2.9 m).

Venting Requirements (vented models only)

- Vent system must terminate to the outdoors, except for non-vented (recirculating) installations.
- Do not terminate the vent system in an attic or other enclosed area.
- Do not use 4" (10.2 cm) laundry-type wall cap.
- Use metal vent only. Rigid metal vent is recommended. Plastic or metal foil vent is not recommended.
- The length of vent system and number of elbows should be kept to a minimum to provide efficient performance.

For the most efficient and quiet operation:

- Use no more than three 90° elbows.
- Make sure there is a minimum of 24" (61 cm) of straight vent between the elbows if more than 1 elbow is used.
- Do not install 2 elbows together.
- Use clamps to seal all joints in the vent system.

- The vent system must have a damper. If the roof or wall cap has a damper, do not use the damper supplied with the range hood.
- Use caulking to seal exterior wall or roof opening around the cap.
- The size of the vent should be uniform.

Cold Weather Installations

An additional back draft damper should be installed to minimize backward cold air flow and a thermal break should be installed to minimize conduction of outside temperatures as part of the vent system. The damper should be on the cold air side of the thermal break.

The break should be as close as possible to where the vent system enters the heated portion of the house.

Makeup Air

Local building codes may require the use of makeup air systems when using ventilation systems greater than specified CFM of air movement. The specified CFM varies from locale to locale. Consult your HVAC professional for specific requirements in your area.

Venting Methods

This canopy hood is factory set for venting through the roof or wall.

A 8" (20.3 cm) round vent system is needed for installation (not included). The hood exhaust opening is 8" (20.3 cm) round.

NOTE: Flexible vent is not recommended. Flexible vent creates back pressure and air turbulence that greatly reduce performance.

Vent system can terminate either through the roof or wall. To vent through a wall, a 90° elbow is needed.

Rear discharge

A 90° elbow may be installed immediately above the hood.

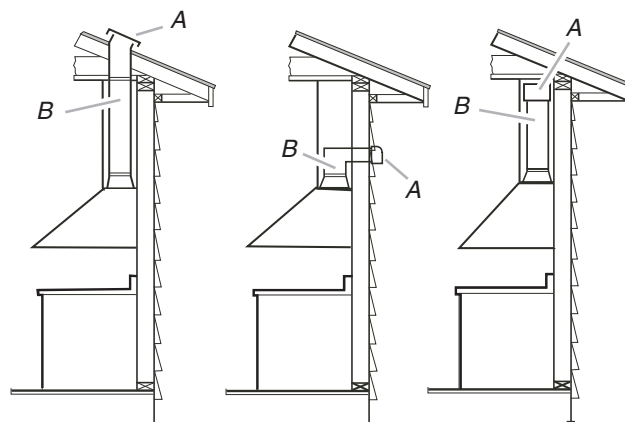
For Non-Vented (recirculating) Installations

If it is not possible to vent cooking fumes and vapors to the outside, the hood can be used in the non-vented (recirculating) version, fitting a charcoal filter and the deflector. Fumes and vapors are recycled through the top grille.

Roof Venting

Wall Venting

Non-vented (recirculating)





A. Roof cap
B. 8" (20.3 cm)
round vent

A. Wall cap
B. 8" (20.3 cm)
round vent

A. Deflector
B. 8" (20.3 cm)
round vent

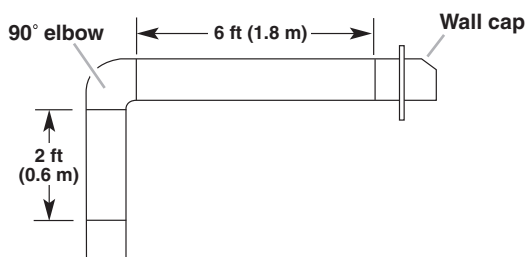
Calculating Vent System Length

To calculate the length of the system you need, add the equivalent feet (meters) for each vent piece used in the system.

Vent Piece	8" (20.3 cm) Round	
45° elbow	2.5 ft (0.8 m)	
90° elbow	5.0 ft (1.5 m)	

Maximum equivalent vent length is 35 ft (10.7 m).

Example vent system



The following example falls within the maximum recommended vent length of 35 ft (10.7 m).

1 - 90° elbow	= 5.0 ft (1.5 m)
1 - wall cap	= 0.0 ft (0.0 m)
8 ft (2.4 m) straight	= 8.0 ft (2.4 m)
Length of system	= 13.0 ft (3.9 m)

Electrical Requirements

Observe all governing codes and ordinances.

Ensure that the electrical installation is adequate and in conformance with National Electrical Code, ANSI/NFPA 70 (latest edition), or CSA Standards C22.1-94, Canadian Electrical Code, Part 1 and C22.2 No. 0-M91 (latest edition) and all local codes and ordinances.

If codes permit and a separate ground wire is used, it is recommended that a qualified electrician determine that the ground path is adequate.

A copy of the above code standards can be obtained from:

National Fire Protection Association
1 Batterymarch Park
Quincy, MA 02169-7471
CSA International
8501 East Pleasant Valley Road
Cleveland, OH 44131-5575

- A 120 volt, 60 Hz., AC only, 15-amp, fused electrical circuit is required.
- If the house has aluminum wiring, follow the procedure below:
 1. Connect a section of solid copper wire to the pigtail leads.
 2. Connect the aluminum wiring to the added section of copper wire using special connectors and/or tools designed and UL listed for joining copper to aluminum.

Follow the electrical connector manufacturer's recommended procedure. Aluminum/copper connection must conform with local codes and industry accepted wiring practices.
- Wire sizes and connections must conform with the rating of the appliance as specified on the model/serial rating plate. The model/serial plate is located behind the filter on the rear wall of the range hood.
- Wire sizes must conform to the requirements of the National Electrical Code, ANSI/NFPA 70 (latest edition), or CSA Standards C22.1-94, Canadian Electrical Code, Part 1 and C22.2 No. 0-M91 (latest edition) and all local codes and ordinances.

INSTALLATION INSTRUCTIONS

Prepare Location

- It is recommended that the vent system be installed before hood is installed.
 - Before making cutouts, make sure there is proper clearance within the ceiling or wall for exhaust vent.
 - Check your ceiling height and the hood height maximum before you select your hood.
1. Disconnect power.
 2. Determine which venting method to use: roof, wall, or non-vented.
 3. Select a flat surface for assembling the range hood. Place covering over that surface.

⚠ WARNING

Excessive Weight Hazard

Use two or more people to move and install range hood.

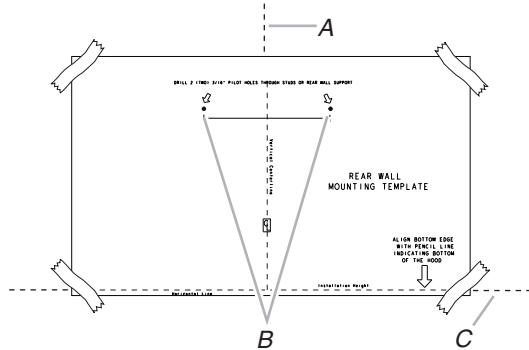
Failure to do so can result in back or other injury.

4. Using 2 or more people, lift range hood onto covered surface.

Range Hood Mounting Screws Installation

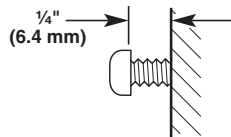
1. Determine and mark the centerline on the wall where the canopy hood will be installed.

- Select a mounting height between a minimum of 24" (61.0 cm) for an electric cooking surface, a minimum of 27" (68.6 cm) for a gas cooking surface, and a suggested maximum of 36" (91.4 cm) above the range to the bottom of the hood. Mark a reference line on the wall.
- Tape template in place, aligning the template centerline and bottom of template with hood bottom line and with the centerline marked on the wall.



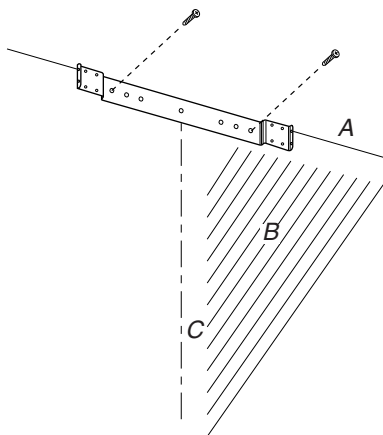
- A. Centerline
- B. Fastener locations
- C. Mounting height reference (hood bottom line)

- Mark centers of the fastener locations through the template to the wall.
IMPORTANT: All screws must be installed into wood. If there is no wood to screw into, additional wall framing supports may be required.
Remove the template.
- Drill $\frac{3}{16}$ " (4.8 mm) pilot holes at all locations where screws are being installed into wood.
- Install the 2 - 5 x 45 mm mounting screws. Leave a $\frac{1}{4}$ " (6.4 mm) gap between the wall and the back of the screw head to slide range hood into place.



Vent Cover Bracket Installation

- Attach vent cover bracket to wall flush to the ceiling using 2 - 5 x 45 mm screws.



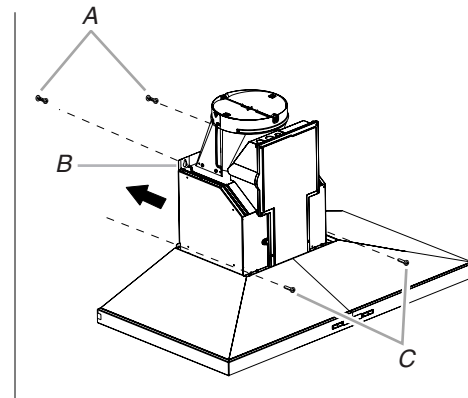
- A. Ceiling
- B. Wall
- C. Centerline

Complete Preparation

- Determine and make all necessary cuts in the wall for the vent system. Install the vent system before installing the hood. See "Venting Requirements" section.
- Determine the required height for the home power supply cable and drill a $\frac{1}{4}$ " (3.2 cm) hole at this location.
- Run the home power supply cable according to the National Electrical Code or CSA Standards and local codes and ordinances. There must be enough $\frac{1}{2}$ " conduit and wires from the fused disconnect (or circuit breaker) box to make the connection in the hood's electrical terminal box.
NOTE: Do not reconnect power until installation is complete.
- Use caulk to seal all openings.

Install Range Hood

- Using 2 or more people, hang range hood on 2 mounting screws through the mounting slots on back of hood.

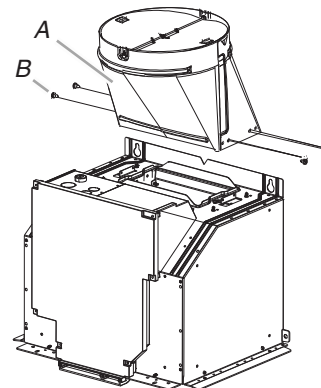


- A. Mounting screws
- B. Mounting slots
- C. Lower mounting screws and washers

- Remove the grease filter. See "Range Hood Care" section.
- Level the range hood and tighten upper mounting screws.
- Install 2 - 5 x 45 mm lower mounting screws and 2 - D6.4 x 18 mm washers and tighten.

Connect Vent System

- Install transition on top of hood (if removed for shipping) with 4 - 4 x 8 mm sheet metal screws.



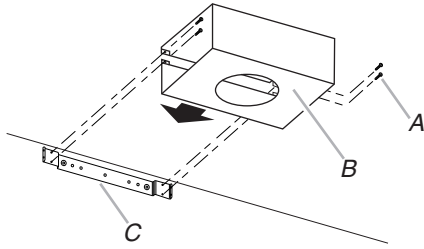
- A. Vent transition
- B. 4 x 8 mm screw (4)

For vented installations only:

1. Fit vent system over transition piece.
2. Seal connection with clamps.
3. Check that back draft dampers work properly.

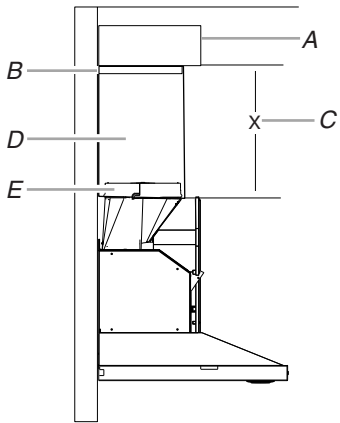
For non-vented (recirculating) installation only:

1. Assemble the air deflector with the duct cover bracket with 4 assembly screws provided with the Recirculation Kit.



A. Assembly screws
B. Air deflector
C. Duct cover bracket

2. Measure from the bottom of the air deflector to the bottom of the hood outlet.



A. Air deflector
B. Vent clamp
C. X = length to cut vent duct
D. Vent duct
E. Exhaust outlet

3. Cut the duct to the measured size (X).
4. Remove the air deflector.
5. Slide the duct onto the bottom of the air deflector.
6. Place the assembled air deflector and duct over the exhaust outlet from the hood.
7. Reassemble the air deflector to the duct cover bracket with 4 assembly screws.
8. Seal connections with vent clamps.

Make Electrical Connection

⚠ WARNING



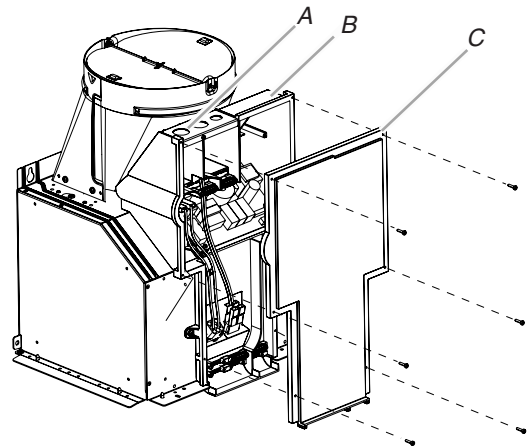
Electrical Shock Hazard

Disconnect power before servicing.

Replace all parts and panels before operating.

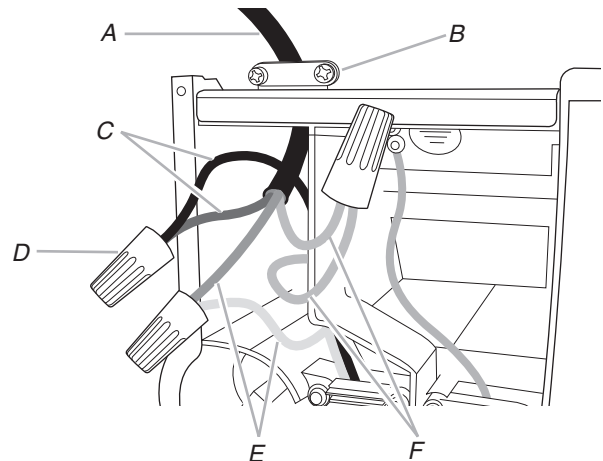
Failure to do so can result in death or electrical shock.

1. Disconnect power.
2. Remove terminal box cover.
3. Remove the knockout in the terminal box and install a UL listed or CSA approved 1/2" strain relief.



A. Knockout
B. Terminal box
C. Terminal box cover


4. Run home power supply cable through strain relief, into terminal box.



A. Home power supply cable
B. UL listed or CSA approved strain relief
C. Black wires
D. UL listed wire connectors
E. White wires
F. Green (or bare) and yellow-green ground wires

5. Use UL listed wire connectors and connect black wires (C) together.
6. Use UL listed wire connectors and connect white wires (E) together.

⚠ WARNING



Electrical Shock Hazard

Electrically ground blower.

Connect ground wire to green and yellow ground wire in terminal box.

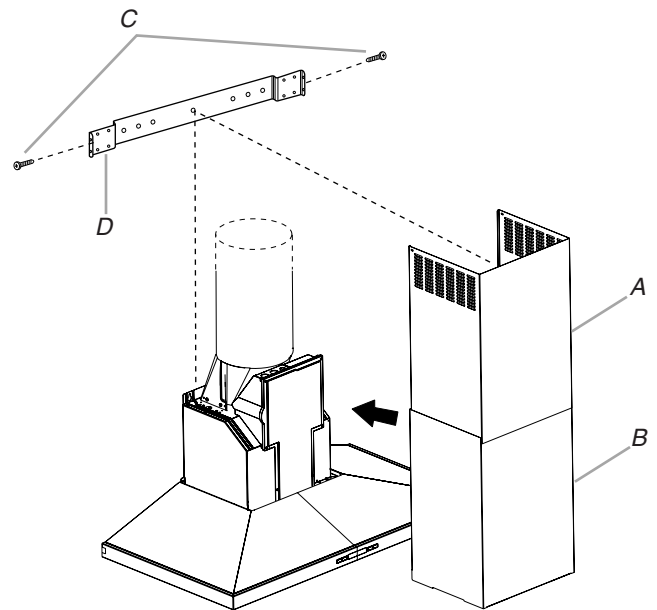
Failure to do so can result in death or electrical shock.

7. Connect green (or bare) ground wire from home power supply to yellow-green ground wire (F) in terminal box using UL listed wire connectors.
8. Tighten strain relief screw.
9. Install terminal box cover.
10. Check that all light bulbs are secure in their sockets.
11. Reconnect power.

Install Vent Covers

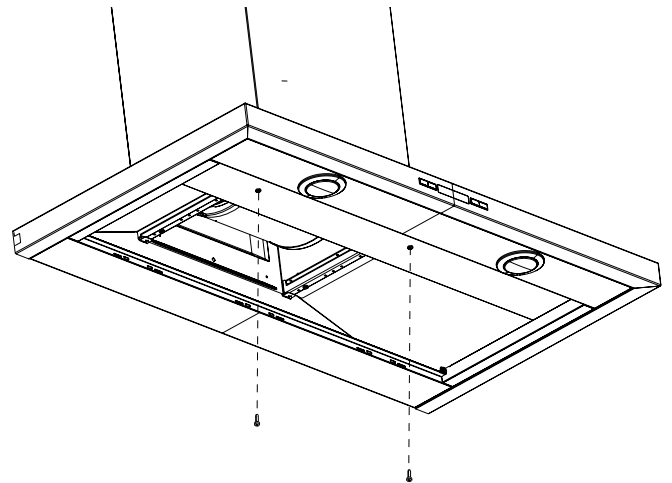
When using both upper and lower vent covers, push lower cover down onto hood and lift upper cover to ceiling and install with two 4 x 8 mm screws.

NOTE: For vented installations, the upper vent cover may be reversed to hide slots.



A. Upper vent cover C. 4 x 8 mm screws
 B. Lower vent cover D. Bracket

Secure the bottom of the duct with 2 - 4 x 8 mm screws.



Complete Installation

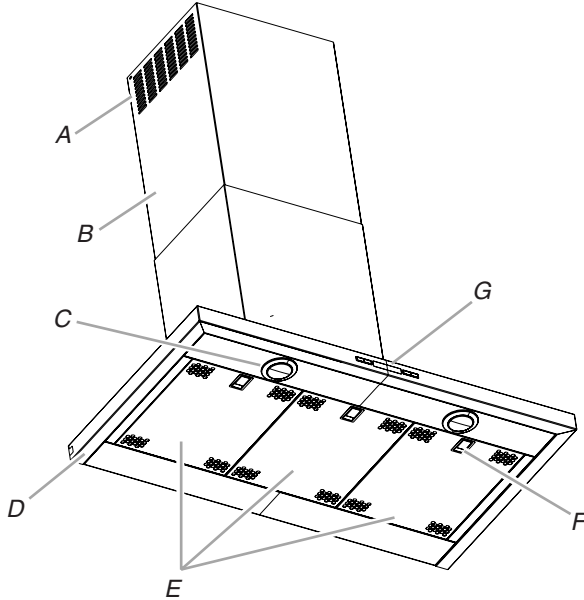
1. For non-vented (recirculating) installations only, install charcoal filters over grille on blower housing. See the "Range Hood Care" section.
2. Install metal filters. See the "Range Hood Care" section.
3. Check the operation of the range hood blower and light. See the "Range Hood Use" section.

NOTE: To get the most efficient use from your new range hood, read the "Range Hood Use" section.

RANGE HOOD USE

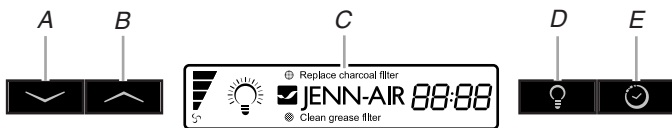
The range hood is designed to remove smoke, cooking vapors and odors from the cooktop area. For best results, start the hood before cooking and allow it to operate several minutes after the cooking is complete to clear all smoke and odors from the kitchen.

The range hood controls are located on the front side of the canopy.



- | | |
|---|--------------------------|
| A. Louver holes (non-vented [recirculating] installations only) | D. Canopy |
| B. Duct covers | E. Grease filters |
| C. Lamp housings | F. Grease filter handles |
| | G. Control panel |

Control Panel



- | | |
|-------------------|------------|
| A. Power decrease | C. Display |
| B. Power increase | D. Light |
| | E. Timer |

Display

Grease Filter Saturation Alarm

After 30 hours of fan function, the display will show “Clean Grease Filter” when the fan is active. When this icon shows in the display, the installed grease filters should be washed. See “Range Hood Care” section.

- To reset the grease filter saturation alarm, press and hold the Power Increase button for 5 seconds. The “Clean Grease Filter” icon will no longer be displayed.

Charcoal Filter Saturation Alarm

After 120 hours of fan function, the display will show “Replace Charcoal Filter” when the fan is active. When this icon shows in the display, the charcoal filters should be replaced. See “Range Hood Care” section.

- To reset the charcoal filter saturation alarm, press and hold the Power Decrease button for 5 seconds. The “Replace Charcoal Filter” icon will no longer be displayed.

Audible Signal Activation and Deactivation

The audible signals can be activated or deactivated by pressing the “Light” button for 5 seconds.

- If the audible signal is activated, a tone will sound, and “Snd” symbol will appear in the display for 3 seconds.
- If the audible signal is deactivated, the “Snd” symbol will appear on the display for 3 seconds.

Charcoal Filter (Recirculation Accessory) Inclusion and Exclusion

When the charcoal filter is in use (recirculating mode), press and hold the Power Decrease and Power Increase buttons at the same time for 5 seconds. “Able” will appear in the display for 3 seconds.

If the charcoal filter is not used (vented mode), press and hold the Power Decrease and Power Increase buttons at the same time for 5 seconds. “None” will appear in the display for 3 seconds.

- When the charcoal filter has been excluded, the charcoal filter alarm is disabled.
- The inclusion or exclusion of the charcoal filter must be selected while the lights and the fan motor are Off.

Heat Sensor

The control is equipped with a heat sensor that will turn on the blower to the highest speed if excessive heat occurs around the control area.

- If the blower is On or Off, the blower will automatically set to the highest speed. “Auto” will appear in the display to indicate that the heat sensor has detected excessive heat.
 - When the blower is operating due to excessive heat detected by the heat sensor, the blower speed cannot be decreased.
 - When the temperature level on the hood drops to normal, the blower will return to its setting before the excessive heat was sensed.
-

Light

To operate the light:

1. Press the Light button to turn the light on to high.
2. Press the Light button again to turn the light to low.
3. Press the Light button a third time to turn the light off.

Timer

The timer can be set from 1 to 60 minutes. The default timer setting is 10 minutes.

To use the timer:

1. Press the Timer button to enter the timer mode. After 5 seconds, the default time will be automatically selected.
2. Press the Power Decrease and Power Increase buttons while the display is flashing (5 seconds) to adjust to the desired time. Pressing the timer button again or waiting 5 seconds after selecting the desired time will start the timer countdown.
3. The timer can be canceled at any time by pressing the Timer button again.

NOTE: During the timer setup, the Power Decrease and Power Increase buttons are dedicated to the timer. After the timer starts, the Power Decrease and Power Increase buttons can be used for other functions.

Fan Speed Buttons

Power Increase/On

This button is used to turn the fan On or increase the fan speed.

- The fan will turn On if the Power Increase button is pressed and the hood was Off.
 - An audible tone will sound when the fan reaches its highest speed.
-

Power Decrease/Off

- This button is used to turn the fan Off or to decrease the fan speed.

RANGE HOOD CARE

Cleaning

IMPORTANT: Clean the hood and grease filters frequently according to the following instructions. Replace grease filters before operating hood.

Exterior Surfaces:

To avoid damage to the exterior surface, do not use steel wool or soap-filled scouring pads.

Always wipe dry to avoid water marks.

Cleaning Method:

- Liquid detergent soap and water, or all-purpose cleanser
- Wipe with damp soft cloth or nonabrasive sponge, then rinse with clean water and wipe dry.

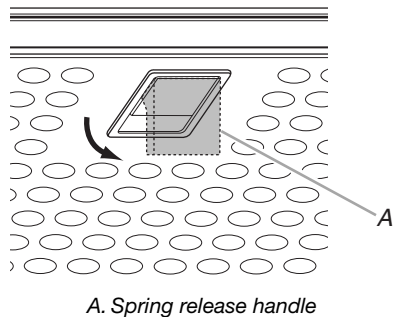
Metal Grease Filter

The filters should be washed frequently. Place metal filters in dishwasher or hot detergent solution to clean.

Let filter dry thoroughly before replacing it.

Turn off fan and lights. Allow halogen lamp to cool.

1. Remove each filter by pulling the spring release handle and then pulling down the filter.



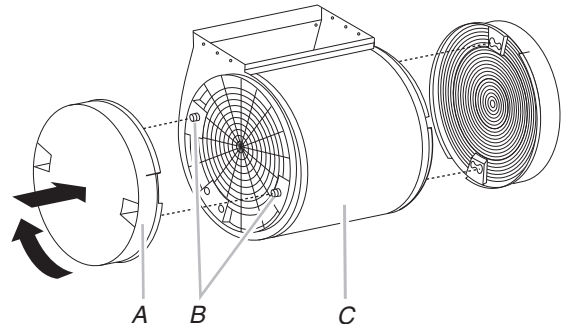
2. Wash metal filters as needed in dishwasher or hot detergent solution.
3. Reinstall the filter by making sure the spring release handles are toward the front. Insert metal grease filter into upper track.
4. Pull the spring release handle down.
5. Push up on metal filter and release handle to latch into place.
6. Repeat steps 1-5 for the other filter.

Non-Vented (recirculating) Installation Filters

The charcoal filter is not washable. It should last up to 6 months with normal use. Replace with Charcoal Filter Kit Number W10272068.

To replace charcoal filter:

1. Cover the grille that covers the blower motor with the charcoal filter so that the slots on the filter correspond to the pins on the sides of the motor grille.



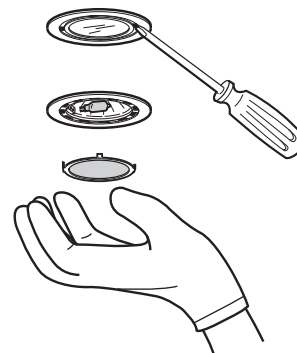
2. Turn the charcoal filter clockwise to lock it.
3. Repeat steps 1-2 on the other filter.

Replacing a Halogen Lamp

Turn off the range hood and allow the halogen lamp to cool. To avoid damage or decreasing the life of the new lamp, do not touch lamp with bare fingers. Replace lamp, using tissue or wearing cotton gloves to handle lamp.

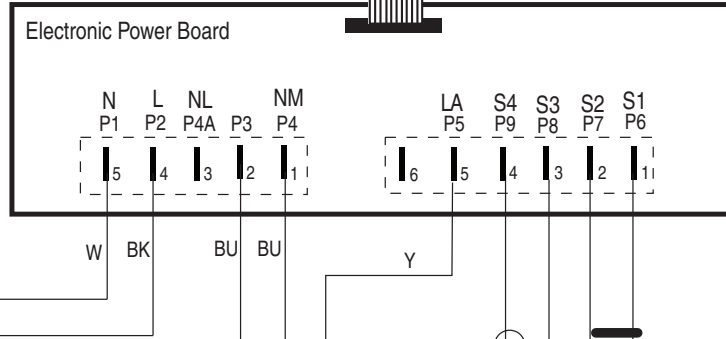
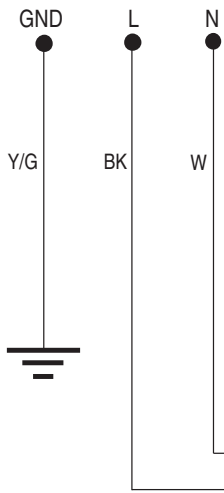
If new lights do not operate, make sure the lamps are inserted correctly before calling service.

1. Disconnect power.
2. Use a flat-blade screwdriver and gently pry the light cover loose.

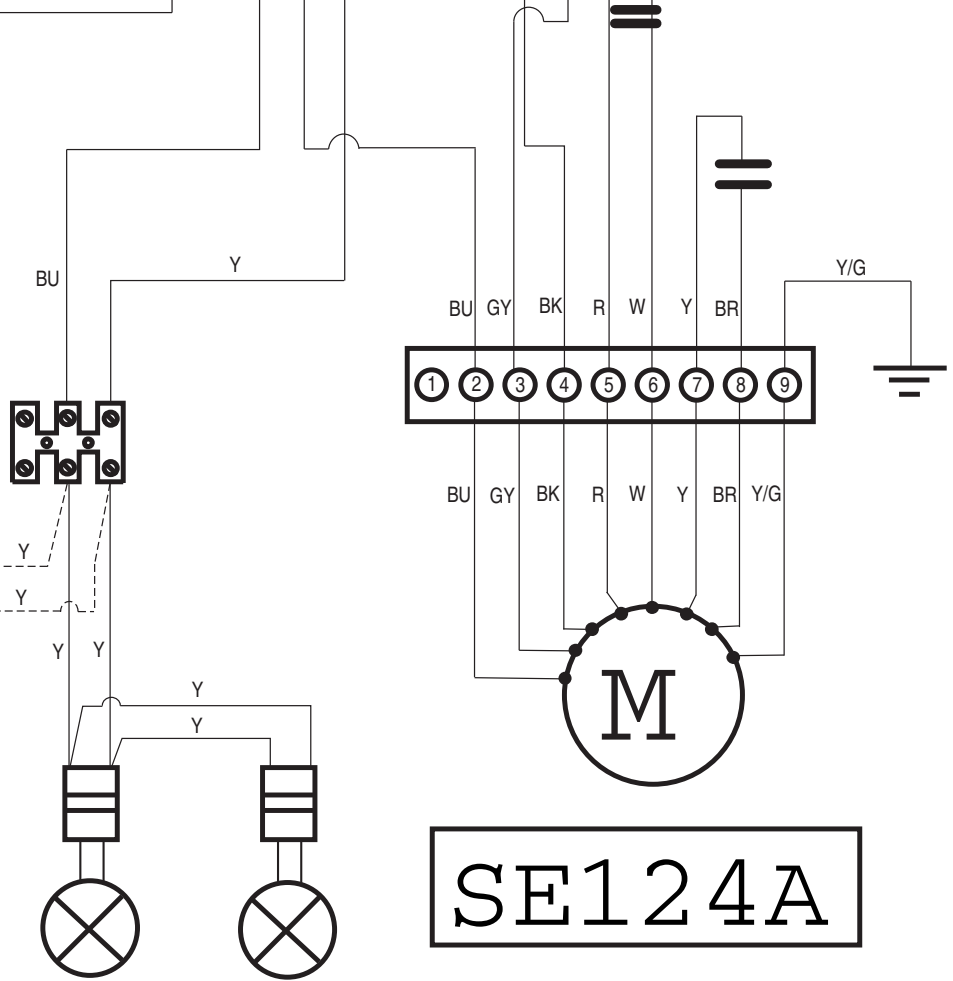


3. Remove the lamp and replace with a 120-volt, 40-watt maximum, halogen lamp made for a G-9 base.
4. Replace the light cover.
5. Reconnect power.

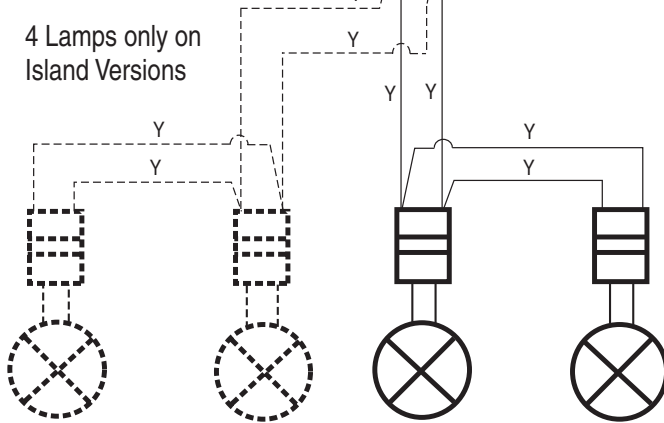
WIRING DIAGRAM



Motor Specifications	
Power Supply	120 VAC
Frequency	60 HZ
Power Absorption	450 W
Current	3.7A
Motor Resistance (Ohms)	
Blue - Black	9.8
Blue - Gray	14.3
Blue - Red	18
Blue - White	21.6
Room Temp.	73.4°F (23°C)



4 Lamps only on Island Versions



ASSISTANCE OR SERVICE

When calling for assistance or service, please know the purchase date and the complete model and serial number of your appliance. This information will help us to better respond to your request.

If you need replacement parts

If you need to order replacement parts, we recommend that you use only factory specified parts. Factory specified parts will fit right and work right because they are made with the same precision used to build every new appliance. To locate factory specified replacement parts in your area, call us or your nearest designated service center.

In the U.S.A.

Call the dealer from whom your appliance was purchased, or call **1-800-JENNAIR (1-800-536-6247)** to locate an authorized service company. When calling, please know the purchase date and the complete model and serial number of your appliance. Be sure to retain proof of purchase to verify warranty status.

If the dealer or service company cannot resolve your problem, write to:

Jenn-Air Brand Home Appliances
Customer eXperience Center
553 Benson Road
Benton Harbor, MI 49022-2692

Web address: www.jennair.com

Or call: **1-800-536-6247**

U.S. customers using TTY for deaf, hearing impaired or speech impaired, call: **1-800-688-2080** (Monday - Friday, 8:00 a.m. - 8:00 p.m. Eastern Time).

NOTE: When writing or calling about a service problem, please include the following information:

1. Your name, address and daytime telephone number.
2. Appliance model number and serial number.
3. Name and address of your dealer or servicer.
4. A clear description of the problem you are having.
5. Proof of purchase (sales receipt).

User's guides, service manuals and parts information are available from Jenn-Air Brand Home Appliances, Customer eXperience Center.

Accessories

Charcoal Filter Kit

(for non-vented installations only)
Order Part Number W10272068

Recirculation Kit

(for non-vented installations only)
Order Part Number W10272060

Chimney Extension Kit

Order Part Number W10272075

6" (15.2 cm) Makeup Air Kit

(consult local building codes)
Order Part Number W10446915

In Canada

Call the dealer from whom your appliance was purchased, or call Jenn-Air at **1-800-536-6247** to locate an authorized service company. When calling, please know the purchase date and the complete model and serial number of your appliance. Be sure to retain proof of purchase to verify warranty status.

If the dealer or service company cannot resolve your problem, write to:

Jenn-Air Brand Home Appliances
Customer eXperience Centre
200 - 6750 Century Ave
Mississauga, ON L5N 0B7

Web address: www.jennair.ca

Or call: **1-800-536-6247**.

NOTE: When writing or calling about a service problem, please include the following information:

1. Your name, address and daytime telephone number.
2. Appliance model number and serial number.
3. Name and address of your dealer or servicer.
4. A clear description of the problem you are having.
5. Proof of purchase (sales receipt).

User's guides, service manuals and parts information are available from Jenn-Air Brand Home Appliances, Customer eXperience Centre.

JENN-AIR® MAJOR APPLIANCE WARRANTY

ONE YEAR LIMITED WARRANTY

For one year from the date of purchase, when this major appliance is installed, operated and maintained according to instructions attached to or furnished with the product, Jenn-Air brand of Whirlpool Corporation or Whirlpool Canada LP (hereafter "Jenn-Air") will pay for factory specified replacement parts and repair labor to correct defects in materials or workmanship that existed when this major appliance was purchased.

YOUR SOLE AND EXCLUSIVE REMEDY UNDER THIS LIMITED WARRANTY SHALL BE PRODUCT REPAIR AS PROVIDED HEREIN. Service must be provided by a Jenn-Air designated service company. This limited warranty is valid only in the United States or Canada and applies only when the major appliance is used in the country in which it was purchased. Outside the 50 United States and Canada, this limited warranty does not apply. This limited warranty is effective from the date of original consumer purchase. Proof of original purchase date is required to obtain service under this limited warranty.

ITEMS EXCLUDED FROM WARRANTY

This limited warranty does not cover:

1. Service calls to correct the installation of your major appliance, to instruct you on how to use your major appliance, to replace or repair house fuses, or to correct house wiring or plumbing.
2. Service calls to repair or replace appliance light bulbs, air filters or water filters. Consumable parts are excluded from warranty coverage.
3. Replacement parts or repair labor if this major appliance is used for other than normal, single-family household use or when it is used in a manner that is contrary to published user or operator instructions and/or installation instructions.
4. Damage resulting from accident, alteration, misuse, abuse, fire, flood, acts of God, improper installation, installation not in accordance with electrical or plumbing codes, or use of products including but not limited to consumables or cleaning products not approved by Jenn-Air.
5. Cosmetic damage, including scratches, dents, chips or other damage to the finish of your major appliance, unless such damage results from defects in materials or workmanship and is reported to Jenn-Air within 30 days from the date of purchase.
6. Any food loss due to refrigerator or freezer product failures.
7. Costs associated with the removal from your home of your major appliance for repairs. This major appliance is designed to be repaired in the home and only in-home service is covered by this warranty.
8. Repairs to parts or systems resulting from unauthorized modifications made to the appliance.
9. Expenses for travel and transportation for product service if your major appliance is located in a remote area where service by an authorized Jenn-Air servicer is not available.
10. The removal and reinstallation of your major appliance if it is installed in an inaccessible location or is not installed in accordance with published installation instructions.
11. Replacement parts or repair labor for major appliances with original model/serial numbers that have been removed, altered or cannot be easily determined. This warranty is void if the factory applied serial number has been altered or removed from your major appliance.
12. Removal or replacement of trim, decorative panels, flooring, cabinetry, islands, countertops, drywall or other built-in fixtures that interfere with servicing, removal or replacement of the product.

The cost of repair or replacement under these excluded circumstances shall be borne by the customer.

DISCLAIMER OF IMPLIED WARRANTIES

IMPLIED WARRANTIES, INCLUDING ANY IMPLIED WARRANTY OF MERCHANTABILITY OR IMPLIED WARRANTY OF FITNESS FOR A PARTICULAR PURPOSE, ARE LIMITED TO ONE YEAR OR THE SHORTEST PERIOD ALLOWED BY LAW. Some states and provinces do not allow limitations on the duration of implied warranties of merchantability or fitness, so this limitation may not apply to you. This warranty gives you specific legal rights, and you also may have other rights that vary from state to state or province to province.

DISCLAIMER OF REPRESENTATIONS OUTSIDE OF WARRANTY

Jenn-Air makes no representations about the quality, durability, or need for service or repair of this major appliance other than the representations contained in this warranty. If you want a longer or more comprehensive warranty than the limited warranty that comes with this major appliance, you should ask Jenn-Air or your retailer about buying an extended warranty.

LIMITATION OF REMEDIES; EXCLUSION OF INCIDENTAL AND CONSEQUENTIAL DAMAGES

YOUR SOLE AND EXCLUSIVE REMEDY UNDER THIS LIMITED WARRANTY SHALL BE PRODUCT REPAIR AS PROVIDED HEREIN. JENN-AIR SHALL NOT BE LIABLE FOR INCIDENTAL OR CONSEQUENTIAL DAMAGES. Some states and provinces do not allow the exclusion or limitation of incidental or consequential damages, so these limitations and exclusions may not apply to you. This warranty gives you specific legal rights, and you also may have other rights that vary from state to state or province to province.

If outside the 50 United States and Canada, contact your authorized Jenn-Air dealer to determine if another warranty applies.

If you need service, first see the "Troubleshooting" section of the Use & Care Guide. After checking "Troubleshooting," you may find additional help by checking the "Assistance or Service" section or by calling us at **1-800-JENNAIR (1-800-536-6247)**.

2/13

Keep this book and your sales slip together for future reference. You must provide proof of purchase or installation date for in-warranty service.

Write down the following information about your major appliance to better help you obtain assistance or service if you ever need it. You will need to know your complete model number and serial number. You can find this information on the model and serial number label located on the product.

Dealer name _____

Address _____

Phone number _____

Model number _____

Serial number _____

Purchase date _____

SÉCURITÉ DE LA HOTTE DE CUISINIÈRE

Votre sécurité et celle des autres est très importante.

Nous donnons de nombreux messages de sécurité importants dans ce manuel et sur votre appareil ménager. Assurez-vous de toujours lire tous les messages de sécurité et de vous y conformer.



Voici le symbole d'alerte de sécurité.

Ce symbole d'alerte de sécurité vous signale les dangers potentiels de décès et de blessures graves à vous et à d'autres.

Tous les messages de sécurité suivront le symbole d'alerte de sécurité et le mot "DANGER" ou "AVERTISSEMENT". Ces mots signifient :

⚠ DANGER

Risque possible de décès ou de blessure grave si vous ne suivez pas immédiatement les instructions.

⚠ AVERTISSEMENT

Risque possible de décès ou de blessure grave si vous ne suivez pas les instructions.

Tous les messages de sécurité vous diront quel est le danger potentiel et vous disent comment réduire le risque de blessure et ce qui peut se produire en cas de non-respect des instructions.

Avertissements de la proposition 65 de l'État de Californie :

AVERTISSEMENT : Ce produit contient au moins un produit chimique connu par l'État de Californie pour être à l'origine de cancers.

AVERTISSEMENT : Ce produit contient au moins un produit chimique connu par l'État de Californie pour être à l'origine de malformations et autres déficiences de naissance.

IMPORTANTES INSTRUCTIONS DE SÉCURITÉ

AVERTISSEMENT : POUR RÉDUIRE LE RISQUE D'INCENDIE, CHOC ÉLECTRIQUE OU DOMMAGES CORPORELS, RESPECTER LES INSTRUCTIONS SUIVANTES :

- Utiliser cet appareil uniquement dans les applications envisagées par le fabricant. Pour toute question, contacter le fabricant.
- Avant d'entreprendre un travail d'entretien ou de nettoyage, interrompre l'alimentation de la hotte au niveau du tableau de disjoncteurs, et verrouiller le tableau de disjoncteurs pour empêcher tout rétablissement accidentel de l'alimentation du circuit. Lorsqu'il n'est pas possible de verrouiller le tableau de disjoncteurs, placer sur le tableau de disjoncteurs une étiquette d'avertissement proéminente interdisant le rétablissement de l'alimentation.
- Tout travail d'installation ou câblage électrique doit être réalisé par une personne qualifiée, dans le respect des prescriptions de tous les codes et normes applicables, y compris les codes du bâtiment et de protection contre les incendies.
- Ne pas faire fonctionner un ventilateur dont le cordon ou la fiche est endommagé(e). Jeter le ventilateur ou le retourner à un centre de service agréé pour examen et/ou réparation.
- Une source d'air de débit suffisant est nécessaire pour le fonctionnement correct de tout appareil à gaz (combustion et évacuation des gaz à combustion par la cheminée), pour qu'il n'y ait pas de reflux des gaz de combustion. Respecter les directives du fabricant de l'équipement de chauffage et les prescriptions des normes de sécurité - comme celles publiées par la National Fire Protection Association (NFPA) et l'American Society for Heating, Refrigeration and Air Conditioning Engineers (ASHRAE), et les prescriptions des autorités réglementaires locales.
- Lors d'opérations de découpage et de perçage dans un mur ou un plafond, veiller à ne pas endommager les câblages électriques ou canalisations qui peuvent s'y trouver.
- Les ventilateurs d'évacuation doivent toujours décharger l'air à l'extérieur.

MISE EN GARDE : Cet appareil est conçu uniquement pour la ventilation générale. Ne pas l'utiliser pour l'extraction de matières ou vapeurs dangereuses ou explosives.

MISE EN GARDE : Pour minimiser le risque d'incendie et évacuer adéquatement les gaz, veiller à acheminer l'air aspiré par un conduit jusqu'à l'extérieur - ne pas décharger l'air aspiré dans un espace vide du bâtiment comme une cavité murale, un plafond, un grenier, un vide sanitaire ou un garage.

AVERTISSEMENT : POUR RÉDUIRE LE RISQUE D'INCENDIE, UTILISER UNIQUEMENT DES CONDUITS MÉTALLIQUES.

AVERTISSEMENT : POUR MINIMISER LE RISQUE D'UN FEU DE GRAISSE SUR LA CUISINIÈRE :

- Ne jamais laisser un élément de surface fonctionner à puissance de chauffage maximale sans surveillance. Un renversement/débordement de matière grasseuse pourrait provoquer une inflammation et la génération de fumée. Utiliser une puissance de chauffage moyenne ou basse pour le chauffage d'huile.
- Veiller à toujours faire fonctionner le ventilateur de la hotte lors de la cuisson avec une puissance de chauffage élevée ou lors de la cuisson d'un mets à flamber (à savoir crêpes Suzette, cerise jubilé, steak au poivre flambé).
- Nettoyer fréquemment les ventilateurs d'extraction. Veiller à ne pas laisser la graisse s'accumuler sur les surfaces du ventilateur ou des filtres.
- Utiliser toujours un ustensile de taille appropriée. Utiliser toujours un ustensile adapté à la taille de l'élément chauffant.

AVERTISSEMENT : POUR RÉDUIRE LE RISQUE DE DOMMAGES CORPORELS APRÈS LE DÉCLENCHEMENT D'UN FEU DE GRAISSE SUR LA CUISINIÈRE, APPLIQUER LES RECOMMANDATIONS SUIVANTES :^a

- Placer sur le récipient un couvercle bien ajusté, une tôle à biscuits ou un plateau métallique POUR ÉTOUFFER LES FLAMMES, puis éteindre le brûleur. VEILLER À ÉVITER LES BRÛLURES. Si les flammes ne s'éteignent pas immédiatement, ÉVACUER LA PIÈCE ET APPELER LES POMPIERS.
- NE JAMAIS PRENDRE EN MAIN UN RÉCIPENT ENFLAMMÉ - vous risquez de vous brûler.
- NE PAS UTILISER D'EAU, ni un torchon humide - ceci pourrait provoquer une explosion de vapeur brûlante.
- Utiliser un extincteur SEULEMENT si :
 - Il s'agit d'un extincteur de classe ABC, dont on connaît le fonctionnement.
 - Il s'agit d'un petit feu encore limité à l'endroit où il s'est déclaré.
 - Les pompiers ont été contactés.
 - Il est possible de garder le dos orienté vers une sortie pendant l'opération de lutte contre le feu.

^aRecommandations tirées des conseils de sécurité en cas d'incendie de cuisine publiés par la NFPA.

- **AVERTISSEMENT** : Pour réduire le risque d'incendie ou de choc électrique, ne pas utiliser ce ventilateur avec un quelconque dispositif de réglage de la vitesse à semi-conducteurs.

LIRE ET CONSERVER CES INSTRUCTIONS

EXIGENCES D'INSTALLATION

Outils et pièces

Rassembler les outils et pièces nécessaires avant d'entreprendre l'installation. Lire et observer les instructions fournies avec chacun des outils de la liste ci-dessous.

Outils nécessaires

- Niveau
- Perceuse avec des forets de 1/4" (3 cm), 3/8" (9,5 mm) et 5/16" (7,9 mm)
- Crayon
- Pince à dénuder ou couteau utilitaire
- Mètre-ruban ou règle
- Pince
- Pistolet à calfeutrage et composé de calfeutrage résistant aux intempéries
- Brides de serrage
- Scie sauteuse ou scie à guichet
- Tournevis à lame plate
- Cisaille de ferblantier
- Tournevis Phillips

Pièces nécessaires

- Câble d'alimentation électrique du domicile
- Serre-câble de 1/2" (12,7 mm) (homologation UL ou CSA)
- 3 connecteurs de fils homologués UL

Pour les installations avec décharge à l'extérieur, il faudra aussi :

- 1 bouche de décharge (décharge à travers le mur ou à travers le toit)
- Circuit d'évacuation métallique

Pour les installations sans décharge à l'extérieur (recyclage), il faudra aussi :

- Ensemble de recyclage, pièce numéro W10272060 pour les installations sans décharge à l'extérieur (recyclage) uniquement. Voir la section "Assistance ou service" pour commander.
- Conduit d'évacuation métallique circulaire de 8" (20,3 cm) de diamètre - longueur nécessaire déterminée par la hauteur de plafond.

Pièces fournies

Retirer les pièces de leur emballage. Vérifier que toutes les pièces sont présentes.

- Auvent de hotte avec ventilateur et lampes installés
- Raccord de transition avec clapets anti-reflux installés
- Filtre(s) à graisse métallique(s) – selon le modèle et la taille
- Bride de support du cache-conduit
- Gabarit de montage
- Cache-conduit - 2 pièces
- 8 vis de 4 x 8 mm
- 6 vis de montage de 5 x 45 mm
- 2 rondelles D6,4 x 18 mm
- 2 chevilles d'ancrage mural de 8 x 40 mm
- 4 chevilles d'ancrage mural de 10 x 50 mm

Exigences d'emplacement

IMPORTANT : Observer les dispositions de tous les codes et règlements en vigueur.

Confier l'installation de la hotte à un technicien qualifié. C'est à l'installateur qu'incombe la responsabilité de respecter les distances de séparation spécifiées sur la plaque signalétique de l'appareil. La plaque signalétique de l'appareil est située derrière le filtre de gauche, sur la paroi arrière de la hotte.

On doit toujours installer la hotte à distance des sources de courant d'air (fenêtres, portes et bouches de chauffage).

Respecter les dimensions indiquées pour les ouvertures à découper dans les placards. Ces dimensions tiennent compte des valeurs minimales des dégagements de séparation.

On doit disposer d'une prise de courant électrique reliée à la terre. Voir la section "Spécifications électriques".

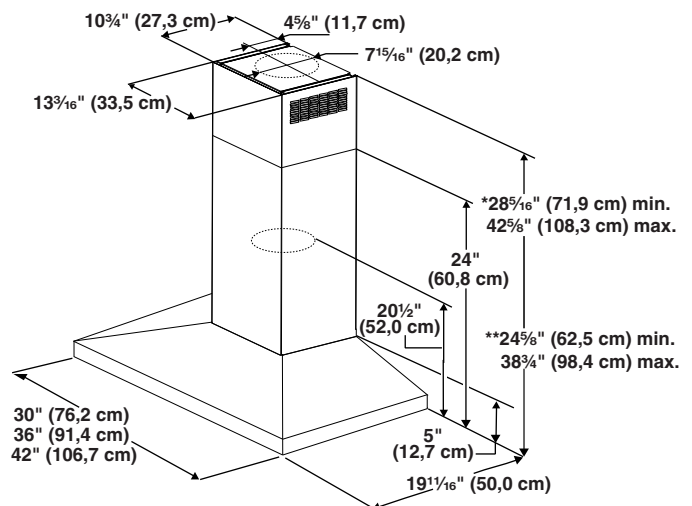
La hotte est configurée à l'usine pour une décharge à travers le toit ou un mur. Pour une installation sans décharge à l'extérieur (recyclage), voir "Installations sans décharge à l'extérieur (recyclage) uniquement", à la section "Raccordement du circuit d'évacuation". L'ensemble de recyclage (pièce numéro W10272060) est disponible chez votre marchand ou chez un distributeur de pièces autorisé.

On doit assurer l'étanchéité au niveau de chaque ouverture découpée dans le plafond et le mur où la hotte sera installée.

Installation dans une résidence mobile

L'installation de cette hotte doit satisfaire aux exigences de la norme Manufactured Home Construction Safety Standards, Titre 24 CFR, partie 328 (anciennement Federal Standard for Mobile Home Construction and Safety, titre 24, HUD, partie 280); lorsque cette norme n'est pas applicable, l'installation doit satisfaire aux critères de la plus récente édition de la norme Manufactured Home Installation 1982 (Manufactured Home Sites, Communities and Setups) ANSI A225.1/NFPA 501A, ou des codes locaux.

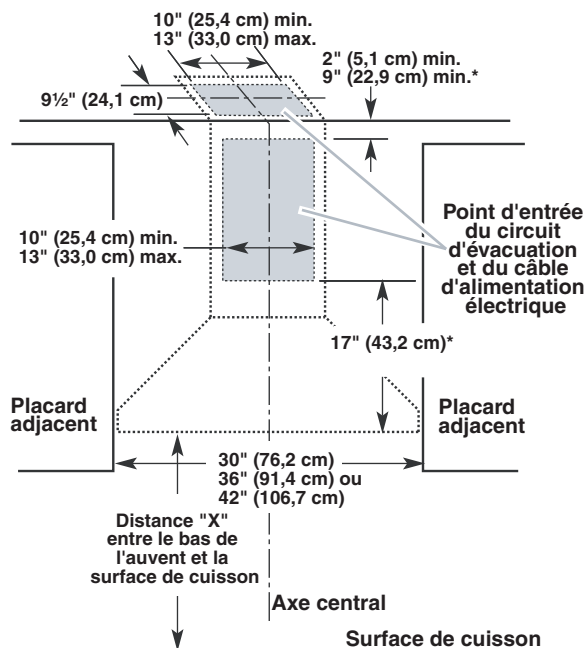
Dimensions du produit



*Installations sans décharge à l'extérieur (recyclage)

**Installations avec décharge à l'extérieur

Dimensions du placard



*Installations sans décharge à l'extérieur (recyclage)

***REMARQUE :** Les cache-conduits de hotte sont réglables; on peut les ajuster en fonction de la hauteur disponible sous plafond ou soffite, selon la distance "X" entre le bas de la hotte et la surface de cuisson. Pour des plafonds de hauteur supérieure, un ensemble de cache-conduit en acier inoxydable, pièce numéro W10272075 est disponible chez votre marchand ou chez un distributeur de pièces autorisé. L'extension de cache-conduit remplace la section supérieure du cache-conduit fournie avec la hotte.

IMPORTANT :

Valeur minimale de la distance "X" : 24" (61,0 cm) à partir de la surface de cuisson électrique.

Distance minimale "X" : 27" (68,6 cm) à partir d'une surface de cuisson au gaz.

Distance maximale "X" suggérée : 36" (91,4 cm)

Pour les installations avec décharge à l'extérieur, on peut ajuster les cache-conduits pour une hauteur sous plafond de 7' 11" (2,4 m) et 9' 2" (2,8 m).

Pour une installation sans décharge à l'extérieur (recyclage), on peut ajuster les cache-conduits pour une hauteur sous plafond entre 7' 11" (2,4 m) et 9' 6" (2,9 m).

Exigences concernant l'évacuation

(seulement pour un modèle avec décharge à l'extérieur)

- Le circuit d'évacuation doit décharger l'air à l'extérieur, excepté pour une installation sans décharge à l'extérieur (recyclage).
- Ne pas terminer le circuit d'évacuation dans un grenier ou dans un autre espace fermé.
- Ne pas utiliser une bouche de décharge murale de 4" (10,2 cm) normalement utilisée pour un équipement de buanderie.
- Utiliser uniquement du conduit métallique. Le conduit en métal rigide est recommandé. L'utilisation d'un conduit en plastique ou en aluminium n'est pas recommandée.

- La longueur du circuit d'évacuation et le nombre de coudes doit être réduit au minimum pour fournir la meilleure performance.

Pour un fonctionnement efficace et silencieux :

- Ne pas utiliser plus de trois coudes à 90°.
- Veiller à ce qu'il y ait une section droite de conduit de 24" (61,0 cm) ou plus entre deux coudes, si on doit utiliser plus de un raccord coudé.
- Ne pas connecter 2 coudes ensemble.
- Au niveau de chaque jointure du circuit d'évacuation, assurer l'étanchéité avec des brides de serrage pour conduit.
- Le circuit d'évacuation doit comporter un clapet anti-reflux. Si la bouche de décharge murale ou par le toit comporte un clapet, ne pas utiliser le clapet fourni avec la hotte d'extraction.
- Autour de la bouche de décharge à l'extérieur (mur ou toit), assurer l'étanchéité avec un composé de calfeutrage.
- La taille du conduit doit être uniforme.

Installation dans une région à climat froid

On doit installer un clapet anti-reflux additionnel pour minimiser le reflux d'air froid, et incorporer un élément d'isolation thermique pour minimiser la perte de chaleur par conduction par l'intermédiaire du conduit d'évacuation, de l'intérieur de la maison à l'extérieur. Le clapet anti-reflux doit être placé du côté froid par rapport à l'élément d'isolation thermique.

L'élément d'isolation thermique doit être aussi proche que possible de l'endroit où le circuit d'évacuation pénètre la partie chauffée de la maison.

Air d'appoint

Le code du bâtiment local peut exiger l'emploi d'un système de renouvellement de l'air/introduction d'air d'appoint, lors de l'utilisation d'un système d'aspiration de débit supérieur à une valeur (pieds cubes par minute) spécifiée. Le débit spécifié, pieds cubes par minute, est variable d'une juridiction à une autre. Consulter un professionnel des installations de chauffage ventilation/climatisation au sujet des exigences spécifiques applicables dans la juridiction locale.

Méthodes d'évacuation

Cette hotte a été configurée à l'usine pour la décharge de l'air aspiré à travers le toit ou à travers un mur.

Un circuit d'évacuation en conduit rond de 8" (20,3 cm) (non fourni) est nécessaire pour l'installation. La hotte comporte une ouverture de sortie de diamètre 8" (20,3 cm).

REMARQUE : On déconseille l'emploi de conduit flexible. Un conduit flexible peut causer une rétropression et des turbulences de l'air, ce qui réduit considérablement la performance.

La sortie à l'extérieur du circuit d'évacuation peut se faire à travers le toit ou à travers un mur. Pour la sortie à travers un mur, on doit employer un raccord coudé (90°).

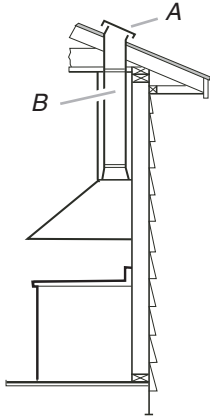
Décharge par l'arrière

Le raccord coudé à 90° peut être installé immédiatement au-dessus de la hotte.

Installation sans décharge à l'extérieur (recyclage)

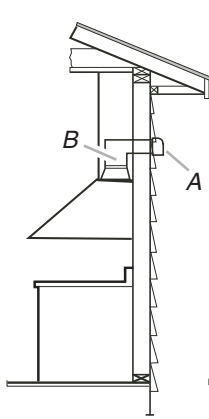
S'il n'est pas possible d'évacuer les fumées et vapeurs de cuisson à l'extérieur, on peut employer la version installation sans décharge à l'extérieur (recyclage) de la hotte, dotée d'un filtre à charbon actif et du déflecteur. Les vapeurs/fumées sont alors recyclées à travers la grille supérieure.

Décharge à travers le toit



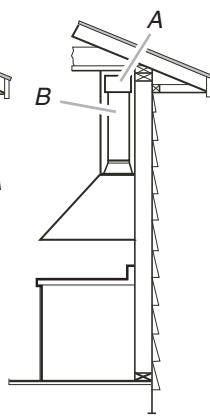
A. Bouche de décharge sur toit
B. Conduit rond 8" (20,3 cm)

Décharge à travers le mur



A. Bouche de décharge murale
B. Conduit rond 8" (20,3 cm)

Installation sans décharge à l'extérieur (recyclage)



A. Déflecteur
B. Conduit rond 8" (20,3 cm)

Dans l'exemple suivant, la longueur théorique du circuit est inférieure au maximum recommandé de 35 pi (10,7 m).

1 coude à 90°	= 5 pi (1,5 m)
1 bouche de décharge murale	= 0 pi (0,0 m)
Section droite de 8 pi (2,4 m)	= 8 pi (2,4 m)
Longueur du système	= 13 pi (3,9 m)

Spécifications électriques

Observer les dispositions de tous les codes et règlements en vigueur.

Vérifier que l'installation électrique a été correctement effectuée et qu'elle est conforme aux spécifications de la plus récente édition des normes National Electrical Code, ANSI/NFPA 70, ou de la norme CSA C22.1-94, Code canadien de l'électricité, partie 1 et C22.2 N° 0-M91 (dernière édition) et de tous les codes et règlements en vigueur locaux.

Si les codes le permettent et si on utilise un conducteur distinct de liaison à la terre, il est recommandé qu'un électricien qualifié vérifie la qualité de la liaison à la terre.

Pour obtenir un exemplaire de la norme des codes ci-dessus, contacter :

National Fire Protection Association
1 Batterymarch Park
Quincy, MA 02169-7471

CSA International
8501 East Pleasant Valley Road
Cleveland, OH 44131-5575



- L'appareil doit être alimenté par un circuit de 120 VCA seulement, 60 Hz, 15 A, protégé par fusible.
- Si le domicile est équipé d'un câblage en aluminium, suivre la procédure ci-dessous :
 1. Connecter une section de câble en cuivre massif aux conducteurs en queue de cochon.
 2. Connecter le câblage en aluminium à la section ajoutée de câblage en cuivre en utilisant des connecteurs et/ou des outils spécialement conçus et homologués UL pour fixer le cuivre à l'aluminium.

Appliquer la procédure recommandée par le fabricant des connecteurs électriques. La connexion aluminium/cuivre doit être conforme aux codes locaux et aux pratiques de câblage acceptées par l'industrie.

- Le calibre des conducteurs et les connexions doivent être compatibles avec la demande de courant de l'appareil spécifiée sur la plaque signalétique. La plaque signalétique de l'appareil est située derrière le filtre, sur la paroi arrière de la hotte.
- Le calibre des conducteurs doit satisfaire aux exigences de la plus récente édition de la norme National Electrical Code, ANSI/NFPA 70, ou des normes CSA C22.1-94, Code canadien de l'électricité, partie 1 et C22.2 n° 0-M91 (dernière édition) et de tous les codes et règlements en vigueur.

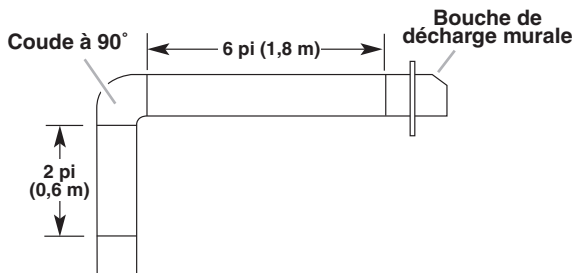
Calcul de la longueur effective du circuit d'évacuation

Pour calculer la longueur effective du circuit d'évacuation nécessaire, additionner les longueurs équivalentes (pieds/mètres) de tous les composants utilisés dans le système.

Composant de circuit d'évacuation	Diam, 8" (20,3 cm)	
Coude à 45°	2,5 pi (0,8 m)	
Coude à 90°	5 pi (1,5 m)	

La longueur équivalente maximum est de 35 pi (10,7 cm).

Exemple de circuit d'évacuation système de décharge.



INSTRUCTIONS D'INSTALLATION

Préparation de l'emplacement

- Il est recommandé d'installer le circuit d'évacuation avant de procéder à l'installation de la hotte.
 - Avant d'exécuter les découpages, vérifier la disponibilité d'un dégagement suffisant dans le plafond ou le mur pour le conduit d'évacuation.
 - Avant de sélectionner la hotte à installer, mesurer la hauteur libre sous plafond et la hauteur maximum disponible sous la hotte.
1. Déconnecter la source de courant électrique.
 2. Déterminer la méthode d'évacuation à utiliser : décharge à travers le mur ou le toit, ou recyclage.
 3. Sélectionner une surface plane pour l'assemblage de la hotte. Placer le matériau de protection sur cette surface.

AVERTISSEMENT

Risque du poids excessif

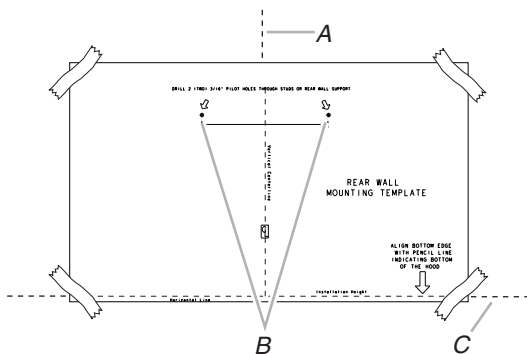
Utiliser deux ou plus de personnes pour déplacer et installer la hotte de la cuisinière.

Le non-respect de cette instruction peut causer une blessure au dos ou d'autre blessure.

4. À l'aide de deux personnes ou plus, soulever la hotte et la poser sur la surface couverte.

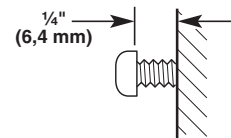
Installation des vis de montage de la hotte

1. Déterminer et marquer la position de l'axe central sur le mur où la hotte sera installée.
2. Sélectionner une hauteur de montage comprise entre un minimum de 24" (61,0 cm) pour une surface de cuisson électrique, un minimum de 27" (68,6 cm) pour une surface de cuisson au gaz et un maximum suggéré de 36" (91,4 cm) entre le dessus de la cuisinière et le bas de la hotte. Marquer la ligne de repérage sur le mur.
3. Fixer le gabarit en place avec du ruban adhésif; aligner l'axe central du gabarit et le bas du gabarit avec la ligne correspondant au bas de la hotte, et avec l'axe central déjà tracé sur le mur.



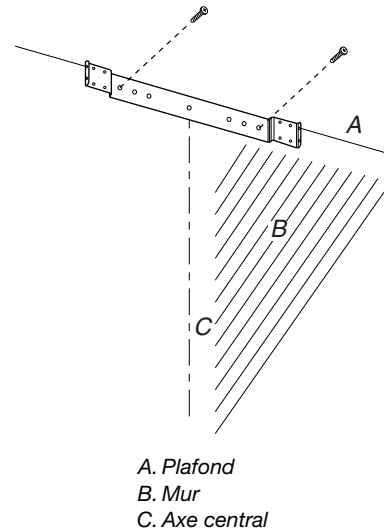
- A. Axe central
B. Emplacements des attaches
C. Ligne de référence pour la hauteur de montage (bas de la hotte)

4. À l'aide du gabarit, marquer sur le mur le centre des attaches.
IMPORTANT : Toutes les vis doivent être vissées dans du bois. Si l'on ne peut pas visser les vis dans du bois, des tasseaux supplémentaires pour accrochage mural seront peut-être nécessaires.
Retirer le gabarit.
5. Percer des avant-trous de $\frac{3}{16}$ " (4,8 mm) à tous les emplacements pour la pose des vis dans du bois.
6. Installer les 2 vis de montage de 5 x 45 mm. Laisser un espace de $\frac{1}{4}$ " (6,4 mm) entre le mur et l'arrière de la tête de vis pour faire glisser la hotte et la mettre en place.



Installation de la bride de cache-conduit

7. Fixer la bride du cache-conduit au mur en affleurement avec le plafond à l'aide de 2 vis de 5 x 45 mm.



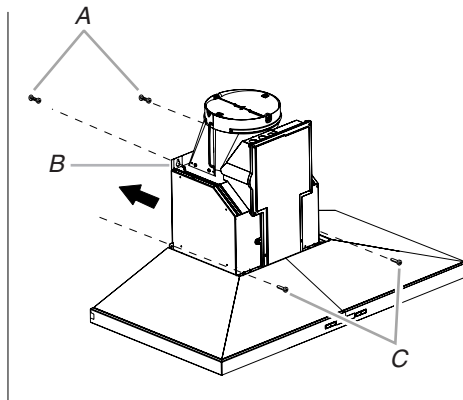
- A. Plafond
B. Mur
C. Axe central

Achever la préparation

1. Déterminer et effectuer tous les découpages nécessaires dans le mur pour le passage du circuit d'évacuation. Installer le circuit d'évacuation avant la hotte. Voir la section "Exigences concernant l'évacuation".
2. Déterminer la hauteur appropriée pour le cordon d'alimentation du domicile et percer un trou de $\frac{1}{4}$ " (3,2 cm) à cet endroit.
3. Acheminer le câble d'alimentation du domicile selon les prescriptions du Code national de l'électricité, des normes CSA et des codes et règlements locaux. Il faut que la longueur du conduit de $\frac{1}{2}$ " et des conducteurs soit suffisante depuis le tableau de distribution (avec fusibles ou disjoncteurs) pour réaliser le raccordement dans le boîtier de connexion de la hotte.
REMARQUE : Ne pas mettre le système sous tension avant d'avoir complètement terminé l'installation.
4. Utiliser un calfeutrant pour assurer l'étanchéité au niveau de chaque ouverture.

Installation de la hotte

1. À l'aide de deux personnes ou plus, suspendre la hotte aux 2 vis de montage, à travers les encoches de montage à l'arrière de la hotte.

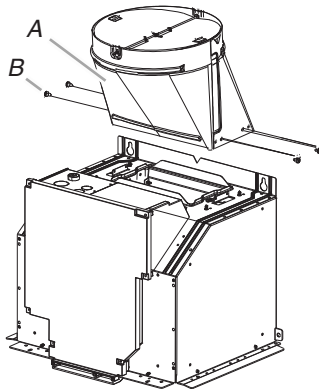


A. Vis de montage
B. Encoches de montage
C. Vis et rondelles de montage inférieures

2. Ôter le filtre à graisse. Voir la section "Entretien de la hotte".
3. Mettre la hotte de niveau et serrer les vis de montage supérieures.
4. Installer 2 vis de montage inférieures de 5 x 45 mm et 2 rondelles D6,4 x 18 mm et serrer ensuite.

Raccordement du circuit d'évacuation

1. Installer le raccord de transition au sommet de la hotte (s'il a été enlevé pour expédition), avec 4 vis de tôlerie de 4 x 8 mm.



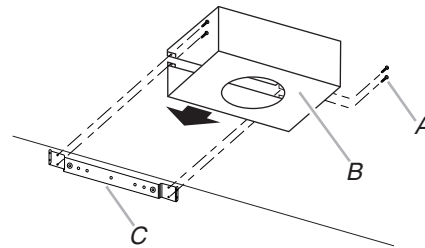
A. Raccord de transition
B. Vis de 4 x 8 mm (4)

Pour installations avec décharge à l'extérieur uniquement :

1. Installer le circuit d'évacuation sur le raccord de transition.
2. Serrer le point de connexion avec des brides de serrage.
3. Vérifier que les clapets anti-retour fonctionnent correctement.

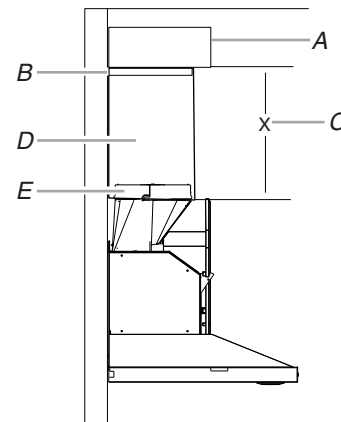
Installations sans décharge à l'extérieur (recyclage) uniquement :

1. Assembler le déflecteur d'air et la bride de cache-conduit à l'aide des 4 vis d'assemblage fournies avec l'ensemble de recyclage.



A. Vis d'assemblage
B. Déflecteur d'air
C. Bride de cache-conduit

2. Mesurer la distance entre le bas du déflecteur d'air et le bas de la sortie de la hotte.



A. Déflecteur d'air
B. Bride de conduit
C. X = longueur à laquelle couper le conduit d'évacuation
D. Conduit d'évacuation
E. Sortie d'évacuation

3. Tailler le conduit à la taille mesurée (X).
4. Retirer le déflecteur d'air.
5. Faire coulisser le conduit sur le bas du déflecteur d'air.
6. Placer le déflecteur d'air et le conduit assemblés sur la sortie d'évacuation de la hotte.
7. Réassembler le déflecteur d'air sur la bride de cache-conduit à l'aide des 4 vis d'assemblage.
8. Assurer l'étanchéité des connexions avec une bride de conduit.

Raccordement électrique

⚠ AVERTISSEMENT



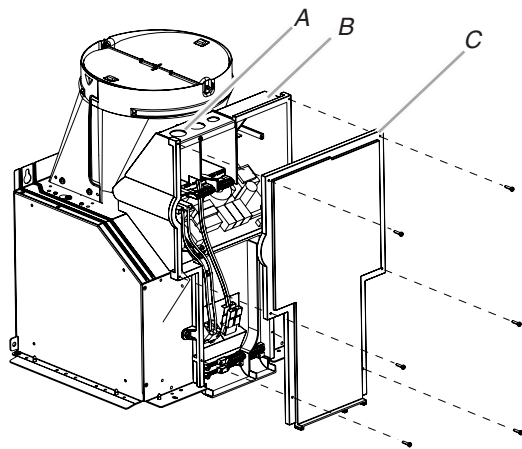
Risque de choc électrique

Déconnecter la source de courant électrique avant l'entretien.

Replacer pièces et panneaux avant de faire la remise en marche.

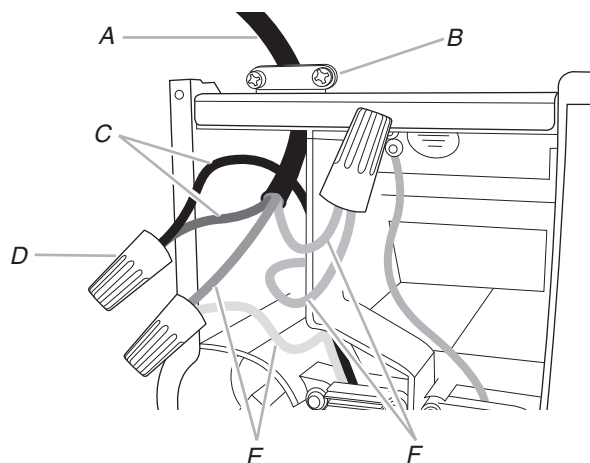
Le non-respect de ces instructions peut causer un décès ou un choc électrique.

1. Déconnecter la source de courant électrique.
2. Ôter le couvercle du boîtier de connexion.
3. Ôter l'opercule arrachable du boîtier de connexion et installer un serre-câble de 1/2" (homologation UL ou CSA).



A. Opercule arrachable
B. Boîtier de connexion
C. Couvercle du boîtier de connexion

4. Acheminer le cordon d'alimentation du domicile à travers le serre-câble, dans le boîtier de connexion.



A. Câble d'alimentation électrique du domicile
B. Serre-câble (homologation UL ou CSA)
C. Conducteurs noirs
D. Connecteurs de fils (homologation UL)
E. Conducteurs blancs
F. Conducteurs verts (ou nus) et vert-jaunes de liaison à la terre

5. Connecter ensemble les conducteurs noirs (C) à l'aide de connecteurs de fils (homologation UL).
6. Connecter ensemble les conducteurs blancs (E) à l'aide de connecteurs de fils (homologation UL).

⚠ AVERTISSEMENT



Risque de choc électrique

Relier le ventilateur à la terre.

Brancher le fil relié à la terre au fil vert et jaune relié à la terre dans la boîte de la borne.

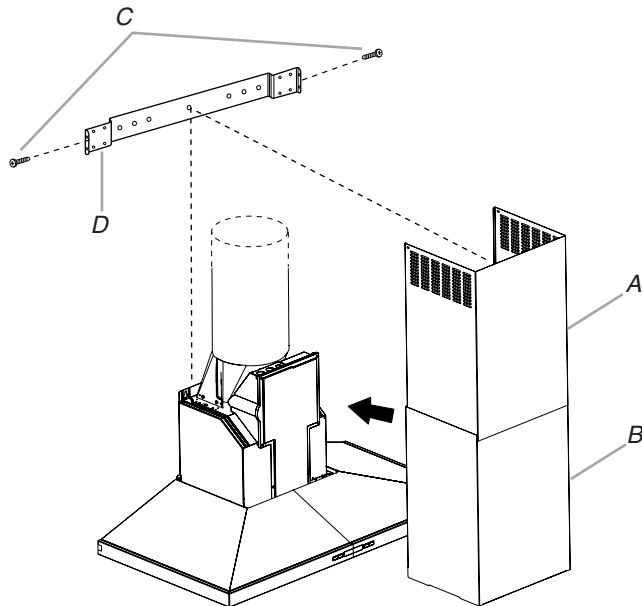
Le non-respect de ces instructions peut causer un décès ou un choc électrique.

7. À l'aide des connecteurs de fils (homologation UL), connecter le conducteur de liaison à la terre (vert ou nu) du câble d'alimentation du domicile au conducteur vert-jaune de liaison à la terre (F) dans le boîtier de connexion.
8. Serrer la vis du serre-câble.
9. Installer le couvercle du boîtier de connexion.
10. Vérifier que chaque ampoule est bien insérée dans sa douille.
11. Reconnecter la source de courant électrique.

Installation des cache-conduits

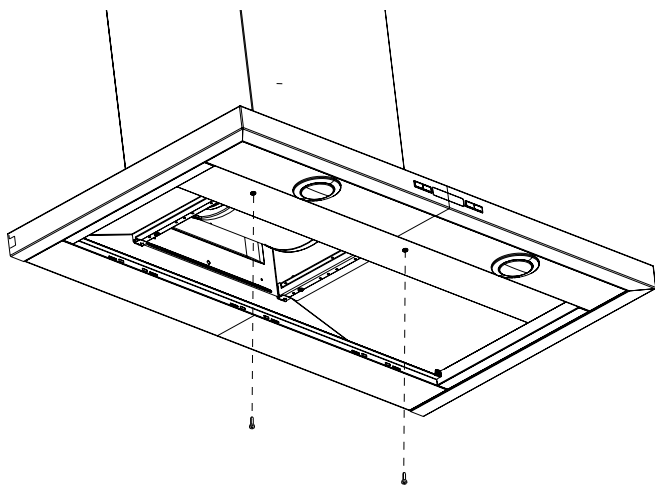
En cas d'utilisation des sections supérieure et inférieure du cache-conduit, pousser la section inférieure vers le bas, sur la hotte et soulever la section supérieure vers le plafond pour installer à l'aide des deux vis de 4 x 8 mm.

REMARQUE : Pour les installations avec décharge à l'extérieur, le cache-conduit supérieur peut être inversé pour dissimuler les fentes.



- A. Cache-conduit - section supérieure
- B. Cache-conduit - section inférieure
- C. Vis de 4 x 8 mm
- D. Bride

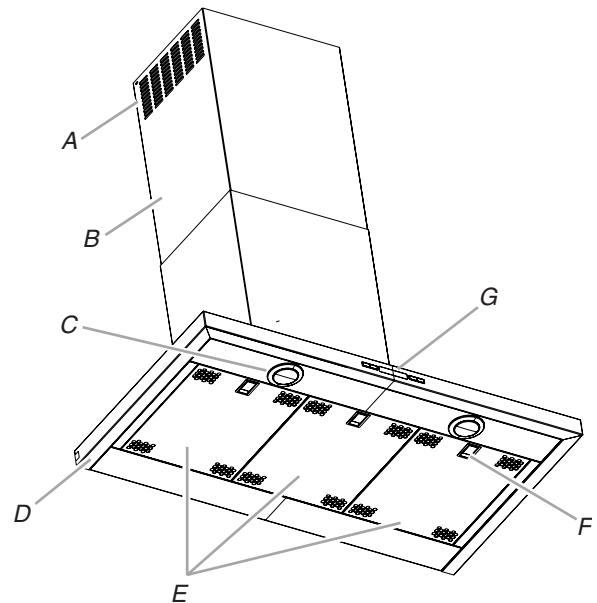
Fixer le bas du conduit avec 2 vis de 4 x 8 mm.



UTILISATION DE LA HOTTE

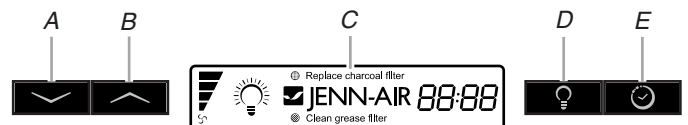
La hotte de cuisinière est conçue pour extraire fumée, vapeurs de cuisson et odeurs de la zone de la table de cuisson. Pour obtenir les meilleurs résultats, mettre la hotte en marche avant d'entreprendre une cuisson, et laisser la hotte fonctionner pendant plusieurs minutes après l'achèvement d'une cuisson pour pouvoir évacuer de la cuisine toute trace d'odeur de cuisson ou fumée.

Les commandes de la hotte de la cuisinière sont situées à l'avant de l'auvent.



- A. Ouvertures persiennes (installations sans décharge à l'extérieur - recyclage - uniquement)
- B. Cache-conduits
- C. Logements des lampes
- D. Auvent
- E. Filtres à graisse
- F. Encoches de saisie des filtres à graisse
- G. Tableau de commande

Tableau de commande



- A. Diminution de la puissance
- B. Augmentation de la puissance
- C. Affichage
- D. Éclairage
- E. Minuterie

Achever l'installation

1. Pour les installations sans décharge à l'extérieur (recyclage) uniquement, installer les filtres à charbon sur la grille du logement du ventilateur. Voir la section "Entretien de la hotte".
2. Installer les filtres métalliques. Voir la section "Entretien de la hotte".
3. Contrôler le fonctionnement du ventilateur de la hotte et de la lampe. Voir la section "Utilisation de la hotte".

REMARQUE : Pour pouvoir tirer le plus grand parti de la nouvelle hotte de cuisinière, lire la section "Utilisation de la hotte".

Affichage

Alarme de saturation du filtre à graisse

Après 30 heures de fonctionnement du ventilateur, l'affichage indique "Clean Grease Filter" (nettoyer le filtre à graisse) lorsque le ventilateur est activé. Lorsque cette icône apparaît sur l'affichage, les filtres à graisse installés doivent être lavés. Voir la section "Entretien de la hotte".

- Pour réinitialiser l'alarme de saturation du filtre à graisse, appuyer sur le bouton Power Increase (augmentation de la puissance) pendant 5 secondes. L'icône "Clean Grease Filter" (nettoyer le filtre à graisse) disparaît de l'affichage.

Alarme de saturation du filtre à charbon

Après 120 heures de fonctionnement du ventilateur, l'affichage indique "Replace Charcoal Filter" (remplacer le filtre à charbon) lorsque le ventilateur est activé. Lorsque cette icône apparaît sur l'affichage, les filtres à charbon doivent être remplacés. Voir la section "Entretien de la hotte".

- Pour réinitialiser l'alarme de saturation du filtre à charbon, appuyer sur le bouton Power Decrease (diminution de la puissance) pendant 5 secondes. L'icône "Replace Charcoal Filter" (remplacer le filtre à charbon) disparaît de l'affichage.

Activation et désactivation du signal sonore

Les signaux sonores peuvent être activés ou désactivés en appuyant sur le bouton "Light" (éclairage) pendant 5 secondes.

- Si le signal sonore a été activé, un signal sonore retentit et le symbole "Snd" (son) apparaît sur l'affichage pendant 3 secondes.
- Si le signal sonore a été désactivé, le symbole "Snd" (son) apparaît sur l'affichage pendant 3 secondes.

Inclusion et exclusion du filtre à charbon (accessoire de recyclage)

Lorsque le filtre à charbon est utilisé (mode recyclage), appuyer sur les boutons Power Decrease (diminution de la puissance) et Power Increase (augmentation de la puissance) en même temps pendant 5 secondes; "Able" apparaît sur l'affichage pendant 3 secondes.

Lorsque le filtre à charbon n'est pas utilisé (mode ventilation), appuyer sur les boutons Power Decrease (diminution de la puissance) et Power Increase (augmentation de la puissance) en même temps pendant 5 secondes; "None" (aucun) apparaît sur l'affichage pendant 3 secondes.

- Lorsque le filtre à charbon a été exclu, l'alarme de filtre à charbon est désactivée.
- L'inclusion ou l'exclusion du filtre à charbon doit être sélectionnée pendant que l'éclairage et le moteur du ventilateur sont éteints.

Capteur de chaleur

Le module de commande est équipé d'un capteur de chaleur qui met le ventilateur en marche à la vitesse maximale si la température autour de la zone du module de commande est excessive.

- Que le ventilateur soit activé ou non, il est automatiquement réglé à la vitesse maximale. "Auto" apparaît sur l'affichage pour indiquer que le capteur de chaleur a détecté un niveau de chaleur excessif.

- Lorsque le ventilateur fonctionne en raison d'un niveau de chaleur excessif détecté par le capteur de chaleur, on ne peut pas réduire la vitesse du ventilateur.
- Lorsque le niveau de température de la hotte retombe à un niveau normal, le ventilateur retourne au réglage qui avait été effectué avant que le niveau de chaleur excessif ne soit détecté.

Éclairage

Fonctionnement de l'éclairage :

1. Appuyer sur le bouton Light (éclairage) pour mettre la lumière au niveau d'éclairage fort.
2. Appuyer de nouveau sur le bouton Light (éclairage) pour mettre la lumière au niveau d'éclairage faible.
3. Appuyer sur le bouton Light une troisième fois pour éteindre la lumière.

Minuterie

La minuterie peut être réglée pour une période allant de 1 à 60 minutes. Le réglage par défaut de la minuterie est de 10 minutes.

Utilisation de la minuterie :

1. Appuyer sur le bouton Timer (minuterie) pour accéder au mode de minuterie. Après 5 secondes, la durée par défaut est automatiquement sélectionnée.
2. Appuyer sur les boutons Power Decrease (diminution de la puissance) et Power Increase (augmentation de la puissance) pendant que l'affichage clignote (pendant 5 secondes) pour ajuster la durée souhaitée. Si l'on appuie de nouveau sur le bouton de la minuterie ou que l'on attend 5 secondes après avoir sélectionné la durée souhaitée, le compte à rebours de la minuterie commence.
3. La minuterie peut être annulée à tout moment en appuyant de nouveau sur le bouton de la minuterie.

REMARQUE : Pendant le réglage de la minuterie, les boutons Power Decrease et Power Increase sont réservés à la minuterie. Après la mise en route de la minuterie, les boutons Power Decrease et Power Increase peuvent être utilisés pour d'autres fonctions.

Boutons de vitesse du ventilateur

Power Increase/On (augmentation de la puissance/activé)

Ce bouton sert à mettre en marche le ventilateur ou à augmenter la vitesse du ventilateur.

- Le ventilateur se met en marche si l'on appuie sur le bouton Power Increase et que la hotte est désactivée.
- Un signal sonore retentit lorsque le ventilateur atteint sa vitesse maximale.

Power Decrease/Off (diminution de la puissance/désactivé)

- Ce bouton sert à éteindre le ventilateur ou à diminuer la vitesse du ventilateur.

ENTRETIEN DE LA HOTTE

Nettoyage

IMPORTANT : Nettoyer fréquemment la hotte et les filtres à graisse en suivant les instructions suivantes. Réinstaller les filtres à graisse avant de faire fonctionner la hotte.

Surfaces externes :

Afin d'éviter d'endommager la surface externe, ne pas utiliser de tampons en laine d'acier ou de tampons à récurer savonneux.

Toujours essuyer pour éviter de laisser des marques d'eau.

Méthode de nettoyage :

- Savon détergent liquide et eau, ou produit de nettoyage polyvalent.
- Frotter avec un chiffon doux humide ou une éponge non abrasive, puis rincer avec de l'eau propre et essuyer.

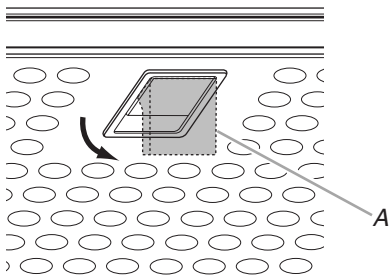
Filtre à graisse métallique

Les filtres doivent être lavés fréquemment. Placer les filtres métalliques dans un lave-vaisselle ou une solution de détergent chaude.

Laisser sécher le filtre complètement avant de le réinstaller.

Éteindre le ventilateur et les lampes. Laisser refroidir la lampe à halogène.

1. Retirer chaque filtre en tirant sur la poignée à ressort, puis en tirant le filtre vers le bas.



A. Poignée à ressort

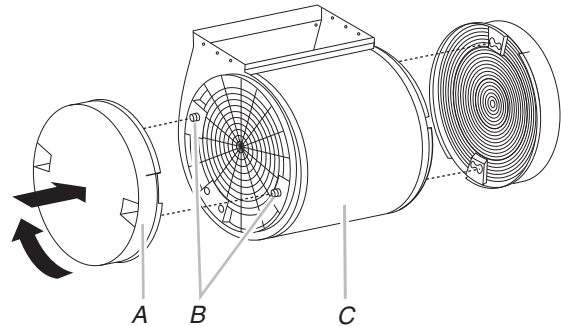
2. Laver les filtres métalliques selon le besoin au lave-vaisselle ou avec une solution de détergent chaude.
3. Réinstaller le filtre en s'assurant que les poignées à ressort sont orientées vers l'avant. Insérer le filtre à graisse métallique dans la rainure supérieure.
4. Tirer vers le bas la poignée à ressort.
5. Pousser le filtre métallique vers le haut et relâcher la poignée pour l'emboîter.
6. Répéter les étapes 1 à 5 pour l'autre filtre.

Filtres d'installation sans décharge à l'extérieur (recyclage)

Le filtre à charbon n'est pas lavable. Celui-ci devrait durer pendant un maximum de six mois dans des conditions d'utilisation normales. Remplacer par l'ensemble de filtre à charbon numéro W10272068.

Remplacement du filtre à charbon :

1. Placer le filtre à charbon sur la grille protégeant le moteur du ventilateur de façon à ce que les encoches du filtre correspondent aux tiges situées sur les côtés de la grille de protection du moteur.



A. Filtre à charbon

B. Tiges

C. Moteur du ventilateur

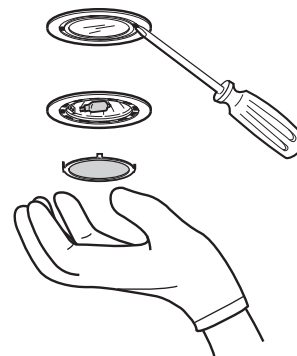
2. Faire pivoter le filtre à charbon dans le sens horaire pour l'emboîter.
3. Répéter les étapes 1 à 2 pour l'autre filtre.

Remplacement d'une lampe à halogène

Éteindre la hotte; attendre le refroidissement de la lampe à halogène. Pour éviter d'endommager ou de réduire la longévité de la lampe neuve, ne pas toucher la lampe avec les doigts nus. Remplacer la lampe en la manipulant avec un mouchoir de papier ou des gants de coton.

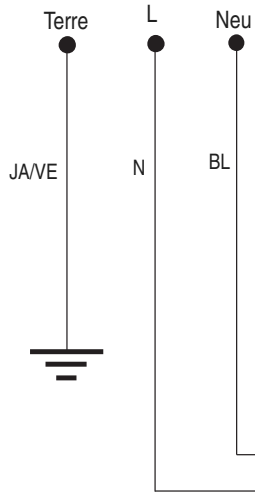
Si les nouvelles lampes ne fonctionnent pas, vérifier que chaque lampe est correctement insérée dans sa douille avant de demander l'intervention d'un réparateur.

1. Déconnecter la source de courant électrique.
2. À l'aide d'un tournevis à lame plate, dégager le protège-lampe avec précaution.

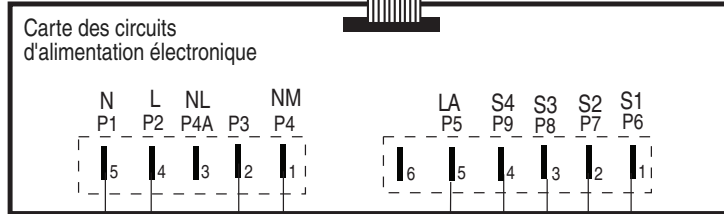


3. Enlever la lampe et la remplacer par une lampe à halogène neuve de 120 V/40 W maximum, à culot de type G-9.
4. Réinstaller le protège-lampe.
5. Reconnecter la source de courant électrique.

SCHÉMA DE CÂBLAGE

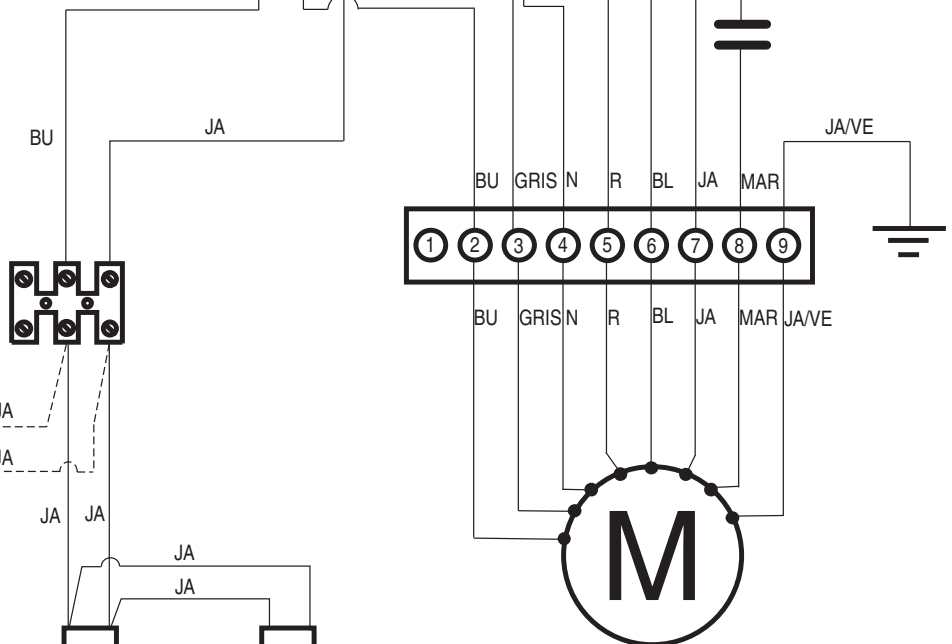


Interface utilisateur électronique

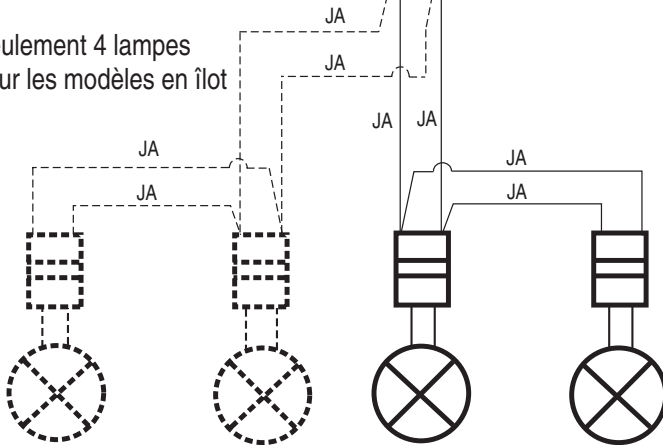


BL N BU BU JA

Caractéristiques du moteur	
Alimentation	120 VCA
Fréquence	60 HZ
Absorption de courant	450 W
Courant	3,7 A
Résistance du moteur (ohms)	
Bleu - Noir	9,8
Bleu - Gris	14,3
Bleu - Rouge	18
Bleu - Blanc	21,6
Temp. amb.	73,4°F (23°C)



Seulement 4 lampes pour les modèles en îlot



SE124A

ASSISTANCE OU SERVICE

Lors d'un appel pour assistance ou service, veuillez connaître la date d'achat, le numéro de modèle et le numéro de série complets de l'appareil. Ces renseignements nous aideront à mieux répondre à votre demande.

Si vous avez besoin de pièces de rechange

Si vous avez besoin de commander des pièces de rechange, nous vous recommandons d'employer uniquement les pièces spécifiées par l'usine. Les pièces spécifiées par l'usine conviendront et fonctionneront bien parce qu'elles sont fabriquées avec la même précision utilisée dans la fabrication de chaque nouvel appareil. Pour localiser les pièces spécifiées par l'usine dans votre région, nous appeler ou téléphoner au centre de service désigné le plus proche.

Au Canada

Téléphonez au marchand qui vous a vendu l'appareil ou téléphonez à Jenn-Air en composant le **1-800-536-6247** pour localiser une compagnie de service autorisée. Lors d'un appel, veuillez connaître la date d'achat et les numéros de modèle et de série complets de votre appareil. Assurez-vous de conserver la preuve d'achat pour vérifier les conditions de la garantie.

Si le marchand ou la compagnie de service ne peut pas résoudre votre problème, écrivez à :

Jenn-Air Brand Home Appliances
Customer eXperience Centre
200 - 6750 Century Ave
Mississauga, ON L5N 0B7

Adresse Internet : www.jennair.ca

ou composez le **1-800-536-6247**.

REMARQUE : Pour toute correspondance ou appel au sujet d'un problème de service, veuillez inclure les renseignements suivants :

1. Vos nom, adresse et numéro de téléphone durant la journée.
2. Numéros de modèle et de série de l'appareil.
3. Nom et adresse de votre marchand ou du service d'entretien.
4. Une description claire du problème existant.
5. Preuve d'achat (reçu de vente).

Les guides de l'utilisateur, manuels d'entretien et informations sur les pièces sont disponibles auprès du Centre d'interaction avec la clientèle des appareils électroménagers de la marque Jenn-Air.

Accessoires

Ensemble filtre à charbon

(pour installations sans décharge à l'extérieur uniquement)

Commander la pièce numéro W10272068

Ensemble de recyclage

(pour installations sans décharge à l'extérieur uniquement)

Commander la pièce numéro W10272060

Ensemble d'extension de cache-conduit

Commander la pièce numéro W10272075

Ensemble d'air de compensation de 6" (15,2 cm)

(consulter le code du bâtiment local)

Commander la pièce numéro W10446915

GARANTIE DES GROS APPAREILS MÉNAGERS JENN-AIR®

GARANTIE LIMITÉE DE UN AN

Pendant un an à compter de la date d'achat, lorsque ce gros appareil ménager est installé, utilisé et entretenu conformément aux instructions jointes au produit ou fournies avec, la marque Jenn-Air de Whirlpool Corporation ou Whirlpool Canada LP (ci-après désignées "Jenn-Air") paiera pour les pièces de rechange spécifiées par l'usine et pour la main-d'œuvre pour corriger les vices de matériaux ou de fabrication qui existaient déjà lorsque ce gros appareil ménager a été acheté.

LE SEUL ET EXCLUSIF RECOURS DU CLIENT DANS LE CADRE DE LA PRÉSENTE GARANTIE LIMITÉE CONSISTE EN LA RÉPARATION PRÉVUE CI-DESSUS. L'entretien/le dépannage doit être effectué par une compagnie de dépannage désignée par Jenn-Air. Cette garantie limitée est valide uniquement aux États-Unis ou au Canada et s'applique exclusivement lorsque l'appareil est utilisé dans le pays où il a été acheté. À l'extérieur du Canada et des 50 États des États-Unis, cette garantie limitée ne s'applique pas. Cette garantie limitée est effective à compter de la date d'achat d'origine par le consommateur. Une preuve de la date d'achat original est exigée pour obtenir un service dans le cadre de la présente garantie limitée.

ARTICLES EXCLUS DE LA GARANTIE

La présente garantie limitée ne couvre pas :

1. Les visites de service pour rectifier l'installation du gros appareil ménager, montrer à l'utilisateur comment utiliser l'appareil, remplacer ou réparer des fusibles ou rectifier le câblage ou la plomberie du domicile.
2. Les visites de service pour réparer ou remplacer les ampoules électriques de l'appareil, les filtres à air ou les filtres à eau. Les pièces consommables ne sont pas couvertes par la garantie.
3. Les réparations lorsque le gros appareil ménager est utilisé à des fins autres que l'usage unifamilial normal ou lorsque les instructions d'installation et/ou les instructions de l'opérateur ou de l'utilisateur fournies ne sont pas respectées.
4. Les dommages imputables à : accident, modification, usage impropre ou abusif, incendie, inondation, actes de Dieu, installation fautive ou installation non conforme aux codes d'électricité ou de plomberie, ou l'utilisation de pièces consommables ou de produits nettoyants non approuvés par Jenn-Air.
5. Les défauts apparents, notamment les éraflures, les bosses, fissures ou tout autre dommage au fini du gros appareil ménager, à moins que ces dommages soient dus à des vices de matériaux ou de fabrication et soient signalés à Jenn-Air dans les 30 jours suivant la date d'achat.
6. Toute perte d'aliments due à une défaillance du réfrigérateur ou du congélateur.
7. Les coûts associés au transport du gros appareil ménager du domicile pour réparation. Ce gros appareil ménager est conçu pour être réparé à domicile et seul le service à domicile est couvert par la présente garantie.
8. Les réparations aux pièces ou systèmes résultant d'une modification non autorisée faite à l'appareil.
9. Les frais de transport pour le service d'un produit si votre gros appareil est situé dans une région éloignée où un service d'entretien Jenn-Air autorisé n'est pas disponible.
10. La dépose et la réinstallation de votre gros appareil si celui-ci est installé dans un endroit inaccessible ou n'est pas installé conformément aux instructions d'installation fournies.
11. Les pièces de rechange ou la main-d'œuvre pour les gros appareils ménagers dont les numéros de modèle/de série ont été enlevés, modifiés ou qui ne peuvent pas être facilement identifiés. La présente garantie est nulle si le numéro de série d'usine a été modifié ou enlevé du gros appareil ménager.
12. Le retrait ou la réinstallation de garnitures, panneaux décoratifs, plancher, meubles, cuisines en îlot, plans de travail, panneaux de gypse ou autres dispositifs préinstallés qui entravent le dépannage, le retrait ou le remplacement du produit.

Le coût d'une réparation ou d'un remplacement dans le cadre de ces circonstances exclues est à la charge du client.

CLAUSE D'EXONÉRATION DE RESPONSABILITÉ AU TITRE DES GARANTIES IMPLICITES

LES GARANTIES IMPLICITES, Y COMPRIS LES GARANTIES APPLICABLES DE QUALITÉ MARCHANDE OU D'APTITUDE À UN USAGE PARTICULIER, SONT LIMITÉES À UN AN OU À LA PLUS COURTE PÉRIODE AUTORISÉE PAR LA LOI. Certains États et provinces ne permettent pas de limitation sur la durée des garanties implicites de qualité marchande ou d'aptitude à un usage particulier, de sorte que la limitation ci-dessus peut ne pas être applicable dans votre cas. Cette garantie vous confère des droits juridiques spécifiques et vous pouvez également jouir d'autres droits qui peuvent varier d'une juridiction à l'autre.

EXONÉRATION DE RESPONSABILITÉ DANS LES DOMAINES NON COUVERTS PAR LA GARANTIE

Jenn-Air décline toute responsabilité au titre de la qualité, de la durabilité ou en cas de dépannage ou de réparation nécessaire sur ce gros appareil ménager autre que les responsabilités énoncées dans la présente garantie. Si vous souhaitez une garantie plus étendue ou plus complète que la garantie limitée fournie avec ce gros appareil ménager, adressez-vous à Jenn-Air ou à votre détaillant pour obtenir les modalités d'achat d'une garantie étendue.

LIMITATION DES RECOURS; EXCLUSION DES DOMMAGES FORTUITS OU INDIRECTS

LE SEUL ET EXCLUSIF RECOURS DU CLIENT DANS LE CADRE DE LA PRÉSENTE GARANTIE LIMITÉE CONSISTE EN LA RÉPARATION PRÉVUE PAR LA PRÉSENTE. JENNAIR N'ASSUME AUCUNE RESPONSABILITÉ POUR LES DOMMAGES FORTUITS OU INDIRECTS. Certains États et certaines provinces ne permettent pas l'exclusion ou la limitation des dommages fortuits ou indirects de sorte que ces limitations et exclusions peuvent ne pas être applicables dans votre cas. Cette garantie vous confère des droits juridiques spécifiques et vous pouvez également jouir d'autres droits qui peuvent varier d'une juridiction à l'autre.

Si vous résidez à l'extérieur du Canada et des 50 États des États-Unis, contactez votre marchand Jenn-Air autorisé pour déterminer si une autre garantie s'applique.

Si vous avez besoin de service, voir d'abord la section "Dépannage" du Guide d'utilisation et d'entretien. Après avoir vérifié la section "Dépannage", de l'aide supplémentaire peut être trouvée en vérifiant la section "Assistance ou service" ou en nous appelant au **1-800-JENNAIR (1-800-536-6247)**.

Conservez ce manuel et votre reçu de vente ensemble pour référence ultérieure. Pour le service sous garantie, vous devez présenter un document prouvant la date d'achat ou d'installation.

Inscrivez les renseignements suivants au sujet de votre gros appareil ménager pour mieux vous aider à obtenir assistance ou service en cas de besoin. Vous devrez connaître le numéro de modèle et le numéro de série au complet. Vous trouverez ces renseignements sur la plaque signalétique située sur le produit.

Nom du marchand _____

Adresse _____

Numéro de téléphone _____

Numéro de modèle _____

Numéro de série _____

Date d'achat _____

