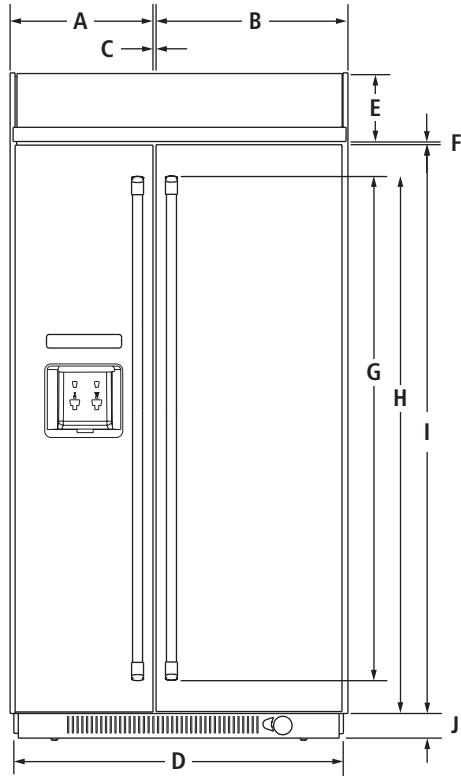


42" PRO-STYLE® SIDE-BY-SIDE REFRIGERATOR WITH DISPENSER

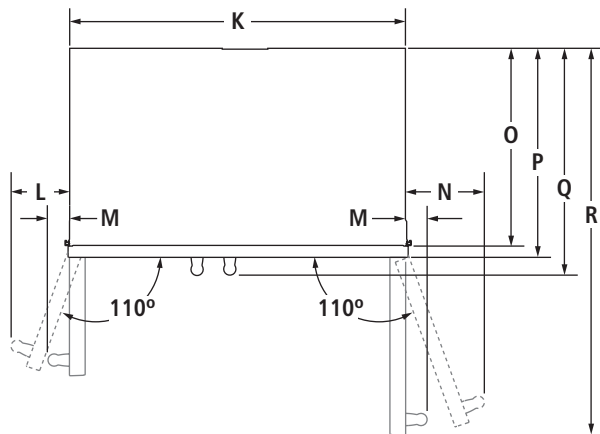
JS42PPDUDB – 42 1/4" x 83" x 27 3/4"

PRODUCT DIMENSIONS



FRONT VIEW

MODEL #		JS42PPDUDB	
		in	cm
A	Width of freezer door	17 1/4	43.7
B	Width of refrigerator door	23 1/4	59.0
C	Space between doors	3/8	1.0
D	Overall width	42 1/4	107.0
E	Height of top grille	8 5/8	21.7
F	Space between doors and top grille	3/8	1.0
G	Height of handles	63	160.0
H	Height to top of handles	67	170.3
I	Height of doors	71	180.2
J	Height of bottom grille	3 1/2	8.9
K	Width of recessed refrigerator	41 5/8	106.4
L	Width from side of refrigerator to freezer handle – door fully open 110°	7 1/8	18.1
M	Width from side of refrigerator to handle – door open 90°	2 5/8	6.7
N	Width from side of refrigerator to refrigerator handle – door fully open 110°	9 5/8	24.4
O	Depth without doors	22 1/8	56.2
P	Depth with doors	25 1/8	63.8
Q	Depth with handles	27 3/4	70.5
R	Depth with refrigerator door open 90°	47 1/4	120.0

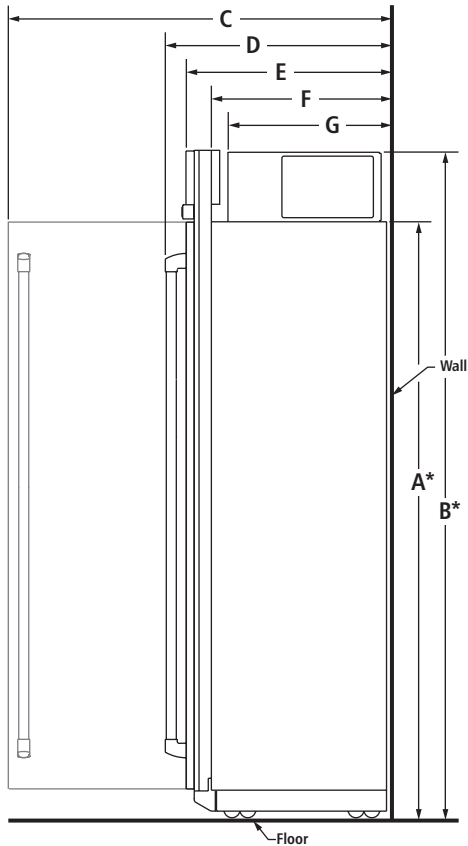


TOP VIEW

42" PRO-STYLE® SIDE-BY-SIDE REFRIGERATOR WITH DISPENSER

JS42PPDUB – 42¹/₄" x 83" x 27³/₄"

DIMENSIONS AS INSTALLED



SIDE VIEW

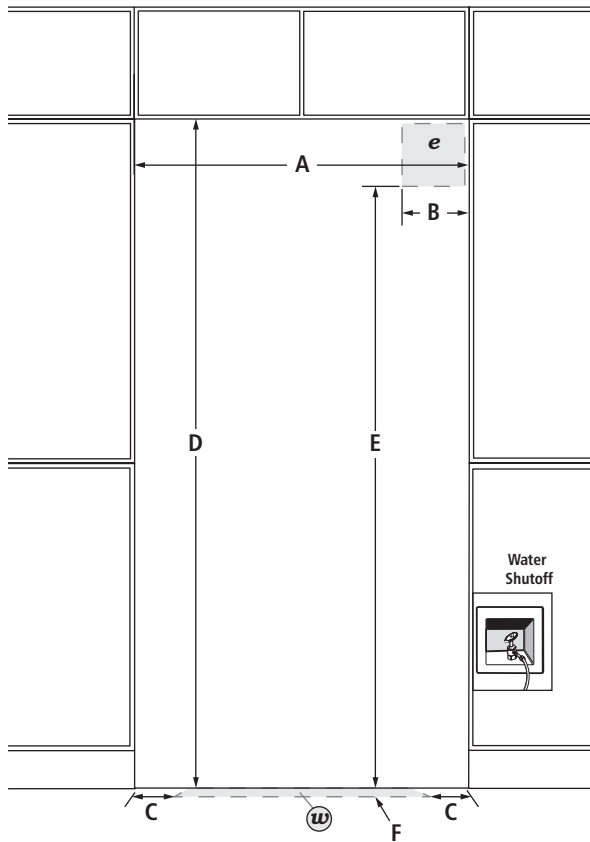
MODEL #		JS42PPDUB	
		in	cm
A*	Height without compressor (min.)	74 ³ / ₈	188.9
B*	Height of recessed refrigerator (min.)	83	210.8
C	Depth with refrigerator door open 90° (min.)	47 ¹ / ₄	120.0
D	Depth with handles (min.)	27 ³ / ₄	70.5
E	Depth with doors (min.)	25 ¹ / ₈	63.8
F	Depth without doors (min.)	22 ¹ / ₈	56.2
G	Depth of compressor (min.)	19 ⁷ / ₈	50.6

*Add 1¹/₈" (2.9 cm) to the height dimension when leveling legs are fully extended.

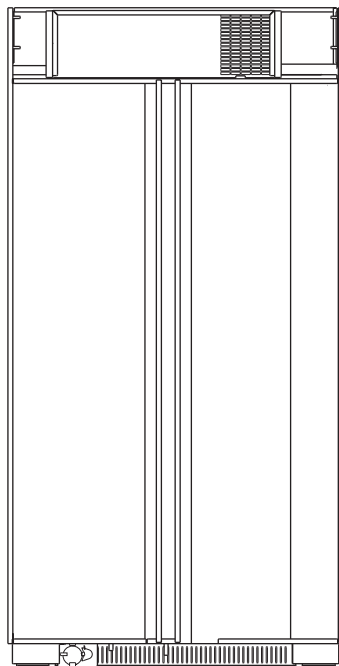
42" PRO-STYLE® SIDE-BY-SIDE REFRIGERATOR WITH DISPENSER

JS42PPDUB – 42 1/4" x 83" x 27 3/4"

OPENING/CLEARANCE DIMENSIONS



FRONT VIEW



BACK VIEW

MODEL #		JS42PPDUB	
		in	cm
A	Width (min.)	41 1/2	105.4
B	Width of recommended electrical location	4	10.2
C	Distance from side of cabinet to recommended water connection location	6	15.2
D	Height (min.)	83 1/2	212.1
E	Height to recommended electrical location	77	195.6
F	Depth of recommended water connection location (max.)	1	2.5
e	Recommended electrical connection location		
w	Recommended water connection location		

ELECTRICAL REQUIREMENTS

115 volt, 60 Hz, AC only, 15- or 20-amp fused, grounded circuit is required. A dedicated circuit is recommended. Use an outlet that cannot be turned off by a switch.

Minimum length of power cord is 84" (213.4 cm). Do not use an extension cord.

WATER PRESSURE REQUIREMENTS

A cold water supply with water pressure between 30 and 120 psi (207 and 827 kPa) is required to operate the water dispenser and ice maker. Call a licensed, qualified plumber with any questions about the water pressure.

Reverse Osmosis Water Supply

IMPORTANT: The pressure of the water coming out of a reverse osmosis system going to the water inlet valve of the refrigerator needs to be between 30 and 120 psi (207 and 827 kPa).

If a reverse osmosis water filtration system is connected to the cold water supply, the water pressure to the reverse osmosis system needs to be a minimum of 40 to 60 psi (276 to 414 kPa).

LOCATION REQUIREMENTS

Floor must be able to support refrigerator (more than 600 lb [272 kg]) and contents of the refrigerator and must be at the same level as flooring in the room.