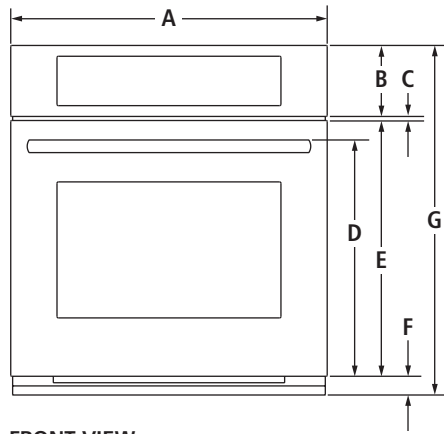


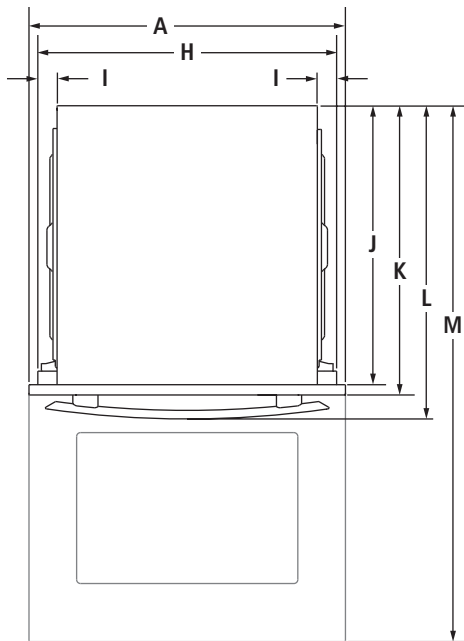
27" SINGLE WALL OVENS

JJW2427W, JJW2327W – 26¾" x 29½" x 26¾"

PRODUCT DIMENSIONS



FRONT VIEW



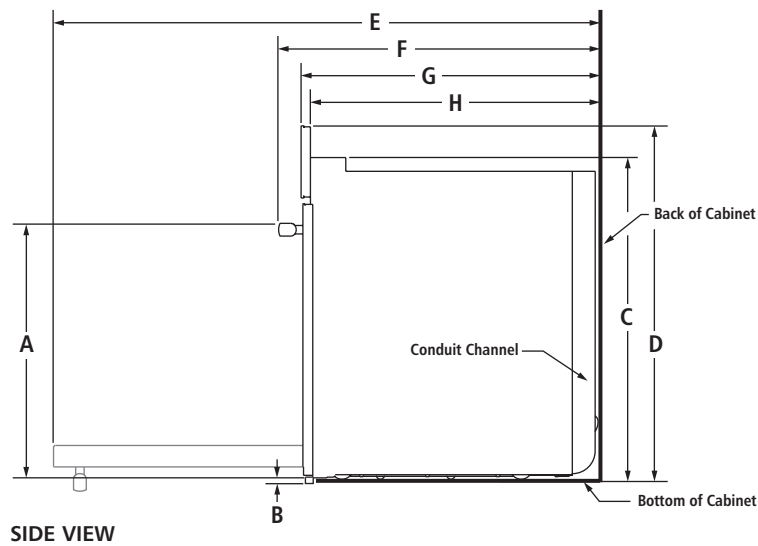
TOP VIEW

MODEL #		JJW2427W	
		in	cm
A	Overall width		
	Euro-Style Stainless	26¾	67.9
	Floating Glass	26⅝	67.6
B	Height of control panel	6	15.2
C	Space between control panel and door	⅜	0.9
D	Height to top of handle	20	50.7
E	Height of door	21⅝	54.9
F	Height of trim	1½	4.0
G	Overall height	29½	75.0
H	Width of recessed oven	25¼	64.1
I	Width of conduit channel	1½	3.8
J	Depth of recessed oven	23⅞	60.5
K	Depth with door	24¾	62.8
L	Depth with handle	26¾	68.0
M	Depth with door fully open	45⅜	115.2

27" SINGLE WALL OVENS

JJW2427W, JJW2327W – 26¾" x 29½" x 26¾"

DIMENSIONS AS INSTALLED

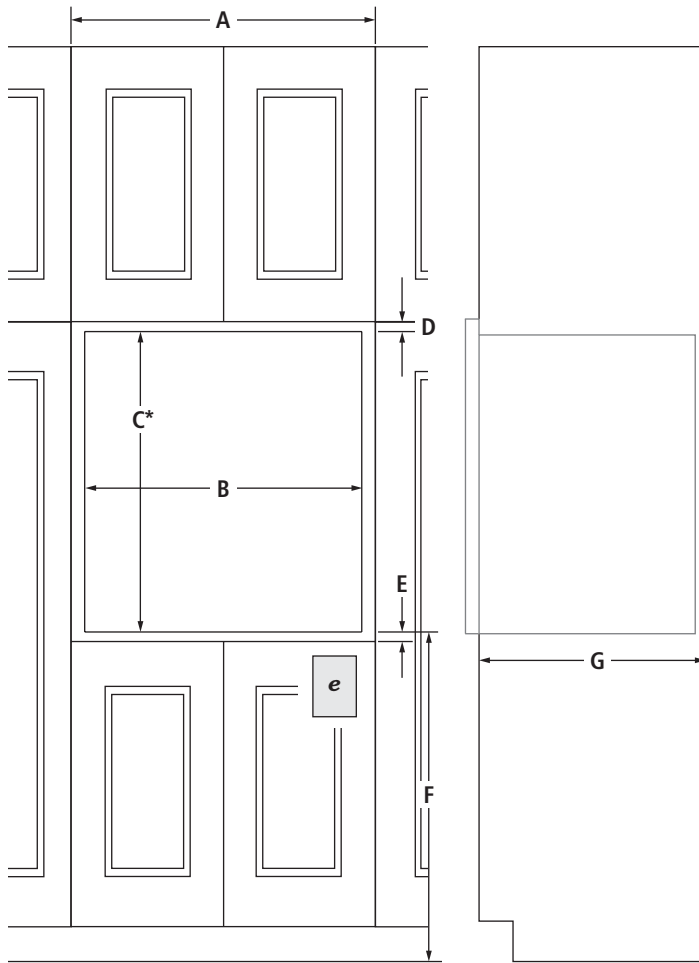


MODEL #		JJW2427W	
		JJW2327W	
		in	cm
A	Height to top of handle	21 ³ / ₈	54.4
B	Height of trim extending below cutout	¼	0.6
C	Height of recessed oven	26 ³ / ₄	68.0
D	Height to top of control panel	29 ³ / ₈	74.7
E	Depth with door fully open	45 ³ / ₈	115.2
F	Depth with handle	26 ³ / ₄	68.0
G	Depth with door	24 ³ / ₄	62.8
H	Depth of recessed oven	23 ⁷ / ₈	60.5

27" SINGLE WALL OVENS

JJW2427W, JJW2327W – 26³/₄" x 29¹/₂" x 26³/₄"

OPENING/CLEARANCE DIMENSIONS



FRONT VIEW

SIDE VIEW

MODEL #		JJW2427W	
		in	cm
A	Width of cabinet (min.)	27	68.6
B	Width of cutout	25 ¹ / ₂	64.8
C*	Height of cutout (recommended)	27 ³ / ₄	70.5
D	Top of cutout to bottom of upper cabinet door (min.)	2	5.1
E	Bottom of cutout to top of lower cabinet door (min.)	1 ¹ / ₂	3.8
F	Bottom of cutout to floor	4 ⁵ / ₈ -32	11.7-81.3
G	Depth of cutout (min.)	24	61.0
H	Bottom of countertop to bottom of cutout (min.)	30 ¹ / ₂	77.5
e	Recommended junction box location		

*Will fit cutout height from 27" (68.6 cm) to 29¹/₁₆" (73.8 cm).

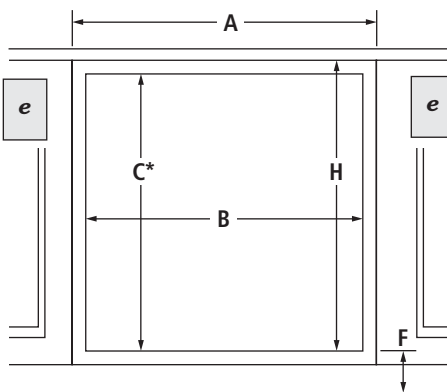
ELECTRICAL REQUIREMENTS

240 volt, 20-amp fused, grounded circuit is required. A dedicated circuit is recommended.

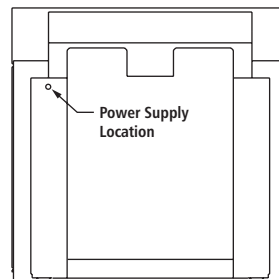
The length of conduit provided is for serviceability. Do not cut the conduit. The junction box should be located 3" (7.6 cm) maximum below the support surface. Drill a 1¹/₄" (3.4 cm) minimum diameter hole in the right rear corner of the support surface for access to the junction box.

If the junction box is on the rear wall behind the oven, it must be recessed and located in any corner of the cabinet.

NOTE: For under counter installation, the junction box should be located in the adjacent right or left cabinet. Drill a 1¹/₄" (3.4 cm) minimum diameter hole in an upper corner of the side wall for access to the junction box.



UNDER COUNTER INSTALLATION
(without cooktop installed above)

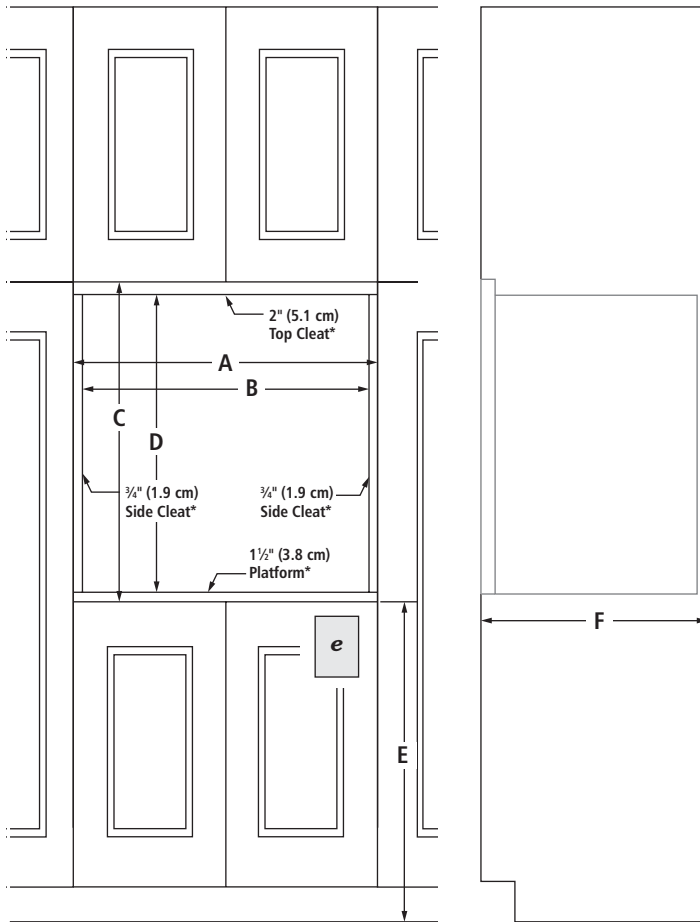


BACK VIEW

27" SINGLE WALL OVENS – FLUSH INSTALLATION

JJW2427W, JJW2327W – 26¾" x 29½" x 24¾" (depth without handle)

OPENING/CLEARANCE DIMENSIONS



FRONT VIEW

SIDE VIEW

MODEL #		JJW2427W	
		in	cm
A	Width of flush inset cutout (min.)	27	68.6
B	Width of opening (min.)	25½	64.8
C	Height of flush inset cutout (min.)	31¼	79.4
D	Height of opening (min.)	27¾	70.5
E	Bottom of cutout to floor	4⅝-32	11.7-81.3
F	Depth of cutout (min.)	25	63.5
e	Recommended junction box location		

ELECTRICAL REQUIREMENTS

240 volt, 20-amp fused, grounded circuit is required. A dedicated circuit is recommended.

The length of conduit provided is for serviceability. Do not cut the conduit. The junction box should be located 3" (7.6 cm) maximum below the support surface. Drill a 1¼" (3.4 cm) minimum diameter hole in the right rear corner of the support surface for access to the junction box.

If the junction box is on the rear wall behind the oven, it must be recessed and located in any corner of the cabinet.

NOTE: For under counter installation, the junction box should be located in the adjacent right or left cabinet. Drill a 1¼" (3.4 cm) minimum diameter hole in an upper corner of the side wall for access to the junction box.

FLUSH INSTALLATION REQUIREMENTS

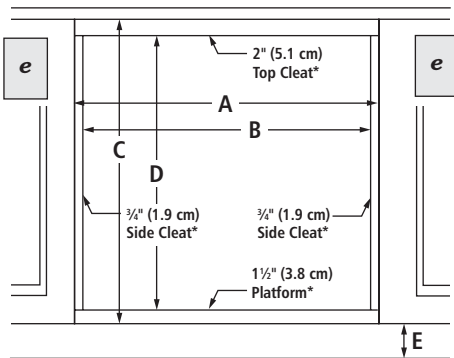
A 25" (63.5 cm) minimum cutout depth is required.

These dimensions will result in a ⅜" (1.0 cm) reveal on the top, a ⅛" (0.3 cm) reveal on the sides and a 1⅜" (3.5 cm) reveal on the bottom of the wall oven.

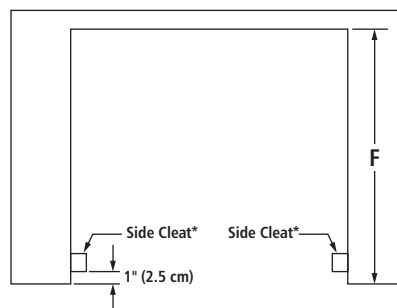
The front face of the cleats and platform will be visible and should be treated as a finished surface.

CABINET REQUIREMENTS

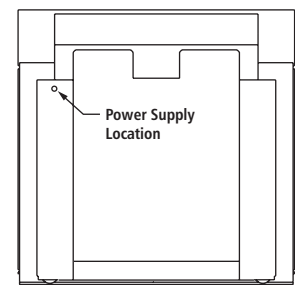
NOTE: When using under counter installation, check cabinet manufacturer's specifications to verify fit.



UNDER COUNTER INSTALLATION
(without cooktop installed above)



TOP VIEW



BACK VIEW

*Cleats and platform must be recessed 1" (2.5 cm) from the front of the cabinet.

SINGLE WALL OVEN AND COOKTOP COMBINATIONS

For the approved model number combinations, refer to the under counter label located on top of the oven chassis and on the bottom of the cooktop burner box.

APPROVED MODEL NUMBER COMBINATIONS

SINGLE WALL OVENS

30-Inch: JJW3430W, JJW2430W, JJW2330W
 27-Inch: JJW2427W, JJW2327W

INDUCTION COOKTOPS

36-Inch: JIC4536X
 30-Inch: JIC4430X

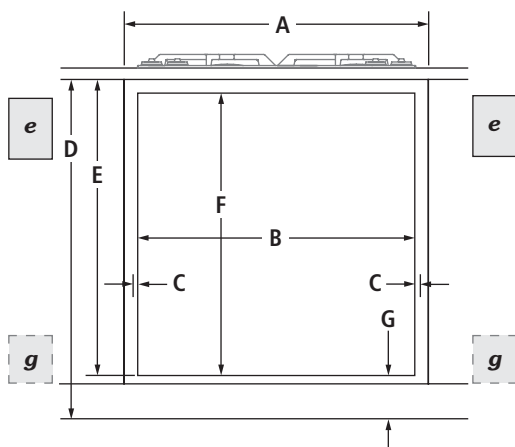
GAS COOKTOPS

36-Inch: JGC9536BD, JGC1536AD, JGC8536BD
 30-Inch: JGC9430BD, JGC1430AD, JGC8430CD

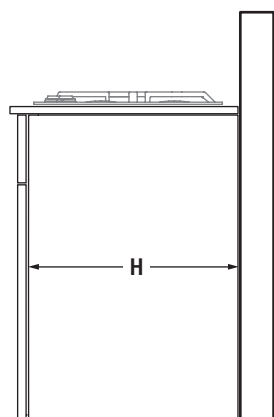
ELECTRIC COOKTOPS

36-Inch: JEC4536Y, JEC9536BD, JEC8536BD
 30-Inch: JEC4530Y, JEC9530BD, JEC8430BD

OPENING/CLEARANCE DIMENSIONS



FRONT VIEW –
 UNDER COUNTER INSTALLATION
 (with cooktop installed above)



SIDE VIEW –
 UNDER COUNTER INSTALLATION
 (with cooktop installed above)

MODEL #	JJW3430W JJW2430W JJW2330W		JJW2427W JJW2327W	
	in	cm	in	cm
A	Width of cabinet (min.)			
B	Width of cutout (recommended)			
C	Oven trim overlap			
D	Bottom of countertop to floor			
E	Bottom of countertop to bottom of cutout			
	Induction cooktop combination			
	Gas cooktop combination			
F	Height of cutout (recommended)			
	Electric cooktop combination			
G	Bottom of cutout to floor			
	Induction cooktop combination			
	Gas cooktop combination			
H	Depth of cabinet (min.)			
	Electric cooktop combination			
e	Recommended junction box location			
g	Recommended gas supply line location for gas cooktop			

NOTE: For under counter installation, the junction box should be located in the adjacent right or left cabinet. Drill a 1" (2.5 cm) minimum diameter hole in an upper corner of the side wall for access to the junction box.

CABINET REQUIREMENTS

NOTE: When using under counter installation, check cabinet manufacturer's specifications to verify fit.