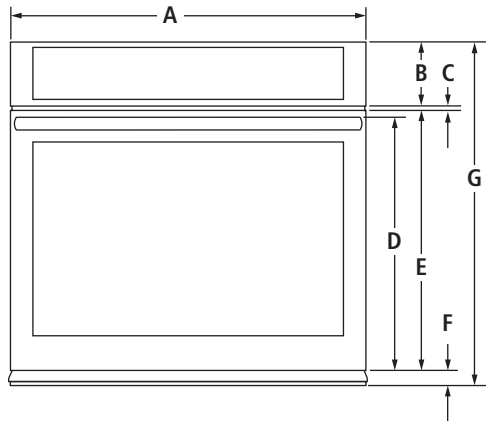


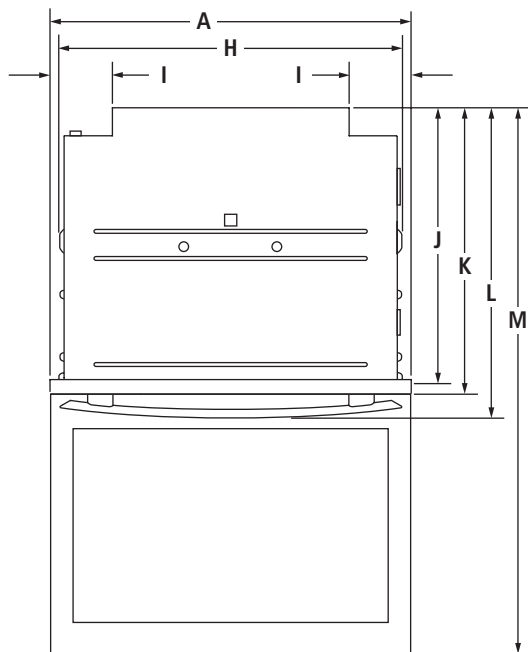
30" SINGLE WALL OVENS

JJW3430D, JJW2430D – 30" x 29<sup>7</sup>/<sub>8</sub>" x 25<sup>5</sup>/<sub>16</sub>"

PRODUCT DIMENSIONS



FRONT VIEW



TOP VIEW

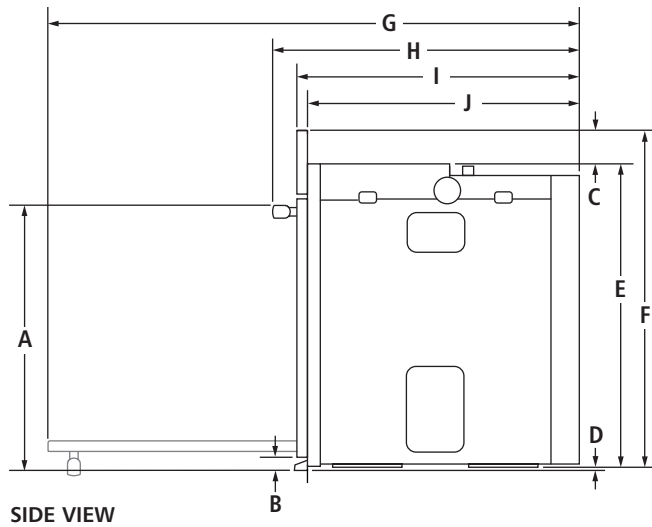
MODEL #		JJW3430D	
		JJW2430D	
		in	cm
A	Overall width Pro-Style® Stainless or Euro-Style Stainless	30	76.2
	Floating Glass	29 <sup>15</sup> / <sub>16</sub>	76.1
B	Height of control panel	5 <sup>1</sup> / <sub>2</sub>	14.0
C	Space between control panel and door	<sup>7</sup> / <sub>16</sub>	1.1
D	Height to top of handle Pro-Style® Stainless	21 <sup>11</sup> / <sub>16</sub>	55.0
	Euro-Style (color-coordinating)	21 <sup>7</sup> / <sub>16</sub>	54.4
E	Height of door	22 <sup>1</sup> / <sub>8</sub>	56.2
F	Height of trim	1 <sup>11</sup> / <sub>16</sub>	4.3
G	Overall height	29 <sup>7</sup> / <sub>8</sub>	75.8
H	Width of recessed oven	28 <sup>7</sup> / <sub>16</sub>	72.2
I	Width of conduit channel	3 <sup>5</sup> / <sub>16</sub>	8.8
J	Depth of recessed oven	23 <sup>3</sup> / <sub>8</sub>	58.7
K	Depth with door	24 <sup>5</sup> / <sub>16</sub>	61.8
L	Depth with handle Pro-Style® Stainless	26 <sup>5</sup> / <sub>16</sub>	66.9
	Euro-Style (color-coordinating)	25 <sup>5</sup> / <sub>16</sub>	64.3
M	Depth with door fully open	45 <sup>3</sup> / <sub>8</sub>	115.3

**IMPORTANT:** Dimensional specifications are provided for planning purposes only. Do not make any cutouts based on this information. Refer to the Installation Guide before selecting cabinetry, verifying electrical/gas connections, making cutouts or beginning installation. All Jenn-Air® appliances are appropriately UL, CUL or CSA approved.

30" SINGLE WALL OVENS

JJW3430D, JJW2430D – 30" x 29<sup>7</sup>/<sub>8</sub>" x 25<sup>5</sup>/<sub>16</sub>"

DIMENSIONS AS INSTALLED



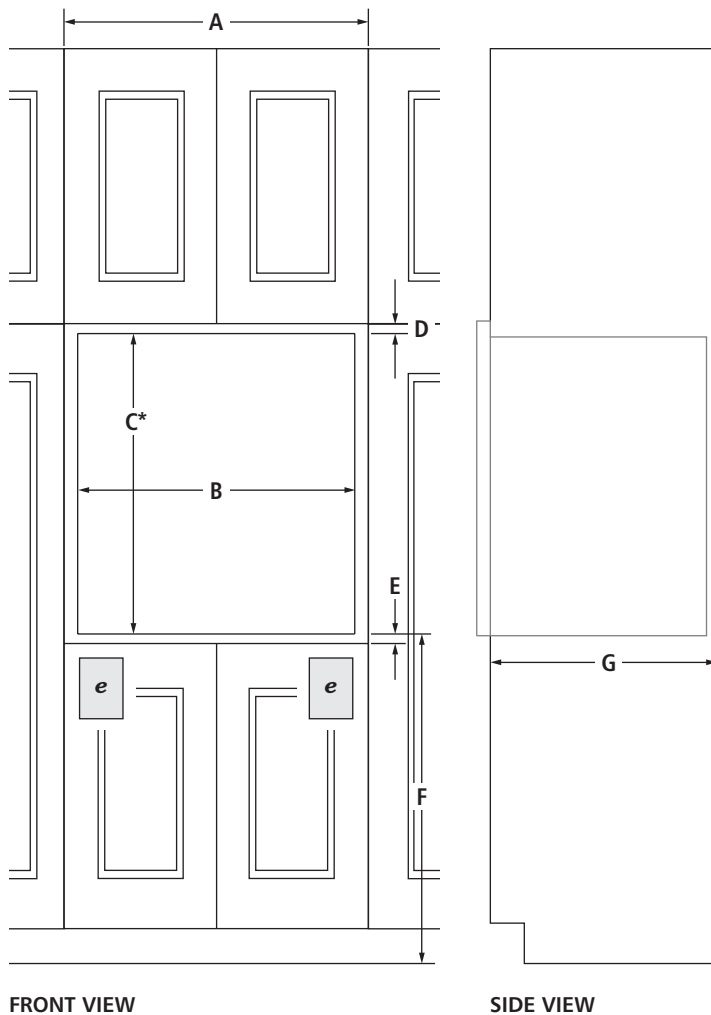
MODEL #		JJW3430D JJW2430D	
		in	cm
A	Height to top of handle Pro-Style® Stainless	22 <sup>3</sup> / <sub>4</sub>	57.8
	Euro-Style (color-coordinating)	22 <sup>9</sup> / <sub>16</sub>	57.3
B	Height of trim extending below cutout	1 <sup>1</sup> / <sub>8</sub>	2.9
C	Height from top of recessed oven to top of control panel JJW3430D	2 <sup>1</sup> / <sub>2</sub>	6.3
	JJW2430D	2 <sup>15</sup> / <sub>16</sub>	7.4
D	Height from bottom of recessed oven foot to bottom of oven vent	<sup>3</sup> / <sub>16</sub>	0.5
E	Height of recessed oven	26 <sup>3</sup> / <sub>4</sub>	67.9
F	Height to top of control panel	29 <sup>7</sup> / <sub>8</sub>	75.8
G	Depth with door fully open	45 <sup>3</sup> / <sub>8</sub>	115.3
H	Depth with handle Pro-Style® Stainless	26 <sup>5</sup> / <sub>16</sub>	66.9
	Euro-Style (color-coordinating)	25 <sup>5</sup> / <sub>16</sub>	64.3
I	Depth with door	24 <sup>5</sup> / <sub>16</sub>	61.8
J	Depth of recessed oven	23 <sup>1</sup> / <sub>16</sub>	58.6

**IMPORTANT:** Dimensional specifications are provided for planning purposes only.  
**Do not make any cutouts based on this information.** Refer to the Installation Guide *before*  
 selecting cabinetry, verifying electrical/gas connections, making cutouts or beginning installation.  
 All Jenn-Air® appliances are appropriately UL, CUL or CSA approved.

30" SINGLE WALL OVENS

JJW3430D, JJW2430D – 30" x 29<sup>7</sup>/<sub>8</sub>" x 25<sup>5</sup>/<sub>16</sub>"

OPENING/CLEARANCE DIMENSIONS



FRONT VIEW

SIDE VIEW

MODEL #	JJW3430D JJW2430D	
	in	cm
A	Width of cabinet (min.)	30 76.2
B	Width of cutout	28 <sup>1</sup> / <sub>2</sub> 72.4
C*	Height of cutout (recommended)	28 71.2
D	Top of cutout to bottom of upper cabinet door (min.)	2 <sup>3</sup> / <sub>16</sub> 5.5
E	Bottom of cutout to top of lower cabinet door (min.)	1 <sup>1</sup> / <sub>2</sub> 3.8
F	Bottom of cutout to floor	32 81.3
G	Depth of cutout (min.)	24 61.0
H	Top of countertop to bottom of cutout (min.)	30 <sup>3</sup> / <sub>16</sub> 76.7
I	Top of cutout to underside of countertop (min.)	1 <sup>1</sup> / <sub>2</sub> 3.8
J	Bottom of cutout to floor	4 <sup>5</sup> / <sub>16</sub> 11.0
e	Recommended junction box location	

\*Will fit cutout height from 26<sup>15</sup>/<sub>16</sub>" (68.4 cm) to 29<sup>7</sup>/<sub>8</sub>" (74.8 cm).

**ELECTRICAL REQUIREMENTS**

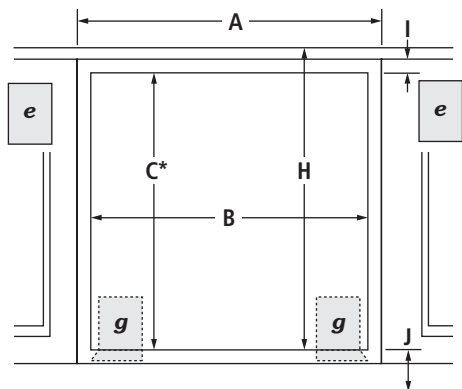
240 volt, 20-amp fused, grounded circuit is required. A dedicated circuit is required.

The length of conduit provided is for serviceability. Do not cut the conduit. The junction box should be located 3" (7.6 cm) maximum below the support surface. Drill a 1" (2.5 cm) minimum diameter hole in the right rear or left rear corner of the support surface for access to the junction box.

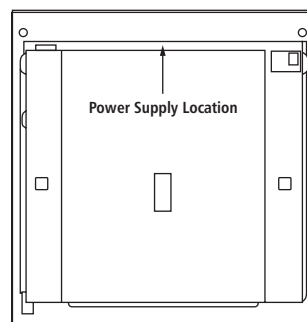
**NOTE:** For under counter installation, the junction box should be located in the adjacent right or left cabinet. Drill a 1" (2.5 cm) minimum diameter hole in an upper corner of the side wall for access to the junction box.

**CABINET REQUIREMENTS**

**NOTE:** When using under counter installation, check cabinet manufacturer's specifications to verify fit.



UNDER COUNTER INSTALLATION  
(without cooktop installed above)

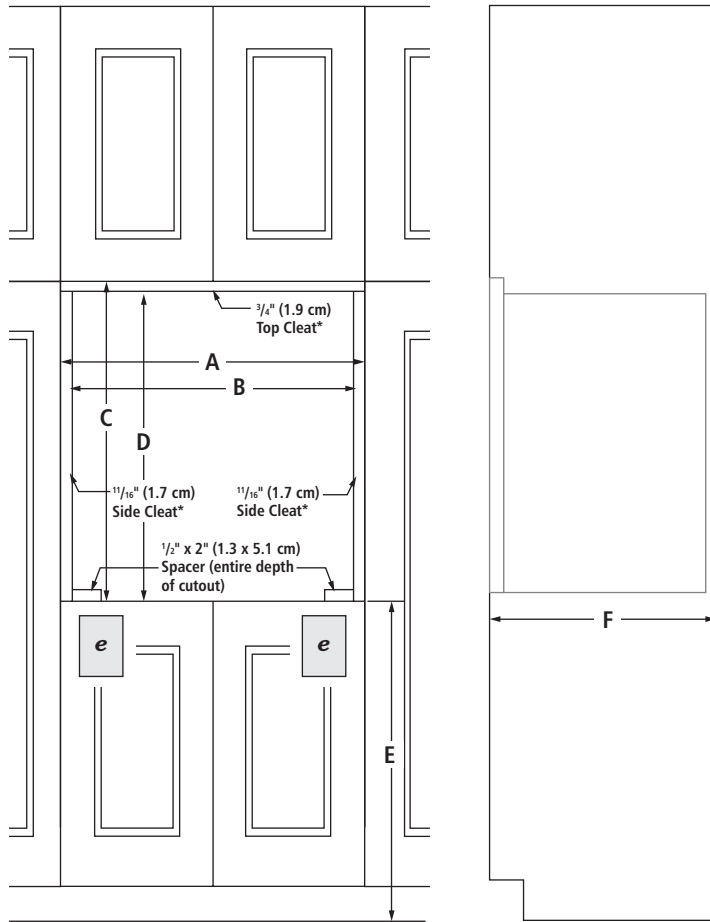


BACK VIEW

**IMPORTANT:** Dimensional specifications are provided for planning purposes only. Do not make any cutouts based on this information. Refer to the Installation Guide before selecting cabinetry, verifying electrical/gas connections, making cutouts or beginning installation. All Jenn-Air® appliances are appropriately UL, CUL or CSA approved.

30" SINGLE WALL OVENS – FLUSH INSTALLATION  
 JJW3430D, JJW2430D – 30" x 29<sup>7</sup>/<sub>8</sub>" x 24<sup>5</sup>/<sub>16</sub>" (depth without handle)

OPENING/CLEARANCE DIMENSIONS



FRONT VIEW

SIDE VIEW

MODEL #	JJW3430D JJW2430D	
	in	cm
A	Width of flush inset cutout (min.)	30 <sup>1</sup> / <sub>4</sub> 76.8
B	Width of opening (min.)	28 <sup>7</sup> / <sub>8</sub> 73.3
C	Height of flush inset cutout (min.)	30 <sup>7</sup> / <sub>16</sub> 77.3
D	Height of opening (min.)	29 <sup>11</sup> / <sub>16</sub> 75.4
E	Bottom of cutout to floor	4 <sup>5</sup> / <sub>8</sub> - 11.7- 32 81.3
F	Depth of cutout (min.)	25 63.5
G	Bottom of cutout to floor for under counter	4 <sup>1</sup> / <sub>16</sub> 10.3
e	Recommended junction box location	

**ELECTRICAL REQUIREMENTS**

240 volt, 20-amp fused, grounded circuit is required. A dedicated circuit is required.

The length of conduit provided is for serviceability. Do not cut the conduit. The junction box should be located 3" (7.6 cm) maximum below the support surface. Drill a 1" (2.5 cm) minimum diameter hole in the right rear or left rear corner of the support surface for access to the junction box.

**NOTE:** For under counter installation, the junction box should be located in the adjacent right or left cabinet. Drill a 1" (2.5 cm) minimum diameter hole in an upper corner of the side wall for access to the junction box.

**FLUSH INSTALLATION REQUIREMENTS**

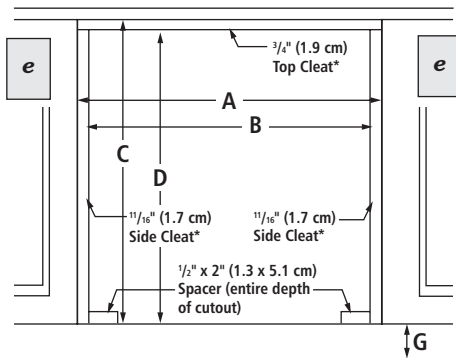
A 2<sup>5</sup>/<sub>8</sub>" (63.5 cm) minimum cutout depth is required.

These dimensions will result in a 1/4" (0.6 cm) reveal on the top, a 1/4" (0.6 cm) reveal on the sides and a 1/8" (0.3 cm) reveal on the bottom of the wall oven.

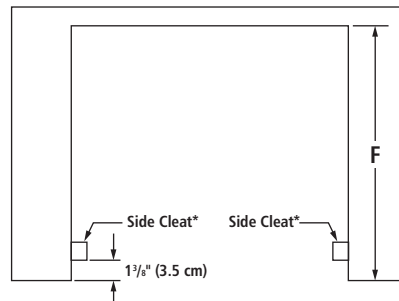
The front face of the cleats and spacers will be visible and should be treated as a finished surface.

**CABINET REQUIREMENTS**

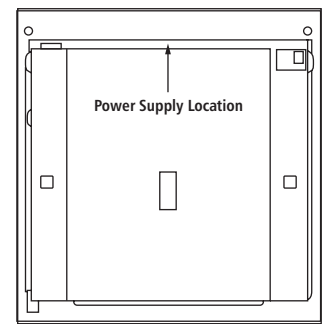
**NOTE:** When using under counter installation, check cabinet manufacturer's specifications to verify fit.



UNDER COUNTER INSTALLATION  
 (without cooktop installed above)



TOP VIEW



BACK VIEW

\* Cleats and spacers must be recessed 1<sup>3</sup>/<sub>8</sub>" (3.5 cm) from the front of the cabinet.

**IMPORTANT:** Dimensional specifications are provided for planning purposes only. Do not make any cutouts based on this information. Refer to the Installation Guide before selecting cabinetry, verifying electrical/gas connections, making cutouts or beginning installation. All Jenn-Air® appliances are appropriately UL, CUL or CSA approved.

SINGLE WALL OVEN AND COOKTOP COMBINATIONS

For the approved model number combinations, refer to the under counter label located on top of the oven chassis and on the bottom of the cooktop burner box.

APPROVED MODEL NUMBER COMBINATIONS

SINGLE WALL OVENS

30-Inch: JJW3430D, JJW2430D

27-Inch: JJW2427D

INDUCTION COOKTOPS

36-Inch: JIC4536X

30-Inch: JIC4430X

GAS COOKTOPS

36-Inch: JGC2536EB

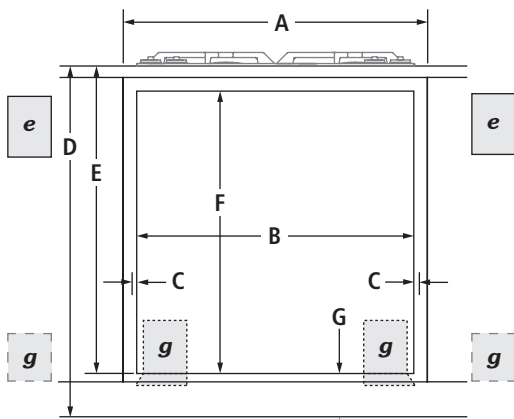
30-Inch: JGC2530EB

ELECTRIC COOKTOPS

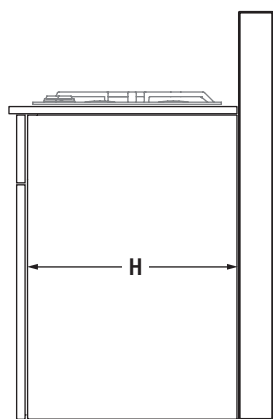
36-Inch: JEC4536B, JEC3536B

30-Inch: JEC4430B, JEC3430B

OPENING/CLEARANCE DIMENSIONS



FRONT VIEW – UNDER COUNTER INSTALLATION (with cooktop installed above)



SIDE VIEW – UNDER COUNTER INSTALLATION (with cooktop installed above)

MODEL #	JJW3430D JJW2430D		JJW2427D			
	in	cm	in	cm		
A	Width of cabinet (min.)		30	76.2	27	68.6
B	Width of cutout (recommended)		28½	72.4	25½	64.8
C	Oven trim overlap		⅝	1.6	⅝	1.6
D	Top of countertop to floor		36	91.4	36	91.4
E	Top of countertop to bottom of cutout					
	Induction cooktop combination		31⅜	79.7	31⅜	79.7
	Gas cooktop combination		31⅜	79.7	31⅜	79.7
	Electric cooktop combination		31⅜	79.7	31⅜	79.7
F	Height of cutout (recommended)		27¾	70.5	27¾	70.5
G	Bottom of cutout to floor					
	Induction cooktop combination		4⅝	11.7	4⅝	11.7
	Gas cooktop combination		4⅝	11.7	4⅝	11.7
	Electric cooktop combination		4⅝	11.7	4⅝	11.7
H	Depth of cabinet (min.)		24	61.0	24	61.0
e	Recommended junction box location					
g	Recommended gas supply line location for gas cooktop					

NOTE: For under counter installation, the junction box should be located in the adjacent right or left cabinet. Drill a 1" (2.5 cm) minimum diameter hole in an upper corner of the side wall for access to the junction box.

CABINET REQUIREMENTS

NOTE: When using under counter installation, check cabinet manufacturer's specifications to verify fit.

**IMPORTANT:** Dimensional specifications are provided for planning purposes only. Do not make any cutouts based on this information. Refer to the Installation Guide before selecting cabinetry, verifying electrical/gas connections, making cutouts or beginning installation. All Jenn-Air® appliances are appropriately UL, CUL or CSA approved.