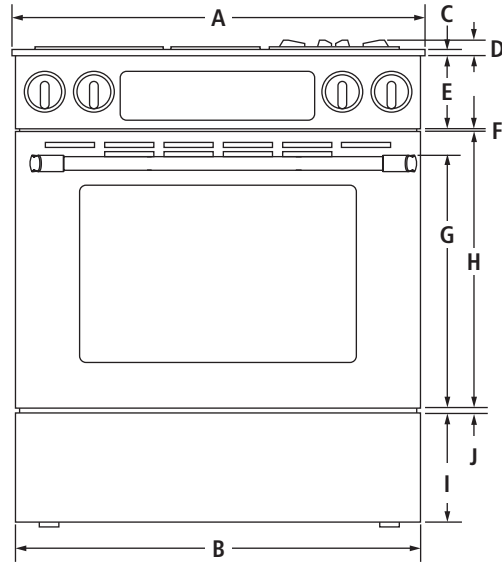


30" SLIDE-IN PRO-STYLE® MODULAR DUAL-FUEL DOWNDRAFT RANGE

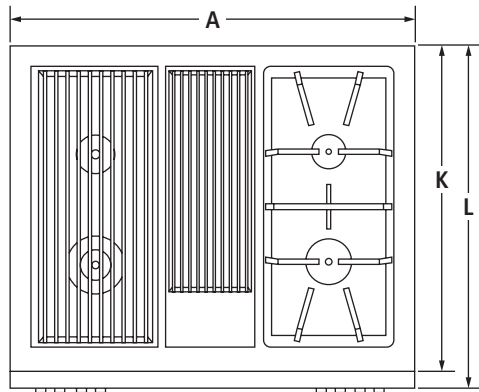
JDS9865BDP – 30<sup>3</sup>/<sub>4</sub>" x 37<sup>1</sup>/<sub>4</sub>" x 29<sup>1</sup>/<sub>8</sub>"

PRODUCT DIMENSIONS



FRONT VIEW

MODEL #		JDS9865BDP	
		in	cm
<b>A</b>	Overall width	30 <sup>3</sup> / <sub>4</sub>	78.1
<b>B</b>	Width of door/drawer	29 <sup>3</sup> / <sub>4</sub>	75.6
<b>C</b>	Height of cooking surface	<sup>3</sup> / <sub>8</sub>	1.1
<b>D</b>	Height with grates	1 <sup>1</sup> / <sub>2</sub>	3.7
<b>E</b>	Height of control panel	4 <sup>1</sup> / <sub>8</sub>	10.6
<b>F</b>	Space between door and control panel	<sup>5</sup> / <sub>8</sub>	1.5
<b>G</b>	Height to top of handle	19	48.2
<b>H</b>	Height of door	20 <sup>1</sup> / <sub>4</sub>	51.5
<b>I</b>	Height of lower panel	8 <sup>5</sup> / <sub>8</sub>	22.0
<b>J</b>	Space between door and lower panel	<sup>7</sup> / <sub>8</sub>	2.3
<b>K</b>	Depth of cooking surface	23 <sup>3</sup> / <sub>8</sub>	59.5
<b>L</b>	Depth to edge of control panel	25 <sup>1</sup> / <sub>2</sub>	64.7

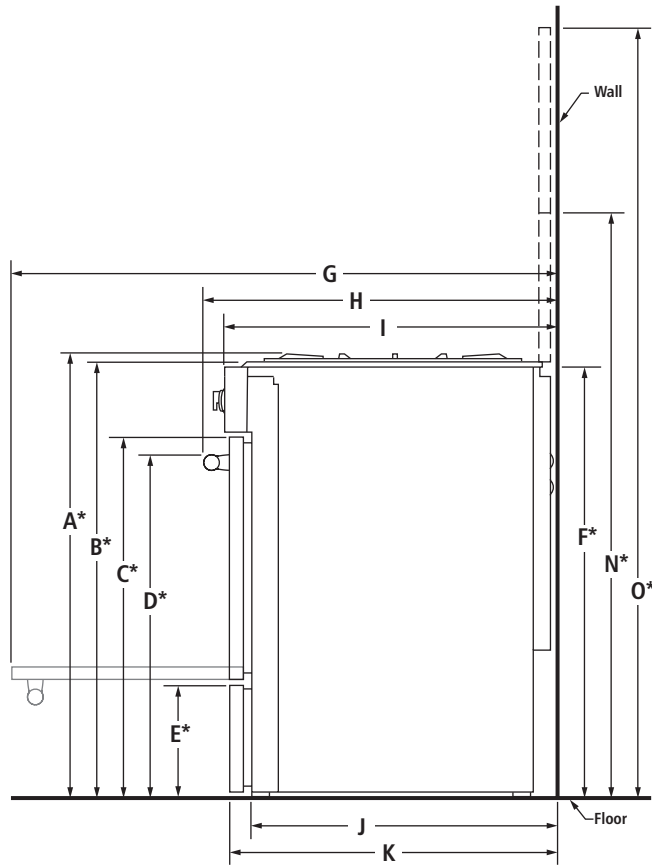


TOP VIEW

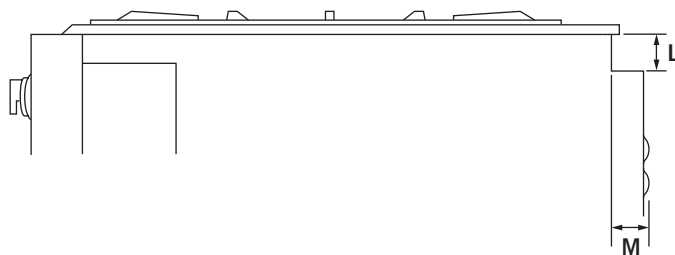
30" SLIDE-IN PRO-STYLE® MODULAR DUAL-FUEL DOWNDRAFT RANGE

JDS9865BDP – 30¾" x 37¼" x 29½"

DIMENSIONS AS INSTALLED



SIDE VIEW



DETAIL SIDE VIEW

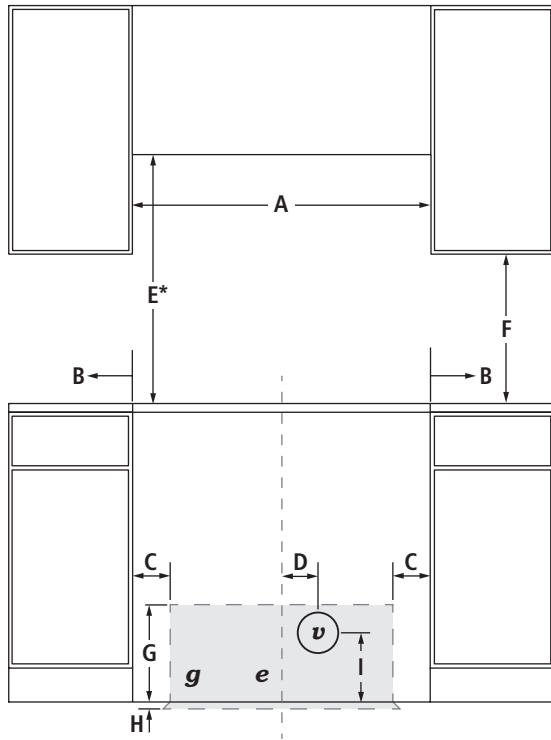
MODEL #		JDS9865BDP	
		in	cm
<b>A*</b>	Height to top of grates (min.)	37¼	94.5
<b>B*</b>	Height to top of cooking surface (min.)	36½	91.9
<b>C*</b>	Height to top of door (min.)	30⅞	78.4
<b>D*</b>	Height to top of handle (min.)	29½	74.8
<b>E*</b>	Height to top of lower panel (min.)	9⅝	24.5
<b>F*</b>	Height to top of countertop (min.)	35¾	90.8
<b>G</b>	Depth with door fully open	45¼	114.8
<b>H</b>	Depth with handle	29½	74
<b>I</b>	Depth with control panel	27	68.5
<b>J</b>	Depth without door	24¾	61.8
<b>K</b>	Depth with door	26¾	67.0
<b>L</b>	Height of countertop channel	1⅝	4.0
<b>M</b>	Depth to countertop channel	1⅝	4.0
OPTIONAL ACCESSORIES			
<b>N*</b>	Height to top of 12" stainless steel backsplash (min.)	47¾	121.3
<b>O*</b>	Height to top of 30" stainless steel backsplash (min.)	65¾	167.0

\*Add up to 1¾" (4.4 cm) to height with leg levelers fully extended.

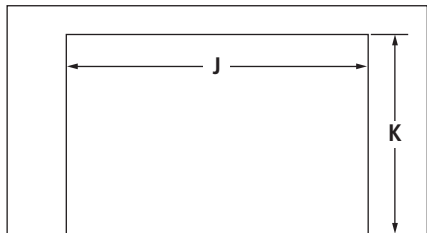
30" SLIDE-IN PRO-STYLE® MODULAR DUAL-FUEL DOWNDRAFT RANGE

JDS9865BDP – 30¾" x 37¼" x 29⅛"

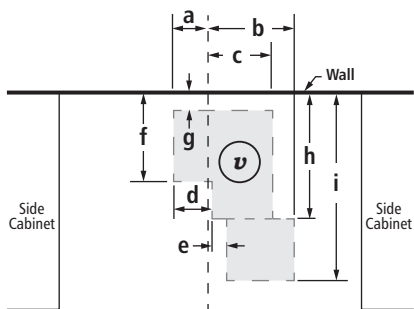
OPENING/CLEARANCE DIMENSIONS



FRONT VIEW – REAR WALL VENTING OPTION



TOP VIEW – CUTOUT



	in	cm
a	3⅛	7.9
b	8⅜	21.3
c	6⅜	16.2
d	3½	8.9
e	1½	3.8
f	9	22.8
g	2¼	5.7
h	12½	31.8
i	18¾	47.6

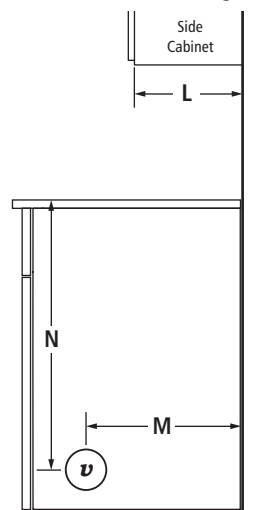
TOP VIEW – FLOOR VENTING OPTION

MODEL #	JDS9865BDP	
	in	cm
A	Width of combustable area above cooking surface (min.)	30 76.2
B	Width from cooktop to fixed wall or other combustable material (min.)	3 7.6
C	Width from electrical installation area to cabinet (min.)	5½ 14.0
D	Width to center of vent opening option (max.)	2¼ 5.7
E*	Height to bottom of uncovered wood or metal cabinet above cooking surface (min.)	30 76.2
F	Height to bottom of uncovered wood or metal cabinet (min.)	18 45.7
G	Height of electrical installation area (max.)	10 25.4
H	Depth of electrical installation area (max.)	2¼ 5.7
I	Height to center of vent opening option	8¼ 20.8
J	Width of cutout	30 76.2
K	Depth of cutout	23½ 59.7
L	Depth of upper cabinet (recommended)	13 33.0
M	Depth to center of vent opening option	18 45.7
N	Height to center of vent opening option	31⅛ 79.2
O	Width to gas inlet	4½ 11.5
P	Width to power cord	9¼ 23.5
e	Recommended junction box location	
g	Recommended gas supply line location	
v	Recommended venting location – see page 4 for ducting information	

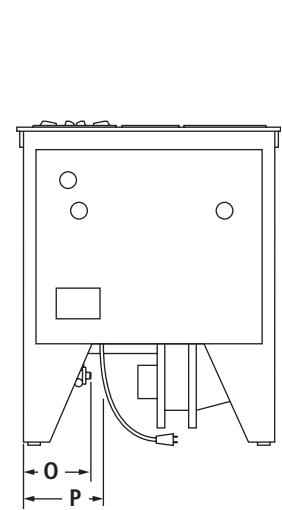
\*Dimension can be reduced by 6" (15.2 cm) when bottom of wood or metal cabinet is covered by not less than ¼" (0.6 cm) flame retardant millboard covered with not less than No. 28 MSG sheet metal, 0.015" (0.4 mm) stainless steel, 0.024" (0.6 mm) aluminum or 0.020" (0.5 mm) copper.

ELECTRICAL REQUIREMENTS

240 volt, 60 Hz, AC only, 40-amp fused, grounded circuit is required. A dedicated circuit is recommended. Minimum length of power cord is 48" (121.9 cm).



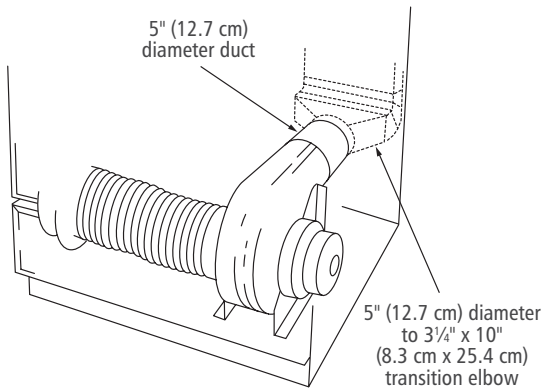
SIDE VIEW – SIDE WALL VENTING OPTION



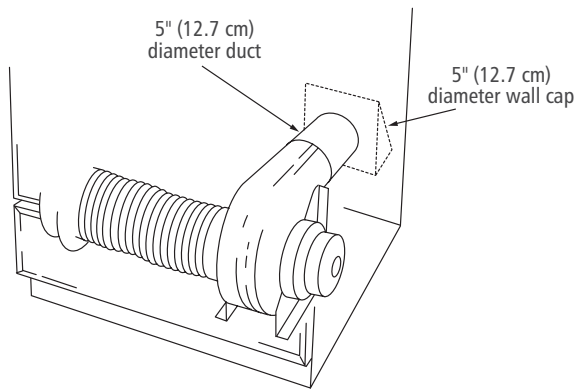
BACK VIEW

DOWNDRAFT SLIDE-IN RANGE DUCTING ARRANGEMENTS

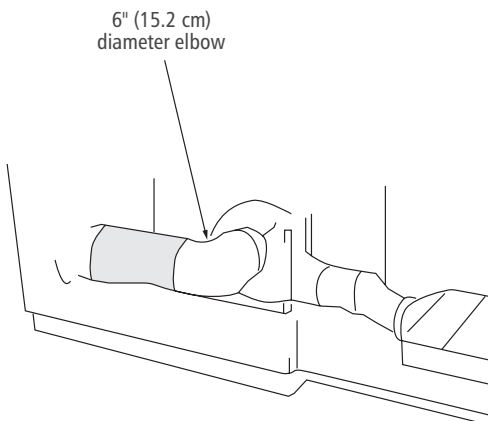
DUCTING CONFIGURATIONS



REAR DUCTING IN WALL TO ROOF



REAR DUCTING THROUGH WALL TO OUTSIDE



SIDE DUCTING IN TOE KICK TO OUTSIDE

DUCTING REQUIREMENTS

RANGE	DUCT LENGTH	DUCT SIZE
Dual Fuel, Gas	10' (3.0 m) or less*	5" (12.7 cm) diameter*
	Between 10' (3.0 m) and 60' (18.3 m)	6" (15.2 cm) diameter 3 1/4" x 10" (8.3 cm x 25.4 cm)
Electric	10' (3.0 m) or less**	5" (12.7 cm) diameter**
	Between 10' (3.0 m) and 60' (18.3 m)	6" (15.2 cm) diameter 3 1/4" x 10" (8.3 cm x 25.4 cm)

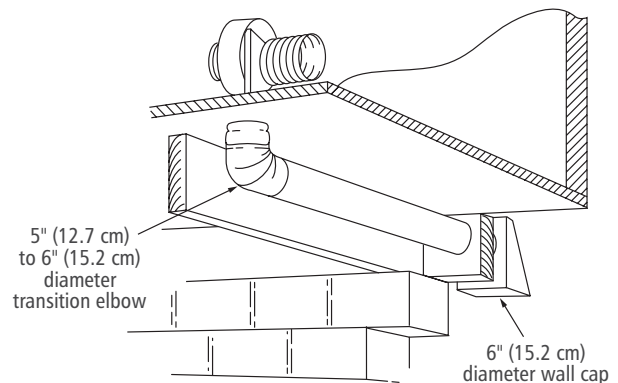
\*Dual fuel ranges must use 5" (12.7 cm) diameter for runs of 10' (3.0 m) or less.  
\*\*May be used to vent straight out the back of the range and directly through the wall.

CALCULATING MAXIMUM DUCTING LENGTH

- Maximum ducting length is 60' (18.3 m).
- Each 90° elbow equals 5' (1.5 m) duct.
- Use no more than three 90° elbows.
- Flexible metal vent is not recommended.
- Do not install two elbows together.

NOTES:

- For ducting runs up to 30' (9.1 m), install range as shipped.
- For ducting runs of 31' (9.4 m) to 60' (18.3 m), remove the restrictor ring on the blower inlet housing.
- For altitudes above 4500' (1272.0 m), reduce recommended vent run by 20% for best performance.



THROUGH FLOOR BETWEEN JOISTS TO OUTSIDE