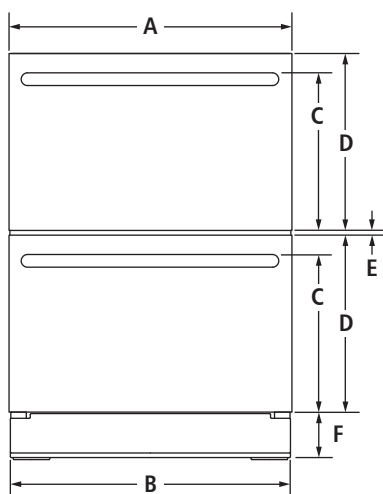


UNDER COUNTER DOUBLE-REFRIGERATOR DRAWERS

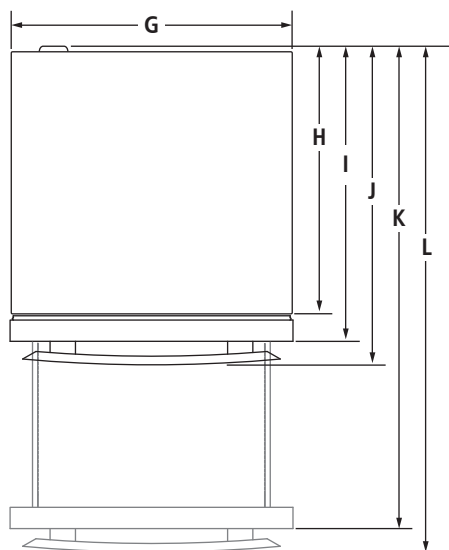
JUD24FRAR – 23⁷/₈" x 34¹/₈" x 23⁷/₈"

JUD24FRAC – 23⁷/₈" x 34¹/₈" x 23⁷/₈"

PRODUCT DIMENSIONS



FRONT VIEW



TOP VIEW

MODEL #		JUD24FRAR	
		JUD24FRAC	
		in	cm
A	Width of each drawer	23 ⁷ / ₈	60.6
B	Width of grille	23 ¹ / ₂	59.8
C	Height to top of each handle Pro-Style® Stainless*	13	33.1
	Euro-Style Stainless	12 ³ / ₄	32.5
	Custom panel	**	**
D	Height of each drawer	15	38.0
E	Space between drawers	1/4	0.6
F	Height of grille	3 ³ / ₄	9.4
G	Width of recessed refrigerator	23 ⁷ / ₈	60.6
H	Depth without drawers	21 ⁵ / ₈	55.0
I [†]	Depth with drawers	23 ⁷ / ₈	60.7
J	Depth with handles Pro-Style® Stainless*	26 ¹ / ₂	67.4
	Euro-Style Stainless	26	66.0
	Custom panel	**	**
K [†]	Depth with drawers fully open excluding handles	41 ¹ / ₂	105.5
L	Depth with drawers fully open including handles Pro-Style® Stainless*	44 ¹ / ₈	112.2
	Euro-Style Stainless	43 ⁵ / ₈	110.8
	Custom panel	**	**

*Requires 2 optional Pro-Style® Stainless handle kits – W10588599. Each kit includes one Pro-Style® badge and one handle.

**For custom panel models, this depends on handle chosen.

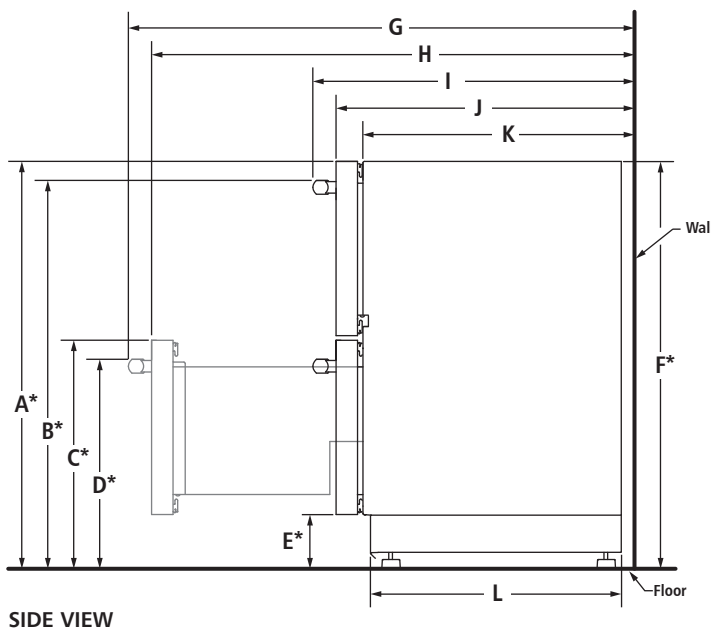
[†]Includes recommended 3/4" (1.9 cm) custom panel thickness (JUD24FRAC).

UNDER COUNTER DOUBLE-REFRIGERATOR DRAWERS

JUD24FRAR – 23⁷/₈" x 34¹/₈" x 23⁷/₈"

JUD24FRAC – 23⁷/₈" x 34¹/₈" x 23⁷/₈"

DIMENSIONS AS INSTALLED



MODEL #		JUD24FRAR	
		JUD24FRAC	
		in	cm
A*	Height to top of upper drawer (min.)	34 ⁷ / ₈	86.8
B*	Height to top of upper drawer handle (min.)	31 ¹ / ₂	80.0
C*	Height to top of lower drawer (min.)	19	48.2
D*	Height to top of lower drawer handle (min.)	16 ¹ / ₄	41.4
E*	Height to top of grille (min.)	4	10.2
F*	Height of recessed refrigerator (min.)	34 ⁷ / ₈	86.8
G	Depth with drawers fully open including handles (min.)	Pro-Style® Stainless**	44 ¹ / ₈ 112.2
		Euro-Style Stainless	43 ⁵ / ₈ 110.8
		Custom panel	† †
H†	Depth with drawers fully open excluding handles (min.)	41 ¹ / ₂	105.5
I	Depth with handles (min.)	Pro-Style® Stainless**	26 ¹ / ₂ 67.4
		Euro-Style Stainless	26 66.0
		Custom panel	† †
J†	Depth with drawers (min.)	23 ⁷ / ₈	60.7
K	Depth without drawers (min.)	21 ⁵ / ₈	55.0
L	Depth of grille (min.)	20 ³ / ₄	52.7

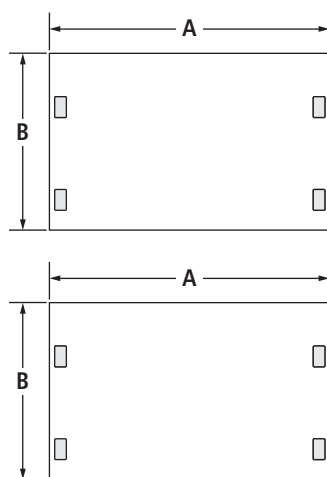
*Add 3/8" (1.6 cm) to the height dimension when leveling legs are fully extended.

**Requires 2 optional Pro-Style® Stainless handle kits – W10588599. Each kit includes one Pro-Style® badge and one handle.

†For custom panel models, this depends on handle chosen.

†Includes recommended 3/4" (1.9 cm) custom panel thickness (JUD24FRAC).

PANEL DIMENSIONS



MODEL #		JUD24FRAC	
		in	cm
A	Overall width of panel	23 ⁵ / ₈	60.0
B	Overall height of panel	14 ⁷ / ₈	37.8

CUSTOM PANEL REQUIREMENTS

- Weight (max.): 10 lb (4.5 kg) each panel
- Thickness: 3/4" (1.9 cm) each panel

IMPORTANT: Do not exceed 14⁷/₈" (37.8 cm) panel height dimension as this may damage the refrigerator drawers, cabinets or countertop.

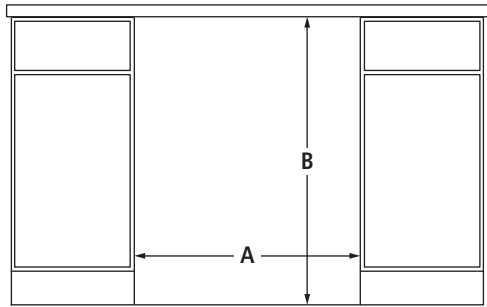
NOTE: Refer to the product Use & Care Guide for complete custom overlay dimensions and installation instructions.

UNDER COUNTER DOUBLE-REFRIGERATOR DRAWERS

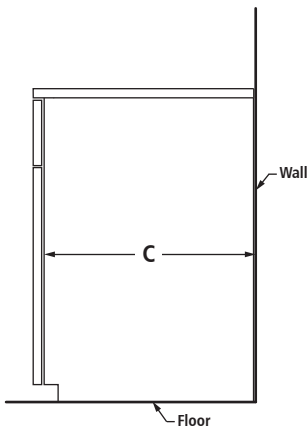
JUD24FRAR – 23⁷/₈" x 34¹/₈" x 23⁷/₈"

JUD24FRAC – 23⁷/₈" x 34¹/₈" x 23⁷/₈"

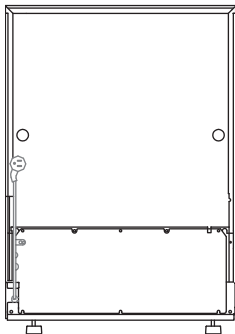
OPENING/CLEARANCE DIMENSIONS



FRONT VIEW



SIDE VIEW



BACK VIEW

MODEL #		JUD24FRAR	
		JUD24FRAC	
		in	cm
A	Width (min.)	24	61.0
B	Height (min.)	34 ³ / ₈	87.3
C	Depth (min.)	24	61.0

ELECTRICAL REQUIREMENTS

115 volt, 60 Hz, AC only, 15- or 20-amp fused, grounded circuit is required. A dedicated circuit is recommended. Use an outlet that cannot be turned off by a switch. Minimum length of the power cord is 63" (160.0 cm). Do not use an extension cord.