

KitchenAid® Single Drawer Dishwasher

HOME APPLIANCES

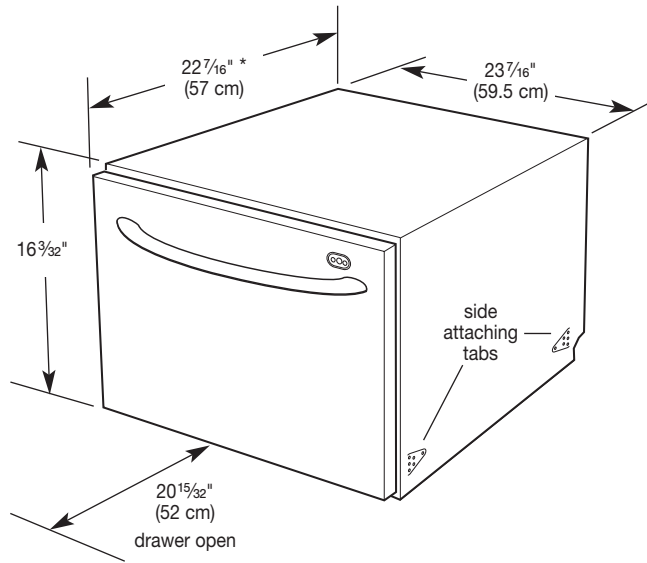
PRODUCT MODEL SERIES

KUDD01SS

Electrical: 120-volt, 60 Hz, AC-only, 15 or 20 amp fused electrical supply is required. A time-delay fuse or circuit breaker and separate circuit is recommended.

Water: A hot water line with 4.3-145 psi (30-1000 kPa) water pressure. Water temperature must be minimum 120°F (49°C) at dishwasher. An easily accessible valve with $\frac{3}{8}$ " compression fitting must be installed in the hot water supply line.

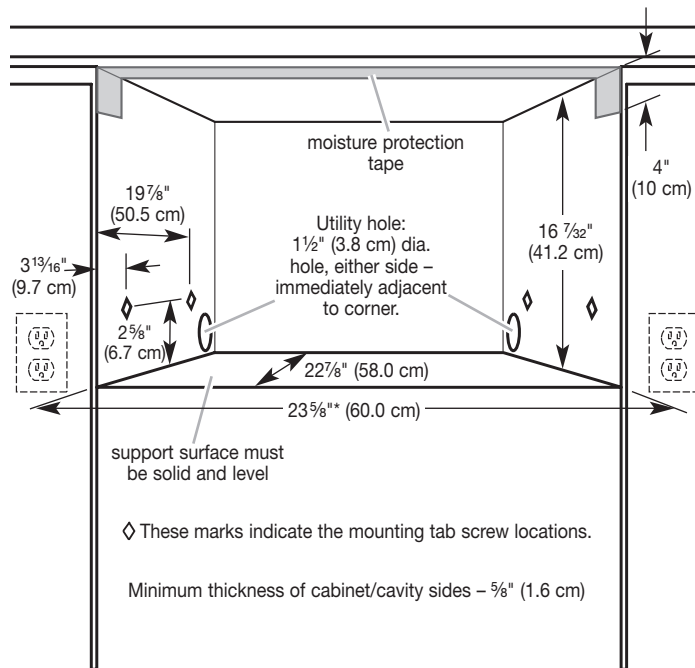
OVERALL DIMENSIONS



* If custom wood panels are to be used, the product depth is specified with an $\frac{1}{16}$ " (18 mm) door panel thickness.

NOTE: Product shown with front panels for dimension purposes.

CABINET DIMENSIONS



Install the dishwasher in a cabinet cutout that is level, will hold weight up to 104lbs. (47kg), and is in an area suitable for its size and use.

KitchenAid® Single Drawer Dishwasher Custom Cabinet Requirements

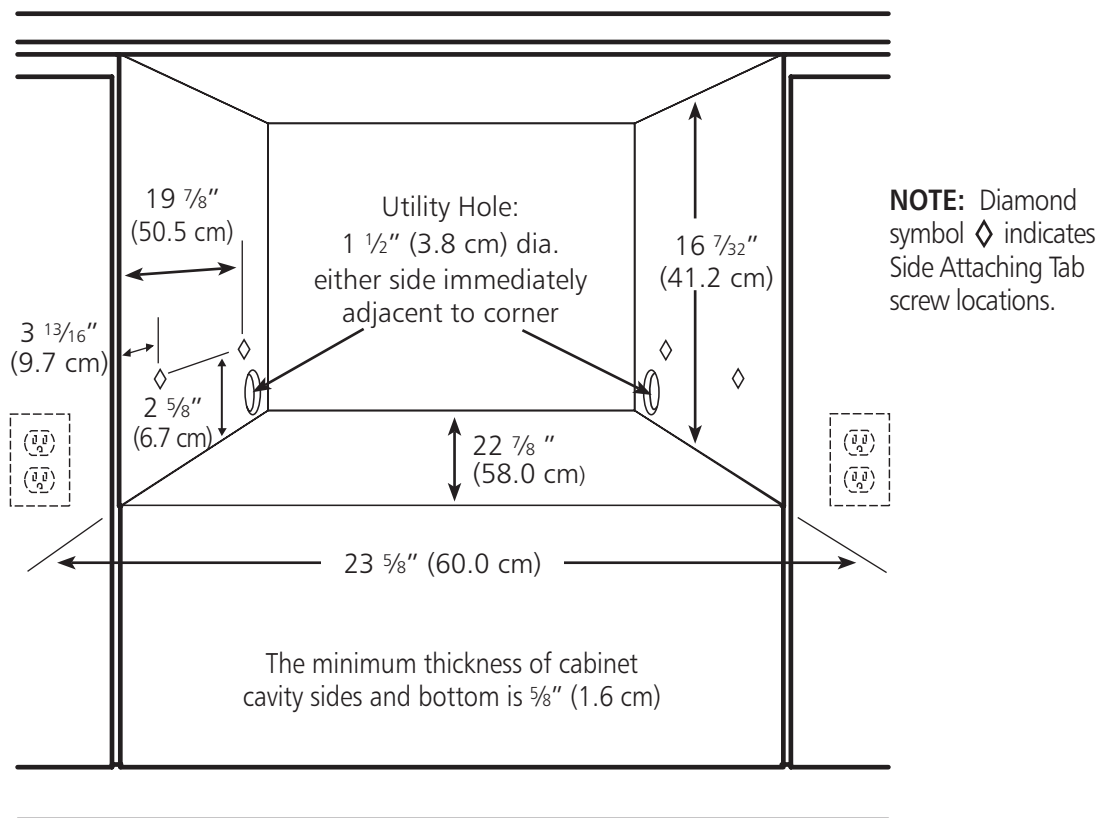


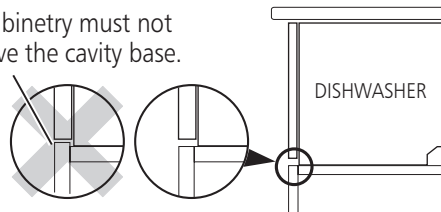
FIGURE 2

IMPORTANT: For best results, carefully read the following instructions and recommendations before building the custom cabinet.

- Build the custom cabinet to the size and specifications as shown (See figure 2).
- The minimum thickness of cabinet/cavity sides is 5/8" (1.6 cm).
- The supporting base of the cabinet must be solid, level, and able to sustain weight up to 104 lbs. (47 kg).
- For best installation, the use of all four Side Attaching Tabs is recommended. Wood spacers may need to be added to the sides of the cabinet in order to properly secure the dishwasher to the cabinet.
- A utility hole, that will be used to route power supply cord and hoses, must be located as shown (See figure 2). The utility hole can be located on either side depending on the location of services. If the utility hole is not located as shown, the hoses will prevent the dishwasher from being pushed back all the way into the cavity. Make sure the edges of the utility hole are smooth or covered to prevent damage to the power cord and hoses. If the utility hole is through a metal cabinet, the hole must be protected with an edge protector.

- A 3-prong grounded outlet must be installed within 6" (15.2 cm) to 18" (45.7 cm) to either side of the utility hole in the cabinet sidewall. The power outlet must be accessible after installation.
- When installing a custom wood front door panel to the dishwasher, the cabinet width of 23 5/8" (60.0 cm) must be increased to allow 3/32" (2.5 mm) clearance between the cabinet side and custom panel edge (See figure 2).
- For corner installation, there must be a 1/2" (12.7 mm) space between the adjacent cabinet doors (i.e. door knobs) and open dishwasher drawer.

Adjacent cabinetry must not extend above the cavity base.



- It is recommended that wood cabinetry surrounding the dishwasher be sealed with an oil-based paint or moisture-proof polyurethane to prevent possible damage from humidity.
- Refer to the *Installation Instructions Single Drawer Dishwasher* included with the Drawer Dishwasher to complete installation.

KitchenAid® Single Drawer Dishwasher Custom Door Panel Requirements

MODEL: KUDD01SSPA

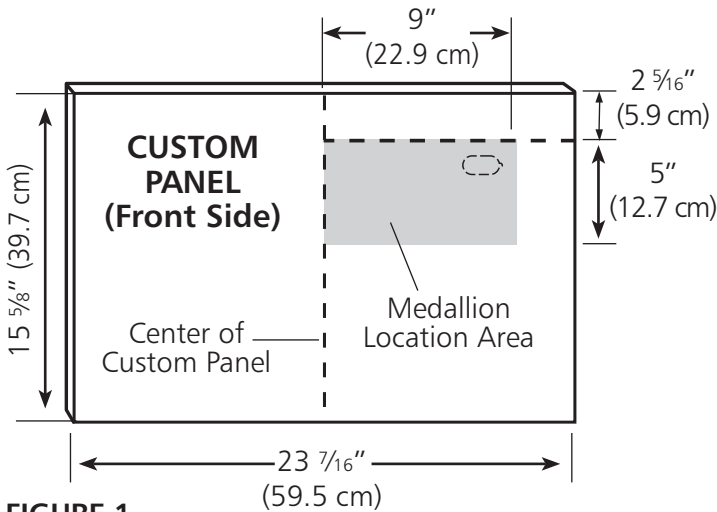


FIGURE 1

MEDALLION CUTOUT DIMENSIONS

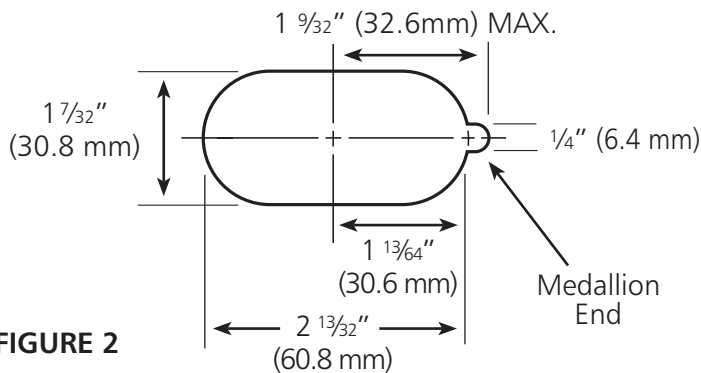


FIGURE 2

IMPORTANT: It is recommended that the custom door panel be made from suitable material to withstand damp conditions or adequately sealed with a moisture-resistant material to withstand moisture and humidity.

- 1) Cut the custom door panel to size as shown (See figure 1). The custom panel may be wider than the dishwasher in order to match the surrounding cabinets.

NOTE: The minimum custom panel thickness is 5/8" (16mm). Panel thickness more than 1 1/16" (18mm) can be accommodated but overall product depth will increase accordingly.

- 2) On the front side of the custom door panel, measure and mark the location of the customer supplied handle. The location is customer preference. Do not install handle at this time.

- 3) On the front side of the custom door panel, measure, mark and cut a hole for the medallion to size as shown (See figures 1 & 2).

NOTE: The medallion must be placed within the specified medallion area. Do not locate outside of this specified area (See figure 1).

- 4) Lay the custom door panel face down on a protective surface to prevent damage or abrasions.
- 5) On the backside of the custom door panel, rout a 1/4" (6.4 mm) radius around the medallion cutout previously cut in step #3. The medallion end does not need to be routed.
- 6) If custom door panel material is not suitable to withstand damp conditions, seal with a moisture resistant material. For painted panel, paint all rear edges to improve sealing.

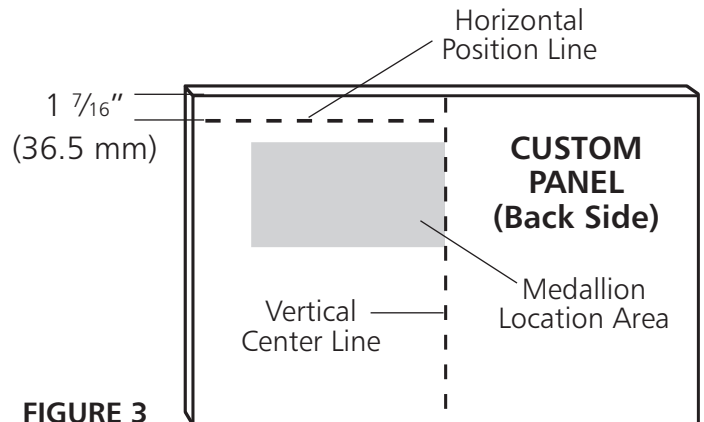


FIGURE 3

- 7) On the backside of the custom door panel, measure and mark the vertical center line and horizontal position line (See figure 3).

NOTE: The 1 7/16" (36.5 mm) horizontal position line is marked for later use in the installation process. Refer to the *Installation Instructions Single Drawer Dishwasher* included with the Drawer Dishwasher to align and attach the custom door panel to the factory supplied metal plate.

- 8) Mount the customer supplied handle to the location previously marked on the custom panel.

IMPORTANT: When mounting the customer supplied handle, screws must fit flush to the panel and not extend beyond the back surface.

- 9) Refer to the *Installation Instructions Single Drawer Dishwasher* included with the Drawer Dishwasher to complete installation.