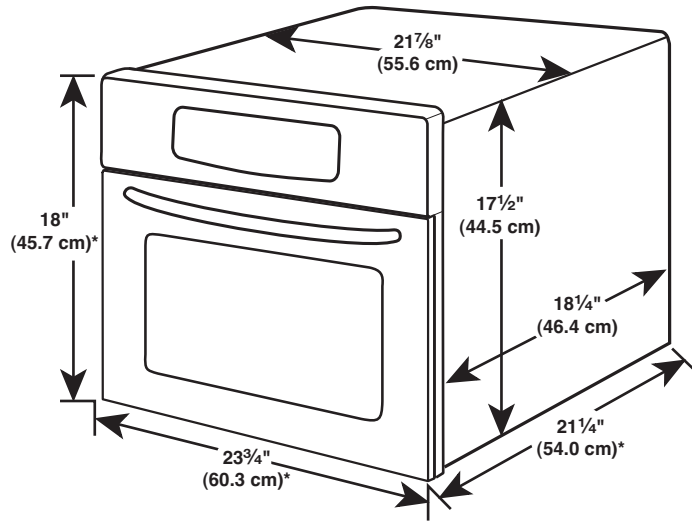


**PRODUCT MODEL SERIES**

KBMS1454S

**Electrical:** 120 volt, 60 Hz, AC only, 15- or 20-amp fused electrical supply. A time-delay fuse or circuit breaker and separate circuit is recommended.

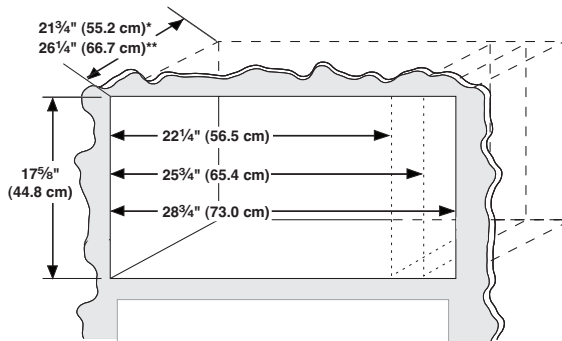
**OVERALL DIMENSIONS**



\*Measurements include front facing of microwave oven. Depth measurement also includes door handle.

**Minimum Cutout Dimensions**

**Front View**

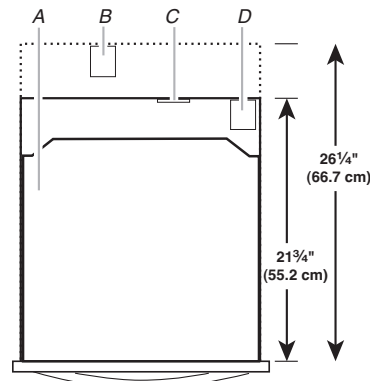


\*With flush receptacle, or with non-flush receptacle located in upper right or upper left corner of cutout.

**NOTE:** Depth dimension may be 21 1/4" (55.2 cm) with non-flush receptacle only if the receptacle is located in upper right or upper left corner. See "Cutout Top View."

\*\*With non-flush receptacle.

**Top View**



- A. Microwave oven
- B. Non-flush receptacle
- C. Flush receptacle
- D. Non-flush receptacle located in upper right or upper left corner

DIM.	24" (61.0 CM) INSTALLATION	27" (68.6 CM) INSTALLATION	30" (76.2 CM) INSTALLATION
Width	22 1/4" (56.5 cm) ± 3/16" (4.8 mm)	25 3/4" (65.4 cm) ± 3/16" (4.8 mm)	Min. 25 3/4" (65.4 cm) Max. 28 3/4" (73.0 cm)
Height	17 7/8" (44.8 cm) for all installations		
Depth	21 1/4" (55.2 cm) with flush receptacle, or with non-flush receptacle located in far corner; 26 1/4" (66.7 cm) with non-flush receptacle		