



Coffee Maker/ Cafetière /Cafetera  
KCM1203, KCM1402

INSTRUCTIONS/INSTRUCTIONS/INSTRUCCIONES



**W10474602B**

**U.S.A.: 1-800-541-6390**

**Canada: 1-800-807-6777**

FOR THE WAY IT'S MADE.®

**KitchenAid.com**

**KitchenAid.ca**

# Table of Contents

---

Coffee Maker Safety .....	3
Electrical Requirements .....	4
Coffee Maker Parts .....	5
Coffee Maker Features .....	6
Display And Control Pad Features .....	7
Coffee Brewing Suggestions: Advice For Great Taste .....	8
Preparing Your Coffee Maker For Use .....	8
Kitchenaid® Coffee Maker Use .....	10
Coffee Maker Enhanced Features .....	12
Pause And Pour Feature .....	12
Automatic Brew Timer .....	12
Using the Preprogrammed Automatic Brew Time Again .....	13
Brew Strength .....	13
Variable Warmth Control/Selectable Automatic Shutoff .....	13
Coffee Maker Care .....	14
Troubleshooting .....	15
Proof of Purchase and Product Registration.....	15
Warranty .....	16

# Coffee Maker Safety

## Your safety and the safety of others are very important.

We have provided many important safety messages in this manual and on your appliance. Always read and obey all safety messages.



This is the safety alert symbol.

This symbol alerts you to potential hazards that can kill or hurt you and others.

All safety messages will follow the safety alert symbol and either the word "DANGER" or "WARNING." These words mean:

**! DANGER**

**You can be killed or seriously injured if you don't immediately follow instructions.**

**! WARNING**

**You can be killed or seriously injured if you don't follow instructions.**

All safety messages will tell you what the potential hazard is, tell you how to reduce the chance of injury, and tell you what can happen if the instructions are not followed.



## IMPORTANT SAFEGUARDS

When using electrical appliances, basic safety precautions should always be followed, including the following:

1. Read all instructions.
2. Do not touch hot surfaces. Use handles or knobs.
3. To protect against electrical shock, do not immerse cord, plugs, or coffee maker in water or other liquid.
4. Close supervision is necessary when any appliance is used by or near children.
5. Unplug coffee maker from outlet when not in use and before cleaning. Allow to cool before putting on or taking off parts.
6. Do not operate any appliance with a damaged cord or plug or after the appliance malfunctions or has been damaged in any manner. Return appliance to the nearest Authorized Service Facility for examination, repair or adjustment.
7. The use of accessory attachments not recommended by the appliance manufacturer may cause injuries.
8. Do not use outdoors.
9. Do not let cord hang over edge of table or counter, or touch hot surfaces.
10. Do not place on or near a hot gas or electric burner, or in a heated oven.
11. Do not use appliance for other than intended use.

12. Do not use appliance without lid properly placed on container (carafe).
13. The container (carafe) is designed for use with this appliance. It must never be used on a range top or in a microwave oven.
14. Do not set a hot container (carafe) on a wet or cold surface.
15. Do not use a cracked container (carafe) or a container having a loose or weakened handle.
16. Do not clean container with abrasive cleaners, steel wool pads, or other abrasive material.
17. This product is designed for household use only.

# SAVE THESE INSTRUCTIONS

## Electrical Requirements

### **! WARNING**



#### **Electrical Shock Hazard**

**Plug into a grounded 3 prong outlet.**

**Do not remove ground prong.**

**Do not use an adapter.**

**Do not use an extension cord.**

**Failure to follow these instructions can result in death, fire, or electrical shock.**

Do not use an extension cord. If the power supply cord is too short, have a qualified electrician or serviceman install an outlet near the appliance.

A short power supply cord (or detachable power supply cord) should be used to reduce the risk resulting from becoming entangled in or tripping over a longer cord.

If a longer detachable power supply cord or extension cord is used:

- The marked electrical rating of the cord set or extension cord should be at least as great as the electrical rating of the appliance.
- The cord should be arranged so that it will not drape over the countertop or tabletop where it can be pulled on by children or tripped over unintentionally.

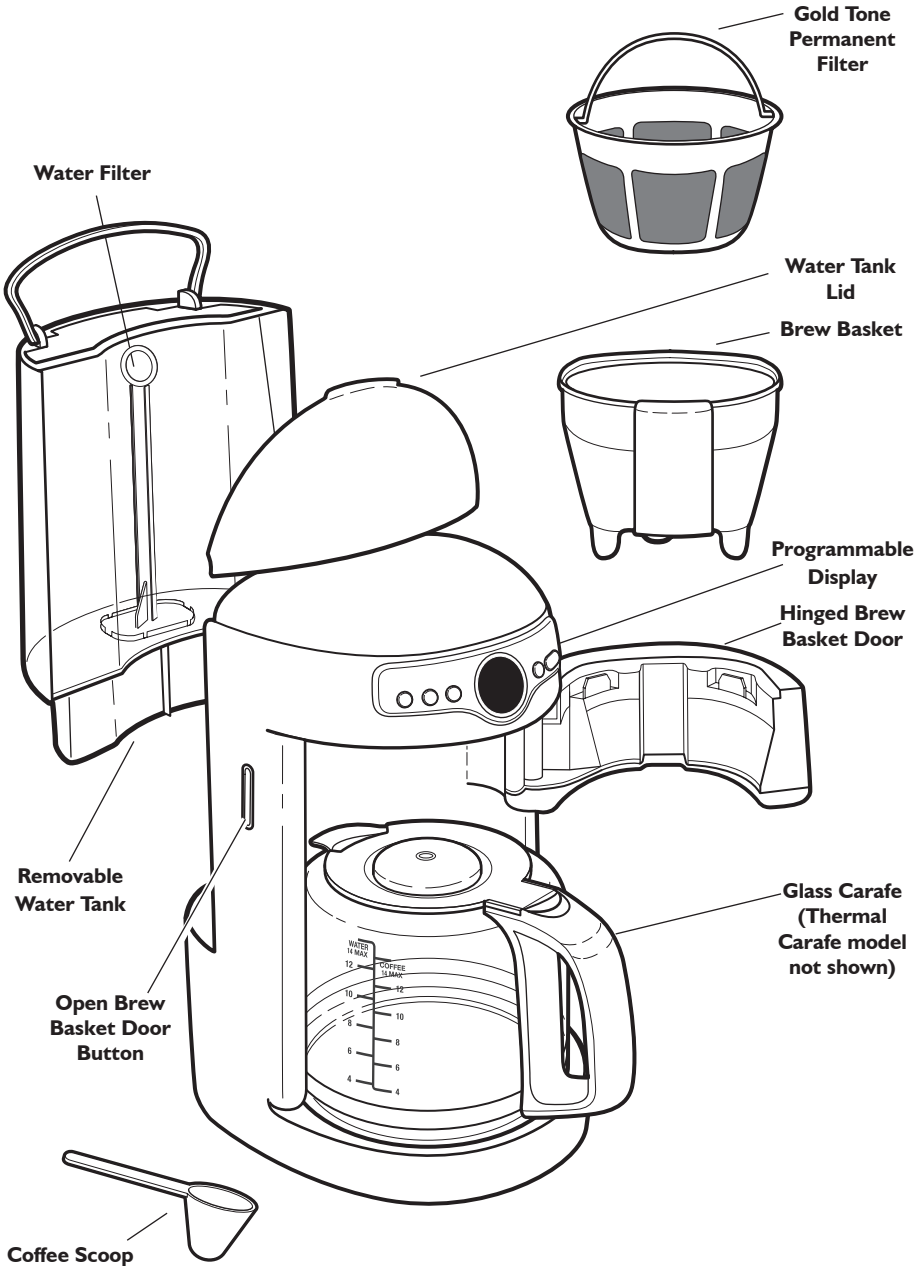
If the appliance is of the grounded type, the extension cord should be a grounding-type 3-wire cord.

Volts: 120 Volts AC only

Hertz: 60 Hz

**NOTE:** This coffee maker has a 3-prong grounded plug. To reduce the risk of electrical shock, this plug will fit in an outlet only one way. If the plug does not fit in the outlet, contact a qualified electrician. Do not modify the plug in any way.

# Coffee Maker Parts



# Coffee Maker Features

---

## **1-4 Cup Feature**

This feature ensures optimum flavor even when you're not brewing a full pot.

## **Clean Alert and Clean Feature**

The Clean Alert indicator reminds you when the coffee maker needs to be cleaned. The Clean Mode can then be activated to descale your coffee maker.

## **Pause and Pour Feature**

Pause and pour lets you remove the carafe and pour a cup of coffee before brewing is finished. A special valve seals the brew basket tightly, eliminating most drips.

## **End-Of-Brewing Tone**

A tone sounds when coffee is finished brewing.

## **Selectable Automatic Shutoff**

This feature allows you to select automatic shutoff times from 0.5-4 hours in 30-minute increments.

## **Brew Basket Door**

Access the removable brew basket by pressing the button on the side of the coffee maker. The spring loaded door includes a latch to assure the door is closed completely.

## **Brew Basket**

The brew basket holds paper coffee filters or the Gold Tone permanent filter. The brew basket can be washed in the top rack of a dishwasher.

## **Removable Water Tank**

The coffee maker features a convenient removable water tank with water level indicators. Remove the tank and add water directly to the water tank or lift the lid to add water. It is recommended that the tank be hand washed.

## **Automatic Brew Timer**

An easy to set 24 hour brew timer will brew coffee at the selected time, day or night.

## **Variable Warmth Control (on glass carafe models only)**

Allows you to select High, Medium, or Low settings for the carafe heating plate. The Variable Warmth Control is programmable from 0.5-4 hours in

30-minute increments. After the brew process is complete, the time since brewed will be displayed in 1-minute increments.

## **Glass or Thermal Carafe**

The 14-cup glass and 12-cup thermal carafes feature a dripless pouring spout and comfortable soft grip handle. Both carafes can be washed in the top rack of a dishwasher.

## **Gold Tone Permanent Filter**

The high-performance Gold Tone filter eliminates the need for paper coffee filters. Coffee maker can also use paper filters, if desired. The Gold Tone Filter can be washed in the top rack of a dishwasher.

## **Water Filter**

The replaceable carbon filter can be found at your local retailer or on [www.KitchenAid.com](http://www.KitchenAid.com).

## **Coffee Scoop**

Use one level scoop of ground coffee for each cup desired.

## **Power Interrupt**

If the power is interrupted for less than 1 minute, the coffee maker will remember the preprogrammed settings.

## **Clock Display**

Displays the time of day with AM and PM indicators. The energy saving sleep mode feature dims the clock display when the coffee maker is not in use.

## **Variable Brew Strength Selector**

Allows you to select between REG and BOLD brew strengths.

## **Full-Length Cord Storage (not shown)**

Compartment in the back of the coffee maker keeps excess cord out of the way.

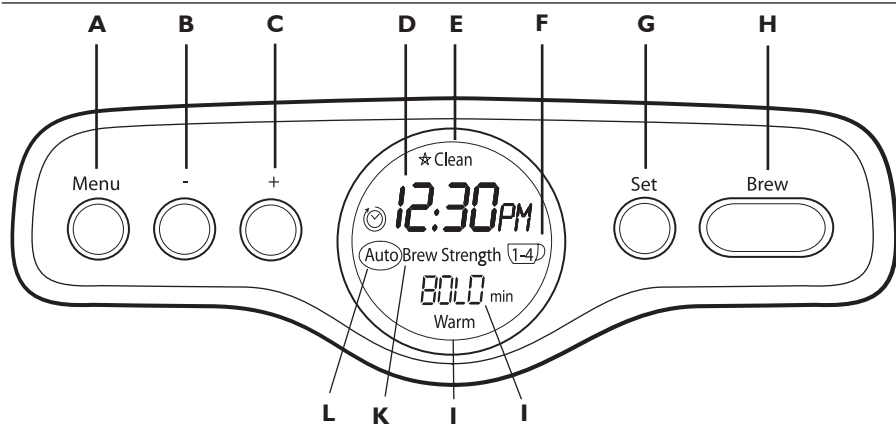
## **Heat Pump (not shown)**

Powerful heat pump brews rich, flavorful coffee.

## **Electronic Temperature Control**

Electronic temperature control regulates the powerful 1100-watt heat pump to ensure consistent brewing every time.

# Display and Control Pad Features



- A. Menu Button
- B. “-” (minus) Button
- C. “+” (plus) Button
- D. Clock Display
- E. Cleaning Needed Indicator
- F. 1-4 cup Indicator
- G. Set Button
- H. Brew Button
- I. Mode Selection/Brew Strength/Time Since Brewed Display area
- J. Warm Indicator
- K. Brew Strength Indicator
- L. Auto indicator

## DISPLAY FEATURES:

### Clock Display (D)

Shows the time-of-day with AM or PM indicator and automatic brew time.

### Cleaning Needed Indicator (E)

The indicator will light after brewing if the coffee maker requires descaling.

### 1-4 Cup Indicator (F)

This special cycle ensures optimum flavor when brewing small pots of coffee. An indicator light shows when the 1-4 cup brew cycle is activated.

### Time Since Brewed Display (I) (glass carafe models only)

Display shows the time elapsed since the completion of the brewing cycle. Time will be displayed in minutes up to the maximum of 240 minutes. The display will alternate between “Time Since Brew” and the temperature (HIGH, MED, or LOW).

### Warm Indicator (J)

Display is on when in the “Warm” mode.

### Brew Strength Indicator (K)

Indicates brew strength (REG or BOLD).

### Auto Indicator (L)

Display is on when in “Automatic Brew” mode.

## CONTROL PAD FEATURES:

### Menu Button (A)

Press to select the desired program.

### “+” (plus) and “-” (minus) Buttons (B,C)

Use the “+” (plus) and “-” (minus) buttons to program the coffee maker features.

### Set Button (G)

Press to enter program selections.

### Brew Button (H)

Press to start the selected brew cycle.

# Coffee Brewing Suggestions: Advice For Great Taste

---

## **Fresh Coffee Beans**

Truly great coffee can only come from fresh coffee beans. To preserve the freshness of your beans, keep the beans in an opaque, airtight container and store them in a cool, dry place. Refrigeration is not recommended since condensation tends to form on the beans whenever the container is opened. Freezing can help preserve beans stored for an extended period, but it will also impair flavor.

## **The Right Grind**

The best cup of coffee comes from coffee beans that are properly ground just before brewing. When grinding, be sure to grind your coffee to a medium grind level, the appropriate grind for automatic drip coffee makers.

Look for the KitchenAid® blade or burr coffee grinders at your local retailer or online at [www.KitchenAid.com](http://www.KitchenAid.com).

## **The Proper Amount of Ground Coffee**

A good starting point is one scoop of coffee (scoop provided) for every cup of brew water marked on the glass carafe or the water tank. Finer grinds usually require less coffee but may also produce bitterness and clog the filter.

For weaker coffee, brew using the suggested ratio of coffee grounds and water, then dilute with hot water. This maximizes flavor and minimizes bitterness.

## **Brew Water Purity**

Great tasting coffee starts with fresh water. The removable water tank is easy to fill with water to give you great tasting coffee every time. It's also easy to clean so you can always make your coffee with the freshest water. Using the included water filter is also recommended.

Where local water is extremely poor, you may wish to use bottled water. Do not use distilled water or mineral water since they can damage your coffee maker.

## **Coffee Maker Cleanliness**

Since the coffee oils that build up on the brew basket and carafe can go stale and impair the flavor of the brewed coffee, it's important that these two items are cleaned daily in order to make the best tasting coffee.

# Preparing Your Coffee Maker For Use

---

## **Pre-Use Cleaning**

Wash the brew basket, Gold Tone permanent filter, and carafe in hot, soapy water, then rinse with clean water and dry. Do not use abrasive cleansers or scouring pads.

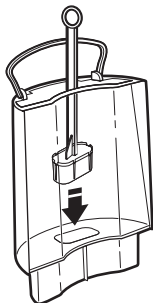
## **Installing the Water Filter**

Use of the water filter is strongly recommended. Use of the filter is optional. The coffee maker will operate normally without it.

1. The filter consists of a long handle with a filter cartridge at the end.
2. Place the filter cartridge in a separate container filled with fresh, cool water. The cartridge should remain submerged in the water for 10 minutes. Rinse the filter under running water for 2 seconds after soaking.
3. Lift the water tank lid using the tab on the rear of the lid.



- Place the filter cartridge in the well at the bottom of the water tank. Push the cartridge slightly to make sure it fits snugly.



- Every time you install a new filter, run the coffee maker through a complete brewing cycle without coffee. Use a full carafe of clean, cool water. See “Coffee Maker Care” for information on when to change the water filter.

#### To Set the Time-of-Day Clock for the First Time or After Power Outage

### **! WARNING**



#### **Electrical Shock Hazard**

**Plug into a grounded 3 prong outlet.**

**Do not remove ground prong.**

**Do not use an adapter.**

**Do not use an extension cord.**

**Failure to follow these instructions can result in death, fire, or electrical shock.**

- Plug into a grounded 3-prong outlet.
- When the coffee maker is first plugged in or when power is restored after an interruption, the brew timer display will initially show 12:00 AM, with the hours section flashing “12”. The Clock indicator will flash while the time is being set.

- Press the “+” (plus) or “-” (minus) buttons to increase or decrease the hours.
- Press the SET button. The minutes digits will flash for the minutes adjustment.
- Press the “+” (plus) or “-” (minus) buttons to increase or decrease the minutes.
- Press the SET button again The AM or PM indicator will flash for the AM/PM adjustment.
- Press the “+” (plus) or “-” (minus) buttons to select AM or PM.
- Press SET button to choose the selected time. Two short beeps will sound indicating programming is complete.

#### To Set the Time-of-Day Clock

When the coffee maker is first plugged in, or after a power interruption of more than one minute, the coffee maker will power up in the clock setting mode. In this case, follow the previous directions “To Set the Time-of-Day Clock for the First Time or After Power Outage”. If adjusting the time of the clock after initial set up, follow the complete instructions below.

- For glass carafe models, press the MENU button 6 times to enter the Time/Clock Setting mode. The Clock indicator will flash while the time is being set.

**NOTE:** For thermal carafe models, press the MENU button 5 times to enter the Time/Clock Setting mode.

- Press the “+” (plus) or “-” (minus) buttons to increase or decrease the hours.
- Press the SET button. The minutes digits will flash for the minutes adjustment.
- Press the “+” (plus) or “-” (minus) buttons to increase or decrease the minutes.
- Press the SET button again The AM or PM indicator will flash for the AM/PM adjustment.
- Press the “+” (plus) or “-” (minus) buttons to select AM or PM.
- Press SET button to choose the selected time. Two short beeps will sound indicating programming is complete.

# KitchenAid® Coffee Maker Use

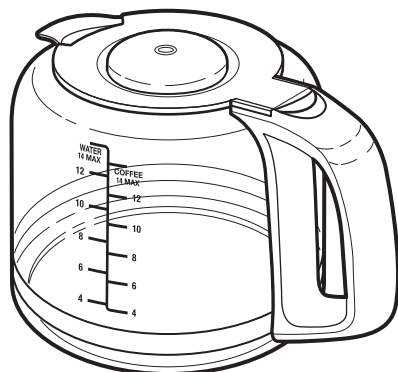
## Brewing Coffee

**NOTE:** Brew one pot of fresh, cool water and discard before brewing the first pot of coffee (first time use only).

1. Remove the water tank and fill with enough fresh, cool water to make the desired amount of coffee. A graduated scale on the tank measures the amount of water needed. When replacing the tank, make sure to align it with the tab(s).

**NOTE:** The tank can be filled using the carafe without removing the tank from the coffee maker.

The right side of the scale (“coffee”) is a measurement of coffee volume. The left side of the scale (“water”) is based upon 140 mL cups.

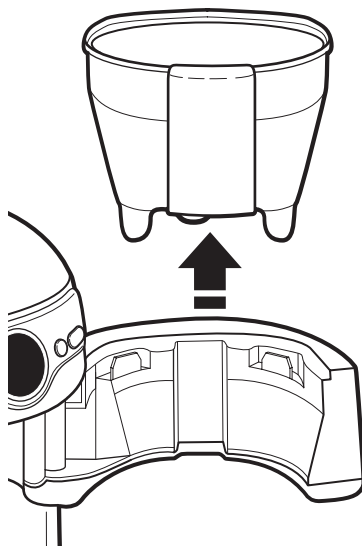


2. After filling the water tank, place the carafe in the coffee maker.

**IMPORTANT:** Make sure the lid is securely in position (For thermal carafe models, see “Placing the Lid on the Thermal Carafe”) and the bottom of the carafe is fully seated. If the carafe is not seated, the Pause and Pour feature may not engage and may cause water and coffee to overflow the brew basket.

To maximize coffee temperature, it is recommend that you fill and empty the carafe with hot water to preheat the carafe.

3. Open the brew basket door. Brew basket may be removed, but can be filled without removing it from the front of the coffee maker.



4. Insert a 12-14 cup flat bottom paper filter or the Gold Tone permanent filter into the brew basket.

**IMPORTANT:** Do not use both types of filters at the same time. Using both filters might cause water and coffee to overflow the brew basket.



5. Use the included scoop and fill the filter with one level scoop of ground coffee for each cup desired. Use a medium grind appropriate for automatic drip coffee makers.

**IMPORTANT:** Too fine a grind produces bitterness and may clog the coffee filter.

**NOTE:** Always place the filter and coffee into the removable brew basket. Do not operate the coffee maker without the brew basket in place.

6. Even out the bed of coffee with scoop. If the brew basket is removed, place the mounting holes over the pins in the door and seat it securely in the door. Be sure the brew basket door is fully closed before brewing.

### Brewing 4+ Cups of Coffee

1. Press the BREW button to begin brewing coffee.
2. For glass carafes only, the coffee maker will sound the end-of-brewing tone and the “Warm” indicator will turn on when brewing is complete.
3. For glass carafes only, the Time Since Brew display will alternate between the temperature setting (HIGH, MED, or LOW) and the time elapsed since the completion of the brewing cycle.
4. For glass carafes only, at the end of programmed Keep Warm Time (the default is 2 hours), the coffee maker will automatically shut off. To turn off the coffee maker manually, press the BREW button.

**NOTE:** The outside of the carafe will be hot to the touch after brewing. Use discretion when placing the carafe on uncovered surfaces immediately after brewing.

5. Repeat the procedure in the “Brewing Coffee” and “Brewing 4+ Cups of Coffee” sections to brew additional carafes of coffee. Always turn off the coffee maker and allow it to cool for 5 minutes before starting the next brew cycle.

### Brewing 1-4 Cups of Coffee

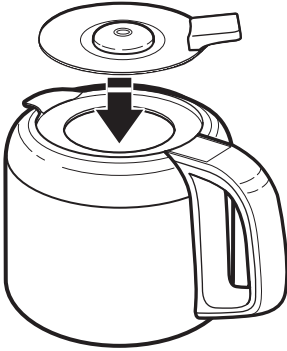
**NOTE:** Brew one pot of fresh, cool water and discard before brewing the first pot of coffee (first time use only).

1. Repeat steps 1-5 in the “Brewing Coffee” section.
2. Press the MENU button 3 times to enter the 1-4 Cups mode. The “1-4” indicator will show and “OFF” indicator will flash.
3. Press the “+” (plus) or “-” (minus) buttons until ON is displayed.
4. Press the SET button to select the 1-4 Cups mode. Two short beeps will sound indicating programming is complete.
5. Press the BREW button to begin brewing coffee.
6. The coffee maker will sound the end-of-brewing tone when brewing is complete.
7. On glass carafe models only, the Time Since Brew display indicates the time elapsed since the completion of the brewing cycle. At the end of programmed Keep Warm Time (the default is 2 hours), the coffee maker will automatically shut off. To turn off the coffee maker manually, press the BREW button.  
**NOTE:** The outside of the carafe will be hot to the touch after brewing. Use discretion when placing the carafe on uncovered surfaces immediately after brewing.
8. Repeat the procedure in the “Brewing Coffee” and “Brewing 1-4 Cups of Coffee” sections to brew additional carafes of coffee. Always turn off the coffee maker and allow it to cool for 5 minutes before starting the next brew cycle.

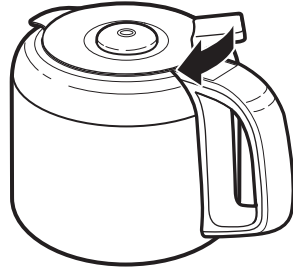
## Placing the Lid on the Thermal Carafe

To properly place the lid on the thermal carafe, follow these instructions.

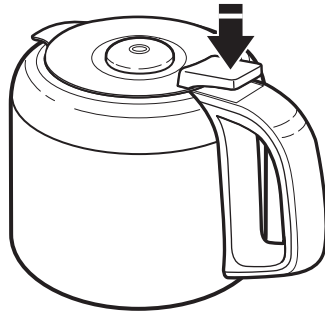
1. Place the lid onto the thermal carafe with the thumb lever to the right of the handle.



2. Rotate the lid counterclockwise until the thumb lever is over the handle.



3. To pour, press the thumb lever down.



## Coffee Maker Enhanced Features

### Pause and Pour Feature

The Pause and Pour feature enables you to remove the carafe from the coffee maker and pour a cup of coffee before brewing is finished. When the carafe is removed, a special valve stops the flow of coffee from the brew basket. However, brewing does not stop. If the carafe is not placed back in the coffee maker within 25 seconds, water and coffee will overflow the brew basket.

### Automatic Brew Timer

The coffee maker can be programmed to brew coffee at a preset time, making it easy to wake up to fresh coffee every morning.

To program and activate the Automatic Brew Timer:

1. Press the MENU button 1 time to enter the "Auto Brew Timer" mode. The "Auto" and "OFF" indicators will flash. Press the "+" (plus) or "-" (minus) button to select "ON". Press the SET button.

2. The hours digits will flash next. Press the "+" (plus) or "-" (minus) button to set the hour. Press the SET button.
3. The minutes digits will flash next. Press the "+" (plus) or "-" (minus) button to set the minutes. Press the SET button.
4. The "AM/PM" indicators will flash next. Press the "+" (plus) or "-" (minus) button to select AM or PM. Two short beeps will sound indicating programming is complete.
5. The "Auto" indicator will turn on and the coffee maker will begin brewing at the programmed time. The time that is set will be displayed for 3 seconds as a reminder of the set time. The programmed time will remain active until steps 1-4 are repeated or power is interrupted for more than 60 seconds.

**NOTE:** To turn off the Automatic Brew settings, return to the Automatic Brew function on the menu and select "OFF".

## Using the Programmed Automatic Brew Time Again

After setting up your Automatic Brew Time, you can use the following directions to reuse your previously programmed time setting.

To re-activate the Programmed Automatic Brew Time:

1. Press the MENU button 1 time to enter the "Auto Brew Timer" mode. The "Auto" and "OFF" indicators will flash. Press the "+" (plus) or "-" (minus) button to select "ON". Press the SET button.
2. The hours digits will flash next. Press the SET button to set the hour.
3. The minutes digits will flash next. Press the SET button to set the minutes.
4. The "AM/PM" indicators will flash next. Press the SET to select AM or PM. Two short beeps will sound indicating programming is complete.
5. The "Auto" indicator will turn on and the coffee maker will begin brewing at the programmed time. The time that is set will be displayed for 3 seconds as a reminder of the set time. The programmed time will remain active until steps 1-4 are repeated or power is interrupted for more than 60 seconds.

**NOTE:** To reactivate the programmed time, press and hold the BREW button. The "Auto" indicator will turn on and the coffee maker will begin brewing at the programmed time.

## Brew Strength

The coffee maker can be programmed to brew coffee at regular (REG) or bold (BOLD) strengths.

**NOTE:** If you do not complete the programming steps within 10 seconds, the settings will be maintained and the coffee maker will exit to the default mode.

To program and activate the Brew Strength:

1. Press the MENU button 2 times to enter the "Brew Strength" mode. The "Brew Strength" indicator will flash until this programming cycle is complete.

2. The strength (REG or BOLD) indicator will flash. Press the "+" (plus) or "-" (minus) button to select the brew strength desired (REG or BOLD).
3. Press the SET button to program the Brew Strength setting. Two short beeps will sound, indicating programming is complete. The programmed strength will remain active until steps 1-3 are repeated or power is interrupted for more than 60 seconds.

## Variable Warmth Control/Selectable Automatic Shutoff

For glass carafe models only, the coffee maker can be programmed to keep coffee warm for a specific length of time and temperature. This feature is not available on thermal carafe models.

**NOTE:** If you do not complete the programming steps within 10 seconds, the settings will be maintained and the coffee maker will exit to the Default mode.

To program and activate the Warm Timer/ Temperature setting:

1. Press the MENU button 4 times to enter the "Warm Timer / Temperature" mode. The "Warm" indicator and time digits will flash until this programming cycle is complete.
2. Press the "+" (plus) or "-" (minus) button to select the length of warm time desired. The time range can be selected between 0.5 and 4 hours in 30-minute increments.
3. Press the SET button. The "Warm" indicator and temperature setting (LOW, MED, or HIGH) will flash. Press the "+" (plus) or "-" (minus) button to select the temperature (LOW, MED, or HIGH).
4. Press the SET button to program the Warm Timer/ Temperature setting. Two short beeps will sound, indicating programming is complete. The programmed temperature will remain active until steps 1-4 are repeated or power is interrupted for more than 60 seconds.

# Coffee Maker Care

---

## Cleaning the Coffee Maker

1. Remove the brew basket and carafe from the coffee maker.
2. Wash the brew basket and Gold Tone permanent filter in hot, soapy water and rinse with hot water. Do not use abrasive cleansers or scouring pads. These parts can also be washed in the upper rack of a dishwasher.
3. Unplug the coffee maker and wipe the housing with a warm, soapy cloth. Then wipe clean with damp cloth and dry with a soft cloth. Do not use abrasive cleansers or scouring pads.

## Cleaning Needed Indicator

Calcium deposits (scale) from water will build up in the coffee maker heat pump over time and impair brewing efficiency and coffee quality. When the coffee maker needs to be cleaned, the “Clean” indicator will flash after a brewing cycle is complete. Once this occurs, descaling should be done as soon as possible to preserve the performance and life of your coffee maker.

**NOTE:** You may want to clean your coffee maker prior to the “Cleaning Needed” indicator flashing under heavy use or hard water conditions.

## Descaling the Coffee Maker

The coffee maker can be descaled using a packaged descaling agent or vinegar. Always mix the descaling solution using cool water.

- When using a descaling agent, follow the directions on the package for the recommended amounts of descaling agent and water to use.
  - When using vinegar, fill the carafe with a solution consisting of  $\frac{1}{2}$  vinegar and  $\frac{1}{2}$  water.
1. Before descaling, always remove the water filter (see the “Installing the Water Filter” section) and make sure the brew basket contains no coffee or coffee filters.
  2. Run the coffee maker through a complete Clean cycle using a full tank of the descaling solution.

**NOTE:** If you do not complete the programming steps within 10 seconds, the settings will be maintained and the coffee maker will exit to the default mode.
  3. For glass carafe models, press the MENU button 5 times to enter the Clean mode. The “Clean” and “ON” indicators will flash.

**NOTE:** For thermal carafe models, press the MENU button 4 times to enter the Clean mode. The “Clean” and “ON” indicators will flash.
  5. Press the SET button to program the Clean setting. Two short beeps will sound, indicating programming is complete.
  6. Press the BREW button to start the cleaning cycle. Once the cleaning cycle is complete, the “Clean” indicator will turn off.
  7. Rinse the coffee maker by running it through 2 brewing cycles using a full water tank of fresh, cool water each time.
  8. Wash the brew basket in hot, soapy water and rinse with hot water. The brew basket can also be washed in the upper rack of the dishwasher.
  9. Reinstall or replace the water filter. Replace the filter every 3 months under normal use. Replace it more often under heavy use or hard water conditions. The replaceable carbon filter can be found at your local retailer or on [www.KitchenAid.com](http://www.KitchenAid.com).

# Troubleshooting

---

- **If the brew timer display is not illuminated:**

Check to see whether the coffee maker is plugged into a grounded 3-prong outlet. If it is, check the fuse or circuit breaker on the electrical circuit the coffee maker is connected to and make sure the circuit is closed.

- **If only a portion of the water added to the coffee maker actually brews:**

The coffee maker requires immediate descaling. Please refer to “Descaling the Coffee Maker” in the “Coffee Maker Care” section.

- **If the problem cannot be corrected:**

See the KitchenAid warranty section. Do not return the coffee maker to the retailer; retailers do not provide service.

## Proof of Purchase and Product Registration

---

Always keep a copy of the sales receipt showing the date of purchase of your coffee maker. Proof of purchase will assure you of in-warranty service.

Before you use your coffee maker, please fill out and mail your product registration card packed with the unit. This card will enable us to contact you in the unlikely event of a product safety notification and assist us in complying with the provisions of the Consumer Product Safety Act. This card does not verify your warranty.

Please complete the following for your personal records:

**Model Number** \_\_\_\_\_

**Serial Number** \_\_\_\_\_

**Date Purchased** \_\_\_\_\_

**Store Name and Location** \_\_\_\_\_

# KitchenAid® Coffee Maker Warranty for the 50 United States, the District of Columbia, Puerto Rico, and Canada

This warranty extends to the purchaser and any succeeding owner for Coffee Makers operated in the 50 United States, the District of Columbia, Puerto Rico, and Canada.

<b>Length of Warranty:</b>	One Year Full Warranty from date of purchase.
<b>KitchenAid Will Pay for Your Choice of:</b>	<p>Hassle-Free Replacement of your Coffee Maker. See the next page for details on how to arrange for service, or call the Customer eXperience Center toll-free at <b>1-800-541-6390</b>.</p> <p>OR</p> <p>The replacement parts and repair labor costs to correct defects in materials and workmanship. Service must be provided by an Authorized KitchenAid Service Center.</p>
<b>KitchenAid Will Not Pay for:</b>	<ul style="list-style-type: none"> <li><b>A.</b> Repairs when Coffee Maker is used in other than normal single family home use.</li> <li><b>B.</b> Damage resulting from accident, alteration, misuse or abuse.</li> <li><b>C.</b> Any shipping or handling costs to deliver your Coffee Maker to an Authorized Service Center.</li> <li><b>D.</b> Replacement parts or repair labor costs for Coffee Makers operated outside the 50 United States, District of Columbia, Puerto Rico, and Canada.</li> </ul>
<p><b>DISCLAIMER OF IMPLIED WARRANTIES; LIMITATION OF REMEDIES</b></p> <p>IMPLIED WARRANTIES, INCLUDING TO THE EXTENT APPLICABLE WARRANTIES OF MERCHANTABILITY OR FITNESS FOR A PARTICULAR PURPOSE, ARE EXCLUDED TO THE EXTENT LEGALLY PERMISSIBLE. ANY IMPLIED WARRANTIES THAT MAY BE IMPOSED BY LAW ARE LIMITED TO ONE YEAR, OR THE SHORTEST PERIOD ALLOWED BY LAW. SOME STATES AND PROVINCES DO NOT ALLOW LIMITATIONS OR EXCLUSIONS ON HOW LONG AN IMPLIED WARRANTY OF MERCHANTABILITY OR FITNESS LASTS, SO THE ABOVE LIMITATIONS OR EXCLUSIONS MAY NOT APPLY TO YOU.</p> <p>IF THIS PRODUCT FAILS TO WORK AS WARRANTED, CUSTOMER'S SOLE AND EXCLUSIVE REMEDY SHALL BE REPAIR OR REPLACEMENT ACCORDING TO THE TERMS OF THIS LIMITED WARRANTY. KITCHENAID AND KITCHENAID CANADA DO NOT ASSUME ANY RESPONSIBILITY FOR INCIDENTAL OR CONSEQUENTIAL DAMAGES. This warranty gives you specific legal rights and you may also have other rights which vary from state to state or province to province.</p>	





## Hassle-Free Replacement Warranty – 50 United States, District of Columbia, and Puerto Rico

---

We're so confident the quality of our products meets the exacting standards of KitchenAid that, if your Coffee Maker should fail within the first year of ownership, KitchenAid will arrange to deliver an identical or comparable replacement to your door free of charge and arrange to have your original Coffee Maker returned to us. Your replacement unit will also be covered by our one year limited warranty. Please follow these instructions to receive this quality service.

If your Coffee Maker should fail within the first year of ownership, simply call our

toll-free Customer eXperience Center at **1-800-541-6390** Monday through Friday. Please have your original sales receipt available when you call. Proof of purchase will be required to initiate the claim. Give the consultant your complete shipping address. (No P.O. Box numbers, please.)

When you receive your replacement Coffee Maker, use the carton and packing materials to pack up your original Coffee Maker. In the carton, include your name and address on a sheet of paper along with a copy of the proof of purchase (register receipt, credit card slip, etc.).

## Hassle-Free Replacement Warranty – Canada

---

We're so confident the quality of our products meets the exacting standards of the KitchenAid® brand that, if your Coffee Maker should fail within the first year of ownership, KitchenAid Canada will replace your Coffee Maker with an identical or comparable replacement. Your replacement unit will also be covered by our one year limited warranty. Please follow these instructions to receive this quality service.

If your Coffee Maker should fail within the first year of ownership, take the Coffee Maker or ship collect to an Authorized KitchenAid Service Centre. In the carton

include your name and complete shipping address along with a copy of the proof of purchase (register receipt, credit card slip, etc.). Your replacement Coffee Maker will be returned prepaid and insured. If you are unable to obtain satisfactory service in this manner call our toll-free Customer eXperience Centre at **1-800-807-6777**.

Or write to us at:  
Customer eXperience Centre  
KitchenAid Canada  
200 - 6750 Century Ave.  
Mississauga, ON L5N 0B7

## Arranging for Service after the Warranty Expires, or Ordering Accessories and Replacement Parts

---

### In the United States and Puerto Rico:

For service information, or to order accessories or replacement parts, call toll-free at **1-800-541-6390** or write to:  
Customer eXperience Center,  
KitchenAid Portable Appliances,  
P.O. Box 218, St. Joseph, MI 49085-0218

### Outside the United States and Puerto Rico:

Consult your local KitchenAid dealer or the store where you purchased the Coffee Maker for information on how to obtain service.

### For service information in Canada:

Call toll-free **1-800-807-6777**.

Or write to:  
Customer eXperience Centre  
KitchenAid Canada  
200 - 6750 Century Ave.  
Mississauga, ON L5N 0B7

# Table des matières

Sécurité de la cafetière .....	18
Spécifications électriques .....	20
Pièces de la cafetière .....	21
Pièces et caractéristiques de la cafetière .....	22
Affichage et caractéristiques des touches de commande .....	23
Suggestions d'infusion de café : Conseil pour un arôme idéal .....	24
Préparation de la cafetière pour utilisation .....	24
Utilisation de la cafetière KitchenAid® .....	26
Caractéristiques avancées de la cafetière .....	28
Caractéristique Pause and Pour (pause et versement) .....	28
Minuterie d'infusion automatique .....	28
Réutiliser l'heure programmée d'infusion automatique .....	29
Degré d'infusion .....	29
Commande de chaleur variable/Arrêt automatique sélectionnable.....	29
Entretien de la cafetière.....	30
Dépannage .....	31
Preuve d'achat et enregistrement du produit .....	31
Garantie .....	32

## Sécurité de la cafetière

### Votre sécurité et celle des autres est très importante.

Nous donnons de nombreux messages de sécurité importants dans ce manuel et sur votre appareil ménager. Assurez-vous de toujours lire tous les messages de sécurité et de vous y conformer.



Voici le symbole d'alerte de sécurité.

Ce symbole d'alerte de sécurité vous signale les dangers potentiels de décès et de blessures graves à vous et à d'autres.

Tous les messages de sécurité suivront le symbole d'alerte de sécurité et le mot "DANGER" ou "AVERTISSEMENT".

Ces mots signifient :

 **DANGER**

**Risque possible de décès ou de blessure grave si vous ne suivez pas immédiatement les instructions.**

 **AVERTISSEMENT**

**Risque possible de décès ou de blessure grave si vous ne suivez pas les instructions.**

Tous les messages de sécurité vous diront quel est le danger potentiel et vous disent comment réduire le risque de blessure et ce qui peut se produire en cas de non-respect des instructions.

# Sécurité de la cafetière



## CONSIGNES DE SÉCURITÉ IMPORTANTES

Lors de l'utilisation d'appareils électriques, il faut toujours observer certaines précautions élémentaires de sécurité, y compris les suivantes :

1. Lire toutes les instructions.
2. Ne pas toucher de surface chaude. Utiliser les poignées ou les boutons.
3. Pour se protéger contre toute décharge électrique, ne pas immerger le cordon, les prises ou la cafetière dans de l'eau ou dans tout autre liquide.
4. Une surveillance attentive s'impose lorsqu'un appareil ménager est utilisé par ou à proximité d'enfants.
5. Débrancher la cafetière lorsqu'elle n'est pas utilisée et avant le nettoyage. Attendre que l'appareil ait refroidi avant d'installer ou de retirer des pièces.
6. Ne pas faire fonctionner un appareil dont le cordon ou la prise est endommagé(e), lorsque l'appareil ne fonctionne pas correctement ou lorsqu'il a été endommagé d'une quelconque façon. Retourner l'appareil au centre de service agréé le plus proche pour examen, réparation ou réglage.
7. L'utilisation d'accessoires de fixation non recommandés par le fabricant de l'appareil peut causer des blessures.
8. Ne pas utiliser à l'extérieur.
9. Ne pas laisser le cordon pendre sur le côté d'une table ou d'un comptoir, ou toucher une surface chaude.
10. Ne pas placer sur ou près d'un brûleur électrique ou à gaz chaud, ou dans un four chaud.
11. Ne pas utiliser l'appareil pour un autre usage que celui pour lequel il est conçu.
12. Ne pas faire fonctionner d'appareil sans que le couvercle ne soit correctement placé sur le récipient (carafe).
13. Le récipient (carafe) est conçu pour être utilisé avec cet appareil. Il ne doit jamais être utilisé sur une cuisinière ou dans un four à micro-ondes.
14. Ne pas placer de récipient chaud (carafe) sur une surface mouillée ou froide.
15. Ne pas utiliser de récipient fêlé (carafe) ou de récipient dont la poignée est lâche ou si elle n'est pas solide.
16. Ne pas nettoyer le récipient avec des nettoyeurs abrasifs, des tampons en laine d'acier ou tout autre matériau abrasif.
17. Ce produit est conçu uniquement pour un usage domestique.

## CONSERVER CES INSTRUCTIONS

# Spécifications électriques

## **⚠ AVERTISSEMENT**



### **Risque de choc électrique**

**Brancher sur une prise à 3 alvéoles reliée à la terre.**

**Ne pas enlever la broche de liaison à la terre.**

**Ne pas utiliser un adaptateur.**

**Ne pas utiliser un câble de rallonge.**

**Le non-respect de ces instructions peut causer un décès, un incendie ou un choc électrique.**

Volts : 120 volts C.A. uniquement

Hertz : 60 Hz

**REMARQUE :** Cette cafetière comporte une prise à 3 broches reliée à la terre. Pour réduire le risque de choc électrique, cette fiche ne peut être insérée dans une prise que dans un seul sens. Si cette fiche ne convient pas à la prise, contacter un électricien qualifié. Ne pas modifier la prise de quelque manière que ce soit.

Ne pas utiliser de cordon de rallonge. Si le cordon d'alimentation électrique est trop court, faire installer une prise près de l'appareil électroménager par un électricien ou un technicien de service qualifié.

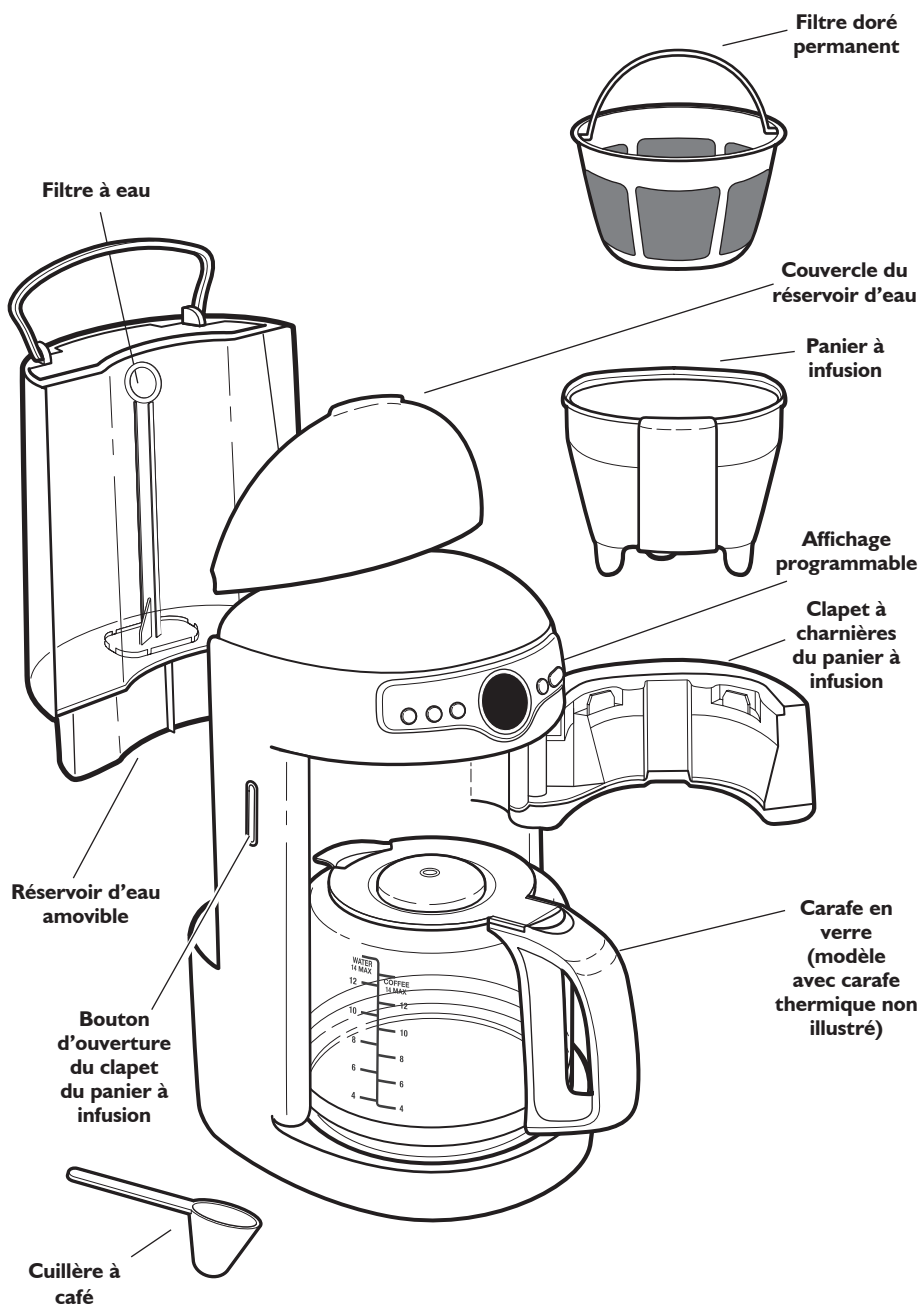
On doit utiliser un cordon d'alimentation court (ou détachable) afin de réduire le risque qu'une personne s'emmêle dans un cordon d'alimentation qui serait plus long ou trébuche dessus.

Si on utilise un cordon d'alimentation détachable ou de rallonge plus long :

- Les caractéristiques électriques indiquées de l'ensemble de cordon ou de rallonge doivent être au moins aussi élevées que les caractéristiques électriques de l'appareil.
- Le cordon doit être disposé de sorte qu'il ne pende pas par dessus le plan de travail ou la table de cuisine, où des enfants pourraient tirer dessus ou trébucher dessus involontairement.

Si l'appareil comporte une mise à la terre, la rallonge doit être un cordon de type mise à la terre à 3 conducteurs.

# Pièces de la cafetière



# Pièces et caractéristiques de la cafetière

## Caractéristique 1 à 4 tasses

Cette caractéristique permet de garantir un arôme idéal, même lorsqu'on ne prépare pas une carafe entière.

## Avertissement de nettoyage et caractéristique de nettoyage

Le témoin d'avertissement de nettoyage indique à l'utilisateur le moment où la cafetière doit être nettoyée. Le mode Clean (nettoyage) peut ensuite être activé pour détartrer la cafetière.

## Caractéristique Pause and Pour (pause et versement)

Met la cafetière en pause et laisse l'utilisateur retirer la carafe et se servir une tasse de café avant la fin du processus d'infusion. Une valve spéciale referme solidement le panier à infusion, empêchant ainsi presque totalement tout égouttement.

## Signal sonore de fin d'infusion

Un signal sonore retentit lorsque le café est infusé.

## Arrêt automatique sélectionnable

Cette caractéristique vous permet de sélectionner une heure d'arrêt automatique après 0,5 à 4 heures, par tranches de 30 minutes.

## Clapet du panier à infusion

Accéder au panier à infusion amovible en appuyant sur le bouton situé sur le côté de la cafetière. Le clapet à ressort comporte un loquet pour que la porte se ferme complètement.

## Panier à infusion

On peut placer soit des filtres à café en papier, soit le filtre doré permanent dans le panier à infusion. Le panier à infusion peut être lavé dans le panier supérieur du lave-vaisselle.

## Réservoir d'eau amovible

La cafetière comporte un réservoir d'eau amovible pratique avec graduations de niveau d'eau. Retirer le réservoir et ajouter l'eau directement dans le réservoir d'eau ou soulever le couvercle pour ajouter l'eau. Il est conseillé de laver le réservoir à la main.

## Minuterie d'infusion automatique

Une minuterie de 24 heures facile à régler permet de faire infuser le café à n'importe quelle heure du jour ou de la nuit.

## Commande de chaleur variable (modèles avec carafe en verre uniquement)

Permet à l'utilisateur de sélectionner les réglages High (élevée), Medium (moyenne), ou Low (basse) pour la plaque chauffante de la carafe.

La commande de chaleur variable est programmable de 30 minutes à 4 heures, par tranches de 30 minutes. Une fois le processus d'infusion terminé, la durée écoulée depuis la dernière infusion est affichée par tranches d'une (1) minute.

## Carafe en verre ou carafe thermique

Les carafes en verre de 14 tasses ou carafes thermiques de 12 tasses comportent un bec verseur anti-gouttes et une poignée avec prise confortable et douce. Les deux types de carafes peuvent être lavés dans le panier supérieur du lave-vaisselle.

## Filtre doré permanent

Le filtre doré haute performance supprime la nécessité d'utiliser des filtres à café en papier. On peut cependant utiliser des filtres à café en papier avec la cafetière si on le souhaite. Le filtre doré peut être lavé dans le panier supérieur du lave-vaisselle.

## Filtre à eau

Le filtre à charbon remplaçable peut être acheté auprès de votre marchand local ou sur le site [www.kitchenaid.com](http://www.kitchenaid.com).

## Cuillère à café

Utiliser une cuillère rase de café moulu par tasse de café.

## Panne de courant

Si le courant est interrompu pendant moins d'une (1) minute, la cafetière conserve les réglages pré-programmés.

## Affichage de l'horloge

Affiche l'heure et les témoins AM et PM. La caractéristique du mode de veille éconergique assombrit l'affichage de l'horloge lorsque la cafetière n'est pas utilisée.

## Sélecteur de degré d'infusion variable

Permet à l'utilisateur de choisir un degré d'infusion REG (classique) ou BOLD (fort).

## Espace de rangement du cordon pleine longueur (non illustré)

Le compartiment situé à l'arrière de la cafetière permet de ranger la longueur supplémentaire de cordon.

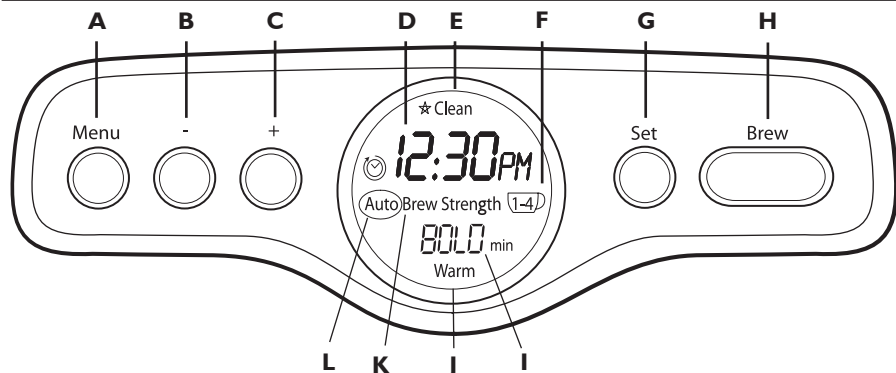
## Pompe de chauffage (non illustrée)

Une pompe de chauffage puissante permet d'infuser un café à l'arôme riche et puissant.

## Commande de température électronique

La commande de température électronique régule la puissante pompe de chauffage de 1100 watts pour une infusion efficace à chaque fois.

# Affichage et caractéristiques des touches de commande



A. Bouton MENU

B. Bouton “-” (moins)

C. Bouton “+” (plus)

D. Affichage de l’heure

E. Témoin de nettoyage nécessaire

F. Témoin 1 à 4 tasses

G. Bouton SET (réglage)

H. Bouton BREW (infusion)

I. Zone du témoin de sélection de mode/durée d’infusion/durée écoulée depuis dernière infusion

J. Témoin de maintien au chaud

K. Témoin de degré d’infusion

L. Témoin de mode automatique

## CARACTÉRISTIQUES D’AFFICHAGE

### Affichage de l’heure (D)

Indique l’heure avec le témoin AM ou PM et la durée d’infusion automatique.

### Témoin de nettoyage nécessaire (E)

Si la cafetière nécessite un détartrage, le témoin s’allume une fois l’infusion terminée.

### Témoin 1 à 4 tasses (F)

Ce programme spécial permet de garantir un arôme idéal lorsqu’on fait infuser de petites quantités de café. Un témoin lumineux indique à l’utilisateur le moment où le programme d’infusion d’une à quatre tasses est activé.

### Affichage de durée écoulée depuis dernière infusion (I) (modèles avec carafe en verre uniquement)

L’affichage indique la durée écoulée depuis l’achèvement du programme d’infusion. La durée apparaît en minutes, avec un maximum de 240 minutes. L’affichage alterne entre “Time Since Brew” (durée écoulée depuis dernière infusion) et la température (HIGH, MED, ou LOW) (élevée, moyenne ou basse).

### Témoin de maintien au chaud (J)

L’affichage est allumé lorsque la machine est au mode “Warm” (maintien au chaud).

### Témoin de degré d’infusion (K)

Indique le degré d’infusion (REG [classique] ou BOLD [fort]).

**Témoin de mode automatique (L)** L’affichage est allumé lorsque la machine est au mode “Automatic Brew” (infusion automatique).

## CARACTÉRISTIQUES DE LA TOUCHE DE COMMANDE

### Bouton MENU (A)

Appuyer sur ce bouton pour sélectionner le programme souhaité.

### Boutons “+” (plus) et “-” (moins) (B, C)

Utiliser les boutons “+” (plus) et “-” (moins) pour programmer les caractéristiques de la cafetière.

### Bouton SET (réglage) (G)

Appuyer sur ce bouton pour accéder aux sélections de programmes.

### Bouton BREW (infusion) (H)

Appuyer sur ce bouton pour démarrer le programme d’infusion sélectionné.

# Suggestions d'infusion de café :

## Conseil pour un arôme idéal

---

### Grains de café frais

Un grand café, c'est d'abord des grains de café frais. Pour préserver la fraîcheur des grains de café, les conserver dans un récipient opaque et hermétique et l'entreposer dans un endroit frais et sec. Il n'est pas conseillé de les réfrigérer, car de la condensation a tendance à se former sur les grains chaque fois que l'on ouvre le récipient. On peut congeler les grains de café pour les préserver si l'on sait qu'ils ne seront pas consommés avant longtemps, mais la congélation altérera aussi le goût.

### Le calibre idéal de moulure

Une tasse de café parfaite, c'est aussi des grains de café parfaitement moulus juste avant infusion. Lors du meulage, veiller à obtenir une mouture moyenne - il s'agit de la mouture qui convient le mieux aux cafetières à versement automatique.

Acheter les moulins à café aplatisseurs ou à lame KitchenAid® chez votre marchand ou en ligne à l'adresse [www.kitchenaid.com](http://www.kitchenaid.com).

### Quantité idéale de café moulu

Comme point de repère, on peut utiliser une cuillère à café (cuillère fournie) pour chaque tasse d'eau d'infusion indiquée sur la carafe en verre du réservoir d'eau. Une mouture plus fine nécessite généralement moins de café mais entraîne également un goût plus amer; de plus cela obstrue le filtre.

Pour un café plus léger, faire infuser en utilisant la proportion de moulure de café et d'eau suggérée puis diluer le tout dans de l'eau chaude. Ceci optimisera le goût et en minimisera l'amertume.

### Pureté de l'eau d'infusion

Un café savoureux, c'est d'abord de l'eau fraîche. Le réservoir d'eau amovible est facile à remplir, ce qui vous permet de savourer un café délicieux à chaque fois. Il est aussi facile à nettoyer; vous pouvez donc préparer votre café avec une eau parfaitement fraîche. Il est également conseillé d'utiliser le filtre à eau fourni.

Si l'eau du circuit local est de très mauvaise qualité, il sera peut-être préférable d'utiliser de l'eau en bouteille. Ne pas utiliser d'eau distillée ou d'eau minérale, car elles peuvent endommager la cafetière.

### Propreté de la cafetière

Les huiles de café qui s'accumulent dans le panier à infusion et la carafe peuvent tourner et altérer le goût du café infusé; il est donc important de nettoyer quotidiennement ces deux éléments afin d'obtenir un café à l'arôme idéal.

## Préparation de la cafetière pour utilisation

---

### Nettoyage avant utilisation

Laver le panier à infusion, le filtre doré permanent et la carafe à l'eau chaude et savonneuse, puis rincer dans une eau propre et sécher. Ne pas utiliser de nettoyeurs abrasifs ou de tampons à récurer.

### Installation du filtre à eau

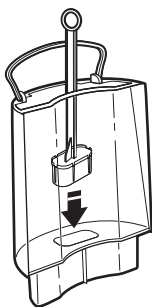
L'utilisation du filtre à eau est fortement recommandée. L'utilisation du filtre est facultative. La cafetière fonctionne normalement même sans ce filtre.

1. Le filtre comporte une longue poignée avec une cartouche de filtre à son extrémité.
2. Placer la cartouche de filtre dans un récipient séparé rempli d'eau froide et fraîche. La cartouche doit rester submergée dans l'eau

pendant 10 minutes. Rincer le filtre sous l'eau courante pendant 2 secondes après l'avoir fait tremper.

3. Soulever le couvercle du réservoir à eau avec l'onglet situé à l'arrière du couvercle.
4. Placer la cartouche du filtre dans le creux situé au fond du réservoir d'eau. Enfoncer légèrement la cartouche pour s'assurer qu'elle est solidement installée.





- Chaque fois que l'on installe un nouveau filtre, faire fonctionner un programme d'infusion complet sans café. Utiliser une carafe pleine d'eau propre et fraîche. Consulter la section "Entretien de la cafetière" pour savoir quand changer le filtre à eau.

### Configurer l'horloge pour la première fois ou après une coupure d'électricité

## **⚠ AVERTISSEMENT**



### Risque de choc électrique

**Brancher sur une prise à 3 alvéoles reliée à la terre.**

**Ne pas enlever la broche de liaison à la terre.**

**Ne pas utiliser un adaptateur.**

**Ne pas utiliser un câble de rallonge.**

**Le non-respect de ces instructions peut causer un décès, un incendie ou un choc électrique.**

- Brancher l'appareil dans une prise à 3 alvéoles reliée à la terre.
- Lorsqu'on branche la cafetière pour la première fois ou si l'on rétablit l'alimentation électrique après une coupure de courant, l'affichage de la minuterie d'infusion indique automatiquement 12:00 AM, avec le "12" des heures qui clignote. Le témoin de l'horloge clignote pendant qu'on règle l'heure.

- Appuyer sur les boutons "plus" (+) ou "moins" (-) pour ajouter ou retirer une heure.
- Appuyer sur le bouton SET (réglage). Les chiffres des minutes clignotent pendant le réglage des minutes.
- Appuyer sur les boutons "plus" (+) ou "moins" (-) pour ajouter ou retirer une minute.
- Appuyer une nouvelle fois sur le bouton SET. Le témoin AM ou PM clignote pendant le réglage AM/PM.
- Appuyer sur les boutons "+" (plus) ou "-" (moins) pour sélectionner AM ou PM.
- Appuyer sur le bouton SET pour choisir l'heure souhaitée. Deux bips sonores brefs retentissent, indiquant que la programmation est terminée.

### Réglage de l'horloge

Lorsqu'on branche la cafetière pour la première fois ou après une coupure d'électricité de plus d'une minute, la cafetière s'allume dans le mode de réglage de l'horloge. Si tel est le cas, suivre les instructions de la section "Configurer l'horloge pour la première fois ou après une coupure d'électricité" ci-dessus. Pour régler l'horloge lors du premier démarrage, suivre les instructions ci-dessous.

- Pour les modèles avec carafe en verre, appuyer 6 fois sur le bouton MENU pour entrer dans le mode de réglage Time/Clock (heure/horloge). Le témoin de l'horloge clignote pendant qu'on règle l'heure.  
**REMARQUE :** Pour les modèles avec carafe thermique, appuyer 5 fois sur le bouton MENU pour entrer dans le mode de réglage Time/Clock (heure/horloge).
- Appuyer sur les boutons "plus" (+) ou "moins" (-) pour ajouter ou retirer une heure.
- Appuyer sur le bouton SET (réglage). Les chiffres des minutes clignotent pendant le réglage des minutes.
- Appuyer sur les boutons "plus" (+) ou "moins" (-) pour ajouter ou retirer une minute.
- Appuyer une nouvelle fois sur le bouton SET. Le témoin AM ou PM clignote pendant le réglage AM/PM.
- Appuyer sur les boutons "+" (plus) ou "-" (moins) pour sélectionner AM ou PM.
- Appuyer sur le bouton SET pour choisir l'heure souhaitée. Deux bips sonores brefs retentissent, indiquant que la programmation est terminée.

# Utilisation de la cafetière KitchenAid®

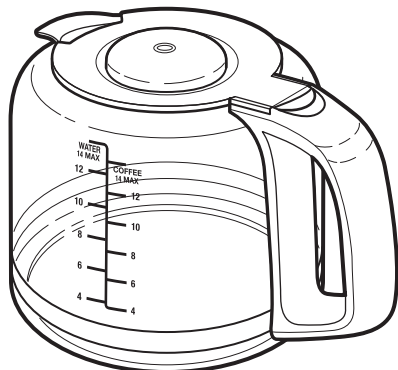
## Infusion du café

**REMARQUE :** Avant de faire infuser la première carafe de café, faire infuser une carafe d'eau fraîche et froide puis la jeter (première utilisation uniquement).

1. Retirer le réservoir d'eau et le remplir d'eau froide et fraîche pour produire la quantité de café souhaitée. Une échelle à graduations sur le réservoir permet de mesurer la quantité d'eau nécessaire. Lorsqu'on remet le réservoir en place, veiller à l'aligner avec l'onglet/les onglets.

**REMARQUE :** Le réservoir peut être rempli avec la carafe sans avoir à le retirer de la cafetière.

Le côté droit de l'échelle ("coffee" [café]) correspond à la mesure du volume de café. Le côté gauche de l'échelle ("water" [eau]) est basé sur des tasses de 140 ml.

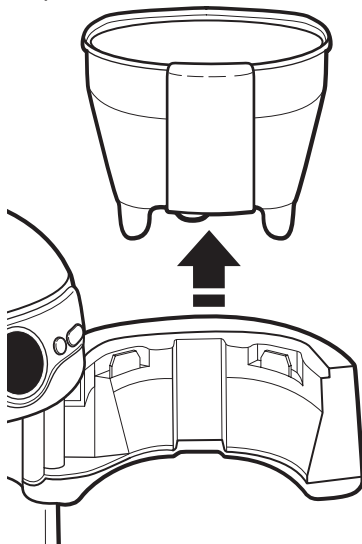


2. Après avoir rempli le réservoir d'eau, placer la carafe dans la cafetière.

**IMPORTANT :** S'assurer que le couvercle est bien en place et que le fond de la carafe est correctement installé (pour les carafes thermiques, consulter la section "Installer le couvercle sur la carafe thermique"). Si la carafe n'est pas bien installée, la caractéristique Pause and Pour (pause et versement) peut ne pas fonctionner, ce qui pourrait entraîner un débordement d'eau et de café par dessus le panier à infusion.

Pour maximiser la température du café, il est conseillé de remplir puis de vider la carafe avec de l'eau chaude pour préchauffer la carafe.

3. Ouvrir le clapet du panier à infusion. On peut retirer le panier à infusion, mais il est possible de le remplir sans l'enlever à partir de l'avant de la cafetière.



4. Insérer un filtre en papier à fond plat de 12 à 14 tasses ou placer le filtre doré permanent dans le panier à infusion.

**IMPORTANT :** Ne pas utiliser les deux types de filtres en même temps. Le fait d'utiliser les deux filtres en même temps pourrait entraîner le débordement de l'eau et du café par dessus le panier à infusion.



- Utiliser la cuillère à café fournie et remplir le filtre avec une cuillère rase de café moulu par tasse. Utiliser une mouture moyenne pour les cafetières automatiques.

**IMPORTANT :** Une mouture trop fine entraîne un goût amer et risque d'obstruer le filtre à café.

**REMARQUE :** Toujours placer le filtre et le café dans le panier à infusion amovible. Ne pas faire fonctionner la cafetière sans que le panier à infusion ne soit en place.

- Répartir le café dans le fond. Si le panier à infusion est retiré, placer les trous de montage au-dessus des axes du clapet et les enfoncer pour qu'ils y soient bien installés. S'assurer que le clapet du panier à infusion est complètement fermé avant le processus d'infusion.

### Infusion de plus de 4 tasses de café

- Appuyer sur le bouton BREW (infusion) pour démarrer le processus d'infusion du café.
- Pour les carafes en verre uniquement, la cafetière émet un signal sonore de fin d'infusion, et le témoin de réchauffage "Warm" s'allume une fois l'infusion terminée.
- Pour les modèles avec carafes en verre uniquement, l'affichage Time Since Brew (durée écoulée depuis dernière infusion) alterne entre le réglage de température (HIGH [élevée], MED [moyenne], ou LOW [basse]) et la durée écoulée depuis la fin du programme d'infusion.
- Pour les modèles avec carafes en verre uniquement, une fois la durée de maintien au chaud programmée écoulée (la durée par défaut est de 2 heures), la cafetière s'éteint automatiquement. Pour arrêter la cafetière manuellement, appuyer sur le bouton BREW (infusion).

**REMARQUE :** Il est possible que l'extérieur de la carafe soit chaud au toucher après l'infusion. Il appartient à l'utilisateur de déterminer s'il est prudent ou non de placer la carafe sur des surfaces nues immédiatement après l'infusion.

- Répéter la procédure décrite dans les sections "Infusion du café" et "Infusion de plus de 4 tasses de café" pour faire infuser des carafes de café supplémentaires. Toujours éteindre la cafetière et la laisser refroidir pendant 5 minutes avant de commencer le programme d'infusion suivant.

### Infusion d'une à quatre (1 à 4) tasses de café

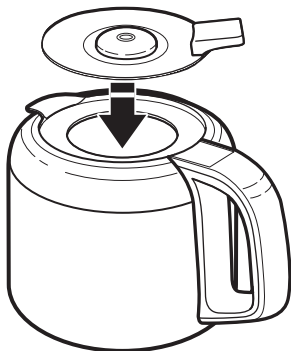
**REMARQUE :** Avant de faire infuser la première carafe de café, faire infuser une carafe d'eau fraîche et froide puis la jeter (première utilisation uniquement).

- Répéter les étapes 1 à 5 de la section "Infusion du café".
  - Appuyer 3 fois sur le bouton MENU pour passer au mode 1-4 Cups (1 à 4 tasses). Le témoin "1-4" s'allume et le témoin "OFF" (arrêté) clignote.
  - Utiliser les boutons "+" (plus) ou "-" (moins) jusqu'à ce que "ON" (marche) apparaisse.
  - Appuyer sur le bouton SET (réglage) pour sélectionner le mode 1-4 Cups (1 à 4 tasses). Deux bips sonores brefs retentissent, indiquant que la programmation est terminée.
  - Appuyer sur le bouton BREW (infusion) pour démarrer le processus d'infusion du café.
  - La cafetière émet un signal sonore de fin d'infusion une fois l'infusion terminée.
  - Pour les modèles avec carafes en verre uniquement, l'affichage Time Since Brew (durée écoulée depuis dernière infusion) indique la durée écoulée depuis la fin du dernier programme d'infusion. Une fois la durée de maintien au chaud programmée écoulée (la durée par défaut est de 2 heures), la cafetière s'éteint automatiquement. Pour arrêter la cafetière manuellement, appuyer sur le bouton BREW (infusion).
- REMARQUE :** Il est possible que l'extérieur de la carafe soit chaud au toucher après l'infusion. Il appartient à l'utilisateur de déterminer s'il est prudent ou non de placer la carafe sur des surfaces nues immédiatement après l'infusion.
- Répéter la procédure décrite dans les sections "Infusion du café" et "Infusion d'une à quatre (1 à 4) tasses de café" pour faire infuser des carafes de café supplémentaires. Toujours éteindre la cafetière et la laisser refroidir pendant 5 minutes avant de commencer le programme d'infusion suivant.

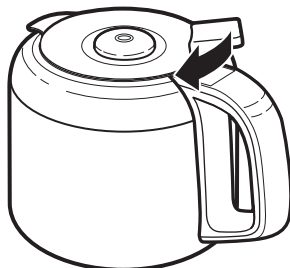
## Installer le couvercle sur la carafe thermique

Pour installer correctement le couvercle sur la carafe thermique, suivre les instructions suivantes.

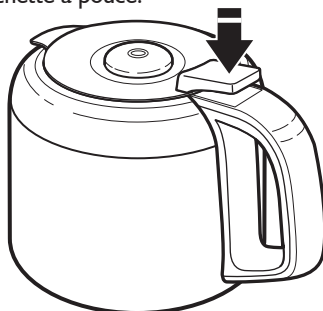
1. Placer le couvercle sur la carafe thermique, avec la gâchette à pouce à droite de la poignée.



2. Faire pivoter le couvercle dans le sens antihoraire jusqu'à ce que la gâchette à pouce se trouve au-dessus de la poignée.



3. Pour verser le café, appuyer sur la gâchette à pouce.



## Caractéristiques avancées de la cafetière

### Caractéristique Pause and Pour (pause et versement)

La caractéristique "Pause and Pour" (pause et versement) permet à l'utilisateur de retirer la carafe de la cafetière et de verser une tasse de café avant que l'infusion ne soit terminée. Lorsqu'on retire la carafe, une valve spéciale bloque le versement du café qui se fait par le panier à infusion. Ceci n'interrompt cependant pas le processus d'infusion. Si l'on ne replace pas la carafe dans la cafetière dans les 25 secondes qui suivent, l'eau et le café déborderont du panier à infusion.

### Minuterie d'infusion automatique

La cafetière peut être programmée pour démarrer l'infusion du café à un moment précis, vous simplifiant ainsi la vie en mettant à votre disposition du café frais dès le réveil.

Pour programmer et activer la minuterie d'infusion automatique :

1. Appuyer 1 fois sur le bouton MENU pour passer au mode "Auto Brew Timer" (minuterie d'infusion automatique). Les témoins "Auto" et "OFF" clignotent. Appuyer sur le bouton "+" (plus) ou "-" (moins) pour sélectionner "ON" (marche). Appuyer sur le bouton SET (réglage).

2. Les chiffres des heures clignotent alors. Appuyer sur la touche "+" (plus) ou "-" (moins) pour régler les heures. Appuyer sur le bouton SET (réglage).
3. Les chiffres des minutes clignotent alors. Appuyer sur la touche "+" (plus) ou "-" (moins) pour régler les minutes. Appuyer sur le bouton SET (réglage).
4. Les témoins lumineux "AM/PM" clignotent. Appuyer sur le bouton "+" (plus) ou "-" (moins) pour sélectionner AM ou PM. Deux bips sonores brefs retentissent, indiquant que la programmation est terminée.
5. Le témoin "Auto" s'allume et la cafetière commence le processus d'infusion à l'heure programmée. L'heure réglée reste affichée pendant 3 secondes pour rappeler l'heure réglée à l'utilisateur. L'heure programmée reste activée jusqu'à ce que l'on répète les étapes 1 à 4 ou que l'alimentation électrique soit interrompue pendant plus de 60 secondes.

**REMARQUE :** Pour désactiver la fonction Automatic Brew (infusion automatique), revenir à la fonction Automatic Brew dans le menu et sélectionner "OFF" (arrêt).

## Réutiliser l'heure programmée d'infusion automatique

Après avoir réglé l'heure d'infusion automatique, suivre les instructions ci-dessous pour réutiliser les réglages de l'heure précédemment programmés.

Pour réactiver l'heure programmée d'infusion automatique :

1. Appuyer 1 fois sur le bouton MENU pour passer au mode "Auto Brew Timer" (minuterie d'infusion automatique). Les témoins "Auto" et "OFF" clignotent. Appuyer sur le bouton "+" (plus) ou "-" (moins) pour sélectionner "ON" (marche). Appuyer sur le bouton SET (réglage).
2. Les chiffres des heures clignotent alors. Appuyer sur le bouton SET (réglage) pour régler l'heure.
3. Les chiffres des minutes clignotent alors. Appuyer sur le bouton SET (réglage) pour régler les minutes.
4. Les témoins lumineux "AM/PM" clignotent. Appuyer sur SET (réglage) pour sélectionner AM ou PM. Deux bips sonores brefs retentissent, indiquant que la programmation est terminée.
5. Le témoin "Auto" s'allume et la cafetière commence le processus d'infusion à l'heure programmée. L'heure réglée reste affichée pendant 3 secondes pour rappeler l'heure réglée à l'utilisateur. L'heure programmée reste activée jusqu'à ce que l'on répète les étapes 1 à 4 ou que l'alimentation électrique soit interrompue pendant plus de 60 secondes.

**REMARQUE :** Pour réactiver l'heure programmée, appuyer sans relâcher sur le bouton BREW (infusion). Le témoin "Auto" s'allume et la cafetière commence le processus d'infusion à l'heure programmée.

## Degré d'infusion

La cafetière peut être programmée pour faire infuser le café au niveau classique (REG) ou fort (BOLD).

**REMARQUE :** Si l'on ne termine pas les étapes de programmation dans les 10 secondes qui suivent, les réglages seront conservés et la cafetière passera au mode de réglage par défaut.

Pour programmer et activer le degré d'infusion :

1. Appuyer 2 fois sur le bouton Menu pour passer au mode "Brew Strength" (degré d'infusion). Le témoin "Brew Strength" (degré d'infusion) clignote jusqu'à ce que la programmation de ce programme soit terminée.

2. Le témoin de degré d'infusion classique (REG) ou fort (BOLD) clignote. Appuyer sur le bouton "+" (plus) ou "-" (moins) pour sélectionner le degré d'infusion désiré (REG [classique] ou BOLD [fort]).
3. Appuyer sur le bouton SET (réglage) pour programmer le réglage de degré d'infusion. Deux bips sonores brefs retentissent, indiquant que la programmation est terminée. Le degré d'infusion programmé reste activé jusqu'à ce que l'on répète les étapes 1 à 3 ou que l'alimentation électrique soit interrompue pendant plus de 60 secondes.

## Commande de chaleur variable/Arrêt automatique sélectionnable

Pour les modèles comportant une carafe en verre uniquement, la cafetière peut être programmée pour garder le café au chaud pendant une durée déterminée et à une température précise. Cette caractéristique n'est pas disponible sur les modèles avec carafe thermique.

**REMARQUE :** Si l'on ne termine pas les étapes de programmation dans les 10 secondes qui suivent, les réglages seront conservés et la cafetière passera au mode de réglage par défaut.

Pour programmer et activer le réglage Warm Timer/Temperature (minuterie de maintien au chaud/température) :

1. Appuyer 4 fois sur le bouton MENU pour passer au mode "Warm Timer / Temperature" (minuterie de maintien au chaud/température). Le témoin "Warm" (maintien au chaud) et les chiffres de l'heure clignotent jusqu'à ce que la programmation de ce programme soit terminée.
2. Utiliser le bouton "+" (plus) ou "-" (moins) pour sélectionner la durée de maintien au chaud désirée. On peut sélectionner une durée comprise entre 0,5 et 4 heures, par tranches de 30 minutes.
3. Appuyer sur le bouton SET (réglage). Le témoin "Warm" (maintien au chaud) et le réglage de température (LOW, MED, ou HIGH [basse, moyenne ou élevée]) clignotent. Appuyer sur le bouton "+" (plus) ou "-" (moins) pour sélectionner la température (LOW, MED, ou HIGH [basse, moyenne ou élevée]).
4. Appuyer sur le bouton SET (réglage) pour programmer le réglage Warm Timer/ Temperature (minuterie de maintien au chaud/température). Deux bips sonores brefs retentissent, indiquant que la programmation est terminée. La température programmée reste activée jusqu'à ce que l'on répète les étapes 1 à 4 ou que l'alimentation électrique soit interrompue pendant plus de 60 secondes.

# Entretien de la cafetière

## Nettoyage de la cafetière

1. Retirer le panier à infusion et la carafe de la cafetière.
2. Laver le panier à infusion et le filtre doré permanent à l'eau chaude et savonneuse, puis rincer à l'eau chaude. Ne pas utiliser de nettoyeurs abrasifs ou de tampons à récuser. Ces parties peuvent également être lavées dans le panier supérieur du lave-vaisselle.
3. Débrancher la machine à café et essuyer le logement avec un chiffon imbibé d'eau savonneuse et tiède. Essuyer ensuite avec un chiffon humide et sécher avec un chiffon doux. Ne pas utiliser de nettoyeurs abrasifs ou de tampons à récuser.

## Témoin de nettoyage nécessaire

Avec le temps, des dépôts de calcium (tartre) présents dans l'eau s'accumulent dans la pompe de chauffage de la cafetière et réduisent l'efficacité du processus d'infusion ainsi que la qualité du café. Lorsque la cafetière a besoin d'être nettoyée, le témoin "Clean" (nettoyage) clignote après une infusion. Lorsque cela se produit, on doit procéder à un détartrage dès que possible pour préserver la performance et la longévité de la cafetière.

**REMARQUE :** En cas d'utilisation intensive ou si l'eau utilisée est dure, il sera peut-être judicieux de nettoyer la cafetière avant que le témoin "Cleaning Needed" (nettoyage nécessaire) ne clignote.

## Détartrage de la cafetière

La cafetière peut être détartrée à l'aide d'un agent de détartrage ou du vinaigre. Toujours diluer la solution de détartrage avec de l'eau froide.

- Lors de l'utilisation d'un agent de détartrage, suivre les instructions de l'emballage pour connaître les quantités d'agent de détartrage et d'eau recommandées.
  - Lorsqu'on utilise du vinaigre, remplir la carafe d'un mélange de 1/2 vinaigre et 1/2 eau.
1. Avant un détartrage, toujours retirer le filtre à eau (voir la section "Installation du filtre à eau") et s'assurer que le panier à infusion ne contient pas de café ou de filtre à café.
  2. Faire fonctionner un programme de nettoyage complet en remplissant le réservoir plein de la solution de détartrage.

**REMARQUE :** Si l'on ne termine pas les étapes de programmation dans les 10 secondes qui suivent, les réglages seront conservés et la cafetière passera au mode de réglage par défaut.

3. Pour les modèles de carafe en verre, appuyer 5 fois sur le bouton MENU pour entrer au mode de nettoyage. Les témoins "Clean" et "ON" clignotent.

**REMARQUE :** Pour les modèles de carafe thermique, appuyer 4 fois sur le bouton MENU pour entrer au mode de nettoyage. Les témoins "Clean" et "ON" clignotent.

4. Appuyer sur le bouton SET (réglage) pour programmer le réglage Clean (nettoyage). Deux bips sonores brefs retentissent, indiquant que la programmation est terminée.
5. Appuyer sur le bouton BREW (infusion) pour démarrer le programme de nettoyage. Une fois le programme de nettoyage terminé, le témoin "Clean" (nettoyage) s'éteint.
6. Rincer la cafetière en faisant fonctionner 2 programmes d'infusion en remplissant chaque fois le réservoir d'eau fraîche et froide.
7. Laver le panier à infusion dans une eau chaude et savonneuse et rincer à l'eau chaude. Le panier à infusion peut également être lavé dans le panier supérieur du lave-vaisselle.
8. Réinstaller ou remplacer le filtre à eau. Dans le cadre d'une utilisation normale, remplacer le filtre tous les 3 mois. Le remplacer plus souvent en cas d'utilisation intensive ou si l'eau utilisée est dure. Le filtre à charbon remplaçable peut être acheté auprès de votre marchand local ou sur le site [www.kitchenaid.com](http://www.kitchenaid.com).

# Dépannage

---

- **Si l'affichage de la minuterie d'infusion n'est pas allumé :**  
Vérifier que la cafetière est branchée dans une prise à 3 alvéoles reliée à la terre.  
Si tel est le cas, inspecter le fusible ou coupe-circuit du circuit électrique auquel la cafetière est raccordée et s'assurer que le circuit est fermé.
- **Si seule une partie de l'eau versée dans la cafetière infuse :** La cafetière nécessite un détartrage immédiat.  
Consulter "Détartrage de la cafetière" dans la section "Entretien de la cafetière".
- **Si le problème ne peut être résolu :**  
Voir la section de la garantie KitchenAid.  
Ne retournez pas la cafetière au vendeur - un vendeur n'assure pas de service après-vente.

## Preuve d'achat et enregistrement du produit

---

Veillez toujours conserver une copie du ticket de caisse indiquant la date d'achat de la cafetière. La preuve d'achat vous garantit le bénéfice du service après-vente.

Avant d'utiliser la cafetière, veuillez remplir et expédier la carte d'enregistrement du produit emballée avec l'appareil. Grâce à cette carte, nous pourrions vous contacter dans l'éventualité improbable d'un avis de sécurité concernant le produit; ceci nous aidera aussi à nous conformer aux dispositions de la loi sur la sécurité des produits de consommation. Cette carte ne confirme pas votre garantie.

Veillez remplir ce qui suit pour vos dossiers personnels :

**Numéro de modèle** \_\_\_\_\_


**Numéro de série** \_\_\_\_\_

**Date d'achat** \_\_\_\_\_

**Nom et adresse du magasin** \_\_\_\_\_

## **Garantie de la cafetière KitchenAid® pour les 50 États des États-Unis, le district fédéral de Columbia, Porto Rico et le Canada**

La présente garantie couvre l'acheteur et les propriétaires suivants de la cafetière lorsqu'elle est utilisée dans les 50 États des États-Unis, le district fédéral de Columbia, Porto Rico et au Canada.

<b>Durée de la garantie :</b>	Garantie complète d'un an à compter de la date d'achat.
<b>KitchenAid prendra en charge les éléments suivants à votre choix :</b>	<p>Remplacement sans difficulté de votre cafetière. Voir la page suivante pour plus de détails concernant la procédure à suivre pour un dépannage, ou appeler le numéro sans frais <b>1-800-541-6390</b> du centre de l'eXpérience de la clientèle.</p> <p>OU</p> <p>Les frais de pièces de rechange et de main-d'œuvre pour corriger les vices de matériaux et de fabrication. Le service doit être fourni par un centre de réparation agréé KitchenAid.</p>
 <b>KitchenAid ne paiera pas pour :</b>	<ul style="list-style-type: none"><li><b>A.</b> Les réparations lorsque la cafetière est utilisée à des fins autres que l'usage domestique unifamilial normal.</li><li><b>B.</b> Les dommages causés par : accident, altération, mésusage ou abus.</li><li><b>C.</b> Tout frais d'expédition ou de manutention pour livrer la cafetière à un centre de réparation agréé.</li><li><b>D.</b> Le coût des pièces de rechange ou de la main-d'œuvre pour les cafetières utilisées en dehors des 50 États des États-Unis, du district fédéral de Columbia, du Canada et de Porto Rico.</li></ul>
<b>CLAUSE D'EXONÉRATION DE RESPONSABILITÉ AU TITRE DES GARANTIES IMPLICITES; LIMITATION DES RECOURS.</b> LES GARANTIES IMPLICITES, Y COMPRIS DANS LA MESURE OÙ ELLES S'APPLIQUENT, LES GARANTIES DE QUALITÉ MARCHANDE OU D'APTITUDE À UN USAGE PARTICULIER, SONT EXCLUES DE LA PRÉSENTE GARANTIE, ET CE, DANS LES LIMITES AUTORISÉES PAR LA LOI. TOUTE GARANTIE IMPLICITE POUVANT ÊTRE IMPOSÉE PAR LA LOI EST LIMITÉE À UN AN, OU À LA PLUS COURTE PÉRIODE AUTORISÉE PAR LA LOI. CERTAINES JURIDICTIONS NE PERMETTENT PAS LA LIMITATION DE LA DURÉE DE VALIDITÉ DES GARANTIES IMPLICITES DE QUALITÉ MARCHANDE OU D'APTITUDE À UN USAGE PARTICULIER; PAR CONSÉQUENT LES LIMITATIONS OU EXCLUSIONS STIPULÉES DANS LES PRÉSENTES PEUVENT NE PAS VOUS ÊTRE APPLICABLES. SI CE PRODUIT NE FONCTIONNE PAS TEL QUE GARANTI, LE SEUL ET UNIQUE RECOURS DU CLIENT CONSISTE À EN OBTENIR LA RÉPARATION OU LE REMPLACEMENT CONFORMÉMENT AUX TERMES DE LA PRÉSENTE GARANTIE LIMITÉE. KITCHENAID ET KITCHENAID CANADA DÉCLINENT TOUTE RESPONSABILITÉ AU TITRE DES DOMMAGES FORTUITS OU INDIRECTS. Cette garantie vous confère des droits juridiques spécifiques et vous pouvez également jouir d'autres droits qui peuvent varier d'un État à l'autre ou d'une province à l'autre.	



## Garantie de remplacement sans difficulté – pour les 50 États des États-Unis, le district fédéral de Columbia et Porto Rico

---

Nous sommes tellement certains que la qualité de nos produits satisfait aux normes exigeantes de KitchenAid que si la cafetière cesse de fonctionner au cours de la première année suivant son acquisition, KitchenAid livrera gratuitement à votre porte un appareil de remplacement identique ou comparable et prendra les dispositions nécessaires pour que la cafetière d'origine nous soit retournée. L'appareil de remplacement sera également couvert par notre garantie limitée d'un an. Veuillez suivre ces instructions pour bénéficier de ce service de qualité.

Si votre cafetière cesse de fonctionner durant la première année suivant son acquisition, il

vous suffit d'appeler le Centre de l'eXpérience clientèle au **1-800-541-6390** du lundi au vendredi. Veuillez avoir votre reçu de vente à portée de main au moment de votre appel. Une preuve d'achat est indispensable pour que votre réclamation puisse être traitée. Fournissez votre adresse de livraison complète au représentant. (Pas de boîte postale)

À réception de la cafetière de rechange, utiliser le carton et les matériaux d'emballage pour emballer la cafetière d'origine. Veuillez indiquer vos nom et adresse sur une feuille de papier et insérez-la dans le carton avec une copie de votre preuve d'achat (reçu de caisse, facture de règlement par de carte de crédit etc.).

## Garantie de remplacement sans difficulté - Canada

---

Nous sommes tellement certains que la qualité de nos produits satisfait aux normes exigeantes de la marque KitchenAid® que si la cafetière cesse de fonctionner au cours de la première année suivant son acquisition, KitchenAid Canada remplacera la cafetière par un appareil de remplacement identique ou comparable. L'appareil de remplacement sera également couvert par notre garantie limitée d'un an. Veuillez suivre ces instructions pour bénéficier de ce service de qualité.

Si votre cafetière cesse de fonctionner durant la première année suivant son acquisition, apporter ou réexpédier la cafetière port dû vers un Centre de réparation KitchenAid

agréé. Veuillez indiquer vos nom et adresse d'expédition complets dans le carton et joignez une copie de votre preuve d'achat (reçu de caisse, facture de règlement par de carte de crédit etc.). Votre cafetière de rechange sera retournée port payé et assurée. Si le service que vous obtenez de cette manière n'est pas satisfaisant, appelez sans frais notre centre pour l'eXpérience de la clientèle au **1-800-807-6777**.

Ou écrivez-nous à :  
Customer eXperience Centre  
KitchenAid Canada  
200 - 6750 Century Ave.  
Mississauga, ON L5N 0B7

## Obtenir un dépannage une fois la garantie expirée ou commander des accessoires et pièces de rechange

---

### Aux États-Unis et à Porto Rico :

Pour des informations sur le service de dépannage ou pour commander des accessoires ou des pièces de rechange, composer le numéro sans frais **1-800-541-6390** ou écrire à :

Customer eXperience Centre,  
KitchenAid Portable Appliances,  
P.O. Box 218  
St. Joseph, MI 49085-0218

### En dehors des États-Unis et de Porto Rico :

Consulter le revendeur local KitchenAid ou le détaillant auprès duquel la cafetière a été achetée pour obtenir plus d'informations sur la marche à suivre pour une intervention de dépannage

### Pour des informations concernant toute intervention de dépannage au Canada :

Composer le numéro sans frais **1-800-807-6777**.

Ou écrire à l'adresse suivante :

Customer eXperience Centre,  
KitchenAid Canada  
200 - 6750 Century Ave.  
Mississauga, ON L5N 0B7

# Índice

Seguridad de la cafetera .....	34
Requisitos eléctricos .....	36
Piezas de la cafetera .....	37
Piezas y características de la cafetera .....	38
Características de la pantalla y los botones de control .....	39
Sugerencias para la elaboración del café: Consejos para obtener el sabor ideal .....	40
Cómo preparar la cafetera para su uso .....	40
Uso de la cafetera KitchenAid® .....	42
Características superiores de la cafetera .....	44
Característica de pausa y servir .....	44
Temporizador de elaboración automática .....	44
Para usar nuevamente la hora programada de elaboración de café .....	45
Intensidad del café .....	45
Control de calentamiento variable/Apagado automático seleccionable .....	45
Cuidado de la cafetera .....	46
Solución de problemas .....	47
Prueba de compra y registro del producto .....	47
Garantía .....	48

## Seguridad de la cafetera

### Su seguridad y la seguridad de los demás es muy importante.

Hemos incluido muchos mensajes importantes de seguridad en este manual y en su electrodoméstico. Lea y obedezca siempre todos los mensajes de seguridad.



Este es el símbolo de advertencia de seguridad.

Este símbolo le llama la atención sobre peligros potenciales que pueden ocasionar la muerte o una lesión a usted y a los demás.

Todos los mensajes de seguridad irán a continuación del símbolo de advertencia de seguridad y de la palabra “PELIGRO” o “ADVERTENCIA”.

Estas palabras significan:

**⚠ PELIGRO**

**Si no sigue las instrucciones de inmediato, usted puede morir o sufrir una lesión grave.**

**⚠ ADVERTENCIA**

**Si no sigue las instrucciones, usted puede morir o sufrir una lesión grave.**

Todos los mensajes de seguridad le dirán el peligro potencial, le dirán cómo reducir las posibilidades de sufrir una lesión y lo que puede suceder si no se siguen las instrucciones.

# Seguridad de la cafetera

	<b>ADVERTENCIA</b> RIESGO DE INCENDIO O CHOQUE ELÉCTRICO. NO LO ABRA.	
<p>ADVERTENCIA: PARA REDUCIR EL RIESGO DE INCENDIO O CHOQUE ELÉCTRICO, NO quite la cubierta (o la parte posterior).</p> <p>EL INTERIOR NO CONTIENE PIEZAS QUE PUEDA REPARAR EL USUARIO.</p> <p>LA REPARACIÓN DEBE EFECTUARSE SOLAMENTE POR PERSONAL AUTORIZADO PARA DAR SERVICIO.</p>		

## SALVAGUARDIAS IMPORTANTES

Al utilizar aparatos eléctricos, se deben seguir las precauciones básicas de seguridad, entre las que se incluyen las siguientes:

1. Lea todas las instrucciones.
2. No toque las superficies calientes. Use las asas o perillas.
3. Para protegerse contra choque eléctrico, no sumerja el cable, los enchufes ni la cafetera en agua ni en ningún otro líquido.
4. Es necesario supervisar cuidadosamente a los niños cuando usen cualquier aparato o cuando éste se use cerca de ellos.
5. Desenchufe la cafetera del contacto cuando no esté en uso y antes de la limpieza. Deje que se enfríe antes de colocar o quitar piezas.
6. No opere ningún aparato que tenga un cable o enchufe dañado, que haya funcionado mal o que se haya dañado de alguna manera. Devuelva el aparato al lugar más cercano de servicio autorizado para su examen, reparación o ajuste..
7. El uso de accesorios de acoplamiento no recomendados por parte del fabricante del aparato puede ocasionar heridas.
8. No lo use al aire libre.
9. No deje que el cable cuelgue del borde de una mesa o mostrador ni que toque superficies calientes.
10. No lo coloque cerca de un quemador a gas o eléctrico caliente ni sobre el mismo, ni tampoco dentro de un horno caliente.
11. No dé al aparato un uso diferente de aquél para el cual fue diseñado.
12. No use el aparato sin colocar la tapa debidamente sobre el recipiente (la jarra).
13. El recipiente (la jarra) ha sido diseñado para usarse con este aparato. Nunca deberá usarse sobre la estufa ni dentro de un horno de microondas.
14. No deje un recipiente (jarra) caliente sobre una superficie mojada o fría.
15. No use un recipiente (jarra) rajado ni uno que tenga la manija floja o débil.
16. No limpie el recipiente con limpiadores abrasivos, esponjas de fibra metálica u otro material abrasivo.
17. Este producto ha sido diseñado únicamente para uso doméstico.

## GUARDE ESTAS INSTRUCCIONES

# Requisitos eléctricos

## **! ADVERTENCIA**



### **Peligro de Choque Eléctrico**

**Conecte a un contacto de pared de conexión a tierra de 3 terminales.**

**No quite la terminal de conexión a tierra.**

**No use un adaptador.**

**No use un cable eléctrico de extensión.**

**No seguir estas instrucciones puede ocasionar la muerte, incendio o choque eléctrico.**

No use un cable eléctrico de extensión. Si el cable de suministro eléctrico es demasiado corto, haga que un electricista o técnico de servicio competente instale un contacto cerca del electrodoméstico.

Deberá usarse un cable corto de suministro eléctrico (o un cable desmontable de suministro eléctrico) para reducir el riesgo de enredarse o tropezarse con un cable más largo.

Si se usa un cable de suministro eléctrico desmontable más largo o un cable de extensión:

- La clasificación eléctrica indicada en el juego de cables o cable de extensión deberá ser por lo menos la misma que la clasificación eléctrica del aparato.
- Deberá arreglarse el cable de manera que no cuelgue sobre el mostrador o la parte superior de la mesa, en donde los niños podrían jalarlo o tropezarse con él accidentalmente.

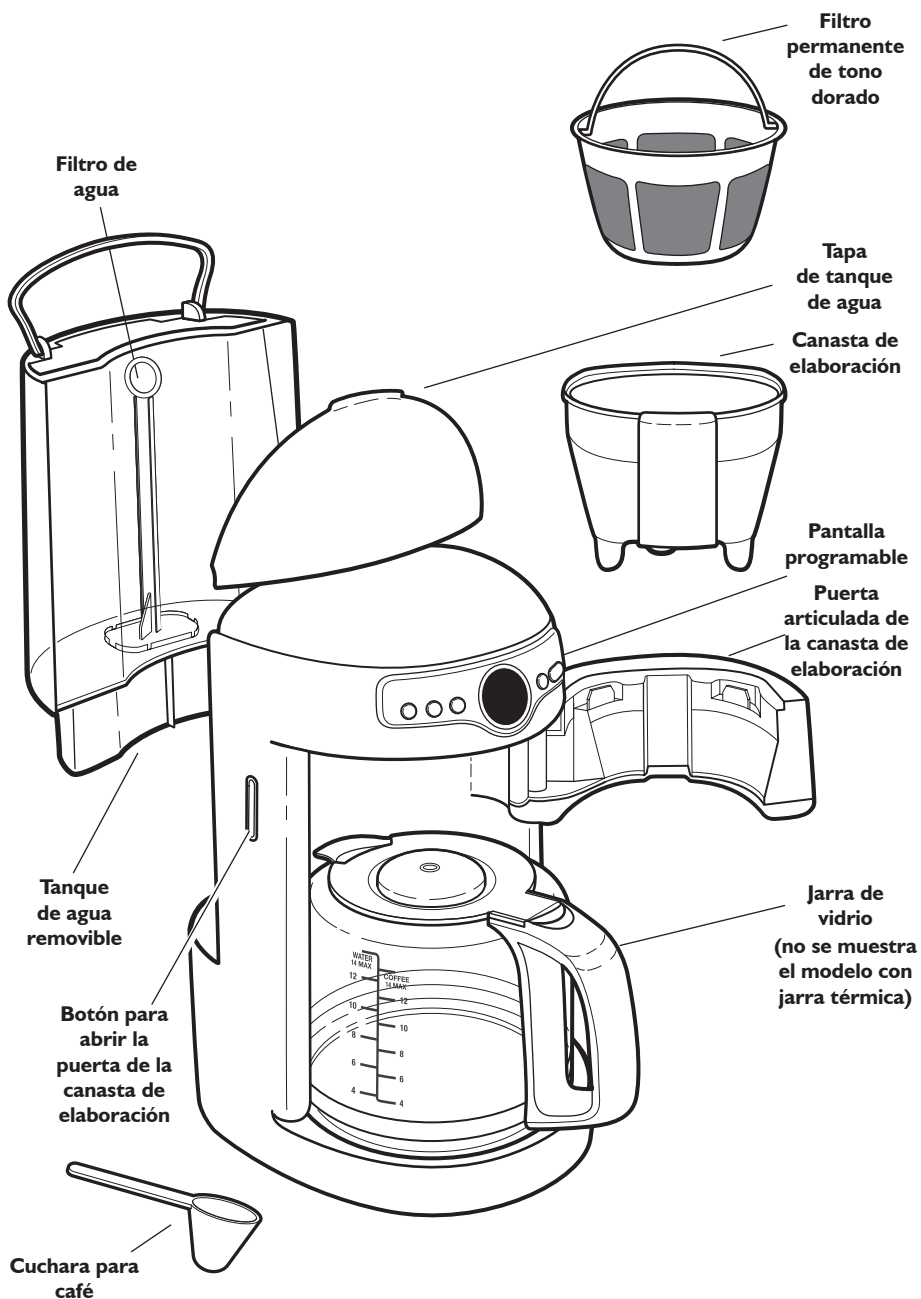
Si el aparato es del tipo de conexión a tierra, el cable eléctrico de extensión deberá ser un cable de conexión a tierra de 3 terminales.

Voltios: 120 Voltios, CA solamente

Hertzios: 60 Hz

**NOTA:** Esta cafetera tiene un enchufe de conexión a tierra de 3 terminales. Para reducir el riesgo de choque eléctrico, este enchufe encajará en un contacto solamente de una manera. Si el enchufe no encaja en el contacto, póngase en contacto con un electricista competente. No modifique el enchufe de ninguna manera.

# Piezas de la cafetera



# Piezas y características de la cafetera

## **Característica para 1 a 4 tazas**

Esta característica asegura un sabor óptimo, aun cuando usted no esté preparando una jarra completa.

## **Clean Alert (Alerta para la limpieza) y característica de Clean (Limpiar)**

El indicador de Clean Alert (Alerta para la limpieza) le recuerda cuándo necesita limpiarse la cafetera. Puede activarse el modo de Clean (Limpiar) para quitar el sarro de la cafetera.

## **Característica de Pausa y servir**

La característica de "Pausa y servir" le permite sacar la jarra y servirse una taza de café antes de que se termine la elaboración. Una válvula especial sella herméticamente la canasta de elaboración, eliminando la mayoría de los goteos.

## **Tono de fin de elaboración**

Se escucha un tono cuando el café está listo.

## **Apagado automático seleccionable**

Esta característica le permite seleccionar las horas de apagado automático, de 0,5 a 4 horas, en incrementos de 30 minutos.

## **Puerta de la canasta de elaboración**

Obtenga acceso a la canasta removible de elaboración de café presionando el botón que se encuentra en el costado de la cafetera. La puerta con resorte incluye un pestillo para asegurarse de que se cierre por completo.

## **Canasta de elaboración**

En la canasta de elaboración se pueden colocar filtros de papel para café o el filtro permanente de tono dorado. La canasta de elaboración puede lavarse en la canasta superior de una lavavajillas.

## **Tanque de agua removible**

La cafetera tiene un práctico tanque de agua removible con indicadores del nivel de agua. Saque el tanque de agua y agregue agua directamente al mismo o levante la tapa para agregar agua. Se recomienda lavar el tanque a mano.

## **Temporizador de elaboración automática**

Un temporizador fácil de fijar para 24 horas accionará la preparación del café a la hora seleccionada, de día o de noche.

## **Control de calor variable**

**(sólo en los modelos con jarra de vidrio)**  
Le permite seleccionar entre los ajustes High (Alto), Medium (Medio) o Low (Bajo) para la placa de calentamiento de la jarra. El control de calor variable puede programarse de 0,5 a 4 horas, en incrementos de 30 minutos. Después

de que se termine el proceso de elaboración, aparecerá en la pantalla el tiempo transcurrido desde la elaboración, en incrementos de 1 minuto.

## **Jarra de vidrio o térmica**

La jarra de vidrio para 14 tazas y la jarra térmica para 12 tazas tienen un pico vertedor que no gotea y un mango cómodo y suave. Ambas jarras pueden lavarse en la canasta superior de una lavavajillas.

## **Filtro permanente de tono dorado**

El filtro de tono dorado de gran resistencia elimina la necesidad de usar filtros de papel para café. Si se desea, pueden también usarse filtros de papel en la cafetera. El filtro de tono dorado puede lavarse en la canasta superior de una lavavajillas.

## **Filtro de agua**

El filtro de carbón reemplazable puede adquirirse en su tienda local o en [www.KitchenAid.com](http://www.KitchenAid.com).

## **Cuchara para café**

Use una cuchara al ras de café molido por cada taza deseada.

## **Cortes de corriente**

Si el corte de corriente dura menos de 1 minuto, la cafetera recordará los ajustes programados previamente.

## **Pantalla del reloj**

Muestra la hora del día con indicadores de AM y PM. El modo de dormir para ahorrar energía hace la pantalla del reloj más tenue cuando la cafetera no está en uso.

## **Selector variable de intensidad del café**

Le permite seleccionar entre una intensidad de café REG (Común) y BOLD (Fuerte).

## **Espacio para almacenar el cable en toda su extensión (no se muestra)**

El compartimiento que está en la parte posterior de la cafetera mantiene el exceso del cable fuera del alcance.

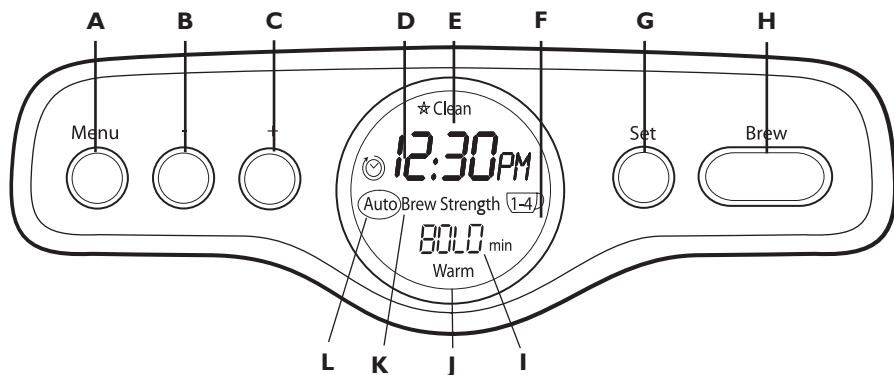
## **Bomba de calor (no se muestra)**

La poderosa bomba de calor elabora un café aromático y sabroso.

## **Control electrónico de temperatura**

El control electrónico de temperatura regula la poderosa bomba de calor de 1100 vatios para asegurar la constante calidad de elaboración.

# Características de la pantalla y los botones de control



A. Botón de Menu (Menú)

B. Botón de “-” (menos)

C. Botón de “+” (más)

D. Pantalla del reloj

E. Indicador de limpieza necesaria

F. Indicador de 1 a 4 tazas

G. Botón de Set (Fijar)

H. Botón de elaboración

I. Área donde se muestra la selección de modo/intensidad de café/tiempo desde la elaboración de café

J. Indicador de Warm (Caliente)

K. Indicador de intensidad del café

L. Indicador de Auto (Automático)

## CARACTERÍSTICAS DE LA PANTALLA:

### Pantalla del reloj (D)

Muestra la hora del día con el indicador de AM o PM y la hora de elaboración automática.

### Indicador de limpieza necesaria (E)

El indicador se encenderá después de la elaboración, si es necesario quitar el sarro a la cafetera.

### Indicador de 1 a 4 tazas (F)

Este ciclo especial asegura un sabor óptimo cuando prepare pequeñas cantidades de café. Una luz indicadora muestra cuando se ha activado el ciclo de 1 a 4 tazas.

### Pantalla de tiempo transcurrido desde la elaboración (I)

(sólo en los modelos con jarra de vidrio)  
La pantalla muestra el tiempo que ha transcurrido desde que se terminó el ciclo de elaboración. El tiempo aparecerá en minutos, hasta un máximo de 240 minutos. La pantalla alternará entre “Time Since Brew” (Tiempo transcurrido desde la elaboración) y la temperatura (HIGH - Alta, MED - Media o LOW - Baja).

### Indicador de Warm (Caliente) (J)

La pantalla está encendida cuando la cafetera está en el modo de “Warm” (Caliente).

### Indicador de intensidad del café (K)

Indica la intensidad del café (REG - Común o BOLD - Fuerte).

### Indicador de Auto (Automático) (L)

La pantalla está encendida cuando la cafetera está en el modo de “Automatic Brew” (Elaboración automática).

## CARACTERÍSTICAS DE LOS BOTONES DEL CONTROL:

### Botón de Menu (Menú) (A)

Presiónelo para seleccionar el programa deseado.

### Botones de “+” (más) y “-” (menos) (B, C)

Use los botones de “+” (más) y “-” (menos) para programar las características de la cafetera.

### Botón de Set (Fijar) (G)

Presiónelo para ingresar las selecciones de programas.

### Botón de elaboración (H)

Presiónelo para poner en marcha el ciclo seleccionado de elaboración.

# Sugerencias para la elaboración del café: Consejos para obtener el sabor ideal

---

## Granos frescos de café

Un café realmente sabroso se puede preparar solamente con granos frescos de café. Para conservar la frescura de los granos de café, manténgalos en un recipiente hermético opaco y guárdelos en un lugar fresco y seco. No se recomienda refrigerarlos, debido a que el agua tiende a condensarse sobre los granos cada vez que se abre el recipiente. El congelamiento puede ayudar a mantener los granos almacenados durante un período prolongado, pero también afectará su sabor.

## El molido justo

La mejor taza de café se prepara con granos de café que han sido molidos adecuadamente, justo antes de prepararlo. Cuando muele los granos de café, cerciórese de que sea a un nivel de molido mediano, el apropiado para las cafeteras automáticas.

Busque los molinillos de café KitchenAid® con cuchillas o de placas, en su tienda local o en el internet, [www.KitchenAid.com](http://www.KitchenAid.com).

## La cantidad adecuada de café molido

Será una buena idea comenzar con una cuchara de café (cuchara provista) por cada taza de café marcada en la jarra de vidrio o en el tanque de agua. Si el molido es más fino, por lo general se necesita menos café, pero esto puede producir un café amargo y bloquear el filtro.

Para obtener un café menos fuerte, prepárelo siguiendo la proporción sugerida de granos de café y agua; después dilúyalo en agua caliente. Esto aumenta el sabor y hace que quede menos amargo.

## La pureza del agua para la elaboración de café

Un sabroso café comienza con agua fresca. El tanque de agua removible es fácil de llenar, para proveerle siempre un café con un gusto ideal. También es fácil de limpiar, para que usted siempre pueda preparar su café con el agua más fresca. Se recomienda además usar el filtro de agua incluido.

En lugares en donde las condiciones del agua local sean muy malas, tal vez desee usar agua embotellada. No use agua destilada ni agua mineral, ya que pueden dañar su cafetera.

## Para mantener la cafetera limpia

Debido a que los aceites del café que se acumulan en la canasta de elaboración y en la jarra pueden ponerse en malas condiciones y afectar el sabor del café preparado, es importante que estas dos piezas se limpien diariamente para poder preparar un café con el mejor sabor.

## Cómo preparar la cafetera para su uso

---

### Limpieza antes del uso

Lave la canasta de elaboración, el filtro permanente de tono dorado y la jarra en agua caliente jabonosa; enjuáguelos con agua limpia y séquelos. No use limpiadores ni estropajos abrasivos.

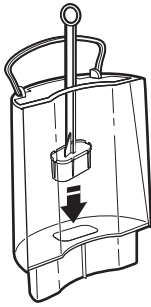
### Instalación del filtro de agua

Se recomienda enérgicamente usar el filtro de agua. El uso del filtro es optativo. La cafetera funcionará normalmente sin el mismo.

1. El filtro consiste en un mango largo con un cartucho de filtro en el extremo.

2. Coloque el cartucho del filtro en un recipiente separado lleno con agua fresca. Deberá mantenerse el cartucho sumergido en agua durante 10 minutos. Enjuague el filtro bajo agua del grifo durante 2 segundos después de remojarlo.
3. Levante la tapa del tanque de agua usando la lengüeta que está en la parte posterior de la tapa.
4. Coloque el cartucho del filtro en el hueco que está en la base del tanque de agua. Empuje ligeramente el cartucho para asegurarse de que encaja justo.





5. Cada vez que instale un nuevo filtro, ponga a funcionar la cafetera por un ciclo completo de elaboración sin café. Use una jarra llena de agua limpia y fresca. Vea "Cuidado de la cafetera" para obtener información acerca de cuándo cambiar el filtro de agua.

### Cómo fijar el reloj en la hora del día por primera vez o después de un corte de corriente

## ⚠ ADVERTENCIA

**Peligro de Choque Eléctrico**

**Conecte a un contacto de pared de conexión a tierra de 3 terminales.**

**No quite la terminal de conexión a tierra.**

**No use un adaptador.**

**No use un cable eléctrico de extensión.**

**No seguir estas instrucciones puede ocasionar la muerte, incendio o choque eléctrico.**

1. Conecte a un contacto de pared de conexión a tierra de 3 terminales.
2. Cuando se enchufa la cafetera por primera vez o cuando vuelva a restablecerse la electricidad después de un corte de corriente, la pantalla del temporizador de elaboración mostrará inicialmente 12:00

AM, y en la sección de la hora destellará "12". El indicador de Clock (Reloj) destellará mientras se está fijando la hora.

3. Presione el botón de "+" (más) o "-" (menos) para aumentar o disminuir las horas.
4. Presione el botón de SET (Fijar). Destellarán los dígitos de los minutos para regular los minutos.
5. Presione el botón de "+" (más) o "-" (menos) para aumentar o disminuir los minutos.
6. Presione nuevamente el botón de SET (Fijar). El indicador de AM o PM destellará para el ajuste de AM/PM.
7. Presione los botones de "+" (más) o "-" (menos) para seleccionar AM o PM.
8. Presione el botón de SET (Fijar) para elegir la hora seleccionada. Se escucharán dos pitidos cortos, indicando que está terminada la programación.

### Parar fijar el reloj en la hora del día

Cuando se enchufe la cafetera por primera vez, o después de un corte de corriente de más de un minuto, la cafetera se encenderá en el modo de ajuste del reloj. En este caso, siga las instrucciones previas, "Cómo fijar el reloj en la hora del día por primera vez o después de un corte de corriente". Si regula la hora del reloj después del ajuste inicial, siga las instrucciones completas a continuación.

1. Para los modelos con jarra de vidrio, presione el botón de MENU (Menú) 6 veces para ingresar al modo de Time/Clock Setting (Fijar la hora/el reloj). El indicador de Clock (Reloj) destellará mientras se está fijando la hora.  
**NOTA:** For thermal carafe models, press the MENU button 5 times to enter the Time/Clock Setting mode.
2. Para los modelos con jarra térmica, presione el botón de MENU (Menú) 5 veces para ingresar al modo de Time/Clock Setting (Fijar la hora/el reloj).
3. Presione el botón de SET (Fijar). Destellarán los dígitos de los minutos para regular los minutos.
4. Presione el botón de "+" (más) o "-" (menos) para aumentar o disminuir los minutos.

5. Presione nuevamente el botón de SET (Fijar). El indicador de AM o PM destellará para el ajuste de AM/PM.
6. Presione los botones de "+" (más) o "-" (menos) para seleccionar AM o PM.
7. Presione el botón de SET (Fijar) para elegir la hora seleccionada. Se escucharán dos pitidos cortos, indicando que está terminada la programación.

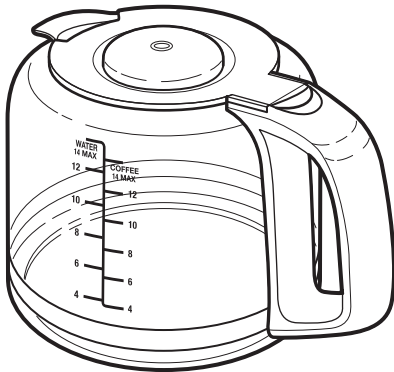
# Uso de la cafetera KitchenAid®

## Elaboración del café

**NOTA:** Ponga a elaborar una jarra de agua fresca en la cafetera y deséchela antes de elaborar la primera jarra de café (sólo para el primer uso).

1. Saque el tanque de agua y llénelo con agua fresca suficiente como para hacer la cantidad de café deseada. Una escala graduada en el tanque mide la cantidad de agua necesaria. Cuando vuelva a colocar el tanque, cerciórese de alinearlo con la(s) lengüeta(s).

**NOTA:** El tanque puede llenarse sin quitarlo de la cafetera, usando la jarra. El lado derecho de la escala ("coffee" - café) es una medida del volumen de café. El lado izquierdo de la escala ("water" - agua) está basado en tazas de 140 ml.

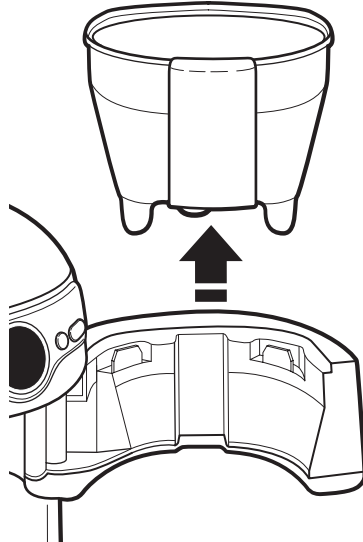


2. Después de llenar el tanque de agua, coloque la jarra en la cafetera.

**IMPORTANTE:** Cerciórese de que la tapa esté segura en su lugar (para los modelos con jarra térmica, consulte "Cómo colocar la tapa sobre la jarra térmica") y que la base de la jarra esté asentada por completo. Si la jarra no está asentada, la característica de Pausa y servir puede no activarse y hacer que se derramen el agua y el café de la canasta de elaboración.

Para un café bien caliente, se recomienda llenar la jarra con agua caliente y vaciarla, para calentarla previamente.

3. Abra la puerta de elaboración de café. La canasta de elaboración puede sacarse, pero puede llenarse desde la parte frontal de la cafetera sin tener que quitarla.



4. Inserte un filtro de papel de base plana para 12 a 14 tazas o el filtro permanente de tono dorado dentro de la canasta de elaboración.

**IMPORTANTE:** No use ambos tipos de filtros a la vez. Si usa ambos filtros, podría derramarse el agua y el café de la canasta de elaboración.



5. Use la cuchara incluida y llene el filtro con una cucharada al ras de café molido por cada taza deseada. Use un molido medio adecuado para cafeteras automáticas.

**IMPORTANTE:** Un molido demasiado fino hará que el café quede amargo y puede bloquear el filtro de la cafetera.

**NOTA:** Coloque siempre el filtro y el café dentro de la canasta de elaboración removible. No haga funcionar la cafetera sin la canasta de elaboración en su sitio.

6. Haga una capa de café uniforme con la cuchara. Si se saca la canasta de elaboración, coloque los orificios de montaje sobre las espigas en la puerta y asíntela firmemente en la puerta. Cerciórese de que la puerta de la canasta de elaboración esté cerrada por completo antes de preparar café.

### Cómo preparar 4 o más tazas de café

1. Presione el botón de BREW (Elaboración) para comenzar a preparar el café.
2. Sólo para las jarras de vidrio, la cafetera hará sonar un tono de fin de elaboración y se encenderá el indicador de “Warm” (Caliente) cuando la elaboración se haya terminado.
3. Sólo para las jarras de vidrio, la pantalla que muestra el tiempo transcurrido desde la elaboración de café alternará entre el ajuste de temperatura (HIGH - Alta, MED - Media o LOW - Baja) y el tiempo transcurrido desde que se terminó el ciclo de elaboración.
4. Sólo para las jarras de vidrio, la cafetera se apagará automáticamente al final del tiempo programado para mantener caliente (el tiempo por defecto es de 2 horas). Presione el botón de BREW (Elaboración) para apagar la cafetera manualmente.  
**NOTA:** El exterior de la jarra estará caliente al tacto después de la elaboración. Tenga cuidado al colocar la jarra sobre superficies sin protección inmediatamente después de la elaboración de café.
5. Repita el procedimiento descrito en las secciones “Cómo preparar café” y “Cómo preparar 4 o más tazas de café” para preparar más jarras de café. Apague siempre la cafetera y deje que se enfríe durante 5 minutos antes de comenzar el próximo ciclo de elaboración.

### Cómo preparar de 1 a 4 tazas de café

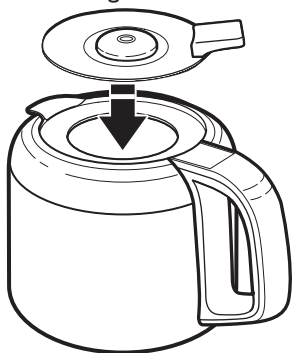
**NOTA:** Ponga a elaborar una jarra de agua fresca en la cafetera y deséchela antes de elaborar la primera jarra de café (sólo para el primer uso).

1. Repita los pasos 1 a 5 mencionados en la sección “Cómo preparar café”.
2. Presione el botón de MENU (Menú) 3 veces para ingresar al modo de 1 a 4 tazas. Aparecerá el indicador “1-4” y destellará el indicador “OFF” (Apagado).
3. Presione los botones de “+” (más) o “-” (menos) hasta que aparezca en la pantalla ON (Encendido).
4. Presione el botón de SET (Fijar) para seleccionar el modo de 1 a 4 tazas. Se escucharán dos pitidos cortos, indicando que está terminada la programación.
5. Presione el botón de BREW (Elaboración) para comenzar a preparar el café.
6. Cuando el café haya terminado de prepararse, la cafetera hará sonar un tono de fin de elaboración.
7. Sólo para los modelos con jarra de vidrio, la pantalla de tiempo transcurrido desde la elaboración de café indica el tiempo transcurrido desde que se terminó el ciclo de elaboración de café. La cafetera se apagará automáticamente al final del tiempo programado para mantener caliente (el tiempo por defecto es de 2 horas). Presione el botón de BREW (Elaboración) para apagar la cafetera manualmente.  
**NOTA:** El exterior de la jarra estará caliente al tacto después de la elaboración. Tenga cuidado al colocar la jarra sobre superficies sin protección inmediatamente después de la elaboración de café.
8. Repita el procedimiento descrito en las secciones “Cómo preparar café” y “Cómo preparar 1 a 4 tazas de café” para preparar más jarras de café. Apague siempre la cafetera y deje que se enfríe durante 5 minutos antes de comenzar el próximo ciclo de elaboración.

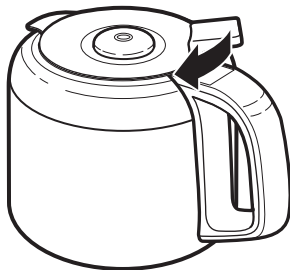
## Cómo colocar la tapa sobre la jarra térmica

Para colocar la tapa sobre la jarra térmica adecuadamente, siga estas instrucciones:

1. Coloque la tapa sobre la jarra térmica con la palanca para el pulgar hacia la derecha del mango.



2. Gire la tapa en el sentido contrario a las agujas del reloj, hasta que la palanca para el pulgar quede sobre el mango.



3. Para verter, presione hacia abajo la palanca con el pulgar.



## Características superiores de la cafetera

### Característica de pausa y servir

La característica de pausa y servir le permite retirar la jarra de la cafetera y servirse una taza de café antes de que se termine la elaboración. Al sacar la jarra, una válvula especial detiene el flujo de café de la canasta de elaboración. Sin embargo, la elaboración no se detiene. Si no se coloca la jarra nuevamente en la cafetera en menos de 25 segundos, se derramará el agua y el café de la canasta de elaboración.

### Temporizador de elaboración automática

La cafetera puede programarse para preparar café en una hora fijada previamente, haciendo más fácil levantarse cada mañana y tomarse un café recién hecho.

Para programar y activar el temporizador de elaboración automática:

1. Presione el botón de MENU (Menú) 1 vez para ingresar el modo de "Auto Brew Timer" (Temporizador de elaboración automática). Destellarán el indicador de "Auto" (Automático) y "OFF" (Apagado). Presione el botón de "+" (más) o "-" (menos) para seleccionar "ON" (Encendido). Presione el botón de SET (Fijar).

2. A continuación destellarán los dígitos de la hora. Presione el botón de "+" (más) o "-" (menos) para fijar la hora. Presione el botón de SET (Fijar).
3. A continuación destellarán los dígitos de los minutos. Presione el botón de "+" (más) o "-" (menos) para fijar los minutos. Presione el botón de SET (Fijar).
4. A continuación destellarán los indicadores de "AM/PM". Presione el botón de "+" (más) o "-" (menos) para seleccionar AM o PM. Se escucharán dos pitidos cortos, indicando que está terminada la programación.
5. Se encenderá el indicador de "Auto" (Automático) y la cafetera comenzará a elaborar el café a la hora programada. Aparecerá en la pantalla la hora fijada durante 3 segundos, como recordatorio de la misma. La hora programada permanecerá activa hasta que se repitan los pasos 1 a 4 o si se desconecta la electricidad por más de 60 segundos.

**NOTA:** Para apagar los ajustes de elaboración automática, vuelva a la función Automatic Brew (Elaboración automática) en el menú y seleccione "OFF" (Apagado).

## Para usar nuevamente la hora programada de elaboración de café

Después de fijar la hora programada de elaboración de café, puede seguir las instrucciones a continuación para volver a usar el ajuste de la hora programada previamente.

Para reactivar la hora programada de elaboración de café:

1. Presione el botón de MENU (Menú) 1 vez para ingresar el modo de "Auto Brew Timer" (Temporizador de elaboración automática). Destellarán el indicador de "Auto" (Automático) y "OFF" (Apagado). Presione el botón de "+" (más) o "-" (menos) para seleccionar "ON" (Encendido). Presione el botón de SET (Fijar).
2. A continuación destellarán los dígitos de la hora. Presione el botón de SET (Fijar) para fijar la hora.
3. A continuación destellarán los dígitos de los minutos. Presione el botón de SET (Fijar) para fijar los minutos.
4. A continuación destellarán los indicadores de "AM/PM". Presione el botón de SET (Fijar) para seleccionar AM o PM. Se escucharán dos pitidos cortos, indicando que está terminada la programación.
5. Se encenderá el indicador de "Auto" (Automático) y la cafetera comenzará a elaborar el café a la hora programada. Aparecerá en la pantalla la hora fijada durante 3 segundos, como recordatorio de la misma. La hora programada permanecerá activa hasta que se repitan los pasos 1 a 4 o si se desconecta la electricidad por más de 60 segundos.

**NOTA:** Para reactivar la hora programada, presione y sostenga el botón de BREW (Elaboración). Se encenderá el indicador de "Auto" (Automático) y la cafetera comenzará a elaborar el café a la hora programada.

## Intensidad del café

La cafetera puede programarse para elaborar café con una intensidad común (REG) o fuerte (BOLD).

**NOTA:** Si usted no completa los pasos de programación en menos de 10 segundos, se mantendrán los ajustes y la cafetera se pondrá en el modo de ajuste por defecto.

Para programar y activar la intensidad del café:

1. Presione el botón de MENU (Menú) 2 veces para ingresar al modo de "Brew Strength" (Intensidad del café). El indicador de "Brew Strength" (Intensidad del café) destellará hasta que se termine el ciclo de programación.

2. Destellará la intensidad (REG - Común o BOLD - Fuerte). Presione el botón de "+" (más) o "-" (menos) para seleccionar la intensidad de café deseada (REG - Común o BOLD - Fuerte).
3. Presione y sostenga el botón de SET (Fijar) para programar el ajuste de Brew Strength (Intensidad del café). Se escucharán dos pitidos cortos, indicando que está terminada la programación. La intensidad programada permanecerá activa hasta que se repitan los pasos 1 a 3 o si se desconecta la electricidad por más de 60 segundos.

## Control de calentamiento variable/ Apagado automático seleccionable

Para los modelos con jarra de vidrio solamente, la cafetera puede programarse para mantener el café caliente durante un periodo y a una temperatura específicos. Esta característica no está disponible en los modelos con jarra térmica.

**NOTA:** Si usted no completa los pasos de programación en menos de 10 segundos, se mantendrán los ajustes y la cafetera se pondrá en el modo de ajuste por defecto.

Para programar y activar el ajuste de Warm Timer/Temperature (Temporizador/ Temperatura a mantener caliente):

1. Presione el botón de MENU (Menú) 4 veces para ingresar al modo de "Warm Timer/ Temperature" (Temporizador/Temperatura a mantener caliente). El indicador de "Warm" (Caliente) y los dígitos de la hora destellarán hasta que se termine este ciclo de programación.
2. Presione el botón de "+" (más) o "-" (menos) para seleccionar el tiempo deseado para mantener caliente. El rango de tiempo puede seleccionarse entre 0.5 y 4 horas en incrementos de 30 minutos.
3. Presione el botón de SET (Fijar). El indicador de "Warm" (Caliente) y el ajuste de temperatura (LOW - Baja, MED - Media o HIGH - Alta) destellarán. Presione el botón de "+" (más) o "-" (menos) para seleccionar la temperatura (LOW - Baja, MED - Media o HIGH - Alta).
4. Presione y sostenga el botón de SET (Fijar) para programar el ajuste de Warm Timer/ Temperature (Temporizador/Temperatura a mantener caliente). Se escucharán dos pitidos cortos, indicando que está terminada la programación. La temperatura programada permanecerá activa hasta que se repitan los pasos 1 a 4 o si se desconecta la electricidad por más de 60 segundos.

# Cuidado de la cafetera

## Limpieza de la cafetera

1. Saque la canasta de elaboración y la jarra de la cafetera.
2. Lave la canasta de elaboración y el filtro permanente de tono dorado en agua caliente jabonosa; enjuáguelos con agua caliente. No use limpiadores ni estropajos abrasivos. Estas piezas pueden lavarse también en la canasta superior de la lavavajillas.
3. Desenchufe la cafetera y limpie la cubierta con un paño tibio jabonoso. Después pásele un paño húmedo y séquela con un paño suave. No use limpiadores ni estropajos abrasivos.

## Indicador de limpieza necesaria

Los depósitos de calcio (sarro) del agua se acumularán en la bomba de calor de la cafetera con el correr del tiempo y afectarán la eficacia de la elaboración y la calidad del café. Cuando sea necesario limpiar la cafetera, destellará el indicador de “Clean” (Limpiar) después de terminarse un ciclo de elaboración. Cuando esto suceda, deberá quitar el sarro lo antes posible para conservar el desempeño y la vida útil de su cafetera.

**NOTA:** Es aconsejable limpiar su cafetera antes de que destelle el indicador de “Cleaning Needed” (Limpieza necesaria) en condiciones de uso intenso o de agua dura.

## Cómo quitarle el sarro a la cafetera

Puede quitarse el sarro de la cafetera usando un agente comercial para quitar el sarro o vinagre. Mezcle siempre la solución para quitar el sarro con agua fresca.

- Cuando use un agente para quitar el sarro, siga las instrucciones del paquete para ver las cantidades recomendadas de agente para quitar el sarro y de agua a usar.
- Cuando use vinagre, lene la jarra con una solución compuesta por  $\frac{1}{2}$  de vinagre y  $\frac{1}{2}$  de agua.

1. Saque siempre el filtro de agua antes de quitar el sarro (consulte la sección “Instalación del filtro de agua”) y cerciórese de que la canasta de elaboración no contenga café ni filtros de café.
2. Ponga a funcionar la cafetera en un ciclo completo de Clean (Limpiar) usando un tanque entero de solución para quitar el sarro.

**NOTA:** Si usted no completa los pasos de programación en menos de 10 segundos, se mantendrán los ajustes y la cafetera se pondrá en el modo de ajuste por defecto.

3. Para los modelos con jarra de vidrio, presione el botón de MENU (Menú) 5 veces para ingresar al modo de Clean (Limpiar). Destellarán el indicador de “Clean” (Limpiar) y “ON” (Encendido).

**NOTA:** Para los modelos con jarra térmica, presione el botón de MENU (Menú) 4 veces para ingresar al modo de Clean (Limpiar). Destellarán el indicador de “Clean” (Limpiar) y “ON” (Encendido).

5. Presione el botón de SET (Fijar) para programar el ajuste de Clean (Limpiar). Se escucharán dos pitidos cortos, indicando que está terminada la programación.
6. Presione el botón de BREW (Elaboración) para comenzar el ciclo de limpieza. Una vez que se haya terminado el ciclo de limpieza, se apagará el indicador de “Clean” (Limpio).
7. Enjuague la cafetera poniéndola a funcionar por 2 ciclos de elaboración usando un tanque lleno de agua fresca cada vez.
8. Lave la canasta de elaboración en agua caliente jabonosa y enjuáguela con agua caliente. La canasta de elaboración también puede lavarse en la canasta superior de la lavavajillas.
9. Vuelva a colocar el filtro de agua o reemplácelo. Reemplace el filtro cada 3 meses cuando el uso sea normal. Reemplácelo más a menudo si lo usa con frecuencia o en condiciones de agua dura. El filtro de carbón reemplazable puede adquirirse en su tienda local o en [www.KitchenAid.com](http://www.KitchenAid.com).

# Solución de problemas

---

- **Si no se ha iluminado la pantalla del temporizador de elaboración:**  
Revise que la cafetera se haya enchufado en un contacto de conexión a tierra de 3 terminales. Si lo está, revise el fusible o el cortacircuitos del circuito eléctrico al que está conectada la cafetera y asegúrese de que el circuito esté cerrado.
- **Si sólo se prepara un poco del agua agregada a la cafetera:** Deberá quitarse el sarro a la cafetera de inmediato. Consulte “Cómo quitarle el sarro a la cafetera” en la sección “Cuidado de la cafetera”.
- **Si no se puede corregir el problema:**  
Vea la sección de la garantía de KitchenAid. No devuelva la cafetera a la tienda; los vendedores minoristas no proveen servicio técnico.

## Prueba de compra y registro del producto

---

Guarde siempre una copia del recibo de compra, en el cual se muestra la fecha de compra de su cafetera. La prueba de compra le asegurará el servicio bajo la garantía.

Antes de usar la cafetera, llene y envíe por correo la tarjeta de registro del producto que fue empacada con la unidad. Esta tarjeta nos permitirá contactarlo en el caso improbable de una notificación acerca de la seguridad del producto y nos asistirá para cumplir con las disposiciones de Consumer Product Safety Act (Ley de seguridad de productos al consumidor). Esta tarjeta no confirma su garantía.

Sírvase completar lo siguiente para su información personal:

**Número de modelo** \_\_\_\_\_

**Número de serie** \_\_\_\_\_

**Fecha de compra** \_\_\_\_\_

**Nombre y ubicación de la tienda** \_\_\_\_\_

## Garantía de KitchenAid® para la cafetera en los 50 estados de los Estados Unidos, el Distrito de Columbia, Puerto Rico y Canadá

Esta garantía se extiende al comprador y a cualquier propietario subsiguiente para las cafeteras usadas en los 50 estados de Estados Unidos, el Distrito de Columbia, Puerto Rico y Canadá.

**Duración de la garantía:** Un año de garantía completa a partir de la fecha de compra.

**KitchenAid pagará por lo siguiente, a su elección:** Reemplazo sin dificultades para su cafetera. Consulte la siguiente página para obtener detalles acerca de cómo obtener el servicio o llame al Centro para la eXperiencia del cliente, sin cargo, al **1-800-541-6390**.



O BIEN

Los costos de las piezas de repuesto y del trabajo de reparación para corregir los defectos en los materiales y la mano de obra. El servicio deberá ser provisto por un centro de servicio autorizado por KitchenAid.

**KitchenAid no pagará por:**

- A.** Reparaciones cuando su cafetera haya sido empleada para fines ajenos al uso doméstico normal de una sola familia.
- B.** Daños causados por accidente, alteración, uso indebido o abuso.
- C.** Cualquier gasto de envío o manipulación para llevar la cafetera a un centro de servicio autorizado.
- D.** Piezas de repuesto o costos de mano de obra para cafeteras operadas fuera de los 50 estados de Estados Unidos, el Distrito de Columbia, Puerto Rico y Canadá.

### DESCARGO DE RESPONSABILIDAD DE GARANTÍAS IMPLÍCITAS; LIMITACIÓN DE RECURSOS

LAS GARANTÍAS IMPLÍCITAS, INCLUYENDO EN LA MEDIDA QUE CORRESPONDA LAS GARANTÍAS DE COMERCIABILIDAD O DE CAPACIDAD PARA UN PROPÓSITO PARTICULAR, SON EXCLUIDAS EN LA MEDIDA EN QUE SEA LEGALMENTE PERMISIBLE. TODA GARANTÍA QUE SEA IMPUESTA POR LEY SERÁ LIMITADA A UN AÑO O AL PERÍODO MÁS CORTO PERMITIDO POR LEY. ALGUNOS ESTADOS Y PROVINCIAS NO PERMITEN LAS LIMITACIONES O EXCLUSIONES ACERCA DE CUÁNTO DEBE DURAR UNA GARANTÍA IMPLÍCITA DE COMERCIABILIDAD O CAPACIDAD, DE MODO QUE LAS LIMITACIONES O EXCLUSIONES ARRIBA MENCIONADAS PUEDEN NO APLICARSE EN SU CASO.

SI ESTE PRODUCTO NO FUNCIONA COMO SE HA GARANTIZADO, EL ÚNICO Y EXCLUSIVO RECURSO DEL CLIENTE SERÁ EL DE REPARARLO O REEMPLAZARLO SEGÚN LOS TÉRMINOS DE ESTA GARANTÍA LIMITADA. KITCHENAID Y KITCHENAID CANADA NO SE RESPONSABILIZARÁN POR DAÑOS IMPREVISTOS O EMERGENTES.

Esta garantía le otorga derechos legales específicos, y es posible que usted tenga también otros derechos, los cuales varían de un estado a otro o de una provincia a otra.



## Garantía de reemplazo sin dificultades – En los cincuenta estados de Estados Unidos, el Distrito de Columbia y Puerto Rico

---

Confiamos tanto en que la calidad de nuestros productos cumple con las exigentes normas de KitchenAid que, si la cafetera presentara alguna falla durante el primer año de compra, KitchenAid se encargará de entregar un reemplazo idéntico o similar a su domicilio sin cargo y de devolver su cafetera original a nosotros. La unidad de reemplazo estará también cubierta por nuestra garantía limitada de un año. Sírvase seguir estas instrucciones para recibir este servicio de calidad.

Si su cafetera fallara durante el primer año de compra, simplemente llame a nuestro Centro para la eXperiencia del cliente al

**1-800-541-6390**, de lunes a viernes. Sírvase tener a mano el recibo de compra original cuando llame. Se requerirá la prueba de compra para iniciar un proceso de reclamo. Proporcione al asesor su dirección de envío completa. (No números de apartados postales, por favor.)

Cuando usted reciba la cafetera de reemplazo, use la caja y los materiales de empaque para empacar la cafetera original. En la caja, incluya su nombre y domicilio en una hoja de papel junto con la copia del comprobante de compra (recibo de la caja registradora, recibo de pago de la tarjeta de crédito, etc.).

## Garantía de reemplazo sin dificultades - en Canadá

---

Confiamos tanto en que la calidad de nuestros productos cumple con las exigentes normas de KitchenAid® que, si la cafetera presentara alguna falla durante el primer año de compra, KitchenAid Canada reemplazará su cafetera con una idéntica o un reemplazo similar. La unidad de reemplazo estará también cubierta por nuestra garantía limitada de un año. Sírvase seguir estas instrucciones para recibir este servicio de calidad.

Si su cafetera presentara alguna falla durante el primer año de compra, llévela o envíela a cobro revertido a un Centro de servicio autorizado por KitchenAid. En la caja, incluya

su nombre y domicilio de envío completo en una hoja de papel junto con la copia del comprobante de compra (recibo de la caja registradora, recibo de pago de la tarjeta de crédito, etc.). Su cafetera de reemplazo será devuelta con porte prepago y asegurado. Si no puede obtener un servicio satisfactorio de esta manera, llame a nuestro número gratuito del Centro para la eXperiencia del cliente al **1-800-807-6777**.

O bien escribanos a:  
Customer eXperience Centre  
KitchenAid Canada  
200 - 6750 Century Ave.  
Mississauga, ON L5N 0B7

## Cómo obtener servicio técnico después de que expire la garantía o cómo pedir accesorios y piezas de repuesto

---

### En los Estados Unidos y Puerto Rico:

Para obtener información acerca del servicio técnico o para pedir accesorios o piezas de repuesto, llame sin costo al 1-800-541-6390 o escriba a:

Customer eXperience Center,  
KitchenAid Portable Appliances,  
P.O. Box 218, St. Joseph, MI 49085-0218

### Fuera de los Estados Unidos y Puerto Rico:

Consulte a su distribuidor local de KitchenAid o a la tienda donde compró la cafetera para obtener información sobre cómo obtener el servicio técnico.

### Para obtener información acerca del servicio en Canadá:

Llame sin costo al **1-800-807-6777**.

O bien escriba a:

Customer eXperience Centre  
KitchenAid Canada  
200 - 6750 Century Ave.  
Mississauga, ON L5N 0B7







FOR THE WAY IT'S MADE.®

® Registered trademark/™ Trademark/The shape of the mixer is a registered trademark of KitchenAid, U.S.A.

® Marque déposée/™ Marque déposée/La forme du batteur est une marque déposée de KitchenAid, Etats-Unis

® Marca registrada/™ Marca de comercio/La forma de la batidora es una marca de comercio de KitchenAid, U.S.A.

**W10474602B**

© 2012

All rights reserved.

Tous droits réservés.

Todos los derechos reservados.