

KitchenAid®

SUPERBA® BUILT-IN ELECTRIC CONVECTION SINGLE AND DOUBLE OVENS

Use & Care Guide

For questions about features, operation/performance, parts, accessories or service, call: **1-800-422-1230**
or visit our website at www.kitchenaid.com

In Canada, call for assistance, installation and service, call: **1-800-807-6777**
or visit our website at www.KitchenAid.ca

FOURS ÉLECTRIQUES À CONVECTION SIMPLES ET DOUBLES, ENCASTRÉS SUPERBA®

Guide d'utilisation et d'entretien

Au Canada, pour assistance, installation ou service composez le **1-800-807-6777** ou visitez notre site web à...
www.KitchenAid.ca

Table of Contents/Table des matières..... 2



Models/Modèles KEBS107 KEBS177 KEBS207 KEBS277 KEBS208 KEBS278

W10162180A

TABLE OF CONTENTS

OVEN SAFETY	3
PARTS AND FEATURES	4
ELECTRONIC OVEN CONTROL	5
Display	6
Start	6
Lower Oven Off, Upper Oven Off and Off	6
Clock	6
Tones	6
Fahrenheit and Celsius	6
Options	6
Timer	7
Control Lock	7
Oven Temperature Control	7
Sabbath Mode	7
OVEN USE	8
Aluminum Foil	8
Positioning Racks and Bakeware	8
Roll-Out Rack	9
Bakeware	10
Meat Thermometer	10
Oven Vent(s)	10
Baking and Roasting	10
Full and Center Broiling	11
Convection Cooking	12
Convection Bake	12
Convection Roast	12
Convection Broil	14
EasyConvect™ Conversion	14
Proofing Bread	15
Temperature Probe	15
Timed Cooking	16
Dehydrating	16
OVEN CARE	17
Self-Cleaning Cycle	17
General Cleaning	18
Oven Lights	19
Oven Door	19
TROUBLESHOOTING	20
ASSISTANCE OR SERVICE	21
In the U.S.A.	21
Accessories	21
In Canada	21
WARRANTY	21

TABLE DES MATIÈRES

SÉCURITÉ DU FOUR	23
PIÈCES ET CARACTÉRISTIQUES	24
COMMANDE ÉLECTRONIQUE DU FOUR	25
Afficheur	25
Mise en marche	26
Arrêt du four inférieur, arrêt du four supérieur et arrêt	26
Horloge	26
Signaux sonores	26
Fahrenheit et Celsius	26
Options	26
Minuterie	27
Verrouillage des commandes	27
Commande de la température du four	27
Mode Sabbath	27
UTILISATION DU FOUR	29
Papier d'aluminium	29
Positionnement des grilles et des ustensiles de cuisson	29
Grille coulissante	30
Ustensiles de cuisson	31
Thermomètre à viande	31
Évent(s) du four	31
Cuisson au four et rôtissage	32
Cuisson au gril complet et central	32
Cuisson par convection	33
Cuisson au four par convection	34
Rôtissage par convection	34
Cuisson au gril par convection	35
Conversion de la température de convection EasyConvect™	36
Levée du pain	36
Sonde thermométrique (four simple et supérieur et, sur certains modèles, four inférieur)	37
Cuisson minutée	37
Déshydratation	38
ENTRETIEN DU FOUR	39
Programme d'autonettoyage	39
Nettoyage général	40
Lampes du four	41
Porte du four	41
DÉPANNAGE	42
ASSISTANCE OU SERVICE	43
GARANTIE	43

OVEN SAFETY

Your safety and the safety of others are very important.

We have provided many important safety messages in this manual and on your appliance. Always read and obey all safety messages.



This is the safety alert symbol.

This symbol alerts you to potential hazards that can kill or hurt you and others.

All safety messages will follow the safety alert symbol and either the word “DANGER” or “WARNING.”

These words mean:

⚠ DANGER

You can be killed or seriously injured if you don't immediately follow instructions.

⚠ WARNING

You can be killed or seriously injured if you don't follow instructions.

All safety messages will tell you what the potential hazard is, tell you how to reduce the chance of injury, and tell you what can happen if the instructions are not followed.

IMPORTANT SAFETY INSTRUCTIONS

WARNING: To reduce the risk of fire, electrical shock, injury to persons, or damage when using the oven, follow basic precautions, including the following:

- Proper Installation – Be sure the oven is properly installed and grounded by a qualified technician.
- Never Use the Oven for Warming or Heating the Room.
- Do Not Leave Children Alone – Children should not be left alone or unattended in area where oven is in use. They should never be allowed to sit or stand on any part of the oven.
- Wear Proper Apparel – Loose-fitting or hanging garments should never be worn while using the oven.
- User Servicing – Do not repair or replace any part of the oven unless specifically recommended in the manual. All other servicing should be referred to a qualified technician.
- Storage in Oven – Flammable materials should not be stored in an oven.
- Do Not Use Water on Grease Fires – Smother fire or flame or use dry chemical or foam-type extinguisher.
- Use Only Dry Potholders – Moist or damp potholders on hot surfaces may result in burns from steam. Do not let potholder touch hot heating elements. Do not use a towel or other bulky cloth.
- Use Care When Opening Door – Let hot air or steam escape before removing or replacing food.
- Do Not Heat Unopened Food Containers – Build-up of pressure may cause container to burst and result in injury.
- Keep Oven Vent Ducts Unobstructed.
- Placement of Oven Racks – Always place oven racks in desired location while oven is cool. If rack must be moved while oven is hot, do not let potholder contact hot heating element in oven.
- DO NOT TOUCH HEATING ELEMENTS OR INTERIOR SURFACES OF OVEN – Heating elements may be hot even though they are dark in color. Interior surfaces of an oven become hot enough to cause burns. During and after use, do not touch, or let clothing or other flammable materials contact heating elements or interior surfaces of oven until they have had sufficient time to cool. Other surfaces of the oven may become hot enough to cause burns – among these surfaces are oven vent openings and surfaces near these openings, oven doors, and windows of oven doors.

For self-cleaning ovens:

- Do Not Clean Door Gasket – The door gasket is essential for a good seal. Care should be taken not to rub, damage, or move the gasket.
- Do Not Use Oven Cleaners – No commercial oven cleaner or oven liner protective coating of any kind should be used in or around any part of the oven.
- Clean Only Parts Listed in Manual.
- Before Self-Cleaning the Oven – Remove broiler pan and other utensils.

SAVE THESE INSTRUCTIONS

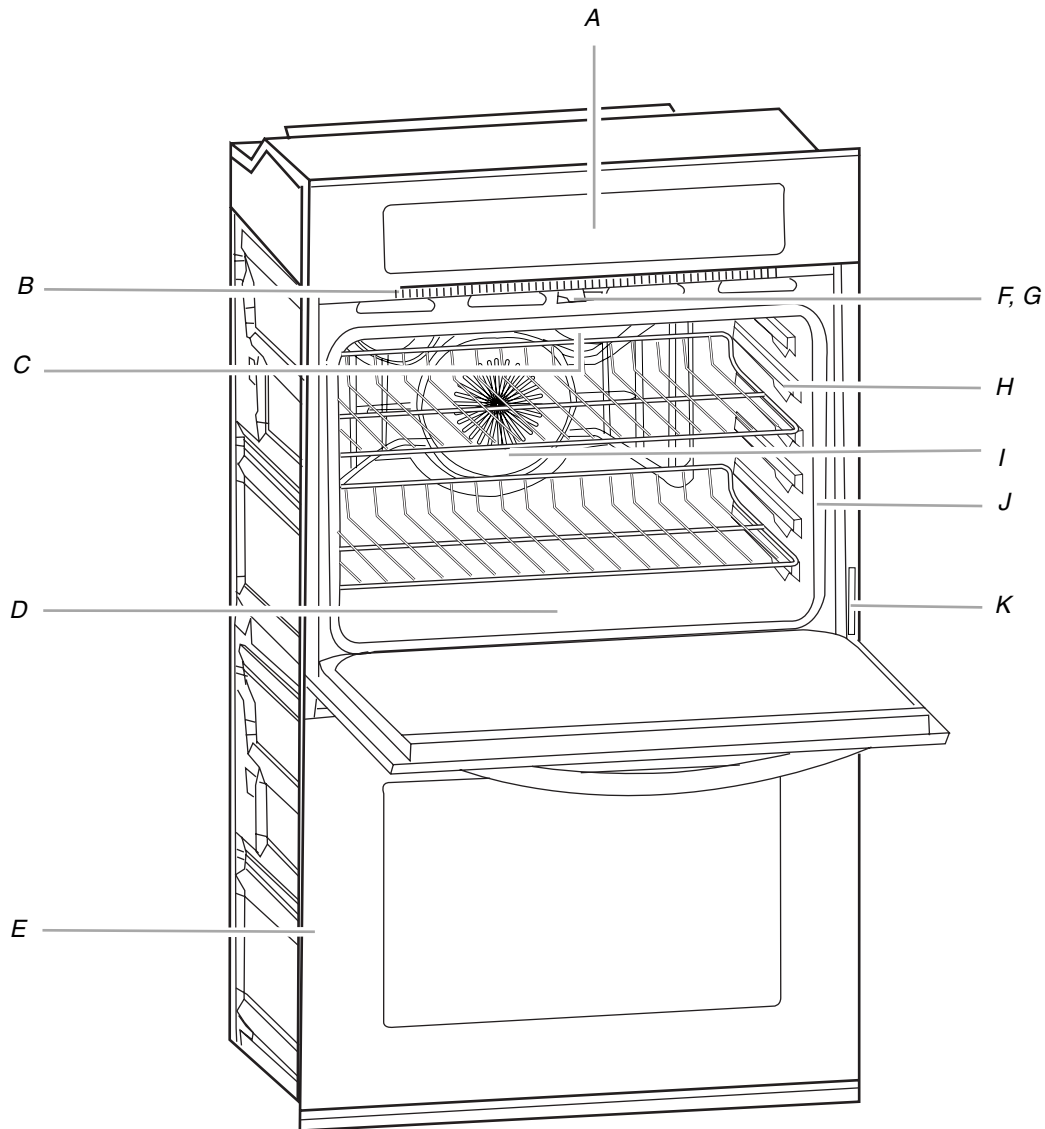
The California Safe Drinking Water and Toxic Enforcement Act requires the Governor of California to publish a list of substances known to the State of California to cause cancer, birth defects, or other reproductive harm, and requires businesses to warn of potential exposure to such substances.

WARNING: This product contains a chemical known to the State of California to cause cancer, birth defects, or other reproductive harm.

This appliance can cause low-level exposure to some of the substances listed, including benzene, formaldehyde, carbon monoxide, and toluene.

PARTS AND FEATURES

This manual covers different models. The oven you have purchased may have some or all of the items listed. The locations and appearances of the features shown here may not match those of your model.



- A. Electronic oven control
- B. Oven vent
- C. Broil elements (not shown)
- D. CleanBake™ bake element (hidden beneath floor panel)
- E. Lower oven (on double oven models)
- F. Automatic oven light switch

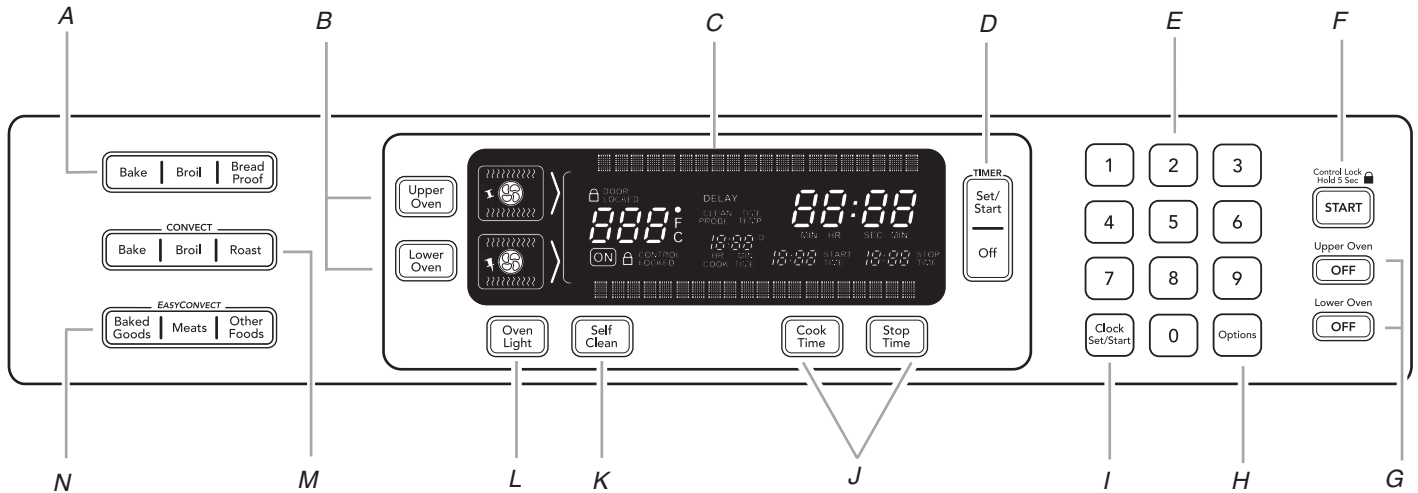
- G. Oven door lock latch
- H. Temperature probe jack (cavity with convection element and fan only)
- I. T.H.E.™ (Third Hidden Element) convection element and fan (in back panel)
- J. Gasket
- K. Model and serial number plate (on right mounting rail)

Parts and Features not shown

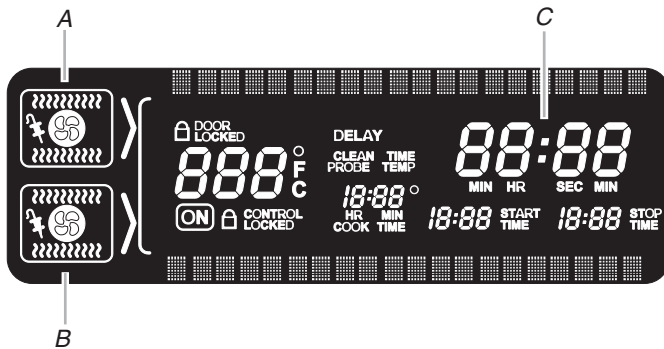
- Oven lights
- Third oven rack (roll out rack)
- Roasting rack
- Temperature probe

ELECTRONIC OVEN CONTROL

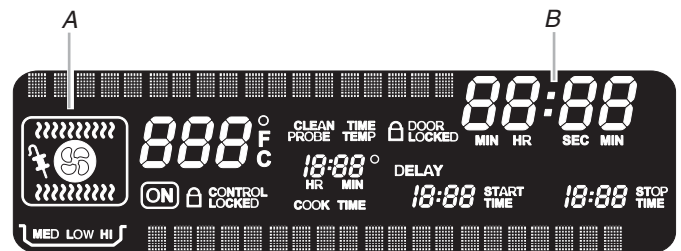
This manual covers different models. The oven you have purchased may have some or all of the items listed. The locations and appearances of the items shown here may not match those of your model.



- A. Oven settings
- B. Upper or lower oven selectors (double oven models only)
- C. Oven display
- D. Timer
- E. Number keys
- F. Start/control lock
- G. Upper and lower oven Off (double oven models) Off (single oven models)
- H. Options
- I. Clock set/start
- J. Timed cooking
- K. Self-clean
- L. Oven light
- M. Convection cooking settings
- N. EasyConvect™ conversion



Double Oven Display
 A. Upper oven cavity symbol
 B. Lower oven cavity symbol
 C. Time of day, timer display



Single Oven Display
 A. Oven cavity symbol
 B. Time of day, timer display

Display

When power is first supplied to the oven, the clock will be flashing the message “clock-enter time.” Time can be entered by touching either CLOCK SET/START or START to allow operation. To allow operation without setting a time, touch CLOCK SET/START, START or OFF.

Oven Display

When the oven(s) are in use, this display shows the oven temperature, heat source(s) and start time. On double oven models, this display will also show which oven is being set. The upper cavity symbol represents the upper oven; the lower cavity symbol represents the lower oven.

In addition, during Timed Cooking, this display shows a time countdown and the stop time (if entered).

If “Err” appears on the oven display, an error condition has occurred. Call for service, see the “Assistance or Service” section.

Time of Day, Timer Display

When the oven(s) are not in use this display shows the time of day or Timer countdown.

Start

The START key begins all oven functions except Sabbath Mode. If the Start key is not touched within 5 seconds after touching another key, “START?” will appear on the oven display as a reminder. If the Start key is not touched within 5 minutes after touching another key, the oven display will return to inactive mode and the programmed function will be canceled.

Lower Oven Off, Upper Oven Off and Off

The LOWER OVEN OFF, UPPER OVEN OFF and OFF keys stop their respective oven functions except for the Clock, Timer, and Control Lock. The oven cooling fan may continue to operate even after an oven function has been canceled or completed, depending on the oven temperature.

Clock

This is a 12-hour clock. Before setting, make sure the oven(s), Timer and Timed Cooking are off.

To Set:

1. Touch CLOCK SET/START.
 2. Touch the number keys to set the time of day.
 3. Touch CLOCK SET/START again.
-

Tones

Tones are audible signals, indicating the following:

One beep

- Valid key touch
- Oven is preheated
- Function has been entered

One chime

- Preheat cycle has been completed

Three beeps

- Invalid key touch
- End of a cooking cycle

Three chimes

- When timer reaches zero
Includes using the Timer for functions other than cooking.
-

Tone Volume

The volume is preset at high, but can be changed to low.

To Change: Touch OPTIONS and then “3” to toggle volume between high and low settings.

All Tones

All tones are preset on, but can be turned off.

To Turn Off/On: Touch OPTIONS and then “2” to toggle tones between on/off settings.

End-of-Cycle and Reminder Tones

The Timed Cooking end-of-cycle and reminder tones are preset on, but can be turned off. If all tones have been turned off, the end-of-cycle and reminder tones cannot be independently turned on.

To Turn Tones Off/On: Touch OPTIONS and then “4” to turn On. Touch OPTIONS and then “4” to turn Off.

Fahrenheit and Celsius

The temperature is preset in Fahrenheit, however it can be changed to Celsius.

To Change: Touch OPTIONS and then “1” to toggle temperature between Fahrenheit and Celsius settings.

When in Fahrenheit, “°F” follows the oven temperature.

When in Celsius, “°C” follows the oven temperature.

Options

The OPTIONS selection key allows you access to 7 hidden functions within the Electronic Oven Control. These hidden functions allow you to change the oven temperature between Fahrenheit and Celsius, turn the audible signals and prompts on and off and adjust the oven calibration. The Sabbath Mode is also set using the OPTIONS selection key.

To Use: Touch OPTIONS. The oven display will scroll through the various options, starting at 1 and ending automatically at 7. You can also touch the Options key repeatedly to manually scroll through the list of options.

OPTIONS	HIDDEN FUNCTION
1	Fahrenheit and Celsius conversion
2	Sound On/Off
3	Sound High/Low
4	End beep On/Off
5*	Dehydrate
6	Oven temperature calibration
7**	Sabbath Mode

*On convection models

**Sabbath Mode must be enabled

Timer

The Timer can be set in minutes and seconds or hours and minutes and counts down the set time.

NOTE: The Timer does not start or stop the oven.

To Set:

1. Touch TIMER SET/START.
Touch again to switch between MIN/SEC and HR/MIN.
If no action is taken, the control will continue to wait for a length of time to be entered.
2. Touch the number keys to set the length of time.
3. Touch TIMER SET/START.
If the key is not touched, the control will continue to wait for Timer Set/Start to be touched.
When the set time ends, if enabled, end-of-cycle tones will continuously repeat until the "Timer Off" key is touched.
4. Touch TIMER OFF anytime to cancel the Timer or stop the reminder tones.
If UPPER OVEN OFF or LOWER OVEN OFF key is touched, the respective oven will turn off; however, the timer can be turned off only by using the "Timer Off" key.

Control Lock

The Control Lock shuts down the control panel keys to avoid unintended use of the oven(s). The Control Lock will remain set after a power failure, if set before the power failure occurs.

When the control is locked, only the TIMER SET/START, TIMER OFF and OVEN LIGHT keys will function.

The Control Lock is preset unlocked, but can be locked.

To Lock Control: Touch and hold START for approximately 5 seconds, until "control locked" appears on the lower text line and a lock icon appears in the display.

To Unlock Control: Repeat to unlock and remove "control locked" and lock icon from the display.

Oven Temperature Control

IMPORTANT: Do not use a thermometer to measure oven temperature because opening the oven door during cycling may give incorrect readings.

The oven provides accurate temperatures; however, it may cook faster or slower than your previous oven, so the temperature calibration can be adjusted. It can be changed in Fahrenheit or Celsius.

A minus sign means the oven will be cooler by the displayed amount. The absence of a minus sign means the oven will be warmer by the displayed amount. Use the following chart as a guide.

ADJUSTMENT °F (AUTOMATIC °C CHANGE)	COOKS FOOD
10°F (5°C)	...a little more
20°F (10°C)	...moderately more
30°F (15°C)	...much more
0°F (0°C)	default setting
-10°F (-5°C)	...a little less
-20°F (-10°C)	...moderately less
-30°F (-15°C)	...much less

To Adjust Oven Temperature Calibration:

1. Touch OPTIONS and then "6" to set the calibration.
2. On double ovens only, touch UPPER OVEN or LOWER OVEN to select oven.
Each oven calibration can be independently set.
3. Touch "3" to increase and "6" to decrease the temperature.
4. Touch START to end calibration.

Sabbath Mode

The Sabbath Mode sets the oven(s) to remain on in a bake setting until turned off. A timed Sabbath Mode can also be set to keep the oven on for only part of the Sabbath.

When the Sabbath Mode is set, only the number and start keys will function, no tones will sound, and the displays will not show messages or temperature changes. The heat sources icons will appear lit on the oven display throughout the Sabbath Mode.

When the oven door is opened or closed, the oven light will not turn on or off and the heating elements will not turn on or off immediately.

If a power failure occurs when the Sabbath Mode is set, the oven(s) will remain in Sabbath Mode but will no longer be actively cooking. The "ON" indicator will no longer be lit. Touch OFF to return to normal operating mode (non-Sabbath Mode, not cooking).

To Activate:

Before the Sabbath Mode can be regularly set, the oven(s) must first be enabled with a one time only setup. On double oven models, the following steps will enable both ovens.

1. On double ovens, open the upper or lower oven door.
On single ovens, open the oven door.
2. On double ovens, touch UPPER OVEN OFF or LOWER OVEN OFF.
On single ovens, touch OFF.
3. Touch the number keys 7, 8, 9, 6, in this order.
4. Touch START to activate.
"SABBATH ENABLED" will appear on the display and remain for approximately 5 seconds. You may also touch OFF, UPPER OVEN OFF or LOWER OVEN OFF to clear the display.
5. Close oven door.

To Deactivate:

The oven(s) can be disabled of the ability to set the Sabbath Mode by repeating the previous steps. See the "To Activate" section. When disabled "SABBATH DISABLED" will appear on the display and remain on for approximately 5 seconds.

The Sabbath Mode cannot be regularly set until re-enabled.

On double oven models these steps will disable both ovens.

To Regularly Set, Untimed:

Sabbath Mode must be enabled before starting the Bake cycle. See the "To Activate" section.

1. On double ovens only, touch UPPER OVEN or LOWER OVEN.
Each oven can be independently set.
2. Touch BAKE.
Touch the number keys to enter a temperature other than 350°F (177°C). The bake range can be set between 170°F and 500°F (77°C and 260°C).
3. Touch START.
4. Touch OPTIONS and then number key "7." "SABBATH MODE" will appear on the oven display.

To Regularly Set, Timed:

! WARNING

Food Poisoning Hazard

Do not let food sit in oven more than one hour before or after cooking.

Doing so can result in food poisoning or sickness.

Sabbath Mode must be enabled before starting the Bake cycle. See the "To Activate" section.

1. On double ovens only, touch UPPER OVEN or LOWER OVEN. Each oven can be independently set.
2. Touch BAKE.
Touch the number keys to enter a temperature other than 350°F (177°C). The bake range can be set between 170°F and 500°F (77°C and 260°C).
3. Touch COOK TIME.
4. Touch the number keys to enter the length of Sabbath Mode time, up to 11 hours 59 minutes.
5. Touch START. The oven will begin a timed bake cycle. The start time and stop time will appear on the display.
6. Touch OPTIONS and then touch number key "7." "SABBATH MODE" will appear on the oven display.
7. When the stop time is reached, the oven will automatically turn off. The oven control will remain in Sabbath Mode until the Off button is touched.

Temperature Change

The oven temperature can be changed when the oven(s) are in the Sabbath Mode. No tones will sound, and the display will not change. The heating elements will not turn on or off for a random time, anywhere from 16 to 24 seconds. It may take up to one-half hour for the oven to change temperature.

Number keys 1 through 0 represent temperatures. Use the following chart as a guide.

NUMBER KEY	OVEN TEMPERATURE
1	170°F (77°C)
2	200°F (95°C)
3	225°F (107°C)
4	250°F (120°C)
5	300°F (149°C)
6	325°F (163°C)
7	350°F (177°C)
8	375°F (191°C)
9	400°F (204°C)
0	450°F (232°C)

To Change Temperature:

Initially on double ovens, the cavities can be set for independent temperatures. However, once Sabbath Mode is running, if the temperature is changed both cavities will use the new temperature.

1. Touch the number key from the chart.
2. Touch START.

OVEN USE

Odors and smoke are normal when the oven is used the first few times, or when it is heavily soiled.

During oven use, the heating elements will not remain on, but will cycle on and off throughout oven operation.

IMPORTANT: The health of some birds is extremely sensitive to the fumes given off. Exposure to the fumes may result in death to certain birds. Always move birds to another closed and well-ventilated room.

Aluminum Foil

IMPORTANT: To avoid permanent damage to the oven bottom finish, do not line the oven bottom with any type of foil, liners or cookware.

- For best cooking results, do not cover entire rack with foil because air must be able to move freely for best cooking results.
- To catch spills, place foil on rack below dish. Make sure foil is at least ½" (1.3 cm) larger than the dish and that it is turned up at the edges.

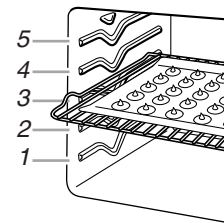
Positioning Racks and Bakeware

IMPORTANT: To avoid permanent damage to the porcelain finish, do not place food or bakeware directly on the oven door or bottom.

RACKS

- Position racks before turning on the oven.
- Do not position racks with bakeware on them.
- Make sure racks are level.

To move a rack, pull it out to the stop position, raise the front edge, then lift out. Use the following illustration and charts as a guide.



Traditional Cooking

FOOD	RACK POSITION*
Large roasts, turkeys, angel food, bundt cakes, quick breads, pies	1 or 2
Yeast breads, casseroles, meat and poultry	2
Cookies, biscuits, muffins, cakes	2 or 3

*On models with the CleanBake™ feature, foods may be placed on a lower rack position.

Convection Cooking

OVEN SETTING	NUMBER OF RACKS USED	RACK POSITION(S)
Convection Bake	1	1, 2 or 3
Convection Bake	2	1 or 2 and 4
Convection Bake	3	1, 3 and 5
Convection Roast	1	1, 2 or 3
Convection Broil	1	3 or 4

BAKEWARE

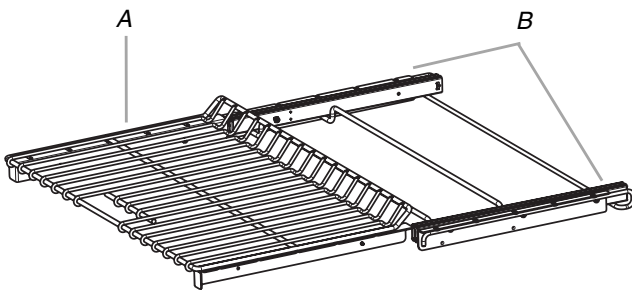
To cook food evenly, hot air must be able to circulate. For traditional cooking, allow 2" (5 cm) of space around bakeware and oven walls. For convection cooking, allow 1" (2.5 cm) of space around bakeware and oven walls. Use the following chart as a guide.

NUMBER OF PAN(S)	POSITION ON RACK
1	Center of rack.
2	Side by side or slightly staggered.
3 or 4	Placement that gives best result. Make sure that no bakeware piece is directly over another.

Roll-Out Rack

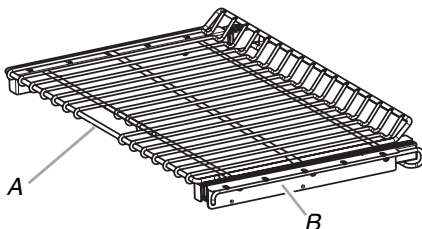
The roll-out rack allows easy access to position and remove food in the oven. It can be used in rack positions 1 through 4. Do not put the roll-out rack in position 5 because it will not fit.

Open Position



A. Roll-out rack
B. Sliding shelf

Closed and Engaged Position

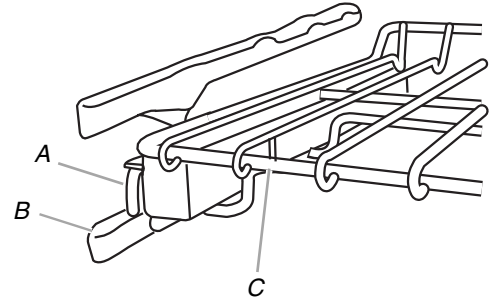


A. Roll-out rack
B. Sliding shelf

To Remove Roll-Out Rack:

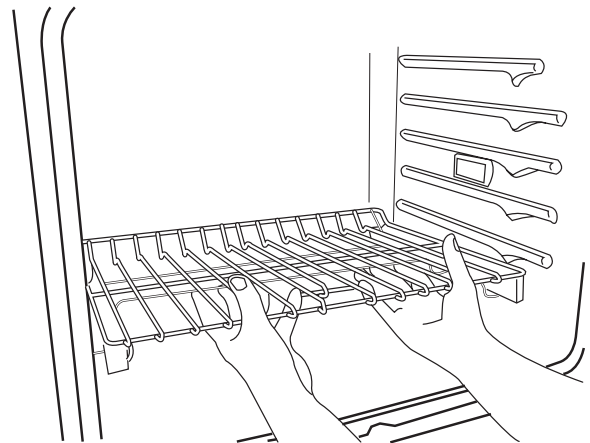
1. Slide the rack in completely so that it is closed and engaged with the sliding shelf.
2. Using 2 hands, lift up on the front edge of the rack and the sliding shelf together. Slowly push both to the back wall of the oven so the front edge of the sliding shelf sits on the rack guide located on the sides of the oven.

The front edge of the rack and the sliding shelf should be higher than the back edge.



A. Sliding shelf
B. Rack guide
C. Roll-out rack

3. Using 2 hands, lift up the back of the rack and the sliding shelf so that the back and front are level on the rack guide.



4. Pull the rack and the sliding shelf out.

To Replace Roll-out Rack

1. Using 2 hands, grasp the front of the closed rack and the sliding shelf. Place the closed rack and the sliding shelf on the rack guide.
2. Slowly push the rack and the sliding shelf to the back of the oven until the back edge of the sliding shelf drops.
3. Pull the rack and the sliding shelf slightly forward until the front edge drops and the sliding shelf is on the rack guide.

To avoid damage to the sliding shelves, do not place more than 25 lbs (11.4 kg) on the rack.

Do not clean the roll-out rack in a dishwasher. It may remove the rack's lubricant and affect its ability to slide.

See the "General Cleaning" section for more information.

Bakeware

The bakeware material affects cooking results. Follow manufacturer's recommendations and use the bakeware size recommended in the recipe. Use the following chart as a guide.

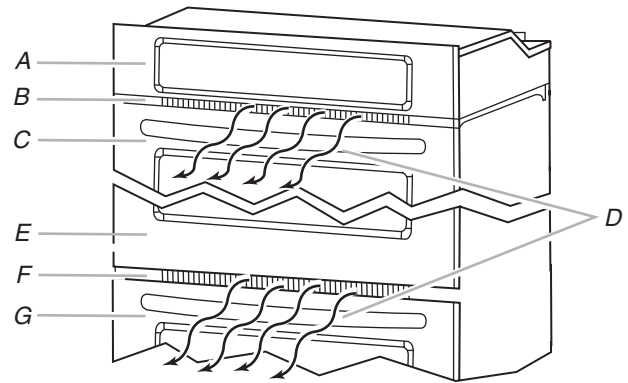
BAKEWARE/ RESULTS	RECOMMENDATIONS
Light colored aluminum <ul style="list-style-type: none"> ■ Light golden crusts ■ Even browning 	<ul style="list-style-type: none"> ■ Use temperature and time recommended in recipe.
Dark aluminum and other bakeware with dark, dull and/or nonstick finish <ul style="list-style-type: none"> ■ Brown, crisp crusts 	<ul style="list-style-type: none"> ■ May need to reduce baking temperatures slightly. ■ Use suggested baking time. ■ For pies, breads and casseroles, use temperature recommended in recipe. ■ Place rack in center of oven.
Insulated cookie sheets or baking pans <ul style="list-style-type: none"> ■ Little or no bottom browning 	<ul style="list-style-type: none"> ■ Place in the bottom third of oven. ■ May need to increase baking time.
Stainless steel <ul style="list-style-type: none"> ■ Light, golden crusts ■ Uneven browning 	<ul style="list-style-type: none"> ■ May need to increase baking time.
Stoneware/Baking stone <ul style="list-style-type: none"> ■ Crisp crusts 	<ul style="list-style-type: none"> ■ Follow manufacturer's instructions.
Ovenproof glassware, ceramic glass or ceramic <ul style="list-style-type: none"> ■ Brown, crisp crusts 	<ul style="list-style-type: none"> ■ May need to reduce baking temperatures slightly.

Meat Thermometer

On models without a temperature probe, use a meat thermometer to determine whether meat, poultry and fish, are cooked to the desired degree of doneness. The internal temperature, not appearance, should be used to determine doneness. A meat thermometer is not supplied with this appliance.

- Insert the thermometer into the center of the thickest portion of the meat or inner thigh and breast of poultry. The tip of the thermometer should not touch fat, bone or gristle.
- After reading the thermometer once, push it into the meat 1/2" (1.3 cm) more and read again. If the temperature drops, cook the meat or poultry longer.
- Check all meat, poultry and fish in 2 or 3 different places.

Oven Vent(s)

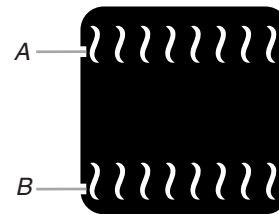


Single and Double Oven
 A. Control panel
 B. Oven vent
 C. Single oven or upper double oven
 D. Warm air

Double Oven
 D. Warm air
 E. Upper oven
 F. Oven vent
 G. Lower oven

The oven vent(s) should not be blocked or covered since they allow the release of hot air and moisture from the oven. Blocking or covering vents will cause poor air circulation, affecting cooking and cleaning results.

Baking and Roasting



A. Broil elements
 B. Bake element

During baking or roasting, the bake and broil elements will cycle on and off in intervals to maintain the oven temperature.

If the oven door is opened during baking or roasting, the heating elements (bake and both broils) will turn off approximately 30 seconds after the door is opened. They will turn on again approximately 30 seconds after the door is closed.

To Bake or Roast:

Before baking or roasting, position racks according to the "Positioning Racks and Bakeware" section. When roasting, it is not necessary to wait for the oven to preheat before putting food in, unless recommended in the recipe.

1. On double ovens only, touch UPPER OVEN or LOWER OVEN. The cavity symbol will indicate which oven was chosen.
2. Touch BAKE.

Touch the number keys to enter a temperature other than 350°F (177°C). The bake range can be set between 170°F and 500°F (77°C and 260°C).

3. Touch START.

“Lo” will appear on the oven display if the actual oven temperature is under 170°F (77°C).

When the actual oven temperature reaches 170°F (77°C), the oven display will begin displaying the temperature as it increases.

When the set temperature is reached, if on, one tone will sound.

4. Touch OFF, UPPER OVEN OFF or LOWER OVEN OFF when finished cooking.

1. On double ovens only, touch UPPER OVEN or LOWER OVEN.
The cavity symbol will indicate which oven was chosen.

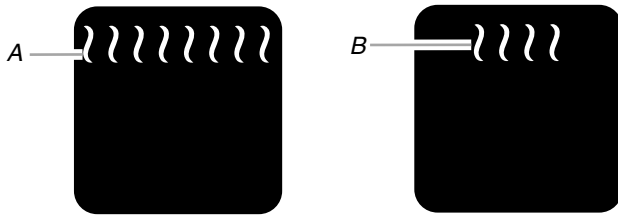
2. Touch BROIL once for Full broiling, twice for Center broiling.
Touch the number keys to enter a temperature other than 500°F (260°C). The broil range can be set between 170°F and 500°F (77°C and 260°C).

3. Touch START.

The set oven temperature will appear on the oven display until the oven is turned off.

4. Touch OFF, UPPER OVEN OFF or LOWER OVEN OFF when finished cooking.

Full and Center Broiling



A. Full broil
B. Center broil

Broiling uses direct radiant heat to cook food.

During full broiling, both the inner and outer broil elements heat. During center broiling, only the inner broil element heats. The element(s) cycle on and off in intervals to maintain the oven temperature.

If the oven door is opened during broiling, the broil element(s) will turn off in approximately 30 seconds. When the oven door is closed, the elements will come back on approximately 30 seconds later.

- For best results, use a broiler pan and grid. It is designed to drain juices and help avoid spatter and smoke.

If you would like to purchase a Broiler Pan Kit, it may be ordered. See “Assistance or Service” section to order. Ask for Part Number W10123240.
- For proper draining, do not cover the grid with foil. The bottom of the broiler pan may be lined with aluminum foil for easier cleaning.
- Trim excess fat to reduce spattering. Slit the remaining fat on the edges to avoid curling.
- Pull out oven rack to stop position before turning or removing food. Use tongs to turn food to avoid the loss of juices. Very thin cuts of fish, poultry or meat may not need to be turned.
- After broiling, remove the pan from the oven when removing the food. Drippings will bake on the pan if left in the heated oven, making cleaning more difficult.

To Broil:

Before broiling, position rack according to the Broiling Chart. When broiling, changing the temperature allows more precise control. The lower the temperature, the slower the cooking. Thicker cuts and unevenly shaped pieces of meat, fish and poultry may cook better at lower broiling temperatures.

Position food on the grid on the broiler pan, then place it in the center of the oven rack with the longest side parallel to the door. It is not necessary to wait for the oven to preheat before putting food in, unless recommended in the recipe.

Close the door.

BROILING CHART

For best results, place food 3" (7 cm) or more from the broil elements, rack position 4 is recommended. For diagram, see the “Positioning Racks and Bakeware” section.

A temperature setting of 500°F (260°C) is recommended.

Times are guidelines only and may need to be adjusted for individual foods and tastes.

FOOD	COOK TIME (in minutes)
Beef	
Steak 1" to 1¼" (2.5 cm to 3 cm) thick	15-17
medium-rare	17-19
medium	20-24
well-done	
Pork	
Pork chops 1" (2.5 cm) thick	16-18
medium	
Lamb	
Lamb chops 1" (2.5 cm) thick	10-12
medium-rare	11-13
medium	
Ground Meats	
Ground beef, pork or lamb patties* ¾" (2 cm) thick	16-18
well-done	
Chicken	
Chicken bone-in pieces (2" to 2½" [5 cm to 6.3 cm])	20-30
boneless pieces (4 oz. [113 g])	12-15
Fish	
Fish ½" to ¾" (1.25 to 2 cm) thick	6-9

*Place up to 12 patties, equally spaced, on broiler grid.

Convection Cooking

(single, upper and, on some models, lower oven)

In a convection oven, the fan-circulated hot air continually distributes heat more evenly than the natural movement of air in a standard thermal oven. This movement of hot air helps maintain a consistent temperature throughout the oven, cooking foods more evenly, crisping surfaces while sealing in moisture and yielding crustier breads.

Most foods can be cooked by lowering cooking temperatures 25°F to 50°F (14°C to 28°C), and cooking time can be shortened by as much as 30 percent, especially for large turkeys and roasts.

- It is important not to cover foods with lids or aluminum foil so that surface areas remain exposed to the circulating air, allowing browning and crisping.
- Keep heat loss to a minimum by opening the oven door only when necessary.
- Choose cookie sheets without sides and roasting pans with lower sides to allow air to move freely around the food.
- Test baked goods for doneness a few minutes before the minimum cooking time using a method such as a toothpick.

⚠ WARNING



Burn Hazard

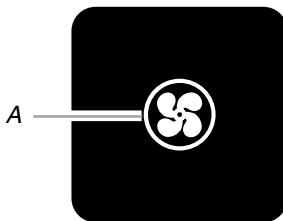
Use an oven mitt to remove temperature probe.

Do not touch broil element.

Failure to follow these instructions can result in burns.

- Use a meat thermometer or the temperature probe to determine the doneness of meats and poultry. Check the temperature of pork and poultry in 2 or 3 places.

Convection Bake



A. T.H.E.™ Convection element (hidden) and fan

The T.H.E.™ (Third Hidden Element) convection element is hidden in the rear panel of the oven cavity, and assisted by the convection fan, provides balanced, efficient heating.

Convection baking can be used for baking delicate cakes and pastries, as well as foods on multiple racks. It is helpful to stagger items on the racks to allow a more even flow of heat. If the oven is full, extra cooking time may be needed.

When cooking an oven meal with several different types of foods, be sure to select recipes that require similar temperatures. Cookware should sit in the oven with at least 1" (2.5 cm) of space between the cookware and the sides of the oven.

During convection baking preheat, the T.H.E.™ convection element and broil element and the CleanBake™ element all heat the oven cavity. After preheat, the T.H.E.™ convection element and the CleanBake™ element will cycle on and off in intervals to maintain oven temperature, while the fan constantly circulates the hot air.

If the oven door is opened during convection baking, the fan turns off immediately when the door is opened and turns on immediately when the door is closed. Convection, Bake and Broil (only during preheating) elements will turn off approximately 30 seconds after the door is opened. They will turn on again approximately 30 seconds after the door is closed.

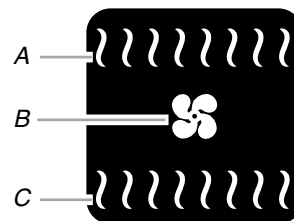
- Reduce recipe temperature 25°F (14°C). The cook time may need to be reduced also.

To Convection Bake:

Before convection baking, position racks according to the "Positioning Racks and Bakeware" section. When using 2 racks, place on guides 2 and 4. When using 3 racks, place on guides 1, 3 and 5.

1. On double ovens only, touch UPPER OVEN or LOWER OVEN. The cavity symbol indicates which oven was chosen.
2. Touch CONVECTION BAKE. Touch the number keys to enter a temperature other than 325°F (163°C). The convection bake range can be set between 170°F and 500°F (77°C and 260°C).
3. Touch START. "Lo°" will appear on the oven display if the actual oven temperature is under 170°F (77°C). When the actual oven temperature reaches 170°F (77°C), the oven display will show the oven temperature increasing. When the set temperature is reached, if on, 1 tone will sound.
4. Touch OFF, UPPER OVEN OFF or, on some models, LOWER OVEN OFF when finished cooking.

Convection Roast



A. Broil heat
B. Convection fan
C. Bake heat

Convection roasting can be used for roasting meats and poultry, or for baking yeast breads and loaf cakes using a single rack. During convection roasting, the broil, convection, and CleanBake™ elements will cycle on and off in intervals to maintain oven temperature, while the fan constantly circulates the hot air.

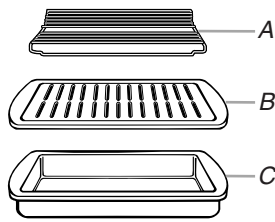
If the oven door is opened during convection roasting, the fan turns off immediately when the door is opened and turns on immediately when the door is closed. Bake, broil, and convection elements will turn off approximately 30 seconds after the door is opened. They will turn on again approximately 30 seconds after the door is closed.

- Reduce recipe temperature 25°F (14°C). The cook time may need to be reduced also.

To Convection Roast:

Before convection roasting, position racks according to the “Positioning Racks and Bakeware” section. It is not necessary to wait for the oven to preheat before putting food in, unless recommended in the recipe.

Use the roasting rack on top of the broiler pan and grid. This holds the food above the grid and allows air to circulate completely around all surfaces.



A. Roasting rack
B. Broiler grid
C. Broil pan

1. On double ovens only, touch UPPER OVEN or, on some models, LOWER OVEN.

The cavity symbol indicates which oven was chosen.

2. Touch CONVECTION ROAST.

Touch the number keys to enter a temperature other than 325°F (163°C). The convection roast range can be set between 170°F and 500°F (77°C and 260°C).

3. Touch START.

“Lo°” will appear on the oven display if the actual oven temperature is under 170°F (77°C).

When the actual oven temperature reaches 170°F (77°C), the oven display will show the oven temperature increasing.

When the set temperature is reached, if on, one tone will sound.

4. Touch OFF when finished cooking.

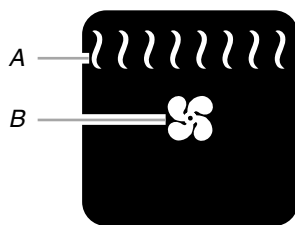
CONVECTION ROASTING CHART

FOOD/RACK POSITION	COOK TIME (min. per 1 lb [454 g])	OVEN TEMP.	INTERNAL FOOD TEMP.
Beef, Rack Position 2			
Rib Roast			
rare	20-25		140°F (60°C)
medium	25-30	300°F (149°C)	160°F (71°C)
well-done	30-35		170°F (77°C)
Rib Roast (boneless)			
rare	22-25		140°F (60°C)
medium	27-30	300°F (149°C)	160°F (71°C)
well-done	32-35		170°F (77°C)
Rump, Sirloin Tip Roast			
rare	20-25	300°F (149°C)	140°F (60°C)
medium	25-30		160°F (71°C)
well-done	30-35		170°F (77°C)
Meat Loaf	20-25	325°F (163°C)	165°F (74°C)

FOOD/RACK POSITION	COOK TIME (min. per 1 lb [454 g])	OVEN TEMP.	INTERNAL FOOD TEMP.
Veal, Rack Position 2			
Loin, Rib, Rump Roast			
medium	25-35	325°F (163°C)	160°F (71°C)
well-done	30-40		170°F (77°C)
Pork, Rack Position 2			
Loin Roast (boneless)	30-40	325°F (163°C)	160°F-170°F (71°C-77°C)
Shoulder Roast	35-40	325°F (163°C)	160°F-170°F (71°C-77°C)
Ham, Rack Position 2			
Fresh (uncooked)	25-35	300°F (149°C)	160°F (71°C)
Fully Cooked	15-20	300°F (149°C)	160°F (71°C)
Lamb, Rack Position 2			
Leg, Shoulder Roast			
medium	25-30	300°F (149°C)	160°F (71°C)
well-done	30-35		170°F (77°C)
Chicken*, Rack Position 2			
Whole			
3-5 lbs (1.5-2.2 kg)	20-25	325°F (163°C)	180°F (82°C)
5-7 lbs (2.2-3.1 kg)	15-20	325°F (163°C)	180°F (82°C)
Turkey*, Rack Positions 1 or 2			
13 lbs and under (5.85 kg)	10-15	300°F (149°C)	180°F (82°C)
Over 13 lbs (5.85 kg)	10-12	300°F (149°C)	180°F (82°C)
Cornish Game Hens*, Rack Position 2 or 3			
1-1.5 lbs (0.5-0.7 kg)	50-60	325°F (163°C)	180°F (82°C)

*Do not stuff poultry when convection roasting.

Convection Broil



A. Broil heat

B. Convection fan

During convection broiling, the broil elements will cycle on and off in intervals to maintain oven temperature, while the fan constantly circulates the hot air.

The temperature is preset at 450°F (232°C), but can be changed to a different temperature. Cooking times will vary depending on the rack position and temperature and may need to be adjusted.

If the oven door is opened during convection broiling, fan turns off immediately when door is opened and turns on again immediately when door is closed. Broil elements will turn off approximately 30 seconds after the door is opened. They will turn on again approximately 30 seconds after the door is closed.

To Convection Broil:

Before convection broiling, see “Full and Center Broiling” section for general broiling guidelines. Position rack.

Allow the oven to preheat for 5 minutes. Position food on the unheated grid on the broiler pan, then place it in the center of the oven rack with the longest side parallel to the door.

Close the door.

1. On double ovens only, touch UPPER OVEN or, on some models, LOWER OVEN.
The cavity symbol indicates which oven was chosen.
2. Touch CONVECTION BROIL.
Touch the number keys to enter a temperature other than 450°F (232°C). The convection broil range can be set between 170°F and 500°F (77°C and 260°C).
3. Touch START.
The set oven temperature will appear on the oven display until oven is turned off.
4. Touch OFF, UPPER OVEN OFF or, on some models, LOWER OVEN OFF when finished cooking.

EasyConvect™ Conversion

(single, upper and, on some models, lower oven)

Convection temperatures and times differ from those of standard cooking. The oven can automatically reduce standard recipe temperatures and times for convection cooking.

The conversion may not be exact because foods are grouped in general categories. To ensure optimal cooking results, the oven will prompt a food check at the end of a non-delayed cook time. Use the following chart as a guide.

SETTING	FOODS
BAKED GOODS	Biscuits, Breads: quick and yeast, Cakes and Cookies Casseroles: including frozen entrées and soufflés Fish
MEATS	Baked potatoes Chicken: whole and pieces, Meat loaf, Roasts: pork, beef and ham Turkey and large poultry are not included because their cook times vary.
OTHER FOODS	Convenience foods: french fries, nuggets, fish sticks, pizza, Pies: fruit and custard

To Use:

Before using Convection Temperature Conversion for BAKED GOODS and OTHER FOODS, allow the oven to preheat before placing food in the oven.

1. On double ovens only, touch UPPER OVEN or, on some models, LOWER OVEN.
The cavity symbol indicates which oven was chosen.
2. Touch BAKED GOODS, MEATS or OTHER FOODS.
3. Touch number keys to enter standard cook temperature.
4. Touch number keys to enter standard cook time.
5. Touch START.
“CHECK FOOD AT” and the stop time will appear on the oven display after preheating is complete.
When the stop time is reached, end-of-cycle tones will sound if enabled. Open the door and check food.
6. Touch OFF, UPPER OVEN OFF or, on some models, LOWER OVEN OFF when finished cooking.

Proofing Bread

Proofing bread prepares dough for baking by activating the yeast. Proofing twice is recommended unless the recipe directs otherwise.

To Proof:

Before first proofing, place dough in a lightly greased bowl and cover loosely with wax paper coated with shortening. Place on rack guide 2, then place broiler pan on guide 1. See "Positioning Racks and Bakeware" for diagram. Close door.


1. On double ovens only, touch UPPER OVEN or LOWER OVEN. The cavity symbol will indicate which oven was chosen.
2. Touch BREAD PROOF. Display will show 100°F (38°C).
3. Touch START.
Let dough rise until nearly doubled in size, check at 20 to 25 minutes. Proofing time may vary depending on dough type and quantity.
4. Touch OFF, UPPER OVEN OFF or LOWER OVEN OFF when finished proofing.

Before second proofing, shape dough, place in baking pan(s) and cover loosely with plastic wrap coated with cooking spray. Follow same placement, and control steps above. Before baking, remove plastic wrap.

Temperature Probe

(single, upper and, on some models, lower oven)

⚠ WARNING



Burn Hazard

Use an oven mitt to remove temperature probe.

Do not touch broil element.

Failure to follow these instructions can result in burns.

The temperature probe accurately measures the internal temperature of meat, poultry and casseroles with liquid and should be used in determining the doneness of meat and poultry. It should not be used during full and center broiling, convection broiling, dehydrating or proofing bread.

Always unplug and remove the temperature probe from the oven when removing food.

To Use:

Before using, insert the probe into the food item. (For meats, the probe tip should be located in the center of the thickest part of the meat and not into the fat or touching a bone). Place food in oven and connect the temperature probe to the jack. Keep probe as far away from heat source as possible. Close oven door.

1. On double ovens only, touch UPPER OVEN or LOWER OVEN.
This step is necessary only if a meat probe is plugged into the upper and lower cavity at the same time. If only 1 meat probe is used, cavity focus is automatically switched to the oven that the meat probe is plugged into.
2. Touch the number keys to enter a probe temperature, if other than 160°F (75°C). The probe temperature is the desired internal temperature of the food when it is done. The temperature can be set between 130°F and 190°F (55°C and 85°C).
3. Touch BAKE, CONVECT BAKE or CONVECT ROAST.
Touch number keys to enter a temperature other than the one displayed. The oven temperature is the temperature given in the recipe.
4. Touch START.
The set oven temperature will appear on the oven display throughout cooking.
"Lo°" will appear as the probe temperature until the internal temperature of the food reaches 130°F (54°C). Then the display will show the temperature increasing.
When the set probe temperature is reached, the oven will shut off automatically and "Cooking Complete" will appear on the oven display.
If enabled, end-of-cycle tones will sound, then reminder tones will sound every minute.
5. Touch OFF, UPPER OVEN OFF or, on some models, LOWER OVEN OFF, or open the oven door to clear the display and/or stop reminder tones.
6. Always unplug and remove the temperature probe from the oven when removing food. The probe symbol will remain lit in the display until the probe is unplugged.

To Change Probe Temperature, Oven Setting:

1. Unplug probe, plug back in, then close oven door.
2. Follow steps 1 through 6 in the "To Use" section.

Timed Cooking

WARNING

Food Poisoning Hazard

Do not let food sit in oven more than one hour before or after cooking.

Doing so can result in food poisoning or sickness.

Timed Cooking allows the oven(s) to be set to turn on at a certain time of day, cook for a set length of time, and/or shut off automatically. Delay start should not be used for food such as breads and cakes because they may not bake properly.

To Set a Cook Time:

1. On double ovens only, touch UPPER OVEN or LOWER OVEN. The cavity symbol will indicate which oven was chosen.

2. Touch BAKE, CONVECTION BAKE OR CONVECTION ROAST.

Touch the number keys to enter a temperature other than the one displayed. The range can be set between 170°F and 500°F (77°C and 260°C).

Timed Cooking may also be used with the Bread Proof function, but the temperature is not adjustable.

3. Touch COOK TIME.
4. Touch number keys to enter the length of time to cook.
5. Touch START.

The minute time countdown will appear on the oven display. The start time and stop time are not displayed until the oven is finished preheating.

On double oven models only, when both upper and lower ovens are being used at the same time, touch UPPER OVEN or LOWER OVEN to display respective cook time.

When the stop time is reached, the oven will shut off automatically and “cooking complete” will appear on the oven display.

If enabled, end-of-cycle tones will sound, then reminder tones will sound every minute.

6. Touch OFF, UPPER OVEN OFF or LOWER OVEN OFF, or open the oven door to clear the display and/or stop reminder tones.

To Set a Cook Time and Stop Time:

Before setting, make sure the clock is set to the correct time of day. See “Clock” section.

1. On double ovens only, touch UPPER OVEN or LOWER OVEN. The cavity symbol will indicate which oven was chosen.
2. Touch BAKE, CONVECTION BAKE OR CONVECTION ROAST.

Touch the number keys to enter a temperature other than the one displayed. The range can be set between 170°F and 500°F (77°C and 260°C).

Timed Cooking may also be used with the Bread Proof function, but the temperature is not adjustable.

3. Touch COOK TIME.
4. Touch number keys to enter the length of time to cook.
5. Touch STOP TIME.
6. Touch the number keys to enter time of day to stop.
7. Touch START.

The start time is automatically calculated and displayed.

“DELAY” and the stop time will also appear on the oven display.

When the start time is reached, the oven will automatically turn on. The minute time countdown will appear on the oven display.

When the stop time is reached, the oven will shut off automatically and “cooking complete” will appear on the oven display.

If enabled, end-of-cycle tones will sound, then reminder tones will sound every minute.

8. Touch OFF, UPPER OVEN OFF or LOWER OVEN OFF, or open the oven door to clear the display and/or stop reminder tones.

Dehydrating

(on convection models, closed door)

Dehydration is a method used to preserve food. Various factors, such as the quality of the fresh food, pretreatment techniques, the size and thickness of the food, and the climate may affect the finished product.

During dehydration, heat is used to force out moisture and air circulation is used to carry the moisture away.

Refer to a reliable book or source for complete information about dehydrating and preserving foods.

To Dehydrate:

Position the racks according to the following chart. See “Positioning Racks and Bakeware” section for diagram.

NUMBER OF RACKS	RACK POSITION(S)
1	3
2	2 and 4
3	1, 3 and 5

1. Close the oven door.
2. Touch OPTIONS then 5.
3. On double ovens only, touch UPPER OVEN or LOWER OVEN. The cavity symbol will indicate which oven was chosen.
4. Touch the number key to enter a temperature other than 140°F (60°C). The dehydrating range can be set between 100°F and 200°F (38°C and 93°C).
5. Touch START.
6. Touch OFF, UPPER OVEN OFF or, on some models, LOWER OVEN OFF when finished dehydrating.

NOTE: The oven will automatically turn off after 12 hours. However, some foods may take more than 12 hours to dehydrate. If this is the case, the oven will need to be restarted.

OVEN CARE

Self-Cleaning Cycle

⚠ WARNING



Burn Hazard

Do not touch the oven during the Self-Cleaning cycle.

Keep children away from oven during Self-Cleaning cycle.

Failure to follow these instructions can result in burns.

IMPORTANT: The health of some birds is extremely sensitive to the fumes given off during the Self-Cleaning cycle. Exposure to the fumes may result in death to certain birds. Always move birds to another closed and well-ventilated room.

Self-clean the oven before it becomes heavily soiled. Heavy soil results in longer cleaning and more smoke.

Keep the kitchen well-ventilated during the Self-Cleaning cycle to help get rid of heat, odors, and smoke.

Do not block the oven vent(s) during the Self-Cleaning cycle. Air must be able to move freely. Depending on your model, see “Oven Vent” or “Oven Vents” section.

Do not clean, rub, damage or move the oven door gasket. The door gasket is essential for a good seal.

Prepare Oven:

- Remove the broiler pan, grid, cookware and bakeware and, on some models, the temperature probe from the oven.
Remove oven racks to keep them shiny and easy to slide. See “General Cleaning” section for more information.
- Remove any foil from the oven because it may burn or melt, damaging the oven.
- Hand clean inside door edge and the 1½" (3.8 cm) area around the inside oven cavity frame, being certain not to move or bend the gasket. This area does not get hot enough during self-cleaning to remove soil. Do not let water, cleaner, etc. enter slots on door frame. Use a damp cloth to clean this area.
- Wipe out any loose soil to reduce smoke and avoid damage. At high temperatures, foods react with porcelain. Staining, etching, pitting or faint white spots can result. This will not affect cooking performance.

How the Cycle Works

IMPORTANT: The heating and cooling of porcelain on steel in the oven may result in discoloring, loss of gloss, hairline cracks and popping sounds.

The Self-Cleaning cycle uses very high temperatures, burning soil to a powdery ash.

The oven is preset for a 3 hour 30 minute clean cycle, however the time can be changed. Suggested clean times are 2 hours 30 minutes for light soil and between 3 hours 30 minutes and 4 hours 30 minutes for average to heavy soil.

Use the following chart as a guide to determine the desired cleaning level.

CLEANING LEVEL	TOTAL CLEANING TIME (includes a 30 minute cool down time)
1 (Quick)	2 hours 30 minutes
2	3 hours
3 (Regular)	3 hours 30 minutes
4	4 hours
5 (Maxi)	4 hours 30 minutes

Once the oven has completely cooled, remove ash with a damp cloth. To avoid breaking the glass, do not apply a cool damp cloth to the inner door glass before it has completely cooled.

The oven lights will not work during the Self-Cleaning cycle.

On double oven models, only one oven can self-clean at a time. If one oven is self-cleaning, the other oven cannot be set or turned on.

NOTE: The oven has a 2 speed cooling fan motor. During self-clean the fan(s) will operate at its highest speed to increase airflow to better exhaust the hotter air through the oven vent(s). An increase in noise may be noticeable during and after the self-clean cycle until the oven cools.

To Self-Clean:

Before self-cleaning, make sure the door is closed completely or it will not lock and the cycle will not begin.

1. On double ovens only, touch UPPER OVEN or LOWER OVEN. The cavity symbol will indicate which oven was chosen.
2. Touch SELF CLEAN. Touch SELF CLEAN repeatedly to set a clean time other than 3 hours and 30 minutes. The clean time can be set between 2 hours and 30 minutes and 4 hours and 30 minutes.
Number keys cannot be used to set a clean time.
3. Touch START.
The oven door will automatically lock and “DOOR LOCKED,” the start time and stop time will appear on the oven display. The door will not unlock until the oven cools.
When the cycle is complete and the oven is cool, “self clean complete” will appear on the oven display and “DOOR LOCKED” will disappear.
If enabled, end-of-cycle tones will sound, then reminder tones will sound every minute.
4. Touch OFF, UPPER OVEN OFF or LOWER OVEN OFF or open the oven door to clear the oven display and/or stop reminder tones.

To Delay the Start of Self-Cleaning:

Before delaying the starting of Self-Clean, make sure the clock is set to the correct time of day. See “Clock” section. Also, make sure the door is closed completely or it will not lock and the cycle will not begin.

1. On double ovens only, touch UPPER OVEN or LOWER OVEN. The cavity symbol will indicate which oven was chosen.
2. Touch SELF CLEAN. Touch SELF CLEAN repeatedly to set a clean time other than 3 hours and 30 minutes. The clean time can be set between 2 hours and 30 minutes and 4 hours and 30 minutes.
3. Touch STOP TIME.
4. Touch the number keys to enter the time of day to stop.
5. Touch START.

Number keys cannot be used to set clean time.

The start time is automatically calculated and displayed.

The door will automatically lock and “DOOR LOCKED,” “DELAY,” and the stop time will also appear on the display. The door will not unlock until the oven cools.

When the start time is reached, the oven will automatically turn on.

When the cycle is complete and the oven cools, “self clean complete” will appear on the oven display and “DOOR LOCKED” will disappear.

If enabled, end-of-cycle tones will sound, then reminder tones will sound every minute.

6. Touch OFF, UPPER OVEN OFF or LOWER OVEN OFF or open the oven door to clear the oven display.

To Stop Self-Clean anytime:

Touch OFF, UPPER OVEN OFF or LOWER OVEN OFF. If the oven temperature is too high, the door will remain locked. It will not unlock until the oven cools.

General Cleaning

IMPORTANT: Before cleaning, make sure all controls are off and the oven is cool. Always follow label instructions on cleaning products.

Soap, water and a soft cloth or sponge are suggested first unless otherwise noted.

STAINLESS STEEL (on some models)

Cleaning Method:

Rub in direction of grain to avoid damaging.

- KitchenAid® Stainless Steel Cleaner and Polish Part Number 4396920 (not included) or KitchenAid® Stainless Steel Wipes Part Number 8212510 (not included):

See “Assistance or Service” section to order.

- Liquid detergent or all-purpose cleaner:

Rinse with clean water and dry with soft, lint-free cloth.

- Vinegar for hard water spots

To avoid damage to stainless steel surfaces, do not use soap-filled scouring pads, abrasive cleaners, Cooktop Polishing Creme, steel-wool pads, gritty washcloths or some paper towels.

OVEN DOOR EXTERIOR

Cleaning Method:

- Glass cleaner and a soft cloth or sponge:
Apply glass cleaner to soft cloth or sponge, not directly on panel.
- All-Purpose Appliance Cleaner Part Number 31682 (not included):
See “Assistance or Service” section to order.

OVEN DOOR INTERIOR

Cleaning Method:

- Self-Cleaning cycle:
For optimal door cleaning result, wipe away any deposits with a damp sponge before running cycle.

CONTROL PANEL

Cleaning Method:

- Glass cleaner and soft cloth or sponge:
Apply glass cleaner to soft cloth or sponge, not directly on panel.
- All-Purpose Appliance Cleaner Part Number 31682 (not included):
See “Assistance or Service” section to order.

To avoid damage to the control panel, do not use abrasive cleaners, steel-wool pads, gritty washcloths or some paper towels.

OVEN CAVITY

Do not use oven cleaners.

Food spills should be cleaned when oven cools. At high temperatures, foods react with porcelain and staining, etching, pitting or faint white spots can result.

Cleaning Method:

- Self-Cleaning cycle: See “Self-Cleaning Cycle” first.

OVEN RACKS AND ROASTING RACKS

Cleaning Method:

- Self-Cleaning cycle:
See “Self-Cleaning Cycle” first. Remove racks or they will discolor and become harder to slide. If this happens, a light coating of vegetable oil applied to the rack guides will help them slide.
- Steel-wool pad

BROILER PAN AND GRID (on some models)

Do not clean in the Self-Cleaning cycle.

Cleaning Method:

- Mildly abrasive cleanser:
Scrub with wet scouring pad.
- Solution of ½ cup (125 mL) ammonia to 1 gal. (3.75 L) water:
Soak for 20 minutes, then scrub with scouring or steel-wool pad.

Porcelain enamel only, not chrome

- Dishwasher
-

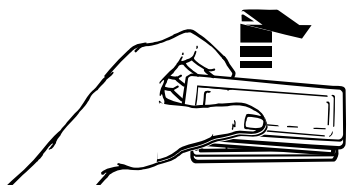
Oven Lights

The oven lights are 12-volt, 5-watt maximum halogen bulbs. They will come on when the oven door is opened. On double oven models, both upper and lower lights will come on when either door is opened. The oven lights will not work during the Self-Cleaning cycle. When the oven door is closed, touch OVEN LIGHT to turn light on or off.

To Replace:

Before replacing the bulb, make sure the oven is off and cool.

1. Disconnect power.
2. Remove glass light cover by grasping the front edge and pulling away from oven.



3. Remove bulb from socket.
4. Replace bulb, using tissue or wearing cotton gloves to handle bulb. Do not touch bulb with bare fingers.
5. Replace bulb cover by snapping back into wall.
6. Reconnect power.

Oven Door

IMPORTANT:

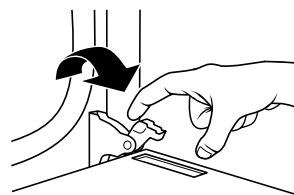
To avoid oven door glass breakage:

- Do not close the oven door if the racks are not fully inserted into the oven cavity or when bakeware extends past the front edge of an oven rack.
- Do not set objects on the glass surface of the oven door.
- Do not hit glass surfaces with bakeware or other objects.
- Do not wipe down glass surfaces until the oven has completely cooled.

For normal oven use, it is not suggested to remove the oven door. However, if removal is necessary, make sure the oven is off and cool. Then, follow these instructions. The oven door is heavy.

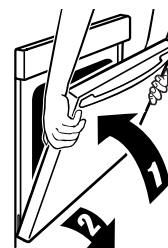
To Remove:

1. Open oven door all the way.
2. Flip up the hinge latch on each side.



3. Close the oven door as far as it will shut.
4. Lift the oven door while holding both sides.

Continue to push the oven door closed and pull it away from the oven door frame.



To Replace:

1. Insert both hanger arms into the door.



2. Open the oven door.
You should hear a “click” as the door is set into place.
3. Move the hinge levers back to the locked position. Check that the door is free to open and close. If it is not, repeat the removal and installation procedures.

TROUBLESHOOTING

Try the solutions suggested here first in order to avoid the cost of an unnecessary service call.

Nothing will operate

- **Has a household fuse blown, or has a circuit breaker tripped?**
Replace the fuse or reset the circuit breaker. If the problem continues, call an electrician.
- **Is the appliance wired properly?**
See Installation Instructions.

Oven will not operate

- **Is the electronic oven control set correctly?**
See “Electronic Oven Control” section.
- **Has a delay start been set?**
See “Timed Cooking” section.
- **Is the Control Lock set?**
See “Control Lock” section.
- **Is the Sabbath Mode set?**
See “Sabbath Mode” section.
- **On double oven models, is one oven self-cleaning?**
When one oven is self-cleaning the other oven cannot be set or turned on.
- **On double oven models, has the correct oven been selected?**
Choose UPPER OVEN or LOWER OVEN first.

Oven temperature too high or too low

- **Does the oven temperature calibration need adjustment?**
See “Oven Temperature Control” section.

Warm air coming from oven vent

- Warm air coming from the oven vent is normal. During a self-clean cycle the air stream is increased.

Display shows messages

- **Is the display showing a letter followed by a number?**
Clear the display. See “Display(s)” section. If a letter followed by a number reappears, call for service. See “Assistance or Service” section.

Self-Cleaning cycle will not operate

- **Is the oven door open?**
Close the oven door all the way.
- **Has the function been entered?**
See “Self-Cleaning Cycle” section.
- **On some models, has a delay start Self-Clean cycle been set?**
See “Self-Cleaning Cycle” section.
- **Has a delay start been set?**
See “Timed Cooking” section.
- **On double oven models, is one oven self-cleaning?**
When one oven is self-cleaning, the other oven cannot be set to self-clean.

Oven cooking results not what expected

- **Is the proper temperature set?**
Double-check the recipe in a reliable cookbook.
- **Is the proper oven temperature calibration set?**
See “Oven Temperature Control” section.
- **Was the oven preheated?**
See “Baking and Roasting” section.
- **Is the proper bakeware being used?**
See “Bakeware” section.
- **Are the racks positioned properly?**
See “Positioning Racks and Bakeware” section.
- **Is there proper air circulation around bakeware?**
See “Positioning Racks and Bakeware” section.
- **Is the batter evenly distributed in the pan?**
Check that batter is level in the pan.
- **Is the proper length of time being used?**
Adjust cooking time.
- **Has the oven door been opened while cooking?**
Oven peeking releases oven heat and can result in longer cooking times.
- **Are baked items too brown on the bottom?**
Move rack to higher position in the oven.
- **Are pie crust edges browning early?**

Use aluminum foil to cover the edge of the crust and/or reduce baking temperature.

ASSISTANCE OR SERVICE

Before calling for assistance or service, please check “Troubleshooting.” It may save you the cost of a service call. If you still need help, follow the instructions below.

When calling, please know the purchase date and the complete model and serial number of your appliance. This information will help us to better respond to your request.

If you need replacement parts

If you need to order replacement parts, we recommend that you use only factory specified parts. These factory specified parts will fit right and work right because they are made with the same precision used to build every new KITCHENAID® appliance.

To locate factory specified parts in your area, call us or your nearest KitchenAid designated service center.

In the U.S.A.

Call the KitchenAid Customer eXperience Center toll free: **1-800-422-1230**.

Our consultants provide assistance with:

- Features and specifications on our full line of appliances.
- Installation information.
- Use and maintenance procedures.
- Accessory and repair parts sales.
- Specialized customer assistance (Spanish speaking, hearing impaired, limited vision, etc.).
- Referrals to local dealers, repair parts distributors and service companies. KitchenAid designated service technicians are trained to fulfill the product warranty and provide after-warranty service, anywhere in the United States.

To locate the KitchenAid designated service company in your area, you can also look in your telephone directory Yellow Pages.

For further assistance

If you need further assistance, you can write to KitchenAid with any questions or concerns at:

KitchenAid Brand Home Appliances
Customer eXperience Center
553 Benson Road
Benton Harbor, MI 49022-2692

Please include a daytime phone number in your correspondence.

Accessories

Accessories U.S.A.

To order accessories, call the KitchenAid Customer eXperience Center toll free at **1-800-442-9991** and follow the menu prompts. Or visit our website at www.kitchenaid.com and click on “Shopping Options.” Go to “Replacement Parts & Accessories” and click on “applianceaccessories.com.” Portable appliances, bakeware, cookware, gadgets and textiles are also available.

KitchenAid® Stainless Steel Cleaner and Polish

(stainless steel models)

Order Part Number 4396920

KitchenAid® Stainless Steel Wipes

(stainless steel models)

Order Part Number 8212510

All-Purpose Appliance Cleaner

Order Part Number 31682

In Canada

Call the KitchenAid Canada Customer Interaction Centre toll free: **1-800-807-6777**.

Our consultants provide assistance with:

- Features and specifications on our full line of appliances.
- Use and maintenance procedures.
- Accessory and repair parts sales.
- Referrals to local dealers, repair parts distributors and service companies. KitchenAid Canada designated service technicians are trained to fulfill the product warranty and provide after-warranty service, anywhere in Canada.

For further assistance

If you need further assistance, you can write to KitchenAid Canada with any questions or concerns at:

Customer Interaction Centre
KitchenAid Canada
1901 Minnesota Court
Mississauga, Ontario L5N 3A7

Please include a daytime phone number in your correspondence.

KITCHENAID® BUILT-IN OVEN & MICROWAVE WARRANTY

LIMITED WARRANTY

For one year from the date of purchase, when this major appliance is operated and maintained according to instructions attached to or furnished with the product, KitchenAid brand of Whirlpool Corporation or Whirlpool Canada LP (hereafter “KitchenAid”) will pay for Factory Specified Parts and repair labor to correct defects in materials or workmanship. Service must be provided by a KitchenAid designated service company. This limited warranty is valid only in the United States or Canada and applies only when the major appliance is used in the country in which it was purchased. Outside the 50 United States and Canada, this limited warranty does not apply. Proof of original purchase date is required to obtain service under this limited warranty.

SECOND THROUGH FIFTH YEAR LIMITED WARRANTY ON CERTAIN COMPONENT PARTS

In the second through fifth years from the date of purchase, when this appliance is operated and maintained according to instructions attached to or furnished with the product, KitchenAid will pay for Factory Specified Parts for the following components if defective in materials or workmanship:

- Electric element
- Solid state touch control system parts

SECOND THROUGH TENTH YEAR LIMITED WARRANTY

On microwave ovens only, in the second through tenth years from date of purchase, when this major appliance is operated and maintained according to instructions attached to or furnished with the product, KitchenAid will pay for Factory Specified Parts for the stainless steel oven cavity/inner door if the part rusts through due to defects in materials or workmanship.

ITEMS EXCLUDED FROM WARRANTY

This limited warranty does not cover:

1. Service calls to correct the installation of your major appliance, to instruct you on how to use your major appliance, to replace or repair house fuses, or to correct house wiring or plumbing.
2. Service calls to repair or replace appliance light bulbs, air filters or water filters. Consumable parts are excluded from warranty coverage.
3. Repairs when your major appliance is used for other than normal, single-family household use or when it is used in a manner that is contrary to published user or operator instructions and/or installation instructions.
4. Damage resulting from accident, alteration, misuse, abuse, fire, flood, acts of God, improper installation, installation not in accordance with electrical or plumbing codes, or use of consumables or cleaning products not approved by KitchenAid.
5. Cosmetic damage, including scratches, dents, chips or other damage to the finish of your major appliance, unless such damage results from defects in materials or workmanship and is reported to KitchenAid within 30 days from the date of purchase.
6. Costs associated with the removal from your home of your major appliance for repairs. This major appliance is designed to be repaired in the home and only in-home service is covered by this warranty.
7. Repairs to parts or systems resulting from unauthorized modifications made to the appliance.
8. Expenses for travel and transportation for product service if your major appliance is located in a remote area where service by an authorized KitchenAid servicer is not available.
9. The removal and reinstallation of your major appliance if it is installed in an inaccessible location or is not installed in accordance with published installation instructions.
10. Major appliances with original model/serial numbers that have been removed, altered or cannot be easily determined. This warranty is void if the factory applied serial number has been altered or removed from your major appliance.

The cost of repair or replacement under these excluded circumstances shall be borne by the customer.

DISCLAIMER OF IMPLIED WARRANTIES; LIMITATION OF REMEDIES

CUSTOMER'S SOLE AND EXCLUSIVE REMEDY UNDER THIS LIMITED WARRANTY SHALL BE PRODUCT REPAIR AS PROVIDED HEREIN. IMPLIED WARRANTIES, INCLUDING WARRANTIES OF MERCHANTABILITY OR FITNESS FOR A PARTICULAR PURPOSE, ARE LIMITED TO ONE YEAR OR THE SHORTEST PERIOD ALLOWED BY LAW. KITCHENAID SHALL NOT BE LIABLE FOR INCIDENTAL OR CONSEQUENTIAL DAMAGES. SOME STATES AND PROVINCES DO NOT ALLOW THE EXCLUSION OR LIMITATION OF INCIDENTAL OR CONSEQUENTIAL DAMAGES, OR LIMITATIONS ON THE DURATION OF IMPLIED WARRANTIES OF MERCHANTABILITY OR FITNESS, SO THESE EXCLUSIONS OR LIMITATIONS MAY NOT APPLY TO YOU. THIS WARRANTY GIVES YOU SPECIFIC LEGAL RIGHTS, AND YOU MAY ALSO HAVE OTHER RIGHTS WHICH VARY FROM STATE TO STATE OR PROVINCE TO PROVINCE.

If outside the 50 United States and Canada, contact your authorized KitchenAid dealer to determine if another warranty applies.

If you need service, first see the "Troubleshooting" section of the Use & Care Guide. After checking "Troubleshooting," you may find additional help by checking the "Assistance or Service" section or by calling KitchenAid. In the U.S.A., call **1-800-422-1230**. In Canada, call **1-800-807-6777**.

9/07

Keep this book and your sales slip together for future reference. You must provide proof of purchase or installation date for in-warranty service.

Write down the following information about your major appliance to better help you obtain assistance or service if you ever need it. You will need to know your complete model number and serial number. You can find this information on the model and serial number label located on the product.

Dealer name _____
Address _____
Phone number _____
Model number _____
Serial number _____
Purchase date _____

SÉCURITÉ DU FOUR

Votre sécurité et celle des autres est très importante.

Nous donnons de nombreux messages de sécurité importants dans ce manuel et sur votre appareil ménager. Assurez-vous de toujours lire tous les messages de sécurité et de vous y conformer.



Voici le symbole d'alerte de sécurité.

Ce symbole d'alerte de sécurité vous signale les dangers potentiels de décès et de blessures graves à vous et à d'autres.

Tous les messages de sécurité suivront le symbole d'alerte de sécurité et le mot "DANGER" ou "AVERTISSEMENT". Ces mots signifient :

⚠ DANGER

Risque possible de décès ou de blessure grave si vous ne suivez pas immédiatement les instructions.

⚠ AVERTISSEMENT

Risque possible de décès ou de blessure grave si vous ne suivez pas les instructions.

Tous les messages de sécurité vous diront quel est le danger potentiel et vous disent comment réduire le risque de blessure et ce qui peut se produire en cas de non-respect des instructions.

IMPORTANTES INSTRUCTIONS DE SÉCURITÉ

AVERTISSEMENT : Pour réduire le risque d'incendie, de choc électrique, de blessures corporelles ou de dommages lors de l'utilisation du four, il convient d'observer certaines précautions élémentaires dont les suivantes :

- Installation appropriée – S'assurer que le four est convenablement installé et relié à la terre par un technicien qualifié.
- Ne jamais utiliser le four pour chauffer ou réchauffer une pièce.
- Ne pas laisser les enfants seuls – Les enfants ne doivent pas être laissés seuls ou sans surveillance dans la pièce où le four est en service. Ne jamais laisser les enfants s'asseoir ou se tenir sur une partie quelconque du four.
- Porter des vêtements appropriés – Les vêtements amples ou détachés ne doivent jamais être portés pendant l'utilisation du four.
- Entretien par l'utilisateur – Ne pas réparer ni remplacer toute pièce du four si ce n'est pas spécifiquement recommandé dans le manuel. Toute autre opération d'entretien ou de réparation doit être confiée à un technicien qualifié.
- Ne pas utiliser d'eau pour éteindre un feu de graisse – Éteuffer le feu ou les flammes ou utiliser des extincteurs polyvalents à produits chimiques secs ou un extincteur à mousse.
- Utiliser seulement des mitaines sèches de four – Des mitaines de four mouillées ou humides sur des surfaces chaudes peuvent provoquer des brûlures provenant de la vapeur. Ne pas laisser les mitaines de four toucher les éléments chauffants. Ne pas utiliser une serviette ou un tissu épais.
- Exercer une grande prudence lors de l'ouverture de la porte. Laisser l'air chaud ou la vapeur s'échapper avant d'enlever ou de remplacer un plat.
- Ne pas faire chauffer des contenants fermés – L'accumulation de pression peut causer une explosion du contenant et des blessures.

- Ne jamais obstruer les ouvertures des événements.
- Placement des grilles du four – Toujours placer les grilles du four à l'endroit désiré, lorsque le four est froid. Si la grille doit être déplacée lorsque le four est chaud, ne pas laisser des mitaines de four toucher l'élément chauffant dans le four.
- Remisage dans le four – Des matériaux inflammables ne doivent pas être remisés dans un four.
- NE PAS TOUCHER LES ÉLÉMENTS CHAUFFANTS OU LES SURFACES INTÉRIEURES DU FOUR – Les éléments chauffants peuvent être chauds même s'ils ont une teinte foncée. Les surfaces intérieures de four deviennent assez chaudes pour causer des brûlures. Pendant et après l'utilisation, ne pas toucher ou laisser des vêtements ou autres matériaux inflammables venir en contact avec les éléments chauds ou les surfaces intérieures chaudes du four avant qu'ils aient eu assez de temps pour refroidir. D'autres surfaces du four peuvent devenir assez chaudes pour causer des brûlures. Ces surfaces comprennent les ouvertures de l'événement du four et la surface près de ces ouvertures, les portes du four, et les hublots des portes du four.

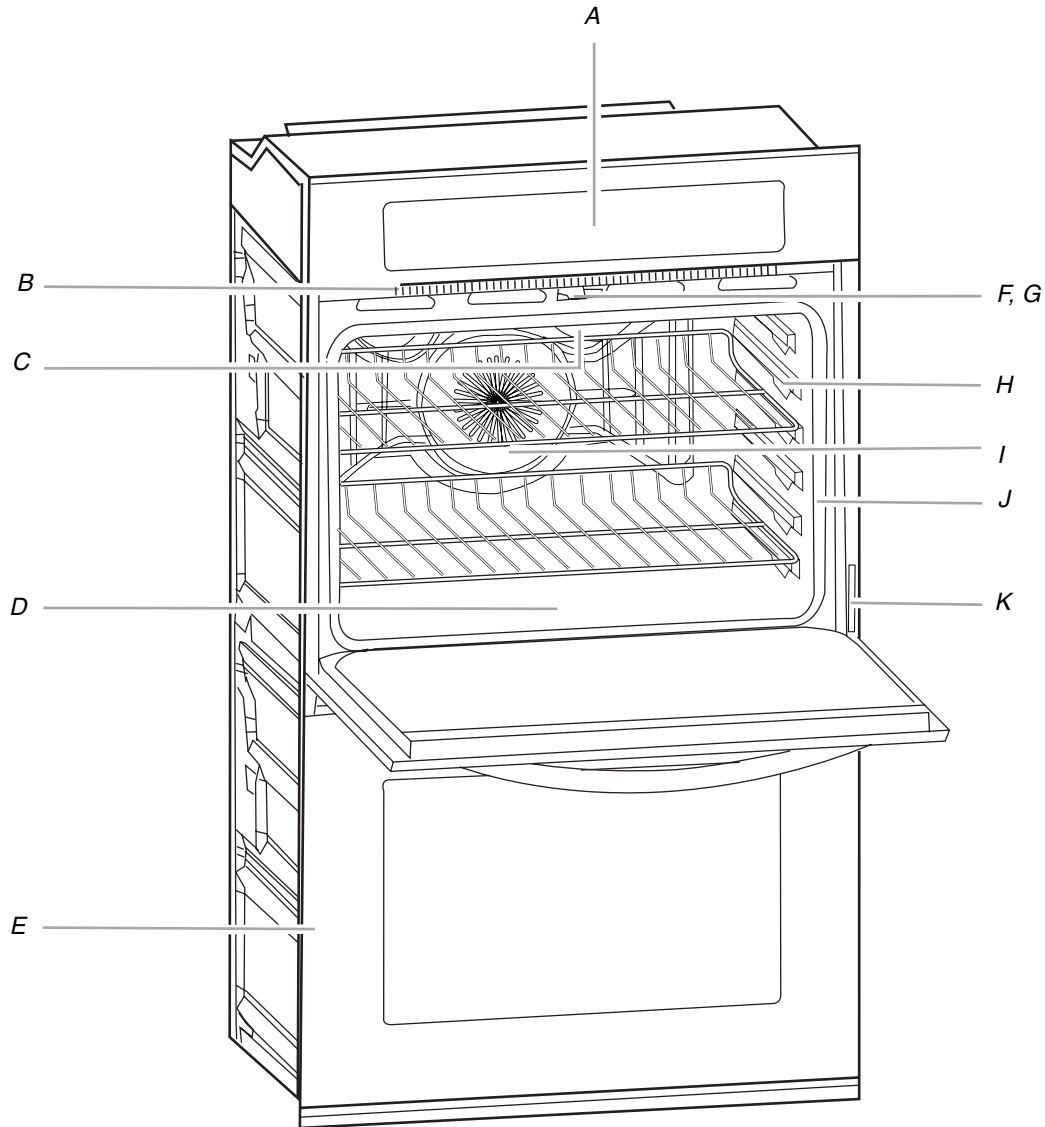
Fours autonettoyants :

- Ne pas nettoyer le joint de la porte – Le joint de la porte est essentiel pour l'étanchéité. Veiller à ne pas froter, endommager ou déplacer le joint.
- Ne pas utiliser les produits commerciaux de nettoyage de four – On ne doit pas utiliser un produit commercial de nettoyage de four ou un enduit de protection des surfaces internes du four quel qu'en soit le type, sur les surfaces du four ou les surfaces voisines.
- Nettoyer uniquement les pièces indiquées dans le manuel.
- Avant d'exécuter le programme d'autonettoyage du four, enlever la lèchefrite et sa grille et les autres ustensiles.

CONSERVEZ CES INSTRUCTIONS

PIÈCES ET CARACTÉRISTIQUES

Ce manuel couvre différents modèles. Le four que vous avez acheté peut comporter tous les articles énumérés ou seulement certains d'entre eux. Les emplacements et aspects des caractéristiques illustrées ci-dessous peuvent ne pas correspondre à ceux de votre modèle.



- A. Commande électronique du four
- B. Évén du four
- C. Éléments de cuisson au grill (non illustrés)
- D. Élément de cuisson au four CleanBake™ (dissimulé dans le plancher du four)
- E. Four inférieur (sur les modèles de fours doubles)
- F. Interrupteur automatique de la lampe du four
- G. Loquet de verrouillage de la porte du four

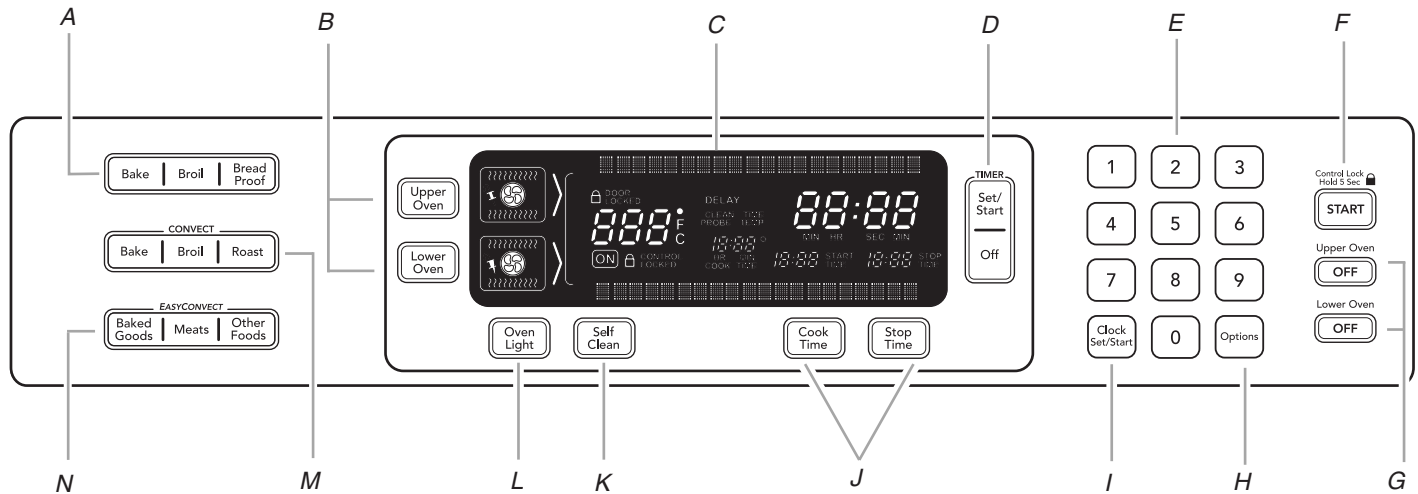
- H. Connecteur de la sonde thermométrique (cavité avec élément de convection et ventilateur uniquement)
- I. Élément de convection T.H.E.™ (troisième élément dissimulé) et ventilateur (dans le panneau arrière)
- J. Joint d'étanchéité
- K. Plaque signalétique des numéros de modèle et de série (sur la glissière à droite)

Pièces et caractéristiques non illustrées

- Lampes du four
- Troisième grille du four (grille à glissières)
- Grille de rôtissage
- Sonde thermométrique

COMMANDE ÉLECTRONIQUE DU FOUR

Ce manuel couvre différents modèles. Le four que vous avez acheté peut comporter tous les articles énumérés ou seulement certains d'entre eux. Les emplacements et aspects des articles illustrés ci-dessous peuvent ne pas correspondre à ceux de votre modèle.



A. Réglages du four

B. Sélecteurs de four supérieur ou inférieur (modèles de four double seulement)

C. Afficheur du four

D. Minuterie

E. Touches numériques

F. Mise en marche/verrouillage des commandes

G. Arrêt du four supérieur et inférieur (modèles de four double)

Arrêt (modèle de four simple)

H. Options

I. Réglage/mise en marche de l'horloge

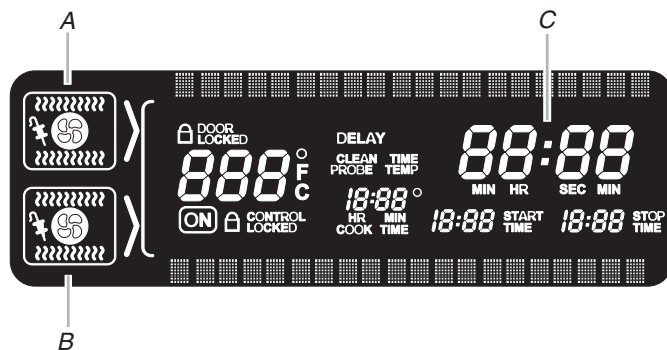
J. Cuisson minutée

K. Autonettoyage

L. Lampe du four

M. Réglages de cuisson par convection

N. Conversion de la température de convection EasyConvect™

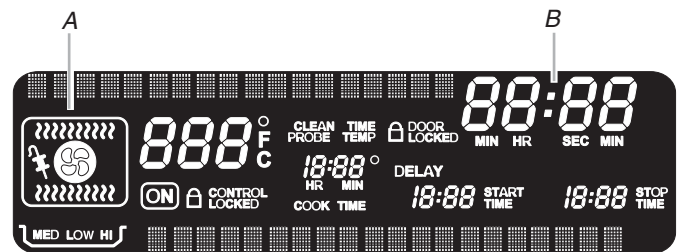


Afficheur de four double

A. Symbole de la cavité du four supérieur

B. Symbole de la cavité du four inférieur

C. Afficheur de l'heure/minuterie



Afficheur de four simple

A. Symbole de la cavité du four

B. Afficheur de l'heure/minuterie

Afficheur

Lors de la première mise en marche du four, l'horloge clignote et affiche le message "clock-enter time" (horloge-régler l'heure). L'heure peut être réglée en appuyant soit sur CLOCK SET/START (réglage de l'horloge/mise en marche) ou sur START (mise en marche). Pour permettre le fonctionnement du four sans régler l'heure, appuyer sur CLOCK SET/START (réglage de l'horloge/mise en marche), START (mise en marche) ou OFF (arrêt).

Afficheur du four

Lorsqu'on utilise le four, l'affichage indique la température du four, la(les) source(s) de chaleur et l'heure de début. Sur les modèles de four double, cet affichage indiquera aussi lequel des deux fours est en cours de réglage. Le symbole de la cavité du four supérieur représente le four supérieur; le symbole de la cavité du four inférieur représente le four inférieur.

En outre, pendant la cuisson minutée, cet affichage indique aussi un compte à rebours et l'heure de fin de cuisson (si programmée).

Si "Err" apparaît sur l'afficheur du four, cela signifie qu'on a effectué une erreur. Pour un appel de service, voir la section "Assistance ou service".

Afficheur de l'heure/minuterie

Lorsque le(s) four(s) n'est/ne sont pas utilisé(s), cet affichage indique l'heure ou le compte à rebours de la minuterie.

Mise en marche

La touche START (mise en marche) met en marche toutes les fonctions du four excepté le mode Sabbath. Si on n'appuie pas sur la touche Start dans les 5 secondes après avoir appuyé sur une autre touche, "START?" apparaît sur l'afficheur à titre de rappel. Si on n'appuie pas sur la touche Start dans les 5 minutes après avoir appuyé sur une autre touche, l'afficheur du four retourne au mode inactif (vierge) et la fonction programmée est annulée.

Arrêt du four inférieur, arrêt du four supérieur et arrêt

Les touches LOWER OVEN OFF (arrêt du four inférieur), UPPER OVEN OFF (arrêt du four supérieur) et OFF (arrêt) arrêtent les fonctions des fours respectifs à l'exception de l'horloge, de la minuterie et du verrouillage des commandes. Le ventilateur de refroidissement du four peut continuer à fonctionner même après l'annulation ou la fin d'une fonction, selon la température du four.

Horloge

Il s'agit d'une horloge de 12 heures. Avant le réglage, s'assurer que le(s) four(s), la minuterie et la cuisson minutée sont désactivés.

Réglage :

1. Appuyer sur CLOCK SET/START (réglage/mise en marche de l'horloge).
2. Appuyer sur les touches numériques pour régler l'heure.
3. Appuyer à nouveau sur CLOCK SET/START.

Signaux sonores

Les signaux sonores indiquent ce qui suit :

Un bip

- Touche numérique valide
- Four préchauffé
- Fonction entrée

Une sonnerie

- Programme de préchauffage terminé

Trois bips

- Touche numérique non valide
- Fin d'un programme de cuisson

Trois sonneries

- Lorsque la minuterie est à zéro
Inclut l'utilisation de la minuterie pour des fonctions autres que la cuisson.

Volume des signaux sonores

Le volume est pré-réglé au niveau élevé mais il peut être ramené au niveau bas.

Modification : Appuyer sur OPTIONS, puis sur "3" pour passer d'un réglage du volume haut à faible.

Tous les signaux sonores

Tous les signaux sonores sont actifs par défaut, mais peuvent être désactivés.

Désactivation/activation : Appuyer sur OPTIONS, puis sur "2" pour activer/désactiver les signaux sonores.

Signaux de fin de programme et de rappel

Les signaux sonores de rappel et de fin de programme d'une cuisson minutée sont activés par défaut mais peuvent être désactivés. Si tous les signaux ont été éteints, les signaux sonores de fin de programme et de rappel ne peuvent être allumés seuls.

Désactivation/activation des signaux sonores : Appuyer sur OPTIONS, puis sur "4" pour activer. Appuyer sur OPTIONS, puis sur "4" pour désactiver.

Fahrenheit et Celsius

La température est pré-réglée en Fahrenheit, mais elle peut être modifiée et affichée en Celsius.

Modification : Appuyer sur OPTIONS, puis sur "1" pour passer de Fahrenheit à Celsius.

En mode Fahrenheit, "°F" apparaît après la température du four.

En mode Celsius, "°C" apparaît après la température du four.

Options

La touche de sélection des OPTIONS permet d'accéder à 7 fonctions cachées parmi les commandes électroniques du four. Ces fonctions cachées permettent de changer la température du four de Fahrenheit à Celsius, de mettre en marche les signaux sonores et les messages-guides et d'ajuster le calibrage du four. Le mode Sabbath peut également être programmé en utilisant la touche de sélection des OPTIONS.

Utilisation : Appuyer sur OPTIONS. L'afficheur du four fera défiler différentes options, en partant de 1 et terminant automatiquement à 7. Vous pouvez également appuyer sur la touche Options de façon répétée pour faire défiler manuellement la liste des options.

OPTIONS	FONCTION CACHÉE
1	Conversion Fahrenheit et Celsius
2	Son On/Off (mise en marche/arrêt)
3	Son Élevé/Bas
4	Bip de fin On/Off
5*	Dehydrate (déshydrater)
6	Calibrage de la température du four
7**	Mode Sabbath

*Sur les modèles de cuisson par convection

**Le mode Sabbath doit être activé

Minuterie

La minuterie peut être réglée en minutes et secondes ou en heures et minutes et procède à un compte à rebours de la durée programmée.

REMARQUE : La minuterie ne met pas en marche le four et ne l'éteint pas.

Réglage :

1. Appuyer sur TIMER SET/START (réglage de la minuterie/mise en marche).

Appuyer à nouveau pour passer des MIN/SEC aux HR/MIN.

Si aucune action n'est effectuée, le tableau de commande continue d'attendre l'entrée d'une durée de cuisson.

2. Appuyer sur les touches numériques pour régler la durée.
3. Appuyer sur TIMER SET/START (réglage de la minuterie/mise en marche).

Si on n'appuie pas sur le clavier numérique, le tableau de commande continue d'attendre qu'on appuie sur Timer Set/Start (réglage de la minuterie/mise en marche).

Lorsque la durée de cuisson est terminée, si programmés, des signaux sonores de fin de programme retentissent continuellement jusqu'à ce qu'on appuie sur la touche Timer Off (arrêt de la minuterie).

4. Appuyer sur TIMER OFF (arrêt de la minuterie) à tout moment pour annuler la minuterie ou arrêter les signaux de rappel.

Lorsqu'on appuie sur les touches UPPER OVEN OFF (arrêt du four supérieur) ou LOWER OVEN OFF (arrêt du four inférieur), le four utilisé s'éteint; cependant, la minuterie ne peut être arrêtée qu'en utilisant la touche Timer Off (arrêt de la minuterie).

Verrouillage des commandes

Le verrouillage des commandes désactive les touches du tableau de commande pour éviter l'utilisation involontaire du ou des fours. Si le verrouillage des commandes a été réglé, la fonction reste activée après une panne de courant.

Lorsque le tableau de commande est verrouillé, seules les touches TIMER SET/START (réglage/mise en marche de la minuterie), TIMER OFF (arrêt de la minuterie) et OVEN LIGHT (lampe du four) fonctionnent.

Le verrouillage des commandes est pré-réglé désactivé, mais peut être activé.

Verrouillage des commandes : Appuyer sur START pendant environ 5 secondes, jusqu'à ce que "control locked" (commandes verrouillées) apparaisse sur la ligne de texte inférieure et que l'icône de verrou apparaisse sur l'afficheur.

Déverrouillage des commandes : Répéter les étapes pour déverrouiller et effacer "control locked" et l'icône de verrou de l'afficheur.

Commande de la température du four

IMPORTANT : Ne pas utiliser de thermomètre pour mesurer la température du four car l'ouverture de la porte du four pendant un programme peut fausser la lecture.

Le four fournit des températures précises; toutefois, il peut cuire plus rapidement ou plus lentement que votre ancien four, c'est pourquoi le calibrage de la température peut être ajusté. Il peut être changé en degrés Fahrenheit ou en Celsius.

Un signe moins signifie que le four sera plus froid du nombre de degrés affiché. L'absence de signe moins signifie que le four sera plus chaud du nombre de degrés affiché. Utiliser le tableau suivant comme guide.

AJUSTEMENT EN °F (CHANGEMENT AUTOMATIQUE EN °C)

CUIT LES ALIMENTS

10°F (5°C)	...un peu plus
20°F (10°C)	...modérément plus
30°F (15°C)	...beaucoup plus
0°F (0°C)	réglage par défaut
-10°F (-5°C)	...un peu moins
-20°F (-10°C)	...modérément moins
-30°F (-15°C)	...beaucoup moins

Ajustement du calibrage de la température du four :

1. Appuyer sur OPTIONS, puis sur "6" pour régler le calibrage.
 2. Sur les modèles de fours doubles uniquement, appuyer sur UPPER OVEN (four supérieur) ou LOWER OVEN (four inférieur) pour sélectionner le four.
Chaque calibrage de four peut être indépendamment réglé.
 3. Appuyer sur "3" pour augmenter et "6" pour baisser la température.
 4. Appuyer sur START pour arrêter le calibrage.
-

Mode Sabbat

Le mode Sabbat permet au(x) four(s) de rester sur un réglage de cuisson au four jusqu'à ce qu'on l'éteigne. Un mode Sabbat minuté peut également être programmé pour garder le four allumé seulement pendant une partie du mode Sabbat.

Lorsque le mode Sabbat est programmé, seules les touches numériques et de mise en marche fonctionnent; aucun signal sonore ne retentit et les afficheurs n'indiquent aucun message ou changement de température. Les icônes de source de chaleur s'allument sur l'afficheur du four tout au long du mode Sabbat.

Lorsque la porte du four est ouverte ou fermée, la lampe du four ne s'allume pas ou ne s'éteint pas et les éléments de chauffage ne s'allument pas ou ne s'éteignent pas immédiatement.

Si une panne de courant survient lorsque le mode Sabbat est programmé, le(s) four(s) reste(nt) en mode Sabbat mais ne sont plus en mode cuisson. Le témoin lumineux "ON" (mise en marche) s'éteint. Appuyer sur OFF (arrêt) pour revenir à un mode de fonctionnement normal (pas de mode Sabbat actif, pas de cuisson).

Activation :

Avant que le mode Sabbat puisse être régulièrement programmé, le(s) four(s) doit(doivent) être activé(s) une seule et unique fois. Sur les modèles à four double, les étapes suivantes permettent d'activer les deux fours.

1. Sur les modèles à four double, ouvrir la porte du four supérieur ou inférieur. Sur les fours simples, ouvrir la porte du four.
2. Sur les modèles à four double, appuyer sur UPPER OVEN OFF (arrêt du four supérieur) ou LOWER OVEN OFF (arrêt du four inférieur).
Sur les fours simples, appuyer sur OFF (arrêt).

- Appuyer sur les touches numériques 7, 8, 9, 6, dans cet ordre.
- Appuyer sur START (mise en marche) pour activer la fonction. "SABBATH ENABLED" (mode Sabbat activé) apparaît sur l'afficheur pendant environ 5 secondes. Vous pouvez également appuyer sur les touches OFF (arrêt), UPPER OVEN OFF (arrêt du four supérieur) ou LOWER OVEN OFF (arrêt du four inférieur) pour effacer l'affichage.
- Fermer la porte du four.

Désactivation :

La fonction d'activation du mode Sabbat peut être désactivée en répétant les étapes précédentes. Voir la section "Activation". Lorsque la fonction est désactivée, "SABBATH DISABLED" (mode Sabbat désactivé) apparaît sur l'afficheur pendant environ 5 secondes.

Le mode Sabbat ne peut être programmé régulièrement tant qu'il n'a pas été réactivé.

Sur les modèles à four double, les étapes suivantes permettent de désactiver les deux fours.

Pour un réglage normal, non minuté :

Le mode Sabbat doit être activé avant de lancer le programme de cuisson au four. Voir la section "Activation".

- Sur les modèles à four double uniquement, appuyer sur UPPER OVEN (four supérieur) ou LOWER OVEN (four inférieur).
Chaque four peut être programmé indépendamment.
- Appuyer sur BAKE (cuisson au four).
Appuyer sur les touches numériques pour entrer une température autre que 350°F (177°C). La température de cuisson au four peut être réglée entre 170°F et 500°F (77°C et 260°C).
- Appuyer sur START (mise en marche).
- Appuyer sur OPTIONS puis sur la touche numérique "7". "SABBATH MODE" (mode Sabbat) apparaît sur l'afficheur du four.

Pour un réglage normal, minuté :

⚠ AVERTISSEMENT

Risque d'empoisonnement alimentaire

Ne pas laisser des aliments dans un four plus d'une heure avant ou après la cuisson.

Le non-respect de cette instruction peut causer un empoisonnement alimentaire ou une maladie.

Le mode Sabbat doit être activé avant de lancer le programme de cuisson au four. Voir la section "Activation".

- Sur les modèles à four double uniquement, appuyer sur UPPER OVEN (four supérieur) ou LOWER OVEN (four inférieur).
Chaque four peut être programmé indépendamment.
- Appuyer sur BAKE (cuisson au four).
Appuyer sur les touches numériques pour entrer une température autre que 350°F (177°C). La température de cuisson au four peut être réglée entre 170°F et 500°F (77°C et 260°C).

- Appuyer sur COOK TIME (durée de cuisson).
- Appuyer sur les touches numériques pour entrer la durée du mode Sabbat, jusqu'à 11 h 59.
- Appuyer sur START (mise en marche). Le four commence un programme de cuisson minuté.
L'heure de mise en marche et d'arrêt apparaissent sur l'afficheur.
- Appuyer sur OPTIONS puis sur la touche numérique "7". "SABBATH MODE" (mode Sabbat) apparaît sur l'afficheur du four.
- Lorsque l'heure d'arrêt est atteinte, le four s'éteint automatiquement. La commande du four reste en mode Sabbat jusqu'à ce qu'on appuie sur le bouton Off.

Changement de température

La température du four peut être modifiée lorsque le(s) four(s) est/sont en mode Sabbat. Aucun signal sonore ne retentit et l'affichage ne change pas. Les éléments chauffants ne s'allument ou ne s'éteignent pas pendant un certain temps, entre 16 et 24 secondes. Le changement de température du four peut prendre jusqu'à une demi-heure.

Les touches numériques de 1 à 0 représentent les températures. Utiliser le tableau suivant comme guide.

TOUCHE NUMÉRIQUE	TEMPÉRATURE DU FOUR
1	170°F (77°C)
2	200°F (95°C)
3	225°F (107°C)
4	250°F (120°C)
5	300°F (149°C)
6	325°F (163°C)
7	350°F (177°C)
8	375°F (191°C)
9	400°F (204°C)
0	450°F (232°C)

Pour changer la température :

Initialement sur les modèles à four double, les cavités peuvent être programmées à des températures différentes. Cependant, une fois que le mode Sabbat fonctionne, si la température est modifiée, les deux cavités utilisent la nouvelle température.

- Appuyer sur la touche numérique indiquée dans le tableau.
- Appuyer sur START (mise en marche).

UTILISATION DU FOUR

Les odeurs et la fumée sont normales lorsque le four est utilisé pour les premières fois, ou lorsqu'il est très sale.

Lors de l'utilisation du four, les éléments chauffants ne resteront pas allumés, mais fonctionneront par intermittence lorsque le four est en marche.

IMPORTANT : La santé de certains oiseaux est extrêmement sensible aux émanations de fumée. L'exposition à ces émanations peut causer la mort de certains oiseaux. Toujours déplacer les oiseaux dans une autre pièce fermée et bien aérée.

Papier d'aluminium

IMPORTANT : Pour éviter des dommages permanents au fini du fond du four, ne pas recouvrir le fond avec du papier d'aluminium, un revêtement quelconque ou un ustensile de cuisson.

- Pour assurer une bonne circulation de l'air et des résultats de cuisson optimaux, ne pas recouvrir la grille entière de papier d'aluminium.
- Pour récupérer les renversements, placer une feuille de papier d'aluminium sur la grille sur laquelle le mets est placé. Veiller à ce qu'elle dépasse d'au moins 1/2" (1,3 cm) tout autour du plat et à ce que les bords soient relevés.

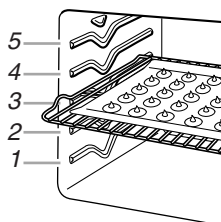
Positionnement des grilles et des ustensiles de cuisson

IMPORTANT : Pour éviter des dommages permanents au fini en porcelaine, ne pas placer d'aliments ou d'ustensiles de cuisson directement sur la porte ou le fond du four.

GRILLES

- Placer les grilles avant d'allumer le four.
- Ne pas installer les grilles lorsque des ustensiles de cuisson se trouvent dessus.
- S'assurer que les grilles sont d'aplomb.

Pour déplacer une grille, la tirer jusqu'à la butée d'arrêt, soulever le rebord avant et la tirer pour la sortir du four. Se servir de l'illustration et du tableau suivants comme guide.



Cuisson traditionnelle

ALIMENT	POSITION DE LA GRILLE*
Gros rôtis, dindes, gâteaux des anges et gâteaux Bundt, pains éclairs, tartes	1 ou 2
Pains à la levure, mets en sauce, viande et volaille	2
Biscuits, muffins et gâteaux	2 ou 3

*Sur les modèles dotés de la caractéristique CleanBake™, les aliments peuvent être placés sur une grille placée plus bas.

Cuisson par convection

RÉGLAGE DU FOUR	NOMBRE DE GRILLES UTILISÉES	POSITION(S) DE LA GRILLE
Cuisson au four par convection	1	1, 2 ou 3
Cuisson au four par convection	2	2 et 4
Cuisson au four par convection	3	1, 3 et 5
Rôtissage par convection	1	1, 2 ou 3
Cuisson au grill par convection	1	3 ou 4

USTENSILES DE CUISSON

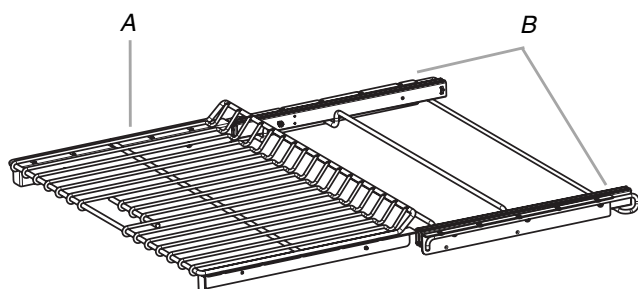
L'air chaud doit pouvoir circuler autour de l'aliment pour le cuire uniformément. Pour une cuisson traditionnelle, laisser 2" (5 cm) entre les ustensiles de cuisson et les parois du four. Pour une cuisson par convection, laisser 1" (2,5 cm) entre les ustensiles de cuisson et les parois du four. Utiliser le tableau suivant comme guide.

NOMBRE D'USTENSILES	POSITION SUR LA GRILLE
1	Centre de la grille.
2	Côte à côte ou légèrement décalés.
3 ou 4	Emplacements procurant les meilleurs résultats. S'assurer qu'aucun ustensile de cuisson ne se trouve directement au-dessus d'un autre.

Grille coulissante

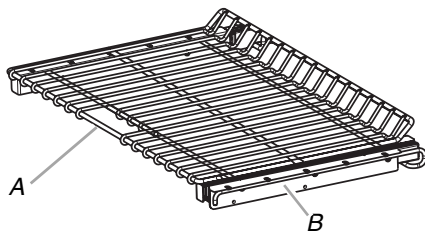
La grille coulissante permet un accès facile pour la mise au four et l'extraction d'un plat; on peut la placer à l'une des positions 1 à 4; ne pas essayer de placer la grille coulissante à la position 5... ce n'est pas possible.

Grille déployée



A. Grille coulissante
B. Étagère coulissante

Grille rétractée

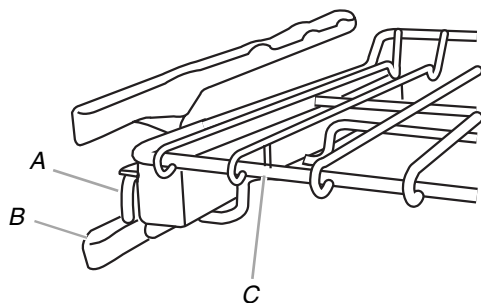


A. Grille coulissante
B. Étagère coulissante

Dépose de la grille coulissante :

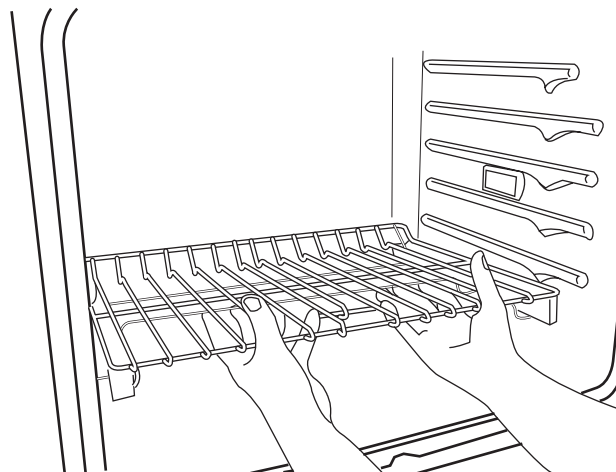
1. Rétracter complètement la grille pour qu'elle soit engagée sur l'étagère coulissante.
2. Employer les 2 mains - soulever ensemble le bord avant de la grille et l'étagère coulissante. Pousser doucement ces composants vers la paroi arrière du four pour que le bord avant de l'étagère coulissante soit en appui sur le guide situé de chaque côté du four.

Le bord avant de la grille et de l'étagère coulissante devrait alors être placé plus haut que le bord arrière.



A. Étagère coulissante
B. Guide de coulissement
C. Grille coulissante

3. Employer les 2 mains - soulever l'arrière de la grille et l'étagère coulissante pour placer l'avant et l'arrière au même niveau que le guide.



4. Tirer la grille et l'étagère coulissante hors du four.

Remise en place de la grille coulissante

1. Employer les 2 mains - saisir l'avant de la grille rétractée et l'étagère coulissante. Placer la grille rétractée et l'étagère coulissante sur le guide.
2. Pousser doucement la grille et l'étagère coulissante vers l'arrière du four jusqu'au point où le bord arrière de l'étagère coulissante s'abaisse.
3. Tirer la grille et l'étagère coulissante légèrement vers l'avant jusqu'au point où le bord avant s'abaisse (insertion de l'étagère coulissante dans le guide).

Pour éviter d'endommager l'étagère coulissante, ne pas placer sur la grille une charge de plus de 25 lb (11,4 kg).

Ne pas laver la grille coulissante au lave-vaisselle; un tel lavage éliminerait le lubrifiant et réduirait la qualité du glissement.

Pour d'autres informations, voir la section "Nettoyage général".

Ustensiles de cuisson

Le matériau des ustensiles de cuisson affecte les résultats de cuisson. Suivre les recommandations du fabricant et utiliser le format d'ustensiles recommandé dans la recette. Se servir du tableau suivant comme guide.

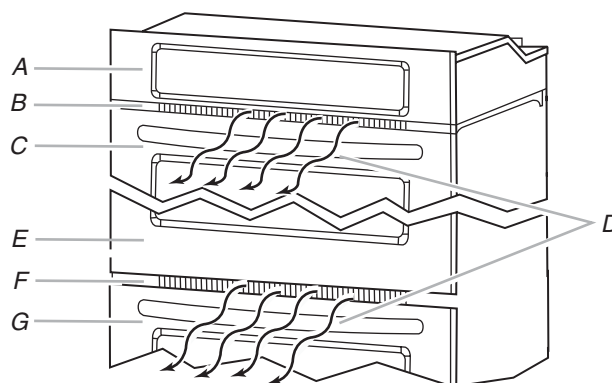
USTENSILES DE CUISSON/RÉSULTATS	RECOMMANDATIONS
Aluminium légèrement coloré <ul style="list-style-type: none"> ■ Croûtes légèrement dorées ■ Brunissage uniforme 	<ul style="list-style-type: none"> ■ Utiliser la température et la durée recommandées dans la recette.
Aluminium foncé et autres ustensiles de cuisson avec fini foncé, terne et/ou antiadhésif <ul style="list-style-type: none"> ■ Croûtes brunes, croustillantes 	<ul style="list-style-type: none"> ■ Peut nécessiter de réduire légèrement les températures de cuisson. ■ Utiliser la durée de cuisson suggérée. ■ Pour les tartes, pains et mets en sauce, utiliser la température recommandée dans la recette. ■ Placer la grille au centre du four.
Tôles à biscuits ou moules à cuisson à isolation thermique <ul style="list-style-type: none"> ■ Brunissage faible ou non existant à la base 	<ul style="list-style-type: none"> ■ Placer à la troisième position au bas du four. ■ Peut nécessiter d'augmenter le temps de cuisson.
Acier inoxydable <ul style="list-style-type: none"> ■ Croûtes dorées, légères ■ Brunissage inégal 	<ul style="list-style-type: none"> ■ Peut nécessiter d'augmenter le temps de cuisson.
Plats en grès/Pierre de cuisson <ul style="list-style-type: none"> ■ Croûtes croustillantes 	<ul style="list-style-type: none"> ■ Suivre les instructions du fabricant.
Plats en verre, vitrocéramique ou céramique allant au four <ul style="list-style-type: none"> ■ Croûtes brunes, croustillantes 	<ul style="list-style-type: none"> ■ Peut nécessiter de réduire légèrement la température de cuisson.

Thermomètre à viande

Sur les modèles sans sonde thermométrique, se servir d'un thermomètre à viande pour vérifier la cuisson de la viande, de la volaille et du poisson. C'est la température interne qui indique le degré de cuisson et non l'apparence. Il n'y a pas de thermomètre à viande fourni avec cet appareil.

- Insérer le thermomètre au centre de la partie la plus épaisse de la viande ou à l'intérieur de la cuisse ou de la poitrine de la volaille. La pointe du thermomètre ne doit pas toucher le gras, l'os ou le cartilage.
- Après une première lecture, enfoncer ½" (1,3 cm) de plus dans la viande et faire une autre lecture. Si la température est plus basse, faire cuire la viande ou la volaille plus longtemps.
- Vérifier toute viande, volaille et poisson à 2 ou 3 endroits.

Évent(s) du four



Four simple et double

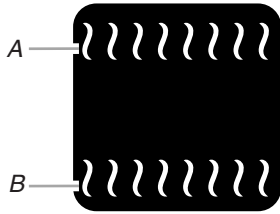
- A. Tableau de commande
- B. Évent du four
- C. Four simple ou four double supérieur
- D. Air chaud

Four double

- D. Air chaud
- E. Four supérieur
- F. Évent du four
- G. Four inférieur

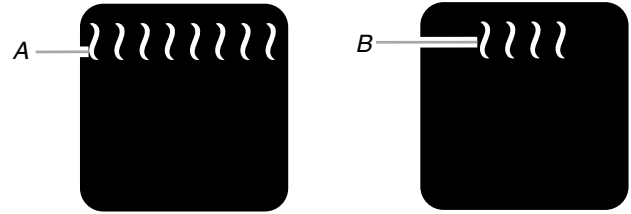
Ne pas obstruer ni couvrir les évents du four car ils permettent à l'air chaud et à l'humidité de s'échapper du four. Le fait d'obstruer ou de couvrir les évents nuit à la circulation adéquate de l'air et affecte les résultats de cuisson et de nettoyage.

Cuisson au four et rôtissage



A. Éléments du grill
B. Élément de cuisson au four

Cuisson au grill complet et central



A. Grill complet
B. Grill central

Durant la cuisson au four ou le rôtissage, les éléments de cuisson au four et du grill s'allument et s'éteignent par intermittence afin de maintenir la température du four.

Si la porte du four est ouverte pendant la cuisson au four ou le rôtissage, les éléments chauffants (cuisson au four et les deux éléments de grill) s'éteindront environ 30 secondes après l'ouverture de la porte. Ils se mettront de nouveau en marche environ 30 secondes après la fermeture de la porte.

Cuisson au four ou rôtissage :

Avant la cuisson au four ou le rôtissage, placer les grilles tel qu'indiqué à la section "Positionnement des grilles et des ustensiles de cuisson". Lors du rôtissage, il n'est pas nécessaire d'attendre que le four soit préchauffé avant de placer l'aliment au four, excepté si la recette le recommande.

1. Sur les modèles à four double uniquement, appuyer sur UPPER OVEN (four supérieur) ou LOWER OVEN (four inférieur).
Le symbole sur la cavité indique quel four a été choisi.
2. Appuyer sur BAKE (cuisson au four).
Appuyer sur les touches numériques pour entrer une température autre que 350°F (177°C). La température de cuisson au four peut être réglée entre 170°F et 500°F (77°C et 260°C).
3. Appuyer sur START (mise en marche).
"Lo" apparaît sur l'afficheur du four si la température réelle du four est inférieure à 170°F (77°C).
Lorsque la température réelle du four atteint 170°F (77°C), l'afficheur du four commence à indiquer la température alors qu'elle augmente.
Lorsque la température réglée est atteinte, un signal sonore (si activé) se fait entendre.
4. Appuyer sur OFF (arrêt), UPPER OVEN OFF (arrêt du four supérieur) ou LOWER OVEN OFF (arrêt du four inférieur) lorsque la cuisson est terminée.

La cuisson au grill utilise la chaleur radiante directe pour cuire les aliments.

Pendant la cuisson au grill complet, les deux éléments (extérieur et intérieur) chauffent. Pendant la cuisson au grill central, seul l'élément intérieur chauffe. Le ou les élément(s) s'allument et s'éteignent par intermittence pour maintenir la température du four.

Si la porte du four est ouverte pendant la cuisson au grill, le ou les élément(s) du grill s'éteignent au bout de 30 secondes environ. Lorsque la porte du four est refermée, les éléments se rallument environ 30 secondes plus tard.

- Pour obtenir les meilleurs résultats, utiliser une lèchefrite et sa grille. Elle est conçue pour laisser s'écouler les jus et aider à éviter les éclaboussures et la fumée.
Il est possible de commander un ensemble de lèchefrite si vous souhaitez en acheter un. Voir la section "Assistance ou service" pour commander. Demander la pièce numéro W10123240.
- Pour un écoulement approprié, ne pas couvrir la grille de papier d'aluminium. Le fond de la lèchefrite peut être garni de papier d'aluminium pour en faciliter le nettoyage.
- Enlever l'excès de gras pour réduire les éclaboussures. Entailler le gras résiduel sur les côtés pour éviter que la viande se recroqueville.
- Sortir la grille jusqu'à la butée d'arrêt avant de tourner ou d'enlever les aliments. Utiliser une pince pour tourner les aliments et éviter la perte de jus. Il est possible qu'il ne soit pas nécessaire de tourner les coupes très minces de poisson, de volaille ou de viande.
- Après la cuisson au grill, sortir la lèchefrite du four en même temps que l'aliment. Ce qui reste au fond de la lèchefrite cuira si on la laisse dans le four encore chaud, rendant le nettoyage plus difficile.

Cuisson au grill :

Avant la cuisson au grill, placer la grille tel qu'indiqué dans le tableau de cuisson au grill.

Pendant la cuisson au grill, le changement de température permet un contrôle plus précis. Plus la température est basse, plus la cuisson est lente. Les morceaux épais et de forme irrégulière de viande, de poisson et de volaille cuisent mieux à des températures de cuisson au grill plus basses.

Placer l'aliment sur la grille de la lèchefrite, puis placer celle-ci au centre de la grille du four, avec le côté le plus long de la lèchefrite parallèle à la porte du four. Il n'est pas nécessaire de préchauffer le four avant d'y placer les aliments, sauf si la recette le recommande.

Fermer la porte.

1. Sur les modèles à four double uniquement, appuyer sur UPPER OVEN (four supérieur) ou LOWER OVEN (four inférieur).
Le symbole sur la cavité indique quel four a été choisi.
2. Appuyer une fois sur BROIL pour le gril complet, deux fois pour le gril central.
Appuyer sur les touches numériques pour entrer une température autre que 500°F (260°C). La température de cuisson au gril peut être réglée entre 170°F et 500°F (77°C et 260°C).
3. Appuyer sur START (mise en marche).
La température du four réglée apparaît sur l'afficheur du four jusqu'à ce que le four soit éteint.
4. Appuyer sur OFF (arrêt), UPPER OVEN OFF (arrêt du four supérieur) ou LOWER OVEN OFF (arrêt du four inférieur) lorsque la cuisson est terminée.

TABLEAU DE CUISSON AU GRIL

Pour obtenir les meilleurs résultats, placer l'aliment à au moins 3" (7 cm) des éléments du gril; la position de la grille au niveau 4 est recommandée. Pour le schéma, voir la section "Positionnement des grilles et des ustensiles de cuisson".

Le réglage de température à 500°F (260°C) est recommandé.

Les durées de cuisson sont citées à titre indicatif seulement; on peut les ajuster en fonction des aliments et des goûts personnels.

ALIMENTS	DURÉE DE CUISSON (en minutes)
Bœuf	
Steak 1" à 1¼" (2,5 cm à 3 cm) d'épaisseur saignant à point	15 à 17
à point	17 à 19
bien cuit	20 à 24
Porc	
Côtelettes de porc 1" (2,5 cm) d'épaisseur à point	16 à 18
Agneau	
Côtelettes d'agneau 1" (2,5 cm) d'épaisseur saignant à point	10 à 12
à point	11 à 13
Viandes hachées	
Bœuf haché, galettes de porc ou d'agneau* ¾" (2 cm) d'épaisseur bien cuit	16 à 18
Poulet	
Poulet morceaux avec os (2" à 2 ½" [5 à 6,3 cm])	20 à 30
morceaux désossés (4 oz [113 g])	12 à 15
Poisson	
Poisson ½" à ¾" (1,25 à 2 cm) d'épaisseur	6 à 9

*Placer jusqu'à 12 galettes, à distance égale, sur la grille de la lèchefrite.

Cuisson par convection

(four simple et supérieur et, sur certains modèles, four inférieur)

Dans un four à convection, l'air chaud que fait circuler le ventilateur distribue la chaleur de façon continue et plus uniformément que le mouvement naturel de l'air dans un four thermique standard. Ce déplacement de l'air chaud aide à maintenir une température constante dans tout le four, permettant de cuire les aliments plus uniformément, en plus de donner des surfaces et du pain croustillants tout en conservant l'humidité.

La plupart des aliments peuvent être cuits en réduisant les températures de cuisson de 25°F à 50°F (14°C à 28°C) et la durée de cuisson peut être réduite jusqu'à 30 pour cent, surtout pour les gros rôtis et dindes.

- Il est important de ne pas couvrir les aliments avec des couvercles ou du papier d'aluminium de telle sorte que la surface reste exposée au déplacement de l'air, permettant ainsi le brunissage et le croustillant.
- Éviter au maximum la perte de chaleur en ouvrant la porte du four seulement lorsque c'est nécessaire.
- Choisir des tôles à biscuits sans bords et des plats de rôtissage à côtés plus bas pour permettre à l'air de circuler librement autour de l'aliment.
- Vérifier la cuisson des aliments quelques minutes avant le temps de cuisson minimum, avec un cure-dents par exemple.

⚠ AVERTISSEMENT



Risque de brûlures

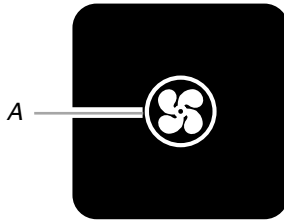
Utiliser des mitaines de four pour retirer la sonde thermométrique.

Ne pas toucher l'élément du gril.

Le non-respect de ces instructions peut causer des brûlures.

- Utiliser un thermomètre à viande ou la sonde thermométrique pour déterminer le degré de cuisson des viandes et de la volaille. Vérifier la température du porc et de la volaille à 2 ou 3 endroits.

Cuisson au four par convection



A. Élément de convection T.H.E.™ (dissimulé) et ventilateur

L'élément de convection T.H.E.™ (troisième élément dissimulé) est dissimulé dans le panneau arrière de la cavité du four, et assisté par le ventilateur de convection, assure un chauffage efficace et équilibré.

La cuisson au four par convection peut être utilisée pour cuire des gâteaux délicats et des pâtisseries ainsi que des aliments sur plusieurs grilles. Il est utile de décaler les articles sur les grilles pour permettre une circulation plus uniforme de la chaleur. Si le four est plein, il faudra peut-être allonger la durée de cuisson.

Lors de la cuisson au four d'un repas comportant plusieurs types différents d'aliments, veiller à choisir des recettes nécessitant des températures semblables. Prévoir un espace d'au moins 1" (2,5 cm) entre l'ustensile de cuisson et les parois du four.

Lors du préchauffage pour la cuisson au four par convection, les éléments de convection T.H.E.™ et du gril et l'élément CleanBake™ chauffent tous la cavité du four. Après le préchauffage, l'élément de convection T.H.E.™ et l'élément CleanBake™ s'allument et s'éteignent par intermittence pour maintenir le four à température constante pendant que le ventilateur fait circuler l'air chaud de façon continue.

Si la porte du four est ouverte pendant la cuisson par convection, le ventilateur s'éteint immédiatement lorsque la porte est ouverte et s'allume immédiatement lorsque la porte est fermée. Les éléments de convection, de cuisson au four et de cuisson au gril (seulement pendant le préchauffage) s'éteignent environ 30 secondes après l'ouverture de la porte. Ils se remettent de nouveau en marche environ 30 secondes après la fermeture de la porte.

- Réduire la température de la recette de 25°F (14°C). Il peut aussi être nécessaire de réduire la durée de cuisson.

Cuisson au four par convection :

Avant la cuisson au four par convection, placer les grilles tel qu'indiqué à la section "Positionnement des grilles et des ustensiles de cuisson". Lors de l'utilisation de 2 grilles, les placer aux positions 2 et 4. Lors de l'utilisation de 3 grilles, les placer aux positions 1, 3 et 5.

1. Sur les modèles de fours doubles uniquement, appuyer sur UPPER OVEN (four supérieur) ou LOWER OVEN (four inférieur).

Le symbole sur la cavité indique quel four a été choisi.

2. Appuyer sur CONVECTION BAKE (cuisson par convection).

Appuyer sur les touches numériques pour entrer une température autre que 325°F (163°C). La température de cuisson au four par convection peut être réglée entre 170°F et 500°F (77°C et 260°C).

3. Appuyer sur START (mise en marche).

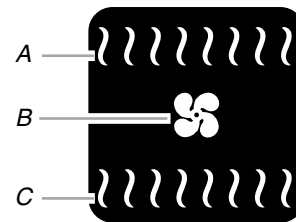
"Lo°" apparaît sur l'afficheur du four si la température réelle du four est inférieure à 170°F (77°C).

Lorsque la température réelle du four atteint 170°F (77°C), l'afficheur du four indique les augmentations de température.

Lorsque la température réglée est atteinte, un signal sonore se fait entendre (si activé).

4. Appuyer sur OFF (arrêt), UPPER OVEN OFF (arrêt du four supérieur) ou, sur certains modèles, LOWER OVEN OFF (arrêt du four inférieur) lorsque la cuisson est terminée.

Rôtissage par convection



A. Chaleur de l'élément du gril

B. Ventilateur de convection

C. Chaleur de l'élément de cuisson au four

Le rôtissage par convection peut être utilisé pour faire rôtir les viandes et la volaille ou pour faire cuire des pains à levure et des quatre-quarts sur une seule grille. Durant le rôtissage par convection, les éléments de cuisson au gril, de cuisson par convection et CleanBake™ s'allument et s'éteignent par intermittence pour maintenir le four à température constante, tandis que le ventilateur fait circuler l'air chaud de façon continue.

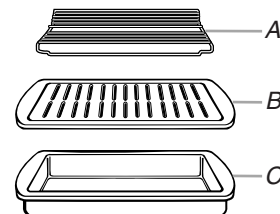
Si la porte du four est ouverte pendant le rôtissage par convection, le ventilateur s'éteint immédiatement lorsque la porte est ouverte et s'allume immédiatement lorsque la porte est fermée. Les éléments de cuisson au four, de cuisson au gril et de cuisson par convection s'éteignent environ 30 secondes après l'ouverture de la porte. Ils se remettent de nouveau en marche environ 30 secondes après la fermeture de la porte.

- Réduire la température de la recette de 25°F (14°C). Il peut aussi être nécessaire de réduire la durée de cuisson.

Rôtissage par convection :

Avant le rôtissage par convection, placer les grilles tel qu'indiqué à la section "Positionnement des grilles et des ustensiles de cuisson". Il n'est pas nécessaire de préchauffer le four avant d'y placer l'aliment, sauf si la recette le recommande.

Utiliser la grille de rôtissage au-dessus de la lèchefrite et de sa grille. Ce positionnement garde l'aliment au-dessus de la grille et permet la libre circulation de l'air autour de toutes les surfaces.



A. Grille de rôtissage

B. Grille de la lèchefrite

C. Lèchefrite

- Sur les modèles de fours doubles uniquement, appuyer sur UPPER OVEN (four supérieur) ou, sur certains modèles, LOWER OVEN (four inférieur).
Le symbole sur la cavité indique quel four a été choisi.
- Appuyer sur CONVECTION ROAST (rôtissage par convection).
Appuyer sur les touches numériques pour entrer une température autre que 325°F (163°C). La température de rôtissage par convection peut être réglée entre 170°F et 500°F (77°C et 260°C).
- Appuyer sur START (mise en marche).
"Lo" apparaît sur l'afficheur du four si la température réelle du four est inférieure à 170°F (77°C).
Lorsque la température réelle du four atteint 170°F (77°C), l'afficheur du four indique les augmentations de température.
Lorsque la température réglée est atteinte, un signal sonore se fait entendre (si activé).
- Appuyer sur OFF (arrêt), UPPER OVEN OFF (arrêt du four supérieur) ou, sur certains modèles, LOWER OVEN OFF (arrêt du four inférieur) lorsque la cuisson est terminée.

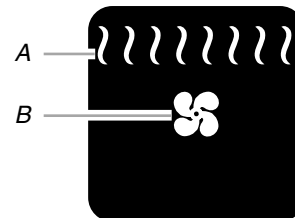
TABLEAU DE RÔTISSAGE PAR CONVECTION

ALIMENTS/ POSITION DE LA GRILLE	DURÉE DE CUISSON (min par 1 lb [454 g])	TEMP. DU FOUR	TEMP. INTERNE DES ALIMENTS
Bœuf, position de grille 2			
Rôti de côte			
saignant	20-25		140°F (60°C)
à point	25-30	300°F (149°C)	160°F (71°C)
bien cuit	30-35		170°F (77°C)
Rôti de côte (désossé)			
saignant	22-25		140°F (60°C)
à point	27-30	300°F (149°C)	160°F (71°C)
bien cuit	32-35		170°F (77°C)
Rumsteck, Rôti d'ailoyau			
saignant			
à point	20-25	300°F (149°C)	140°F (60°C)
bien cuit	25-30		160°F (71°C)
Pain de viande	30-35		170°F (77°C)
	20-25	325°F (163°C)	165°F (74°C)
Veau, position de grille 2			
Longe, côte, rumsteak			
Rôti			
à point	25-35	325°F (163°C)	160°F (71°C)
bien cuit	30-40		170°F (77°C)
Porc, position de grille 2			
Rôti de longe (désossé)			
	30-40	325°F (163°C)	160°F-170°F (71°C-77°C)
Rôti d'épaule			
	35-40	325°F (163°C)	160°F-170°F (71°C-77°C)

ALIMENTS/ POSITION DE LA GRILLE	DURÉE DE CUISSON (min par 1 lb [454 g])	TEMP. DU FOUR	TEMP. INTERNE DES ALIMENTS
Jambon, position de grille 2			
Frais (non cuit)	25-35	300°F (149°C)	160°F (71°C)
Entièrement cuit	15-20	300°F (149°C)	160°F (71°C)
Agneau, position de grille 2			
Gigot, rôti d'épaule			
à point	25-30	300°F (149°C)	160°F (71°C)
bien cuit	30-35		170°F (77°C)
Poulet*, position de grille 2			
Entier			
3 à 5 lb (1,5 à 2,2 kg)	20-25	325°F (163°C)	180°F (82°C)
5 à 7 lb (2,2 à 3,1 kg)	15-20	325°F (163°C)	180°F (82°C)
Dinde*, position de grille 1 ou 2			
13 lb et moins (5,85 kg)	10-15	300°F (149°C)	180°F (82°C)
Plus de 13 lb (5,85 kg)	10-12	300°F (149°C)	180°F (82°C)
Poulet de Cornouailles*, position de grille 2 ou 3			
1 à 1,5 lb (0,5 à 0,7 kg)	50-60	325°F (163°C)	180°F (82°C)

*Ne pas farcir la volaille lors du rôtissage par convection.

Cuisson au grill par convection



A. Chaleur de l'élément du grill
B. Ventilateur de convection

Durant la cuisson au grill par convection, les éléments de cuisson au grill s'allument et s'éteignent par intermittence pour maintenir le four à température constante pendant que le ventilateur fait circuler l'air chaud de façon continue.

La température est pré-réglée à 450°F (232°C), mais elle peut être modifiée. Les durées de cuisson varient en fonction de la position de la grille et de la température et il peut être nécessaire de les ajuster.

Si la porte du four est ouverte pendant la cuisson au grill par convection, le ventilateur s'éteint immédiatement lorsque la porte est ouverte et s'allume immédiatement lorsque la porte est fermée. Les éléments de cuisson au grill s'éteignent environ 30 secondes après l'ouverture de la porte. Ils se remettent de nouveau en marche environ 30 secondes après la fermeture de la porte.

Cuisson au grill par convection :

Avant la cuisson au grill par convection, voir la section “Cuisson au grill complète et centrale” pour des renseignements généraux sur la cuisson au grill. Positionner la grille.

Laisser le four préchauffer pendant 5 minutes. Placer l'aliment sur la grille non chauffée sur la lèchefrite, puis placer celle-ci au centre de la grille du four, avec le côté le plus long de la lèchefrite parallèle à la porte du four.

Fermer la porte.

1. Sur les modèles de fours doubles uniquement, appuyer sur UPPER OVEN (four supérieur) ou, sur certains modèles, LOWER OVEN (four inférieur).
Le symbole sur la cavité indique quel four a été choisi.
2. Appuyer sur CONVECTION BROIL (cuisson au grill par convection).
Appuyer sur les touches numériques pour entrer une température autre que 450°C (232°C). La température de cuisson au grill par convection peut être réglée entre 170°F et 500°F (77°C et 260°C).
3. Appuyer sur START (mise en marche).
La température réglée du four apparaît sur l'afficheur du four jusqu'à ce que le four soit éteint.
4. Appuyer sur OFF (arrêt), UPPER OVEN OFF (arrêt du four supérieur) ou, sur certains modèles, LOWER OVEN OFF (arrêt du four inférieur) lorsque la cuisson est terminée.

Conversion de la température de convection EasyConvect™ (four simple et supérieur et, sur certains modèles, four inférieur)

Les températures et durées par convection sont différentes de celles de la cuisson standard. Le four peut réduire automatiquement les températures et les durées de cuisson des recettes standard pour la cuisson par convection.

La conversion peut ne pas être exacte car les aliments sont regroupés en catégories générales. Afin d'assurer des résultats de cuisson satisfaisants, le four vous incitera à vérifier la cuisson des aliments à la fin de la période de cuisson non différée. Utiliser le tableau suivant comme guide.

RÉGLAGE	ALIMENTS
PRODUITS DE BOULANGERIE	Biscuits, pains : à cuisson rapide, à levure, Gâteaux et biscuits Plats en sauce : incluant les plats surgelés et les soufflés Poisson
VIANDES	Pommes de terre au four Poulet : entier et en morceaux, pain de viande, Rôtis : porc, boeuf et jambon Les dindes et les grosses volailles ne sont pas mentionnées car leur durée de cuisson est variable.
AUTRES ALIMENTS	Plats cuisinés : frites, pépites, bâtonnets de poisson, pizza, Tartes : fruit et flan

Utilisation :

Avant de convertir la température de convection pour BAKED GOODS (produits de boulangerie) et OTHER FOODS (autres aliments), laisser le four préchauffer avant de placer l'aliment dans le four.

1. Sur les modèles de fours doubles uniquement, appuyer sur UPPER OVEN (four supérieur) ou, sur certains modèles, LOWER OVEN (four inférieur).
Le symbole sur la cavité indique quel four a été choisi
2. Appuyer sur BAKED GOODS (produits de boulangerie), MEATS (viandes) ou OTHER FOODS (autres aliments).
3. Appuyer sur les touches numériques pour entrer la température de cuisson standard.
4. Appuyer sur les touches numériques pour entrer la durée de cuisson standard.
5. Appuyer sur START (mise en marche).
“CHECK FOOD AT” (vérifier les aliments) et l'heure d'arrêt apparaissent sur l'afficheur, après la fin du préchauffage.
Lorsque l'heure d'arrêt est atteinte, des signaux de fin de programme sont émis, si activés. Ouvrir la porte et vérifier la cuisson des aliments.
6. Appuyer sur OFF (arrêt), UPPER OVEN OFF (arrêt du four supérieur) ou, sur certains modèles, LOWER OVEN OFF (arrêt du four inférieur) lorsque la cuisson est terminée.

Levée du pain

La levée du pain prépare la pâte pour la cuisson en activant la levure. Sauf indication contraire de la recette, il est recommandé de procéder à une double levée.

Pour faire lever le pain :

Avant la première levée, placer la pâte dans un bol légèrement graissé et recouvrir de papier ciré, enduit de shortening. Placer sur la grille en position 2, puis placer la lèchefrite en position 1. Voir la section “Positionnement des grilles et des ustensiles de cuisson” pour un dessin. Fermer la porte.

1. Sur les modèles à four double uniquement, appuyer sur UPPER OVEN (four supérieur) ou LOWER OVEN (four inférieur).
Le symbole sur la cavité indique quel four a été choisi.
2. Appuyer sur BREAD PROOF (levée du pain). L'afficheur indique 100°F (38°C).
3. Appuyer sur START (mise en marche).
Laisser la pâte monter jusqu'à doubler de volume, en vérifiant après 20 à 25 minutes. La durée de levée dépend du type et de la quantité de pâte.
4. Appuyer sur OFF (arrêt), UPPER OVEN OFF (arrêt du four supérieur) ou LOWER OVEN OFF (arrêt du four inférieur) lorsque la levée du pain est terminée.

Avant la deuxième levée, façonner la pâte, la placer dans un ou des moules et la recouvrir légèrement de pellicule de plastique enduite à l'aide d'un aérosol à cuisson. Reprendre le même placement et suivre les étapes de commande mentionnées ci-dessus. Avant de faire cuire, enlever la pellicule de plastique.

Sonde thermométrique (four simple et supérieur et, sur certains modèles, four inférieur)

AVERTISSEMENT



Risque de brûlures

Utiliser des mitaines de four pour retirer la sonde thermométrique.

Ne pas toucher l'élément du grill.

Le non-respect de ces instructions peut causer des brûlures.

La sonde thermométrique mesure précisément la température interne de la viande, de la volaille et des mets en sauce liquides et doit être utilisée pour déterminer le degré de cuisson de la viande et de la volaille. Elle ne doit pas être utilisée en même temps que le grill central et complet, le grill par convection, la déshydratation ou lorsqu'on fait lever du pain.

Toujours débrancher et retirer la sonde thermométrique du four lorsqu'on retire les aliments.

Utilisation :

Avant l'utilisation, insérer la sonde à l'intérieur de l'aliment. (Pour les viandes, l'extrémité de la sonde doit se situer au centre de la partie la plus épaisse de la viande et non dans le gras ou au contact d'un os). Placer les aliments dans le four et connecter la sonde thermométrique à la prise. Maintenir la sonde aussi loin que possible de la source de chaleur. Fermer la porte du four.

1. Sur les modèles de fours doubles uniquement, appuyer sur UPPER OVEN (four supérieur) ou LOWER OVEN (four inférieur).

Cette étape est nécessaire uniquement si une sonde thermométrique est branchée dans la cavité supérieure et inférieure ou même moment. Si on utilise une seule sonde thermométrique, la cavité sondée est automatiquement celle du four sur lequel est branchée la sonde thermométrique.

2. Appuyer sur les touches numériques pour entrer une température pour la sonde autre que 160°F (75°C). La température de la sonde est la température interne désirée de l'aliment quand il est cuit. La température peut être réglée entre 130°F et 190°F (55°C et 85°C).
3. Appuyer sur BAKE (cuisson au four), CONVECT BAKE (cuisson au four par convection) ou CONVECT ROAST (rôtissage par convection).

Appuyer sur les touches numériques pour entrer une température autre que celle qui est affichée. La température du four correspond à la température indiquée par la recette.

4. Appuyer sur START (mise en marche).

La température de four réglée apparaîtra sur l'afficheur du four pendant la cuisson.

“Lo°” apparaîtra comme la température de la sonde jusqu'à ce que la température interne des aliments atteigne 130°F (54°C). L'afficheur montre ensuite les augmentations de température.

Lorsque la température de réglage de la sonde est atteinte, le four s'arrête automatiquement et “Cooking Complete” (cuisson terminée) apparaît sur l'afficheur du four.

Les signaux sonores de fin de programme se font entendre (si activés), suivis des signaux de rappel à intervalles d'une minute.

5. Appuyer sur OFF (arrêt), UPPER OVEN OFF (arrêt du four supérieur) ou, sur certains modèles, LOWER OVEN OFF (arrêt du four inférieur) ou ouvrir la porte du four pour effacer l'affichage et/ou arrêter les signaux sonores de rappel.
6. Toujours débrancher et retirer la sonde thermométrique du four lorsqu'on retire les aliments. Le symbole de la sonde restera allumé jusqu'à ce que la sonde soit débranchée.

Pour modifier la température de la sonde, le réglage du four :

1. Débrancher la sonde, la brancher à nouveau, puis fermer la porte du four.
2. Suivre les étapes 1 à 6 dans la section “Utilisation”.

Cuisson minutée

AVERTISSEMENT

Risque d'empoisonnement alimentaire

Ne pas laisser des aliments dans un four plus d'une heure avant ou après la cuisson.

Le non-respect de cette instruction peut causer un empoisonnement alimentaire ou une maladie.

La cuisson minutée permet d'allumer le(s) four(s) à une certaine heure de la journée, de faire cuire pendant une durée réglée et/ou d'éteindre le(s) four(s) automatiquement. La mise en marche différée ne doit pas être utilisée pour les aliments tels que pains et gâteaux car ils risquent de ne pas bien cuire.

Réglage d'une durée de cuisson :

1. Sur les modèles de fours doubles uniquement, appuyer sur UPPER OVEN (four supérieur) ou LOWER OVEN (four inférieur).

Le symbole sur la cavité indiquera quel four a été choisi.

- Appuyer sur BAKE (cuisson au four), CONVECTION BAKE (cuisson au four par convection) ou CONVECTION ROAST (rôtissage par convection).

Appuyer sur les touches numériques pour entrer une température autre que celle qui est affichée. La température de cuisson au four peut être réglée entre 170°F et 500°F (77°C et 260°C).

La cuisson minutée peut également être utilisée avec la fonction Levée du pain, mais la température n'est pas modifiable.

- Appuyer sur COOK TIME (durée de cuisson).
- Appuyer sur les touches numériques pour entrer la durée de cuisson.
- Appuyer sur START (mise en marche).

Le compte à rebours en minutes apparaîtra sur l'affichage du four. L'heure de début et de fin ne s'affichent pas avant la fin du préchauffage du four.

Sur les modèles de four double uniquement, lorsque les fours supérieur et inférieur sont utilisés au même moment, appuyer sur UPPER OVEN (four supérieur) ou LOWER OVEN (four inférieur) pour afficher les durées de cuisson respectives.

Lorsque l'heure d'arrêt est atteinte, le four s'arrête automatiquement et "cooking complete" (cuisson terminée) apparaît sur l'afficheur du four.

Les signaux sonores de fin de programme se font entendre (si activés), suivis des signaux de rappel à intervalles d'une minute.

- Appuyer sur OFF (arrêt), UPPER OVEN OFF (arrêt du four supérieur) ou LOWER OVEN OFF (arrêt du four inférieur) ou ouvrir la porte du four pour effacer l'affichage et/ou arrêter les signaux sonores de rappel.

Réglage de la durée de cuisson et de l'heure d'arrêt :

Avant le réglage, s'assurer que l'horloge est réglée à l'heure exacte. Voir la section "Horloge".

- Sur les modèles de fours doubles uniquement, appuyer sur UPPER OVEN (four supérieur) ou LOWER OVEN (four inférieur).

Le symbole sur la cavité indiquera quel four a été choisi.

- Appuyer sur BAKE (cuisson au four), CONVECTION BAKE (cuisson au four par convection) ou CONVECTION ROAST (rôtissage par convection).

Appuyer sur les touches numériques pour entrer une température autre que celle qui est affichée. La température de cuisson au four peut être réglée entre 170°F et 500°F (77°C et 260°C).

La cuisson minutée peut également être utilisée avec la fonction Levée du pain, mais la température n'est pas modifiable.

- Appuyer sur COOK TIME (durée de cuisson).
- Appuyer sur les touches numériques pour entrer la durée de cuisson.
- Appuyer sur STOP TIME (heure d'arrêt).
- Appuyer sur les touches numériques pour entrer l'heure d'arrêt.

- Appuyer sur START (mise en marche).

L'heure de mise en marche est calculée et affichée automatiquement.

"DELAY" et l'heure d'arrêt apparaissent aussi sur l'affichage du four.

Lorsque l'heure de mise en marche est atteinte, le four s'allume automatiquement. Le compte à rebours en minutes apparaîtra sur l'affichage du four.

Lorsque l'heure d'arrêt est atteinte, le four s'arrête automatiquement et "cooking complete" (cuisson terminée) apparaît sur l'afficheur du four.

Les signaux sonores de fin de programme se font entendre (si activés), suivis des signaux de rappel à intervalles d'une minute.

- Appuyer sur OFF (arrêt), UPPER OVEN OFF (arrêt du four supérieur) ou LOWER OVEN OFF (arrêt du four inférieur) ou ouvrir la porte du four pour effacer l'affichage et/ou arrêter les signaux sonores de rappel.

Déshydratation

(modèles à convection - porte fermée)

La déshydratation est une méthode utilisée pour conserver la nourriture. De nombreux facteurs, tels que la qualité de la nourriture fraîche, les techniques de prétraitement, la taille et l'épaisseur des aliments, ainsi que le climat peuvent affecter le produit fini.

Pendant la déshydratation, la chaleur est utilisée pour expulsé l'humidité et la circulation d'air est utilisée pour déplacer l'humidité.

Consulter un manuel de conseil ou un ouvrage pour obtenir des informations supplémentaires concernant la déshydratation et la conservation de la nourriture.

Déshydratation :

Placer les grilles tel qu'indiqué dans le tableau suivant. Voir la section "Positionnement des grilles et des ustensiles de cuisson" pour une illustration.

NOMBRE DE GRILLES	POSITION(S) DE LA (DES) GRILLE(S)
1	3
2	2 et 4
3	1, 3 et 5

- Fermer la porte du four.
- Appuyer sur OPTIONS puis sur 5.
- Sur les modèles de fours doubles uniquement, appuyer sur UPPER OVEN (four supérieur) ou LOWER OVEN (four inférieur).
Le symbole sur la cavité indiquera quel four a été choisi.
- Appuyer sur les touches numériques pour entrer une température autre que 140°F (60°C). La température déshydratation peut être réglée entre 100°F et 200°F (38°C et 93°C).
- Appuyer sur START (mise en marche).
- Appuyer sur OFF (arrêt), UPPER OVEN OFF (arrêt du four supérieur) ou, sur certains modèles, LOWER OVEN OFF (arrêt du four inférieur) lorsque la déshydratation est terminée.

REMARQUE : Le four s'éteint automatiquement après 12 heures. Cependant, certains aliments peuvent nécessiter plus de 12 heures de déshydratation. Dans ce cas, le four devra être remis en marche.

ENTRETIEN DU FOUR

Programme d'autonettoyage

AVERTISSEMENT



Risque de brûlures

Ne pas toucher le four au cours du programme d'autonettoyage.

Garder les enfants loin du four au cours du programme d'autonettoyage.

Le non-respect de ces instructions peut causer des brûlures.

IMPORTANT : La santé de certains oiseaux est très sensible aux émanations qui surviennent durant le programme d'autonettoyage. L'exposition aux émanations peut entraîner la mort de certains oiseaux. Toujours déplacer les oiseaux dans une autre pièce fermée et bien aérée.

Procéder à l'autonettoyage du four avant qu'il ne devienne très sale. Les saletés intenses nécessitent un nettoyage plus long et dégagent plus de fumée.

Veiller à ce que la cuisine soit bien aérée pendant le programme d'autonettoyage afin d'aider à éliminer la chaleur, les odeurs et la fumée.

Ne pas obstruer le ou les événements du four durant le programme d'autonettoyage. L'air doit pouvoir circuler librement. Selon votre modèle, voir la section "Évent du four" ou "Événements du four".

Ne pas nettoyer, frotter, endommager ou déplacer le joint d'étanchéité de la porte du four. Le joint de la porte est essentiel pour une bonne étanchéité.

Préparation du four :

- Sortir du four la lèchefrite, la grille et les ustensiles de cuisson au four et, sur certains modèles, la sonde thermométrique.
Sortir les grilles du four pour les garder brillantes et pour qu'elles glissent facilement. Voir la section "Nettoyage général" pour plus de renseignements.
- Enlever tout papier d'aluminium du four ; celui-ci risquerait de brûler ou de fondre et d'endommager le four.
- Nettoyer manuellement l'intérieur de la porte et une zone de 1½" (3,8 cm) sur le pourtour du cadre de la cavité du four, en prenant soin de ne pas déplacer ni plier le joint d'étanchéité. Cette section ne devient pas assez chaude au cours du programme d'autonettoyage pour pouvoir éliminer la saleté. Ne pas laisser de l'eau, un nettoyant, etc. pénétrer dans les fentes du cadre de la porte. Nettoyer cette zone avec un chiffon humide.

- Essuyer toute saleté décollée afin de réduire la fumée et d'éviter les dommages. À des températures élevées, les aliments réagissent avec la porcelaine. Cette réaction peut causer des taches, des attaques, des piqûres ou de légères taches blanches. Ceci n'affectera pas la performance de cuisson.

Comment fonctionne le programme

IMPORTANT : Le chauffage et le refroidissement de la porcelaine sur l'acier dans le four peuvent causer une décoloration, une perte de fini luisant, des fissures minuscules et des sons saccadés.

Le programme d'autonettoyage utilise des températures très élevées, en brûlant les saletés pour les réduire en cendre.

Le four est préréglé pour un programme de nettoyage de 3 h 30, mais la durée peut être modifiée. Les durées de nettoyage suggérées sont de 2 h 30 pour des saletés légères et entre 3 h 30 et 4 h 30 pour des saletés moyennes à abondantes.

Utiliser le tableau ci-dessous comme guide pour déterminer le niveau de nettoyage désiré.

NIVEAU DE NETTOYAGE	DURÉE DE NETTOYAGE TOTALE (inclut 30 minutes de période de refroidissement)
1 (Rapide)	2 heures 30 minutes
2	3 heures
3 (Normal)	3 heures 30 minutes
4	4 heures
5 (Maximum)	4 heures 30 minutes

Lorsque le four a complètement refroidi, retirer la cendre avec un chiffon humide. Pour éviter de casser le verre, ne pas appliquer de chiffon froid humide sur le hublot de la porte interne avant qu'il n'ait complètement refroidi.

La lampes du four ne fonctionnent pas durant le programme d'autonettoyage.

Sur les modèles à four double, l'autonettoyage ne peut être utilisé que sur un four à la fois. Si l'un des fours est réglé pour l'autonettoyage, il est impossible de régler ou de mettre en marche l'autre four.

REMARQUE : Le four possède un ventilateur de refroidissement à 2 vitesses. Pendant l'autonettoyage, le(s) ventilateur(s) fonctionne(nt) à la vitesse la plus élevée pour augmenter le flux d'air et faciliter l'évacuation de l'air chaud à travers les événements du four. Une augmentation du bruit peut être constatée pendant et après le programme d'autonettoyage jusqu'au refroidissement du four.

Autonettoyage :

Avant l'autonettoyage, s'assurer que la porte est complètement fermée sinon elle ne se verrouillera pas et le programme ne commencera pas.

1. Sur les modèles à four double uniquement, appuyer sur UPPER OVEN (four supérieur) ou LOWER OVEN (four inférieur).
Le symbole sur la cavité indique quel four a été choisi.
2. Appuyer sur SELF CLEAN (autonettoyage). Appuyer à plusieurs reprises sur SELF CLEAN (autonettoyage) pour régler une durée de nettoyage autre que 3 h 30. La durée de nettoyage peut être réglée entre 2 h 30 et 4 h 30.
Les touches numériques ne peuvent être utilisées pour régler une durée de nettoyage.
3. Appuyer sur START (mise en marche).
La porte du four se verrouille automatiquement. "DOOR LOCKED" (porte verrouillée) et l'heure de mise en marche et d'arrêt s'affichent. La porte ne se déverrouille pas tant que le four n'a pas refroidi.
Lorsque le programme est terminé et que le four a refroidi, "self clean complete" (autonettoyage terminé) apparaît sur l'afficheur du four et "DOOR LOCKED" (porte verrouillée) s'efface.
Si activés, les signaux sonores de fin de programme se font entendre, suivis des signaux de rappel à intervalles de une minute.
4. Appuyer sur OFF (arrêt), UPPER OVEN OFF (arrêt du four supérieur) ou LOWER OVEN OFF (arrêt du four inférieur) ou ouvrir la porte du four pour effacer l'affichage et/ou arrêter les signaux sonores de rappel.

Pour différer l'autonettoyage :

Avant de différer la mise en marche de l'autonettoyage, s'assurer que l'horloge est réglée à la bonne heure. Voir la section "Horloge". S'assurer également que la porte est complètement fermée sinon elle ne se verrouillera pas et le programme ne commencera pas.

1. Sur les modèles à four double uniquement, appuyer sur UPPER OVEN (four supérieur) ou LOWER OVEN (four inférieur).
Le symbole sur la cavité indique quel four a été choisi.
2. Appuyer sur SELF CLEAN (autonettoyage). Appuyer à plusieurs reprises sur SELF CLEAN pour régler une durée de nettoyage autre que 3 h 30. La durée de nettoyage peut être réglée entre 2 h 30 et 4 h 30.
Les touches numériques ne peuvent être utilisées pour régler une durée de nettoyage.
3. Appuyer sur STOP TIME (heure d'arrêt).
4. Appuyer sur les touches numériques pour entrer l'heure d'arrêt.

5. Appuyer sur START (mise en marche).

L'heure de mise en marche est automatiquement calculée et affichée.

La porte se verrouille automatiquement et "DOOR LOCKED" (porte verrouillée), "DELAY" (délai), et l'heure d'arrêt apparaissent aussi sur l'afficheur. La porte ne se déverrouille pas tant que le four n'a pas refroidi.

Lorsque l'heure de mise en marche est atteinte, le four inférieur s'allume automatiquement.

Lorsque le programme est terminé et que le four a refroidi, "self clean complete" (autonettoyage terminé) apparaît sur l'afficheur du four et "DOOR LOCKED" (porte verrouillée) s'efface.

Si activés, les signaux sonores de fin de programme se font entendre, suivis des signaux de rappel à intervalles de une minute.

6. Appuyer sur OFF (arrêt), UPPER OVEN OFF (arrêt du four supérieur) ou LOWER OVEN OFF (arrêt du four inférieur) ou ouvrir la porte du four pour effacer l'affichage du four.

Pour arrêter le programme d'autonettoyage à tout moment :

Appuyer sur OFF (arrêt), UPPER OVEN OFF (arrêt du four supérieur) ou LOWER OVEN OFF (arrêt du four inférieur). Si la température est trop élevée, la porte demeure verrouillée. Elle ne se déverrouille pas tant que le four n'a pas refroidi.

Nettoyage général

IMPORTANT : Avant le nettoyage, s'assurer que toutes les commandes sont désactivées et que le four a refroidi. Toujours suivre les instructions sur les étiquettes des produits de nettoyage.

Du savon, de l'eau et un chiffon doux ou une éponge sont recommandés à moins d'indication contraire.

ACIER INOXYDABLE (sur certains modèles)

Méthode de nettoyage :

Frotter dans la direction du grain pour éviter les dommages.

- Nettoyant et poli pour acier inoxydable KitchenAid®, pièce n° 4396920 (non incluse) ou chiffons pour acier inoxydable KitchenAid®, pièce n° 8212510 (non incluse) :

Voir la section "Assistance ou service" pour placer une commande.

- Détergent liquide ou nettoyant tout-usage :

Rincer à l'eau propre et sécher avec un chiffon doux sans charpie.

- Vinaigre pour les taches d'eau dure

Pour éviter d'endommager les surfaces en acier inoxydable, ne pas utiliser de tampons à récurer savonneux, de nettoyants abrasifs, de crème à polir pour table de cuisson, de tampons en laine d'acier, de chiffons de lavage rudes ou certains essuie-tout.

EXTÉRIEUR DE LA PORTE DU FOUR

Méthode de nettoyage :

- Nettoyant à vitre et chiffon doux ou éponge : Appliquer le nettoyant à vitre sur un chiffon doux ou une éponge, et non pas directement sur le tableau.
- Nettoyant tout-usage pour appareils ménagers - Pièce n° 31682B (non incluse) : Voir la section "Assistance ou service" pour placer une commande.

INTÉRIEUR DE LA PORTE DU FOUR

Méthode de nettoyage :

- Programme d'autonettoyage :
Pour un nettoyage optimal de la porte, essuyer tout dépôt avec une éponge humide avant de lancer le programme.

TABLEAU DE COMMANDE

Méthode de nettoyage :

- Nettoyant à vitre et chiffon doux ou éponge : Appliquer le nettoyant à vitre sur un chiffon doux ou une éponge, et non pas directement sur le tableau.
- Nettoyant tout-usage pour appareils ménagers - Pièce n° 31682B (non incluse) : Voir la section "Assistance ou service" pour placer une commande.

Pour éviter d'endommager le tableau de commande, ne pas utiliser de tampons à récurer savonneux, de nettoyants abrasifs, de crème à polir pour table de cuisson, de tampons en laine d'acier, de chiffons de lavage rudes ou certains essuie-tout.

CAVITÉ DU FOUR

Ne pas utiliser de nettoyants à four.

Les renversements d'aliments doivent être nettoyés lorsque le four a refroidi. À des températures élevées, les aliments réagissent avec la porcelaine et cette réaction peut causer de légères taches blanches, des taches intenses ou des piqûres.

Méthode de nettoyage :

- Programme d'autonettoyage : Voir d'abord "Programme d'autonettoyage".

GRILLES DE FOUR ET DE RÔTISSAGE

Méthode de nettoyage :

- Programme d'autonettoyage :
Voir d'abord "Programme d'autonettoyage". Sortir les grilles sinon elles se décolorent et glissent plus difficilement. Le cas échéant, une légère couche d'huile végétale appliquée sur les glissières facilitera le glissement des grilles.
- Tampon en laine d'acier

LÈCHEFRITE ET GRILLE (sur certains modèles)

Ne pas les nettoyer au moyen du programme d'autonettoyage.

Méthode de nettoyage :

- Produit de nettoyage légèrement abrasif :
Frotter avec un tampon à récurer mouillé.
- Solution de 1/2 tasse (125 mL) d'ammoniaque par gallon (3,75 L) d'eau :
Laisser tremper pendant 20 minutes, puis frotter avec un tampon à récurer ou en laine d'acier.

Émail vitrifié seulement, pas le chrome

- Lave-vaisselle

Lampes du four

Les lampes du four sont des ampoules halogènes de 12 volts, 5 watts maximum. Elles s'allument lorsque la porte est ouverte. Sur les modèles de fours doubles, les lumières supérieure et inférieure s'allument lorsqu'une des portes du four est ouverte. Elles ne fonctionneront pas durant le programme d'autonettoyage. Lorsque la porte est fermée, appuyer sur OVEN LIGHT (lampe du four) pour les allumer ou les éteindre.

Remplacement :

Avant le remplacement, s'assurer que le four est éteint et froid.

1. Interrompre le courant électrique.
2. Enlever le couvercle en verre des ampoules en saisissant le bord avant et en tirant.



3. Enlever l'ampoule de la douille.
4. Remplacer l'ampoule en utilisant un chiffon ou en portant des gants de coton pour la manipulation. Ne pas toucher l'ampoule avec les doigts nus.
5. Réinstaller le couvercle de l'ampoule en l'emboîtant dans la paroi.
6. Rétablir le courant.

Porte du four

IMPORTANT :

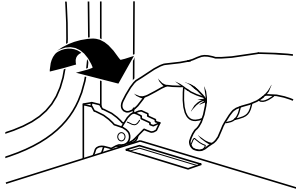
Pour éviter de briser la vitre de la porte du four :

- Ne pas fermer la porte du four si les grilles ne sont pas complètement insérées dans la cavité du four ou lorsque les ustensiles de cuisson dépassent à l'avant d'une grille du four.
- Ne pas entreposer d'objets sur la vitre de la porte du four.
- Ne pas heurter la vitre avec des ustensiles de cuisson ou d'autres objets.
- Ne pas essuyer les vitres avant que le four n'ait complètement refroidi.

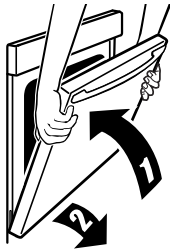
Il n'est pas recommandé d'enlever la porte du four pour une utilisation normale. Toutefois, s'il est nécessaire de l'enlever, s'assurer que le four est éteint et froid. Puis suivre ces instructions. La porte du four est lourde.

Dépose :

1. Ouvrir la porte du four complètement.
2. Relever le verrou de charnière de chaque côté.



3. Fermer la porte du four le plus complètement possible.
4. Soulever la porte du four tout en la retenant de chaque côté.
Continuer de maintenir la porte du four fermée et l'éloigner du châssis de la porte du four.



Réinstallation :

1. Insérer les deux bras de suspension dans la porte.



2. Ouvrir la porte du four.
Vous devriez entendre un déclic alors que la porte est mise en place.
3. Remettre les leviers des charnières à la position verrouillée. S'assurer que la porte peut s'ouvrir et se fermer. Sinon, répéter les procédures de dépose et d'installation.

DÉPANNAGE

Essayer les solutions suggérées ici d'abord afin d'éviter le coût d'une visite de service non nécessaire.

Rien ne fonctionne

- **Un fusible est-il grillé ou le disjoncteur s'est-il déclenché?**
Remplacer le fusible ou réenclencher le disjoncteur. Si le problème persiste, appeler un électricien.
- **L'appareil est-il correctement raccordé?**
Voir les instructions d'installation.

Le four ne fonctionne pas

- **La commande électronique du four est-elle correctement réglée?**
Voir la section "Commande électronique du four".
- **Une mise en marche différée a-t-elle été réglée?**
Voir la section "Cuisson minutée".
- **Le verrouillage des commandes est-il réglé?**
Voir la section "Verrouillage des commandes".
- **Le mode Sabbat est-il réglé?**
Voir la section "Mode Sabbat".
- **Sur les modèles à double four, un des fours est-il en train d'effectuer un programme d'autonettoyage?**
Lorsqu'un four effectue un programme d'autonettoyage, l'autre four ne peut pas être réglé ou allumé.
- **Sur les modèles à double four, a-t-on sélectionné le bon four?**
Choisir d'abord UPPER OVEN (four supérieur) ou LOWER OVEN (four inférieur).

La température du four est trop élevée ou trop basse

- **Le calibrage de la température du four a-t-il besoin d'être ajusté?**
Voir la section "Commande de la température du four".

De l'air chaud s'échappe de l'évent du four

- Il est normal que de l'air chaud s'échappe de l'évent du four. Pendant un programme d'auto-nettoyage, le flux d'air augmente.

L'affichage indique des messages

- **L'affichage indique-t-il une lettre suivie d'un chiffre?**
Effacer l'affichage. Voir la section "Affichage(s)". S'il réapparaît, faire un appel de service. Voir la section "Assistance ou service".

Le programme d'autonettoyage ne fonctionne pas

- **La porte du four est-elle ouverte?**
Fermer la porte du four complètement.
- **La fonction a-t-elle été entrée?**
Voir la section "Programme d'autonettoyage".
- **Sur certains modèles, un programme d'autonettoyage à mise en marche différée a-t-il été réglé?**
Voir la section "Programme d'autonettoyage".
- **Une mise en marche différée a-t-elle été réglée?**
Voir la section "Cuisson minutée".
- **Sur les modèles à double four, un des fours est-il en train d'effectuer un programme d'autonettoyage?**
Lorsqu'un four effectue un programme d'autonettoyage, l'autre four ne peut pas être réglé pour un programme d'autonettoyage.

Les résultats de cuisson au four ne sont pas les résultats prévus

- **La température correcte est-elle réglée?**
Contre-vérifier la recette dans un livre de recettes fiable.
- **La température correcte du four est-elle réglée?**
Voir la section "Commande de la température du four".
- **Le four a-t-il été préchauffé?**
Voir la section "Cuisson au four et rôtissage".
- **Utilise-t-on un ustensile de cuisson au four approprié?**
Voir la section "Ustensiles de cuisson".
- **Les grilles sont-elles en bonne position?**
Voir la section "Positionnement des grilles et des ustensiles de cuisson".

- **Existe-t-il une circulation d'air appropriée autour des ustensiles de cuisson?**
Voir la section "Positionnement des grilles et des ustensiles de cuisson".
- **La pâte est-elle distribuée uniformément dans le plat?**
Vérifier que la pâte est répartie uniformément dans le plat.
- **Utilise-t-on une durée de cuisson appropriée?**
Ajuster la durée de cuisson.
- **La porte a-t-elle été ouverte pendant la cuisson?**
L'ouverture de la porte pour vérifier la cuisson laisse la chaleur du four s'échapper et peut nécessiter des durées de cuisson plus longues.
- **Les articles cuits au four sont-ils trop bruns à la base?**
Déplacer la grille à une position plus élevée dans le four.
- **Les bords des croûtes de tarte ont-ils brunis trop tôt?**
Utiliser du papier d'aluminium pour couvrir le bord de la croûte et/ou réduire la température de cuisson du four.

ASSISTANCE OU SERVICE

Avant de faire un appel pour assistance ou service, consulter la section "Dépannage". Ce guide peut vous faire économiser le coût d'une visite de service. Si vous avez encore besoin d'aide, suivre les instructions ci-dessous.

Lors d'un appel, veuillez connaître la date d'achat, le numéro de modèle et le numéro de série au complet de l'appareil. Ces renseignements nous aideront à mieux répondre à votre demande.

Si vous avez besoin de pièces de rechange

Si vous avez besoin de commander des pièces de rechange, nous vous recommandons d'employer uniquement des pièces spécifiées par l'usine. Les pièces spécifiées par l'usine fonctionneront bien parce qu'elles sont fabriquées avec la même précision que celle utilisée dans la fabrication de chaque nouvel appareil KITCHENAID®.

Pour localiser des pièces spécifiées par l'usine dans votre région, nous appeler ou contacter le centre de service désigné KitchenAid le plus proche.

Veuillez appeler sans frais le Centre d'interaction avec la clientèle de KitchenAid Canada au : **1-800-807-6777**.

Nos consultants vous renseigneront sur les sujets suivants :

- Caractéristiques et spécifications sur toute notre gamme d'appareils électroménagers.
- Consignes d'utilisation et d'entretien.
- Ventes d'accessoires et de pièces de rechange.
- Références aux marchands locaux, aux distributeurs de pièces de rechange et aux compagnies de service. Les techniciens de service désignés par KitchenAid Canada sont formés pour remplir la garantie des produits et fournir un service après la garantie, partout au Canada.

Pour plus d'assistance

Si vous avez besoin de plus d'assistance, vous pouvez soumettre par écrit toute question ou préoccupation à KitchenAid Canada à l'adresse suivante :

Centre d'interaction avec la clientèle
KitchenAid Canada
1901 Minnesota Court
Mississauga, Ontario L5N 3A7

Veuillez inclure dans votre correspondance un numéro de téléphone où l'on peut vous joindre dans la journée.

GARANTIE DU FOUR ENCASTRÉ ET DU FOUR À MICRO-ONDES KITCHENAID®

GARANTIE LIMITÉE

Pendant un an à compter de la date d'achat, lorsque ce gros appareil ménager est utilisé et entretenu conformément aux instructions jointes à ou fournies avec le produit, la marque KitchenAid de Whirlpool Corporation ou Whirlpool Canada LP (ci-après désignées "KitchenAid") paiera pour les pièces spécifiées par l'usine et la main-d'œuvre pour corriger les vices de matériaux ou de fabrication. Le service doit être fourni par une compagnie de service désignée par KitchenAid. Cette garantie limitée est valide uniquement aux États-Unis ou au Canada et s'applique exclusivement lorsque l'appareil est utilisé dans le pays où il a été acheté. À l'extérieur du Canada et des 50 États des États-Unis, cette garantie limitée ne s'applique pas. Une preuve de la date d'achat original est exigée pour obtenir un service dans le cadre de la présente garantie limitée.

GARANTIE LIMITÉE DE LA DEUXIÈME À LA CINQUIÈME ANNÉE INCLUSIVEMENT SUR CERTAINS COMPOSANTS

De la deuxième à la cinquième année inclusivement à compter de la date d'achat, lorsque cet appareil ménager est utilisé et entretenu conformément aux instructions jointes à ou fournies avec le produit, KitchenAid ou KitchenAid Canada paiera pour les pièces spécifiées par l'usine pour les composants suivants, en cas de vices de matériaux ou de fabrication :

- Élément électrique
- Pièces du système de commande à semi-conducteurs

GARANTIE LIMITÉE DE LA DEUXIÈME À LA DIXIÈME ANNÉE INCLUSIVEMENT

Sur les fours à micro-ondes seulement, de la deuxième à la dixième année inclusivement à compter de la date d'achat, lorsque ce gros appareil ménager est utilisé et entretenu conformément aux instructions jointes à ou fournies avec le produit, KitchenAid paiera pour les pièces spécifiées par l'usine pour la cavité du four en acier inoxydable et la porte intérieure si la pièce rouille de part en part du fait de vices de matériaux ou de fabrication.

ARTICLES EXCLUS DE LA GARANTIE

La présente garantie limitée ne couvre pas :

1. Les visites de service pour rectifier l'installation du gros appareil ménager, montrer à l'utilisateur comment utiliser l'appareil, remplacer ou réparer des fusibles ou rectifier le câblage ou la plomberie du domicile.
2. Les visites de service pour réparer ou remplacer les ampoules électriques de l'appareil, les filtres à air ou les filtres à eau. Les pièces consommables ne sont pas couvertes par la garantie.
3. Les réparations lorsque le gros appareil ménager est utilisé à des fins autres que l'usage unifamilial normal ou lorsque les instructions d'installation et/ou les instructions de l'opérateur ou de l'utilisateur fournies ne sont pas respectées.
4. Les dommages imputables à : accident, modification, usage impropre ou abusif, incendie, inondation, actes de Dieu, installation fautive ou installation non conforme aux codes d'électricité ou de plomberie, ou l'utilisation de pièces consommables ou de produits nettoyants non approuvés par KitchenAid.
5. Les défauts apparents, notamment les éraflures, les bosses, fissures ou tout autre dommage au fini du gros appareil ménager, à moins que ces dommages soient dus à des vices de matériaux ou de fabrication et soient signalés à KitchenAid dans les 30 jours suivant la date d'achat.
6. Les coûts associés au transport du gros appareil ménager du domicile pour réparation. Ce gros appareil ménager est conçu pour être réparé à domicile et seul le service à domicile est couvert par la présente garantie.
7. Les réparations aux pièces ou systèmes résultant d'une modification non autorisée faite à l'appareil.
8. Les frais de transport pour le service d'un produit si votre gros appareil est situé dans une région éloignée où un service d'entretien KitchenAid autorisé n'est pas disponible.
9. La dépose et la réinstallation de votre gros appareil si celui-ci est installé dans un endroit inaccessible ou n'est pas installé conformément aux instructions d'installation fournies.
10. Les gros appareils ménagers dont les numéros de série et de modèle originaux ont été enlevés, modifiés ou qui ne peuvent pas être facilement identifiés. La présente garantie est nulle si le numéro de série d'usine a été modifié ou enlevé du gros appareil ménager.

Le coût d'une réparation ou des pièces de rechange dans le cadre de ces circonstances exclues est à la charge du client.

CLAUSE D'EXONÉRATION DE RESPONSABILITÉ AU TITRE DES GARANTIES IMPLICITES; LIMITATION DES RECOURS

LE SEUL ET EXCLUSIF RECOURS DU CLIENT DANS LE CADRE DE LA PRÉSENTE GARANTIE LIMITÉE CONSISTE EN LA RÉPARATION PRÉVUE CI-DESSUS. LES GARANTIES IMPLICITES, Y COMPRIS LES GARANTIES APPLICABLES DE QUALITÉ MARCHANDE ET D'APTITUDE À UN USAGE PARTICULIER, SONT LIMITÉES À UN AN OU À LA PLUS COURTE PÉRIODE AUTORISÉE PAR LA LOI. KITCHENAID N'ASSUME AUCUNE RESPONSABILITÉ POUR LES DOMMAGES FORTUITS OU INDIRECTS. CERTAINES JURIDICTIONS NE PERMETTENT PAS L'EXCLUSION OU LA LIMITATION DES DOMMAGES FORTUITS OU INDIRECTS, OU LES LIMITATIONS DE LA DURÉE DES GARANTIES IMPLICITES DE QUALITÉ MARCHANDE OU D'APTITUDE À UN USAGE PARTICULIER, DE SORTE QUE CES EXCLUSIONS OU LIMITATIONS PEUVENT NE PAS S'APPLIQUER DANS VOTRE CAS. CETTE GARANTIE VOUS CONFÈRE DES DROITS JURIDIQUES SPÉCIFIQUES ET VOUS POUVEZ ÉGALEMENT JOUIR D'AUTRES DROITS QUI PEUVENT VARIER D'UNE JURIDICTION À UNE AUTRE.

À l'extérieur du Canada et des 50 États des États-Unis, cette garantie ne s'applique pas. Contactez votre marchand KitchenAid autorisé pour déterminer si une autre garantie s'applique.

Si vous avez besoin de service, voir d'abord la section "Dépannage" du Guide d'utilisation et d'entretien. Après avoir vérifié la section "Dépannage", de l'aide supplémentaire peut être trouvée en vérifiant la section "Assistance ou service" ou en appelant KitchenAid. Aux É.-U., composer le 1-800-422-1230. Au Canada, composer le 1-800-807-6777. 9/07

Conservez ce manuel et votre reçu de vente ensemble pour référence ultérieure. Pour le service sous garantie, vous devez présenter un document prouvant la date d'achat ou d'installation.

Inscrivez les renseignements suivants au sujet de votre gros appareil ménager pour mieux vous aider à obtenir assistance ou service en cas de besoin. Vous devrez connaître le numéro de modèle et le numéro de série au complet. Vous trouverez ces renseignements sur la plaque signalétique située sur le produit.

Nom du marchand _____

Adresse _____

Numéro de téléphone _____

Numéro de modèle _____

Numéro de série _____

Date d'achat _____