

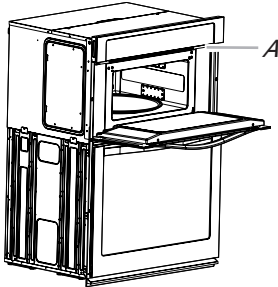
## PRODUCT MODEL NUMBERS

KOCE507E

## ELECTRICAL CONNECTION

To properly install your oven, you must determine the type of electrical connection you will be using and follow the instructions provided for it here.

- Oven must be connected to the proper electrical voltage, amperage, and frequency as specified on the model/serial/rating plate. See the following illustration.



A. Model/serial/rating plate

- Models rated from 7.3 to 9.6 kW at 240 volts (5.4 to 7.4 kW at 208 volts) require a separate 40-amp circuit. Models rated at 4.8 kW and below at 240 volts (3.6 kW and below at 208 volts) require a separate 30-amp circuit.
- A circuit breaker is recommended.
- Connect directly to the fused disconnect (or circuit breaker box) through flexible, armored or nonmetallic sheathed, copper cable (with grounding wire).
- Flexible conduit from the oven should be connected directly to the junction box.
- Do not cut the conduit. The length of conduit provided is for serviceability of the oven.
- A UL Listed or CSA Approved conduit connector must be provided.
- If the house has aluminum wiring, follow the procedure below:
  1. Connect a section of solid copper wire to the ends of the flexible conduit leads.
  2. Connect the aluminum wiring to the added section of copper wire using special connectors and/or tools designed and UL Listed for joining copper to aluminum.

Follow the electrical connector manufacturer's recommended procedure. Aluminum/copper connection must conform with local codes and industry accepted wiring practices.

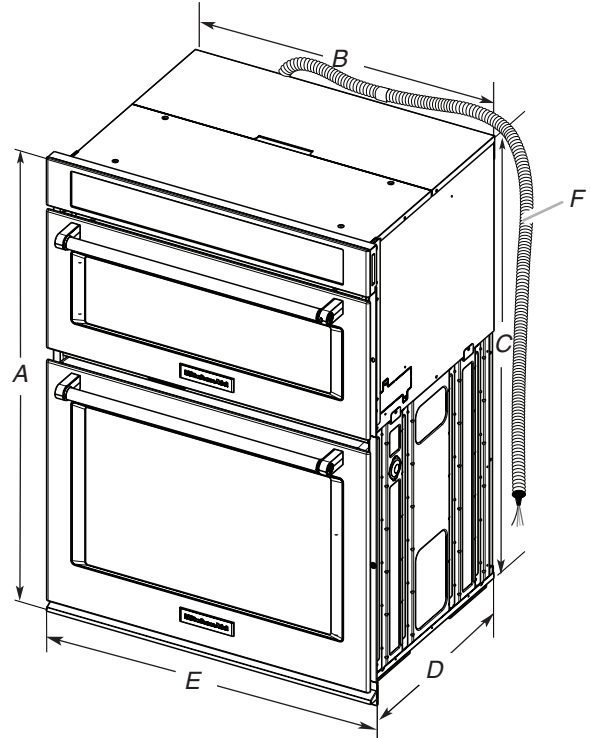
For power requirements, refer to the following table.

Model	Voltage	Amperage (L1)*	Amperage (L2)*	Rating (W)
KOCE507E/ KOCE500E	120/240	32	30	8000
KOCE507E/ KOCE500E	120/208	30	28	6600

\* Amperage values noted above are for information purposes only: The units are rated in watts.

## PRODUCT DIMENSIONS

27" and 30" (68.6 cm and 76.2 cm) Ovens



### 27" (68.6 cm) models

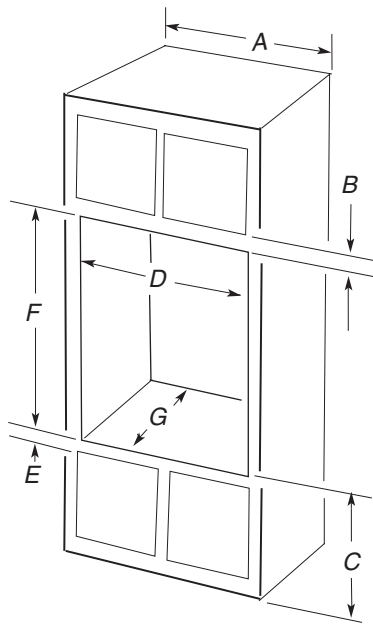
- A. 42<sup>9</sup>/<sub>16</sub>" (108.0 cm) overall height
- B. 25<sup>7</sup>/<sub>16</sub>" (64.6 cm) recessed width
- C. 41" (104.1 cm) recessed height
- D. 23<sup>1</sup>/<sub>4</sub>" (59.1 cm) max. recessed depth
- E. 27" (68.6 cm) overall width
- F. 48" (121.9 cm) flexible conduit length measured from the conduit clamp located at the rear of the oven. Do not remove the conduit clamp.

### 30" (76.2 cm) models

- A. 42<sup>9</sup>/<sub>16</sub>" (108.0 cm) overall height
- B. 28<sup>7</sup>/<sub>16</sub>" (72.2 cm) recessed width
- C. 41" (104.1 cm) recessed height
- D. 23<sup>1</sup>/<sub>4</sub>" (59.1 cm) max. recessed depth
- E. 30" (76.2 cm) overall width
- F. 48" (121.9 cm) flexible conduit length measured from the conduit clamp located at the rear of the oven. Do not remove the conduit clamp.

## Cabinet Dimensions

### 27" and 30" (68.6 cm and 76.2 cm) Ovens



#### 27" (68.6 cm) models

- A. 27" (68.6 cm) min. cabinet width
- B. 1" (2.5 cm) top of cutout to bottom of upper cabinet door
- C. 19<sup>1</sup>/<sub>4</sub>" (48.9 cm) bottom of cutout to floor is recommended. 4"-19<sup>1</sup>/<sub>4</sub>" (10.2 cm-48.9 cm) bottom of cutout to floor is acceptable.
- D. 25<sup>1</sup>/<sub>2</sub>" (64.8 cm) cutout width
- E. 1<sup>1</sup>/<sub>2</sub>" (3.8 cm) min. bottom of cutout to top of cabinet door
- F. 41<sup>5</sup>/<sub>16</sub>" (105 cm)\* recommended cutout height
- G. 24" (60.7 cm) cutout depth

#### 30" (76.2 cm) models

- A. 30" (76.2 cm) min. cabinet width
- B. 1" (2.5 cm) top of cutout to bottom of upper cabinet door
- C. 19<sup>1</sup>/<sub>4</sub>" (48.9 cm) bottom of cutout to floor is recommended. 4"-19<sup>1</sup>/<sub>4</sub>" (10.2 cm-48.9 cm) bottom of cutout to floor is acceptable.
- D. 28<sup>1</sup>/<sub>2</sub>" (72.4 cm) cutout width
- E. 1<sup>1</sup>/<sub>2</sub>" (3.8 cm) min. bottom of cutout to top of cabinet door
- F. 41<sup>5</sup>/<sub>16</sub>" (105 cm)\* recommended cutout height
- G. 24" (60.7 cm) cutout depth

\* **NOTE:** The cutout height can be between 41" and 41<sup>1</sup>/<sub>2</sub>" (104.1 cm and 105.6 cm) for microwave/oven combination.