

KitchenAid® 36" (91.4 cm) and 48" (121.9 cm) Commercial Style Wall-Mount Canopy Range Hood

PRODUCT MODEL NUMBERS

KWCU460W

KWCU480W

ELECTRICAL REQUIREMENTS

A 120 Volt, 60 Hz., AC only, 15-amp, fused electrical circuit is required.

LOCATION REQUIREMENTS

IMPORTANT: Observe all governing codes and ordinances. Have a qualified technician install the range hood. It is the installer's responsibility to comply with installation clearances specified on the model/serial rating plate. The model/serial rating plate is located inside the range hood on the rear wall of the range hood.

Canopy range hood location should be away from strong draft areas, such as windows, doors and strong heating vents.

Cabinet opening dimensions that are shown must be used. Given dimensions provide minimum clearance.

The canopy range hood is factory set for venting through the roof or through the wall.

All openings in ceiling and wall where canopy range hood will be installed must be sealed.

For Mobile Home Installations

The installation of this range hood must conform to the Manufactured Home Construction Safety Standards, Title 24 CFR, Part 328 (formerly the Federal Standard for Mobile Home Construction and Safety, Title 24, HUD, Part 280) or when such standard is not applicable, the standard for Manufactured Home Installation 1982 (Manufactured Home Sites, Communities and Setups) ANSI A225.1/NFPA 501A*, or latest edition, or with local codes.

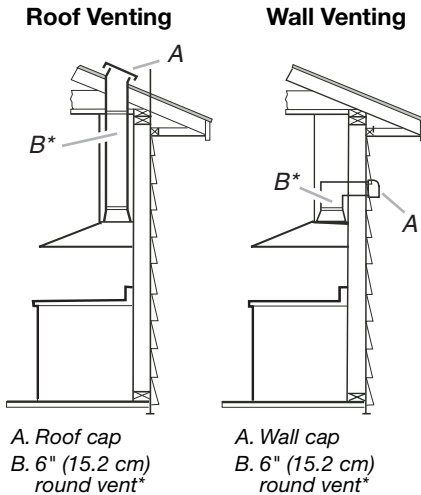
VENTING REQUIREMENTS

A 6" (15.2 cm) round vent system is needed for installation (not included). The range hood exhaust opening is 6" (15.2 cm) round. Two 6" (15.2 cm) round vent systems are needed for installation on 48" (121.9 cm) models.

NOTE: Flexible vent is not recommended. Flexible vent creates back pressure and air turbulence that greatly reduce performance.

Vent system can terminate either through the roof or wall. To vent through the wall, a 90° elbow is needed.

*The 48" (121.9 cm) range hood uses two 6" (15.2 cm) round vents or transitions to 10" (25.4 cm) round vent using Part Number 4396915.



Calculating Vent System Length

To calculate the length of the system you need, add the equivalent feet (meters) for each vent piece used in the system.

Vent Piece	Equivalent Length
45° elbow	2.5 ft (0.8 m)
90° elbow	5.0 ft (1.5 m)



The maximum equivalent vent lengths are:

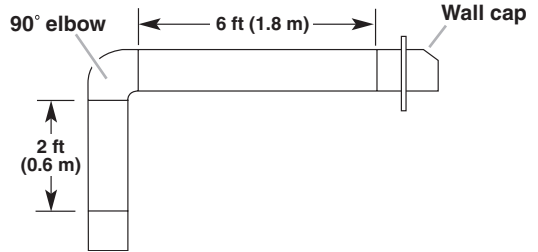
6" (15.2 cm) round vent - 35 ft (10.7 m)

7" (17.8 cm) round vent - 40 ft (12.2 m)

8" (20.3 cm) round vent - 50 ft (15.2 m)

9" (22.9 cm) and 10" (25.4 cm) round vents - 60 ft (18.3 m)

Example vent system



The following example falls within the maximum recommended vent length.

1 - 90° elbow = 5.0 ft (1.5 m)

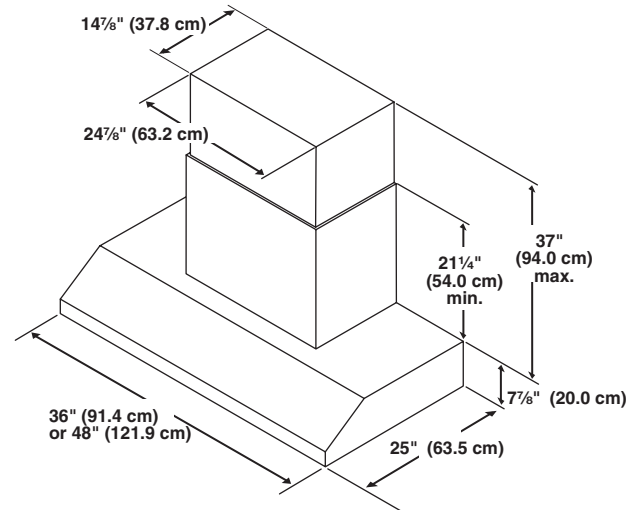
1 - wall cap = 0.0 ft (0.0 m)

8 ft (2.4 m) straight = 8.0 ft (2.4 m)

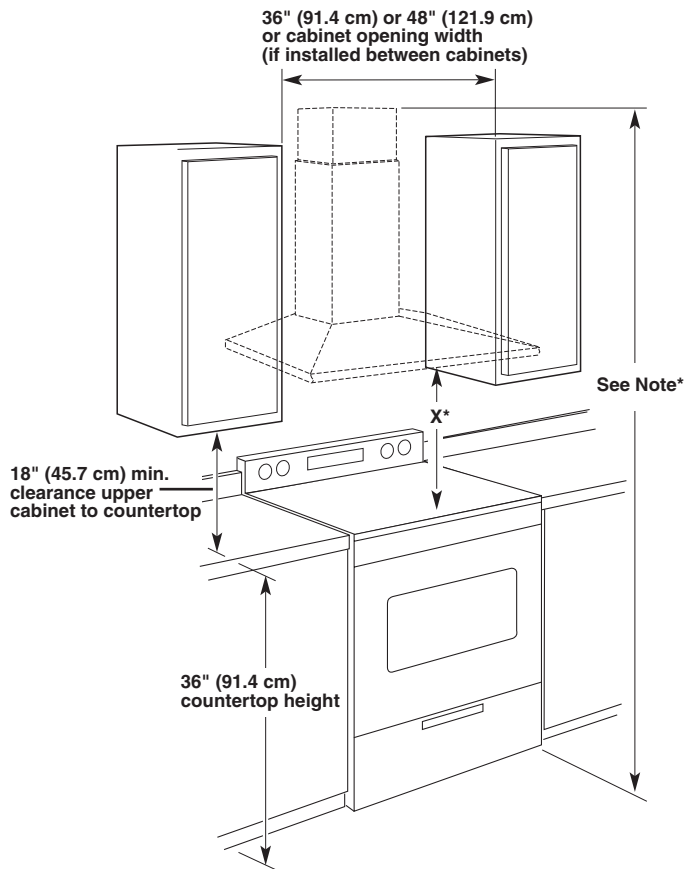
Length of system = 13.0 ft (3.9 m)

PRODUCT DIMENSIONS

Vented Installations



INSTALLATION DIMENSIONS



***NOTE:** The range hood chimneys are adjustable and designed to meet varying ceiling or soffit heights depending on the distance "X" between the bottom of the range hood and the cooking surface. For higher ceilings, a 39" (99.1 cm) Chimney Extension Kit Part Number W10197714 (Stainless Steel), is available from your dealer or an authorized parts distributor. The chimney extension replaces the upper chimney shipped with the range hood.

IMPORTANT:

Minimum distance "X": 30" (76.2 cm)

Suggested maximum distance "X": 36" (91.4 cm)

For vented installations, the chimneys can be adjusted for ceilings between 8' 4¹/₄" (2.55 m) and 9' 3¹/₄" (2.83 m).