

KitchenAid®

**30" (76.2 CM) AND 36" (91.4 CM)
SLIDE-OUT VENT HOOD**

Installation Instructions and Use & Care Guide

For questions about features, operation/performance, parts, accessories or service, call: **1-800-422-1230** or visit our website at www.kitchenaid.com

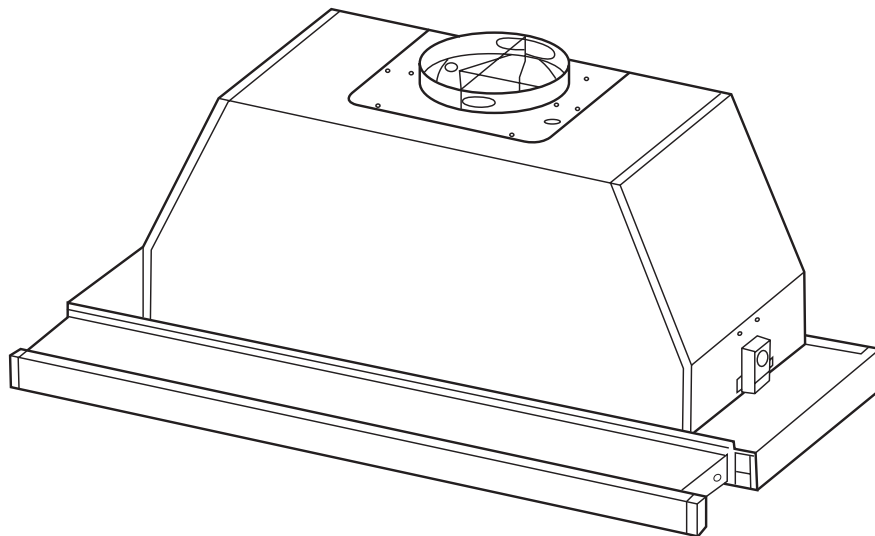
In Canada, for assistance, installation and service, call: **1-800-807-6777** or visit our website at www.Kitchenaid.ca

**HOTTE D'ASPIRATION AVEC MODULE DE
COMMANDE EXTRACTIBLE DE 30" (76,2 CM)
ET 36" (91,4 CM)**

Instructions d'installation et Guide d'utilisation et d'entretien

Au Canada, pour assistance, installation ou service, composez le **1-800-807-6777** ou visitez notre site web à www.kitchenaid.ca

Table of Contents/Table des matières 2



**IMPORTANT: READ AND SAVE THESE INSTRUCTIONS.
FOR RESIDENTIAL USE ONLY.**

**IMPORTANT : LIRE ET CONSERVER CES INSTRUCTIONS.
POUR UTILISATION RÉSIDENIELLE UNIQUEMENT.**

TABLE OF CONTENTS

RANGE HOOD SAFETY	3
INSTALLATION REQUIREMENTS	5
Tools and Parts	5
Location Requirements	5
Venting Requirements	6
Electrical Requirements	8
INSTALLATION INSTRUCTIONS	8
Prepare Location	8
Install Range Hood	11
Electrical Connection	12
Connect the Vent System	12
Optional Front Trim Kits	13
RANGE HOOD USE	13
RANGE HOOD CARE	14
Cleaning	14
Replacing the Bulb	14
WIRING DIAGRAM	15
ASSISTANCE OR SERVICE	16
In the U.S.A.	16
In Canada	16
WARRANTY	17

TABLE DES MATIÈRES

SÉCURITÉ DE LA HOTTE D'ASPIRATION	18
EXIGENCES D'INSTALLATION	20
Outils et composants	20
Exigences d'emplacement	20
Exigences concernant l'évacuation	21
Spécifications électriques	22
INSTRUCTIONS D'INSTALLATION	23
Préparation de l'emplacement	23
Installation de la hotte	27
Raccordement électrique	27
Raccordement du circuit d'évacuation	28
Ensembles de garniture avant (facultatifs)	28
UTILISATION DE LA HOTTE	29
ENTRETIEN DE LA HOTTE	29
Nettoyage	29
Remplacement de l'ampoule	30
SCHÉMAS DE CÂBLAGE	31
ASSISTANCE OU SERVICE	31
Accessoires	31
GARANTIE	32

RANGE HOOD SAFETY

Your safety and the safety of others are very important.

We have provided many important safety messages in this manual and on your appliance. Always read and obey all safety messages.



This is the safety alert symbol.

This symbol alerts you to potential hazards that can kill or hurt you and others.

All safety messages will follow the safety alert symbol and either the word "DANGER" or "WARNING."

These words mean:

⚠ DANGER

You can be killed or seriously injured if you don't immediately follow instructions.

⚠ WARNING

You can be killed or seriously injured if you don't follow instructions.

All safety messages will tell you what the potential hazard is, tell you how to reduce the chance of injury, and tell you what can happen if the instructions are not followed.

IMPORTANT SAFETY INSTRUCTIONS

WARNING: TO REDUCE THE RISK OF FIRE, ELECTRIC SHOCK, OR INJURY TO PERSONS, OBSERVE THE FOLLOWING:

- Use this unit only in the manner intended by the manufacturer. If you have questions, contact the manufacturer.
- Before servicing or cleaning the unit, switch power off at service panel and lock the service disconnecting means to prevent power from being switched on accidentally. When the service disconnecting means cannot be locked, securely fasten a prominent warning device, such as a tag, to the service panel.
- Installation work and electrical wiring must be done by qualified person(s) in accordance with all applicable codes and standards, including fire-rated construction.
- Sufficient air is needed for proper combustion and exhausting of gases through the flue (chimney) of fuel burning equipment to prevent backdrafting. Follow the heating equipment manufacturer's guideline and safety standards such as those published by the National Fire Protection Association (NFPA), the American Society for Heating, Refrigeration and Air Conditioning Engineers (ASHRAE), and the local code authorities.
- When cutting or drilling into wall or ceiling; do not damage electrical wiring and other utilities.
- Ducted fans must always be vented outdoors.

CAUTION: For general ventilating use only. Do not use to exhaust hazardous or explosive materials and vapors.

CAUTION: To reduce risk of fire and to properly exhaust air, be sure to duct air outside - do not vent exhaust air into spaces within walls or ceilings, attics or into crawl spaces, or garages.

WARNING: TO REDUCE THE RISK OF FIRE, USE ONLY METAL DUCTWORK.

WARNING: TO REDUCE THE RISK OF A RANGE TOP GREASE FIRE:

- Never leave surface units unattended at high settings. Boilovers cause smoking and greasy spillovers that may ignite. Heat oils slowly on low or medium settings.
- Always turn hood ON when cooking at high heat or when flambeing food (i.e. Crepes Suzette, Cherries Jubilee, Peppercorn Beef Flambé).
- Clean ventilating fans frequently. Grease should not be allowed to accumulate on fan or filter.
- Use proper pan size. Always use cookware appropriate for the size of the surface element.

WARNING: TO REDUCE THE RISK OF INJURY TO PERSONS IN THE EVENT OF A RANGE TOP GREASE FIRE, OBSERVE THE FOLLOWING:^a

- SMOTHER FLAMES with a close fitting lid, cookie sheet, or metal tray, then turn off the burner. BE CAREFUL TO PREVENT BURNS. If the flames do not go out immediately, EVACUATE AND CALL THE FIRE DEPARTMENT.
- NEVER PICK UP A FLAMING PAN - you may be burned.
- DO NOT USE WATER, including wet dishcloths or towels - a violent steam explosion will result.
- Use an extinguisher ONLY if:
 - You know you have a class ABC extinguisher, and you already know how to operate it.
 - The fire is small and contained in the area where it started.
 - The fire department is being called.
 - You can fight the fire with your back to an exit.

^aBased on "Kitchen Fire Safety Tips" published by NFPA.

READ AND SAVE THESE INSTRUCTIONS

INSTALLATION REQUIREMENTS

Tools and Parts

Gather the required tools and parts before starting installation. Read and follow the instructions provided with any tools listed here.

Tools needed

- Level
- Drill
- 1¼" drill bit
- ⅜" (8 mm) nut driver or ratchet
- Pencil
- Pliers
- Wire stripper or utility knife
- Tape measure or ruler
- Caulking gun and weatherproof caulking compound
- Phillips screwdriver
- Flat-blade screwdriver
- Saber or keyhole saw
- Vent clamps
- Metal snips

Parts needed

- Home power supply cable
- Two ½" (12.7 mm) UL listed or CSA approved strain reliefs

For vented installations, you will also need:

- 1 wall or roof cap
- Metal vent system

For non-vented (recirculating) installations, you will also need:

- Recirculation Kit Part Number 4396565. See "Assistance or Service" section to order.

Optional parts needed:

- Wood filler strips for cabinets with recessed bottoms. Length and thickness determined by recess dimensions. See "Prepare Location" section.
- Two, 1" x 1" x 5" (25.4 x 25.4 x 127 mm) wood pieces for cabinet floor. See "Prepare Location" section.
- Four, 1¼" (31.8 mm) wood screws

Parts supplied

Remove parts from packages. Check that all parts are included.

- 2 screws
- Damper
- Plastic cover (used for customized front panel)
- Hardware package
- Vent grate (for non-vented/recirculating installations)
- Front trim - White (installed), Black, and Brushed Aluminum

Location Requirements

IMPORTANT: Observe all governing codes and ordinances.

Have a qualified technician install the range hood. It is the installer's responsibility to comply with installation clearances specified on the model/serial rating plate. The model/serial rating plate is located behind the left filter on the rear wall of the range hood.

Range hood location should be away from strong draft areas, such as windows, doors, and strong heating vents.

Cabinet opening dimensions that are shown must be used. Given dimensions provide minimum clearance. Consult your cooktop/range manufacturer installation instructions before making any cutouts.

Grounded electrical outlet is required. See "Electrical Requirements" section.

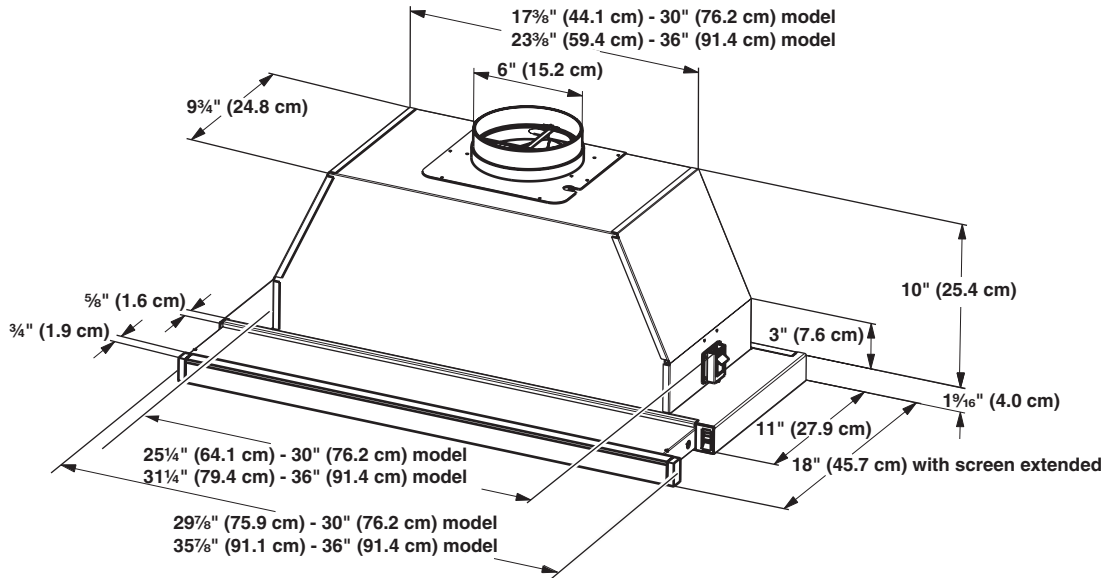
The range hood is factory set for vented installations through the roof or wall. For non-vented (recirculating) installations see "Non-Vented (recirculating) Installation Through the Soffit/Cabinet" in the "Prepare Location" section. Recirculation Kit Part Number 4396565 is available from your dealer or an authorized parts distributor.

All openings in ceiling and wall where range hood will be installed must be sealed.

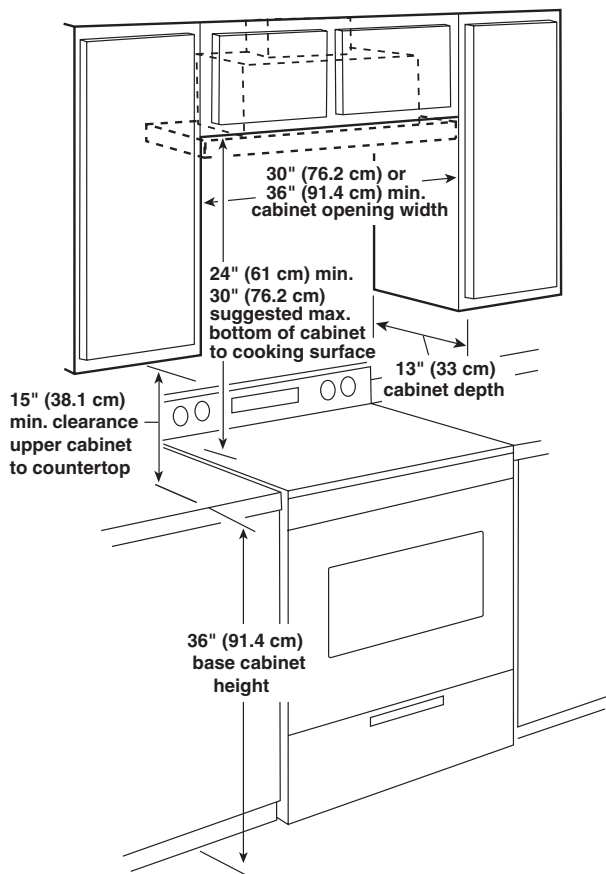
For Mobile Home Installations

The installation of this range hood must conform to the Manufactured Home Construction Safety Standards, Title 24 CFR, Part 328 (formerly the Federal Standard for Mobile Home Construction and Safety, title 24, HUD, Part 280) or when such standard is not applicable, the standard for Manufactured Home Installation 1982 (Manufactured Home Sites, Communities and Setups) ANSI A225.1/NFPA 501A*, or latest edition, or with local codes.

Product Dimensions



Cabinet Dimensions



Venting Requirements (vented models only)

- Vent system must terminate to the outside, except for non-vented (recirculating) installations.
- Do not terminate the vent system in an attic or other enclosed area.
- Do not use a 4" (10.2 cm) laundry-type wall caps.
- Use a metal vent only. A rigid metal vent is recommended. Plastic or metal foil vent is not recommended.
- The length of vent system and number of elbows should be kept to a minimum to provide efficient performance.

For the most efficient and quiet operation:

- Use no more than three 90° elbows.
- Make sure there is a minimum of 24" (61.0 cm) of straight vent between the elbows if more than 1 elbow is used.
- Do not install 2 elbows together.
- The vent system must have a damper. If the roof or wall cap has a damper, do not use the damper supplied with the range hood.
- Use clamps to seal all joints in the vent system.
- Use caulking to seal exterior wall or roof opening around the cap.
- The size of the vent should be uniform.

Cold weather installations

An additional back draft damper should be installed to minimize backward cold air flow and a thermal break should be installed to minimize conduction of outside temperatures as part of the vent system. The damper should be on the cold air side of the thermal break.

The break should be as close as possible to where the vent system enters the heated portion of the house.

Makeup air

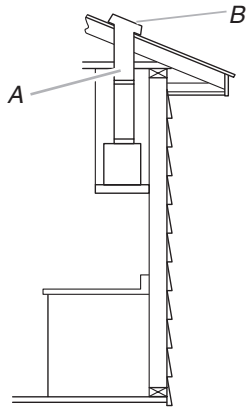
Local building codes may require the use of makeup air systems when using ventilation systems with greater than specified CFM of air movement. The specified CFM varies from locale to locale. Consult your HVAC professional for specific requirements in your area.

Venting Methods

This range hood is factory set for venting through the roof or through the wall.

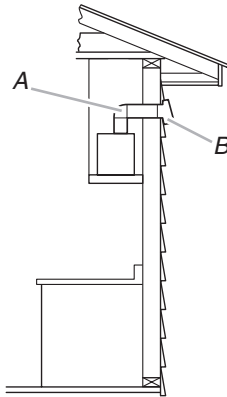
The vent system needed for installation is not included. A 6" (15.2 cm) round vent system is recommended.

Roof Venting



A. 6" (15.2 cm) vent through the roof
B. Roof cap

Wall Venting





A. 6" (15.2 cm) vent through the wall
B. Wall cap

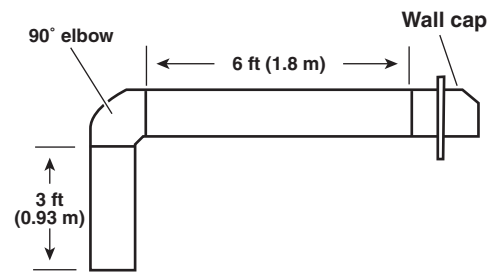
Calculate Vent System Length

The recommended vent system is 6" (15.2 cm) round vent with a maximum length of 26 ft (8 m). For the best performance, use no more than three 90° elbows.

To calculate the length of the system, add the equivalent feet (meters) for each of the vent pieces used in the system.

Vent Piece	6" (15.2 cm)	
45° elbow	2.5 ft (0.8 m)	
90° elbow	5.0 ft (1.5 m)	

Example vent system - 6" (15.2 cm)

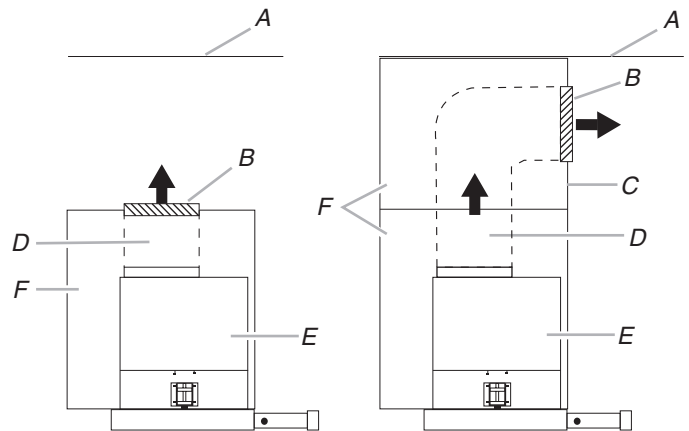


Maximum Length = 26 ft (8 m)

1 - 90° elbow	= 5 ft (1.5 m)
1 - wall cap	= 0 ft (0 m)
9 ft (2.8 m) straight	= 9 ft (2.8 m)
System length	= 14 ft (4.3 m)

Non-Vented (recirculating) Installations Through the Soffit/Cabinet

If it is not possible to vent cooking fumes and vapors to the outside, the range hood can be used in the non-vented (recirculating) version, using an activated carbon filter. Recirculation Kit Part Number 4396565 is available from the dealer or an authorized parts distributor. Damper installation is not required.



A. Ceiling
B. Vent cover
C. Soffit

D. 6" (15.2 cm) vent
E. Range hood
F. Cabinet

Electrical Requirements

Observe all governing codes and ordinances.

Ensure that the electrical installation is adequate and in conformance with National Electrical Code, ANSI/NFPA 70 (latest edition), or CSA Standards C22.1-94, Canadian Electrical Code, Part 1 and C22.2 No. 0-M91 (latest edition) and all local codes and ordinances.

If codes permit and a separate ground wire is used, it is recommended that a qualified electrician determine that the ground path is adequate.

A copy of the above code standards can be obtained from:

National Fire Protection Association
One Batterymarch Park
Quincy, MA 02269

CSA International
8501 East Pleasant Valley Road
Cleveland, OH 44131-5575

- A 120 Volt, 60 Hz., AC only, 15-amp, fused electrical circuit is required.

- If the house has aluminum wiring, follow the procedure below:

1. Connect a section of solid copper wire to the pigtail leads.
2. Connect the aluminum wiring to the added section of copper wire using special connectors and/or tools designed and UL listed for joining copper to aluminum.

Follow the electrical connector manufacturer's recommended procedure. Aluminum/copper connection must conform with local codes and industry accepted wiring practices.

- Wire sizes and connections must conform with the rating of the appliance as specified on the model/serial rating plate. The model/serial plate is located behind the filter on the rear wall of the range hood.
- Wire sizes must conform to the requirements of the National Electrical Code, ANSI/NFPA 70 (latest edition), or CSA Standards C22.1-94, Canadian Electrical Code, Part 1 and C22.2 No. 0-M91 (latest edition) and all local codes and ordinances.

INSTALLATION INSTRUCTIONS

Prepare Location

It is recommended that the vent system be installed before the range hood is installed.

Before making cutouts, make sure there is proper clearance within the ceiling or wall for vent fittings.

1. Disconnect power.
2. Determine which venting method to use: roof, wall, or non-vented.
3. Select a flat surface for assembling the range hood. Place covering over that surface.

⚠ WARNING

Excessive Weight Hazard

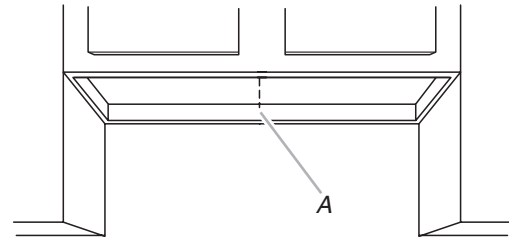
Use two or more people to move and install range hood.

Failure to do so can result in back or other injury.

4. Using 2 or more people, lift range hood onto covered surface.

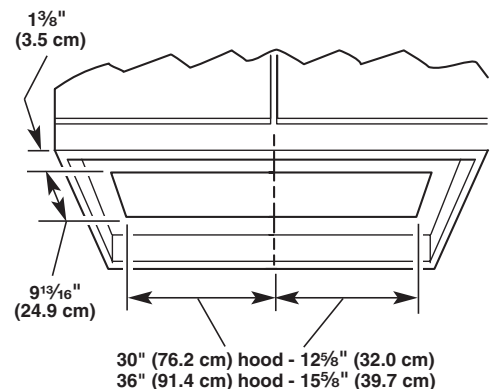
Range Hood Cabinet Cutout

1. Determine and clearly mark a centerline on the underside of the cabinet.



A. Centerline

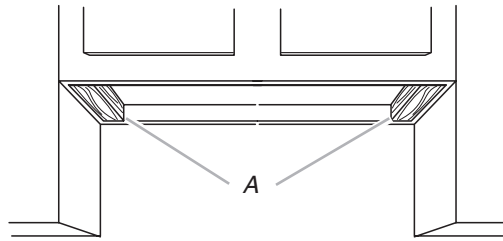
2. Measure and mark lines as shown for your size of range hood. Use a saber saw or keyhole saw to cut an opening through the underside of the cabinet.



The finished cutout size will be:

30" (76.2 cm) range hood - 9 13/16" x 25 1/4" (24.9 cm x 64.1 cm)
36" (91.4 cm) range hood - 9 13/16" x 31 1/4" (24.9 cm x 79.3 cm)

- If the cabinet bottom is recessed above a support frame, wood filler strips need to be installed on the right and left sides of the cutout to provide sides of clearance for the sliding screen. Wood filler strips should be flush with or recessed $\frac{1}{16}$ " to $\frac{1}{8}$ " (1.6 mm to 3.2 mm) from the bottom of the support frame.

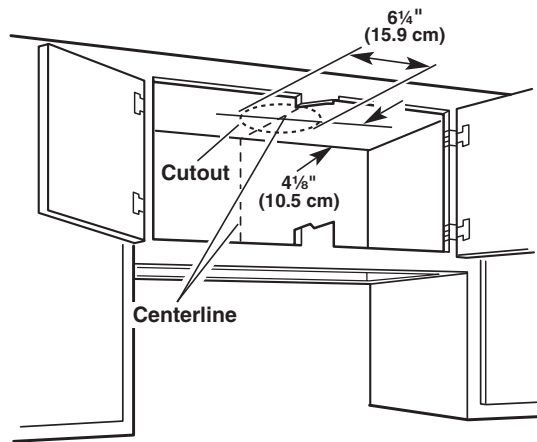


A. Wood filler strips

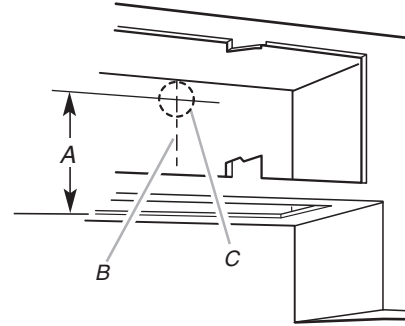
- Complete cabinet preparation following the instructions for your type of installation.

Venting Outside Through the Roof

Measure and mark the lines as shown. Use a saber saw or keyhole saw to cut a round opening for the vent.



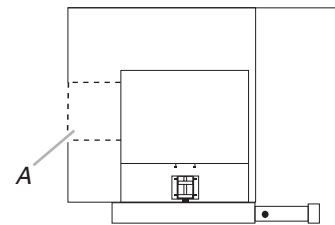
Transfer measurement A to the cabinet back wall. Measure from the underside of the cabinet or wood filler strips, if used. Mark the cutout as shown. Use a saber saw or keyhole saw to cut a round opening for the vent.



A. Measurement A
B. Centerline
C. 6 1/4" (15.9 cm) round cutout

Change Hood to Optional Rear Exhaust

The hood comes from the factory with the exhaust collar on top of the hood. The hood exhaust may be directed out the rear of the hood through the exhaust collar.



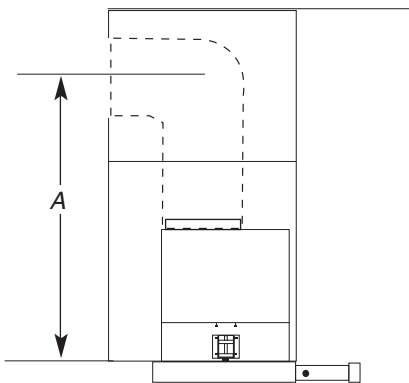
A. Rear exhaust

If you desire to have the hood exhaust out the rear, follow the procedure below.

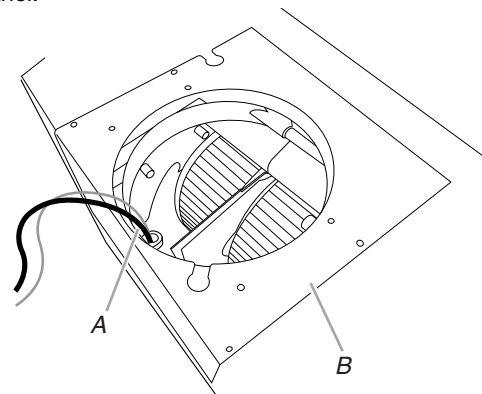
- Place the range hood on its back.
- Remove metal filters. See "Range Hood Care" section.
- Cut wire tie from wire bundle.
- Set the range hood back up to the upright position.
- Hold the blower motor to keep it from dropping while removing the 4 screws holding the exhaust blower to the range hood. Gently lower blower down.
- Remove the power supply cable and grommet from the panel.

Venting Outside Through the Wall

Assemble the vent that you will use over the vent opening. Do not attach the vent at this time. Measure from the top of the screen housing to the horizontal centerline of the vent opening (A). Remove the vent.



A. Measurement A

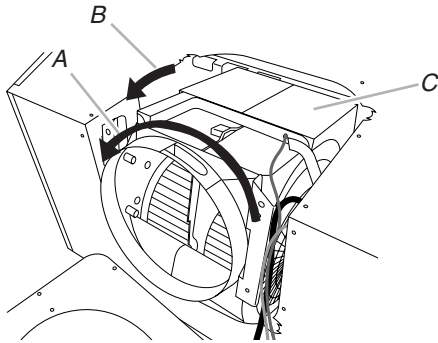


A. Power supply cord and grommet
B. Blower mounting panel

- Remove the 12 screws from the blower mounting panel and lift off the panel.

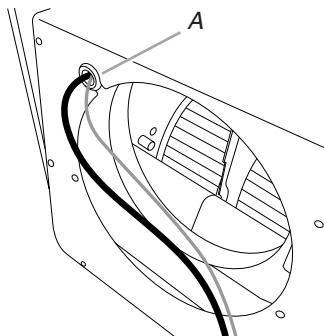
- h.) Pull out on the blower motor and rotate it 90° so that the exhaust outlet is pointing out the back. Then rotate the blower motor around its exhaust axis 180° so the flat side of the blower motor is pointed up.

NOTE: This is the only way the blower motor will fit properly in the opening.



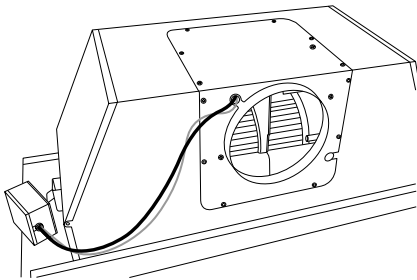
- A. Rotate 90°
 B. Rotate 180°
 C. Flat side of blower motor

- i.) Check that the wiring is properly positioned.
 j.) Place the power supply cable and grommet through the center of the outlet hole opening in the mounting panel and reposition the grommet into its mounting notch.



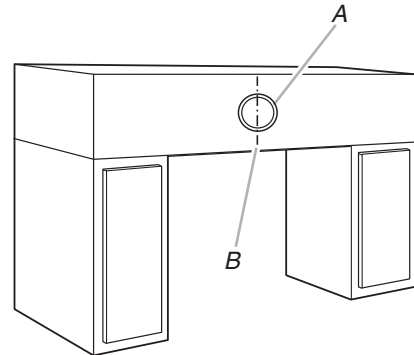
A. Grommet/mounting notch

- k.) Place the blower mounting panel over the exhaust outlet and mount it onto the hood housing with the 12 mounting screws. Tighten the screws.
 l.) Pull the blower motor out through the opening in the blower mounting panel and fasten with the 4 blower mounting screws.



Non-Vented (recirculating) Installation Through the Soffit/Cabinet

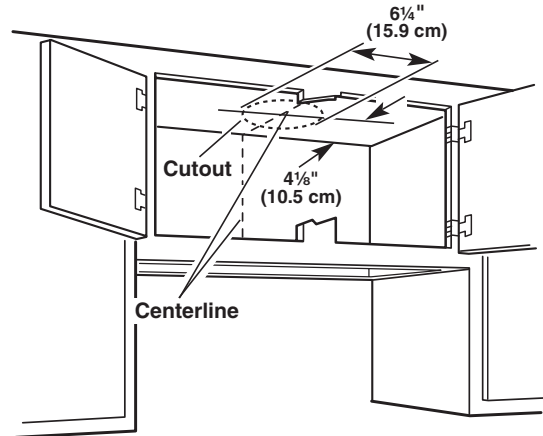
Measure and mark a round vent opening in the soffit using the method shown for venting through the wall. Measure and mark the centerline on the soffit above the range hood area.



A. Vent cover
 B. Centerline

Use the vent cover included with the range hood or other vent cover as a template to outline an opening for the vent. Use a saber saw or keyhole saw to cut a round opening for the vent system.

The range hood can be vented inside through the top of the cabinet.

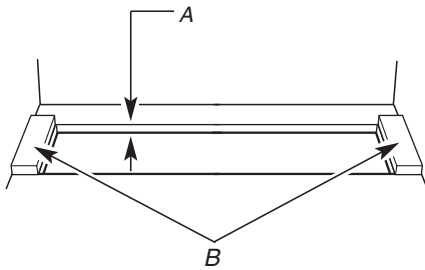


For non-vented (recirculating) installations, charcoal filters are necessary. See the "Range Hood Care" section for instructions on installing charcoal filters.

The Recirculation Kit Part Number 4396565 must be used.

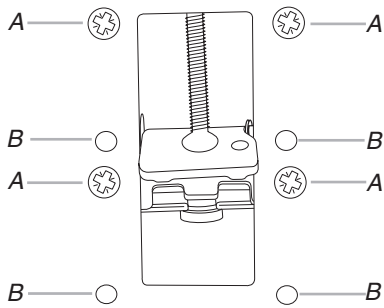
5. Install the vent system according to the method needed. Use caulking to seal the exterior wall or roof opening.
6. Run the wiring through the wall or cabinet according to the national Electrical Code and all local codes and ordinances. Use caulking to seal around wire opening.

7. Measure the thickness of the cabinet floor, including the filler strips, if used. If the thickness is less than $\frac{5}{8}$ " (15.9 mm), install wood filler strips that are a minimum length of 5" (12.7 cm) onto the cabinet floor. The mounting bracket adjusts from $\frac{5}{8}$ " (15.9 mm) to $2\frac{1}{8}$ " (54.0 mm) for the wood filler strips.



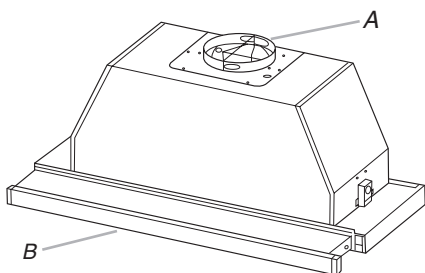
A. Less than $\frac{5}{8}$ " (15.9 mm)
B. Wood fillers (thickness as required)

8. The spring loaded brackets are factory set to accommodate a thickness between $1\frac{3}{16}$ " (3.0 cm) and $2\frac{1}{4}$ " (5.7 cm). If your cabinet bottom is less than $1\frac{3}{16}$ " (3.0 cm) thick, the spring loaded brackets can be removed and repositioned down from the top setting (A), to the bottom setting (B), by removing the 4 Phillips screws.



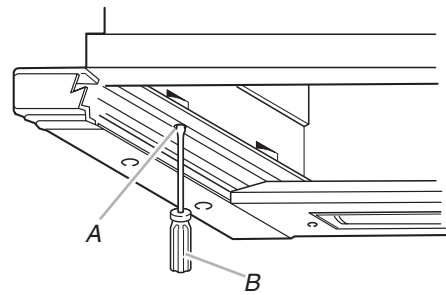
A. Top setting - factory installed
B. Bottom setting

9. Place the round damper into the vent opening of the range hood and press down. If the roof cap or wall cap has a damper, do not attach the damper to the range hood.



A. Damper
B. Range hood screen

10. Place the range hood on its back side on a covered surface.
- Slide the range hood screen forward.
 - Remove the metal grease filters. See "Range Hood Care" section.
 - Screw the mounting brackets up to the top position.



A. Mounting bracket screw
B. Flat-blade screwdriver

NOTE: For some non-vented (recirculating) installations it may be easier to attach the vent system to the range hood before lifting the range hood into its final location. Seal the connection with clamps.

Install Range Hood

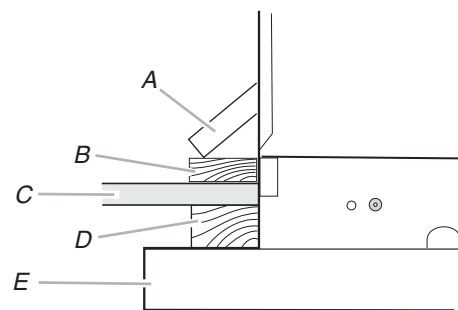
! WARNING

Excessive Weight Hazard

Use two or more people to move and install range hood.

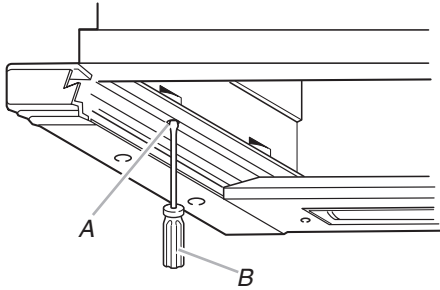
Failure to do so can result in back or other injury.

- Using 2 or more people, lift the range hood into its final position. (The wiring and terminal box are to be on top of the range hood.)
- Check that the mounting brackets overlap the cabinet bottom or wood filler strips.
- Center the range hood.



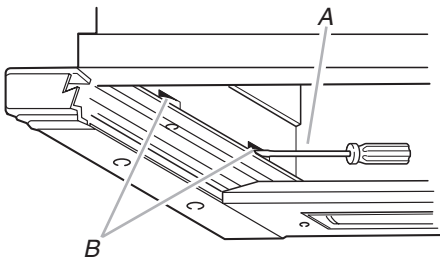
A. Mounting bracket
B. Optional wood filler strip
C. Cabinet bottom
D. Optional wood filler strip for recessed cabinet
E. Slide-out range hood

4. Check that the front panel is parallel with the cabinet front when the screen is pushed in. Slide the screen forward. Tighten the mounting bracket screws so that the range hood is secured to the cabinet.



A. Mounting bracket screw
B. Flat-blade screwdriver

5. Align the range hood front panel with the cabinet. Slide the screen forward. Locate the 2 screws on each side and turn them counterclockwise to loosen the screws. Adjust the front of the vent vertically, $\frac{3}{8}$ " (9.5 mm) up or down, or horizontally, $\frac{3}{4}$ " (19 mm) front to back, until the front is flush with the cabinet. Tighten the screws. If it is necessary to adjust the given dimensions, lower and add or remove the filler strips or redrill mounting holes.



A. Phillips screwdriver
B. Adjustment screws

Electrical Connection

⚠ WARNING

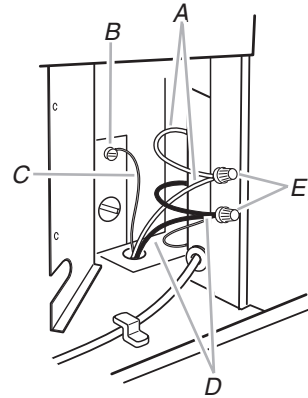


Electrical Shock Hazard

Disconnect power before servicing.
Replace all parts and panels before operating.
Failure to do so can result in death or electrical shock.

1. Disconnect power.
2. Remove terminal box cover.
3. Remove knockout from top of the terminal box and install a UL listed or CSA approved $\frac{1}{2}$ " strain relief.
4. Determine the location and mount the terminal box to the inside of the cabinet or wall using the 4 mounting holes in the back of the terminal box. (The mounting screws are not supplied.)

5. Pull house power supply cable through the strain relief into the terminal box.
6. Use UL listed wire connectors and connect black wires (D) together.
7. Use UL listed wire connectors and connect white wires (A) together.



A. White wires
B. Green ground screw
C. Ground wire
D. Black wires
E. Wire connectors

⚠ WARNING



Fire Hazard

Electrically ground the blower.
Use copper wire.
Connect ground wire to green ground screw in terminal box.
Failure to do so can result in death, fire, or electrical shock.

8. Connect the green (or bare) ground wire from the home power supply to the green ground screw inside the range hood terminal box. Tighten green ground screw. Use caulking to seal around wire opening.
9. Tighten strain relief screw.
10. Install terminal box cover.

NOTE: Do not turn on power until installation is complete.

Connect the Vent System

Vented Installations

1. Replace the metal filters. See "Range Hood Care" section.
2. Connect the vent system to the range hood vent opening. Seal the connection with clamps.
3. Reconnect power.
4. Check the operation of the range hood fan and light.
5. Push the range hood screen back in.

Non-Vented (recirculating) Installations

1. Connect the vent system to the range hood vent opening. Seal the connection with clamps.
2. Install charcoal filters. See “Range Hood Care” section.
3. Replace metal grease filters. See “Range Hood Care” section.
4. Reconnect power.
5. Check the operation of the range hood fan and light.
6. Push the range hood screen back in.

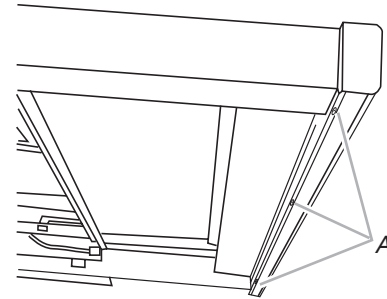
To order replacement kits, see the “Assistance or Service” section.

Optional Front Trim Kits

White, black and brushed aluminum front trim for matching the front panel to your range or cooktop color are included with the range hood. The white trim is installed. See following instructions to install a different trim color.

Install Front Trim Kit

1. Pull out on the range hood screen for access to the screws.
2. Remove metal grease filters. See “Range Hood Care” section.
3. Remove the 3 mounting screws directly behind the front panel.



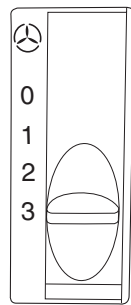
A. Three mounting screws

4. Remove existing trim piece and insert new trim piece.
 5. Attach the new trim piece to the front panel using the 3 mounting screws. Tighten the screws.
 6. Replace the metal grease filters. See “Range Hood Care” section.
 7. Push the range hood screen back in.
-

RANGE HOOD USE

The range hood is designed to remove smoke, cooking vapors and odors from the cooktop area. For best results, start the range hood before cooking and allow it to operate several minutes after the cooking is complete to clear all smoke and odors from the kitchen.

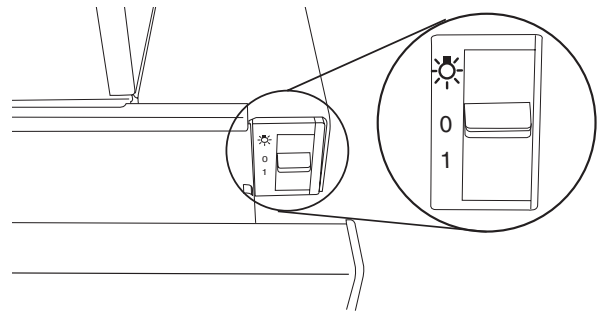
Fan Control



Operating the Fan

1. Slide the range hood screen forward.
NOTE: When the screen is opened the fan will operate at the fan switch setting that it was at when the screen was closed. The fan will shutoff when the screen is about 2" (5.1 cm) from the closed position.
2. To turn fan On, move the fan switch from 0 (Off) to the desired fan speed, 1 (Low), 2 (Medium), 3 (High).
NOTE: The speed may be increased, decreased, or turned off at anytime during the range hood operation.
3. To turn the fan Off, move the fan switch to 0 (Off) or close the screen.
NOTE: The fan will shut off when the screen is about 2" (5.1 cm) from the closed position. When the screen is opened, the fan will operate at the last setting.

Light Control



Operating the Light

1. Open the range hood screen.
2. To turn light On, move the switch from 0 (Off) to 1 (On).
NOTE: If the light switch is left in the 1 (On) position, the light will be on each time the screen is opened. It can also be used as a night light by opening the screen about 1" (2.5 cm).
3. Move the light switch to the 0 (Off) position or close the range hood screen to turn the light Off.

RANGE HOOD CARE

Cleaning

IMPORTANT: Clean the range hood and grease filters frequently according to the following instructions. Replace grease filters before operating range hood.

Be sure light is cool before cleaning the range hood.

Exterior Surfaces

Clean the range hood with a mild detergent and soft cloth. To avoid damage to the exterior surface, do not use abrasive cleansers or steel-wool pads

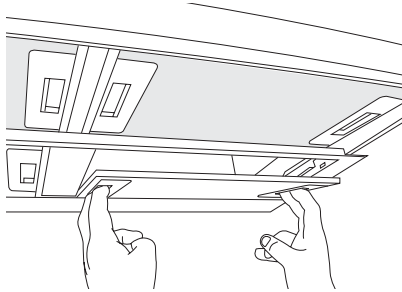
Metal Grease Filters

The filters should be washed frequently. Place filters in dishwasher or hot, soapy water to clean.

Drain water through edge holes and let each filter dry thoroughly before replacing it.

To Remove Metal Grease Filters

1. Pull out on the range hood screen to expose the filters.
2. Using 2 hands, press in the tabs at each end of the metal filter and pull down to remove it.
3. Repeat Step 2 for each filter.



To Replace Metal Grease Filters

1. Using 2 hands insert the metal filter into the filter openings.
2. Push the metal filter up and press in both tabs on the ends of the filter. When filter is seated, release the tabs to lock in place.
3. Repeat steps 1 and 2 for each filter.

Charcoal Filters - For Non-Vented (recirculating) Installations

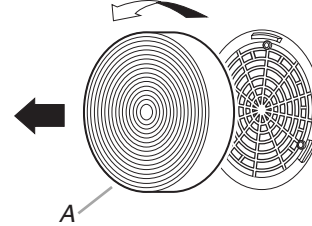
The charcoal filters are not washable nor reusable.

They should be changed every 6 months in normal use or more frequently in heavy use. To order new charcoal filters, see the "Assistance or Service" section.

The charcoal filters capture unpleasant cooking odors.

To Install/Replace Charcoal Filters

1. Turn fan and lights off.
2. Remove all 4 metal grease filters. See "Metal Grease Filters" section.
3. Set metal grease filters aside.
4. Rotate to the left (counterclockwise) and pull away from the blower cover and discard filter pack. Repeat for other filter.



A. Filter

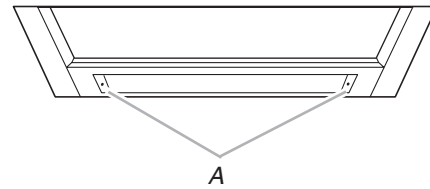
5. Place the charcoal filter against the blower cover and rotate to the right (clockwise) to attach to cover.
6. Replace metal grease filters. See "Metal Grease Filters" section.

Replacing the Bulb

Turn off the range hood and allow the bulb to cool.

Use a 15-watt fluorescent bulb with 30" (76.2 cm) unit and 18-watt bulb with 36" (91.4 cm) unit.

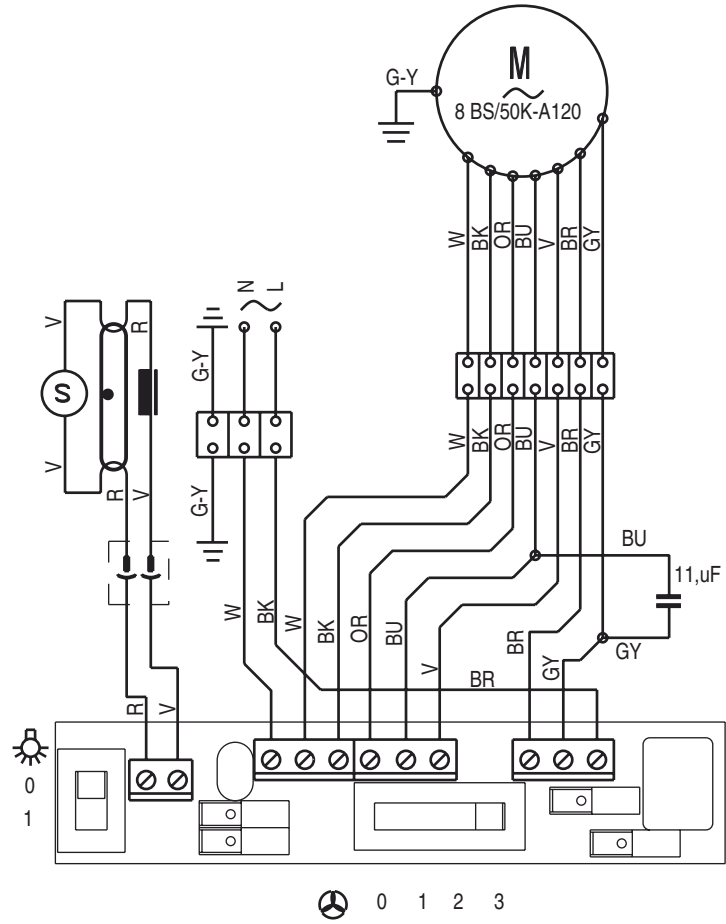
1. Disconnect power.
2. Remove the screws from the cover clips at each end of the light cover. Remove the cover clips and set them aside with the screws.



A. Cover clips and screws

3. Slide the light cover all the way to the right. Lower the left end of the cover below the support flange and slide it back to the left to remove the cover.
4. Replace the light bulb.
5. Slide the cover back into position. Reinstall the cover clips and screws. Tighten the screws.

WIRING DIAGRAM



ASSISTANCE OR SERVICE

When calling for assistance or service, please know the purchase date and the complete model and serial number of your appliance. This information will help us to better respond to your request.

If you need replacement parts

If you need to order replacement parts, we recommend that you use only factory specified parts. Factory specified parts will fit right and work right because they are made with the same precision used to build every new appliance. To locate factory specified replacement parts in your area, call us or your nearest designated service center.

In the U.S.A.

Call the KitchenAid Customer eXperience Center toll free: **1-800-422-1230**.

Our consultants provide assistance with:

- Features and specifications on our full line of appliances.
- Installation information.
- Use and maintenance procedures.
- Accessory and repair parts sales.
- Specialized customer assistance (Spanish speaking, hearing impaired, limited vision, etc.).
- Referrals to local dealers, repair parts distributors and service companies. KitchenAid designated service technicians are trained to fulfill the product warranty and provide after-warranty service, anywhere in the United States.

To locate the KitchenAid designated service company in your area, you can also look in your telephone directory Yellow Pages.

For further assistance

If you need further assistance, you can write to KitchenAid with any questions or concerns at:

KitchenAid Brand Home Appliances
Customer eXperience Center
553 Benson Road
Benton Harbor, MI 49022-2692

Please include a daytime phone number in your correspondence.

In Canada

Call the KitchenAid Canada Customer eXperience Centre toll free: **1-800-807-6777**.

Our consultants provide assistance with:

- Features and specifications on our full line of appliances.
- Use and maintenance procedures.
- Accessory and repair parts sales.
- Referrals to local dealers, repair parts distributors and service companies. KitchenAid Canada designated service technicians are trained to fulfill the product warranty and provide after-warranty service, anywhere in Canada.

For further assistance

If you need further assistance, you can write to KitchenAid Canada with any questions or concerns at:

Customer eXperience Centre
KitchenAid Canada
1901 Minnesota Court
Mississauga, Ontario L5N 3A7

Please include a daytime phone number in your correspondence.

Accessories

Recirculation Kit

(for non-vented installations only)
Order Part Number 4396565

Replacement Charcoal Filters

(for non-vented installations only)
Order Part Number 4378623

KITCHENAID® VENTILATION WARRANTY

LIMITED WARRANTY

For one year from the date of purchase, when this major appliance is operated and maintained according to instructions attached to or furnished with the product, KitchenAid brand of Whirlpool Corporation or Whirlpool Canada LP (hereafter "KitchenAid") will pay for Factory Specified Parts and repair labor to correct defects in materials or workmanship. Service must be provided by a KitchenAid designated service company. This limited warranty is valid only in the United States or Canada and applies only when the major appliance is used in the country in which it was purchased. Outside the 50 United States and Canada, this limited warranty does not apply. Proof of original purchase date is required to obtain service under this limited warranty.

ITEMS EXCLUDED FROM WARRANTY

This limited warranty does not cover:

1. Service calls to correct the installation of your major appliance, to instruct you on how to use your major appliance, to replace or repair house fuses, or to correct house wiring or plumbing.
2. Service calls to repair or replace appliance light bulbs, air filters or water filters. Consumable parts are excluded from warranty coverage.
3. Repairs when your major appliance is used for other than normal, single-family household use or when it is used in a manner that is contrary to published user or operator instructions and/or installation instructions.
4. Damage resulting from accident, alteration, misuse, abuse, fire, flood, acts of God, improper installation, installation not in accordance with electrical or plumbing codes, or use of consumables or cleaning products not approved by KitchenAid.
5. Cosmetic damage, including scratches, dents, chips or other damage to the finish of your major appliance, unless such damage results from defects in materials or workmanship and is reported to KitchenAid within 30 days from the date of purchase.
6. Costs associated with the removal from your home of your major appliance for repairs. This major appliance is designed to be repaired in the home and only in-home service is covered by this warranty.
7. Repairs to parts or systems resulting from unauthorized modifications made to the appliance.
8. Expenses for travel and transportation for product service if your major appliance is located in a remote area where service by an authorized KitchenAid servicer is not available.
9. The removal and reinstallation of your major appliance if it is installed in an inaccessible location or is not installed in accordance with published installation instructions.
10. Major appliances with original model/serial numbers that have been removed, altered or cannot be easily determined. This warranty is void if the factory applied serial number has been altered or removed from your major appliance.

The cost of repair or replacement under these excluded circumstances shall be borne by the customer.

DISCLAIMER OF IMPLIED WARRANTIES; LIMITATION OF REMEDIES

CUSTOMER'S SOLE AND EXCLUSIVE REMEDY UNDER THIS LIMITED WARRANTY SHALL BE PRODUCT REPAIR AS PROVIDED HEREIN. IMPLIED WARRANTIES, INCLUDING WARRANTIES OF MERCHANTABILITY OR FITNESS FOR A PARTICULAR PURPOSE, ARE LIMITED TO ONE YEAR OR THE SHORTEST PERIOD ALLOWED BY LAW. KITCHENAID SHALL NOT BE LIABLE FOR INCIDENTAL OR CONSEQUENTIAL DAMAGES. SOME STATES AND PROVINCES DO NOT ALLOW THE EXCLUSION OR LIMITATION OF INCIDENTAL OR CONSEQUENTIAL DAMAGES, OR LIMITATIONS ON THE DURATION OF IMPLIED WARRANTIES OF MERCHANTABILITY OR FITNESS, SO THESE EXCLUSIONS OR LIMITATIONS MAY NOT APPLY TO YOU. THIS WARRANTY GIVES YOU SPECIFIC LEGAL RIGHTS, AND YOU MAY ALSO HAVE OTHER RIGHTS WHICH VARY FROM STATE TO STATE OR PROVINCE TO PROVINCE.

If outside the 50 United States and Canada, contact your authorized KitchenAid dealer to determine if another warranty applies.

If you need service, first see the "Troubleshooting" section of the Use & Care Guide. After checking "Troubleshooting," you may find additional help by checking the "Assistance or Service" section or by calling KitchenAid. In the U.S.A., call **1-800-422-1230**. In Canada, call **1-800-807-6777**.

9/07

Keep this book and your sales slip together for future reference. You must provide proof of purchase or installation date for in-warranty service.

Write down the following information about your major appliance to better help you obtain assistance or service if you ever need it. You will need to know your complete model number and serial number. You can find this information on the model and serial number label located on the product.

Dealer name _____
Address _____
Phone number _____
Model number _____
Serial number _____
Purchase date _____

SÉCURITÉ DE LA HOTTE D'ASPIRATION

Votre sécurité et celle des autres est très importante.

Nous donnons de nombreux messages de sécurité importants dans ce manuel et sur votre appareil ménager. Assurez-vous de toujours lire tous les messages de sécurité et de vous y conformer.



Voici le symbole d'alerte de sécurité.

Ce symbole d'alerte de sécurité vous signale les dangers potentiels de décès et de blessures graves à vous et à d'autres.

Tous les messages de sécurité suivront le symbole d'alerte de sécurité et le mot "DANGER" ou "AVERTISSEMENT". Ces mots signifient :

⚠ DANGER

Risque possible de décès ou de blessure grave si vous ne suivez pas immédiatement les instructions.

⚠ AVERTISSEMENT

Risque possible de décès ou de blessure grave si vous ne suivez pas les instructions.

Tous les messages de sécurité vous diront quel est le danger potentiel et vous disent comment réduire le risque de blessure et ce qui peut se produire en cas de non-respect des instructions.

IMPORTANTES INSTRUCTIONS DE SÉCURITÉ

AVERTISSEMENT : POUR RÉDUIRE LE RISQUE D'INCENDIE, CHOC ÉLECTRIQUE OU DOMMAGES CORPORELS, RESPECTER LES INSTRUCTIONS SUIVANTES :

- Utiliser cet appareil uniquement dans les applications envisagées par le fabricant. Pour toute question, contacter le fabricant.
- Avant d'entreprendre un travail d'entretien ou de nettoyage, interrompre l'alimentation de la hotte au niveau du tableau de disjoncteurs, et verrouiller le tableau de disjoncteurs pour empêcher tout rétablissement accidentel de l'alimentation du circuit. Lorsqu'il n'est pas possible de verrouiller le tableau de disjoncteurs, placer sur le tableau de disjoncteurs une étiquette d'avertissement proéminente interdisant le rétablissement de l'alimentation.
- Tout travail d'installation ou câblage électrique doit être réalisé par une personne qualifiée, dans le respect des prescriptions de tous les codes et normes applicables, y compris les codes du bâtiment et de protection contre les incendies.
- Une source d'air de débit suffisant est nécessaire pour le fonctionnement correct de tout appareil à gaz (combustion et évacuation des gaz à combustion par la cheminée), pour qu'il n'y ait pas de reflux des gaz de combustion. Respecter les directives du fabricant de l'équipement de chauffage et les prescriptions des normes de sécurité - comme celles publiées par la National Fire Protection Association (NFPA) et l'American Society for Heating, Refrigeration and Air Conditioning Engineers (ASHRAE), et les prescriptions des autorités réglementaires locales.
- Lors d'opérations de découpage et de perçage dans un mur ou un plafond, veiller à ne pas endommager les câblages électriques ou canalisations qui peuvent s'y trouver.
- Les ventilateurs d'évacuation doivent toujours décharger l'air à l'extérieur.

MISE EN GARDE : Cet appareil est conçu uniquement pour la ventilation générale. Ne pas l'utiliser pour l'extraction de matières ou vapeurs dangereuses ou explosives.

MISE EN GARDE : Pour minimiser le risque d'incendie et évacuer adéquatement les gaz, veiller à acheminer l'air aspiré par un conduit jusqu'à l'extérieur - ne pas décharger l'air aspiré dans un espace vide du bâtiment comme une cavité murale, un plafond, un grenier, un vide sanitaire ou un garage.

AVERTISSEMENT : POUR RÉDUIRE LE RISQUE D'INCENDIE, UTILISER UNIQUEMENT DES CONDUITS MÉTALLIQUES.

AVERTISSEMENT : POUR MINIMISER LE RISQUE D'UN FEU DE GRAISSE SUR LA CUISINIÈRE :

- Ne jamais laisser un élément de surface fonctionner à puissance de chauffage maximale sans surveillance. Un renversement/débordement de matière grasseuse pourrait provoquer une inflammation et la génération de fumée. Utiliser une puissance de chauffage moyenne ou basse pour le chauffage d'huile.
- Veiller à toujours faire fonctionner le ventilateur de la hotte lors de la cuisson avec une puissance de chauffage élevée ou lors de la cuisson d'un mets à flamber (à savoir crêpes Suzette, cerise jubilee, steak au poivre flambé).
- Nettoyer fréquemment les ventilateurs d'extraction. Veiller à ne pas laisser la graisse s'accumuler sur les surfaces du ventilateur ou des filtres.
- Utiliser toujours un ustensile de taille appropriée. Utiliser toujours un ustensile adapté à la taille de l'élément chauffant.

AVERTISSEMENT: POUR RÉDUIRE LE RISQUE DE DOMMAGES CORPORELS APRÈS LE DÉCLENCHEMENT D'UN FEU DE GRAISSE SUR LA CUISINIÈRE, APPLIQUER LES RECOMMANDATIONS SUIVANTES :^a

- Placer sur le récipient un couvercle bien ajusté, une tôle à biscuits ou un plateau métallique **POUR ÉTOUFFER LES FLAMMES**, puis éteindre le brûleur. **VEILLER À ÉVITER LES BRÛLURES**. Si les flammes ne s'éteignent pas immédiatement, **ÉVACUER LA PIÈCE ET APPELER LES POMPIERS**.
- **NE JAMAIS PRENDRE EN MAIN UN RÉCIPIENT ENFLAMMÉ** - vous risquez de vous brûler.
- **NE PAS UTILISER D'EAU**, ni un torchon humide - ceci pourrait provoquer une explosion de vapeur brûlante.
- Utiliser un extincteur **SEULEMENT** si :
 - Il s'agit d'un extincteur de classe ABC, dont on connaît le fonctionnement.
 - Il s'agit d'un petit feu encore limité à l'endroit où il s'est déclaré.
 - Les pompiers ont été contactés.
 - Il est possible de garder le dos orienté vers une sortie pendant l'opération de lutte contre le feu.

^aRecommandations tirées des conseils de sécurité en cas d'incendie de cuisine publiés par la NFPA.

LIRE ET CONSERVER CES INSTRUCTIONS

EXIGENCES D'INSTALLATION

Outils et composants

Rassembler les outils et composants nécessaires avant d'entreprendre l'installation. Lire et observer les instructions fournies avec chacun des outils énumérés ci-dessous.

Outils nécessaires

- Niveau
- Perceuse
- Foret de 1¼"
- Tourne-écrou ou clé à cliquet de ⅜" (8,0 mm)
- Crayon
- Pince
- Pince à dénuder ou couteau utilitaire
- Mètre-ruban ou règle
- Pistolet à calfeutrage et composé de calfeutrage résistant aux intempéries
- Tournevis Phillips
- Tournevis à lame plate
- Scie sauteuse ou scie à guichet
- Brides de serrage pour conduit d'évacuation
- Cisaille de ferblantier

Pièces nécessaires

- Câble d'alimentation électrique du domicile
- Deux serre-câble approuvés de ½" (12,7 mm) (homologation UL ou CSA)

Pour les installations avec décharge à l'extérieur, il faudra aussi :

- 1 bouche de décharge (décharge à travers le mur ou à travers le toit)
- Circuit d'évacuation métallique

Pour les installations sans décharge à l'extérieur (recyclage), il faudra aussi :

- Ensemble de recyclage, pièce numéro 4396565. Voir "Assistance ou service" pour commander.

Pièces facultatives éventuellement nécessaires :

- Tringles d'appui en bois pour placards avec fond en retrait. Longueur et épaisseur selon les dimensions de l'encastrement. Voir la section "Préparation de l'emplacement".
- Deux tringles de bois 1" x 1" x 5" (25,4 x 25,4 x 127,0 mm) pour le plancher du placard. Voir la section "Préparation de l'emplacement".
- Quatre vis à bois, 1¼" (31,8 mm)

Pièces fournies

Retirer les pièces des emballages. Vérifier que toutes les pièces sont présentes.

- 2 vis
- Clapet
- Feuille de protection en plastique (pour panneau avant personnalisé)
- Sachet de quincaillerie
- Grille d'évacuation (pour les installations sans décharge à l'extérieur/recyclage)
- Garniture avant - blanche (préinstallée), noire et en aluminium brossé

Exigences d'emplacement

IMPORTANT : Observer les dispositions de tous les codes et règlements en vigueur.

Confier l'installation de la hotte à un technicien qualifié. C'est à l'installateur qu'incombe la responsabilité de respecter les distances de séparation exigées, spécifiées sur la plaque signalétique de l'appareil. La plaque signalétique de l'appareil est située derrière le filtre de gauche, sur la paroi arrière de la hotte.

Installer la hotte de cuisinière à distance de toute zone exposée à des courants d'air, comme fenêtres, portes et bouches de chauffage.

Respecter les dimensions indiquées pour les ouvertures à découper dans les placards. Ces dimensions tiennent compte des valeurs minimales des dégagements de séparation. Avant d'effectuer des découpages, consulter les instructions d'installation de la table de cuisson/cuisinière.

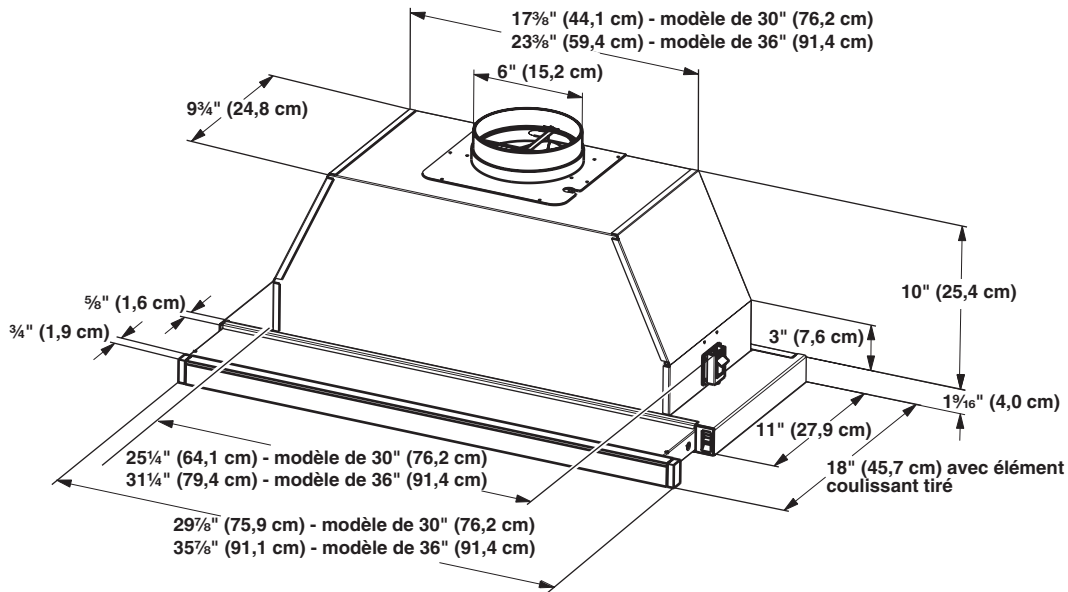
On doit disposer d'une prise de courant électrique reliée à la terre. Voir la section "Spécifications électriques".

La hotte a été configurée à l'usine pour une installation avec décharge à l'extérieur à travers le toit ou le mur. Pour une installation sans décharge à l'extérieur (recyclage), voir "Installation sans décharge à l'extérieur (recyclage) à travers le soffite/placard", à la section "Préparation de l'emplacement". L'ensemble de recyclage, pièce numéro 4396565, est disponible chez votre marchand ou chez un distributeur de pièces autorisé. Assurer l'étanchéité au niveau de chaque ouverture découpée dans le plafond ou le mur pour l'installation de la hotte de cuisinière.

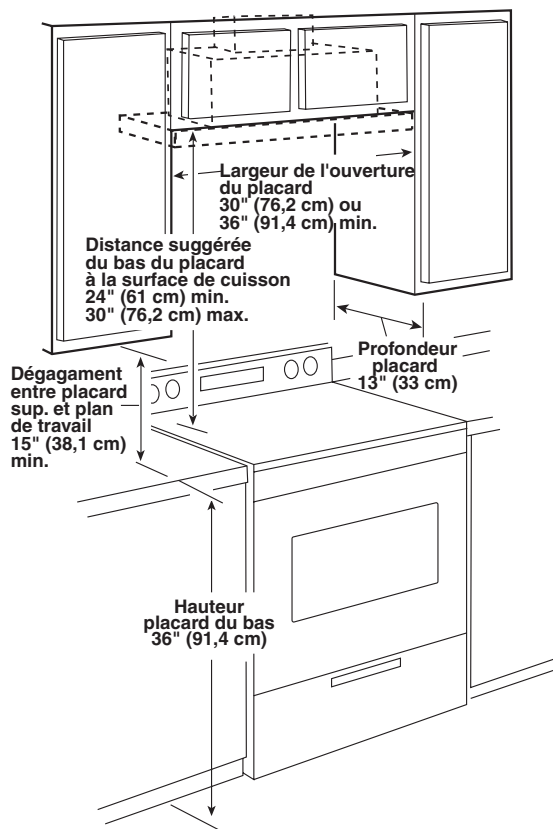
Installation dans une résidence mobile

L'installation de cette hotte doit satisfaire aux exigences de la norme Manufactured Home Construction Safety Standards, Titre 24 CFR, partie 328 (anciennement Federal Standard for Mobile Home Construction and Safety, titre 24, HUD, partie 280); lorsque cette norme n'est pas applicable, l'installation doit satisfaire aux critères de la plus récente édition de la norme Manufactured Home Installation 1982 (Manufactured Home Sites, Communities and Setups) ANSI A225.1/NFPA 501A*, ou des codes locaux.

Dimensions du produit



Dimensions du placard



Exigences concernant l'évacuation

(modèles avec décharge à l'extérieur uniquement)

- Le circuit d'évacuation doit décharger l'air à l'extérieur, excepté pour les installations sans décharge à l'extérieur (recyclage).
- Ne pas terminer le circuit d'évacuation dans un grenier ou dans un autre espace fermé.
- Ne pas utiliser une bouche de décharge murale de 4" (10,2 cm) normalement utilisée pour un équipement de buanderie.
- Utiliser un conduit métallique uniquement. Un conduit en métal rigide est recommandé. Ne pas utiliser de conduit de plastique ou en feuille métallique.
- La longueur du système d'évacuation et le nombre de coudes doit être réduit au minimum pour une performance efficace.

Pour un fonctionnement efficace et silencieux :

- Ne pas utiliser plus de trois coudes à 90°.
- Veiller à ce qu'il y ait une section droite de conduit d'un minimum de 24" (61,0 cm) entre les raccords coudés, si on doit en utiliser plus d'un.
- Ne pas installer 2 coudes ensemble.
- Le circuit d'évacuation doit comporter un clapet anti-reflux. Si la bouche de décharge murale ou par le toit comporte un clapet anti-reflux, ne pas utiliser le clapet fourni avec la hotte de cuisinière.
- Au niveau de chaque jointure du circuit d'évacuation, assurer l'étanchéité avec les brides de serrage.
- À l'aide d'un produit de calfeutrage, assurer l'étanchéité autour de la bouche de décharge à l'extérieur (à travers le mur ou le toit).
- La taille du conduit doit être uniforme.

Installations pour régions à climat froid

On doit installer un clapet anti-reflux supplémentaire à l'arrière pour minimiser le reflux d'air froid, et incorporer un élément d'isolation thermique pour minimiser la conduction de chaleur par l'intermédiaire du conduit d'évacuation, de l'intérieur de la maison à l'extérieur. Le clapet anti-reflux doit être placé du côté air froid par rapport à l'élément d'isolation thermique.

L'élément d'isolation thermique doit être aussi proche que possible de l'endroit où le circuit d'évacuation s'introduit dans la partie chauffée de la maison.

Air d'appoint

Les codes du locaux du bâtiment peuvent exiger l'emploi d'un système de renouvellement de l'air/introduction d'air d'appoint, lors de l'utilisation d'un système d'aspiration de débit supérieur à une valeur (pieds cubes par minute) spécifiée. Le débit spécifié en pieds cubes par minute varie d'une juridiction à l'autre. Consulter un professionnel des installations de CVCA au sujet des exigences spécifiques applicables dans la juridiction locale.

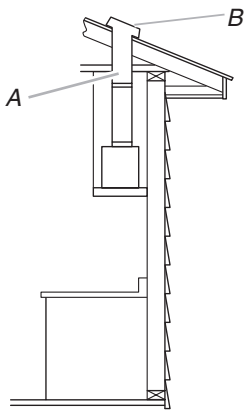
Méthodes d'évacuation

Cette hotte a été configurée à l'usine pour la décharge à travers le toit ou à travers le mur.

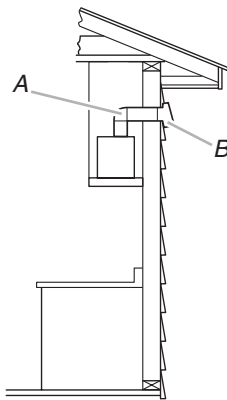
Le système de décharge requis pour l'installation n'est pas fourni. L'utilisation d'un circuit d'évacuation rectangulaire de 6" (15,2 cm) est recommandée.

Décharge à travers le toit

Décharge à travers le mur



A. Conduit de 6" (15,2 cm) à travers le toit
B. Bouche de décharge à travers le toit



A. Conduit de 6" (15,2 cm) à travers le mur
B. Bouche de décharge murale

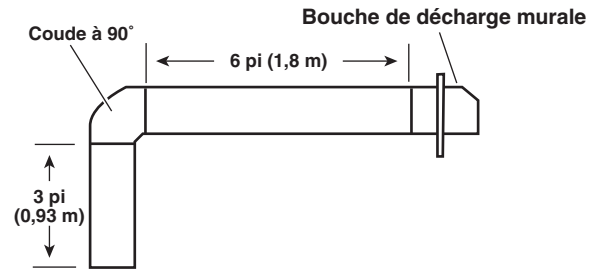
Calcul de la longueur effective du circuit d'évacuation

On recommande une longueur du circuit d'évacuation de 6" (15,2 cm) avec un maximum de 26 pi (8,0 m). Pour une performance optimale, ne pas utiliser plus de trois coudes à 90°.

Pour calculer la longueur effective du circuit d'évacuation nécessaire, additionner les longueurs équivalentes (en pieds/mètres) de tous les composants utilisés dans le circuit.

Composant	6" (15,2 cm)	
Coude à 45°	2,5 pi (0,8 m)	
Coude à 90°	5 pi (1,5 m)	

Exemple de circuit de décharge 6" (15,2 cm)

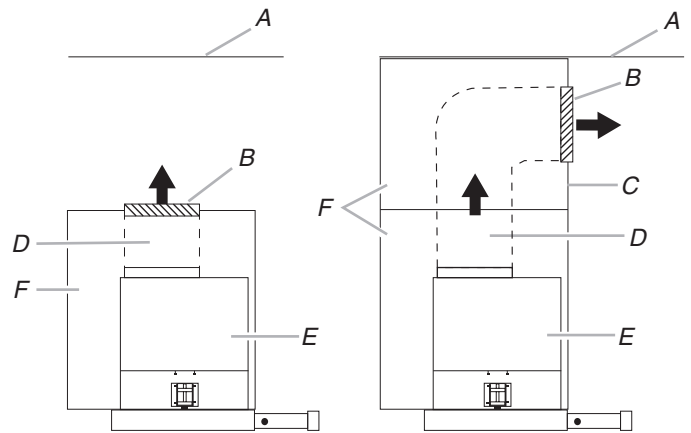


Longueur maximum = 26 pi (8 m)

1 - coude à 90°	= 5 pi (1,5 m)
1 - bouche de décharge murale	= 0 pi (0,0 m)
section droite de 9 pi (2,8 m)	= 9 pi (2,8 m)
Longueur totale	= 14 pi (4,3 m)

Installations sans décharge à l'extérieur (recyclage) à travers le soffite/placard

S'il n'est pas possible d'évacuer les fumées et vapeurs de cuisson à l'extérieur, on peut employer la version, installation sans décharge à l'extérieur (recyclage), de la hotte dotée d'un filtre à charbon actif. L'ensemble de recyclage pièce numéro 4396565 est disponible chez votre marchand ou chez un distributeur de pièces autorisé. L'installation d'un clapet anti-reflux n'est pas nécessaire.



A. Plafond
B. Couverture du conduit d'évacuation
C. Soffite

D. Conduit de 6" (15,2 cm)
E. Hotte de cuisinière
F. Placard

Spécifications électriques

Observer les dispositions de tous les codes et règlements en vigueur.

L'installation électrique doit satisfaire les exigences de la plus récente édition de la norme National Electrical Code, ANSI/NFPA 70, ou de la norme CSA C22.1-94, Code canadien de l'électricité, partie 1 et C22.2 N° 0-M91 (dernière édition) et de tous les codes et règlements en vigueur locaux.

Si les codes le permettent et si on utilise un conducteur distinct de liaison à la terre, il est recommandé qu'un électricien qualifié vérifie la qualité de la liaison à la terre.

Pour obtenir un exemplaire de la norme des codes ci-dessus, contacter :

National Fire Protection Association
One Batterymarch Park
Quincy, MA 02269

CSA International
8501 East Pleasant Valley Road
Cleveland, OH 44131-5575

- L'appareil doit être alimenté par un circuit de 120 V, CA seulement, 60 Hz, 15 A, protégé par fusible.

- Si le domicile est équipé d'un câblage en aluminium, suivre les instructions suivantes :

1. Connecter une section de câble en cuivre massif aux conducteurs en queue de cochon.
2. Connecter le câblage en aluminium à la section ajoutée de câblage en cuivre en utilisant des connecteurs et/ou des outils spécialement conçus et homologués UL pour fixer le cuivre à l'aluminium.

Appliquer la procédure recommandée par le fabricant des connecteurs. La connexion aluminium/cuivre doit être conforme aux codes locaux et aux pratiques de câblage acceptées par l'industrie.

- Le calibre des conducteurs et les connexions doivent être compatibles avec la demande de courant de l'appareil spécifiée sur la plaque signalétique. La plaque signalétique de l'appareil est située derrière le filtre, sur la paroi arrière de la hotte.
- Le calibre des conducteurs doit satisfaire les exigences de la plus récente édition de la norme National Electrical Code, ANSI/NFPA 70, ou de la norme CSA C22.1-94, Code canadien de l'électricité, partie 1 et C22.2 n° 0-M91 (dernière édition) et de tous les codes et règlements en vigueur.

INSTRUCTIONS D'INSTALLATION

Préparation de l'emplacement

- Il est recommandé que l'installation du circuit d'évacuation soit réalisée avant celle de la hotte.
 - Avant de procéder aux découpages, vérifier que les distances de séparation pour les raccords dans les cavités du plafond ou du mur sont adéquates.
1. Déconnecter la source de courant électrique.
 2. Déterminer la méthode d'évacuation à utiliser : décharge à travers le mur ou le toit, ou recyclage.
 3. Sélectionner une surface plane pour l'assemblage de la hotte. Placer le matériau de protection sur cette surface.

⚠ AVERTISSEMENT

Risque du poids excessif

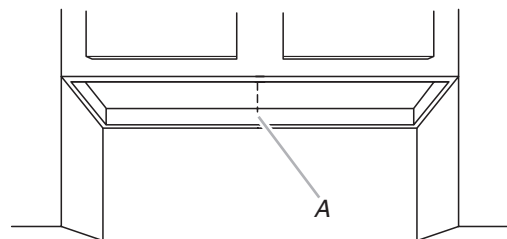
Utiliser deux ou plus de personnes pour déplacer et installer la hotte de la cuisinière.

Le non-respect de cette instruction peut causer une blessure au dos ou d'autre blessure.

4. À l'aide de deux personnes ou plus, soulever la hotte et la poser sur la surface couverte.

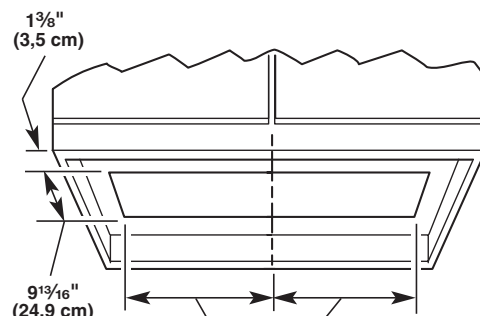
Ouverture découpée du placard pour la hotte

1. Repérer et tracer clairement l'axe central sur la face inférieure du placard.



A. Axe central

2. Relever les mesures appropriées et tracer les lignes indiquées sur l'illustration, selon la taille de la hotte. Utiliser une scie sauteuse ou scie à guichet pour découper l'ouverture à travers le fond du placard.

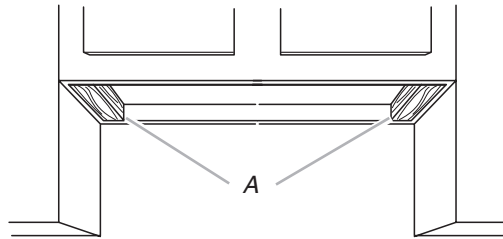


Hotte de 30" (76,2 cm) - 12⁵/₈" (32,0 cm)
Hotte de 36" (91,4 cm) - 15⁵/₈" (39,7 cm)

Dimensions de l'ouverture finie :

Hotte de 30" (76,2 cm) - 9¹³/₁₆" x 25¹/₄" (24,9 cm x 64,1 cm)
Hotte de 36" (91,4 cm) - 9¹³/₁₆" x 31¹/₄" (24,9 cm x 79,3 cm)

3. Si le fond du placard forme une cavité au-dessus d'un cadre de support, on devra installer des tringles d'appui en bois à droite et à gauche de l'ouverture découpée afin de laisser suffisamment d'espace pour pouvoir manœuvrer l'élément coulissant. Les tringles d'appui en bois doivent être en affleurement ou en retrait de $\frac{1}{16}$ " à $\frac{1}{8}$ " (1,6 mm à 3,2 mm) par rapport au fond du cadre de support.

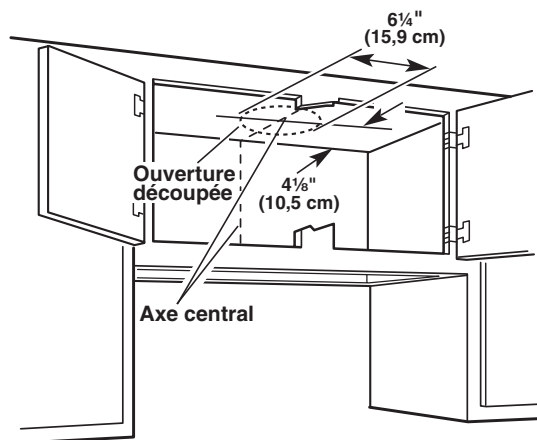


A. Tringles d'appui en bois

4. Terminer la préparation du placard conformément aux instructions, selon le type d'installation.

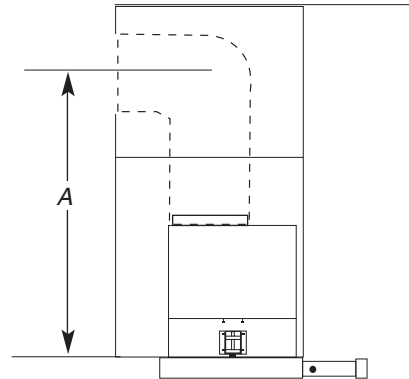
Décharge à l'extérieur, à travers le toit

Relever les mesures appropriées et tracer les lignes indiquées sur l'illustration. Utiliser une scie sauteuse ou scie à guichet pour découper une ouverture circulaire pour le passage du conduit d'évacuation.



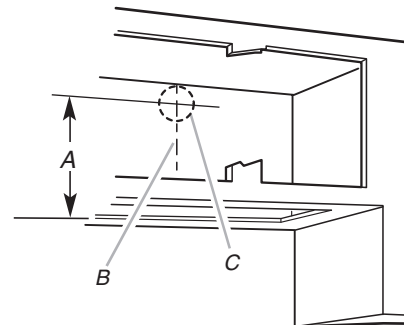
Décharge à l'extérieur, à travers le mur

Assembler le circuit d'évacuation qui sera utilisé sur l'ouverture de décharge. Ne pas raccorder le circuit d'évacuation à la hotte tout de suite. Mesurer la distance entre le sommet du logement du filtre et l'axe central horizontal de l'ouverture d'évacuation (A). Enlever le conduit d'évacuation.



A. Mesure A

Reporter la dimension A sur la paroi arrière du placard. Mesurer depuis la face inférieure du placard, ou la face inférieure des tringles d'appui en bois, le cas échéant. Marquer le périmètre de l'ouverture à découper – voir l'illustration. Utiliser une scie sauteuse ou scie à guichet pour découper une ouverture circulaire pour le passage du conduit d'évacuation.



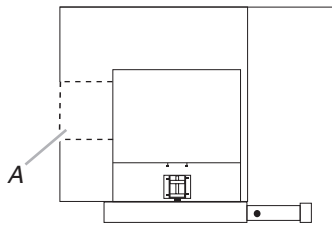
A. Mesure A

B. Axe central

C. Ouverture découpée circulaire de $6\frac{1}{4}$ " (15,9 cm)

Modification de la hotte pour évacuation par l'arrière facultative

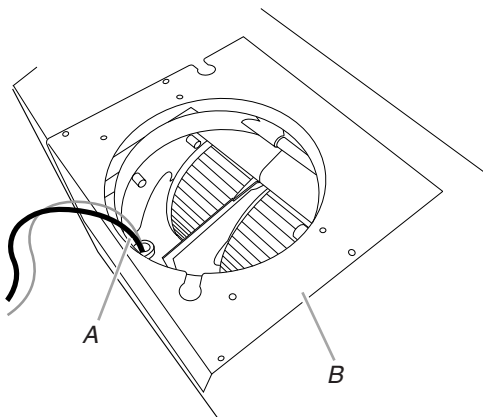
La hotte sort de l'usine avec le raccord de sortie situé sur la partie supérieure de la hotte. La bouche de décharge de la hotte peut être orientée pour une évacuation par l'arrière de la hotte, à travers le raccord de sortie..



A. Évacuation par l'arrière

Si l'on souhaite une évacuation par l'arrière de la hotte, suivre la procédure suivante.

- Placer la hotte sur le dos.
- Retirer les filtres métalliques. Voir la section "Entretien de la hotte".
- Couper l'attache métallique du faisceau de câblage.
- Replacer la hotte en position verticale.
- Maintenir le moteur du ventilateur pour l'empêcher de tomber lors du retrait des 4 vis fixant le ventilateur à la hotte. Abaisser le moteur de ventilateur avec précaution.
- Retirer le câble d'alimentation et son œillet du panneau.

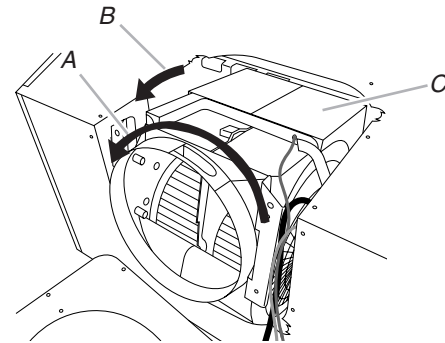


A. Cordon d'alimentation électrique et œillet
B. Panneau de montage du ventilateur

- Retirer les 12 vis du panneau de montage du ventilateur et soulever le panneau pour l'extraire.

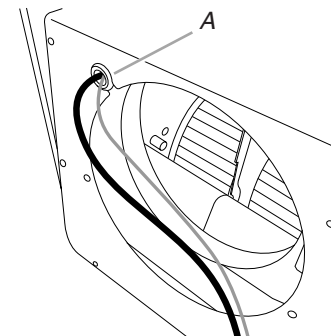
- Dégager le moteur du ventilateur et le faire pivoter de 90° de façon à ce que la sortie d'évacuation soit orientée vers l'arrière. Faire pivoter ensuite le moteur du ventilateur de 180° sur son axe d'évacuation de façon à ce que le côté plat du moteur du ventilateur soit orienté vers le haut.

REMARQUE : C'est la seule façon de procéder pour que le moteur soit correctement installé dans l'ouverture.



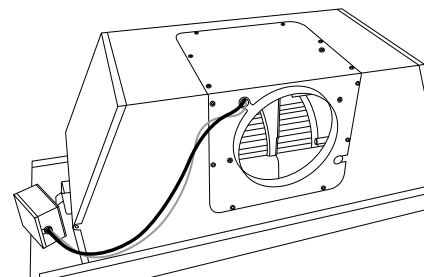
A. Rotation à 90°
B. Rotation à 180°
C. Côté plat du moteur du ventilateur

- Vérifier que le câblage est correctement installé.
- Placer le câble d'alimentation et son œillet au centre de l'ouverture de sortie du panneau de montage et repositionner l'œillet dans son encoche de montage.



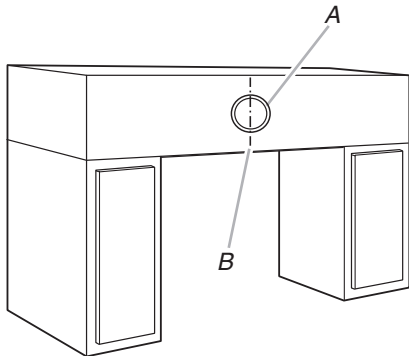
A. œillet/encoche de montage

- Placer le panneau de montage du ventilateur par-dessus la sortie d'évacuation et le monter sur le logement de la hotte avec les 12 vis de montage. Serrer les vis.
- Tirer le moteur du ventilateur à travers l'ouverture du panneau de montage du ventilateur et serrer les 4 vis de montage du ventilateur.



Installation sans décharge à l'extérieur (recyclage) à travers le soffite/placard

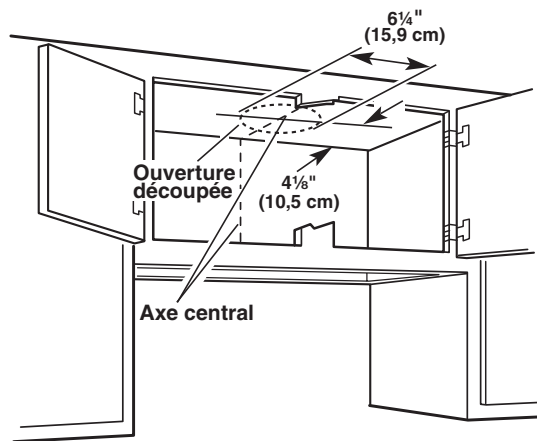
Relever les mesures appropriées et tracer une ouverture circulaire à découper dans le soffite en employant la méthode décrite pour la décharge à travers le mur. Relever les mesures appropriées et tracer l'axe central sur le soffite au-dessus de la zone de la hotte.



A. Couverture du conduit d'évacuation
B. Axe central

Utiliser le couvercle d'évent fourni avec la hotte ou un autre couvercle comme gabarit pour tracer l'ouverture pour le conduit d'évacuation. Utiliser une scie sauteuse ou scie à guichet pour découper une ouverture circulaire pour le passage du circuit d'évacuation.

L'air aspiré par la hotte peut être déchargé à l'intérieur, à travers le sommet du placard.



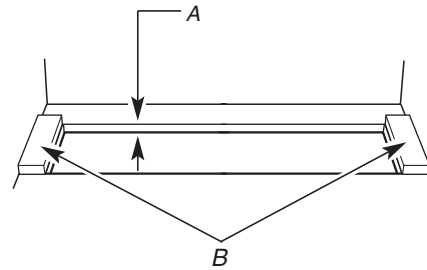
Pour une installation sans décharge à l'extérieur (recyclage), l'installation de filtres à charbon est nécessaire. Voir la section "Entretien de la hotte" pour des instructions sur l'installation de filtres au charbon.

On doit utiliser l'ensemble de recyclage, pièce numéro 4396565.

5. Installer le circuit d'évacuation selon la méthode requise. Utiliser un calfeutrant pour assurer l'étanchéité au point de traversée du mur extérieur ou du toit.
6. Acheminer le câblage à travers le mur ou le placard; veiller à respecter les prescriptions du Code de l'électricité et de tous les codes et règlements locaux.

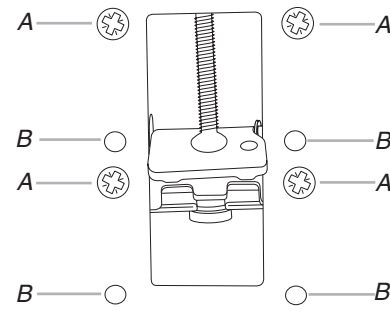
Utiliser un calfeutrant pour assurer l'étanchéité au point de traversée du câblage.

7. Mesurer l'épaisseur du plancher du placard, en incluant les tringles d'appui en bois si celles-ci sont utilisées. Si l'épaisseur est inférieure à $\frac{5}{8}$ " (15,9 mm), installer des tringles d'appui en bois d'une longueur minimale de 5" (12,7 cm) contre le plancher du placard. La bride de montage peut être réglée entre $\frac{5}{8}$ " (15,9 mm) et $2\frac{1}{8}$ " (54 mm) pour la prise en compte des tringles d'appui en bois.



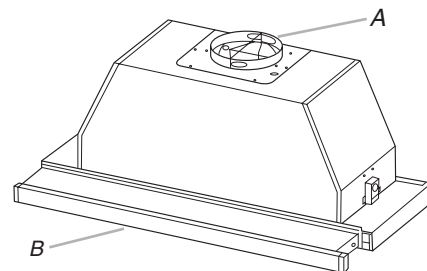
A. Moins de $\frac{5}{8}$ " (15,9 mm)
B. Tringles d'appui en bois (épaisseur en fonction des exigences)

8. Les brides à ressort sont installées à l'usine afin de convenir à une épaisseur allant de $1\frac{3}{16}$ " (3,0 cm) à $2\frac{1}{4}$ " (5,7 cm). Si l'épaisseur du fond du placard est inférieure à $1\frac{3}{16}$ " (3,0 cm), les brides à ressort peuvent être retirées et repositionnées plus bas, du réglage supérieur (A) vers le réglage inférieur (B), en retirant les 4 vis Phillips.



A. Réglage supérieur - installé à l'usine
B. Réglage inférieur

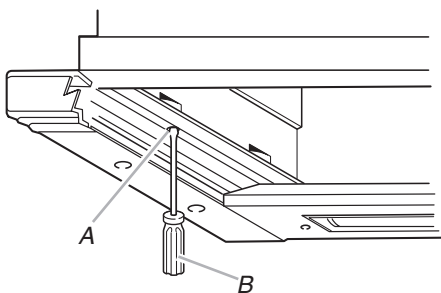
9. Placer le clapet circulaire dans l'ouverture d'évacuation de la hotte et exercer une pression vers le bas. Si la bouche de décharge à travers le toit ou la bouche de décharge murale comporte un clapet, ne pas fixer le clapet à la hotte d'évacuation.



A. Clapet anti-reflux
B. Élément coulissant de la hotte de cuisinière

10. Placer la hotte en appui sur la face arrière, sur une surface protégée.
 - a) Faire glisser l'élément coulissant de la hotte vers l'avant.
 - b) Ôter les filtres à graisse métalliques. Voir la section "Entretien de la hotte".

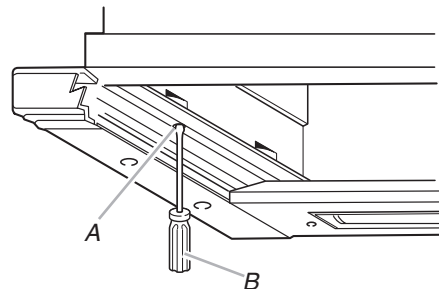
- c) Visser les brides de montage à la position supérieure.



A. Vis de bride de montage
B. Tournevis à lame plate

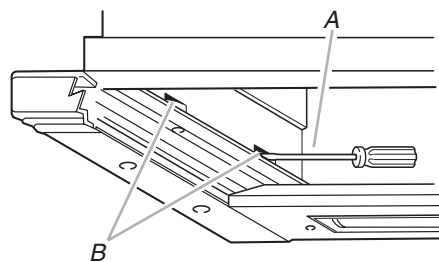
REMARQUE : Pour certaines configurations d'installation sans décharge à l'intérieur (recyclage), il peut être plus facile de fixer le circuit d'évacuation à la hotte avant de soulever la hotte jusqu'à son emplacement final. Serrer le point de connexion avec des brides.

4. Vérifier que le panneau avant est parallèle à la façade du placard lorsque le filtre est enfoncé. Faire coulisser le filtre vers l'avant. Serrer les vis de la bride de montage pour fixer la hotte au placard.



A. Vis de bride de montage
B. Tournevis à lame plate

5. Aligner le panneau avant de la hotte avec le placard. Faire glisser le filtre vers l'avant. Identifier les 2 vis de part et d'autre; les faire tourner dans le sens antihoraire et les desserrer. Ajuster l'avant de la hotte en position verticale, de $\frac{3}{8}$ " (9,5 mm) vers le haut ou vers le bas, ou horizontalement, de $\frac{3}{4}$ " (19 mm) d'avant en arrière, jusqu'à ce que l'avant soit en affleurement avec le placard. Serrer les vis. S'il est nécessaire d'ajuster les dimensions indiquées, modifier l'épaisseur des tringles d'appui ou repercer des trous de montage.



A. Tournevis Phillips
B. Vis de réglage

Installation de la hotte

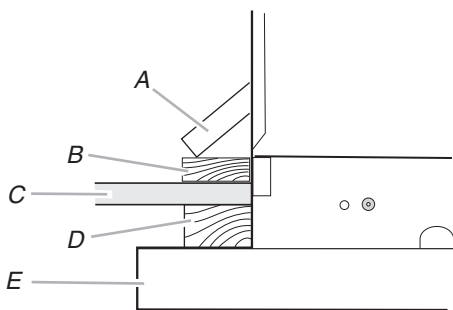
AVERTISSEMENT

Risque du poids excessif

Utiliser deux ou plus de personnes pour déplacer et installer la hotte de la cuisinière.

Le non-respect de cette instruction peut causer une blessure au dos ou d'autre blessure.

1. À l'aide d'au moins deux personnes, soulever la hotte et la placer à son emplacement final. (Le câblage et le boîtier de connexion doivent se trouver au-dessus de la hotte).
2. Les brides de montage doivent chevaucher le fond du placard ou les tringles d'appui en bois.
3. Centrer la hotte.



A. Bride de montage
B. Tringle d'appui en bois facultative
C. Fond du placard
D. Tringle d'appui en bois facultative pour placard encastré
E. Hotte coulissante

Raccordement électrique

AVERTISSEMENT



Risque de choc électrique

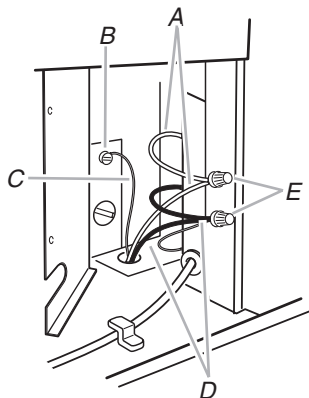
Déconnecter la source de courant électrique avant l'entretien.

Replacer pièces et panneaux avant de faire la remise en marche.

Le non-respect de ces instructions peut causer un décès ou un choc électrique.

1. Déconnecter la source de courant électrique.
2. Ôter le couvercle du boîtier de connexion.
3. Ôter l'opercule arrachable du couvercle du boîtier de connexion et installer un serre-câble de $\frac{1}{2}$ " (homologation UL ou CSA).

- Déterminer l'emplacement du boîtier de connexion et le fixer à l'intérieur du placard ou au mur en utilisant les 4 trous de montage situés à l'arrière du boîtier de connexion. (Les vis de montage ne sont pas fournies).
- Tirer le câble d'alimentation du domicile à travers le serre-câble, jusque dans le boîtier de connexion.
- Connecter ensemble les conducteurs noirs (D) à l'aide de connecteurs de fils (homologation UL).
- Connecter ensemble les conducteurs blancs (A) à l'aide de connecteurs de fils (homologation UL).



A. Conducteurs blancs
 B. Vis verte de liaison à la terre
 C. Conducteur de liaison à la terre
 D. Conducteurs noirs
 E. Connecteurs de fils

Raccordement du circuit d'évacuation

Installations avec décharge à l'extérieur

- Réinstaller les filtres métalliques. Voir la section "Entretien de la hotte".
- Connecter le circuit d'évacuation sur l'ouverture de décharge de la hotte. Serrer le point de connexion avec des brides.
- Reconnecter la source de courant électrique.
- Contrôler le fonctionnement du ventilateur de la hotte et de la lampe.
- Remettre l'élément coulissant de la hotte de cuisinière en place.

Installation sans décharge à l'extérieur (recyclage)

- Connecter le circuit d'évacuation sur l'ouverture de décharge de la hotte. Serrer le point de connexion avec des brides.
- Installer les filtres à charbon. Voir la section "Entretien de la hotte".
- Réinstaller les filtres à graisse métalliques. Voir la section "Entretien de la hotte".
- Reconnecter la source de courant électrique.
- Contrôler le fonctionnement du ventilateur de la hotte et de la lampe.
- Remettre l'élément coulissant de la hotte de cuisinière en place.

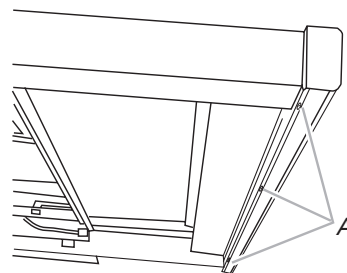
Pour commander des ensembles de rechange, voir la section "Assistance ou service".

Ensembles de garniture avant (facultatifs)

Des garnitures avant blanche, noire et en aluminium brossé sont fournies avec la hotte pour pouvoir assortir le panneau avant à la cuisinière ou à la table de cuisson. La garniture blanche est préinstallée. Suivre les instructions suivantes pour installer une garniture de couleur différente.

Installation de l'ensemble de garniture avant

- Extraire l'élément coulissant de la hotte de cuisinière pour pouvoir accéder aux vis.
- Enlever les filtres à graisse métalliques. Voir la section "Entretien de la hotte".
- Ôter les 3 vis de montage situées directement derrière le panneau avant.



A. Trois vis de montage

- Retirer la garniture existante et installer la nouvelle pièce.
- Fixer la nouvelle garniture au panneau avant à l'aide des 3 vis de montage. Serrer les vis.
- Réinstaller les filtres à graisse métalliques. Voir la section "Entretien de la hotte".
- Remettre le filtre de la hotte de cuisinière en place.

AVERTISSEMENT



Risque d'incendie

Relier le ventilateur à la terre.

Utiliser du fil en cuivre.

Brancher le fil relié à la terre à la vis verte reliée à la terre dans la boîte de la borne.

Le non-respect de ces instructions peut causer un décès, un incendie ou un choc électrique.

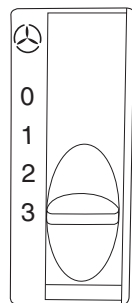
- Connecter le conducteur de liaison à la terre (vert ou nu) du câble d'alimentation du domicile à la vis verte de liaison à la terre située dans le boîtier de connexion de la hotte. Serrer la vis verte de liaison à la terre.
Utiliser un calfeutrant pour assurer l'étanchéité au point de traversée du câblage.
- Serrer la vis du serre-câble.
- Installer le couvercle du boîtier de connexion.

REMARQUE : Ne pas mettre le système sous tension avant d'avoir complètement terminé l'installation.

UTILISATION DE LA HOTTE

La hotte de cuisinière est conçue pour extraire fumée, vapeurs de cuisson et odeurs de la zone de la table de cuisson. Pour des résultats optimaux, mettre la hotte en marche avant d'entreprendre une cuisson, et la laisser fonctionner pendant plusieurs minutes après une cuisson afin d'évacuer toute odeur de cuisson et fumée de la cuisine.

Commande du ventilateur



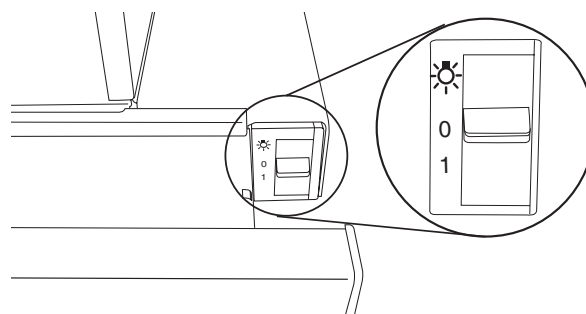
Fonctionnement du ventilateur

1. Faire glisser l'élément coulissant de la hotte vers l'avant.
REMARQUE : Lorsque l'élément coulissant est ouvert, le ventilateur fonctionne au réglage auquel le commutateur était placé lorsque l'élément coulissant a été fermé. Le ventilateur s'arrête lorsque l'élément coulissant se trouve à environ 2" (5,1 cm) de la position de fermeture.
2. Pour mettre le ventilateur en route, placer le commutateur du ventilateur à 0 (arrêt) à la vitesse de ventilateur souhaitée, à savoir 1 (basse), 2 (moyenne), ou 3 (élevée).
REMARQUE : À tout moment durant le fonctionnement de la hotte, on peut augmenter ou diminuer la vitesse du ventilateur de la hotte, ou encore arrêter le ventilateur.

3. Pour éteindre le ventilateur, placer le commutateur de ventilateur à 0 (arrêt) ou fermer l'élément coulissant.

REMARQUE : Le ventilateur s'éteint lorsque l'élément coulissant se trouve à environ 2" (5,1 cm) de sa position de fermeture. Lorsque l'élément coulissant est ouvert, le ventilateur fonctionne à la vitesse correspondant au dernier réglage.

Commande d'éclairage



Fonctionnement de l'éclairage

1. Ouvrir l'élément coulissant de la hotte.
2. Pour allumer la lumière, déplacer l'interrupteur de 0 (arrêt) à 1 (marche).
REMARQUE : Si l'interrupteur d'éclairage est laissé à la position 1 (marche), la lumière s'allumera chaque fois que l'on ouvrira l'élément coulissant. On peut aussi utiliser l'éclairage comme source d'éclairage nocturne en ouvrant l'élément coulissant d'environ 1" (2,5 cm).
3. Placer l'interrupteur d'éclairage à la position 0 (arrêt) ou fermer l'élément coulissant de la hotte pour éteindre la lumière.

ENTRETIEN DE LA HOTTE

Nettoyage

IMPORTANT : Nettoyer fréquemment la hotte et les filtres à graisse en suivant les instructions suivantes. Réinstaller les filtres à graisse avant de faire fonctionner la hotte.

Avant d'entreprendre le nettoyage de la hotte, attendre le refroidissement de la lampe.

Surfaces externes

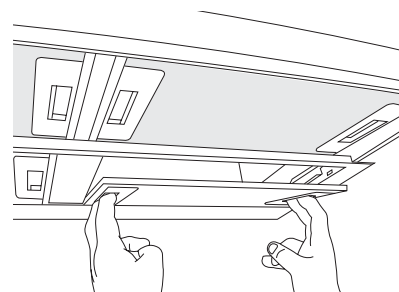
Nettoyer la hotte avec un détergent doux et un chiffon doux. Afin d'éviter d'endommager la surface externe, ne pas utiliser de nettoyeurs abrasifs ou de tampons en laine d'acier.

Filtres à graisse métalliques

Les filtres doivent être lavés fréquemment. Laver les filtres au lave-vaisselle ou avec une solution d'eau savonneuse chaude. Laisser l'eau s'écouler à travers les trous des bords de chaque filtre et sécher parfaitement chaque filtre avant de le réinstaller.

Dépose des filtres à graisse métalliques

1. Sortir l'élément coulissant de la hotte de cuisinière pour exposer les filtres.
2. Avec les 2 mains, appuyer sur les onglets à chaque extrémité du filtre métallique et tirer vers le bas pour le retirer.
3. Répéter l'étape 2 pour chaque filtre.



Réinstallation des filtres à graisse métalliques

1. Avec les 2 mains, insérer le filtre métallique dans les ouvertures du filtre.
2. Soulever le filtre métallique et appuyer sur les deux onglets situés aux extrémités du filtre. Une fois le filtre en place, relâcher les onglets pour enclencher le filtre.
3. Répéter les étapes 1 et 2 pour chaque filtre.

Filtres à charbon – Installation sans décharge à l'extérieur (recyclage)

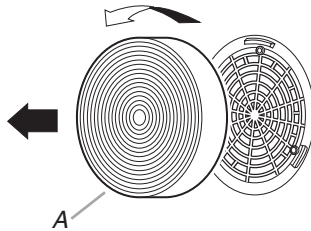
Les filtres à charbon ne sont pas lavables ni réutilisables.

Ils doivent être remplacés tous les 6 mois en cas d'utilisation normale ou plus fréquemment en cas d'utilisation intense. Pour commander de nouveaux filtres à charbon, voir la section "Assistance ou service".

Les filtres à charbon retiennent les composés responsables des odeurs de cuisson.

Installation/remplacement des filtres à charbon

1. Éteindre le ventilateur et les lampes.
2. Ôter les 4 filtres à graisse métalliques. Voir la section "Filtres à graisse métalliques".
3. Mettre les filtres à graisse métalliques de côté.
4. Faire pivoter le filtre vers la gauche (dans le sens antihoraire), le dégager de la grille du ventilateur et jeter les vieux filtres. Répéter pour l'autre filtre.



A. Filtre

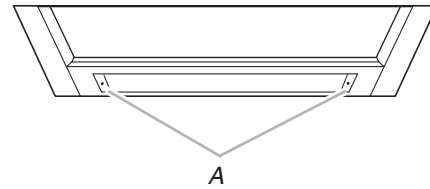
5. Placer le filtre à charbon contre la grille du ventilateur; faire pivoter vers la droite (dans le sens horaire) pour fixer le filtre sur la grille.
6. Réinstaller les filtres à graisse métalliques. Voir la section "Filtres à graisse métalliques".

Remplacement de l'ampoule

Interrompre l'alimentation de la hotte et laisser l'ampoule refroidir.

Utiliser une ampoule fluorescente de 15 watts pour le modèle de 30" (76,2 cm), ou une ampoule de 18 watts pour le modèle de 36" (91,4 cm).

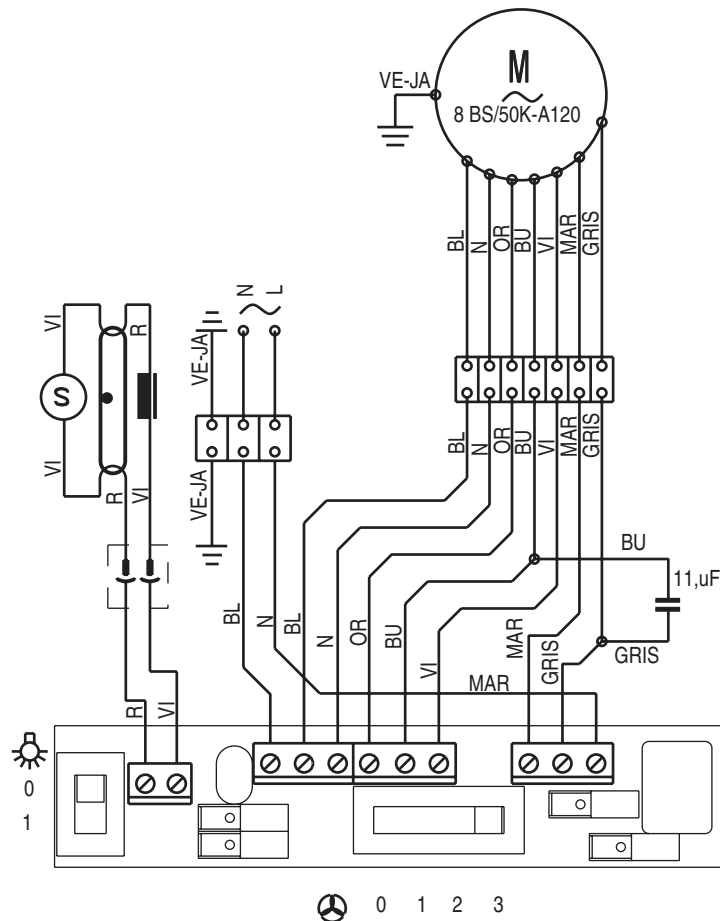
1. Déconnecter la source de courant électrique.
2. Retirer les vis des attaches du couvercle, à chaque extrémité du couvercle d'éclairage. Retirer les attaches de couvercle et les conserver avec les vis.



A. Attaches et vis de couvercle

3. Faire coulisser le couvercle d'éclairage complètement vers la droite. Abaisser l'extrémité gauche du couvercle sous le rebord de soutien et le faire à nouveau coulisser vers la gauche pour retirer le couvercle.
4. Remplacer l'ampoule.
5. Remettre le couvercle en position en le faisant coulisser. Réinstaller les attaches et les vis de couvercle. Serrer les vis.

SCHÉMAS DE CÂBLAGE



ASSISTANCE OU SERVICE

Lors d'un appel pour assistance ou service, veuillez connaître la date d'achat, le numéro de modèle et le numéro de série au complet de l'appareil. Ces renseignements nous aideront à mieux répondre à votre demande.

Si vous avez besoin de pièces de rechange

Si vous avez besoin de commander des pièces de rechange, nous vous recommandons d'employer uniquement des pièces spécifiées par l'usine. Les pièces spécifiées par l'usine conviendront et fonctionneront bien parce qu'elles sont fabriquées avec la même précision utilisée dans la fabrication de chaque nouvel appareil. Pour localiser des pièces spécifiées par l'usine dans votre région, nous appelons ou téléphonons au centre de service désigné le plus proche.

Veuillez appeler sans frais le Centre pour l'eXpérience de la clientèle de KitchenAid Canada au : **1-800-807-6777**.

Nos consultants vous renseigneront sur les sujets suivants :

- Caractéristiques et spécifications sur toute notre gamme d'appareils électroménagers.
- Consignes d'utilisation et d'entretien.
- Vente d'accessoires et de pièces de rechange.

- Références aux marchands locaux, aux distributeurs de pièces de rechange et aux compagnies de service. Les techniciens de service désignés par KitchenAid Canada sont formés pour remplir la garantie des produits et fournir un service après la garantie, partout au Canada.

Pour plus d'assistance

Si vous avez besoin de plus d'assistance, vous pouvez soumettre par écrit toute question ou préoccupation à KitchenAid Canada à l'adresse suivante :

Centre pour l'eXpérience de la clientèle
KitchenAid Canada
1901 Minnesota Court
Mississauga, Ontario L5N 3A7

Veuillez inclure dans votre correspondance un numéro de téléphone où l'on peut vous joindre dans la journée.

Accessoires

Ensemble de recyclage

(pour installations sans décharge à l'extérieur uniquement)
Commander la pièce numéro 4396565

Filtres au charbon de rechange

(pour installations sans décharge à l'extérieur uniquement)
Commander la pièce numéro 4378623

GARANTIE DU SYSTÈME DE VENTILATION KITCHENAID®

GARANTIE LIMITÉE

Pendant un an à compter de la date d'achat, lorsque ce gros appareil ménager est utilisé et entretenu conformément aux instructions jointes à ou fournies avec le produit, la marque KitchenAid de Whirlpool Corporation ou Whirlpool Canada LP (ci-après désignées "KitchenAid") paiera pour les pièces spécifiées par l'usine et la main-d'œuvre pour corriger les vices de matériaux ou de fabrication. Le service doit être fourni par une compagnie de service désignée par KitchenAid. Cette garantie limitée est valide uniquement aux États-Unis ou au Canada et s'applique exclusivement lorsque l'appareil est utilisé dans le pays où il a été acheté. À l'extérieur du Canada et des 50 États des États-Unis, cette garantie limitée ne s'applique pas. Une preuve de la date d'achat original est exigée pour obtenir un service dans le cadre de la présente garantie limitée.

ARTICLES EXCLUS DE LA GARANTIE

La présente garantie limitée ne couvre pas :

1. Les visites de service pour rectifier l'installation du gros appareil ménager, montrer à l'utilisateur comment utiliser l'appareil, remplacer ou réparer des fusibles ou rectifier le câblage ou la plomberie du domicile.
2. Les visites de service pour réparer ou remplacer les ampoules électriques de l'appareil, les filtres à air ou les filtres à eau. Les pièces consommables ne sont pas couvertes par la garantie.
3. Les réparations lorsque le gros appareil ménager est utilisé à des fins autres que l'usage unifamilial normal ou lorsque les instructions d'installation et/ou les instructions de l'opérateur ou de l'utilisateur fournies ne sont pas respectées.
4. Les dommages imputables à : accident, modification, usage impropre ou abusif, incendie, inondation, actes de Dieu, installation fautive ou installation non conforme aux codes d'électricité ou de plomberie, ou l'utilisation de pièces consommables ou de produits nettoyants non approuvés par KitchenAid.
5. Les défauts apparents, notamment les éraflures, les bosses, fissures ou tout autre dommage au fini du gros appareil ménager, à moins que ces dommages soient dus à des vices de matériaux ou de fabrication et soient signalés à KitchenAid dans les 30 jours suivant la date d'achat.
6. Les coûts associés au transport du gros appareil ménager du domicile pour réparation. Ce gros appareil ménager est conçu pour être réparé à domicile et seul le service à domicile est couvert par la présente garantie.
7. Les réparations aux pièces ou systèmes résultant d'une modification non autorisée faite à l'appareil.
8. Les frais de transport pour le service d'un produit si votre gros appareil est situé dans une région éloignée où un service d'entretien KitchenAid autorisé n'est pas disponible.
9. La dépose et la réinstallation de votre gros appareil si celui-ci est installé dans un endroit inaccessible ou n'est pas installé conformément aux instructions d'installation fournies.
10. Les gros appareils ménagers dont les numéros de série et de modèle originaux ont été enlevés, modifiés ou qui ne peuvent pas être facilement identifiés. La présente garantie est nulle si le numéro de série d'usine a été modifié ou enlevé du gros appareil ménager.

Le coût d'une réparation ou d'un remplacement dans le cadre de ces circonstances exclues est à la charge du client.

CLAUSE D'EXONÉRATION DE RESPONSABILITÉ AU TITRE DES GARANTIES IMPLICITES; LIMITATION DES RECOURS

LE SEUL ET EXCLUSIF RECOURS DU CLIENT DANS LE CADRE DE LA PRÉSENTE GARANTIE LIMITÉE CONSISTE EN LA RÉPARATION PRÉVUE CI-DESSUS. LES GARANTIES IMPLICITES, Y COMPRIS LES GARANTIES APPLICABLES DE QUALITÉ MARCHANDE ET D'APTITUDE À UN USAGE PARTICULIER, SONT LIMITÉES À UN AN OU À LA PLUS COURTE PÉRIODE AUTORISÉE PAR LA LOI. KITCHENAID N'ASSUME AUCUNE RESPONSABILITÉ POUR LES DOMMAGES FORTUITS OU INDIRECTS. CERTAINES JURIDICTIONS NE PERMETTENT PAS L'EXCLUSION OU LA LIMITATION DES DOMMAGES FORTUITS OU INDIRECTS, OU LES LIMITATIONS DE LA DURÉE DES GARANTIES IMPLICITES DE QUALITÉ MARCHANDE OU D'APTITUDE À UN USAGE PARTICULIER, DE SORTES QUE CES EXCLUSIONS OU LIMITATIONS PEUVENT NE PAS S'APPLIQUER DANS VOTRE CAS. CETTE GARANTIE VOUS CONFÈRE DES DROITS JURIDIQUES SPÉCIFIQUES ET VOUS POUVEZ ÉGALEMENT JOUIR D'AUTRES DROITS QUI PEUVENT VARIER D'UNE JURIDICTION À UNE AUTRE.

Si vous résidez à l'extérieur du Canada et des 50 États des États-Unis, contactez votre marchand KitchenAid autorisé pour déterminer si une autre garantie s'applique.

Si vous avez besoin de service, voir d'abord la section "Dépannage" du Guide d'utilisation et d'entretien. Après avoir vérifié la section "Dépannage", de l'aide supplémentaire peut être trouvée en vérifiant la section "Assistance ou service" ou en appelant KitchenAid. Aux É.-U., composer le **1-800-422-1230**. Au Canada, composer le **1-800-807-6777**. 4/09

Conservez ce manuel et votre reçu de vente ensemble pour référence ultérieure. Pour le service sous garantie, vous devez présenter un document prouvant la date d'achat ou d'installation.

Inscrivez les renseignements suivants au sujet de votre gros appareil ménager pour mieux vous aider à obtenir assistance ou service en cas de besoin. Vous devrez connaître le numéro de modèle et le numéro de série au complet. Vous trouverez ces renseignements sur la plaque signalétique située sur le produit.

Nom du marchand _____

Adresse _____

Numéro de téléphone _____

Numéro de modèle _____

Numéro de série _____

Date d'achat _____