

THANK YOU for purchasing this high-quality product. If you should experience a problem not covered in TROUBLESHOOTING, please visit our website at www.kitchenaid.com for additional information. If you still need assistance, call us at 1-800-422-1230.

In Canada, visit our website at www.kitchenaid.ca or call us at 1-800-807-6777 for additional information.

You will need your model and serial number, located on the oven frame behind the top right side of the oven door.

Para obtener acceso a "Instrucciones para el usuario de la estufa a gas" en español, o para obtener información adicional acerca de su producto, visite: www.kitchenaid.com

Deberá tener a mano el número de modelo y de serie, que están ubicados en el marco del horno, detrás del lado derecho superior de la puerta del horno.

Table of Contents

RANGE SAFETY	2
The Anti-Tip Bracket	3
FEATURE GUIDE	4
COOKTOP USE	6
Grates	6
Griddle.....	6
Sealed Surface Burners	7
Burner Size.....	7
Cookware	8
Home Canning	8
OVEN USE	8
Electronic Oven Controls	9
Sabbath Mode	10
Aluminum Foil.....	10
Positioning Racks and Bakeware	10
Split Oven Rack (on some models)	11
Oven Vent.....	11
Baking and Roasting.....	12
Broiling	12
Convection Cooking	12
EasyConvect™ Conversion.....	13
Cook Time.....	13
Proofing Bread	14
RANGE CARE	14
Clean Cycle	14
General Cleaning.....	15
Oven Light	16
TROUBLESHOOTING	16
ACCESSORIES	19
WARRANTY	19

RANGE SAFETY

Your safety and the safety of others are very important.

We have provided many important safety messages in this manual and on your appliance. Always read and obey all safety messages.



This is the safety alert symbol.

This symbol alerts you to potential hazards that can kill or hurt you and others.

All safety messages will follow the safety alert symbol and either the word “DANGER” or “WARNING.”

These words mean:

⚠ DANGER

You can be killed or seriously injured if you don't immediately follow instructions.

⚠ WARNING

You can be killed or seriously injured if you don't follow instructions.

All safety messages will tell you what the potential hazard is, tell you how to reduce the chance of injury, and tell you what can happen if the instructions are not followed.

WARNING: If the information in this manual is not followed exactly, a fire or explosion may result causing property damage, personal injury or death.

- Do not store or use gasoline or other flammable vapors and liquids in the vicinity of this or any other appliance.
- **WHAT TO DO IF YOU SMELL GAS:**
 - Do not try to light any appliance.
 - Do not touch any electrical switch.
 - Do not use any phone in your building.
 - Immediately call your gas supplier from a neighbor's phone. Follow the gas supplier's instructions.
 - If you cannot reach your gas supplier, call the fire department.
- Installation and service must be performed by a qualified installer, service agency or the gas supplier.

WARNING: Gas leaks cannot always be detected by smell.

Gas suppliers recommend that you use a gas detector approved by UL or CSA.

For more information, contact your gas supplier.

If a gas leak is detected, follow the “What to do if you smell gas” instructions.

State of California Proposition 65 Warnings:

WARNING: This product contains one or more chemicals known to the State of California to cause cancer.

WARNING: This product contains one or more chemicals known to the State of California to cause birth defects or other reproductive harm.

The Anti-Tip Bracket

The range will not tip during normal use. However, the range can tip if you apply too much force or weight to the open door without the anti-tip bracket fastened down properly.



⚠ WARNING

Tip Over Hazard

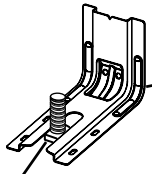
A child or adult can tip the range and be killed.

Verify the anti-tip bracket has been properly installed and engaged per installation instructions.

Re-engage anti-tip bracket if range is moved.

Do not operate range without anti-tip bracket installed and engaged.

Failure to follow these instructions can result in death or serious burns to children and adults.



Range Foot

Anti-Tip
Bracket

To verify the anti-tip bracket is installed and engaged:

- Slide range forward.
- Look for the anti-tip bracket securely attached to floor or wall.
- Slide range back so rear range foot is under anti-tip bracket.
- See installation instructions for details.

IMPORTANT SAFETY INSTRUCTIONS

WARNING: To reduce the risk of fire, electrical shock, injury to persons, or damage when using the range, follow basic precautions, including the following:

- **WARNING:** TO REDUCE THE RISK OF TIPPING OF THE RANGE, THE RANGE MUST BE SECURED BY PROPERLY INSTALLED ANTI-TIP DEVICES. TO CHECK IF THE DEVICES ARE INSTALLED PROPERLY, SLIDE RANGE FORWARD, LOOK FOR ANTI-TIP BRACKET SECURELY ATTACHED TO FLOOR OR WALL, AND SLIDE RANGE BACK SO REAR RANGE FOOT IS UNDER ANTI-TIP BRACKET.
- **WARNING:** NEVER use this appliance as a space heater to heat or warm the room. Doing so may result in carbon monoxide poisoning and overheating of the oven.
- **WARNING:** NEVER cover any slots, holes or passages in the oven bottom or cover an entire rack with materials such as aluminum foil. Doing so blocks air flow through the oven and may cause carbon monoxide poisoning. Aluminum foil linings may also trap heat, causing a fire hazard.
- **CAUTION:** Do not store items of interest to children in cabinets above a range or on the backguard of a range – children climbing on the range to reach items could be seriously injured.

- Proper Installation – The range, when installed, must be electrically grounded in accordance with local codes or, in the absence of local codes, with the *National Electrical Code, ANSI/NFPA 70*. In Canada, the range must be electrically grounded in accordance with Canadian Electrical Code. Be sure the range is properly installed and grounded by a qualified technician.
 - This range is equipped with a three-prong grounding plug for your protection against shock hazard and should be plugged directly into a properly grounded receptacle. Do not cut or remove the grounding prong from this plug.
 - Disconnect power before servicing.
 - Injuries may result from the misuse of appliance doors or drawers such as stepping, leaning, or sitting on the doors or drawers.
 - Maintenance – Keep range area clear and free from combustible materials, gasoline, and other flammable vapors and liquids.
 - Storage in or on the Range – Flammable materials should not be stored in an oven or near surface units.
 - Top burner flame size should be adjusted so it does not extend beyond the edge of the cooking utensil.
- For self-cleaning ranges –**
- Before Self-Cleaning the Oven – Remove broiler pan and other utensils. Wipe off all excessive spillage before initiating the cleaning cycle.

SAVE THESE INSTRUCTIONS

FEATURE GUIDE

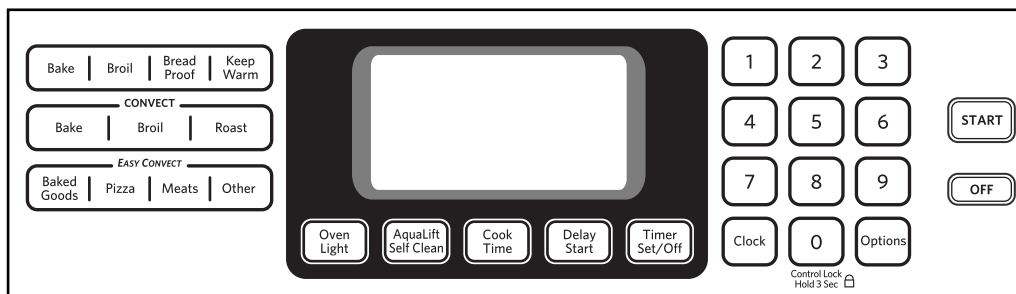
This manual covers several models. Your model may have some or all of the items listed. Refer to this manual or the Frequently Asked Questions (FAQs) section of our website at www.kitchenaid.com for more detailed instructions. In Canada, refer to the Customer Service section at www.kitchenaid.ca.

⚠ WARNING

Food Poisoning Hazard

Do not let food sit in oven more than one hour before or after cooking.

Doing so can result in food poisoning or sickness.



KEYPAD	FEATURE	INSTRUCTIONS
CLOCK	Clock	This clock can use a 12- or 24-hour cycle. See “Electronic Oven Controls” section. <ol style="list-style-type: none"> 1. Press CLOCK. 2. Press “3” for AM or “6” for PM. 3. Press the number keypads to set the time of day. 4. Press START.
OVEN LIGHT	Oven cavity light	While the oven door is closed, press the OVEN LIGHT keypad to turn the light on and off. The oven light will come on when the oven door is opened.
TIMER SET/OFF	Oven timer	The Timer can be set in hours or minutes up to 9 hours and 59 minutes. <ol style="list-style-type: none"> 1. Press TIMER. 2. Press the number keypads to set the length of time in hr-min-min. Leading zeroes do not have to be entered. For example, for 2 minutes, enter “2.” 3. Press TIMER to begin the countdown. If enabled, end-of-cycle tones will sound at end of countdown. 4. Press TIMER to cancel the Timer and return to the Time of Day. Do not press the Off keypad because the oven will turn off.
START	Cooking start	The Start pad begins any oven function. If Start is not pressed within 2 minutes after pressing a keypad, the function is canceled and the time of day is displayed.
OFF	Range function	The Off keypad stops any oven function except the Clock, Timer and Control Lock.
BAKE	Baking and roasting	<ol style="list-style-type: none"> 1. Press BAKE. 2. Press the number keypads to set a temperature other than 350°F (177°C) in 5° increments between 170°F and 500°F (75°C and 260°C). 3. Press START. 4. To change the temperature, repeat Step 2. Press START for the change to take effect. 5. Press OFF when finished.
BROIL	Broiling	<ol style="list-style-type: none"> 1. Press BROIL. 2. Select the broiling temperature by pressing 1 - high (500°F [260°C]), 2 - medium (450°F [233°C]) or 3 - low (400°F [205°C]). 3. Press START and allow the oven to preheat for 5 minutes. 4. Position the cookware in the oven and close the door. 5. Press OFF when finished.

KEYPAD	FEATURE	INSTRUCTIONS
CONVECT BAKE	Convection cooking	<ol style="list-style-type: none"> 1. Press CONVECT BAKE. 2. Press the number keypads to set a temperature other than 350°F (177°C) in 5° increments between 170°F and 500°F (77°C and 260°C). 3. Press START. 4. To change the temperature, repeat Step 2. Press START for the change to take effect. 5. Press OFF when finished.
CONVECT ROAST	Convection cooking	<ol style="list-style-type: none"> 1. Press CONVECT ROAST. 2. Press the number keypads to set a temperature other than 325°F (163°C) in 5° increments between 170°F and 500°F (77°C and 260°C). 3. Press START. 4. To change the temperature, repeat Step 2. Press START for the change to take effect. 5. Press OFF when finished.
CONVECT BROIL	Convection cooking	<ol style="list-style-type: none"> 1. Press CONVECT BROIL. 2. Press the number keypads to set a temperature other than 325°F (163°C) in 5° increments between 170°F and 500°F (77°C and 260°C). 3. Press START. 4. To change the temperature, repeat Step 2. Press START for the change to take effect. 5. Press OFF when finished.
EASYCONVECT CONVERSION	Recipe conversion for convection cooking	<p>NOTE: For best results, preheat your oven to the required temperature prior to using EasyConvect™ Conversion. After preheating is complete, press the OFF key before using EasyConvect™ Conversion.</p> <ol style="list-style-type: none"> 1. Press the appropriate EasyConvect™ key (MEATS, PIZZA, BAKED GOODS or OTHER). 2. Press the number keypads to enter the standard cooking temperature, then press START. 3. Press the number keypads to enter the standard cook time, then press START. 4. Place food in the oven. Check food for doneness before the stop time is reached. If food will not be done when stop time is reached, add more cooking time before time elapses. See “Cook Time” section. At the end of the stop time, the oven will automatically turn off. 5. Press OFF when finished. <p>Refer to “EasyConvect™ Conversion” section for more information.</p>
BREAD PROOF	Proofing bread	<ol style="list-style-type: none"> 1. Press BREAD PROOF until the desired proof is displayed (“Stdnd Proof” or “Rapid Proof”). NOTE: “Rapid” operates at a slightly higher temperature for second rise of formed dough. 2. Press START. Let the dough rise until nearly doubled in size. Proofing time may vary depending on dough type and quantity. 3. Press OFF when finished proofing. <p>Refer to the “Proofing Bread” section for more information.</p>
KEEP WARM	Hold warm	<p>Food must be at serving temperature before placing it in the warmed oven.</p> <ol style="list-style-type: none"> 1. Press KEEP WARM. 2. Set temperature between 145°F (63°C) and 190°F (88°C) using the number keypads. The default temperature is 170°F (77°C). 3. Press START. 4. Press OFF when finished.
DELAY START	Delayed start	The DELAY START keypad is used to enter the starting time for an oven function with a delayed start.
COOK TIME	Cook time	<p>Cook Time allows the oven to be set to turn on at a certain time of day, cook for a set length of time, and/or shut off automatically. Delay start should not be used for foods such as breads and cakes because they may not bake properly.</p> <p>To set a Cook Time or a Delayed Cook Time, see “Cook Time” section.</p>
AQUALIFT SELF CLEAN	AquaLift™ self-clean cycle	See the “Clean Cycle” section.
CONTROL LOCK hold 3 sec. to lock	Oven control lockout	<p>No keypads will function with the controls locked.</p> <ol style="list-style-type: none"> 1. Check that the oven and the Timer are off. 2. Press and hold the “0” keypad for 3 seconds. 3. If enabled, a tone will sound, and “CONTROL LOCKED” will be displayed. 4. Repeat to unlock.
OPTIONS	Oven use functions	Enables you to personalize the audible tones and oven operation to suit your needs. See the “Oven Use” section.

COOKTOP USE

⚠️ WARNING



Fire Hazard

Do not let the burner flame extend beyond the edge of the pan.

Turn off all controls when not cooking.

Failure to follow these instructions can result in death or fire.

Electric igniters automatically light the surface burners when control knobs are turned to LITE.

Before setting a control knob, place filled cookware on the grate. Do not operate a burner using empty cookware or without cookware on the grate.

The flame should be adjusted so it does not extend beyond the edge of the pan.

To Set:

1. Push in and turn knob counterclockwise to LITE.
All surface burners will click. Only the burner with the control knob turned to LITE will produce a flame.
2. Turn knob to anywhere between HIGH and LOW.

REMEMBER: When range is in use, the entire cooktop area may become hot.

Ultra Power™ Burner Feature

The left front burner is designed to give maximum power when fully on. It can be used to rapidly bring liquid to a boil and to cook large quantities of food.

Even-Heat™ Simmer Burner Feature

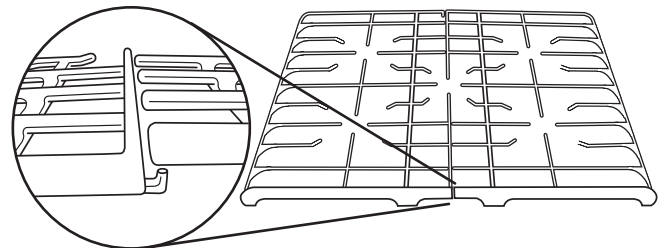
The Even-Heat™ Simmer Burner feature allows for more precise simmering and low temperature cooking. It is the right rear burner.

Power Failure

In case of prolonged power failure, the surface burners can be lit manually. Hold a lit match near a burner and turn knob counterclockwise to LITE. After burner lights, turn knob to desired setting.

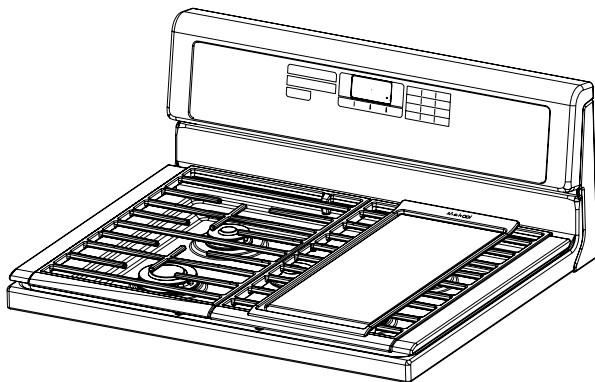
Grates

The grates on this range cover the full width of the cooktop. The two grates may interlock (on some models), using the hook formed into one end of both grates. The flat end of one grate drops onto the hook on the other grate as shown in the following illustration.



On some models, the two grates are identical and can be used on either the left or right side of the cooktop. Grates that are designed for use on only one side of the cooktop will have either "LEFT" or "RIGHT" embossed on the bottom side of the grate.

Griddle



Griddle installed on right side of cooktop

To Use the Griddle:

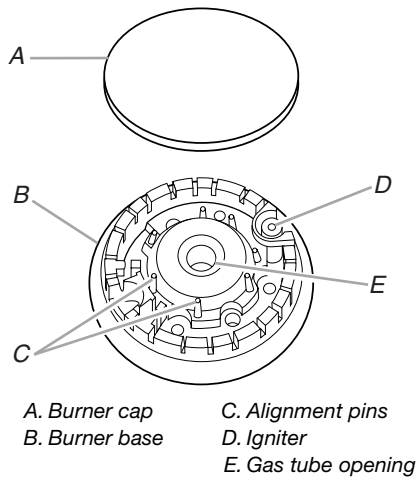
1. Locate the griddle on the right side grate as shown. The locating feet on the bottom of the griddle will engage the grate tines to keep the griddle from sliding.
2. Before each use, brush on a thin layer of cooking oil to keep food from sticking. Cooking sprays may leave a sticky residue on the griddle that is hard to remove.
3. Preheat the griddle for 5 minutes. Preheating the griddle slowly will ensure even heat distribution and will avoid warping the griddle.
4. For preheating and cooking, set the front burner to the lowest heat setting and the rear burner to medium-high heat for best performance.

NOTE: The griddle may also be used on the left side grate. For best results, the rear burner setting should be set to Medium-Low or Medium, and the front burner setting should be set to Low.

To Clean the Griddle:

1. Let the griddle cool, then empty the drip tray.
2. See the "General Cleaning" section for cleaning instructions.
3. Store griddle in a cool dry place.

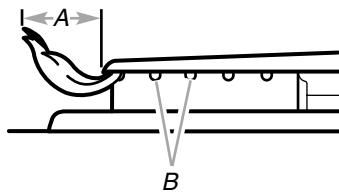
Sealed Surface Burners



IMPORTANT: Do not obstruct the flow of combustion and ventilation air around the burner grate edges.

Burner cap: Always keep the burner cap in place when using a surface burner. A clean burner cap will help avoid poor ignition and uneven flames. Always clean the burner cap after a spillover and routinely remove and clean the caps according to the "General Cleaning" section.

Gas tube opening: Gas must flow freely throughout the gas tube opening for the burner to light properly. Keep this area free of soil and do not allow spills, food, cleaning agents or any other material to enter the gas tube opening. Keep spillovers out of the gas tube by always using a burner cap.

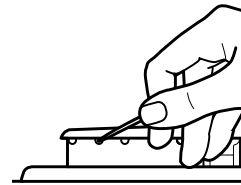


Burner ports: Check burner flames occasionally for proper size and shape as shown in the previous illustration. A good flame is blue in color, not yellow. Keep this area free of soil and do not allow spills, food, cleaning agents or any other material to enter the burner ports.

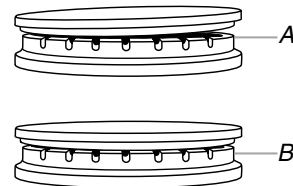
To Clean:

IMPORTANT: Before cleaning, make sure all controls are off and the oven and cooktop are cool. Do not use oven cleaners, bleach or rust removers.

1. Remove the burner cap from the burner base and clean according to "General Cleaning" section.
2. Clean the gas tube opening with a damp cloth.
3. Clean clogged burner ports with a straight pin as shown. Do not enlarge or distort the port. Do not use a wooden toothpick. If the burner needs to be adjusted, contact a trained repair specialist.



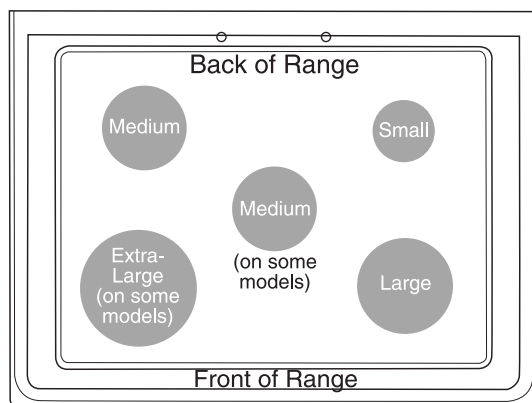
4. Replace the burner cap, making sure the alignment pins are properly aligned with the burner cap.



5. Turn on the burner. If the burner does not light, check cap alignment. If the burner still does not light, do not service the sealed burner yourself. Contact a trained repair specialist.

Burner Size

Select a burner that best fits your cookware. See the following illustration and chart.



Burner Size	Recommended Use
Small	■ Low-heat cooking
	■ Melting chocolate or butter
Medium	■ Multipurpose burner
Large	■ For large cookware
Extra-Large	■ Most powerful burner
	■ For large cookware

Cookware

IMPORTANT: Do not leave empty cookware on a hot surface cooking area, element or surface burner.

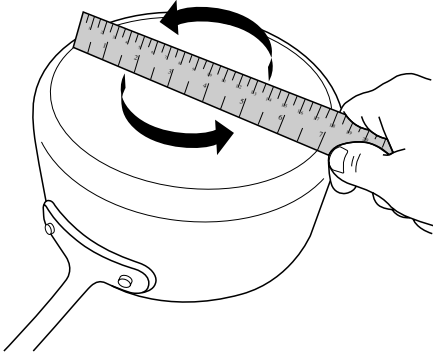
Ideal cookware should have a flat bottom, straight sides and a well-fitting lid, and the material should be of medium-to-heavy thickness.

Rough finishes may scratch the cooktop or grates. Aluminum and copper may be used as a core or base in cookware.

Cookware material is a factor in how quickly and evenly heat is transferred, which affects cooking results.

Cookware with nonstick surfaces should not be used under the broiler.

Check for flatness by placing the straight edge of a ruler across the bottom of the cookware. While you rotate the ruler, no space or light should be visible between it and the cookware.

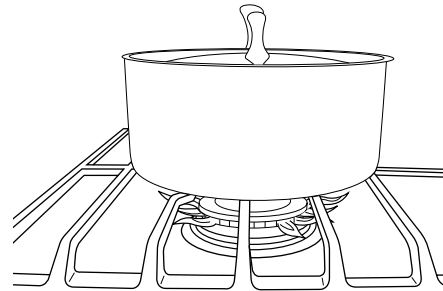


Use the following chart as a guide for cookware material characteristics.

COOKWARE	CHARACTERISTICS
Aluminum	<ul style="list-style-type: none"> ■ Heats quickly and evenly. ■ Suitable for all types of cooking. ■ Medium or heavy thickness is best for most cooking tasks.
Cast iron	<ul style="list-style-type: none"> ■ Heats slowly and evenly. ■ Good for browning and frying. ■ Maintains heat for slow cooking.

COOKWARE	CHARACTERISTICS
Ceramic or Ceramic glass	<ul style="list-style-type: none"> ■ Follow manufacturer's instructions. ■ Heats slowly, but unevenly. ■ Ideal results on low to medium heat settings.
Copper	<ul style="list-style-type: none"> ■ Heats very quickly and evenly. ■ May leave copper residues, which may be diminished if cleaned immediately after cooking.
Earthenware/ Stoneware	<ul style="list-style-type: none"> ■ Follow manufacturer's instructions. ■ Use on low heat settings.
Porcelain enamel-on-steel or cast iron	<ul style="list-style-type: none"> ■ See stainless steel or cast iron.
Stainless steel	<ul style="list-style-type: none"> ■ Heats quickly, but unevenly. ■ A core or base of aluminum or copper on stainless steel provides even heating.

For best results, the cookware should be centered above the burner with the bottom sitting level on the grate. The flame should be adjusted so that it does not extend up the sides of the pan.



Home Canning

When canning for long periods, alternate the use of surface burners between batches. This allows time for the most recently used areas to cool.

- Center the canner on the grate above the burner.

- Do not place canner on 2 surface burners at the same time.
- For more information, contact your local agricultural extension office, or refer to published home canning guides. Companies that manufacture home canning products can also offer assistance.

OVEN USE

The normal operation of the range will include several noises that may be heard each time the Bake or Broil burners ignite during the cooking cycle:

- gas valves may make a "popping" sound when opening or closing
- igniters will "click" several times until a flame is sensed
- a "poof" sound is heard when a Bake or Broil burner ignites

Odors and smoke are normal when the oven is used the first few times, or when it is heavily soiled.

IMPORTANT: The health of some birds is extremely sensitive to the fumes given off. Exposure to the fumes may result in death to certain birds. Always move birds to another closed and well-ventilated room.

Electronic Oven Controls

Control Display

The display will flash when powered up or after a power loss. Press OFF to clear. When oven is not in use, the time of day is displayed.

Tones

Tones are audible signals, indicating the following:

One tone

- Valid pad press
- Oven is preheated (long tone)
- Function has been entered
- Reminder (on some models), repeating each minute after the end-of-cycle tones

Three tones

- Invalid pad press

Four tones

- End of cycle

Use the Options key to change the tone settings.

Options

Many features of the oven control can be adjusted to meet your personal needs. These changes are made using the Options key.

Use the Options key to scroll through the features that can be changed. Each press of the Options key will advance the display to the next setting. After selecting the feature to be changed, the control will prompt you for the required input. After the setting is saved by pressing Start, the control will exit Options and display the time of day. Details of all of the feature changes are explained in the following sections.

Press OFF to exit Options.

Clock Time of Day

This clock can use a 12- or 24-hour cycle. To adjust, see "12/24 Hour Clock" in this section.

Check that the oven and Timer are off.

To Change Time of Day:

1. Press OPTIONS once. After 3 seconds, "SET CLOCK-PUSH START TO CHANGE" will be displayed.
2. Press START to display the current setting.
3. Press "3" for AM or "6" for PM.
4. Press the number keypads to set the time of day.
5. Press START.
6. Press OFF to exit.

Fahrenheit and Celsius

The temperature is preset at Fahrenheit, but can be changed to Celsius.

To change:

1. Press OPTIONS until "TEMP UNIT" is displayed.
2. Press START to display the current setting.
3. Press the "3" keypad to adjust the setting.
4. Press START to save the setting.
5. Press OFF to exit.

Audible Tones Disable

Turns off all tones, including the end of cycle tone and key press tones. Reminder tones are still active when all tones are disabled.

1. Press OPTIONS until "ALL SOUNDS" is displayed.
2. Press START to display the current setting.
3. Press the "3" keypad to adjust the setting.
4. Press START to save the setting.
5. Press OFF to exit.

Tone Pitch (Volume)

Sets the pitch of the tone to either high or low.

1. Press OPTIONS until "TONE PITCH" is displayed.
2. Press START to display the current setting.
3. Press the "3" keypad to adjust the setting.
4. Press START to save the setting.
5. Press OFF to exit.

End of Cycle Tone

Activates or turns off the tones that sound at the end of a cycle.

1. Press OPTIONS until "CYCLE TONE END" is displayed.
2. Press START to display the current setting.
3. Press the "3" keypad to adjust the setting.
4. Press START to save the setting.
5. Press OFF to exit.

Key Press Tones

Activates or turns off the tones when a keypad is pressed.

1. Press OPTIONS until "KEY PRESS TONE" is displayed.
2. Press START to display the current setting.
3. Press the "3" keypad to adjust the setting.
4. Press START to save the setting.
5. Press OFF to exit.

Reminder Tones Disable

Turns off the short repeating tone that sounds every 1 minute after the end of cycle tones.

1. Press OPTIONS until "REMINDER TONE" is displayed.
2. Press START to display the current setting.
3. Press the "3" keypad to adjust the setting.
4. Press START to save the setting.
5. Press OFF to exit.

12/24 Hour Clock

1. Press OPTIONS until "12/24 HR" is displayed.
2. Press START to display the current setting.
3. Press the "3" keypad to adjust the setting.
4. Press START to save the setting.
5. Press OFF to exit.

Demo Mode

IMPORTANT: This feature is intended for use on the sales floor with 120 V power connection and permits the control features to be demonstrated without heating elements or burners turning on. If this feature is activated, the oven will not work.

1. Press OPTIONS until "DEMO MODE" is displayed.
2. Press START to display the current setting.
3. Press the "3" keypad to adjust the setting.
4. Press START to save the setting.
5. Press OFF to exit.

12-Hour Shutoff

The oven control is set to automatically shut off the oven 12 hours after the oven initiates a cook or clean function. This will not interfere with any timed or delay cook functions.

1. Press OPTIONS until "12-HR SHUT-OFF" is displayed.
2. Press START to display the current setting.
3. Press the "3" keypad to adjust the setting.
4. Press START to save the setting.
5. Press OFF to exit.

Languages - Scrolling Display Text

Language options are English, Spanish and French.

1. Press OPTIONS until "LANGUAGE" is displayed.
2. Press START to display the current setting.
3. Press the "3" keypad to adjust the setting.
4. Press START to save the setting.
5. Press OFF to exit.

Sabbath Mode

The Sabbath Mode sets the oven to remain on in a bake setting until turned off.

When the Sabbath Mode is set, only the Bake cycle will operate. All other cooking and cleaning cycles are disabled. No tones will sound, and the displays will not indicate temperature changes.

When the oven door is opened or closed, the oven light will not turn on or off and the heating elements will not turn on or off immediately.

To Enable Sabbath Mode Capability (one time only):

1. Open oven door.
2. Press 7-8-9-6.
"SABBATH ON" or "SABBATH OFF" will appear in the display. If "SABBATH ON" is displayed, Sabbath Mode is enabled. Continue with Step 4. If "SABBATH OFF" is displayed, continue with Step 3.

3. Press START to change the displayed status.
4. Close oven door and press OFF. Sabbath Mode can be activated for baking.

NOTE: To disable the Sabbath Mode, repeat steps 1 - 4 to change the status from "SABBATH ON" to "SABBATH OFF."

Oven Temperature Offset Control

IMPORTANT: Do not use a thermometer to measure oven temperature because opening the oven door may cause element or burner cycling to give incorrect readings.

The oven provides accurate temperatures; however, it may cook faster or slower than your previous oven, so the temperature can be adjusted to personalize it for your cooking needs. It can be changed in Fahrenheit or Celsius.

To Adjust Oven Temperature:

1. Press OPTIONS until "TEMP OFFSET" is displayed.
2. Press START to display the current setting.
3. Press the "3" keypad to increase the temperature in 5°F (3°C) increments, or press the "6" keypad to decrease the temperature in 5°F (3°C) increments. The range is from -30°F to +30°F (-18°C to +18°C).
4. Press START to save the setting.
5. Press OFF to exit.

To Activate Sabbath Mode:

1. Press BAKE.
2. Press the number keypad to set a temperature other than 350°F (177°C).
3. Press START.

For timed cooking in Sabbath Mode, press COOK TIME, then the number keypad to set the desired cook time.

4. Press OPTIONS, then press "7." "Sab" will appear in the display.

To Adjust Temperature (when Sabbath Mode is running):

1. Press the number keypad as instructed by the scrolling text to select the new temperature.

NOTE: The temperature adjustment will not appear on the display. The scrolling text will be shown on the display as it was before the keypad was pressed.

2. Press START.

To Deactivate Sabbath Mode:

Press OPTIONS, then press "7" to return to regular baking or press OFF to turn off the range.

Aluminum Foil

IMPORTANT: To avoid permanent damage to the oven bottom finish, do not line the oven bottom with any type of foil or liner.

For best cooking results, do not cover entire oven rack with foil because air must be able to move freely.

Positioning Racks and Bakeware

IMPORTANT: To avoid permanent damage to the porcelain finish, do not place food or bakeware directly on the oven door or bottom.

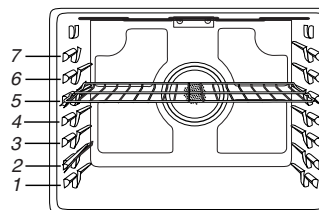
Bakeware

To cook food evenly, hot air must be able to circulate. Allow 2" (5 cm) of space around bakeware and oven walls. Make sure that no bakeware piece is directly over another.

Racks

- Position racks before turning on the oven.
- Do not move racks with bakeware on them.
- Make sure racks are level.

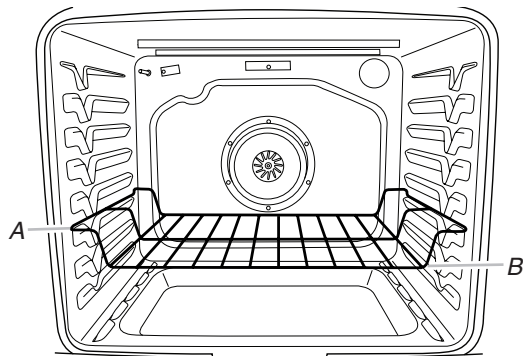
To move a rack, pull it out to the stop position, raise the front edge, and then lift out. Use the following illustration and charts as a guide.



The oven has 7 positions for a flat rack, as shown in the previous illustration and the following table.

Flat Rack Position*	Type of Food
7	Broiling/searing meats, hamburgers, steaks
6	Broiled meats, poultry, fish
3 or 4	Most baked goods, casseroles
2	Roasted meats
1	Large roasts or poultry

*If your model has a Max Capacity Rack, the recessed ends must be placed in the rack position above the desired position of the food. See the following illustration.



A. Ends of rack in position 3
B. Food in position 2

IMPORTANT: These rack positions are for flat racks. If a Max Capacity Rack is used, the rack position must be adjusted as shown in the previous figure.

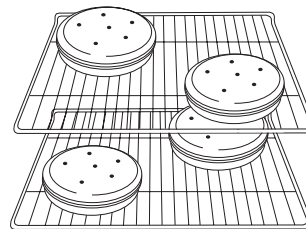
Multiple Rack Cooking

2-rack: Use rack positions 2 and 5 for regular or convection baking.

3-rack (True convection only): Use rack positions 2, 4 and 6.

Best Performance on 2 Racks

For best results when baking cakes on 2 racks, use racks 2 and 5 with the Bake function. Place the cakes on the racks as shown. For best results baking 2 racks of cookies, use racks 2 and 5 with the Bake function.

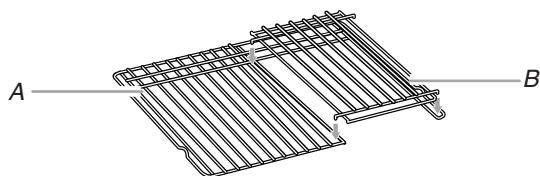


Split Oven Rack (on some models)

Split-Rack with Removable Insert

The split-rack with removable insert is a space maximizer. When the two are attached, they make a full rack. The insert can also be removed to provide room for large items such as a turkey and casseroles. Do not place more than 25 lbs (11.3 kg) on the split-rack.

The insert can also be used on the counter as a cooling rack.

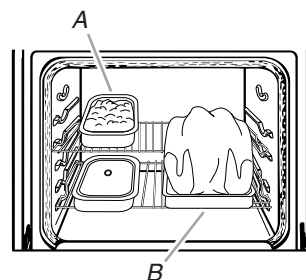


A. Split-rack
B. Removable insert

If you would like to purchase a split-oven rack, one may be ordered. See "Accessories" section to order.

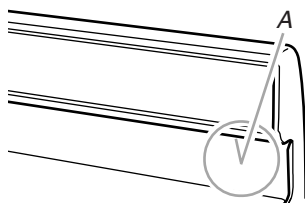
To Use Racks:

1. Place a full rack in the lower section of the oven and position the split-rack above it.
2. Place large items on the right side of the full rack.
3. Place deeper, covered dishes on the left side of the full rack.
4. Place shallow dishes on the split-rack.
5. When finished cooking, slowly remove items.



A. Place shallow dishes on the split-rack.
B. Large item placed on the right side of full-rack

Oven Vent



A. Oven vent

The oven vent releases hot air and moisture from the oven, and should not be blocked or covered. Blocking or covering the oven vent will cause poor air circulation, affecting cooking and cleaning results. Do not set plastics, paper or other items that could melt or burn near the oven vent.

Baking and Roasting

Temperature Management System

The oven control system electronically regulates the oven heat levels during preheat and bake to maintain a temperature range for optimal cooking results. The bake burner cycles on and off in intervals. On convection range models, the fan may run while preheating and may be cycled on and off for short intervals during baking to provide the best results. This feature is automatically activated when the oven is in use.

The convection fan will not be on during the first 5 minutes of the cycle.

Before baking and roasting, position racks according to “Positioning Racks and Bakeware” section. When roasting, it is not necessary to wait for the oven preheat cycle to end before putting food in unless it is recommended in the recipe.

Preheating

When START is pressed, “LO” will be displayed and the oven will begin preheating. Once 100°F (38°C) is reached, the display temperature will increase as the actual temperature of the oven increases. When the preheat temperature is reached, a tone will sound, and the selected temperature will appear on the display. The time necessary to preheat the oven to 350°F (177°C) will be approximately 15 minutes, depending on the model. Factors that have an impact on preheat times are: room temperature, starting oven temperature, quality of the gas supply, and the number of oven racks. Unused oven racks can be removed prior to preheating your oven to reduce preheat time.

Broiling

When broiling, preheat the oven for 5 minutes before putting food in unless recommended otherwise in the recipe. Position food on grid in a broiler pan, then place it in the center of the oven rack.

IMPORTANT: Close the door to ensure proper broiling temperature.

Changing the temperature when Custom Broiling allows more precise control when cooking. The lower the broil setting, the slower the cooking. Thicker cuts and unevenly shaped pieces of meat, fish and poultry may cook better at lower broil settings. Use racks 6 or 7 for broiling. Use rack position 6 if using the roll-out rack. Refer to the “Positioning Racks and Bakeware” section for more information.

- For best results, use a broiler pan and grid. It is designed to drain juices and help avoid spatter and smoke.

If you would like to purchase a broiler pan, one may be ordered. Please refer to the “Accessories” section for more information.

NOTE: Odors and smoke are normal the first few times the oven is used or if the oven is heavily soiled.

Convection Cooking

In a convection oven, the fan-circulated hot air continually distributes heat more evenly than the natural movement of air in a standard thermal oven. This movement of hot air helps maintain a consistent temperature throughout the oven, cooking foods more evenly, crisping surfaces while sealing in moisture and yielding crustier breads.

During convection cooking, the bake and broil burners, convection (true convection only) element and fan cycle on and off in intervals to maintain the oven temperature, while the fan circulates the hot air.

NOTE: The convection fan will turn on approximately 5 minutes into any convection cycle.

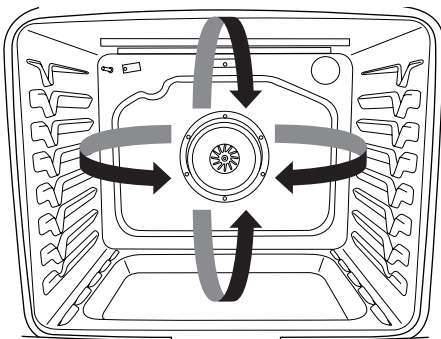
If the oven door is opened during convection cooking, the fan will turn off immediately. It will come back on when the oven door is closed.

NOTE: The oven door must be closed for convection broiling.

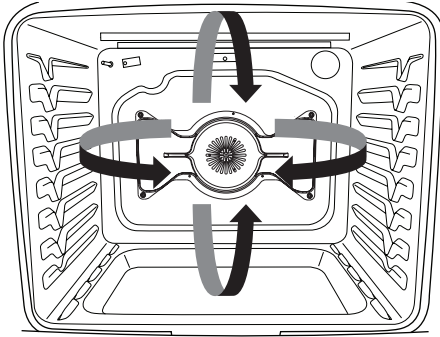
Position the racks according to the “Positioning Racks and Bakeware” section before starting convection cooking.

With convection cooking, most foods can be cooked at a lower temperature or at a shorter time. These adjustments can be made using the following chart or by using the EasyConvect™ Conversion feature on your range.

SETTING	GUIDELINES
CONVECT BAKE	Reduce the standard baking temperature 25°F (15°C)
CONVECT ROAST	Use standard recipe temperature. Cooking time may be reduced by 15-30% with Convect Roast so the food should be checked for doneness early.
CONVECT BROIL	Use standard recipe temperature. Cooking time may be reduced so the food should be checked for doneness early.



Bow Tie True Convection with T.H.E.™



True convection adds an electric element around the convection fan to enhance the cooking performance. This feature enables three-rack baking in your range. Use the following Convection Options chart as a guide.

Convection Options

SETTING	FOODS
CONVECT BAKE	Single or multiple-rack baking for cookies, biscuits, breads, casseroles, tarts, or tortes.
CONVECT BROIL	Thicker cuts or unevenly shaped pieces of meat, fish or poultry.
CONVECT ROAST	Whole chicken or turkey, vegetables, pork roasts, or beef roasts.

EasyConvect™ Conversion

Convection cooking temperatures and times can differ from those of standard cooking. Depending upon the selected category, EasyConvect™ conversion automatically reduces the standard recipe temperature and/or time you input for convection cooking.

Foods are grouped into 4 general categories. Choose the category most appropriate for the food to be cooked. Use the following chart as a guide.

SETTING	FOODS
MEATS	Chicken: whole and pieces Meat loaf, Roasts: pork, beef and ham (Turkey and large poultry are not included because their cook time varies.)
BAKED GOODS	Biscuits, Breads: quick and yeast Cakes and Cookies Casseroles
PIZZA	Fresh pizza, Frozen pizza
OTHER	Frozen convenience foods: french fries, nuggets, fish sticks, lasagna

To Use:

NOTE: For best results, preheat your oven to the desired temperature prior to using Easy Convect™ Conversion. After preheating is complete, press the OFF key before using EasyConvect™ Conversion.

1. Press the EASY CONVECT pad for the desired option (MEATS, BAKED GOODS, PIZZA or OTHER).
2. Press number pads to enter standard cook temperature then press START.
3. Press number pads to enter standard cook time then press START.
4. Place the food in the oven.
Check food for doneness before the stop time is reached. If food will not be done when the stop time is reached, add more cooking time before time elapses (see "Cook Time" section). At the end of the stop time, the oven will automatically turn off.
5. Press OFF when finished.
6. Remove food from the oven.

Cook Time

⚠ WARNING

Food Poisoning Hazard

Do not let food sit in oven more than one hour before or after cooking.

Doing so can result in food poisoning or sickness.

To Set a Timed Cook:

1. Press BAKE, CONVECT BAKE, or CONVECT ROAST.
2. Press the number keypads to enter a temperature other than the one displayed.
3. Press COOK TIME. The cook time oven indicator light will light up.
4. Press the number keypads to enter the length of time to cook.
5. Press START. The display will count down the time. When the time ends, the oven will shut off automatically.
The temperature and/or time setting can be changed at any time by repeating steps 2 - 3.
6. Press OFF to clear the display.

NOTE: The time setting for any timed cooking function, including EasyConvect™ Conversion, can be adjusted by following the previous steps 3 - 5.

To Set a Delayed Timed Cook:

1. Press BAKE, CONVECT BAKE, or CONVECT ROAST.
2. Press the number keypads to enter a temperature other than the one displayed.
3. Press COOK TIME. The cook time oven indicator light will light up.
4. Press number keypads to enter the length of time to cook.
5. Press DELAY START. The start time/delay oven indicator light will light up.
6. Press number keypads to enter the number of hours and/or minutes you want to delay the start time.
7. Press START.
When the start time is reached, the oven will automatically turn on. The temperature and/or time settings can be changed any time after pressing Start by repeating steps 2 - 7. When resetting the time and temperature, it is necessary to press Start between steps 4 and 5 to continue making changes.
When the set cook time ends, the oven will shut off automatically.
8. Press OFF to clear the display.

Proofing Bread

Proofing bread prepares the dough for baking by activating the yeast. Follow the recipe directions as a guide. Standard Proof should be used for fresh dough, thawed dough, and for the first and second rise. Rapid Proof (on some models) operates at a slightly higher temperature than Standard Proof, and it can be used for the second rise of formed dough.

To Proof:

Before first proofing, place the dough in a lightly greased bowl and cover loosely with wax paper, coated with shortening. Place on rack guide 2 and close the oven door.

NOTE: If the temperature of the oven is greater than 100°F (38°C), “oven cooling” will be displayed until the temperature is less than 100°F (38°C).

1. Press BREAD PROOF until the desired proof is displayed (“Stdndr Proof” or “Rapid Proof”). Rapid Bread Proofing is available only on some models.
2. Press START.
Let the dough rise until nearly doubled in size. Proofing time may vary depending on dough type and quantity.
3. Press OFF when finished proofing.

Before second proofing, shape the dough, place it in baking pan(s) and cover loosely. Follow the same placement and control steps above. Before baking, remove the cover.

NOTE: If the oven temperature is greater than 100°F (38°C), the display will indicate “oven cooling” until the temperature is below 100°F (38°C).

RANGE CARE

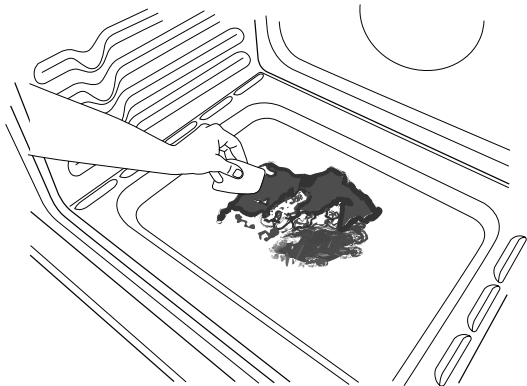


AquaLift™ Technology is an innovative cleaning solution that utilizes heat and water to release baked-on spills from the oven in less than 1 hour. This new cleaning technology is a low-heat, odor-free alternative to traditional self-cleaning options.

Allow the oven to cool to room temperature before using the Clean cycle. If your oven cavity is above 200°F (93°C), “OVEN COOLING” will appear in the display, and the Clean cycle will not be activated until the oven cavity cools down.

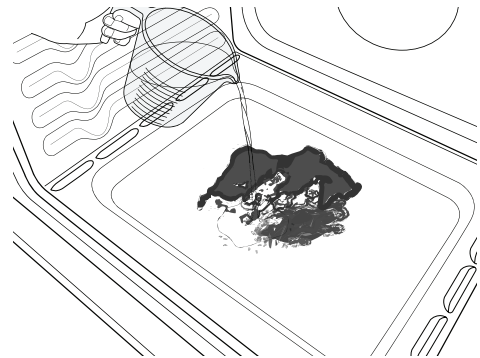
To Clean:

1. Remove all racks and accessories from the oven cavity and wipe excess soil. Use a plastic scraper to remove easily-removed soils.



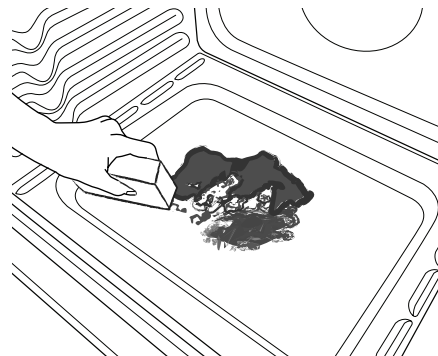
Clean Cycle

2. Pour 1¾ cups (14 oz [414 mL]) of distilled or filtered water onto the bottom of the empty oven and close the oven door.



IMPORTANT: Do not use chemicals or other additives with the water. Do not open the oven door during the Clean cycle. The water on the oven bottom is hot.

3. Press AQUALIFT SELF CLEAN and then START on the oven control panel.
4. Allow 40 minutes for cleaning and cool down. A beep will sound when the Clean cycle is complete.
5. Press OFF at the end of the cycle. OFF may be pressed at any time to stop the Clean cycle.
6. Remove the residual water and loosened soils with a sponge or cloth immediately after the Clean cycle is complete. Much of the initial 1¾ cups (14 oz [414 mL]) of water will remain in the oven after the cycle is completed. If additional soils remain, leave a small amount of water in the oven bottom to assist with the cleaning.



- If any soils remain, remove them with a non-scratch scrubbing sponge or plastic scraper. Additional Clean cycles may be run to help remove the stubborn soils.

IMPORTANT: Do not use oven cleaners. The use of chemicals, including commercial oven cleaners or metal scouring pads, may cause permanent damage to the porcelain surface of the oven interior.

NOTES:

- The range should be level to ensure that the entire surface of the bottom of the oven cavity is covered by water at the beginning of the Clean cycle.
- For best results, use distilled or filtered water. Tap water may leave mineral deposits on the oven bottom.
- Before removing the residual water and loosened soils at the end of the Clean cycle, insert a cloth or paper towel between the lower edge of the oven door and the front frame to keep water from spilling onto the front of the range and the floor.

- Soil baked on through several cooking cycles will be more difficult to remove with the Clean cycle.
- Nonabrasive scrub sponges or eraser style cleaning pads (without cleaners) can be effective for cleaning the oven cavity walls, oven door and oven bottom for difficult soils. For best results, moisten the pads and sponges before use.
- Run an additional Clean cycle for stubborn soils.
- affresh™ Kitchen and Appliance Cleaner and affresh™ Cooktop Cleaner may be used to clean the oven bottom, walls and door when the oven has finished the cycle and returned to room temperature. If affresh™ Cooktop Cleaner is used, it is recommended to wipe out the cavity with distilled water as well. Refer to the “Accessories” section for information on ordering.
- Additional AquaLift™ Technology Cleaning Kits may be obtained by ordering Part Number W10423113RP. See the “Accessories” section for more information.
- For assistance with AquaLift™ Technology, call 1-877-258-0808, or visit our website at <http://whr.pl/aqualift>.

General Cleaning

IMPORTANT: Before cleaning, make sure all controls are off and the oven and cooktop are cool. Always follow label instructions on cleaning products. For additional information, you can visit the Frequently Asked Questions section of our website at www.kitchenaid.com. In Canada, reference the Customer Service section at www.kitchenaid.ca.

Soap, water and a soft cloth or sponge are suggested first unless otherwise noted.

EXTERIOR PORCELAIN ENAMEL SURFACES (on some models)

Food spills containing acids, such as vinegar and tomato, should be cleaned as soon as the entire range is cool. These spills may affect the finish.

Cleaning Method:

- Glass cleaner, mild liquid cleaner or nonabrasive scrubbing pad:
Gently clean around the model and serial number plate because scrubbing may remove numbers.
- affresh™ Kitchen and Appliance Cleaner Part Number W10355010 (not included):
See “Accessories” section for more information.

STAINLESS STEEL (on some models)

NOTE: To avoid damage to stainless steel surfaces, do not use soap-filled scouring pads, abrasive cleaners, Cooktop Cleaner, steel-wool pads, gritty washcloths or abrasive paper towels. Damage may occur to stainless steel surfaces, even with one-time or limited use.

Cleaning Method:

Rub in direction of grain to avoid damaging.

- affresh™ Stainless Steel Cleaner Part Number W10355016 (not included):
See “Accessories” section for more information.

Liquid detergent or all-purpose cleaner:
Rinse with clean water and dry with soft, lint-free cloth.

METALLIC PAINT (on some models)

Do not use abrasive cleaners, cleaners with bleach, rust removers, ammonia or sodium hydroxide (lye) because paint surface may stain.

PORCELAIN-COATED GRATES AND CAPS

Food spills containing acids, such as vinegar and tomato, should be cleaned as soon as the cooktop, grates and caps are cool. These spills may affect the finish.

To avoid chipping, do not bang grates and caps against each other or hard surfaces such as cast iron cookware.

Do not reassemble caps on burners while wet.

Cleaning Method:

- Nonabrasive plastic scrubbing pad and mildly abrasive cleanser:
Clean as soon as cooktop, grates and caps are cool.
- Dishwasher (grates only, not caps):
Use the most aggressive cycle. Cooked-on soils should be soaked or scrubbed before going into a dishwasher.
- Gas Grate and Drip Pan Cleaner Part Number 31617A:
See “Accessories” section for more information.

SURFACE BURNERS

- See “Sealed Surface Burners” section.

COOKTOP CONTROLS

To avoid damage to the cooktop controls, do not use steel wool, abrasive cleansers or oven cleaner.

To avoid damage, do not soak knobs. When replacing knobs, make sure knobs are in the OFF position.

On some models, do not remove seals under knobs.

Cleaning Method:

- Soap and water:
Pull knobs straight away from control panel to remove.

GRIDDLE

To avoid damaging the nonstick surface, do not clean the griddle in the dishwasher, or use steel wool and abrasive cleaners.

Cleaning method:

- Mild detergent

CONTROL PANEL AND OVEN DOOR EXTERIOR

To avoid damage to the control panel, do not use abrasive cleaners, steel-wool pads, gritty washcloths or abrasive paper towels.

Cleaning Method:

- Glass cleaner and soft cloth or sponge:
Apply glass cleaner to soft cloth or sponge, not directly on panel.
- affresh™ Kitchen and Appliance Cleaner Part Number W10355010 (not included):
See “Accessories” section for more information.

OVEN RACKS

Cleaning Method:

- Steel-wool pad
- For racks that have discolored and are harder to slide, a light coating of vegetable oil applied to the rack guides will help them slide.

STORAGE DRAWER OR WARMING DRAWER (on some models)

Check that storage or warming drawer is cool and empty before cleaning.

Cleaning Method:

- Mild detergent
-

OVEN CAVITY

Use AquaLift™ Technology regularly to clean oven spills.

Do not use oven cleaners.

Food spills should be cleaned when oven cools. At high temperatures, foods react with porcelain and staining, etching, pitting or faint white spots can result.

Cleaning Method:

- Clean cycle: See “Clean Cycle” section.
-

Oven Light

The oven light is a standard 40-watt appliance bulb. Before replacing, make sure the oven and cooktop are cool and the control knobs are in the off position.

To Replace:

1. Unplug range or disconnect power.

2. Turn the glass bulb cover in the back of the oven counterclockwise to remove.
 3. Turn bulb counterclockwise to remove from socket.
 4. Replace bulb, then bulb cover by turning clockwise.
 5. Plug in range or reconnect power.
-


TROUBLESHOOTING

First try the solutions suggested here or visit our website and reference FAQs (Frequently Asked Questions) to possibly avoid the cost of a service call.

www.kitchenaid.com

In Canada, reference the Customer Service section at www.kitchenaid.ca.

⚠ WARNING



Electrical Shock Hazard

Plug into a grounded 3 prong outlet.
Do not remove ground prong.
Do not use an adapter.
Do not use an extension cord.

Failure to follow these instructions can result in death, fire, or electrical shock.

PROBLEM	POSSIBLE CAUSES	SOLUTIONS
Nothing will operate	Power supply cord is unplugged.	Plug into a grounded 3 prong outlet.
	Household fuse is blown or a circuit breaker is tripped.	Replace the fuse or reset the circuit breaker. If the problem continues, call an electrician.
	Main or regulator gas shutoff valve is in the off position.	See the Installation Instructions.
	The range is improperly connected to the gas supply.	Contact a trained repair specialist or see Installation Instructions.
Surface burners will not operate	The control knob is not set correctly.	Push in knob before turning to a setting.
	Air in the gas lines	If this is the first time the surface burners have been used, turn on any one of the surface burner knobs to release air from the gas lines.
	Clogged burner ports	See “Sealed Surface Burners” section.

PROBLEM	POSSIBLE CAUSES	SOLUTIONS
Surface burner flames are uneven, yellow and/or noisy	Clogged burner ports	See “Sealed Surface Burners” section.
	Burner caps positioned improperly	See “Sealed Surface Burners” section.
	Range converted improperly	If propane gas is being used, contact a service technician or see cover for contact information.
Excessive heat around cookware on cooktop	Cookware that is not the proper size	The cookware should be centered above the burner with the bottom sitting level on the grate. The flame should be adjusted so that it does not extend up the sides of the pan.
Cooktop cooking results not what expected	Improper cookware	Ideal cookware should have a flat bottom, straight sides and a well fitting lid, and the material should be of a medium to heavy thickness.
	Control knob set to incorrect heat level	See “Cooktop Use” section.
	Range is not level	Level the range. See the Installation Instructions.
Oven will not operate	Air in the gas lines	If this is the first time the oven has been used, turn on any one of the surface burner knobs to release air from the gas lines.
	Electronic oven control set incorrectly	See “Electronic Oven Controls” section.
	Control is locked.	Press and hold the “0” key for 3 seconds.
	The range is in Demo Mode.	Demo Mode will deactivate all heating elements. See “Demo Mode” in the “Electronic Oven Controls” section.
Convention fan not turning on.	The convection cycle is in the first 5 minutes of operation.	This is normal. The convection fan will start running approximately 5 minutes into the cycle.
	Oven door is open.	If the oven door is opened during convention cooking, the fan will turn off immediately. It will come back on when the oven door is closed.
Oven burner flames are yellow or noisy	Range converted improperly	If propane gas is being used, contact a service technician or see cover for contact information.
Oven temperature too high or too low	Oven temperature is calibrated incorrectly.	See “Oven Temperature Control” in the “Electronic Oven Controls” section.
Display shows messages	Power failure (display shows flashing time)	Clear the display. On some models, reset the clock, if needed. See “Clock” keypad feature in the “Feature Guide” section.
	Error code (display shows letter followed by number)	Press OFF to clear the display. See “Control Display” in the “Electronic Oven Controls” section. If it reappears, call for service. See cover for contact information.
	Start needs to be pressed so a cycle can begin (display shows “PRESS START”).	See the “Start” keypad feature in the “Feature Guide” section.
Mineral deposits are left on the oven bottom after the Clean cycle	Tap water was used in the Clean cycle.	Use distilled or filtered water in the Clean cycle. To remove deposits, use a cloth soaked with vinegar. Then use a cloth dampened with water to thoroughly remove any vinegar residue.
	Range is not level.	Mineral deposits will collect on dry areas of the oven bottom during the Clean cycle. Level the range. See the Installation Instructions. To remove deposits, use a cloth soaked with vinegar. Then use a cloth dampened with water to thoroughly remove any vinegar residue.

PROBLEM	POSSIBLE CAUSES	SOLUTIONS
Oven cooking results not what expected	Range is not level.	Level the range. See the Installation Instructions.
	The temperature set was incorrect.	Double-check the recipe in a reliable cookbook.
	Oven temperature is calibrated incorrectly.	See “Oven Temperature Control” in the “Electronic Oven Controls” section.
	Oven was not preheated.	See “Baking and Roasting” section.
	Racks were positioned improperly.	See “Positioning Racks and Bakeware” section.
	Not enough air circulation around bakeware	See “Positioning Racks and Bakeware” section.
	Darker browning of food caused by dull or dark bakeware	Lower oven temperature 25°F (15°C) or move rack to a higher position in the oven.
	Lighter browning of food caused by shiny or light colored bakeware	Move rack to a lower position in the oven.
	Batter distributed unevenly in pan	Check that batter is level in the pan. Level the range if necessary. See the Installation Instructions.
	Incorrect length of cooking time was used.	Adjust cooking time.
	Oven door was not closed.	Be sure that the bakeware does not keep the door from closing.
	Oven door was opened during cooking.	Oven peeking releases oven heat and can result in longer cooking times.
	Rack is too close to bake burner, making baked items too brown on bottom.	Move rack to higher position in the oven.
Pie crusts browning too quickly	Use aluminum foil to cover the edge of the crust and/or reduce baking temperature.	

Noises

PROBLEM	POSSIBLE CAUSES	SOLUTIONS
Surface burner making popping noises	Wet burner	Allow it to dry.
Gas range noises during Bake and Broil operations The following are some normal sounds with the explanations.	These sounds are normal operational noises that can be heard each time the Bake or Broil burners ignite during the cycle.	
Pop	Gas valve is opening or cycling on and will make a single pop when it snaps open from the solenoid. It sounds similar to a suction cup being pulled off of a piece of glass.	This is normal.
Click	The igniters will click several times until the flame is detected. These are short clicking sounds like tapping a nail onto a piece of glass.	This is normal.
	Convection fan relay is cycling on and off (on some models).	This is normal.
Woosh or poof	Bake or Broil burner is igniting.	This is normal.
Oven burner flames are yellow or noisy	Range converted improperly	If propane gas is being used, contact a service technician or see cover for contact information.

ACCESSORIES

For accessories, you can visit our website at www.kitchenaid.com/cookingaccessories.

affresh™ Stainless Steel Cleaner

(stainless steel models)
Order Part Number W10355016

affresh™ Stainless Steel Cleaning Wipes

(stainless steel models)
Order Part Number W10355049

affresh™ Kitchen and Appliance Cleaner

Order Part Number W10355010

affresh™ Cooktop Cleaner

Order Part Number W10355051

AquaLift™ Technology Oven Cleaning Kit

Order Part Number W10423113RP

Granite Cleaner and Polish

Order Part Number W10275756

Gas Grate and Drip Pan Cleaner

Order Part Number 31617A

Split Oven Rack

Order Part Number W10205524

Max Capacity Rack

Order Part Number W10289145

Porcelain Broiler Pan and Grid

Order Part Number 4396923

Premium Broiler Pan and Roasting Rack

Order Part Number W10123240
www.kitchenaid.com/broilerpan

KITCHENAID® GAS RANGE WARRANTY

LIMITED WARRANTY

For one year from the date of purchase, when this major appliance is operated and maintained according to instructions attached to or furnished with the product, KitchenAid brand of Whirlpool Corporation or Whirlpool Canada LP (hereafter "KitchenAid") will pay for Factory Specified Parts and repair labor to correct defects in materials or workmanship. Service must be provided by a KitchenAid designated service company. This limited warranty is valid only in the United States or Canada and applies only when the major appliance is used in the country in which it was purchased. Outside the 50 United States and Canada, this limited warranty does not apply. Proof of original purchase date is required to obtain service under this limited warranty.

SECOND THROUGH FIFTH YEAR LIMITED WARRANTY ON CERTAIN COMPONENT PARTS

In the second through fifth years from the date of purchase, when this appliance is operated and maintained according to instructions attached to or furnished with the product, KitchenAid will pay for Factory Specified Parts for the following components if defective in materials or workmanship:

- Any gas burner
- Solid state touch control system parts

ITEMS EXCLUDED FROM WARRANTY

This limited warranty does not cover:

1. Service calls to correct the installation of your major appliance, to instruct you on how to use your major appliance, to replace or repair house fuses, or to correct house wiring or plumbing.
2. Service calls to repair or replace appliance light bulbs, air filters or water filters. Consumable parts are excluded from warranty coverage.
3. Repairs when your major appliance is used for other than normal, single-family household use or when it is used in a manner that is contrary to published user or operator instructions and/or installation instructions.
4. Damage resulting from accident, alteration, misuse, abuse, fire, flood, acts of God, improper installation, installation not in accordance with electrical or plumbing codes, or use of consumables or cleaning products not approved by KitchenAid.
5. Cosmetic damage, including scratches, dents, chips or other damage to the finish of your major appliance, unless such damage results from defects in materials or workmanship and is reported to KitchenAid within 30 days from the date of purchase.
6. Costs associated with the removal from your home of your major appliance for repairs. This major appliance is designed to be repaired in the home and only in-home service is covered by this warranty.
7. Repairs to parts or systems resulting from unauthorized modifications made to the appliance.
8. Expenses for travel and transportation for product service if your major appliance is located in a remote area where service by an authorized KitchenAid servicer is not available.
9. The removal and reinstallation of your major appliance if it is installed in an inaccessible location or is not installed in accordance with published installation instructions.
10. Major appliances with original model/serial numbers that have been removed, altered or cannot be easily determined. This warranty is void if the factory applied serial number has been altered or removed from your major appliance.

The cost of repair or replacement under these excluded circumstances shall be borne by the customer.

DISCLAIMER OF IMPLIED WARRANTIES; LIMITATION OF REMEDIES

CUSTOMER'S SOLE AND EXCLUSIVE REMEDY UNDER THIS LIMITED WARRANTY SHALL BE PRODUCT REPAIR AS PROVIDED HEREIN. IMPLIED WARRANTIES, INCLUDING WARRANTIES OF MERCHANTABILITY OR FITNESS FOR A PARTICULAR PURPOSE, ARE LIMITED TO ONE YEAR OR THE SHORTEST PERIOD ALLOWED BY LAW. KITCHENAID SHALL NOT BE LIABLE FOR INCIDENTAL OR CONSEQUENTIAL DAMAGES. SOME STATES AND PROVINCES DO NOT ALLOW THE EXCLUSION OR LIMITATION OF INCIDENTAL OR CONSEQUENTIAL DAMAGES, OR LIMITATIONS ON THE DURATION OF IMPLIED WARRANTIES OF MERCHANTABILITY OR FITNESS, SO THESE EXCLUSIONS OR LIMITATIONS MAY NOT APPLY TO YOU. THIS WARRANTY GIVES YOU SPECIFIC LEGAL RIGHTS, AND YOU MAY ALSO HAVE OTHER RIGHTS WHICH VARY FROM STATE TO STATE OR PROVINCE TO PROVINCE.

If outside the 50 United States and Canada, contact your authorized KitchenAid dealer to determine if another warranty applies. 9/07

For additional product information, in the U.S.A., visit www.kitchenaid.com
In Canada, visit www.kitchenaid.ca

If you do not have access to the Internet and you need assistance using your product or you would like to schedule service, you may contact Whirlpool at the number below.

Have your complete model number ready. You can find your model number and serial number on the label, located on the oven frame behind the top right side of the oven door.

For assistance or service in the U.S.A., call 1-800-422-1230. In Canada, call 1-800-807-6777.

If you need further assistance, you can write to Whirlpool with any questions or concerns at the address below:

In the U.S.A.:

KitchenAid Brand Home Appliances
Customer eXperience Center
553 Benson Road
Benton Harbor, MI 49022-2692

In Canada:

Customer eXperience Centre
KitchenAid Canada
200 - 6750 Century Ave.
Mississauga, Ontario L5N 0B7

Please include a daytime phone number in your correspondence.

Please keep this User Instructions and model number information for future reference.

MERCI d'avoir acheté ce produit de grande qualité. Si vous rencontrez un problème non abordé à la section DÉPANNAGE, veuillez visiter notre site Web à www.kitchenaid.ca pour obtenir des informations supplémentaires. Si vous avez toujours besoin d'aide, composez le 1-800-807-6777.

Vous aurez besoin des numéros de modèle et de série situés sur le châssis du four, derrière la partie supérieure droite de la porte du four.

Table des matières

SÉCURITÉ DE LA CUISINIÈRE	22
La bride antibasculement.....	23
GUIDE DES CARACTÉRISTIQUES	25
UTILISATION DE LA TABLE DE CUISSON	27
Grilles.....	27
Plaque à frire	28
Brûleurs de surface scellés	28
Taille du brûleur	29
Ustensiles de cuisson	29
Mise en conserve à la maison.....	30
UTILISATION DU FOUR	30
Commandes électroniques du four	30
Mode Sabbat.....	32
Papier d'aluminium.....	32
Positionnement des grilles et des ustensiles de cuisson au four.....	32
Grille de four en deux pièces (sur certains modèles).....	33
Évent du four	33
Cuisson au four et rôtissage	34
Cuisson au gril.....	34
Cuisson par convection	34
Conversion EasyConvect™	35
Durée de cuisson.....	36
Levée du pain	36
ENTRETIEN DE LA CUISINIÈRE	37
Programme de nettoyage	37
Nettoyage général	38
Lampe du four	39
DÉPANNAGE	39
ACCESSOIRES	42
GARANTIE	43

SÉCURITÉ DE LA CUISINIÈRE

Votre sécurité et celle des autres est très importante.

Nous donnons de nombreux messages de sécurité importants dans ce manuel et sur votre appareil ménager. Assurez-vous de toujours lire tous les messages de sécurité et de vous y conformer.



Voici le symbole d'alerte de sécurité.

Ce symbole d'alerte de sécurité vous signale les dangers potentiels de décès et de blessures graves à vous et à d'autres.

Tous les messages de sécurité suivront le symbole d'alerte de sécurité et le mot "DANGER" ou "AVERTISSEMENT". Ces mots signifient :

! DANGER

Risque possible de décès ou de blessure grave si vous ne suivez pas immédiatement les instructions.

! AVERTISSEMENT

Risque possible de décès ou de blessure grave si vous ne suivez pas les instructions.

Tous les messages de sécurité vous diront quel est le danger potentiel et vous disent comment réduire le risque de blessure et ce qui peut se produire en cas de non-respect des instructions.

AVERTISSEMENT : Si les renseignements dans ce manuel ne sont pas exactement observés, un incendie ou une explosion peut survenir, causant des dommages au produit, des blessures ou un décès.

- Ne pas entreposer ni utiliser de l'essence ou d'autres vapeurs ou liquides inflammables à proximité de cet appareil ou de tout autre appareil électroménager.
- **QUE FAIRE DANS LE CAS D'UNE ODEUR DE GAZ :**
 - Ne pas tenter d'allumer un appareil.
 - Ne pas toucher à un commutateur électrique.
 - Ne pas utiliser le téléphone se trouvant sur les lieux.
 - Appeler immédiatement le fournisseur de gaz à partir du téléphone d'un voisin. Suivre ses instructions.
 - À défaut de joindre votre fournisseur de gaz, appeler les pompiers.
- L'installation et l'entretien doivent être effectués par un installateur qualifié, une agence de service ou le fournisseur de gaz.

AVERTISSEMENT : L'odorat ne permet pas toujours la détection d'une fuite de gaz.

Les distributeurs de gaz recommandent l'emploi d'un détecteur de gaz (homologation UL ou CSA).

Pour d'autre information, contacter le fournisseur de gaz local.

En cas de détection d'une fuite de gaz, exécuter les instructions "Que faire dans le cas d'une odeur de gaz".

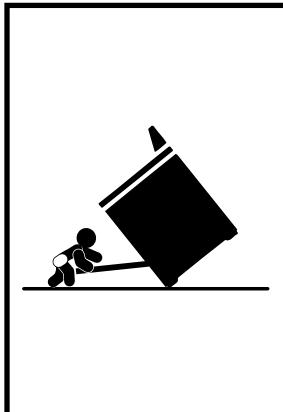
Avertissements de la proposition 65 de l'État de Californie :

AVERTISSEMENT : Ce produit contient au moins un produit chimique connu par l'État de Californie pour être à l'origine de cancers.

AVERTISSEMENT : Ce produit contient au moins un produit chimique connu par l'État de Californie pour être à l'origine de malformations et autres déficiences de naissance.

La bride antibasculement

Dans des conditions de service normales, la cuisinière ne bascule pas. Elle peut cependant basculer si une force ou un poids excessif est appliqué sur la porte ouverte alors que la bride antibasculement n'est pas convenablement fixée.



⚠ AVERTISSEMENT

Risque de basculement

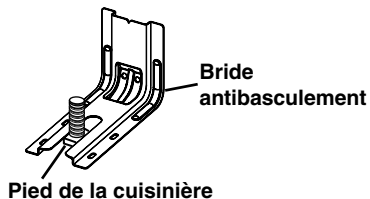
Un enfant ou une personne adulte peut faire basculer la cuisinière, ce qui peut causer un décès.

Vérifier que la bride antibasculement est bien installée et engagée, conformément aux instructions d'installation.

Réengager la bride antibasculement si la cuisinière a été déplacée.

Ne pas faire fonctionner la cuisinière si la bride antibasculement n'est pas installée et engagée.

Le non-respect de ces instructions peut causer un décès ou des brûlures graves aux enfants et aux adultes.



Pour vérifier que la bride antibasculement est bien installée et engagée :

- **Faire glisser la cuisinière vers l'avant.**
- **Vérifier que la bride antibasculement est bien fixée au plancher ou au mur.**
- **Faire de nouveau glisser la cuisinière vers l'arrière de sorte que le pied de la cuisinière se trouve sous la bride antibasculement.**
- **Voir les instructions d'installation pour plus de détails.**

IMPORTANTES INSTRUCTIONS DE SÉCURITÉ

AVERTISSEMENT : Pour réduire le risque d'incendie, de choc électrique, de blessures ou de dommages lors de l'utilisation de la cuisinière, il convient d'observer certaines précautions élémentaires dont les suivantes :

- **AVERTISSEMENT :** POUR MINIMISER LE RISQUE DE BASCULEMENT DE LA CUISINIÈRE, ELLE DOIT ÊTRE BIEN IMMOBILISÉE PAR DES DISPOSITIFS ANTIBASCULEMENT CORRECTEMENT INSTALLÉS. POUR VÉRIFIER SI LES DISPOSITIFS SONT CORRECTEMENT INSTALLÉS, GLISSER LA CUISINIÈRE VERS L'AVANT ET VÉRIFIER SI LA BRIDE ANTIBASCULEMENT EST BIEN FIXÉE AU PLANCHER OU AU MUR, ET GLISSER LA CUISINIÈRE VERS L'ARRIÈRE POUR QUE LE PIED ARRIÈRE DE LA CUISINIÈRE SOIT SOUS LA BRIDE ANTIBASCULEMENT.
- **AVERTISSEMENT :** NE JAMAIS utiliser cet appareil comme dispositif de chauffage de la pièce. Le non-respect de cette instruction peut entraîner une intoxication au monoxyde de carbone et une surchauffe du four.
- **AVERTISSEMENT :** NE JAMAIS couvrir les fentes, trous ou passages d'air au fond du four ou couvrir entièrement une grille avec des matériaux tels que du papier d'aluminium. Le non-respect de cette instruction empêche la circulation de l'air dans le four et peut entraîner une intoxication au monoxyde de carbone. Les feuilles de papier d'aluminium peuvent également retenir la chaleur et créer un risque d'incendie.
- **MISE EN GARDE :** Ne pas remiser dans des armoires au-dessus de la cuisinière ou sur le dossier d'une cuisinière, des objets que des enfants pourraient vouloir atteindre. Les enfants pourraient se blesser gravement en grimant sur la cuisinière.

- Installation appropriée – La cuisinière, lorsqu'elle est correctement installée, doit être reliée à la terre conformément aux codes électriques locaux ou, en l'absence de codes locaux, selon le *Code électrique national (US) ANSI/NFPA 70* ou le *Code canadien de l'électricité*. S'assurer que la cuisinière est correctement installée et reliée à la terre par un technicien qualifié.
- Cette cuisinière est munie d'une fiche de liaison à la terre à trois broches pour votre protection contre les risques de choc électrique et doit être branchée directement dans une prise de courant bien reliée à la terre. Ne pas couper ni enlever la broche de liaison à la terre de cette fiche.
- Déconnecter la source de courant électrique avant l'entretien.
- Des blessures peuvent survenir du fait d'un mauvais usage des portes ou des tiroirs de l'appareil tel que se tenir debout sur la surface, se pencher ou s'asseoir sur les portes ou tiroirs.
- Entretien – Garder l'espace autour de la cuisinière dégagé et libre de matériaux combustibles, d'essence et d'autres vapeurs et liquides inflammables.
- Remisage dans ou sur la cuisinière – Des produits inflammables ne devraient pas être remisés dans un four ou près des éléments de surface.
- La taille de la flamme des brûleurs de surface devrait être ajustée de sorte qu'elle ne dépasse pas le bord de l'ustensile de cuisson.

Cuisinière autonettoyante –

- Avant l'autonettoyage du four – Ôter la lèchefrite et son plat et les autres ustensiles. Essuyer tous les renversements excessifs avant de mettre en marche le programme d'autonettoyage.

CONSERVEZ CES INSTRUCTIONS

GUIDE DES CARACTÉRISTIQUES

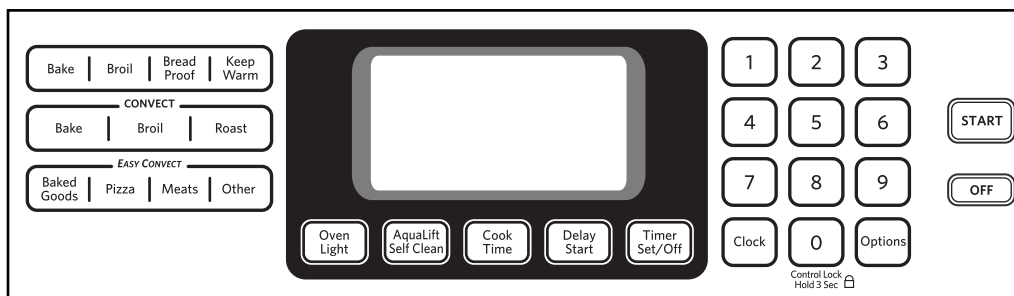
Ce manuel couvre différents modèles. Le modèle que vous avez peut comporter toutes les caractéristiques énumérées ou seulement certaines d'entre elles. Se reporter à ce manuel ou à la section du service à la clientèle de notre site Web sur www.kitchenaid.ca pour des instructions plus détaillées.

⚠ AVERTISSEMENT

Risque d'empoisonnement alimentaire

Ne pas laisser des aliments dans un four plus d'une heure avant ou après la cuisson.

Le non-respect de cette instruction peut causer un empoisonnement alimentaire ou une maladie.



TOUCHE	CARACTÉRISTIQUE	INSTRUCTIONS
CLOCK (horloge)	Horloge	Cette horloge peut utiliser un programme de 12 ou 24 heures. Voir la section “Commandes électroniques du four”. <ol style="list-style-type: none"> Appuyer sur CLOCK (horloge). Appuyer sur “3” pour AM (heure du matin) ou “6” pour PM (heure de l’après-midi). Appuyer sur les touches numériques pour régler l’heure. Appuyer sur START (mise en marche).
OVEN LIGHT (lampe du four)	Lampe de la cavité du four	Alors que la porte du four est fermée, appuyer sur la touche OVEN LIGHT (lampe du four) pour allumer ou éteindre la lampe. La lampe du four s’allume à l’ouverture de la porte.
TIMER (minuterie) SET/OFF (réglage/arrêt)	Minuterie du four	La minuterie peut être réglée en heures ou en minutes jusqu’à concurrence de 9 heures et 59 minutes. <ol style="list-style-type: none"> Appuyer sur TIMER (minuterie). Appuyer sur les touches numériques pour régler la durée en hr-min-min. Les zéros de gauche peuvent ne pas être entrés. Entrer “2” pour 2 minutes par exemple. Appuyer sur TIMER (minuterie) pour commencer le compte à rebours. Si activés, les signaux sonores de fin de programme retentissent à la fin du compte à rebours. Appuyer sur TIMER (minuterie) pour annuler la minuterie et revenir à l’heure du jour. Ne pas appuyer sur la touche Off (arrêt), sinon le four s’éteindra.
START (mise en marche)	Démarrage de la cuisson	La touche Start met en marche n’importe quelle fonction du four. Si, après avoir appuyé sur une touche, on n’appuie pas sur Start dans les 2 minutes qui suivent, la fonction est annulée et l’heure s’affiche.
OFF (arrêt)	Fonction de la cuisinière	La touche Off (arrêt) désactive toutes les fonctions du four à l’exception de l’horloge, de la minuterie et du verrouillage des commandes.
BAKE (cuisson au four)	Cuisson au four et rôtissage	<ol style="list-style-type: none"> Appuyer sur BAKE (cuisson au four). Appuyer sur les touches numériques pour régler une température autre que 350°F (177°C) par tranches de 5°, entre 170°F et 500°F (75°C et 260°C). Appuyer sur START (mise en marche). Pour modifier la température, répéter l’étape 2. Appuyer sur START (mise en marche) pour que le changement puisse s’effectuer. Appuyer sur OFF (arrêt) après avoir terminé.
BROIL (cuisson au grill)	Cuisson au grill	<ol style="list-style-type: none"> Appuyer sur BROIL (cuisson au grill). Sélectionner la température de cuisson au grill en appuyant sur 1 - élevée (500°F [260°C]), 2 - moyenne (450°F [233°C]) ou 3 - basse (400°F [205°C]). Le réglage par défaut est “basse”. Appuyer sur START (mise en marche), et laisser le four préchauffer pendant 5 minutes. Placer les aliments dans le four et fermer la porte du four. Appuyer sur OFF (arrêt) après avoir terminé.

TOUCHE	CARACTÉRISTIQUE	INSTRUCTIONS
CONVECT BAKE (cuisson au four par convection)	Cuisson par convection	<ol style="list-style-type: none"> 1. Appuyer sur CONVECT BAKE (cuisson au four par convection). 2. Appuyer sur les touches numériques pour régler une température autre que 350°F (177°C) par tranches de 5°, entre 170°F et 500°F (77°C et 260°C). 3. Appuyer sur START (mise en marche). 4. Pour modifier la température, répéter l'étape 2. Appuyer sur START (mise en marche) pour que le changement puisse s'effectuer. 5. Appuyer sur OFF (arrêt) après avoir terminé.
CONVECT ROAST (rôtissage par convection)	Cuisson par convection	<ol style="list-style-type: none"> 1. Appuyer sur CONVECT ROAST (rôtissage par convection). 2. Appuyer sur les touches numériques pour régler une température autre que 325°F (163°C) par tranches de 5°, entre 170°F et 500°F (77°C et 260°C). 3. Appuyer sur START (mise en marche). 4. Pour modifier la température, répéter l'étape 2. Appuyer sur START (mise en marche) pour que le changement puisse s'effectuer. 5. Appuyer sur OFF (arrêt) après avoir terminé.
CONVECT BROIL (cuisson au gril par convection)	Cuisson par convection	<ol style="list-style-type: none"> 1. Appuyer sur CONVECT BROIL (cuisson au gril par convection). 2. Appuyer sur les touches numériques pour régler une température autre que 325°C (163°C) par tranches de 5°, entre 170°F et 500°F (77°C et 260°C). 3. Appuyer sur START (mise en marche). 4. Pour modifier la température, répéter l'étape 2. Appuyer sur START (mise en marche) pour que le changement puisse s'effectuer. 5. Appuyer sur OFF (arrêt) après avoir terminé.
CONVERSION EASYCONVECT™	Conversion de recette pour cuisson par convection	<p>REMARQUE : Pour de meilleurs résultats, préchauffer le four à la température requise avant d'utiliser la conversion EasyConvect™. Une fois le préchauffage terminé, appuyer sur la touche OFF (arrêt) avant d'utiliser la conversion EasyConvect™.</p> <ol style="list-style-type: none"> 1. Appuyer sur la touche EasyConvect™ adéquate (MEATS [viandes], PIZZA, BAKED GOODS [produits de boulangerie] ou OTHER [autre]), puis appuyer sur START (mise en marche). 2. Appuyer sur les touches numériques pour entrer la température de cuisson standard puis appuyer sur START (mise en marche). 3. Appuyer sur les touches numériques pour entrer une durée de cuisson standard puis appuyer sur START (mise en marche). 4. Placer les aliments dans le four. Contrôler le degré de cuisson des aliments avant que l'heure de fin ne soit atteinte. Si les aliments ne sont pas cuits une fois la durée de cuisson écoulée, prolonger la cuisson avant que la cuisson ne soit terminée. Voir la section "Durée de cuisson". Une fois la durée écoulée, le four s'éteint automatiquement. 5. Appuyer sur OFF (arrêt) après avoir terminé. <p>Consulter la section "Conversion EasyConvect™" pour plus d'informations.</p>
LEVÉE DU PAIN	Levée du pain	<ol style="list-style-type: none"> 1. Appuyer sur BREAD PROOF (levée du pain) jusqu'à ce que le type de levée souhaité s'affiche ("Stndrd Proof" [levée standard] ou "Rapid Proof" [levée rapide]). REMARQUE : "Rapid" fonctionne à une température légèrement supérieure pour la deuxième levée d'une pâte pré-moulée. 2. Appuyer sur START (mise en marche). Laisser la pâte lever jusqu'à ce qu'elle ait presque doublé de volume. La durée de levée du pain peut varier en fonction du type de pâte et de la quantité. 3. Appuyer sur OFF (arrêt) après avoir terminé la levée. Consulter la section "Levée du pain" pour plus d'informations.
KEEP WARM (garder au chaud)	Maintien au chaud	<p>Les aliments doivent être à la température de service avant d'être placés dans le four chauffé.</p> <ol style="list-style-type: none"> 1. Appuyer sur KEEP WARM (maintien au chaud). 2. Régler la température entre 145°F (63°C) et 190°F (88°C) en utilisant les touches numériques. La température par défaut est 170° (75°C). 3. Appuyer sur START (mise en marche). 4. Appuyer sur OFF (arrêt) après avoir terminé.
DELAY START (mise en marche différée)	Mise en marche différée	<p>La touche DELAY START (mise en marche différée) sert à entrer l'heure de mise en marche pour un four équipé d'une mise en marche différée.</p>
COOK TIME (durée de cuisson)	Durée de cuisson	<p>La fonction de durée de cuisson permet d'allumer le four à une certaine heure de la journée, d'effectuer une cuisson pendant une durée déterminée et/ou d'éteindre le four automatiquement. La mise en marche différée ne doit pas être utilisée pour les aliments tels que pains et gâteaux, car ils risquent de ne pas bien cuire. Pour régler une durée de cuisson ou une durée de cuisson différée, voir la section "Durée de cuisson".</p>

TOUCHE	CARACTÉRISTIQUE	INSTRUCTIONS
AUTONETTOYAGE AQUALIFT	Programme d'autonettoyage AquaLift™	Voir la section "Programme de nettoyage".
CONTROL LOCK (verrouillage des commandes) appuyer pendant 3 secondes pour verrouiller	Verrouillage des commandes du four	Aucune touche ne fonctionne lorsque les commandes sont verrouillées. 1. Vérifier que le four et la minuterie sont éteints. 2. Appuyer sur la touche "0" pendant 3 secondes. 3. Si cette fonction est activée, un signal sonore retentit et "TABLEAU DE COMMANDE VERROUILLÉ" s'affiche. 4. Répéter pour déverrouiller.
OPTIONS	Fonctions d'utilisation du four	Permet de personnaliser les signaux sonores audibles et le fonctionnement du four pour convenir à vos besoins. Voir la section "Utilisation du four".

UTILISATION DE LA TABLE DE CUISSON

⚠ AVERTISSEMENT



Risque d'incendie

La flamme d'un brûleur ne devrait pas dépasser le bord du récipient de cuisson.

Fermer tous les réglages lorsque la cuisson est terminée.

Le non-respect de ces instructions peut causer un décès ou un incendie.

Des allumeurs électriques allument automatiquement les brûleurs de surface lorsque les boutons de commande sont tournés à LITE (allumage).

Avant de régler un bouton de commande, placer l'ustensile de cuisson rempli sur la grille. Ne pas faire fonctionner un brûleur avec un ustensile de cuisson vide ou sans ustensile de cuisson sur la grille.

La flamme doit être réglée de sorte qu'elle ne dépasse pas du plat.

Réglage :

1. Enfoncer et tourner le bouton dans le sens antihoraire à LITE. Tous les brûleurs de surface émettront un déclic. Seul le brûleur dont le bouton de commande est placé sur LITE produira une flamme.
2. Tourner le bouton à n'importe quel réglage entre HIGH (élevé) et LOW (bas).

N'OUBLIEZ PAS : Lors de l'utilisation de la cuisinière, toute la surface de la table de cuisson peut devenir chaude.

Caractéristique du brûleur Ultra Power™

Le brûleur avant gauche est conçu pour offrir un maximum de puissance lorsqu'il est au réglage maximal. Il peut servir pour porter rapidement un liquide à ébullition ou pour faire cuire de grandes quantités d'aliments.

Caractéristique du brûleur de mijotage Even-Heat™

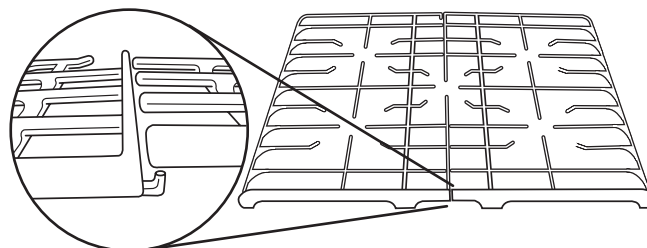
La caractéristique de mijotage Even-Heat™ permet un mijotage et une cuisson à basse température plus précis. Il s'agit du brûleur arrière droit.

Panne de courant

En cas de panne de courant prolongée, les brûleurs de surface peuvent être allumés manuellement. Tenir une allumette allumée près d'un brûleur et tourner le bouton dans le sens antihoraire à LITE. Une fois le brûleur allumé, tourner le bouton au réglage souhaité.

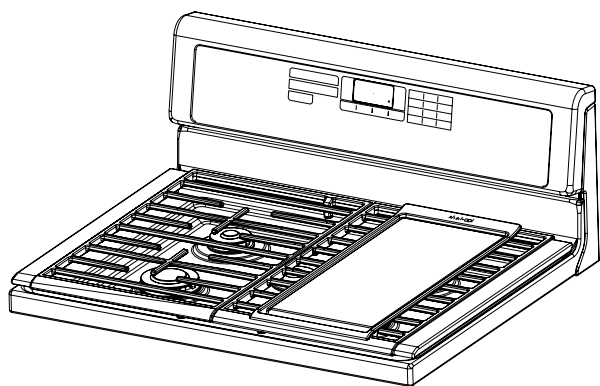
Grilles

Les grilles de cette cuisinière couvrent toute la table de cuisson en largeur. Il est possible d'imbriquer les deux grilles à l'aide du crochet situé à une extrémité de chacune d'entre elles (sur certains modèles). L'extrémité plate d'une des grilles s'emboîte sur le crochet de l'autre grille tel qu'indiqué dans l'illustration suivante.



Sur certains modèles, les deux grilles sont identiques et peuvent être utilisées du côté gauche ou droit de la table de cuisson. Les grilles conçues pour être utilisées uniquement sur un côté de la table de cuisson portent les indications "LEFT" (gauche) ou "RIGHT" (droite) sur leur face inférieure.

Plaque à frire



Plaque à frire installée sur le côté droit de la table de cuisson

Utilisation de la plaque à frire :

1. Placer la plaque à frire sur le côté droit de la grille comme indiqué. Le pied de positionnement qui se trouve au fond de la plaque à frire s'accroche aux dents de la grille pour empêcher la plaque à frire de glisser.

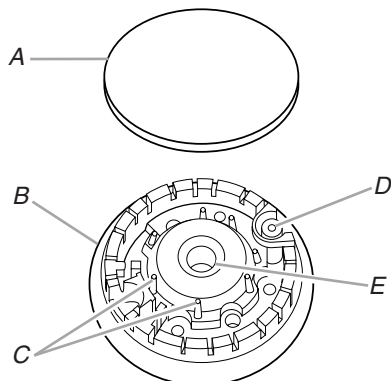
2. Avant chaque utilisation, passer une fine couche d'huile de cuisson afin d'empêcher les aliments de coller. Les aérosols de cuisine peuvent laisser des résidus collants, difficiles à enlever, sur la plaque à frire.
3. Préchauffer la plaque à frire pendant 5 minutes. Préchauffer la plaque à frire lentement assure une distribution uniforme de la chaleur et permet d'éviter la déformation de la plaque à frire.
4. Pour le préchauffage et la cuisson, régler le brûleur avant sur le réglage de chaleur le plus bas et le brûleur arrière sur une chaleur moyennement élevée afin de garantir les meilleures performances.

REMARQUE : La plaque à frire peut aussi être utilisée sur le côté gauche de la grille. Pour obtenir les meilleurs résultats, le réglage du brûleur arrière doit être réglé à Medium-Low (moyen-faible) ou à Medium (moyen), et le brûleur avant doit être réglé à Low (faible).

Nettoyage de la plaque à frire :

1. Laisser la plaque à frire refroidir, et ensuite vider le plateau d'égouttement.
2. Voir la section "Nettoyage général" pour les instructions de nettoyage.
3. Remiser la plaque à frire dans un endroit frais et sec.

Brûleurs de surface scellés

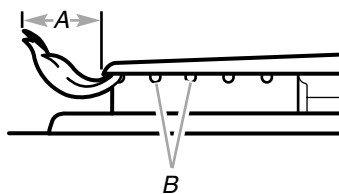


- A. Chapeau de brûleur
- B. Base du brûleur
- C. Tiges d'alignement
- D. Allumeur
- E. Ouverture du tube d'arrivée de gaz

IMPORTANT : Ne pas entraver le débit de gaz de combustion et de l'air de ventilation autour des bords des grilles de brûleur.

Chapeau de brûleur : Toujours garder le chapeau du brûleur en place lorsqu'un brûleur de surface est utilisé. Un chapeau de brûleur propre empêche un mauvais allumage et une flamme inégale. Toujours nettoyer le chapeau de brûleur après un renversement, enlever et nettoyer régulièrement les chapeaux conformément à la section "Nettoyage général".

Ouverture du tube d'arrivée de gaz : Pour que le brûleur s'allume convenablement, il faut que le gaz puisse passer librement à travers l'ouverture du tube d'arrivée de gaz. Garder cette zone exempte de saletés et veiller à ce que les renversements, aliments, agents de nettoyage ou autre matériau ne puissent pénétrer dans l'ouverture du tube d'arrivée de gaz. Protéger le tube d'arrivée de gaz contre les renversements en utilisant toujours un chapeau de brûleur.



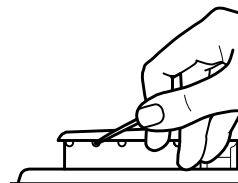
- A. 1 à 1½" (25 à 38 mm)
- B. Orifices de brûleur

Orifices de brûleur : Examiner occasionnellement les flammes des brûleurs pour en vérifier la taille et la forme tel qu'indiqué ci-dessus. Une bonne flamme est bleue, pas jaune. Il est essentiel de garder cette zone exempte de saletés et de veiller à ce que les renversements, aliments, agents de nettoyage ou autre matériau ne puissent pénétrer dans les orifices de brûleur.

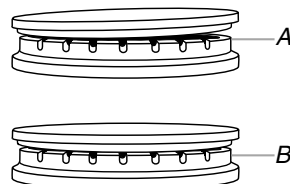
Nettoyage :

IMPORTANT : Avant de faire le nettoyage, s'assurer que toutes les commandes sont éteintes et que le four et la table de cuisson sont froids. Ne pas utiliser de nettoyeurs à four, agents de blanchiment ou décapants à rouille.

1. Enlever le chapeau de brûleur de la base du brûleur et nettoyer conformément à la section "Nettoyage général".
2. Nettoyer l'ouverture du tube d'arrivée de gaz avec un linge humide.
3. Nettoyer les orifices de brûleur obstrués avec une épingle droite tel qu'indiqué. Ne pas agrandir ni déformer les orifices. Ne pas utiliser un cure-dent en bois. Si le brûleur a besoin d'être ajusté, faire venir un technicien de réparation qualifié.



4. Réinstaller le chapeau de brûleur et s'assurer que les tiges d'alignement sont bien alignées avec le chapeau de brûleur.

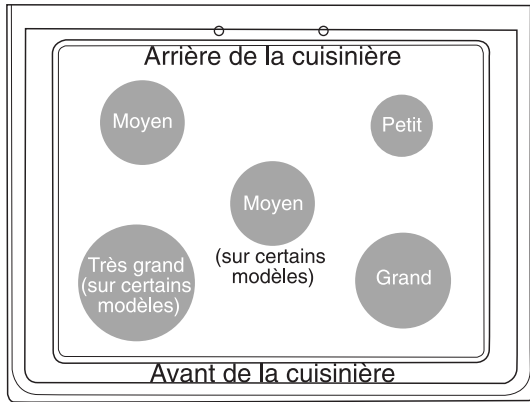


- A. Incorrect
- B. Correct

5. Allumer le brûleur. Si le brûleur ne s'allume pas, vérifier l'alignement du chapeau. Si le brûleur ne s'allume toujours pas, ne pas faire soi-même la réparation du brûleur scellé. Contacter un technicien de réparation qualifié.

Taille du brûleur

Sélectionner un brûleur qui convient le plus aux ustensiles de cuisson utilisés. Voir le tableau et l'illustration suivants.



Taille du brûleur	Utilisation recommandée
Petite taille	<ul style="list-style-type: none"> ■ Cuisson à basse température ■ Faire fondre le chocolat ou le beurre
Taille moyenne	<ul style="list-style-type: none"> ■ Brûleur multifonction
Grande taille	<ul style="list-style-type: none"> ■ Pour les ustensiles de cuisson de grande taille
Très grande taille	<ul style="list-style-type: none"> ■ Le brûleur le plus puissant ■ Pour les ustensiles de cuisson de grande taille

Ustensiles de cuisson

IMPORTANT : Ne pas laisser d'ustensile de cuisson vide sur une surface de cuisson, un élément ou un brûleur de surface chauds.

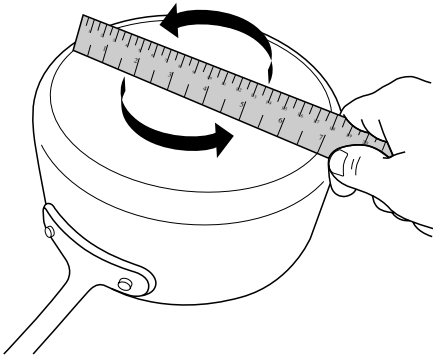
Les ustensiles de cuisson idéals doivent avoir un fond plat, des parois droites, un couvercle qui ferme hermétiquement et le matériau doit être d'épaisseur moyenne à forte.

Les finis rugueux peuvent érafler la table de cuisson ou les grilles. L'aluminium et le cuivre peuvent être utilisés comme fond ou base d'un ustensile de cuisson.

Le matériau d'un ustensile a une influence sur la rapidité et l'uniformité de la transmission de la chaleur, lesquelles contribuent aux résultats de cuisson.

Les ustensiles de cuisson avec surface anti-adhésive ne doivent pas être utilisés sous le gril.

Vérifier que le récipient est plat en plaçant le bord plat d'une règle en travers du fond du récipient. Lorsque l'on fait tourner la règle, aucun espace ni aucune lumière ne devraient être visibles entre celle-ci et le récipient.

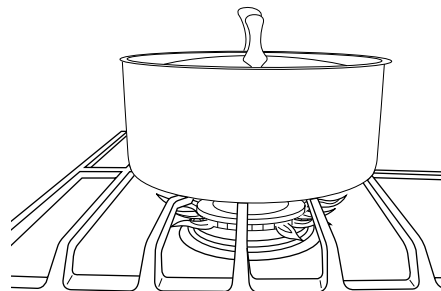


Utiliser le tableau suivant comme guide pour les caractéristiques du matériau d'ustensile de cuisson.

USTENSILE	CARACTÉRISTIQUES
Aluminium	<ul style="list-style-type: none"> ■ Chauffe rapidement et uniformément. ■ Convient à tous les genres de cuisson. ■ L'épaisseur moyenne ou forte convient le mieux pour la plupart des tâches de cuisson.
Fonte	<ul style="list-style-type: none"> ■ Chauffe lentement et uniformément. ■ Convient pour le brunissage et la friture. ■ Maintient la chaleur pour une cuisson lente.

USTENSILE	CARACTÉRISTIQUES
Céramique ou vitrocéramique	<ul style="list-style-type: none"> ■ Suivre les instructions du fabricant. ■ Chauffe lentement, mais inégalement. ■ Les meilleurs résultats sont obtenus sur les réglages de chaleur basse à moyenne.
Cuivre	<ul style="list-style-type: none"> ■ Chauffe très rapidement et uniformément. ■ Peut laisser des résidus de cuivre. Pour en réduire la quantité, les nettoyer immédiatement après la cuisson.
Terre cuite	<ul style="list-style-type: none"> ■ Suivre les instructions du fabricant. ■ Utiliser des réglages de température basse.
Acier émaillé en porcelaine ou fonte émaillée	<ul style="list-style-type: none"> ■ Voir acier inoxydable ou fonte.
Acier inoxydable	<ul style="list-style-type: none"> ■ Chauffe rapidement, mais inégalement. ■ Un fond ou une base d'aluminium ou de cuivre sur l'acier inoxydable procure un chauffage uniforme.

Pour les meilleurs résultats, les ustensiles de cuisson doivent être centrés au-dessus du brûleur tout en étant posés à l'horizontale au fond sur la grille. La flamme doit être réglée de sorte qu'elle ne s'étende pas sur les côtés du plat.



Mise en conserve à la maison

Lors de la préparation de conserves pendant de longues périodes, alterner l'utilisation des brûleurs de surface de cuisson entre chaque quantité préparée. Ceci permet aux dernières surfaces utilisées de refroidir.

- Centrer l'autoclave sur la grille au-dessus du brûleur.

- Ne pas placer l'autoclave sur 2 brûleurs de surface en même temps.
- Pour plus de renseignements, contacter votre bureau de développement agricole local, ou consulter les guides de mise en conserve domestique. Les compagnies qui fabriquent des produits pour la préparation de conserves peuvent aussi offrir de l'aide.

UTILISATION DU FOUR

Le fonctionnement normal de la cuisinière inclut plusieurs bruits qui peuvent être entendus chaque fois que les brûleurs de cuisson au four ou de cuisson au gril s'allument durant le programme de cuisson :

- les robinets de gaz peuvent faire un bruit "sec" lorsqu'ils s'ouvrent ou se ferment
- les allumeurs émettront plusieurs déclics jusqu'à ce qu'une flamme soit détectée

- un bruit "d'affaissement" se fait entendre lorsque le brûleur de cuisson au four ou de cuisson au gril s'allume

Des odeurs et de la fumée sont normales lorsque le four est utilisé les premières fois, ou lorsqu'il est très sale.

IMPORTANT : La santé de certains oiseaux est très sensible aux émanations de fumée. L'exposition aux émanations peut entraîner la mort de certains oiseaux. Toujours déplacer les oiseaux dans une autre pièce fermée et bien aérée.

Commandes électroniques du four

Affichage des commandes

L'affichage clignote lorsqu'il est mis en marche ou après une coupure de courant. Appuyer sur OFF (arrêt) pour effacer. Lorsque le four n'est pas en marche, l'heure du jour est affichée.

Signaux sonores

Les signaux sonores indiquent ce qui suit :

Un seul signal sonore

- Appui sur une touche valide
- Four préchauffé (signal sonore long)
- Fonction entrée
- Rappel (sur certains modèles), signal se répétant à intervalles d'une minute après les signaux sonores de fin de programme

Trois signaux sonores

- Appui sur une touche non valide

Quatre signaux sonores

- Fin de programme

Appuyer sur la touche OPTIONS pour modifier les réglages des signaux sonores.

Options

De nombreuses caractéristiques du module de commande du four peuvent être ajustées pour répondre à vos besoins. On effectue ces changements à l'aide de la touche OPTIONS.

Utiliser la touche OPTIONS pour faire défiler les caractéristiques qui peuvent être modifiées. L'affichage passe au réglage suivant à chaque pression supplémentaire sur OPTIONS. Après avoir sélectionné la caractéristique à modifier, le tableau de commande demande à l'utilisateur d'effectuer la manœuvre nécessaire. Une fois que l'on a sauvegardé le réglage en appuyant sur Start (mise en marche), le tableau de commande quitte "Options" et affiche l'heure. Les sections suivantes détaillent toutes les modifications de caractéristiques.

Appuyer sur OFF (arrêt) pour sortir du mode Options.

Heure du jour de l'horloge

Cette horloge peut utiliser un programme de 12 ou 24 heures. Pour la régler, voir "Horloge 12/24 heures" dans cette section.

Vérifier que le four et la minuterie sont éteints.

Pour changer l'heure du jour :

1. Appuyer une fois sur OPTIONS. Après 3 secondes, "SET CLOCK-PUSH START TO CHANGE" (réglage de l'horloge - appuyer sur Start pour modifier) sera affiché.
2. Appuyer sur START (mise en marche) pour afficher le réglage actuel.
3. Appuyer sur "3" pour AM (heure du matin) ou "6" pour PM (heure de l'après-midi).
4. Appuyer sur les touches numériques pour régler l'heure du jour.
5. Appuyer sur START (mise en marche).
6. Appuyer sur OFF (arrêt) pour sortir.

Fahrenheit et Celsius

Le four est préréglé pour un affichage de la température en degrés Fahrenheit, mais on peut le permuter en degrés Celsius.

Pour modifier :

1. Appuyer sur OPTIONS jusqu'à ce que "TEMP UNIT" (unité de température) s'affiche.
2. Appuyer sur START (mise en marche) pour afficher le réglage actuel.
3. Appuyer sur la touche "3" pour modifier le réglage.
4. Appuyer sur START (mise en marche) pour enregistrer le réglage.
5. Appuyer sur OFF (arrêt) pour sortir.

Désactivation des signaux sonores

Désactive tous les signaux sonores, y compris le signal sonore de fin de programme et les signaux sonores d'appui sur une touche. Les signaux sonores de rappel restent actifs lorsque tous les sons sont désactivés.

1. Appuyer sur OPTIONS jusqu'à ce que "ALL SOUNDS" (tous les signaux) s'affiche.
2. Appuyer sur START (mise en marche) pour afficher le réglage actuel.
3. Appuyer sur la touche "3" pour modifier le réglage.
4. Appuyer sur START (mise en marche) pour enregistrer le réglage.
5. Appuyer sur OFF (arrêt) pour sortir.

Timbre des signaux sonores (Volume)

Règle le timbre du signal sonore à bas ou élevé.

1. Appuyer sur OPTIONS jusqu'à ce que "TONE PITCH" (tonalité) s'affiche.
2. Appuyer sur START (mise en marche) pour afficher le réglage actuel.
3. Appuyer sur la touche "3" pour modifier le réglage.
4. Appuyer sur START (mise en marche) pour enregistrer le réglage.
5. Appuyer sur OFF (arrêt) pour sortir.

Signal sonore de fin de programme

Active ou désactive les signaux sonores qui retentissent à la fin d'un programme.

1. Appuyer sur OPTIONS jusqu'à ce que "CYCLE TONE END" (fin du signal de programme) s'affiche.
2. Appuyer sur START (mise en marche) pour afficher le réglage actuel.
3. Appuyer sur la touche "3" pour modifier le réglage.
4. Appuyer sur START (mise en marche) pour enregistrer le réglage.
5. Appuyer sur OFF (arrêt) pour sortir.

Signaux sonores d'appui sur une touche

Active ou désactive les signaux sonores lorsqu'on appuie sur une touche.

1. Appuyer sur OPTIONS jusqu'à ce que "KEY PRESS TONE" (signal de pression sur une touche) s'affiche.
2. Appuyer sur START (mise en marche) pour afficher le réglage actuel.
3. Appuyer sur la touche "3" pour modifier le réglage.
4. Appuyer sur START (mise en marche) pour enregistrer le réglage.
5. Appuyer sur OFF (arrêt) pour sortir.

Désactivation des signaux sonores de rappel

Désactive les courts signaux sonores qui retentissent toutes les minutes après les signaux sonores de fin de programme.

1. Appuyer sur OPTIONS jusqu'à ce que "REMINDER TONE" (signal de rappel) s'affiche.
2. Appuyer sur START (mise en marche) pour afficher le réglage actuel.
3. Appuyer sur la touche "3" pour modifier le réglage.
4. Appuyer sur START (mise en marche) pour enregistrer le réglage.
5. Appuyer sur OFF (arrêt) pour sortir.

Horloge 12/24 heures

1. Appuyer sur OPTIONS jusqu'à ce que "12/24 HR" s'affiche.
2. Appuyer sur START (mise en marche) pour afficher le réglage actuel.
3. Appuyer sur la touche "3" pour modifier le réglage.
4. Appuyer sur START (mise en marche) pour enregistrer le réglage.
5. Appuyer sur OFF (arrêt) pour sortir.

Mode démo

IMPORTANT : Ce mode est conçu pour le personnel de vente en rayon avec une alimentation de 120 V et permet de présenter le fonctionnement des caractéristiques du tableau de commande sans pour autant activer les éléments de chauffage. Si cette caractéristique est activée, le four ne fonctionnera pas.

1. Appuyer sur OPTIONS jusqu'à ce que "DEMO MODE" (mode de démonstration) s'affiche.
2. Appuyer sur START (mise en marche) pour afficher le réglage actuel.
3. Appuyer sur la touche "3" pour modifier le réglage.
4. Appuyer sur START (mise en marche) pour enregistrer le réglage.
5. Appuyer sur OFF (arrêt) pour sortir.

Arrêt au bout de 12 heures

La commande du four est réglée pour éteindre le four automatiquement 12 heures après que le four a activé une fonction de cuisson ou de nettoyage. Ceci ne perturbera aucune fonction de cuisson minutée ou différée.

1. Appuyer sur OPTIONS jusqu'à ce que "12-HR SHUT-OFF" (arrêt au bout de 12 heures) s'affiche.
2. Appuyer sur START (mise en marche) pour afficher le réglage actuel.
3. Appuyer sur la touche "3" pour modifier le réglage.
4. Appuyer sur START (mise en marche) pour enregistrer le réglage.
5. Appuyer sur OFF (arrêt) pour sortir.

Langues - Menu d'affichage déroulant

Les options de langues sont l'anglais, l'espagnol et le français.

1. Appuyer sur OPTIONS jusqu'à ce que "LANGUAGE" (langue) s'affiche.
2. Appuyer sur START (mise en marche) pour afficher le réglage actuel.
3. Appuyer sur la touche "3" pour modifier le réglage.
4. Appuyer sur START (mise en marche) pour enregistrer le réglage.
5. Appuyer sur OFF (arrêt) pour sortir.

Commande de décalage de température du four

IMPORTANT : Ne pas utiliser de thermomètre pour mesurer la température du four car l'ouverture de la porte du four peut provoquer des mesures incorrectes de l'élément à fonctionnement par intermittence.

Le four fournit des températures précises; toutefois, il peut cuire plus rapidement ou plus lentement que votre four précédent, c'est pourquoi la température peut être ajustée à vos besoins de cuisson. Elle peut être modifiée en degrés Fahrenheit ou Celsius.

Ajustement de la température du four :

1. Appuyer sur OPTIONS jusqu'à ce que "TEMP OFFSET" (écart de température) s'affiche.
2. Appuyer sur START (mise en marche) pour afficher le réglage actuel.
3. Appuyer sur la touche "3" pour augmenter la température par tranches de 5°F (3°C), ou appuyer sur la touche "6" pour diminuer la température par tranches de 5°F (3°C). La plage de température doit se situer entre -30°F et +30°F (-18°C à 18°C).
4. Appuyer sur START (mise en marche) pour enregistrer le réglage.
5. Appuyer sur OFF (arrêt) pour sortir.

Mode Sabbat

Le mode Sabbat permet au four de rester sur un réglage de cuisson au four jusqu'à ce qu'on l'éteigne.

Lorsque le mode Sabbat est activé, seul le programme Bake (cuisson au four) fonctionnera. Tous les autres programmes de cuisson et de nettoyage sont désactivés. Aucun signal sonore ne retentit et l'afficheur n'indique pas les messages ou les changements de température.

Lorsque la porte du four est ouverte ou fermée, la lampe du four ne s'allume ou ne s'éteint pas et les éléments de chauffage ne s'allument ou ne s'éteignent pas immédiatement.

Activation du mode Sabbat (une seule fois) :

1. Ouvrir la porte du four.
2. Appuyer sur 7-8-9-6.
"SABBATH ON" (mode Sabbat activé) ou "SABBATH OFF" (mode Sabbat désactivé) apparaît sur l'affichage. Si "SABBATH ON" s'affiche, cela signifie que le mode Sabbat est activé. Passer à l'étape 4. Si "SABBATH OFF" s'affiche, passer à l'étape 3.
3. Appuyer sur START pour changer l'état affiché.
4. Fermer la porte du four et appuyer sur OFF (arrêt). Le mode Sabbat peut être utilisé pour la cuisson au four.

REMARQUE : Pour désactiver le mode Sabbat, répéter les étapes 1 à 4 pour changer l'état de "SABBATH ON" (mode Sabbat activé) à "SABBATH OFF" (mode Sabbat désactivé).

Activation du mode Sabbat :

1. Appuyer sur BAKE (cuisson au four).
2. Appuyer sur les touches numériques pour entrer une température autre que 350°F (177°C).
3. Appuyer sur START (mise en marche).
Pour une cuisson minutée au mode Sabbat, appuyer sur COOK TIME (durée de cuisson), puis sur les touches numériques pour régler la durée de cuisson désirée.
4. Appuyer sur OPTIONS, puis sur "7". "SAb" apparaît sur l'affichage.

Réglage de la température (lorsque le mode Sabbat fonctionne) :

1. Appuyer sur les touches numériques comme indiqué par le texte déroulant afin de sélectionner la nouvelle température.
REMARQUE : Aucune température n'apparaît sur l'affichage. L'afficheur présente le même texte déroulant que celui qui était affiché avant que l'on appuie sur la touche.
2. Appuyer sur START (mise en marche).

Désactivation du mode Sabbat :

Appuyer sur OPTIONS, puis sur "7" pour revenir à la cuisson au four traditionnelle ou appuyer sur OFF pour éteindre la cuisinière.

Papier d'aluminium

IMPORTANT : Pour éviter des dommages permanents au fini du fond du four, ne pas recouvrir le fond du four avec du papier d'aluminium ou un revêtement quelconque.

Pour assurer une bonne circulation de l'air et des résultats de cuisson optimaux, ne pas recouvrir la grille entière de papier d'aluminium.

Positionnement des grilles et des ustensiles de cuisson au four

IMPORTANT : Afin d'éviter des dommages permanents au fini en porcelaine, ne pas placer d'aliments ou d'ustensiles de cuisson directement sur la porte ou sur le fond du four.

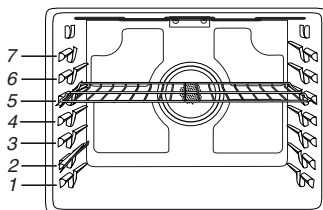
Ustensiles de cuisson au four

L'air chaud doit pouvoir circuler autour de l'aliment pour le cuire uniformément. Laisser 2" (5 cm) entre les ustensiles de cuisson et les parois du four. S'assurer qu'aucun ustensile de cuisson ne se trouve directement au-dessus d'un autre.

Grilles

- Placer les grilles avant d'allumer le four.
- Ne pas déplacer les grilles lorsque des ustensiles de cuisson au four se trouvent dessus.
- S'assurer que les grilles sont d'aplomb.

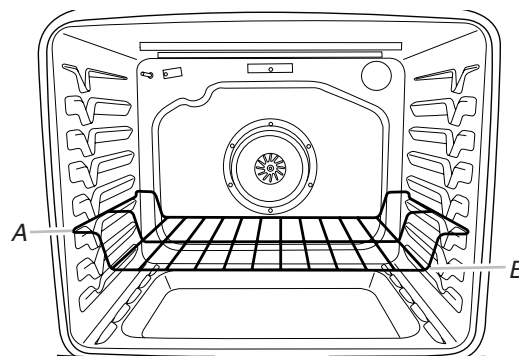
Pour déplacer une grille, la tirer jusqu'à la butée d'arrêt, soulever le rebord avant puis la retirer. Se servir de l'illustration et du tableau suivants comme guide.



Le four a 7 positions pour une grille plate, comme indiqué dans l'illustration précédente et le tableau suivant.

Position de la grille plate*	Type d'aliment
7	Cuire au grill/saisir les viandes, les hamburgers, les steaks
6	Viandes grillées, volaille grillée, poisson grillé
3 ou 4	La plupart des produits de boulangerie, mets en sauce
2	Viandes rôties
1	Gros rôtis ou volaille rôtie

*Si votre modèle possède une grille de four à capacité maximale, les extrémités encastrées doivent être placées dans la position de grille au-dessus de la position souhaitée pour les aliments. Voir l'illustration ci-dessous.



A. Extrémités de la grille en position 3
B. Aliments en position 2

IMPORTANT : Ces positions de grille sont pour les grilles plates. Si une grille de four à capacité maximale est utilisée, la position de la grille doit être ajustée comme dans la figure précédente.

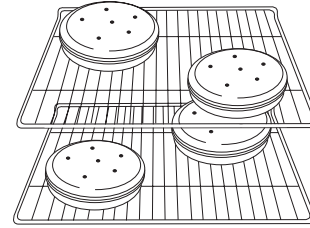
Cuisson sur plusieurs grilles

Cuisson sur 2 grilles : Utiliser les positions 2 et 5 pour la cuisson au four ordinaire ou par convection.

Cuisson sur 3 grilles (pour convection véritable uniquement) : Utiliser les positions de grille 2, 4 et 6.

Performance idéale sur 2 grilles

Pour un résultat optimal avec la cuisson au four de gâteaux sur 2 grilles, utiliser les grilles 2 et 5 avec la fonction de cuisson au four. Placer les gâteaux sur les grilles tel qu'indiqué. Pour un résultat optimal avec la cuisson au four de biscuits sur 2 grilles, utiliser les grilles 2 et 5 avec la fonction de cuisson au four.

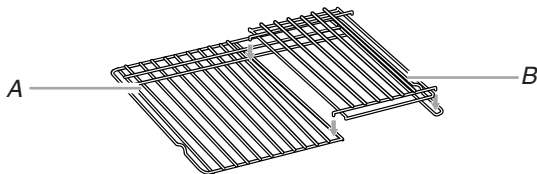


Grille de four en deux pièces (sur certains modèles)

Grille en deux pièces à section amovible

La grille en deux pièces à section amovible maximise l'espace. Lorsque les deux pièces sont reliées, elles forment une grille pleine largeur. La section amovible peut également être enlevée pour faire de la place pour des gros aliments tels qu'une dinde ou des mets en sauce. Ne pas placer plus de 25 lb (11,3 kg) sur la grille en deux pièces.

La section amovible peut aussi servir de grille de refroidissement sur un comptoir.

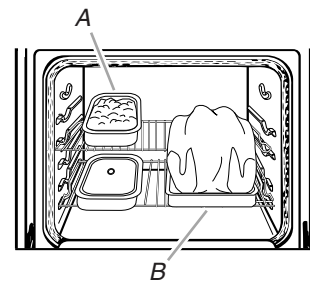


A. Grille en deux pièces
B. Section amovible

Il est possible de commander une grille en deux pièces. Voir la section "Accessoires" pour placer une commande.

Utilisation des grilles :

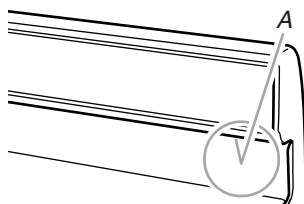
1. Placer une grille pleine largeur dans la section inférieure du four et placer la grille en deux pièces au-dessus.
2. Placer les gros aliments sur le côté droit de la grille pleine largeur.
3. Placer les plats couverts plus profonds sur le côté gauche de la grille pleine largeur.
4. Placer les plats peu profonds sur la grille en deux pièces.
5. À la fin de la cuisson, retirer les aliments avec précaution.



A. Placer les plats peu profonds sur la grille en deux pièces
B. Gros article placé sur le côté droit de la grille pleine largeur

Évent du four

L'évent du four permet l'évacuation de l'air chaud et de l'humidité du four et ne doit pas être obstrué ou couvert. L'obstruction nuirait à la circulation adéquate de l'air et affecterait les résultats de cuisson et de nettoyage. Ne pas placer près de l'évent du four des produits en plastique, en papier ou autres articles qui pourraient fondre ou brûler.



A. Évent du four

Cuisson au four et rôtissage

Système de gestion de la température

Le système régule électroniquement les niveaux de température du four durant le préchauffage et la cuisson au four afin de maintenir une gamme précise de températures pour des résultats de cuisson optimaux. Le brûleur de cuisson au four s'allume et s'éteint par intermittence. Pour les cuisinières à convection, le ventilateur peut fonctionner pendant le préchauffage et peut s'allumer et s'éteindre par intermittence pendant de courts intervalles afin de fournir de meilleurs résultats. Cette caractéristique est activée automatiquement lorsque le four est utilisé.

Le ventilateur de convection ne fonctionne pas durant les 5 premières minutes du programme.

Avant la cuisson au four et le rôtissage, placer les grilles comme indiqué à la section "Positionnement des grilles et des ustensiles de cuisson au four". Lors du rôtissage, il n'est pas nécessaire d'attendre la fin du préchauffage du four avant d'y placer la nourriture, sauf si la recette le recommande.

Préchauffage

Lorsque l'on appuie sur START (mise en marche), "LO" s'affiche et le four commence à préchauffer. Une fois que la température de 100°F (38°C) est atteinte, la température affichée augmente au fur et à mesure de l'augmentation de la température réelle du four. Lorsque la température de préchauffage est atteinte, un signal sonore est émis et la température sélectionnée apparaît sur l'afficheur. Le temps nécessaire pour préchauffer le four à 350°F (177°C) est d'environ 15 minutes, selon le modèle. Les facteurs qui ont une incidence sur les durées de préchauffage sont les suivants : la température ambiante, la température de démarrage du four, la qualité de l'alimentation en gaz et le nombre de grilles de four. On peut retirer les grilles de four inutilisées avant le préchauffage pour réduire la durée de préchauffage.

Cuisson au gril

Lors de la cuisson au gril, préchauffer le four pendant 5 minutes avant d'y placer des aliments, à moins que la recette ne recommande autre chose. Placer l'aliment sur la grille de la lèchefrite, puis placer celle-ci au centre de la grille du four.

IMPORTANT : Fermer la porte pour une température de cuisson au gril adéquate.

Le changement de température lors de la cuisson personnalisée au gril permet un contrôle plus précis de la cuisson. Plus le réglage du gril est bas, plus la cuisson est lente. Les morceaux épais et de forme irrégulière de viande, de poisson et de volaille cuisent mieux à des réglages de gril plus bas. Utiliser les grilles 6 ou 7 pour la cuisson au gril. Si l'on utilise la grille déployante, utiliser la position de grille 6. Consulter la section "Positionnement des grilles et ustensiles de cuisson au four" pour plus d'informations.

- Pour de meilleurs résultats, utiliser une lèchefrite et une grille. La lèchefrite est conçue pour laisser s'écouler les jus et aider à éviter les éclaboussures et la fumée.

Il est possible de commander une lèchefrite. Consulter la section "Accessoires" pour plus d'informations.

REMARQUE : Les odeurs et la fumée sont normales lors des premières utilisations du four ou si ce dernier est très sale.

Cuisson par convection

Dans un four à convection, l'air chaud que fait circuler le ventilateur distribue la chaleur de façon continue et plus uniformément que le mouvement naturel de l'air dans un four thermique standard. Ce déplacement de l'air chaud aide à maintenir une température constante dans tout le four, ce qui permet de cuire les aliments plus uniformément, de faire croustiller la surface des aliments tout en conservant leur humidité naturelle et de donner des pains plus croustillants.

Durant la cuisson par convection, les brûleurs de cuisson au four et de cuisson au gril, l'élément de convection (convection véritable uniquement) et le ventilateur s'allument et s'éteignent par intermittence pour maintenir la température du four tandis que le ventilateur fait circuler l'air chaud.

REMARQUE : Le ventilateur de convection s'allume environ 5 minutes pendant un programme de convection.

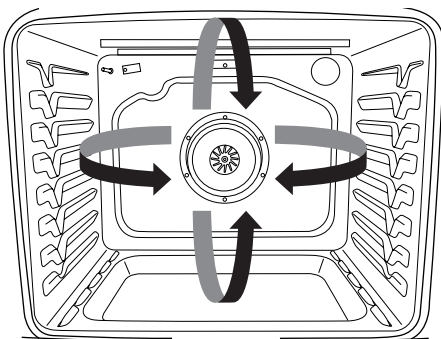
Si la porte du four est ouverte durant la cuisson par convection, le ventilateur s'éteint immédiatement. Il s'allume à nouveau lorsque la porte du four est fermée.

REMARQUE : La porte du four doit être fermée pour la cuisson au gril par convection.

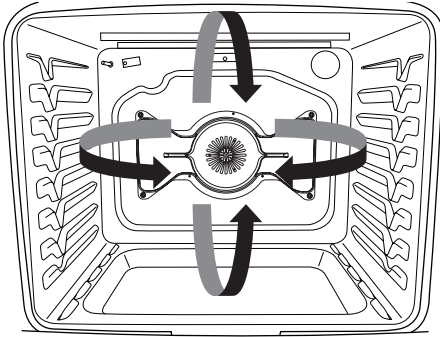
Avant de lancer une cuisson par convection, positionner les grilles tel qu'indiqué à la section "Positionnement des grilles et des ustensiles de cuisson au four".

La cuisson à convection permet de cuire la majorité des aliments à une température plus basse ou moins longtemps. Ces réglages peuvent être effectués à l'aide du tableau suivant ou en utilisant la caractéristique de conversion EasyConvect™ de la cuisinière.

RÉGLAGE	INSTRUCTIONS
CONVECT BAKE (cuisson au four par convection)	Réduire la température de cuisson au four standard de 25°F (15°C).
CONVECT ROAST (rôtissage par convection)	Utiliser une température de recette standard. La durée de cuisson peut être réduite de 15 à 30 % avec la fonction de rôtissage par convection; il faut donc contrôler le degré de cuisson des aliments tôt au cours de la cuisson.
CONVECT BROIL (cuisson au gril par convection)	Utiliser une température de recette standard. La durée de cuisson peut être réduite; il faut donc contrôler le degré de cuisson des aliments tôt au cours de la cuisson.



Convection véritable cordon bleu avec T.H.E.™



La convection véritable active un élément électrique autour du ventilateur de convection pour améliorer la performance de cuisson. Cette caractéristique permet de cuire les aliments au four sur trois grilles. Utiliser le tableau des options de convection suivant comme guide.

Options de cuisson par convection

RÉGLAGE	ALIMENTS
CONVECT BAKE (cuisson au four par convection)	Cuisson au four sur une ou plusieurs grilles pour les biscuits, pains, mets en sauce, ou tartes.
CONVECT BROIL (cuisson au grill par convection)	Des morceaux plus épais ou inégaux de viande, de poisson ou de volaille.
CONVECT ROAST (rôtissage par convection)	Poulets ou dindes entiers, légumes, rôtis de porc, ou rôtis de bœuf.

Conversion EasyConvect™

Les températures et durées de cuisson par convection peuvent différer de celles d'une cuisson standard. Selon la catégorie sélectionnée, la conversion EasyConvect™ réduit automatiquement la température et/ou durée de cuisson des recettes standard pour la cuisson par convection.

Les aliments sont regroupés en 4 grandes catégories. Choisir la catégorie qui correspond le mieux à l'aliment qui doit être cuit. Utiliser le tableau suivant comme guide.

RÉGLAGE	ALIMENTS
MEATS (viandes)	Poulet : entier et en morceaux Pain de viande, rôtis : porc, bœuf et jambon (Les dindes et les grosses volailles ne sont pas mentionnées car leur durée de cuisson est variable.)
BAKED GOODS (aliments cuits)	Biscuits, pains : à cuisson rapide, à levure Gâteaux et biscuits Mets en sauce
PIZZA	Pizza fraîche, pizza surgelée
OTHER (autres)	Plats cuisinés surgelés : frites, pépites, bâtonnets de poisson, lasagnes

Utilisation :

REMARQUE : Pour de meilleurs résultats, préchauffer le four à la température requise avant d'utiliser la conversion EasyConvect™. Une fois le préchauffage terminé, appuyer sur la touche OFF (arrêt) avant d'utiliser la conversion EasyConvect™.

1. Appuyer sur EASY CONVECT (convection facile) jusqu'à ce que l'option souhaitée apparaisse (MEATS [viandes], BAKED GOODS [aliments cuits], PIZZA ou OTHER [autre]), puis appuyer sur START.
2. Appuyer sur les touches numériques pour entrer la température de cuisson standard puis appuyer sur START.
3. Appuyer sur les touches numériques pour entrer la température de cuisson standard puis appuyer sur START.
4. Placer les aliments dans le four.
Contrôler le degré de cuisson des aliments avant que l'heure de fin de cuisson ne soit atteinte. Si les aliments ne sont pas cuits une fois la durée de cuisson écoulée, prolonger la cuisson avant que la cuisson ne soit terminée (voir la section "Durée de cuisson"). Une fois la durée écoulée, le four s'éteint automatiquement.
5. Appuyer sur OFF (arrêt) après avoir terminé.
6. Retirer les aliments du four.

Durée de cuisson

AVERTISSEMENT

Risque d'empoisonnement alimentaire

Ne pas laisser des aliments reposer plus d'une heure avant ou après la cuisson.

Le non-respect de cette instruction peut causer un empoisonnement alimentaire ou une maladie.

Réglage d'une cuisson minutée :

1. Appuyer sur BAKE (cuisson au four), CONVECT BAKE (cuisson au four par convection) ou CONVECT ROAST (rôtissage par convection).
2. Appuyer sur les touches numériques pour entrer une température autre que celle qui est affichée.
3. Appuyer sur COOK TIME (durée de cuisson). Le témoin lumineux de la durée de cuisson du four s'allume.
4. Appuyer sur les touches numériques pour entrer la durée de cuisson.
5. Appuyer sur START (mise en marche). L'affichage présente le compte à rebours de la durée. Lorsque la durée est écoulée, le four s'éteint automatiquement.

La température et/ou la durée peut/peuvent être ajusté(es) en tout temps en répétant les étapes 2 et 3.

6. Appuyer sur OFF (arrêt) pour effacer l'affichage.

REMARQUE : Le réglage de durée de cuisson pour une fonction de cuisson minutée, y compris la fonction de conversion EasyConvect™, peut être ajusté en suivant les étapes précédentes de 3 à 5.

Réglage d'une cuisson minutée différée :

1. Appuyer sur BAKE (cuisson au four), CONVECT BAKE (cuisson au four par convection) ou CONVECT ROAST (rôtissage par convection).
2. Appuyer sur les touches numériques pour entrer une température autre que celle qui est affichée.
3. Appuyer sur COOK TIME (durée de cuisson). Le témoin lumineux de la durée de cuisson du four s'allume.
4. Appuyer sur les touches numériques pour entrer la durée de cuisson.
5. Appuyer sur DELAY START (mise en marche différée). Le témoin lumineux de l'heure de mise en marche/mise en marche différée du four s'allume.
6. Appuyer sur les touches numériques pour entrer le nombre d'heures et/ou de minutes dont on souhaite différer l'heure de mise en marche.
7. Appuyer sur START (mise en marche).

Lorsque l'heure de mise en marche est atteinte, le four s'allume automatiquement. Les réglages de température et/ou de durée peuvent être modifiés en tout temps après avoir appuyé sur Start (mise en marche) en répétant les étapes 2 à 7. Lorsqu'on réinitialise la durée et la température, on doit appuyer sur Start (mise en marche) à mi-chemin entre les étapes 4 et 5 pour pouvoir continuer à effectuer des changements.

Lorsque la durée de cuisson réglée s'achève, le four s'éteint automatiquement.

8. Appuyer sur OFF (arrêt) pour effacer l'affichage.

Levée du pain

La levée du pain prépare la pâte pour la cuisson en activant la levure. Suivre les instructions de la recette comme guide. La levée standard doit être utilisée pour les pâtes fraîches, les pâtes surgelées et pour la première et la deuxième levée. La levée rapide (sur certains modèles) fonctionne à une température légèrement plus élevée que celle de la levée standard et peut être utilisée pour la deuxième levée des pâtes moulées.

Pour faire lever la pâte :

Avant la première levée de pain, placer la pâte dans un saladier légèrement graissé et couvrir sans serrer avec du papier ciré recouvert de shortening. Placer sur la glissière de grille 2 et fermer la porte du four.

REMARQUE : Si la température du four est supérieure à 100°F (38°C), "Refroid four" s'affiche jusqu'à ce que la température soit inférieure à 100°F (38°C).

1. Appuyer sur BREAD PROOF (levée pain) jusqu'à ce que le type de levée souhaité s'affiche ("Stndrd Proof" ou "Rapid Proof"). La fonction Rapid Bread Proofing (levée de pain rapide) est disponible uniquement sur certains modèles.
2. Appuyer sur START (mise en marche).
Laisser la pâte lever jusqu'à ce qu'elle ait presque doublé de volume. La durée de levée du pain peut varier en fonction du type de pâte et de la quantité.
3. Appuyer sur OFF (arrêt) après avoir terminé la levée.

Avant la seconde levée, mettre la pâte en forme, la placer sur la ou les plaques de cuisson et couvrir partiellement. Reprendre le même positionnement et vérifier que les étapes ci-dessus ont bien été suivies. Avant la cuisson au four, retirer la pellicule protectrice.

REMARQUE : Si la température du four est supérieure à 100°F (38°C), l'affichage indique "Refroid four" jusqu'à ce que la température soit inférieure à 100°F (83°C).

ENTRETIEN DE LA CUISINIÈRE

Programme de nettoyage

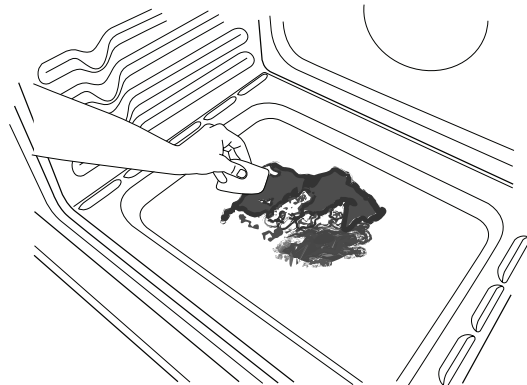


La technologie AquaLift™ est une solution de nettoyage novatrice qui utilise la chaleur et l'eau pour débarrasser le four des produits renversés cuits en moins d'une heure. Cette nouvelle technologie de nettoyage est une alternative à basse température et sans odeurs aux options traditionnelles de nettoyage automatique.

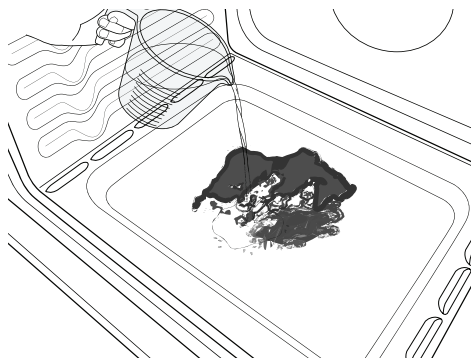
Laisser le four refroidir et atteindre la température ambiante avant d'utiliser le programme de nettoyage. Si la température de la cavité du four est supérieure à 200°F (93°C), "OVEN COOLING" apparaît sur l'afficheur et le programme de nettoyage ne s'activera pas avant que la cavité ait refroidi.

Nettoyage :

1. Retirer toutes les grilles et tous les accessoires de la cavité du four et essuyer l'excès de saleté. Utiliser une spatule en plastique pour enlever les saletés faciles à enlever.



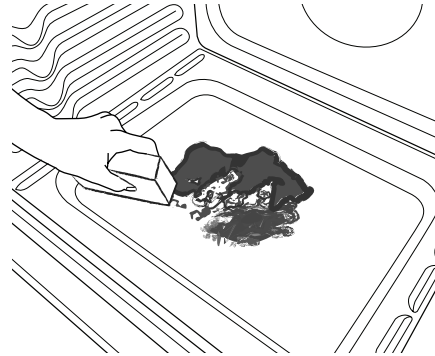
2. Verser 1¾ tasse (14 oz [414 mL]) d'eau distillée ou filtrée dans le fond du four vide et fermer la porte du four.



IMPORTANT : Ne pas utiliser des produits chimiques ou d'autres additifs avec l'eau. Ne pas ouvrir la porte du four au cours du programme de lavage. L'eau au fond du four est chaude.

3. Appuyer sur AQUALIFT SELF CLEAN (autonettoyage AquaLift) et ensuite sur START (mise en marche) sur le tableau de commande du four.
4. Accorder 40 minutes pour le nettoyage et le refroidissement. Un signal sonore vous avertit lorsque le programme de nettoyage est terminé.
5. Appuyer sur OFF (annulation) à la fin du programme. On peut appuyer sur OFF à tout moment pour arrêter le programme de nettoyage.

6. Enlever l'eau résiduelle et les saletés délogées avec une éponge ou un chiffon immédiatement après la fin du programme de nettoyage. La plupart de l'eau initiale contenue dans 1¾ tasse (14 oz [414 mL]) restera dans le four après la fin du programme de nettoyage. S'il reste encore des saletés, laisser une petite quantité d'eau au fond du four pour aider le nettoyage.



7. S'il reste des saletés, les enlever avec une éponge à gratter douce ou une spatule en plastique. Des programmes de nettoyage supplémentaires peuvent être lancés pour aider à se débarrasser des saletés tenaces.

IMPORTANT : Ne pas utiliser de nettoyeurs à four. L'utilisation de produits chimiques, y compris les nettoyeurs à four qu'on trouve sur le marché, ou des spatules métalliques, pourrait causer des dommages permanents à la surface en porcelaine qui se trouve à l'intérieur du four.

REMARQUES :

- La cuisinière doit être d'aplomb de façon à s'assurer que la surface du fond de la cavité du four est couverte par l'eau au début du programme de nettoyage.
- Pour des résultats optimaux, utiliser de l'eau distillée ou filtrée. L'eau du robinet pourrait laisser des dépôts minéraux sur le fond du four.
- Avant d'enlever l'eau résiduelle et les saletés délogées à la fin du programme de nettoyage, insérer un chiffon ou un essuie-tout entre l'extrémité inférieure de la porte du four et l'avant du châssis, afin d'empêcher l'eau de se déverser sur le devant de la cuisinière et le plancher.
- Les saletés cuites à travers plusieurs programmes de cuisson seront plus difficiles à enlever avec le programme de nettoyage.
- Les éponges à gratter non abrasives ou les tampons nettoyeurs en gomme (sans nettoyeurs) peuvent être efficaces pour le nettoyage des parois de la cavité du four, de la porte du four et du fond du four pour les saletés difficiles. Pour de meilleurs résultats, mouiller les tampons et les éponges avant de les utiliser.
- Exécuter un programme de nettoyage supplémentaire pour les saletés tenaces.
- Le nettoyant pour cuisine et appareils ménagers affresh™ et le nettoyant pour table de cuisson affresh™ peuvent être utilisés pour nettoyer le fond du four, ses parois et sa porte lorsque le four a terminé le programme de nettoyage et que sa température est redevenue ambiante. Si l'on utilise le nettoyant pour table de cuisson affresh™, il est recommandé d'essuyer aussi la cavité avec de l'eau distillée. Consulter la section "Accessoires" pour obtenir des renseignements sur la commande.
- Des ensembles de nettoyage technologique AquaLift™ supplémentaires peuvent être obtenus en commandant la pièce numéro W10423113RP. Voir la section "Accessoires" pour plus d'informations.
- Pour obtenir de l'aide concernant la technologie AquaLift™, appeler le 1-877-258-0808 ou visiter notre site Web <http://whr.pl/aqualift>.

Nettoyage général

IMPORTANT : Avant le nettoyage, s'assurer que toutes les commandes sont éteintes et que le four et la table de cuisson sont froids. Toujours suivre les instructions figurant sur les étiquettes des produits de nettoyage. Pour plus de renseignements, vous pouvez consulter la section service à la clientèle à www.kitchenaid.ca.

Du savon, de l'eau et un chiffon doux ou une éponge sont recommandés à moins d'indication contraire.

SURFACES EN ÉMAIL VITRIFIÉ UNIQUEMENT (sur certains modèles)

Les renversements d'aliments contenant des produits acides, tels que vinaigre et tomates, doivent être nettoyés dès que la cuisinière a refroidi. Ces renversements peuvent affecter le fini.

Méthode de nettoyage :

- Nettoyant à vitre, nettoyant doux liquide ou tampon à récurer non abrasif :
Nettoyer doucement autour de la plaque signalétique car le frottement pourrait en effacer les chiffres.
- Nettoyant pour cuisine et appareils ménagers affresh™ - Pièce numéro W10355010 (non fourni) :
Voir la section "Accessoires" pour plus de renseignements.

ACIER INOXYDABLE (sur certains modèles)

REMARQUE : Afin d'éviter d'endommager les surfaces en acier inoxydable, ne pas utiliser de tampons à récurer savonneux, de nettoyants abrasifs, de crème à polir pour table de cuisson, de tampons en laine d'acier, de chiffons de lavage rêches ou d'essuie-tout abrasifs. Les surfaces en acier inoxydable pourraient subir des dommages, même en cas d'utilisation limitée ou non renouvelée.

Méthode de nettoyage :

Frotter dans la direction du grain pour éviter les dommages.

- Nettoyant pour acier inoxydable affresh™ – pièce n° W10355016 (non fournie) :
Voir la section "Accessoires" pour plus de renseignements.

Détergent liquide ou nettoyant tout usage :

Rincer à l'eau propre et sécher avec un chiffon doux sans charpie.

PEINTURE MÉTALLIQUE (sur certains modèles)

Ne pas utiliser de nettoyants abrasifs, de nettoyants avec agent de blanchiment, de produits antirouille, d'ammoniaque ou d'hydroxyde de sodium (soude), car la surface peinte pourrait se tacher.

GRILLES ET CHAPEAUX ÉMAILLÉS

Les renversements d'aliments contenant des produits acides, tels que vinaigre et tomates, doivent être nettoyés dès que la table de cuisson, les grilles et les chapeaux ont refroidi. Ces renversements peuvent affecter le fini.

Pour éviter l'écaillage, ne pas entrechoquer les grilles et les chapeaux ni les frapper contre des surfaces dures telles que les ustensiles en fonte.

Ne pas réinstaller les chapeaux sur les brûleurs lorsqu'ils sont mouillés.

Méthode de nettoyage :

- Ustensile de récurage en plastique non abrasif et nettoyant légèrement abrasif :
Nettoyer dès que la table de cuisson, les grilles et les chapeaux ont refroidi.
- Lave-vaisselle (les grilles seulement et non les chapeaux) :
Utiliser le programme le plus intensif. Les saletés cuites doivent être trempées ou frottées avant d'être placées au lave-vaisselle.
- Nettoyant pour grille et plateau d'égouttement – Pièce numéro 31617A :
Voir la section "Accessoires" pour plus de renseignements.

BRÛLEURS DE SURFACE

- Voir la section "Brûleurs de surface scellés".

COMMANDES DE LA TABLE DE CUISSON

Afin d'éviter d'endommager les commandes de la table de cuisson, ne pas utiliser de laine d'acier, de nettoyants abrasifs ou de nettoyant pour four.

Afin d'éviter tout dommage, ne pas immerger les boutons de commande. Lors de la réinstallation des boutons, s'assurer que chaque bouton est à la position OFF (arrêt).

Sur certains modèles, ne pas enlever les joints sous les boutons.

Méthode de nettoyage :

- Savon et eau :
Tirer les boutons directement hors du tableau de commande pour les enlever.

PLAQUE À FRIRE

Pour éviter d'endommager la surface antiadhésive, ne pas nettoyer la plaque au lave-vaisselle, ou utiliser un tampon de laine d'acier et des nettoyants abrasifs.

Méthode de nettoyage :

- Détergent doux

TABLEAU DE COMMANDE ET EXTÉRIEUR DE LA PORTE DU FOUR

Afin d'éviter d'endommager le tableau de commande, ne pas utiliser de nettoyants abrasifs, de tampons en laine d'acier, de chiffons de lavage rêches ou d'essuie-tout abrasifs.

Méthode de nettoyage :

- Nettoyant à vitre et chiffon doux ou éponge :
Appliquer le nettoyant à vitre sur un chiffon doux ou une éponge, et non pas directement sur le tableau.
- Nettoyant pour cuisine et appareils ménagers affresh™ pièce numéro W10355010 (non fourni) :
Voir la section "Accessoires" pour plus de renseignements.

GRILLES DU FOUR

Méthode de nettoyage :

- Tampon en laine d'acier
- Pour les grilles ternies qui glissent difficilement, appliquer une légère couche d'huile végétale sur les glissières; cela facilitera leur glissement.

TIROIR DE REMISAGE OU TIROIR-RÉCHAUD (sur certains modèles)

S'assurer que le tiroir est froid et vide avant le nettoyage.

Méthode de nettoyage :

- Détergent doux

CAVITÉ DU FOUR

Utiliser régulièrement la technologie AquaLift™ pour nettoyer les renversements dans le four.

Ne pas utiliser de nettoyants à four.

Les renversements alimentaires doivent être nettoyés lorsque le four a refroidi. À des températures élevées, les aliments réagissent avec la porcelaine et cette réaction peut entraîner la formation de taches, d'un film de silice, de piqûres ou de légères taches blanches.

Méthode de nettoyage :

- Programme de nettoyage : Voir la section "Programme de nettoyage".

Lampe du four

La lampe du four est une ampoule standard de 40 watts pour appareil électroménager. Avant le remplacement, s'assurer que le four et la table de cuisson sont froids et que les boutons de commande sont à la position d'arrêt.

Remplacement :

1. Débrancher la cuisinière ou déconnecter la source de courant électrique.


2. Tourner le couvercle en verre de l'ampoule à l'arrière du four dans le sens antihoraire et l'enlever.
3. Tourner l'ampoule dans le sens antihoraire pour l'enlever de la douille.
4. Remplacer l'ampoule et replacer le couvercle de l'ampoule en le tournant dans le sens horaire.
5. Brancher la cuisinière ou reconnecter la source de courant électrique.

DÉPANNAGE

Essayer d'abord les solutions suggérées ici ou consulter notre site Web et la section service à la clientèle pour tenter d'éviter le coût d'une visite de service.

www.kitchenaid.ca

⚠ AVERTISSEMENT



Risque de choc électrique

Brancher sur une prise à 3 alvéoles reliée à la terre.

Ne pas enlever la broche de liaison à la terre.

Ne pas utiliser un adaptateur.

Ne pas utiliser un câble de rallonge.

Le non-respect de ces instructions peut causer un décès, un incendie ou un choc électrique.

PROBLÈME	CAUSES POSSIBLES	SOLUTIONS
Rien ne fonctionne	Le cordon d'alimentation électrique est débranché.	Brancher l'appareil sur une prise à 3 alvéoles reliée à la terre.
	Un fusible domestique est grillé ou le disjoncteur est ouvert.	Remplacer le fusible ou réenclencher le disjoncteur. Si le problème persiste, appeler un électricien.
	Le robinet principal d'arrêt ou de réglage du gaz est à la position fermée.	Voir les instructions d'installation.
	La cuisinière est mal raccordée à la canalisation de gaz.	Contacter un technicien de réparation qualifié ou voir les Instructions d'installation.
Les brûleurs de surface ne fonctionnent pas	Le bouton de commande n'est pas réglé correctement.	Enfoncer le bouton avant de le tourner à un réglage.
	Il y a de l'air dans les conduites de gaz.	Si c'est la première fois que les brûleurs de surface sont utilisés, allumer n'importe quel bouton de brûleur de surface afin de libérer l'air présent dans les canalisations.
	Les orifices du brûleur sont obstrués.	Voir la section "Brûleurs de surface scellés".
Les flammes des brûleurs de surface ne sont pas uniformes, sont de teinte jaune et/ou sont bruyantes	Orifices de brûleur obstrués	Voir la section "Brûleurs de surface scellés".
	Les chapeaux des brûleurs sont mal positionnés.	Voir la section "Brûleurs de surface scellés".
	Conversion inappropriée de la cuisinière	Si l'on utilise du gaz propane, contacter un technicien de service ou consulter la page de couverture pour des renseignements de contact.

PROBLÈME	CAUSES POSSIBLES	SOLUTIONS
Chaleur excessive autour des ustensiles de cuisson sur la table de cuisson	Ustensiles de cuisson n'ayant pas la bonne taille	Les ustensiles de cuisson doivent être centrés au-dessus du brûleur leur fond posé à l'horizontale sur la grille. La flamme doit être réglée de sorte qu'elle ne s'étende pas sur les côtés du plat.
Les résultats de cuisson ne sont pas les résultats prévus	Ustensiles de cuisson inappropriés	Les ustensiles de cuisson idéals doivent avoir un fond plat, des parois droites, un couvercle qui ferme hermétiquement et le matériau doit être d'épaisseur moyenne à forte.
	Le bouton de commande est réglé sur un niveau de chaleur incorrect.	Voir la section "Utilisation de la table de cuisson".
	La cuisinière n'est pas d'aplomb.	Régler l'aplomb de la cuisinière. Voir les instructions d'installation.
Le four ne fonctionne pas	Présence d'air dans les conduites de gaz	Si c'est la première fois que le four est utilisé, allumer n'importe quel bouton de brûleur de surface afin de libérer l'air présent dans les canalisations.
	La commande électronique du four est mal réglée.	Voir la section "Commandes électroniques du four".
	La commande est verrouillée.	Appuyer sur la touche "0" sans la relâcher pendant 3 secondes.
	La cuisinière est en mode de démonstration.	Le mode de démonstration désactivera tous les éléments chauffants. Voir "Mode de démonstration" dans la section "Commandes électroniques du four".
Le ventilateur de convection ne s'allume pas	Le programme de convection se met en route après les 5 premières minutes de fonctionnement.	Ceci est normal. Le ventilateur de convection commencera à fonctionner environ 5 minutes après le début du programme.
	La porte est ouverte.	Si la porte du four est ouverte durant la cuisson par convection, le ventilateur s'éteint immédiatement. Il s'allume à nouveau lorsque la porte du four est fermée.
Les flammes du brûleur du four sont jaunes ou bruyantes	Conversion inappropriée de la cuisinière	Si l'on utilise du gaz propane, contacter un technicien de service ou consulter la page de couverture pour des renseignements de contact.
La température du four est trop élevée ou trop basse	La température du four est mal calibrée.	Voir "Commande de température du four" dans la section "Commandes électroniques du four".
Des messages s'affichent	Panne de courant (l'afficheur indique une heure clignotante)	Effacer l'affichage. Sur certains modèles, régler de nouveau l'horloge au besoin. Voir la caractéristique de touche "Clock" (horloge) à la section "Guide des caractéristiques".
	Code d'erreur (l'afficheur indique une lettre suivie par un numéro)	Appuyer sur OFF (arrêt) pour effacer l'affichage. Voir "Affichage de commande" dans la section "Commandes électroniques du four". S'il réapparaît, faire un appel de service. Voir la page de couverture pour des renseignements de contact.
	Il faut appuyer sur Start (mise en marche) pour qu'un programme commence (l'afficheur indique "PRESS START" (appuyer sur mise en marche)).	Voir la caractéristique de touche "Start" (mise en marche) à la section "Guide des caractéristiques".
Il y a des dépôts minéraux au fond du four après le programme de nettoyage	L'eau du robinet a été utilisée durant le programme de nettoyage.	Utiliser de l'eau distillée ou filtrée pour le programme de nettoyage. Utiliser un chiffon imbibé de vinaigre pour enlever les dépôts. Utiliser ensuite un chiffon humidifié pour complètement enlever tout résidu de vinaigre.
	La cuisinière n'est pas d'aplomb.	Les dépôts minéraux s'accumulent sur les surfaces sèches du fond du four durant le programme de nettoyage. Régler l'aplomb de la cuisinière. Voir les instructions d'installation. Utiliser un chiffon imbibé de vinaigre pour enlever les dépôts. Utiliser ensuite un chiffon humidifié pour complètement enlever tout résidu de vinaigre.

PROBLÈME	CAUSES POSSIBLES	SOLUTIONS
Les résultats de cuisson au four ne sont pas les résultats prévus	La cuisinière n'est pas d'aplomb.	Régler l'aplomb de la cuisinière. Voir les instructions d'installation.
	Le réglage de température était incorrect.	Vérifier la recette dans un livre de recettes fiable.
	La température du four est mal calibrée.	Voir "Commande de température du four" dans la section "Commandes électroniques du four".
	Le four n'a pas été préchauffé.	Voir la section "Cuisson au four et rôtissage".
	Les grilles ont été positionnées de façon inappropriée.	Voir la section "Positionnement des grilles et ustensiles de cuisson au four".
	La circulation d'air est insuffisante autour des ustensiles de cuisson.	Voir la section "Positionnement des grilles et ustensiles de cuisson au four".
	Brunissage plus foncé des aliments entraîné par un ustensile de cuisson terne ou foncé	Baisser la température du four de 25°F (15°C) ou déplacer la grille à un niveau supérieur dans le four.
	Brunissage plus clair des aliments entraîné par un ustensile de cuisson brillant ou clair	Déplacer la grille à un niveau inférieur dans le four.
	Le mélange est distribué de façon inégale dans la casserole.	Vérifier que la pâte est répartie uniformément dans le plat. Régler l'aplomb de la cuisinière au besoin. Voir les Instructions d'installation.
	Une durée de cuisson incorrecte a été utilisée.	Ajuster la durée de cuisson.
	La porte du four n'a pas été fermée.	Vérifier que les ustensiles de cuisson n'empêchent pas la porte de se fermer.
	La porte du four a été ouverte durant la cuisson.	L'ouverture de la porte pour vérifier la cuisson laisse la chaleur du four s'échapper et peut nécessiter des durées de cuisson plus longues.
	La grille est trop proche du brûleur de cuisson au four, ce qui fait que les éléments cuits au four sont trop bruns à la base.	Déplacer la grille à une position plus élevée dans le four.
Les croûtes de tarte brunissent trop tôt.	Utiliser du papier d'aluminium pour couvrir le bord de la croûte et/ou réduire la température de cuisson du four.	

Bruits		
PROBLÈME	CAUSES POSSIBLES	SOLUTIONS
Le brûleur de surface émet des bruits d'éclatement	Le brûleur est mouillé.	Le laisser sécher.
Bruits émis par la cuisinière à gaz lors des opérations de cuisson au four et de cuisson au gril Voici quelques bruits normaux avec des explications.	Ces bruits sont des bruits de fonctionnement normaux qui peuvent survenir chaque fois que les brûleurs de cuisson au four ou de cuisson au gril s'allument au cours du programme.	
Éclatement	Le robinet de gaz s'ouvre ou se met en marche ; un seul bruit d'éclatement retentira lorsqu'il se libère du solénoïde. Le bruit est similaire au bruit de suction qu'émettrait une ventouse que l'on retire d'une surface de verre.	Ceci est normal.
Cliquettement	Les allumeurs émettront plusieurs déclics jusqu'à ce que la flamme soit détectée. Il s'agit de bruits de claquements courts, similaires au bruit d'un ongle tapotant sur une surface de verre.	Ceci est normal.
	Le relais du ventilateur de convection fonctionne par intermittence (sur certains modèles).	Ceci est normal.
Crissement ou pouf	Le brûleur de cuisson au four ou au gril est en train de s'allumer.	Ceci est normal.
Les flammes du brûleur du four sont jaunes ou bruyantes	Conversion inappropriée de la cuisinière	Si l'on utilise du gaz propane, contacter un technicien de service ou consulter la page de couverture pour des renseignements de contact.

ACCESSOIRES

Pour les accessoires, consulter notre site Web www.kitchenaid.com/cookingaccessories.

Nettoyant pour acier inoxydable affresh™

(modèles en acier inoxydable)
Commander la pièce numéro W10355016

Lingettes nettoyantes pour acier inoxydable affresh™

(modèles en acier inoxydable)
Commander la pièce numéro W10355049

Nettoyant pour cuisine et appareils ménagers affresh™

Commander la pièce numéro W10355010

Nettoyant pour table de cuisson affresh™

Commander la pièce numéro W10355051

Ensemble de nettoyage pour four à technologie AquaLift™

Commander la pièce numéro W10423113RP

Nettoyant et poli pour granite

Commander la pièce numéro W10275756

Nettoyant pour grille à gaz et plateau d'égouttement

Commander la pièce numéro 31617A

Grille de four en deux pièces

Commander la pièce numéro W10205524

Grille de four à capacité maximale

Commander la pièce numéro W10289145

Lèchefrite et grille en porcelaine

Commander la pièce numéro 4396923

Lèchefrite et grille de rôtissage de qualité supérieure

Commander la pièce numéro W10123240
www.kitchenaid.com/broilerpan

GARANTIE DE LA CUISINIÈRE À GAZ KITCHENAID®

GARANTIE LIMITÉE

Pendant un an à compter de la date d'achat, lorsque ce gros appareil ménager est utilisé et entretenu conformément aux instructions jointes à ou fournies avec le produit, la marque KitchenAid de Whirlpool Corporation ou Whirlpool Canada LP (ci-après désignées "KitchenAid") paiera pour les pièces spécifiées par l'usine et la main-d'œuvre pour corriger les vices de matériaux ou de fabrication. Le service doit être fourni par une compagnie de service désignée par KitchenAid. Cette garantie limitée est valide uniquement aux États-Unis ou au Canada et s'applique exclusivement lorsque l'appareil est utilisé dans le pays où il a été acheté. À l'extérieur du Canada et des 50 États des États-Unis, cette garantie limitée ne s'applique pas. Une preuve de la date d'achat original est exigée pour obtenir un service dans le cadre de la présente garantie limitée.

GARANTIE LIMITÉE DE LA DEUXIÈME À LA CINQUIÈME ANNÉE INCLUSIVEMENT SUR CERTAINS COMPOSANTS

De la deuxième à la cinquième année inclusivement à compter de la date d'achat, lorsque cet appareil ménager est utilisé et entretenu conformément aux instructions jointes à ou fournies avec le produit, KitchenAid ou KitchenAid Canada paiera pour les pièces spécifiées par l'usine pour les composants suivants, en cas de vices de matériaux ou de fabrication :

- Tout brûleur à gaz
- Pièces du système de commande à semi-conducteurs

ARTICLES EXCLUS DE LA GARANTIE

La présente garantie limitée ne couvre pas :

1. Les visites de service pour rectifier l'installation du gros appareil ménager, montrer à l'utilisateur comment utiliser l'appareil, remplacer ou réparer des fusibles ou rectifier le câblage ou la plomberie du domicile.
2. Les visites de service pour réparer ou remplacer les ampoules électriques de l'appareil, les filtres à air ou les filtres à eau. Les pièces consommables ne sont pas couvertes par la garantie.
3. Les réparations lorsque le gros appareil ménager est utilisé à des fins autres que l'usage unifamilial normal ou lorsque les instructions d'installation et/ou les instructions de l'opérateur ou de l'utilisateur fournies ne sont pas respectées.
4. Les dommages imputables à : accident, modification, usage impropre ou abusif, incendie, inondation, actes de Dieu, installation fautive ou installation non conforme aux codes d'électricité ou de plomberie, ou l'utilisation de pièces consommables ou de produits nettoyants non approuvés par KitchenAid.
5. Les défauts apparents, notamment les éraflures, les bosses, fissures ou tout autre dommage au fini du gros appareil ménager, à moins que ces dommages soient dus à des vices de matériaux ou de fabrication et soient signalés à KitchenAid dans les 30 jours suivant la date d'achat.
6. Les coûts associés au transport du gros appareil ménager du domicile pour réparation. Ce gros appareil ménager est conçu pour être réparé à domicile et seul le service à domicile est couvert par la présente garantie.
7. Les réparations aux pièces ou systèmes résultant d'une modification non autorisée faite à l'appareil.
8. Les frais de transport pour le service d'un produit si votre gros appareil est situé dans une région éloignée où un service d'entretien KitchenAid autorisé n'est pas disponible.
9. La dépose et la réinstallation de votre gros appareil si celui-ci est installé dans un endroit inaccessible ou n'est pas installé conformément aux instructions d'installation fournies.
10. Les gros appareils ménagers dont les numéros de série et de modèle originaux ont été enlevés, modifiés ou qui ne peuvent pas être facilement identifiés. La présente garantie est nulle si le numéro de série d'usine a été modifié ou enlevé du gros appareil ménager.

Le coût d'une réparation ou d'un remplacement dans le cadre de ces circonstances exclues est à la charge du client.

CLAUSE D'EXONÉRATION DE RESPONSABILITÉ AU TITRE DES GARANTIES IMPLICITES; LIMITATION DES RECOURS

LE SEUL ET EXCLUSIF RECOURS DU CLIENT DANS LE CADRE DE LA PRÉSENTE GARANTIE LIMITÉE CONSISTE EN LA RÉPARATION PRÉVUE CI-DESSUS. LES GARANTIES IMPLICITES, Y COMPRIS LES GARANTIES APPLICABLES DE QUALITÉ MARCHANDE ET D'APTITUDE À UN USAGE PARTICULIER, SONT LIMITÉES À UN AN OU À LA PLUS COURTE PÉRIODE AUTORISÉE PAR LA LOI. KITCHENAID N'ASSUME AUCUNE RESPONSABILITÉ POUR LES DOMMAGES FORTUITS OU INDIRECTS. CERTAINES JURIDICTIONS NE PERMETTENT PAS L'EXCLUSION OU LA LIMITATION DES DOMMAGES FORTUITS OU INDIRECTS, OU LES LIMITATIONS DE LA DURÉE DES GARANTIES IMPLICITES DE QUALITÉ MARCHANDE OU D'APTITUDE À UN USAGE PARTICULIER, DE SORTE QUE CES EXCLUSIONS OU LIMITATIONS PEUVENT NE PAS S'APPLIQUER DANS VOTRE CAS. CETTE GARANTIE VOUS CONFÈRE DES DROITS JURIDIQUES SPÉCIFIQUES ET VOUS POUVEZ ÉGALEMENT JOUIR D'AUTRES DROITS QUI PEUVENT VARIER D'UNE JURIDICTION À UNE AUTRE.

Si vous résidez à l'extérieur du Canada et des 50 États des États-Unis, contactez votre marchand KitchenAid autorisé pour déterminer si une autre garantie s'applique.

2/09

Pour des informations supplémentaires sur le produit, visiter www.kitchenaid.ca

Si vous n'avez pas accès à Internet et que vous nécessitez une assistance pendant l'utilisation du produit ou que vous souhaitez prendre un rendez-vous, vous pouvez contacter KitchenAid au numéro ci-dessous.

Préparez votre numéro de modèle au complet. Vous trouverez les numéros de modèle et de série sur l'étiquette située sur le châssis du four, derrière la partie supérieure droite de la porte du four.

Pour assistance ou service au Canada, composez le 1-800-807-6777.

Si vous avez besoin de plus d'assistance, vous pouvez écrire à KitchenAid en soumettant toute question ou problème à l'adresse suivante :

Centre pour l'eXpérience de la clientèle
KitchenAid Canada
200 - 6750 Century Ave.
Mississauga, Ontario L5N 0B7

Dans votre correspondance, veuillez indiquer un numéro de téléphone où l'on peut vous joindre dans la journée.

Veuillez conserver le manuel de l'utilisateur et le numéro de modèle pour référence ultérieure.