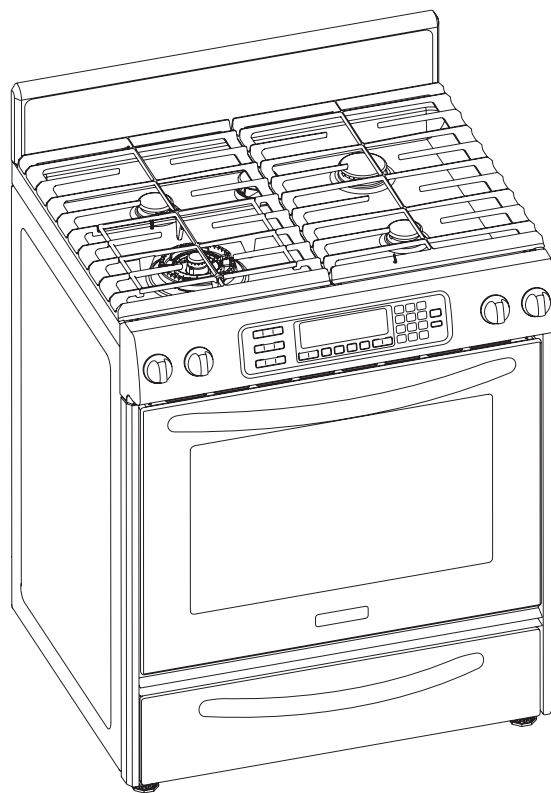
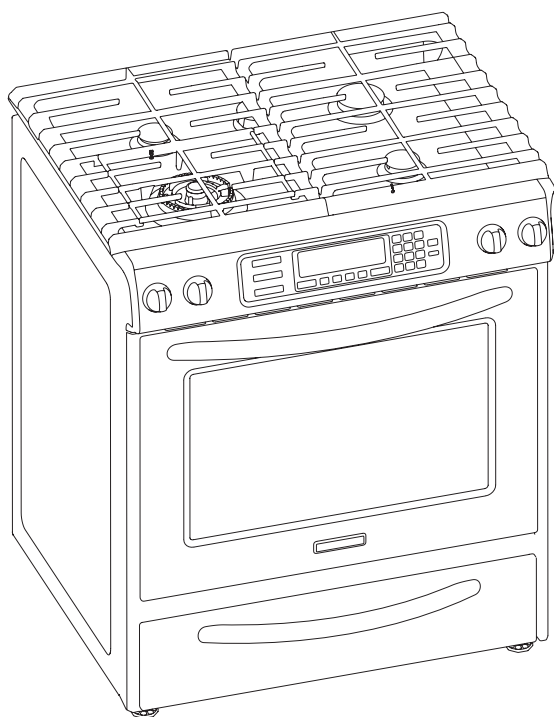

INSTALLATION INSTRUCTIONS 30" (76.2 CM) FREESTANDING AND SLIDE-IN GAS RANGES

INSTRUCTIONS D'INSTALLATION DES CUISINIÈRES À GAZ AUTOPORTANTES ET ENCASTRABLES DE 30" (76,2 CM)

Table of Contents/Table des matières.....2



IMPORTANT:

Save for local electrical inspector's use.

Installer: Leave installation instructions with the homeowner.

Homeowner: Keep installation instructions for future reference.

IMPORTANT :

À conserver pour consultation par l'inspecteur local des installations électriques.

Installateur : Remettre les instructions d'installation au propriétaire.

Propriétaire : Conserver les instructions d'installation pour référence ultérieure.

TABLE OF CONTENTS

RANGE SAFETY2

INSTALLATION REQUIREMENTS4

Tools and Parts4

Location Requirements5

Electrical Requirements8

Gas Supply Requirements8

Countertop Preparation9

INSTALLATION INSTRUCTIONS10

Unpack Range.....10

Measure for Proper Height.....10

Adjust Leveling Legs11

Install Anti-Tip Bracket.....11

Remove Warming or Storage Drawer.....12

Verify Anti-Tip Bracket Is Installed and Engaged12

Level Range.....12

Make Gas Connection13

Electronic Ignition System14

Replace Oven Racks and Warming or Storage Drawer16

Complete Installation16

GAS CONVERSIONS.....17

LP Gas Conversion17

Natural Gas Conversion20

TABLE DES MATIÈRES

SÉCURITÉ DE LA CUISINIÈRE23

EXIGENCES D'INSTALLATION25

Outils et pièces25

Exigences d'emplacement25

Spécifications électriques28

Spécifications de l'alimentation en gaz28

Préparation du plan de travail30

INSTRUCTIONS D'INSTALLATION.....30

Déballage de la cuisinière30

Mesures pour une hauteur appropriée30

Réglage des pieds de nivellement31

Installation de la bride antibasculement31

Retrait du tiroir-réchaud ou du tiroir de remisage32

Vérifier que la bride antibasculement est bien installée et engagée.....33

Réglage de l'aplomb de la cuisinière33

Raccordement à la canalisation de gaz34

Système d'allumage électronique.....35

Réinstallation des grilles du four et du tiroir-réchaud ou du tiroir de remisage37

Achever l'installation38

CONVERSIONS POUR CHANGEMENT DE GAZ.....39

Conversion pour l'alimentation au propane.....39

Conversion pour l'alimentation au gaz naturel42

RANGE SAFETY

Your safety and the safety of others are very important.

We have provided many important safety messages in this manual and on your appliance. Always read and obey all safety messages.



This is the safety alert symbol.

This symbol alerts you to potential hazards that can kill or hurt you and others.

All safety messages will follow the safety alert symbol and either the word "DANGER" or "WARNING."

These words mean:

⚠ DANGER

You can be killed or seriously injured if you don't immediately follow instructions.

⚠ WARNING

You can be killed or seriously injured if you don't follow instructions.

All safety messages will tell you what the potential hazard is, tell you how to reduce the chance of injury, and tell you what can happen if the instructions are not followed.

WARNING: If the information in this manual is not followed exactly, a fire or explosion may result causing property damage, personal injury or death.

- Do not store or use gasoline or other flammable vapors and liquids in the vicinity of this or any other appliance.
- **WHAT TO DO IF YOU SMELL GAS:**
 - Do not try to light any appliance.
 - Do not touch any electrical switch.
 - Do not use any phone in your building.
 - Immediately call your gas supplier from a neighbor's phone. Follow the gas supplier's instructions.
 - If you cannot reach your gas supplier, call the fire department.
- Installation and service must be performed by a qualified installer, service agency or the gas supplier.

WARNING: Gas leaks cannot always be detected by smell.

Gas suppliers recommend that you use a gas detector approved by UL or CSA.

For more information, contact your gas supplier.

If a gas leak is detected, follow the "What to do if you smell gas" instructions.

IMPORTANT: Do not install a ventilation system that blows air downward toward this gas cooking appliance. This type of ventilation system may cause ignition and combustion problems with this gas cooking appliance resulting in personal injury or unintended operation.

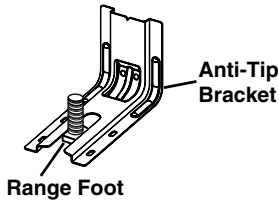
In the State of Massachusetts, the following installation instructions apply:

- Installations and repairs must be performed by a qualified or licensed contractor, plumber, or gasfitter qualified or licensed by the State of Massachusetts.
- If using a ball valve, it shall be a T-handle type.
- A flexible gas connector, when used, must not exceed 3 feet.

⚠ WARNING

Tip Over Hazard

- A child or adult can tip the range and be killed.
- Install anti-tip bracket to floor or wall per installation instructions.
- Slide range back so rear range foot is engaged in the slot of the anti-tip bracket.
- Re-engage anti-tip bracket if range is moved.
- Do not operate range without anti-tip bracket installed and engaged.
- Failure to follow these instructions can result in death or serious burns to children and adults.



To verify the anti-tip bracket is installed and engaged:

- Slide range forward.
- Look for the anti-tip bracket securely attached to floor or wall.
- Slide range back so rear range foot is under anti-tip bracket.
- See installation instructions for details.

INSTALLATION REQUIREMENTS

Tools and Parts

Gather the required tools and parts before starting installation. Read and follow the instructions provided with any tools listed here.

Tools needed

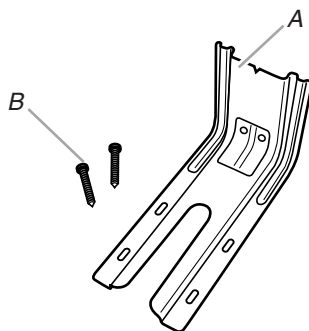
- Tape measure
- Flat-blade screwdriver
- Phillips screwdriver
- Level
- Hand or electric drill
- Hammer
- Wrench or pliers
- Pipe wrench
- $1\frac{5}{16}$ " combination wrench
- $\frac{3}{8}$ " nut driver
- $\frac{1}{8}$ " (3.2 mm) drill bit (for wood floors)
- Marker or pencil
- Masking tape
- Pipe-joint compound resistant to LP gas
- $\frac{3}{16}$ " (4.8 mm) carbide-tipped masonry drill bit (for concrete/ceramic floors)
- Noncorrosive leak-detection solution

For LP/Natural Gas Conversions

- $\frac{1}{2}$ " combination wrench
- 7 mm combination wrench
- 7 mm nut driver
- Size T20® Torx®† screwdriver

Parts supplied

Check that all parts are included.



A. Anti-tip bracket
B. #12 x $1\frac{5}{8}$ " screws (2)

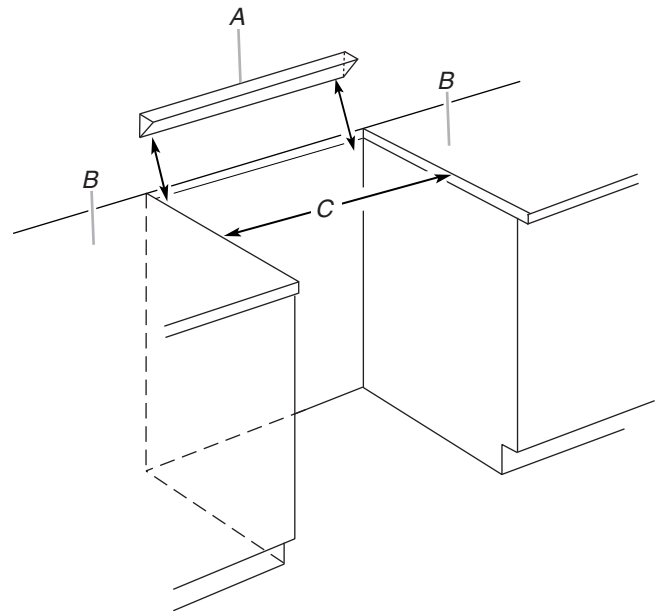
- Anti-tip bracket must be securely mounted to floor or wall. Thickness of flooring may require longer screws to anchor bracket to floor.

Parts needed

Check local codes and consult gas supplier. Check existing gas supply and electrical supply. See "Electrical Requirements" and "Gas Supply Requirements" sections.

Rear Filler Strip (optional)

The filler strip may be used to fill a gap between the rear of the slide-in range and the wall in a freestanding range cutout.



A. Filler strip
B. Countertop
C. Countertop cutout

To order, see the "Assistance or Service" section of the Use and Care Guide. Order Part Number W10113902A (black), W10113903A (white) or W10113904A (biscuit).

†©TORX and T20 are registered trademarks of Saturn Fasteners, Inc.

Location Requirements

IMPORTANT: Observe all governing codes and ordinances. Do not obstruct flow of combustion and ventilation air.

- It is the installer's responsibility to comply with installation clearances specified on the model/serial rating plate. The model/serial rating plate is located inside the oven door on the right-hand side oven door trim.
- The range should be located for convenient use in the kitchen.
- Recessed installations must provide complete enclosure of the sides and rear of the range.
- To eliminate the risk of burns or fire by reaching over heated surface units, cabinet storage space located above the surface units should be avoided. If cabinet storage is to be provided, the risk can be reduced by installing a range hood or microwave hood combination that projects horizontally a minimum of 5" (12.7 cm) beyond the bottom of the cabinets.
- All openings in the wall or floor where range is to be installed must be sealed.
- Do not seal the range to the side cabinets.
- Cabinet opening dimensions that are shown must be used. Given dimensions are minimum clearances.
- The anti-tip bracket must be installed. To install the anti-tip bracket shipped with the range, see "Install Anti-Tip Bracket" section.
- Grounded electrical supply is required. See "Electrical Requirements" section.

- Proper gas supply connection must be available. See "Gas Supply Requirements" section.
- Contact a qualified floor covering installer to check that the floor covering can withstand at least 200°F (93°C).
- Use an insulated pad or ¼" (0.64 cm) plywood under range if installing range over carpeting.

IMPORTANT: To avoid damage to your cabinets, check with your builder or cabinet supplier to make sure that the materials used will not discolor, delaminate or sustain other damage. This oven has been designed in accordance with the requirements of UL and CSA International and complies with the maximum allowable wood cabinet temperatures of 194° (90°C).

Mobile Home - Additional Installation Requirements

The installation of this range must conform to the Manufactured Home Construction and Safety Standard, Title 24 CFR, Part 3280 (formerly the Federal Standard for Mobile Home Construction and Safety, Title 24, HUD Part 280). When such standard is not applicable, use the Standard for Manufactured Home Installations, ANSI A225.1/NFPA 501A or with local codes.

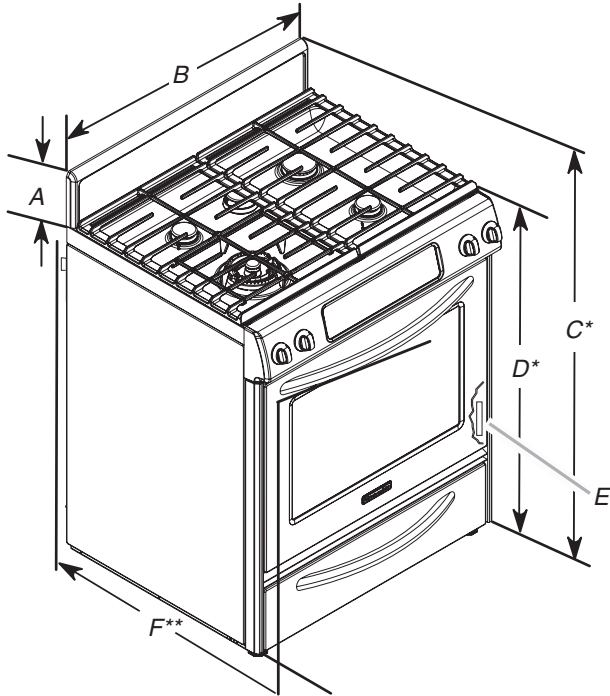
In Canada, the installation of this range must conform with the current standards CAN/CSA-A240-latest edition, or with local codes.

Mobile home installations require:

- When this range is installed in a mobile home, it must be secured to the floor during transit. Any method of securing the range is adequate as long as it conforms to the standards listed above.

Product Dimensions

Freestanding Range



A. 5 $\frac{3}{4}$ " (14.6 cm)

B. 30" (76.2 cm)

C. 41 $\frac{3}{4}$ " (106 cm) overall height with leveling legs screwed all the way in*

D. 36" (91.4 cm) cooktop trim height with leveling legs screwed all the way in*

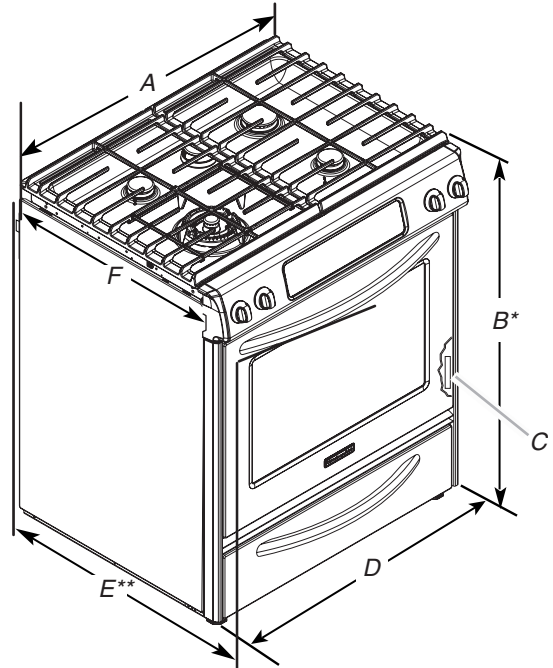
E. Model/serial number plate (located on the right-hand side oven door trim)

F. 27 $\frac{1}{4}$ " (69.2 cm) max. from handle to standoff at back of range**

*Range can be raised approximately 1" (2.5 cm) by adjusting the leveling legs.

**When installed in a 24" (61 cm) base cabinet with 25" (63.5 cm) countertop; front of oven door protrudes 1" (2.5 cm) beyond 24" (61 cm) base cabinet.

Slide-in Range



A. 30 $\frac{1}{16}$ " (77.6 cm)

B. 35 $\frac{5}{8}$ " (90.5 cm) height to underside of cooktop edge with leveling legs screwed all the way in*

C. Model/serial number plate (located on the right-hand side oven door trim)

D. 30" (76.2 cm)

E. 27 $\frac{1}{4}$ " (69.2 cm) (27 $\frac{1}{16}$ " [70.3 cm] on models KGRS807XSP and KGSS907XSP) from handle to standoff at back of range**

F. 23" (58.4 cm) countertop notch to rear of cooktop

*Range can be raised approximately 1" (2.5 cm) by adjusting the leveling legs.

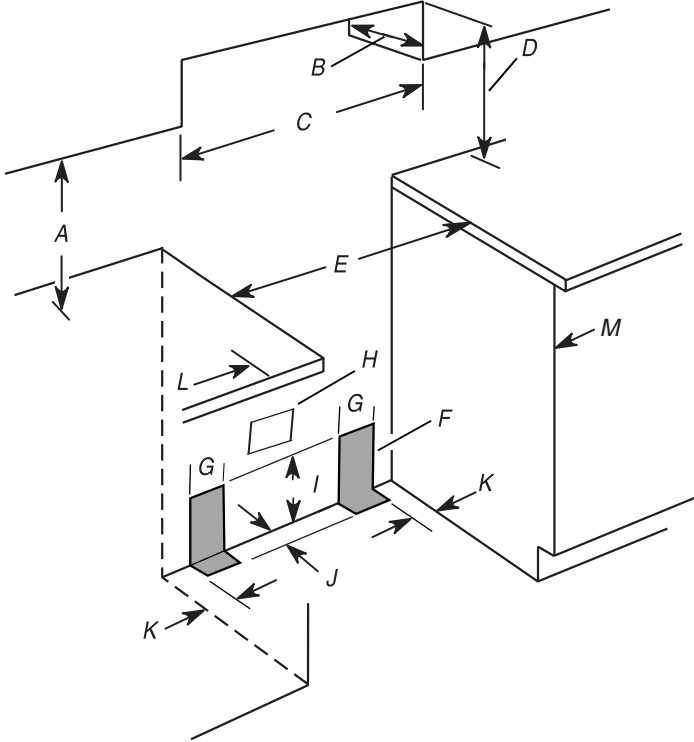
**When installed in a 24" (61.0 cm) base cabinet with 25" (63.5 cm) countertop; front of oven door protrudes 1 $\frac{3}{4}$ " (4.4 cm) (2 $\frac{3}{16}$ " [5.5 cm] on models KGRS807XSP and KGSS907XSP) beyond 24" (61.0 cm) base cabinet.

Installation Clearances

Cabinet opening dimensions shown are for 25" (64 cm) countertop depth, 24" (61 cm) base cabinet depth and 36" (91.4 cm) countertop height.

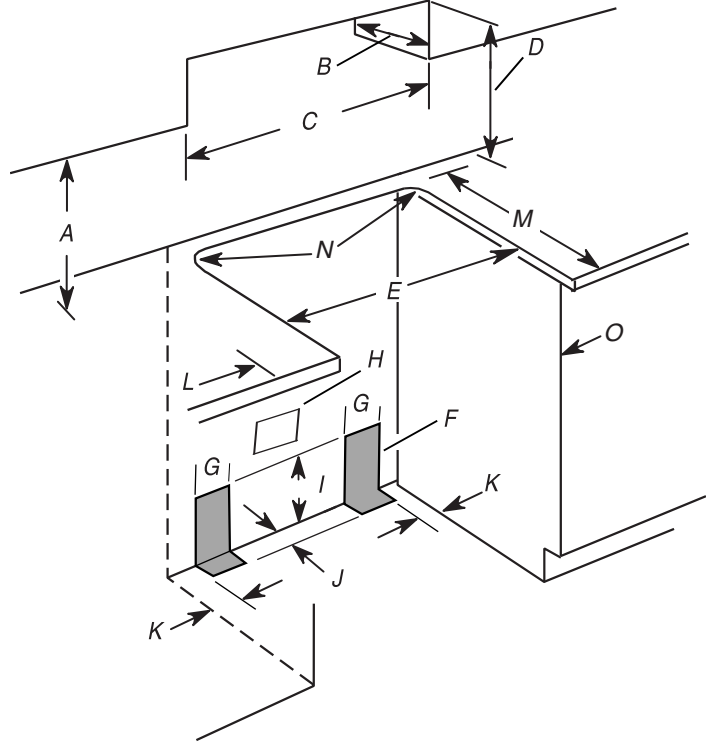
IMPORTANT: If installing a range hood or microwave hood combination above the range, follow the range hood or microwave hood combination installation instructions for dimensional clearances above the cooktop surface.

Freestanding Ranges



- A. 18" (45.7 cm) upper cabinet to countertop
- B. 13" (33 cm) upper cabinet depth
- C. 30" (76.2 cm) min. opening width
- D. For minimum clearance to top of the cooktop, see NOTE.
- E. 30" (76.2 cm) min. opening width
- F. This shaded area recommended for installation of rigid gas pipe.
- G. 6" (15.2 cm) available area for gas and electric installation
- H. Grounded outlet
- I. 7" (17.8 cm)
- J. 1 1/2" (3.8 cm)
- K. 4 1/2" (11.4 cm)
- L. 5" (12.7 cm) min. clearance from both sides of the range to the side wall or other combustible material.
- M. Cabinet door or hinge should not extend into the cutout.

Slide-In Ranges



- A. 18" (45.7 cm) upper cabinet to countertop
- B. 13" (33 cm) max. upper cabinet depth
- C. 30" (76.2 cm) min. opening width
- D. For minimum clearance to top of the cooktop, see NOTE.
- E. 30" (76.2 cm) min. opening width
- F. This shaded area recommended for installation of rigid gas pipe.
- G. 6" (15.2 cm) available area for gas and electric installation
- H. Grounded outlet
- I. 7" (17.8 cm)
- J. 1 1/2" (3.8 cm)
- K. 4 1/2" (11.4 cm)
- L. 5" (12.7 cm) min. clearance from both sides of the range to the side wall or other combustible material for models KGSS907 and KGRS807.
- M. 22 15/16" (58.3 cm) opening depth
- N. 3/4" (1.9 cm) radius both corners
- O. Cabinet door or hinge should not extend into the cutout.

NOTE: 24" (61 cm) minimum when bottom of wood or metal cabinet is covered by not less than 1/4" (0.64 cm) flame retardant millboard covered with not less than No. 28 MSG sheet steel, 0.015" (0.4 mm) stainless steel, 0.024" (0.6 mm) aluminum or 0.020" (0.5 mm) copper.

30" (76.2 cm) minimum clearance between the top of the cooking platform and the bottom of an uncovered wood or metal cabinet.

Electrical Requirements

⚠ WARNING



Electrical Shock Hazard

Plug into a grounded 3 prong outlet.

Do not remove ground prong.

Do not use an adapter.

Do not use an extension cord.

Failure to follow these instructions can result in death, fire, or electrical shock.

IMPORTANT: The range must be electrically grounded in accordance with local codes and ordinances, or in the absence of local codes, with the National Electrical Code, ANSI/NFPA 70 or Canadian Electrical Code, CSA C22.1.

This range is equipped with an electronic ignition system that will not operate if plugged into an outlet that is not properly polarized. If codes permit and a separate ground wire is used, it is recommended that a qualified electrical installer determine that the ground path is adequate.

A copy of the above code standards can be obtained from:

National Fire Protection Association
1 Batterymarch Park
Quincy, MA 02169-7471

CSA International
8501 East Pleasant Valley Road
Cleveland, OH 44131-5575

- A 120 volt, 60 Hz., AC only, 15-amp fused, electrical circuit is required. A time-delay fuse or circuit breaker is also recommended. It is recommended that a separate circuit serving only this range be provided.
- Electronic ignition systems operate within wide voltage limits, but proper grounding and polarity are necessary. Check that the outlet provides 120-volt power and is correctly grounded.
- The wiring diagram is located on the underside of the storage drawer or below the warming drawer in a clear plastic bag.

NOTE: The metal chassis of the range must be grounded in order for the control panel to work. If the metal chassis of the range is not grounded, no keypads will operate. Check with a qualified electrician if you are in doubt as to whether the metal chassis of the range is grounded.

Gas Supply Requirements

⚠ WARNING



Explosion Hazard

Use a new CSA International approved gas supply line.

Install a shut-off valve.

Securely tighten all gas connections.

If connected to LP, have a qualified person make sure gas pressure does not exceed 14" (36 cm) water column.

Examples of a qualified person include:

licensed heating personnel,
authorized gas company personnel, and
authorized service personnel.

Failure to do so can result in death, explosion, or fire.

Observe all governing codes and ordinances.

IMPORTANT: This installation must conform with all local codes and ordinances. In the absence of local codes, installation must conform with American National Standard, National Fuel Gas Code ANSI Z223.1 - latest edition or CAN/CGA B149 - latest edition.

IMPORTANT: Leak testing of the range must be conducted according to the manufacturer's instructions.

Type of Gas

Natural gas:

This range is design-certified by CSA International for use with Natural gas or, after proper conversion, for use with LP gas.

- This range is factory set for use with Natural gas. See the "Gas Conversions" section. The model/serial rating plate located behind the storage drawer on the right-hand side oven frame has information on the types of gas that can be used. If the types of gas listed do not include the type of gas available, check with the local gas supplier.

LP gas conversion:

Conversion must be done by a qualified service technician.

No attempt shall be made to convert the appliance from the gas specified on the model/serial rating plate for use with a different gas without consulting the serving gas supplier. See the "Gas Conversions" section.

Gas Supply Line

- Provide a gas supply line of 3/4" (1.9 cm) rigid pipe to the range location. A smaller size pipe on longer runs may result in insufficient gas supply. With LP gas, piping or tubing size can be 1/2" (1.3 cm) minimum. Usually, LP gas suppliers determine the size and materials used in the system.

NOTE: Pipe-joint compounds that resist the action of LP gas must be used. Do not use TEFLON^{®†} tape.

†TEFLON is a registered trademark of E.I. Du Pont De Nemours and Company.

Flexible metal appliance connector:

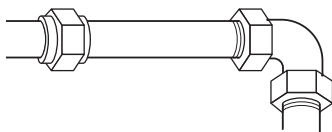
- If local codes permit, a new CSA design-certified, 4 to 5 ft (122 to 152.4 cm) long, ½" (1.3 cm) or ¾" (1.9 cm) I.D., flexible metal appliance connector may be used for connecting range to the gas supply line.



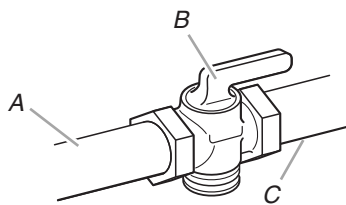
- A ½" (1.3 cm) male pipe thread is needed for connection to the female pipe threads of the inlet to the appliance pressure regulator.
- Do not kink or damage the flexible metal tubing when moving the range.

Rigid pipe connection:

The rigid pipe connection requires a combination of pipe fittings to obtain an in-line connection to the range. The rigid pipe must be level with the range connection. All strains must be removed from the supply and fuel lines so range will be level and in line.



- Must include a shutoff valve:
The supply line must be equipped with a manual shutoff valve. This valve should be located in the same room but external to the range opening, such as an adjacent cabinet. It should be in a location that allows ease of opening and closing. Do not block access to shutoff valve. The valve is for turning on or shutting off gas to the range.



A. Gas supply line
B. Shutoff valve "open" position
C. To range

Gas Pressure Regulator

The gas pressure regulator supplied with this range must be used. The inlet pressure to the regulator should be as follows for proper operation:

Natural gas:

Minimum pressure: 5" WCP
Maximum pressure: 14" WCP

LP gas:

Minimum pressure: 11" WCP
Maximum pressure: 14" WCP

Contact local gas supplier if you are not sure about the inlet pressure.

Burner Input Requirements

Input ratings shown on the model/serial rating plate are for elevations up to 2,000 ft (609.6 m).

For elevations above 2,000 ft (609.6 m), ratings are reduced at a rate of 4% for each 1,000 ft (304.8 m) above sea level (not applicable for Canada).

Gas Supply Pressure Testing

Gas supply pressure for testing regulator must be at least 1" water column pressure above the manifold pressure shown on the model/serial rating plate.

Line pressure testing above ½ psi gauge (14" WCP)

The range and its individual shutoff valve must be disconnected from the gas supply piping system during any pressure testing of that system at test pressures in excess of ½ psi (3.5 kPa).

Line pressure testing at ½ psi gauge (14" WCP) or lower

The range must be isolated from the gas supply piping system by closing its individual manual shutoff valve during any pressure testing of the gas supply piping system at test pressures equal to or less than ½ psi (3.5 kPa).

Countertop Preparation

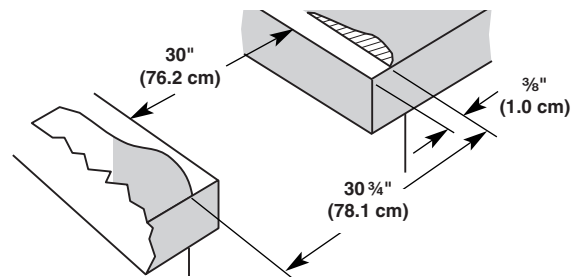
(for Slide-in Ranges Only)

The cooktop sides of the slide-in range fit over the cutout edge of your countertop.

If you have a square finish (flat) countertop and the opening width is 30" (76.2 cm), no countertop preparation is required.

Formed front-edged countertops must have molded edge shaved flat ⅜" (1.0 cm) from each front corner of opening.

Tile countertops may need trim cut back ⅜" (1.0 cm) from each front corner and/or rounded edge flattened.



If countertop opening width is greater than 30" (76.2 cm), adjust the ⅜" (1.0 cm) dimension.

Countertop must be level. Place level on countertop, first side to side, then front to back. If countertop is not level, range will not be level. Range must be level for satisfactory baking conditions.

INSTALLATION INSTRUCTIONS

Unpack Range

⚠ WARNING

Excessive Weight Hazard

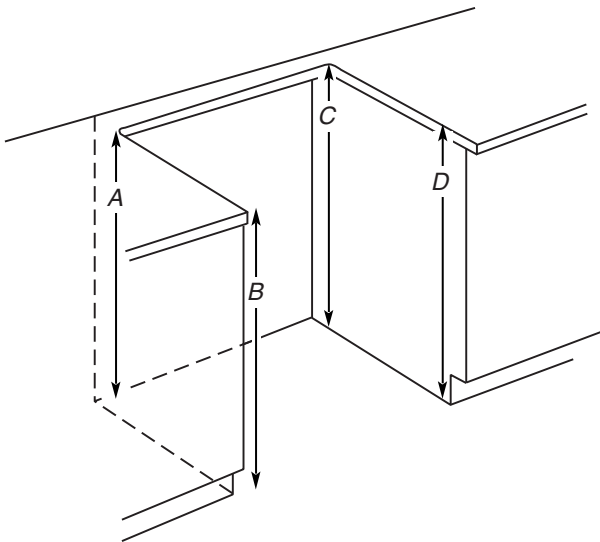
**Use two or more people to move and install range.
Failure to do so can result in back or other injury.**

1. Remove shipping materials, tape and film from the range. Keep cardboard bottom under range. Remove oven racks and parts package from inside oven.
2. To place range on its back, take 4 cardboard corners from the carton. Stack one cardboard corner on top of another. Repeat with the other 2 corners. Place them lengthwise on the floor behind the range to support the range when it is laid on its back. Using 2 or more people, firmly grasp the range and gently lay it on its back on the cardboard corners.

Measure for Proper Height

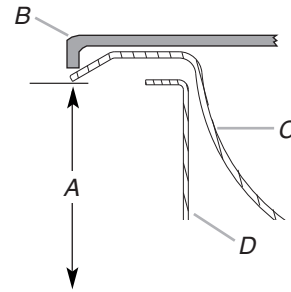
Slide-In Ranges:

1. Measure the distance of the countertop to the floor. Measure at all 4 locations corresponding to the 4 corners of the underside of the range cooktop, as shown.



Measure at locations marked A, B, C, D.

2. Measure from the floor to the underside of the range cooktop.

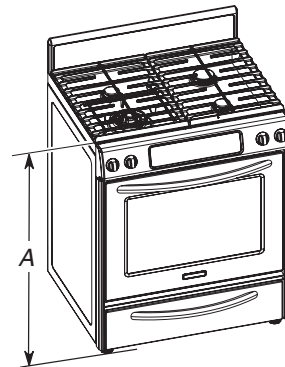


A. Distance from the floor to underside of range cooktop
B. Grate
C. Cooktop surface
D. Range side frame

3. Your leveling height will be the difference between the 2 measurements you have just taken.

Freestanding Ranges:

1. Measure the distance of the countertop to the floor.
2. Measure from the top of the range cooktop trim to the floor.



A. Distance from the top of the range cooktop trim to the floor

3. Your leveling height will be the difference between the 2 measurements you have just taken.

Adjust Leveling Legs

1. If range height adjustment is necessary, use a wrench or pliers to loosen the 4 leveling legs.

This may be done with the range on its back or with the range supported on 2 legs after the range has been placed back to a standing position.

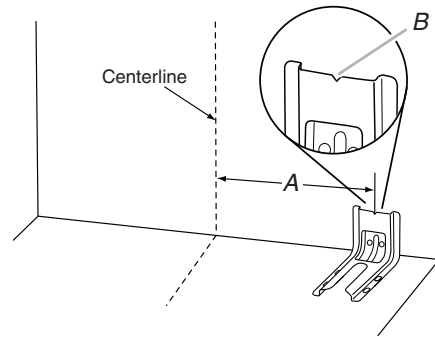
NOTE: To place range back up into a standing position, put a sheet of cardboard or hardboard in front of range. Using 2 or more people, stand range back up onto the cardboard or hardboard.

2. Adjust the leveling legs to the correct height. Leveling legs can be loosened to add up to a maximum of 1" (2.5 cm). A minimum of $\frac{3}{16}$ " (5.0 mm) is needed to engage the anti-tip bracket.

NOTE: If height adjustment is made when range is standing, tilt the range back to adjust the front legs, then tilt forward to adjust the rear legs.

3. When the range is at the correct height, check that there is adequate clearance under the range for the anti-tip bracket. Before sliding range into its final location, check that the anti-tip bracket will slide under the range and onto the rear leveling leg prior to anti-tip bracket installation.

3. Determine and mark the centerline of the cutout space. The mounting can be installed on either the left side or right side of the cutout. Position the mounting bracket against the wall in the cutout so that the V-notch in the bracket is $13\frac{13}{64}$ " (33.6 cm) from the centerline as shown.

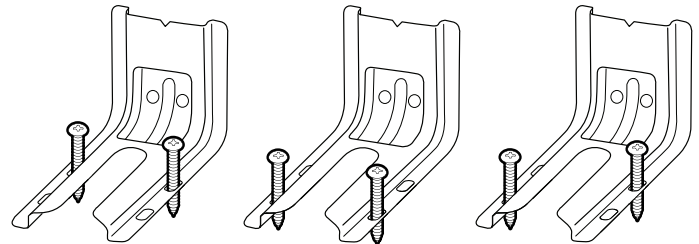


A. $13\frac{13}{64}$ " (33.6 cm)

B. Bracket V-notch

4. Drill two $\frac{1}{8}$ " (3 mm) holes that correspond to the bracket holes of the determined mounting method. See the following illustrations.

Floor Mounting

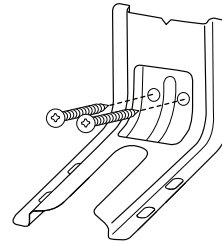


Rear position

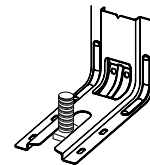
Front position

Diagonal (2 options)

Wall Mounting



5. Using a Phillips screwdriver, mount the anti-tip bracket to the wall or floor with two #12 x $1\frac{5}{8}$ " screws provided.
6. Move the range close enough to the opening to allow for final gas and electrical connections. Remove the shipping base, cardboard or hardboard from under the range.
7. Move the range into its final location, making sure the rear leveling leg slides into the anti-tip bracket.



8. Move the range forward onto shipping base, cardboard or hardboard to continue installing the range using the following installation instructions.

Install Anti-Tip Bracket

⚠ WARNING



Tip Over Hazard

A child or adult can tip the range and be killed.

Install anti-tip bracket to floor or wall per installation instructions.

Slide range back so rear range foot is engaged in the slot of the anti-tip bracket.

Re-engage anti-tip bracket if range is moved.

Do not operate range without anti-tip bracket installed and engaged.

Failure to follow these instructions can result in death or serious burns to children and adults.

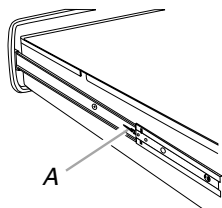
1. Remove the anti-tip bracket from where it is taped inside the storage drawer or warming drawer.
2. Determine which mounting method to use: floor or wall.
If you have a stone or masonry floor, you can use the wall mounting method. If you are installing the range in a mobile home, you must secure the range to the floor.

Remove Warming or Storage Drawer

Remove the warming or storage drawer to gain access to the lower section of the range. This will be necessary for some of the following installation steps.

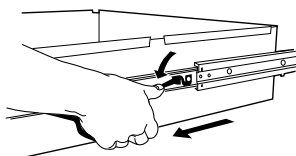
To Remove Warming Drawer:

1. Open drawer to its fully open position.
2. Locate the black loops on both sides of the drawer.



A. Loop

3. Pull both loops forward at the same time, then pull drawer out another inch.



4. Holding the drawer by its sides, not its front, gently pull it all the way out.

To Remove Storage Drawer:

1. Pull drawer straight out to the first stop.
2. Lift up the back of the drawer and pull out.

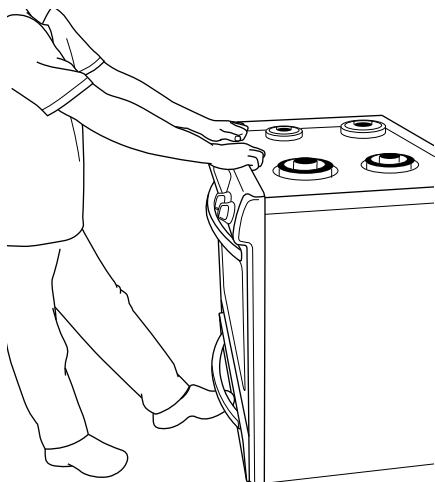
Verify Anti-Tip Bracket Is Installed and Engaged

On models with a storage drawer:

1. Remove the storage drawer. See "Storage Drawer" section.
2. Use a flashlight to look underneath the bottom of the range.
3. Visually check that the rear range foot is inserted into the slot of the anti-tip bracket.

On models with a warming drawer:

1. Place your foot against the bottom front of the warming drawer and grasp the lower right or left side of the control panel as shown.



2. Slowly attempt to tilt the range forward.
If you encounter immediate resistance, the range foot is engaged in the anti-tip bracket.
3. If the rear of the range lifts more than 1/2" (1.3 cm) off the floor without resistance, stop tilting the range and lower it gently back to the floor. The range foot is not engaged in the anti-tip bracket.

IMPORTANT: If there is a snapping or popping sound when lifting the range, the range may not be fully engaged in the bracket. Check to see if there are obstructions keeping the range from sliding to the wall or keeping the range foot from sliding into the bracket. Verify that the bracket is held securely in place by the mounting screws.

4. Slide the range forward, and verify that the anti-tip bracket is securely attached to the floor or wall.
5. Slide range back so the rear range foot is inserted into the slot of the anti-tip bracket.

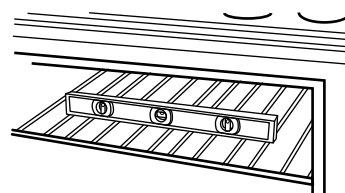
IMPORTANT: If the back of the range is more than 2" (5.1 cm) from the mounting wall, the rear range foot may not engage the bracket. Slide the range forward and determine if there is an obstruction between the range and the mounting wall. Changes to the gas supply must be performed by a qualified service technician. If you need assistance or service, refer to the "Assistance or Service" section of the Use and Care Guide, or the cover or "Warranty" section of the User Instructions, for contact information.

6. Repeat steps 1 and 2 to ensure that the range foot is engaged in the anti-tip bracket.

If the rear of the range lifts more than 1/2" (1.3 cm) off the floor without resistance, the anti-tip bracket may not be installed correctly. Do not operate the range without anti-tip bracket installed and engaged. Please reference the "Assistance or Service" section of the Use and Care Guide, or the cover or "Warranty" section of the User Instructions, to contact service.

Level Range

1. Place a rack in oven.
2. Place level on rack and check levelness of range, first side to side; then front to back.



3. If range is not level, pull range forward until rear leveling leg is removed from the anti-tip bracket.

On Ranges Equipped with Storage Drawers:

Use a 1/4" drive ratchet, wrench or pliers to adjust leveling legs up or down until the range is level. Push range back into position. Check that rear leveling leg is engaged in the anti-tip bracket.

On Ranges Equipped with Warming Drawers:

Use a wrench or pliers to adjust leveling legs up or down until the range is level. Push range back into position. Check that rear leveling leg is engaged in the anti-tip bracket.

NOTE: Range must be level for satisfactory baking performance.

Make Gas Connection

⚠ WARNING



Explosion Hazard

Use a new CSA International approved gas supply line.

Install a shut-off valve.

Securely tighten all gas connections.

If connected to LP, have a qualified person make sure gas pressure does not exceed 14" (36 cm) water column.

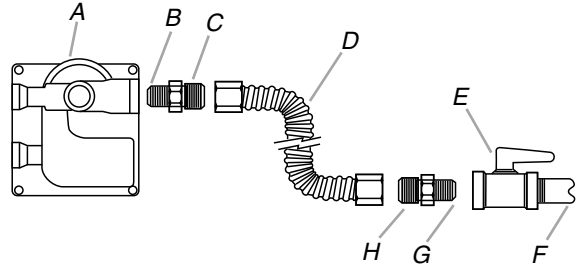
Examples of a qualified person include:

**licensed heating personnel,
authorized gas company personnel, and
authorized service personnel.**

Failure to do so can result in death, explosion, or fire.

Typical flexible connection

1. Apply pipe-joint compound made for use with LP gas to the smaller thread ends of the flexible connector adapters (see B and G in the following illustration).
2. Attach one adapter to the gas pressure regulator and the other adapter to the gas shutoff valve. Tighten both adapters.
3. Use a $1\frac{5}{16}$ " combination wrench and channel lock pliers to attach the flexible connector to the adapters. Check that connector is not kinked.



A. Gas pressure regulator

B. Use pipe-joint compound.

C. Adapter (must have $\frac{1}{2}$ " male pipe thread)

D. Flexible connector

E. Manual gas shutoff valve

F. $\frac{1}{2}$ " or $\frac{3}{4}$ " gas pipe

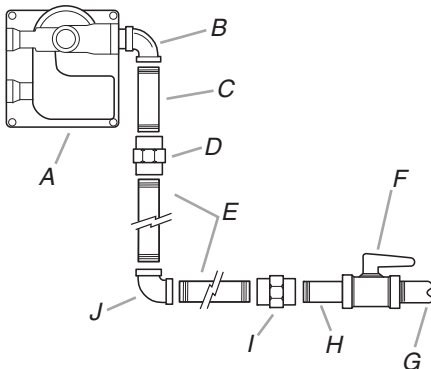
G. Use pipe-joint compound.

H. Adapter

Typical rigid pipe connection

A combination of pipe fittings must be used to connect the range to the existing gas line. Your connections may be different, according to the supply line type, size and location.

1. Apply pipe-joint compound made for use with LP gas to all pipe thread connections.
2. Using a pipe wrench to tighten, connect the gas supply to the range.



A. Gas pressure regulator

B. 90° elbow (must have $\frac{1}{2}$ " male pipe thread)

C. Nipple

D. Union

E. Black iron pipe

F. Manual gas shutoff valve

G. $\frac{1}{2}$ " or $\frac{3}{4}$ " gas pipe

H. Nipple

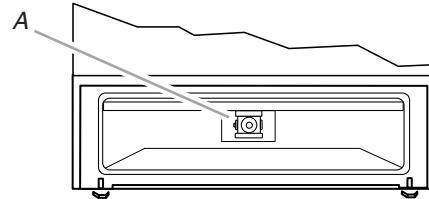
I. Union

J. 90° elbow

Complete Connection

1. Locate gas pressure regulator at rear of storage or warming drawer compartment.

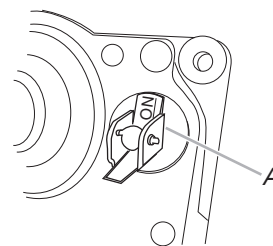
NOTE: On models with a warming drawer, an access cover must be removed from the gas pressure regulator.



A. Gas pressure regulator

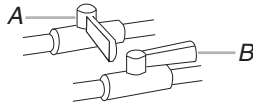
IMPORTANT: Do not remove the gas pressure regulator.

2. Check that the gas pressure regulator shutoff valve is in the "ON" position. The valve is on when the lever is parallel to the floor.



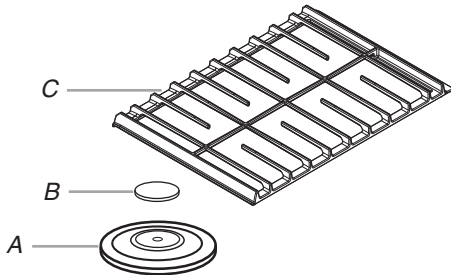
A. Gas pressure regulator shutoff valve

- Open the manual shutoff valve in the gas supply line. The valve is open when the handle is parallel to the gas pipe.



A. Closed valve
B. Open valve

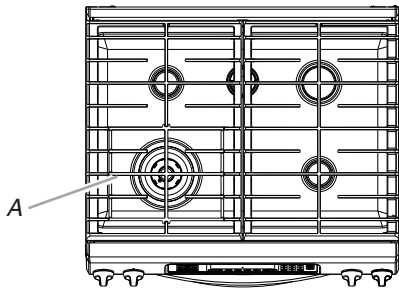
- Test all connections by brushing on an approved noncorrosive leak-detection solution. If bubbles appear, a leak is indicated. Correct any leak found.
- Remove cooktop burner caps and grates from parts package. Align notches in burner caps with pins in burner base. Burner caps should be level when properly positioned. If burner caps are not properly positioned, surface burners will not light.



A. Burner base
B. Burner cap
C. Burner grate

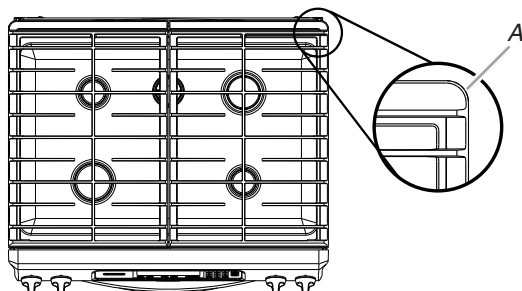
- Place burner grates over burners and caps as shown in the following illustration. When properly installed the grates should not overlap the console.

Freestanding Models



A. Opening in grate for wok insert to be located over left front burner

Slide-In Models



A. Large flange with rounded corner must be at rear corner of the cooktop.

⚠ WARNING



Electrical Shock Hazard

Plug into a grounded 3 prong outlet.

Do not remove ground prong.

Do not use an adapter.

Do not use an extension cord.

Failure to follow these instructions can result in death, fire, or electrical shock.

- Plug into a grounded 3 prong outlet.

Electronic Ignition System

Initial lighting and gas flame adjustments

Cooktop and oven burners use electronic igniters in place of standing pilots. When the cooktop control knob is turned to the "LITE" position, the system creates a spark to light the burner. This sparking continues as long as the control knob is turned to "LITE."

When the oven control is turned to the desired setting, sparking occurs and ignites the gas.

Check Operation of Cooktop Burners

Standard Surface Burners

Push in and turn each control knob to the "LITE" position.

The flame should light within 4 seconds. The first time a burner is lit, it may take longer than 4 seconds to light because of air in the gas line.

TripleTier® Flame Burner

To start simmer burner:

Push in and turn control knob to "LITE" to start the inner burner.

The flame should light within 4 seconds. The first time a burner is lit, it may take longer than 4 seconds to light because of air in the gas line.

To start power burner:

Push in control knob again and turn to "POWER BURNER HI" (turn control knob to DUAL HI on model KGSS907XSP) to light the outer burner.

The flame should light within 4 seconds. The first time a burner is lit, it may take longer than 4 seconds to light because of air in the gas line.

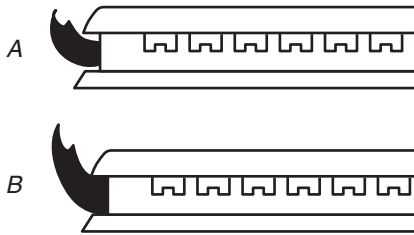
If burners do not light properly:

- Turn cooktop control knob to the "OFF" position.
- Check that the range is plugged in and the circuit breaker has not tripped or the household fuse has not blown.
- Check that the gas shutoff valves are set to the "open" position.
- Check that burner caps are properly positioned on burner bases.

Repeat start-up. If a burner does not light at this point, turn the control knobs to "OFF" and contact your dealer or authorized service company for assistance.

Adjust Flame Height

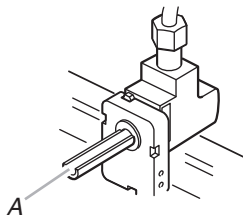
Adjust the height of top burner flames. The cooktop “low” burner flame should be a steady blue flame approximately $\frac{1}{4}$ " (0.64 cm) high.



A. Low flame
B. High flame

To adjust standard burners:

The flame can be adjusted using the adjustment screw in the center of the valve stem. The valve stem is located directly underneath the control knob.



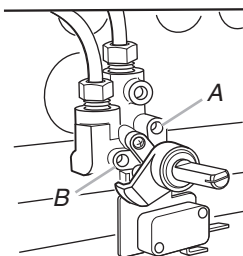
A. Valve stem

If the “low” flame needs to be adjusted:

1. Remove the control knob.
2. Hold the knob stem with a pair of pliers. Use a small flat-blade screwdriver to turn the screw located in the center of the control knob stem until the flame is the proper size.
3. Replace the control knob.
4. Test the flame by turning the control from “LO” to “HI,” checking the flame at each setting.

To adjust TripleTier® Flame burner:

1. Remove the control knob.
2. Insert a flat-blade screwdriver into adjustment locations shown in the following illustration and engage the slotted screw. Turn the screw until the flame is the proper size.



A. Simmer burner regulation
B. Power burner regulation

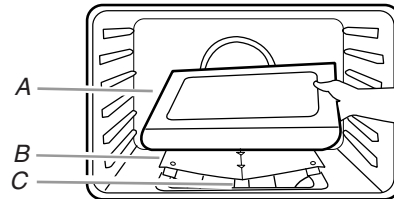
3. Replace the control knob.
4. Test the flame by turning the control from “LO” to “HI,” checking the flame at each setting.

Check Operation of Oven Bake Burner

1. Remove the oven rack. Remove the bake burner cover and place it on a covered surface.
2. Push the BAKE pad. Default temperature appears in the temperature display.
3. Press the START pad. “Preheating” and “Lo” (or actual temperature) will appear in the temperature display.

The oven bake burner should light within 8 seconds. Under certain conditions it may take the burner up to 50 to 60 seconds to light.

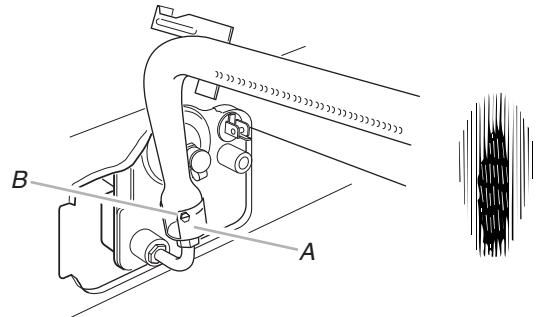
Electronic igniters are used to light the bake and broil burners.



A. Oven bake burner cover
B. Flame spreader
C. Oven bake burner

Adjust Oven Bake Flame (if needed)

1. Remove access cover plate (2 screws) located on the upper wall, inside the storage or warming drawer compartment.
2. Check the oven bake burner for proper flame.
This flame should have a $\frac{1}{2}$ " (1.3 cm) long inner cone of bluish-green, with an outer mantle of dark blue, and should be clean and soft in character. No yellow tips, blowing or lifting of flame should occur.
3. If the oven bake flame needs to be adjusted, locate the air shutter near the center rear of the range. Use a flat-blade screwdriver to loosen the locking screw. Rotate the air shutter until the proper flame appears. Tighten locking screw.

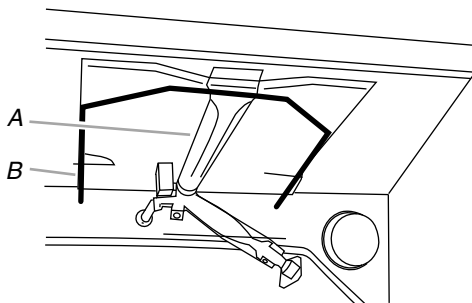


A. Air shutter
B. Locking screw

4. Push CANCEL/OFF pad.
5. Reinstall oven bake burner access plate.

Check Operation of Oven Broil Burner

1. Close the oven door.
2. Press the BROIL pad. "FULL BROIL" and broil temperature will appear in the temperature display.
3. Press the START pad. "ON" indicator will light.
The oven burner should light within 8 seconds, under certain conditions it may take the burner up to 50 to 60 seconds to light. On some models, an electric halo element also turns on.

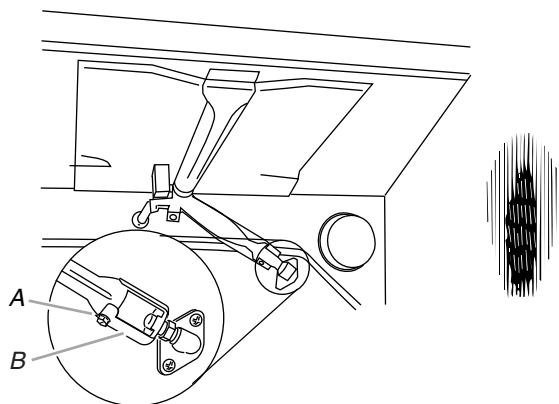


A. Gas burner
B. Electric halo element

NOTE: Oven door must be shut for broil burner to operate.

Adjust Oven Broil Burner Flame (if needed)

Look through oven window to check broil burner for proper flame. This flame should have a ½" (1.3 cm) long inner cone of bluish-green, with an outer mantle of dark blue, and should be clean and soft in character. No yellow tips, blowing or lifting of flame should occur.



A. Locking screw
B. Air shutter

If flame needs to be adjusted:

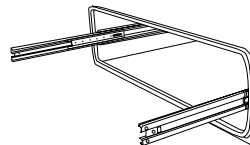
1. Use a flat-blade screwdriver to loosen the locking screw on the air shutter located at the rear of the broil burner.
2. Adjust the air shutter as needed.
3. Tighten lock screw.

Replace Oven Racks and Warming or Storage Drawer

Replace oven racks in oven cavity. Replace warming drawer or storage drawer.

To Replace Warming Drawer:

1. Align the drawer glides with the receiving guides.



2. Push drawer in all the way.

Gently open and close the drawer to ensure it is seated properly on the slides.

To Replace Storage Drawer:

1. Fit the ends of the drawer rails into the guides in the cavity.
2. Slide the drawer closed.

Complete Installation

1. Check that all parts are now installed. If there is an extra part, go back through the steps to see which step was skipped.
2. Check that you have all of your tools.
3. Dispose of/recycle all packaging materials.
4. Check that the range is level. See the "Level Range" section.
5. Use a mild solution of liquid household cleaner and warm water to remove waxy residue caused by shipping material. Dry thoroughly with a soft cloth. For more information, see the "Range Care" section of the Use and Care Guide or User Instructions.
6. Read the Use and Care Guide or User Instructions.
7. Turn on surface burners and oven. See the Use and Care Guide or User Instructions for specific instruction on range operation.

If range does not operate, check the following:

- Household fuse is intact and tight, or circuit breaker has not tripped.
 - Range is plugged into a grounded 3 prong outlet.
 - Electrical supply is connected.
 - See "Troubleshooting" in the Use and Care Guide or User Instructions.
8. When the range has been on for 5 minutes, check for heat. If the range is cold, turn off the range and check that the gas supply line shutoff valve is open.
 - If the gas supply line shutoff valve is closed, open it, then repeat the 5-minute test as outlined above.
 - If the gas supply line shutoff valve is open, press the CANCEL button on the oven control panel and contact a qualified technician.

If you need Assistance or Service:

Please reference the "Assistance or Service" section of the Use and Care Guide or the cover of the User Instructions, or contact the dealer from whom you purchased your range.

GAS CONVERSIONS

Gas conversions from Natural gas to LP gas or from LP gas to Natural gas must be done by a qualified installer.

⚠ WARNING



Explosion Hazard

Use a new CSA International approved gas supply line.

Install a shut-off valve.

Securely tighten all gas connections.

If connected to LP, have a qualified person make sure gas pressure does not exceed 14" (36 cm) water column.

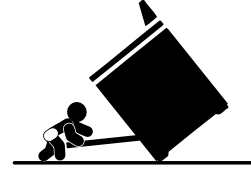
Examples of a qualified person include:

licensed heating personnel,
authorized gas company personnel, and
authorized service personnel.

Failure to do so can result in death, explosion, or fire.

LP Gas Conversion

⚠ WARNING



Tip Over Hazard

A child or adult can tip the range and be killed.

Install anti-tip bracket to floor or wall per installation instructions.

Slide range back so rear range foot is engaged in the slot of the anti-tip bracket.

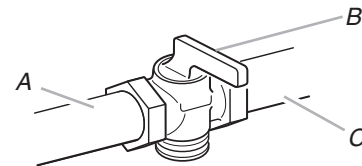
Re-engage anti-tip bracket if range is moved.

Do not operate range without anti-tip bracket installed and engaged.

Failure to follow these instructions can result in death or serious burns to children and adults.

To Convert Gas Pressure Regulator

1. Turn manual shutoff valve to the "closed" position.



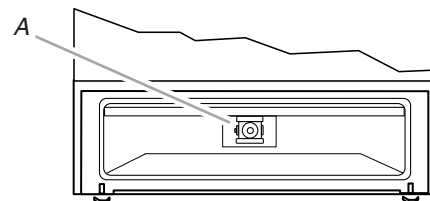
A. To range

B. Manual shutoff valve "closed" position

C. Gas supply line

2. Unplug range or disconnect power.
3. Remove warming drawer or storage drawer. See the "Remove Warming or Storage Drawer" section for instructions. Locate gas pressure regulator at rear of storage or warming drawer compartment.

NOTE: On models with a warming drawer, an access cover must be removed from the gas pressure regulator.



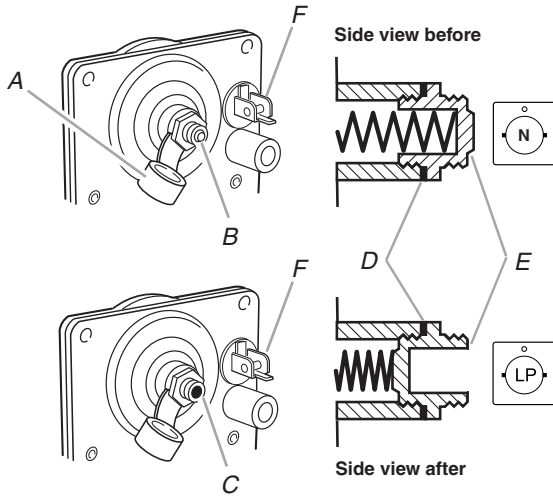
A. Gas pressure regulator

IMPORTANT: Do not remove the gas pressure regulator.

Gas pressure regulator

- Remove plastic cover from gas pressure regulator cap.
- Turn gas pressure regulator cap (marked "N" on front of gas pressure regulator) counterclockwise with a wrench to remove.

NOTE: Do not remove the spring beneath the cap.

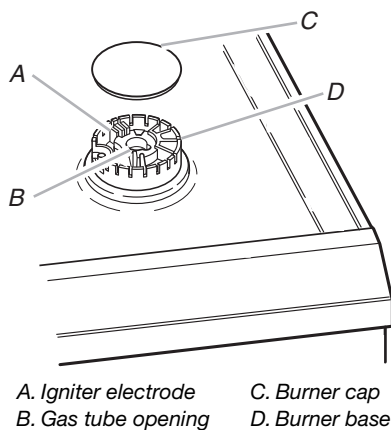


- A. Plastic cover
- B. Gas pressure regulator cap with solid end facing out
- C. Gas pressure regulator cap with hollow end facing out
- D. Washer
- E. Gas pressure regulator cap
- F. Gas regulator shutoff valve (shown in the "open" position)

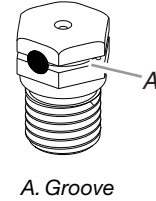
- Turn the gas pressure regulator cap over and reinstall on regulator so that the hollow end faces out and letters "LP" are visible.
- Replace plastic cover over gas pressure regulator cap.

To Convert Standard Surface Burners

- Remove burner cap.
- Using a T20® TORX® screwdriver, remove the burner base.
- Apply masking tape to the end of a 7 mm nut driver to help hold the gas orifice spud in the nut driver while changing it. Press nut driver down onto the gas orifice spud and remove by turning it counterclockwise and lifting out. Set gas orifice spud aside.



- Gas orifice spuds are stamped with a number, marked with 1 color dot, and have a groove in the hex area. Replace the Natural gas orifice spud with the correct LP gas orifice spud.



A. Groove

Refer to the following chart for correct LP gas orifice spud placement.

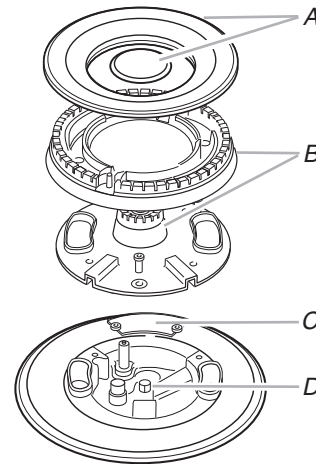
LP Gas Orifice Spud Chart for Standard Surface Burners

Burner Location	Burner Rating	Color	Size
Right front	5,000 Btu/h	Red	0.70 mm
Left front	13,000 Btu/h	Green	1.10 mm
Right rear	10,000 Btu/h	Blue	0.95 mm
Left rear	5,000 Btu/h	Red	0.70 mm

- Place Natural gas orifice spuds in plastic parts bag for future use and keep with package containing literature.
- Replace burner cap.
- Repeat steps 1-6 for the remaining burners, except for the TripleTier® Flame burner (on some models). See "To Convert TripleTier® Flame Burners" in the "LP Gas Conversion" section.

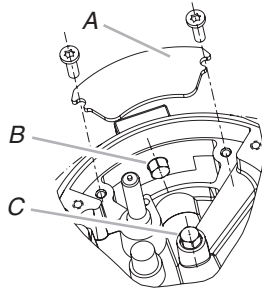
To Convert TripleTier® Flame Burners (on some models)

- Remove burner cap.
- Remove the burner head using a size T20® TORX® screwdriver.
- Remove the plate on the external gas orifice spud.



- A. Burner caps
- B. Burner heads
- C. External gas orifice spud access plate
- D. Internal gas orifice spud

IMPORTANT: The TripleTier® Flame burner has 2 gas orifice spuds. Do not forget to change the external gas orifice spud located under the plate.



A. Plate
B. External gas orifice spud
C. Internal gas orifice spud

4. Apply masking tape to the end of a 7 mm nut driver to help hold the internal gas orifice spud in the nut driver while changing it. Press nut driver down onto the internal gas orifice spud and remove by turning it counterclockwise and lifting out. Set internal gas orifice spud aside.
5. Use a 7 mm combination wrench to remove the external gas orifice spud. Turn counterclockwise to remove. Set external gas orifice spud aside.
6. Replace each Natural gas orifice spud with the correct LP gas orifice spud. Refer to the following chart for correct LP gas orifice spud placement.

LP Gas Orifice Spud Chart for TripleTier® Flame Burners

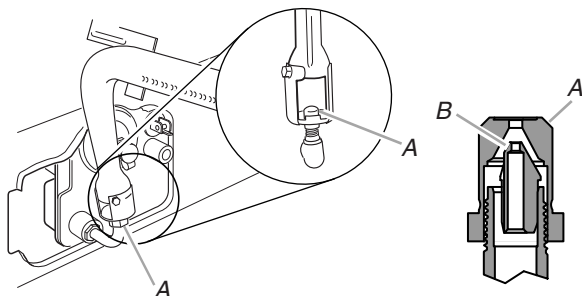
Burner Location	Burner Rating	Color	Size
Left front (external TripleTier® burner)	11,800 Btu/h	Brown	1.00 mm
Left front (internal TripleTier® burner)	2,200 Btu/h	Orange	0.42 mm

7. Replace burner plate, head and cap.
8. Place Natural gas orifice spuds in plastic parts bag for future use and keep with package containing literature.

To Convert Oven Bake Burner

1. Remove oven racks.
2. Use a ½" combination wrench to turn the orifice hood clockwise (about 2 to 2½ turns) so it is snug onto the pin.
IMPORTANT: Do not overtighten.
NOTE: Turning the orifice hood clockwise will decrease flame size; turning it counterclockwise will increase flame size.

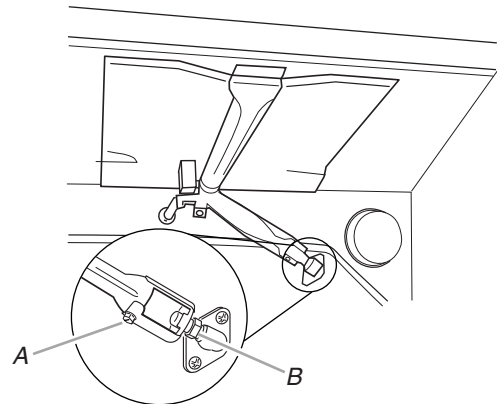
The oven bake burner flame cannot be properly adjusted if this conversion is not made. See "Adjust Oven Bake Flame" in the "Electronic Ignition System" section.



A. Orifice hood
B. Pin

To Convert Oven Broil Burner

1. Use a ½" combination wrench to turn the orifice hood clockwise (about 2 to 2½ turns) so it is snug onto the pin.
IMPORTANT: Do not overtighten.
NOTE: Turning the orifice hood clockwise will decrease flame size; turning it counterclockwise will increase flame size.
The oven broil burner flame cannot be properly adjusted if this conversion is not made. See "Adjust Oven Broil Burner Flame" in the "Electronic Ignition System" section.



A. Locking screw
B. Orifice hood

2. Reinstall the warming or storage drawer. See the "Replace Oven Racks and Warming or Storage Drawer" section for instructions.
3. Complete installation. See "Make Gas Connection" and "Electronic Ignition System" sections.
Checking for proper cooktop burner flames and oven burner flames is very important. The small inner cone should have a very distinct blue flame ¼" (0.6 cm) to ½" (1.3 cm) long. The outer cone is not as distinct as the inner cone. LP gas flames have a slightly yellow tip.
IMPORTANT: You may have to adjust the "LO" setting for each cooktop burner.

Natural Gas Conversion

⚠ WARNING



Tip Over Hazard

A child or adult can tip the range and be killed.

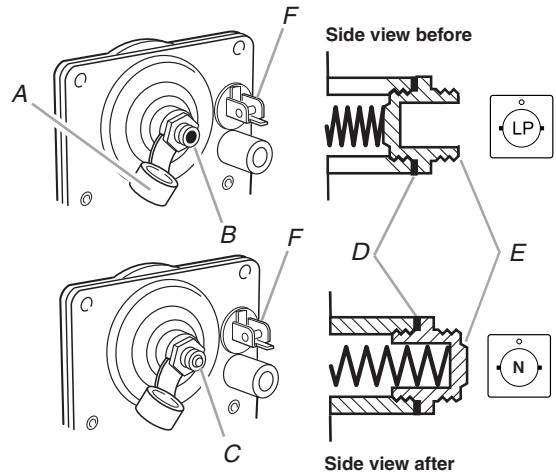
Install anti-tip bracket to floor or wall per installation instructions.

Slide range back so rear range foot is engaged in the slot of the anti-tip bracket.

Re-engage anti-tip bracket if range is moved.

Do not operate range without anti-tip bracket installed and engaged.

Failure to follow these instructions can result in death or serious burns to children and adults.



A. Plastic cover

B. Gas pressure regulator cap with hollow end facing out

C. Gas pressure regulator cap with solid end facing out

D. Washer

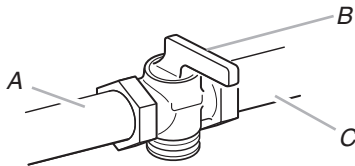
E. Gas pressure regulator cap

F. Gas regulator shutoff valve (shown in the "open" position)

- Turn the gas pressure regulator cap over and reinstall on regulator so that the solid end faces out and letter "N" is visible.
- Replace plastic cover over gas pressure regulator cap.

To Convert Gas Pressure Regulator

- Turn manual shutoff valve to the "closed" position.



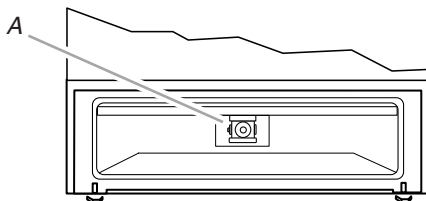
A. To range

B. Manual shutoff valve "closed" position

C. Gas supply line

- Unplug range or disconnect power.
- Remove warming drawer or storage drawer. See the "Remove Warming or Storage Drawer" section for instructions. Locate gas pressure regulator at rear of storage or warming drawer compartment.

NOTE: On models with a warming drawer, an access cover must be removed from the gas pressure regulator.



A. Gas pressure regulator

IMPORTANT: Do not remove the gas pressure regulator.

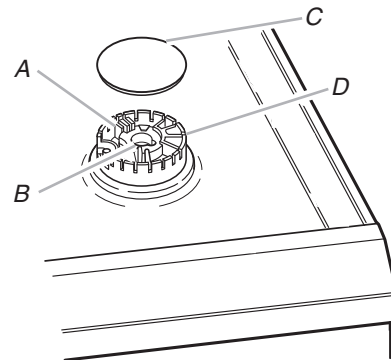
Gas pressure regulator

- Remove plastic cover from gas pressure regulator cap.
- Turn gas pressure regulator cap (marked "LP" on front of gas pressure regulator) counterclockwise with a wrench to remove.

NOTE: Do not remove the spring beneath the cap.

To Convert Standard Surface Burners

- Remove burner cap.
- Using a T20® TORX® screwdriver, remove the burner base.
- Apply masking tape to the end of a 7 mm nut driver to help hold the gas orifice spud in the nut driver while changing it. Press nut driver down onto the gas orifice spud and remove by turning it counterclockwise and lifting out. Set gas orifice spud aside.



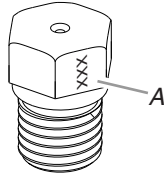
A. Igniter electrode

B. Gas tube opening

C. Burner cap

D. Burner base

- Gas orifice spuds are stamped with a number on the side. Replace the LP gas orifice spud with the correct Natural gas orifice spud.



A. Stamped number

Refer to the following chart for the correct Natural gas orifice spud placement.

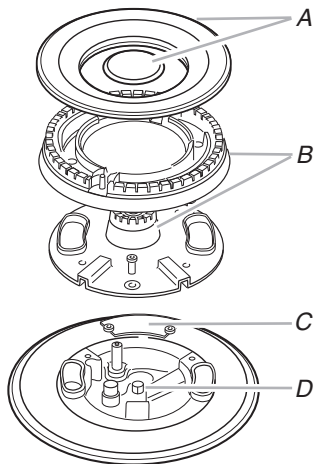
Natural Gas Orifice Spud Chart for Standard Surface Burners

Burner Location	Burner Rating	Size
Right front	6,000 Btu/h	1.10 mm
Left front	14,000 Btu/h	1.70 mm
Right rear	12,500 Btu/h	1.61 mm
Left rear	6,000 Btu/h	1.10 mm

- Place LP gas orifice spuds in plastic parts bag for future use and keep with package containing literature.
- Replace burner cap.
- Repeat steps 1-6 for the remaining burners, except for the TripleTier® Flame burner (on some models). See “To Convert TripleTier® Flame Burners” in the “Natural Gas Conversion” section.

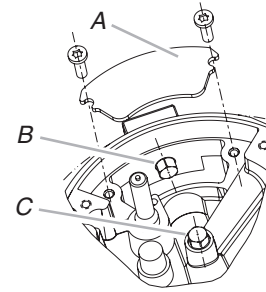
To Convert TripleTier® Flame Burner (on some models)

- Remove burner cap.
- Remove the burner head using a size T20® TORX® screwdriver.
- Remove the plate on the external gas orifice spud.



A. Burner caps
B. Burner heads
C. External gas orifice spud access plate
D. Internal gas orifice spud

IMPORTANT: The TripleTier® Flame burner has 2 gas orifice spuds. Do not forget to change the external gas orifice spud located under the plate.



A. Plate
B. External gas orifice spud
C. Internal gas orifice spud

- Apply masking tape to the end of a 7 mm nut driver to help hold the internal gas orifice spud in the nut driver while changing it. Press nut driver down onto the internal gas orifice spud and remove by turning it counterclockwise and lifting out. Set internal gas orifice spud aside.
- Use a 7 mm combination wrench to remove the external orifice spud. Turn counterclockwise to remove. Set external gas orifice spud aside.
- Replace each LP gas orifice spud with the correct Natural gas orifice spud. Refer to the following chart for correct Natural gas orifice spud placement.

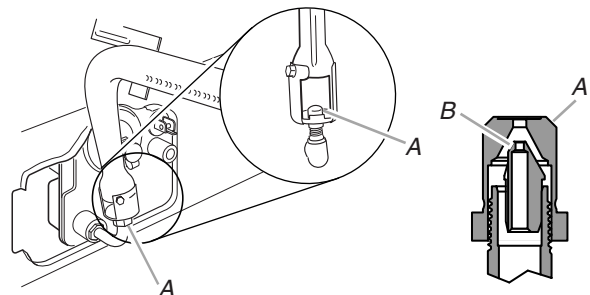
Natural Gas Orifice Spud Chart for TripleTier® Flame Burners

Burner Location	Burner Rating	Size
Left front (external TripleTier® burner)	12,200 Btu/h	1.70 mm
Left front (internal TripleTier® burner)	2,800 Btu/h	0.70 mm

- Replace burner plate, head and cap.
- Place LP gas orifice spuds in plastic parts bag for future use and keep with package containing literature.

To Convert Oven Bake Burner

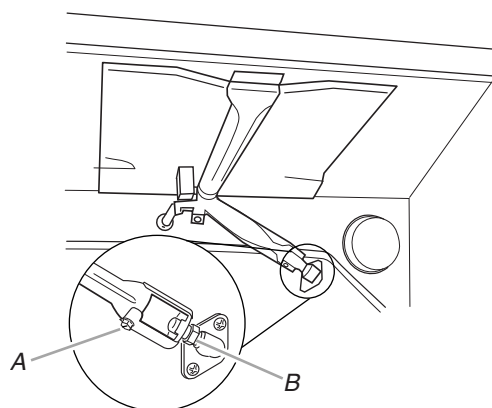
- Remove oven racks.
- Use a ½" combination wrench to loosen the orifice hood away from the pin (about 2 to 2½ turns). The oven bake burner flame cannot be properly adjusted if this conversion is not made. See “Adjust Oven Bake Flame” in the “Electronic Ignition System” section.



A. Orifice hood
B. Pin

To Convert Oven Broil Burner

1. Use a ½" combination wrench to loosen the orifice hood away from the pin (about 2 to 2½ turns). The oven broil burner flame cannot be properly adjusted if this conversion is not made. See "Adjust Oven Broil Burner Flame" in the "Electronic Ignition System" section.



A. Locking screw
B. Orifice hood

2. Reinstall the warming or storage drawer. See the "Replace Oven Racks and Warming or Storage Drawer" section for instructions.
3. Complete installation. See "Make Gas Connection" and "Electronic Ignition System" sections.

Checking for proper cooktop burner and oven bake burner flame is very important. Natural gas flames do not have yellow tips.

IMPORTANT: You may have to adjust "LO" setting for each cooktop burner.

SÉCURITÉ DE LA CUISINIÈRE

Votre sécurité et celle des autres est très importante.

Nous donnons de nombreux messages de sécurité importants dans ce manuel et sur votre appareil ménager. Assurez-vous de toujours lire tous les messages de sécurité et de vous y conformer.



Voici le symbole d'alerte de sécurité.

Ce symbole d'alerte de sécurité vous signale les dangers potentiels de décès et de blessures graves à vous et à d'autres.

Tous les messages de sécurité suivront le symbole d'alerte de sécurité et le mot "DANGER" ou "AVERTISSEMENT". Ces mots signifient :

⚠ DANGER

Risque possible de décès ou de blessure grave si vous ne suivez pas immédiatement les instructions.

⚠ AVERTISSEMENT

Risque possible de décès ou de blessure grave si vous ne suivez pas les instructions.

Tous les messages de sécurité vous diront quel est le danger potentiel et vous disent comment réduire le risque de blessure et ce qui peut se produire en cas de non-respect des instructions.

AVERTISSEMENT : Si les renseignements dans ce manuel ne sont pas exactement observés, un incendie ou une explosion peut survenir, causant des dommages au produit, des blessures ou un décès.

- **Ne pas entreposer ni utiliser de l'essence ou d'autres vapeurs ou liquides inflammables à proximité de cet appareil ou de tout autre appareil électroménager.**
- **QUE FAIRE DANS LE CAS D'UNE ODEUR DE GAZ :**
 - **Ne pas tenter d'allumer un appareil.**
 - **Ne pas toucher à un commutateur électrique.**
 - **Ne pas utiliser le téléphone se trouvant sur les lieux.**
 - **Appeler immédiatement le fournisseur de gaz à partir du téléphone d'un voisin. Suivre ses instructions.**
 - **À défaut de joindre votre fournisseur de gaz, appeler les pompiers.**
- **L'installation et l'entretien doivent être effectués par un installateur qualifié, une agence de service ou le fournisseur de gaz.**

AVERTISSEMENT : L'odorat ne permet pas toujours la détection d'une fuite de gaz.

Les distributeurs de gaz recommandent l'emploi d'un détecteur de gaz (homologation UL ou CSA).

Pour d'autre information, contacter le fournisseur de gaz local.

En cas de détection d'une fuite de gaz, exécuter les instructions "Que faire dans le cas d'une odeur de gaz".

IMPORTANT : Ne pas installer un système de ventilation avec évacuation de l'air vers le bas, qui évacuerait l'air vers cet appareil de cuisson à gaz. Ce type de système de ventilation peut causer des problèmes d'allumage et de combustion avec cet appareil de cuisson à gaz et entraîner des blessures corporelles ou le fonctionnement non désiré de cet appareil.

Dans l'État du Massachusetts, les instructions d'installation suivantes sont applicables :

- Les travaux d'installation et réparation doivent être exécutés par un plombier ou tuyauteur qualifié ou licencié, ou par le personnel qualifié d'une entreprise licenciée par l'État du Massachusetts.
- Si une vanne à boisseau sphérique est utilisée, elle doit comporter une manette "T".
- Si un conduit de raccordement flexible est utilisé, sa longueur ne doit pas dépasser 3 pi.

⚠ AVERTISSEMENT

Risque de basculement

Un enfant ou une personne adulte peut faire basculer la cuisinière, ce qui peut causer un décès.

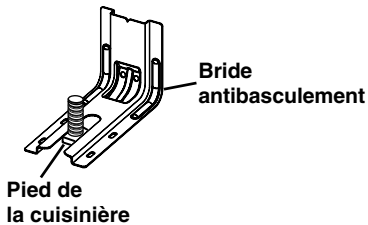
Fixer la bride antibasculement au plancher ou au mur, conformément aux instructions d'installation.

Faire glisser de nouveau la cuisinière de façon à ce que le pied arrière de la cuisinière se trouve dans la fente de la bride antibasculement.

Réengager la bride antibasculement si la cuisinière a été déplacée.

Ne pas faire fonctionner la cuisinière si la bride antibasculement n'est pas installée et engagée.

Le non-respect de ces instructions peut causer un décès ou des brûlures graves aux enfants et aux adultes.



Pour vérifier que la bride antibasculement est bien installée et engagée :

- **Faire glisser la cuisinière vers l'avant.**
- **Vérifier que la bride antibasculement est bien fixée au plancher ou au mur.**
- **Faire de nouveau glisser la cuisinière vers l'arrière de sorte que le pied de la cuisinière se trouve sous la bride antibasculement.**
- **Voir les instructions d'installation pour plus de détails.**

EXIGENCES D'INSTALLATION

Outillage et pièces

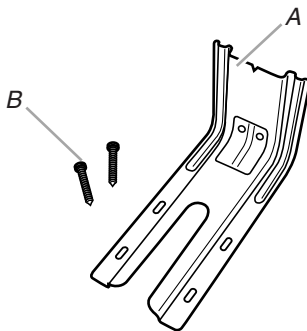
Rassembler les outils et pièces nécessaires avant de commencer l'installation. Lire et suivre les instructions fournies avec les outils indiqués ici.

Outillage nécessaire

- Mètre-ruban
 - Tournevis à lame plate
 - Tournevis Phillips
 - Niveau
 - Perceuse manuelle ou électrique
 - Marteau
 - Clé ou pince
 - Clé à tuyauterie
 - Clé mixte de 15/16"
 - Tourne-écrou de 3/8"
 - Foret de 1/8" (3,2 mm) (pour plancher de bois)
 - Crayon ou marqueur
 - Ruban de masquage
 - Composé d'étanchéité des raccords filetés - résistant au propane
 - Foret à maçonnerie de 3/16" (4,8 mm) à pointes carburées, pour béton/céramique
 - Solution non corrosive de détection des fuites
- Pour la conversion pour l'alimentation au gaz propane/gaz naturel**
- Clé mixte de 1/2"
 - Clé mixte de 7 mm
 - Tourne-écrou de 7 mm
 - Tournevis Torx® T20†

Pièces fournies

Vérifier la présence de toutes les pièces.



A. Bride antibasculement
B. Vis n° 12 x 1 5/8" (2)

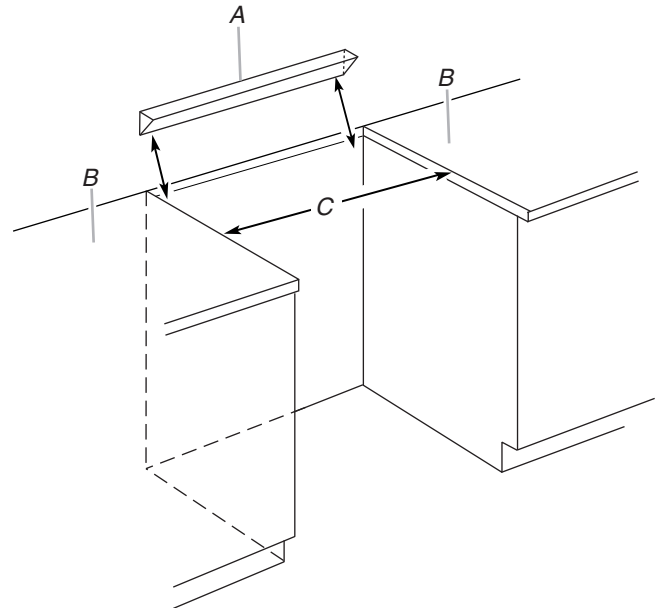
- La bride antibasculement doit être solidement fixée au sous-plancher ou au mur. L'épaisseur du matériau du plancher peut nécessiter l'emploi de vis plus longues pour l'ancrage dans le sous-plancher.

Pièces nécessaires

Consulter les codes locaux en vigueur et le fournisseur de gaz. Déterminer les caractéristiques des sources disponibles d'électricité et gaz. Voir "Spécifications électriques" et "Spécifications de l'alimentation en gaz".

Planchette de remplissage arrière (facultatif)

La planchette de remplissage peut être utilisée pour combler l'espace entre l'arrière de la cuisinière encastrable et le mur dans l'ouverture prévue pour une cuisinière autoportante.



A. Planchette de remplissage
B. Plan de travail
C. Ouverture du plan de travail

Pour commander, voir la section "Assistance ou service" du Guide d'utilisation et d'entretien. Commander la pièce numéro W10113902A (noir), W10113903A (blanc) ou W10113904A (biscuit).

Exigences d'emplacement

IMPORTANT : Observer les dispositions de tous les codes et règlements en vigueur. Ne pas obstruer le flux de combustion et la ventilation.

- C'est à l'installateur qu'incombe la responsabilité de respecter les dégagements de séparation exigés, spécifiés sur la plaque signalétique de l'appareil. La plaque signalétique est située à l'intérieur de la porte du four, sur le côté droit de la garniture.
- La cuisinière doit être installée à un endroit pratique dans la cuisine.
- Dans le cas d'une cuisinière encastrée, l'enceinte doit recouvrir complètement les côtés et l'arrière de la cuisinière.
- Afin de supprimer le risque de brûlures ou d'incendie en se penchant au-dessus des unités de surface chauffées, le rangement en placard au-dessus des unités de surface doit être évité. Si le rangement en placard est envisagé, le risque peut être réduit par l'installation d'une hotte de cuisinière ou une combinaison micro-ondes/hotte opérant horizontalement sur un minimum de 5" (12,7 cm) au-delà du bas des placards.
- Toutes les ouvertures dans le mur ou le plancher de l'emplacement d'installation de la cuisinière doivent être scellées.
- Ne pas réaliser un scellement entre la cuisinière et les placards latéraux.

†®TORX et T20 sont des marques déposées de Saturn Fasteners, Inc.

- Respecter les dimensions indiquées pour la cavité d'installation entre les placards. Ces dimensions constituent les valeurs minimales des dégagements de séparation.
- La bride antibasculement de plancher doit être installée. Pour l'installation de la bride antibasculement expédiée avec la cuisinière, voir la section "Installation de la bride antibasculement".
- Une source d'électricité avec liaison à la terre est nécessaire. Voir la section "Spécifications électriques".
- Une source de gaz adéquate doit être disponible. Voir la section "Spécifications de l'alimentation en gaz".
- Contacter un installateur de revêtement de sol qualifié, qui pourra déterminer si le revêtement de sol peut résister à une température d'au moins 200°F (93°C).
- Dans le cas de l'installation de la cuisinière par dessus un tapis ou de la moquette, placer sous la cuisinière une plaque d'appui isolée, ou une plaque de contreplaqué de 1/4" (0,64 cm).

IMPORTANT : Pour éviter d'endommager les placards, consulter le constructeur ou le fabricant du placard pour déterminer si les matériaux utilisés ne subiront pas un changement de couleur, une déstratification ou d'autres dommages.

Ce four a été conçu conformément aux exigences UL et aux normes de la CSA International; il respecte la température maximale autorisée pour les placards en bois : 194°F (90°C).

Résidence mobile - Spécifications additionnelles à respecter lors de l'installation

L'installation de cette cuisinière doit être conforme aux dispositions de la norme Manufactured Home Construction and Safety Standard, Title 24 CFR, Part 3280 (anciennement Federal Standard for Mobile Home Construction and Safety, Title 24, HUD Part 280). Lorsque cette norme n'est pas applicable, l'installation doit satisfaire aux critères de la norme Standard for Manufactured Home Installations, ANSI A225.1/NFPA 501A ou aux dispositions des codes locaux.

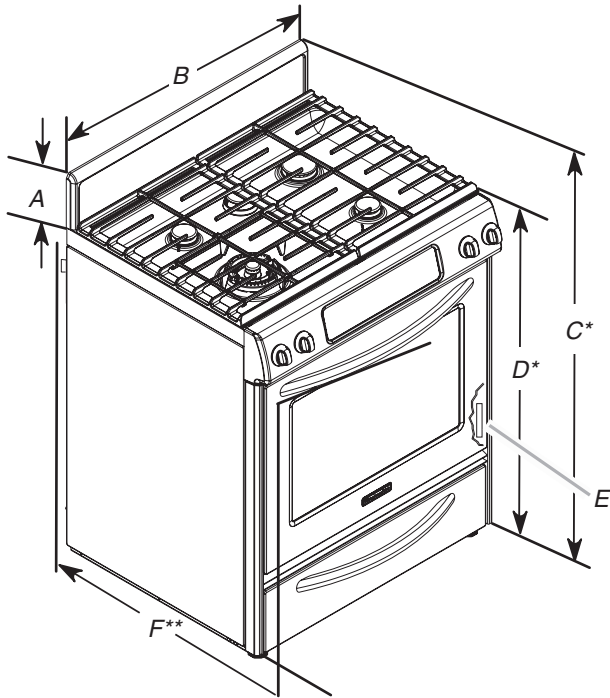
Au Canada, l'installation de cette cuisinière doit satisfaire aux stipulations de la version la plus récente de la norme CAN/CSA-A240 ou des codes locaux en vigueur.

Autres critères à respecter pour une installation en résidence mobile :

- Dans le cas de l'installation de cette cuisinière dans une résidence mobile, la cuisinière doit être fixée au plancher durant tout déplacement du véhicule. Toute méthode de fixation de la cuisinière est adéquate dans la mesure où elle satisfait aux critères des normes mentionnées ci-dessus.

Dimensions du produit

Cuisinière autoportante



A. 5 3/4" (14,6 cm)

B. 30" (76,2 cm)

C. Hauteur totale avec les pieds de nivellement complètement relevés : 41 3/4" (106 cm)*

D. Hauteur de la garniture de la table de cuisson avec les pieds de nivellement complètement relevés : 36" (91,4 cm)*

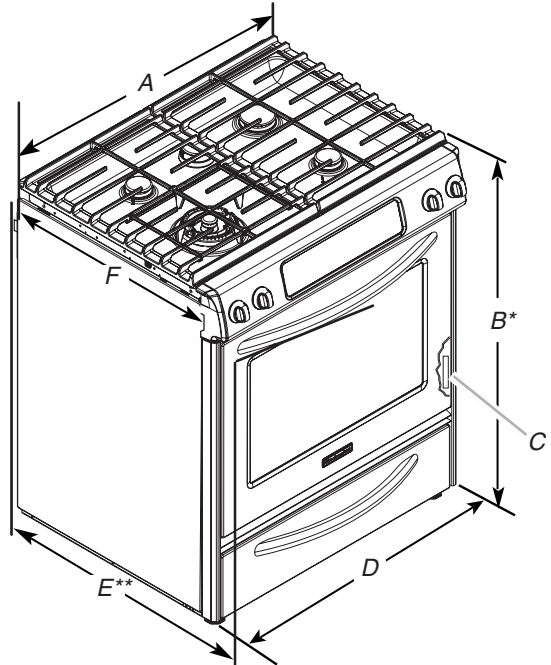
E. Plaque signalétique (située sur la garniture de porte du four, côté droit)

F. Longueur maximale de la poignée au support à l'arrière de la cuisinière : 27 1/4" (69,2 cm)**

*La cuisinière peut être surélevée d'environ 1" (2,5 cm) en ajustant les pieds de nivellement.

**Dans le cas d'une installation entre des placards de 24" (61 cm) avec plan de travail de 25" (63,5 cm), l'avant de la porte du four sera en saillie de 1" (2,5 cm) au-delà de la base des placards de 24" (61 cm).

Cuisinière encastrable



A. 30 1/6" (77,6 cm)

B. Hauteur jusqu'à la partie inférieure de la table de cuisson avec les pieds de nivellement complètement relevés : 35 5/8" (90,5 cm)*

C. Plaque signalétique (située sur la garniture de porte du four, côté droit)

D. 30" (76,2 cm)

E. Longueur de la poignée au support à l'arrière de la cuisinière : 27 1/6" [70,3 cm]** pour les modèles KGRS807XSP et KGSS907XSP)

F. Du coin du plan de travail vers l'arrière de la table de cuisson : 23" (58,4 cm)

*La cuisinière peut être surélevée d'environ 1" (2,5 cm) en ajustant les pieds de nivellement.

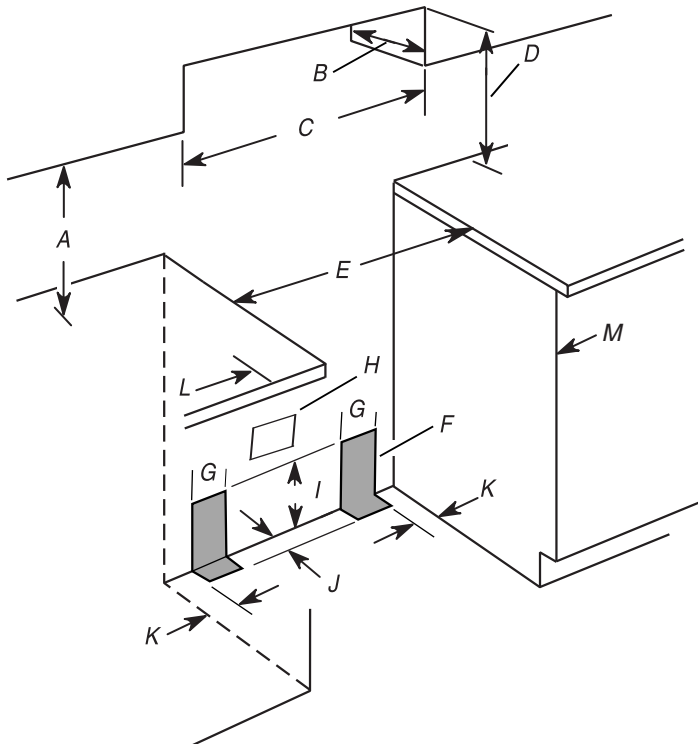
**Dans le cas d'une installation entre des placards de 24" (61 cm) avec plan de travail de 25" (63,5 cm), l'avant de la porte du four sera en saillie de 1 3/4" (4,4 cm) (2 3/16" [5,5 cm] pour les modèles KGRS807XSP et KGSS907XSP) au-delà des placards inférieurs de 24" (61 cm).

Dégagements de séparation à respecter

Les dimensions de l'espace d'installation entre les placards sont valides pour l'installation entre des placards inférieurs d'une profondeur de 24" (61 cm) avec plan de travail de 25" (64 cm) de profondeur à hauteur de 36" (91,4 cm).

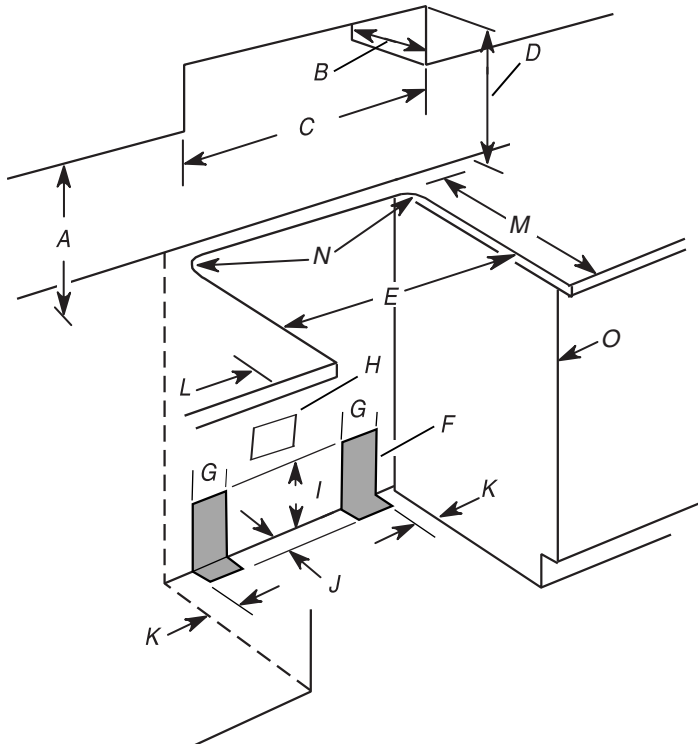
IMPORTANT : En cas d'installation d'une hotte ou d'un ensemble hotte/micro-ondes au-dessus de la cuisinière, suivre les instructions fournies avec la hotte de cuisinière ou de four à micro-ondes concernant les dimensions de dégagement à respecter au-dessus de la surface de la table de cuisson.

Cuisinières autoportantes



- A. 18" (45,7 cm) entre le placard supérieur et le plan de travail
- B. Profondeur du placard supérieur : 13" (33 cm)
- C. Largeur de l'ouverture : 30" (76,2 cm) min.
- D. Pour la distance libre minimale vers la partie supérieure de la table de cuisson, voir la REMARQUE.
- E. Largeur de l'ouverture : 30" (76,2 cm) min.
- F. Installation de la canalisation de gaz rigide recommandée dans cette zone ombrée.
- G. Zone de 6" (15,2 cm) disponible pour l'installation du gaz et de l'électricité.
- H. Prise reliée à la terre
- I. 7" (17,8 cm)
- J. 1 1/2" (3,8 cm)
- K. 4 1/2" (11,4 cm)
- L. Dégagement de 5" (12,7 cm) min. entre les deux côtés de la cuisinière et les parois latérales ou d'autres matériaux combustibles.
- M. La porte ou charnière du placard ne doit pas dépasser à l'intérieur de l'ouverture.

Cuisinières encastrables



- A. 18" (45,7 cm) entre le placard supérieur et le plan de travail
- B. Profondeur max. du placard supérieur : 13" (33 cm)
- C. Largeur de l'ouverture : 30" (76,2 cm) min.
- D. Pour la distance libre minimale vers la partie supérieure de la table de cuisson, voir la REMARQUE.
- E. Largeur de l'ouverture : 30" (76,2 cm) min.
- F. Installation de la canalisation de gaz rigide recommandée dans cette zone ombrée.
- G. Zone de 6" (15,2 cm) disponible pour l'installation du gaz et de l'électricité.
- H. Prise reliée à la terre
- I. 7" (17,8 cm)
- J. 1 1/2" (3,8 cm)
- K. 4 1/2" (11,4 cm)
- L. Dégagement de 5" (12,7 cm) min. entre les deux côtés de la cuisinière et les parois latérales ou d'autres matériaux combustibles pour les modèles KGSS907 et KGRS807.
2" (5,1 cm) de dégagement min. pour le modèle KGSK901
- M. Profondeur d'ouverture : 22 15/16" (58,3 cm)
- N. Rayon de basculement des deux coins : 3/4" (1,9 cm)
- O. La porte ou charnière du placard ne doit pas dépasser à l'intérieur de l'ouverture.

REMARQUE : Distance de séparation de 24" (61 cm) ou plus lorsque le fond d'un placard de bois ou de métal est protégé par une planche ignifugée d'au moins 1/4" (0,64 cm) recouverte d'une feuille métallique d'épaisseur égale ou supérieure à : acier calibre 28 MSG, acier inoxydable 0,015" (0,4 mm), aluminium 0,024" (0,6 mm), ou cuivre 0,020" (0,5 mm).

Distance de séparation de 30" (76,2 cm) ou plus entre le dessus de la table de cuisson et le fond d'un placard de bois ou de métal non protégé.

Spécifications électriques

AVERTISSEMENT



Risque de choc électrique

Brancher sur une prise à 3 alvéoles reliée à la terre.

Ne pas enlever la broche de liaison à la terre.

Ne pas utiliser un adaptateur.

Ne pas utiliser un câble de rallonge.

Le non-respect de ces instructions peut causer un décès, un incendie ou un choc électrique.

IMPORTANT : La cuisinière doit être électriquement reliée à la terre conformément aux prescriptions des codes et règlements locaux; en l'absence de code local, respecter les prescriptions du code national en vigueur : National Electrical Code, ANSI/NFPA 70, ou Code canadien de l'électricité, CSA C22.1.

Cette cuisinière est dotée d'un système d'allumage électronique qui ne fonctionnera pas en cas de branchement dans une prise qui n'est pas correctement polarisée.

Si un conducteur distinct de liaison à la terre est utilisé (lorsque le code en vigueur le permet), on recommande qu'un électricien qualifié vérifie la qualité de la liaison à la terre.

On peut obtenir un exemplaire des normes du code national en vigueur à l'adresse suivante :

National Fire Protection Association
1 Batterymarch Park,
Quincy, MA 02169-7471

CSA International
8501 East Pleasant Valley Road
Cleveland, OH 44131-5575

- L'appareil doit être alimenté uniquement par un circuit électrique de 120 volts, CA seulement, de 60 Hz, 15 A protégé par fusibles. On recommande l'emploi de fusibles temporisés ou disjoncteurs. On recommande que la cuisinière soit alimentée par un circuit indépendant.
- Les dispositifs d'allumage électronique peuvent fonctionner correctement dans une plage de tension d'alimentation étendue, mais il est nécessaire de respecter la polarité stipulée et d'établir une liaison à la terre adéquate. Vérifier que la prise de courant fournit une tension de 120 V et qu'elle est correctement reliée à la terre.
- On trouve un schéma de câblage sous le tiroir de remisage, ou au-dessous du tiroir-réchaud, dans un sachet de plastique transparent.

REMARQUE : Le châssis métallique de la cuisinière doit être relié à la terre pour que le tableau de commande puisse fonctionner correctement. Si le châssis métallique de la cuisinière n'est pas relié à la terre, aucune touche du tableau de commande ne peut fonctionner. En cas de doute quant à la qualité de la liaison à la terre du châssis de la cuisinière, consulter un électricien qualifié.

Spécifications de l'alimentation en gaz

AVERTISSEMENT



Risque d'explosion

Utiliser une canalisation neuve d'arrivée de gaz approuvée par la CSA International.

Installer un robinet d'arrêt.

Bien serrer chaque organe de connexion de la canalisation de gaz.

En cas de connexion au gaz propane, demander à une personne qualifiée de s'assurer que la pression de gaz ne dépasse pas 36 cm (14 po) de la colonne d'eau.

Par personne qualifiée, on comprend :

**le personnel autorisé de chauffage,
le personnel autorisé d'une compagnie de gaz, et
le personnel d'entretien autorisé.**

Le non-respect de ces instructions peut causer un décès, une explosion ou un incendie.

Observer toutes les prescriptions des codes et règlements en vigueur.

IMPORTANT : L'installation doit satisfaire aux critères de tous les codes et règlements locaux. En l'absence de code local, l'installation doit satisfaire aux prescriptions de la plus récente édition du : National Fuel Gas Code ANSI Z223.1 (American National Standard), ou CAN/CGA B149 (édition la plus récente).

IMPORTANT : Les tests de fuite de la cuisinière doivent être effectués selon les instructions du fabricant.

Type de gaz

Gaz naturel :

La conception de cette cuisinière a été homologuée par CSA International pour l'alimentation au gaz naturel, ou pour l'alimentation au propane après conversion adéquate.

- Cette cuisinière a été configurée à l'usine pour l'alimentation au gaz naturel. Voir la section "Conversions pour changement de gaz". La plaque signalétique des numéros de modèle et de série, située sur le côté droit du cadre de la porte du four, derrière le tiroir de remisage, indique les types de gaz utilisables. Si le type de gaz disponible n'est pas mentionné, consulter le fournisseur de gaz local.

Conversion pour l'alimentation au propane :

L'opération de conversion doit être exécutée par un technicien qualifié.

Consulter le fournisseur de gaz avant toute conversion de l'appareil pour l'utilisation d'un type de gaz qui n'est pas mentionné sur la plaque signalétique. Voir la section "Conversions pour changement de gaz".

Canalisation d'alimentation en gaz

- Installer une canalisation d'alimentation en gaz rigide de $\frac{3}{4}$ " (1,9 cm) jusqu'à l'emplacement d'installation de la cuisinière. L'emploi d'une canalisation de plus petit diamètre ou plus longue peut susciter une déficience du débit d'alimentation. Pour l'alimentation au propane, le diamètre des canalisations doit être de $\frac{1}{2}$ " (1,3 cm) ou plus. Généralement, le fournisseur de gaz propane détermine les matériaux à utiliser et la dimension appropriée.

REMARQUE : On doit utiliser un composé d'étanchéité pour tuyauteries résistant à l'action du gaz propane. Ne pas utiliser de ruban TEFLON[†].

Raccord métallique flexible pour appareil ménager :

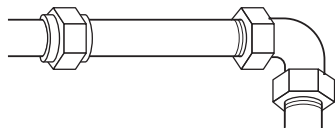
- Si les codes locaux le permettent, pour raccorder la cuisinière à la canalisation de gaz, on peut utiliser un raccord métallique flexible pour appareil ménager neuf (homologation CSA) de 4 à 5 pi (122 à 152,4 cm) de longueur, de diamètre interne de $\frac{1}{2}$ " (1,3 cm) ou $\frac{3}{4}$ " (1,9 cm).



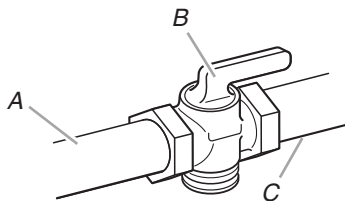
- Un raccord avec filetage mâle de $\frac{1}{2}$ " (1,3 cm) est nécessaire pour la connexion sur le raccord à filetage femelle à l'entrée du détendeur de l'appareil.
- Veiller à ne pas déformer ou endommager le tube métallique flexible lors d'un déplacement de la cuisinière.

Raccordement par une canalisation rigide :

On doit utiliser une combinaison de raccords pour réaliser un raccordement rigide entre la cuisinière et la canalisation de gaz. La canalisation rigide doit se trouver au même niveau que le raccord de connexion de la cuisinière. On doit veiller à ne soumettre les sections de canalisation d'alimentation et de combustible à aucun effort de traction ou flexion, pour que la cuisinière soit d'aplomb et correctement alignée.



- **Robinet d'arrêt nécessaire :**
La canalisation d'alimentation doit comporter un robinet d'arrêt manuel. Le robinet d'arrêt manuel doit être séparé de l'ouverture de la cuisinière, mais doit se trouver dans la même pièce, par exemple dans un placard adjacent. La canalisation doit se trouver en un endroit facilement accessible pour les manœuvres d'ouverture/fermeture. Ne pas entraver l'accès au robinet d'arrêt manuel. Le robinet d'arrêt manuel est prévu pour ouvrir ou fermer l'alimentation en gaz de la cuisinière.



A. Canalisation d'alimentation en gaz
B. Robinet d'arrêt en position d'ouverture
C. Vers la cuisinière

Détendeur

Le détendeur fourni avec cette cuisinière doit être utilisé. Pour un fonctionnement correct, la pression d'alimentation du détendeur doit être comme suit :

Gaz naturel :

Pression minimum : 5" (colonne d'eau)

Pression maximum : 14" (colonne d'eau)

Gaz propane :

Pression minimum : 11" (colonne d'eau)

Pression maximum : 14" (colonne d'eau)

En cas d'incertitude quant à la pression d'alimentation à établir, contacter le fournisseur de gaz local.

Débit thermique des brûleurs

Les débits thermiques indiqués sur la plaque signalétique correspondent à une altitude d'utilisation inférieure ou égale à 2000 pi (609,6 m).

Lorsque l'appareil est utilisé à une altitude supérieure à 2000 pi (609,6 m), on doit réduire le débit thermique indiqué de 4 % pour chaque tranche de 1000 pi (304,8 m) au-dessus du niveau de la mer (pas applicable au Canada).

Tests de pressurisation de la canalisation de gaz

On doit tester le détendeur sous une pression supérieure d'au moins 1" à la pression de la tubulure de distribution indiquée sur la plaque signalétique.

Pressurisation à une pression supérieure à $\frac{1}{2}$ lb/po² (14" - colonne d'eau)

Lors de tout test de pressurisation de ce système à une pression supérieure à $\frac{1}{2}$ lb/po² (3,5 kPa), on doit déconnecter la cuisinière et son robinet d'arrêt individuel de la canalisation de gaz.

Pressurisation à une pression égale ou inférieure à $\frac{1}{2}$ lb/po² (14" - colonne d'eau)

Lors de tout test de pressurisation de la canalisation de gaz à une pression égale ou inférieure à $\frac{1}{2}$ lb/po² (3,5 kPa), on doit isoler la cuisinière de la canalisation de gaz par fermeture de son robinet d'arrêt manuel individuel.

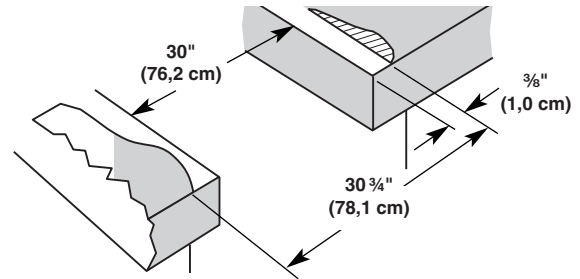
Préparation du plan de travail (pour cuisinières encastrables uniquement)

Les bords latéraux de la table de cuisson de la cuisinière encastrable seront placés en chevauchement sur les extrémités du plan de travail.

Si la largeur de l'espace disponible est de 30" (76,2 cm), et si la rive avant du plan de travail est plane et à l'équerre, aucune préparation du plan de travail ne sera nécessaire.

Si le bord avant du plan de travail a été réalisé par moulage, il sera nécessaire de réaliser une surface plane de $\frac{3}{8}$ " (1 cm) dans chaque angle avant de l'ouverture.

Il peut être nécessaire de tailler le carrelage du plan de travail sur $\frac{3}{8}$ " (1 cm) sur chaque angle à l'avant et/ou d'aplanir un bord arrondi.



Si la largeur de l'espace disponible pour le plan de travail est de plus de 30" (76,2 cm), ajuster la dimension de $\frac{3}{8}$ " (1 cm).

Il faut que le plan de travail soit horizontal. Placer un niveau sur le plan de travail; contrôler l'horizontalité transversalement, puis dans le sens avant/arrière. Si le plan de travail n'est pas horizontal, la cuisinière ne sera pas d'aplomb. Il faut que la cuisinière soit d'aplomb pour produire une performance de cuisson au four satisfaisante.

INSTRUCTIONS D'INSTALLATION

Déballage de la cuisinière

⚠ AVERTISSEMENT

Risque du poids excessif

Utiliser deux ou plus de personnes pour déplacer et installer la cuisinière.

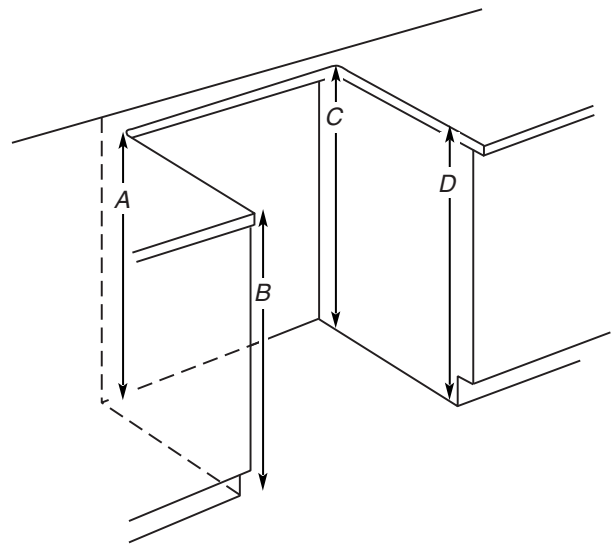
Le non-respect de cette instruction peut causer une blessure au dos ou d'autre blessure.

1. Ôter les matériaux d'emballage, le ruban adhésif et le film de la cuisinière. Garder la base de carton sous la cuisinière. Retirer les grilles de four et le sachet de pièces de l'intérieur du four.
2. Pour placer la cuisinière sur sa partie postérieure, prendre les 4 coins de protection du carton d'emballage. Empiler 2 coins l'un sur l'autre. Répéter avec les 2 autres coins. Les disposer sur le plancher dans le sens de la longueur derrière la cuisinière à titre de support de la cuisinière lorsque celle-ci est placée sur sa partie postérieure. En utilisant au moins deux personnes, saisir fermement la cuisinière et la déposer délicatement sur sa partie postérieure, sur les coins de protection.

Mesures pour une hauteur appropriée

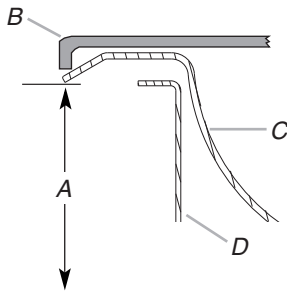
Cuisinières encastrables :

1. Mesurer la distance du plan de travail jusqu'au sol. Mesurer aux 4 emplacements correspondant aux 4 coins de la partie inférieure de la table de cuisson de cuisinière, tel qu'illustré.



Mesurer aux emplacements marqués A, B, C, D.

- Mesurer du sol jusqu'à la partie inférieure de la table de cuisson de cuisinière.

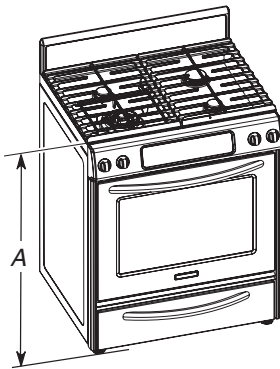


- A. Distance en partant du sol vers la partie inférieure de la table de cuisson
 B. Grille
 C. Surface de la table de cuisson
 D. Châssis latéral de la cuisinière

- Ajuster la hauteur en fonction des différences observées entre les 2 mesures.

Cuisinières autoportantes :

- Mesurer la distance du plan de travail jusqu'au sol.
- Mesurer du haut de l'habillage de la table de cuisson de la cuisinière jusqu'au sol.



A. Distance entre le sommet de l'habillage de la table de cuisson et le plancher

- Ajuster la hauteur de nivellement en fonction des différences observées entre les 2 mesures.

Réglage des pieds de nivellement

- Si un ajustement de la hauteur de la cuisinière est nécessaire, utiliser une clé ou une pince pour desserrer les 4 pieds de nivellement.

Ceci doit être effectué alors que la cuisinière repose sur sa partie postérieure ou qu'elle est supportée par 2 pieds après avoir été replacée en position verticale.

REMARQUE : Pour placer à nouveau la cuisinière en position verticale, placer un carton ou un panneau de fibres dur devant la cuisinière. En utilisant au moins 2 personnes, relever la cuisinière et la placer sur le carton ou le panneau de fibres dur.

- Ajuster les pieds de nivellement à la hauteur nécessaire. Les pieds de nivellement peuvent être desserrés pour ajouter une hauteur maximale de 1" (2,5 cm). Une longueur minimum de $\frac{3}{16}$ " (5,0 mm) est nécessaire pour engager la bride antibasculement.

REMARQUE : Si un ajustement de la hauteur est effectué alors que la cuisinière est debout, incliner la cuisinière vers l'arrière pour ajuster les pieds avant, puis incliner la cuisinière vers l'avant pour ajuster les pieds arrière.

- Lorsque la cuisinière est à la hauteur souhaitée, vérifier qu'il y a un espace suffisant sous la cuisinière pour loger la bride antibasculement. Avant de faire glisser la cuisinière à son emplacement final, vérifier qu'il sera possible de faire glisser la bride antibasculement sous la cuisinière et sur le pied de nivellement arrière avant l'installation de la bride antibasculement.

Installation de la bride antibasculement

⚠ AVERTISSEMENT



Risque de basculement

Un enfant ou une personne adulte peut faire basculer la cuisinière, ce qui peut causer un décès.

Fixer la bride antibasculement au plancher ou au mur, conformément aux instructions d'installation.

Faire glisser de nouveau la cuisinière de façon à ce que le pied arrière de la cuisinière se trouve dans la fente de la bride antibasculement.

Réengager la bride antibasculement si la cuisinière a été déplacée.

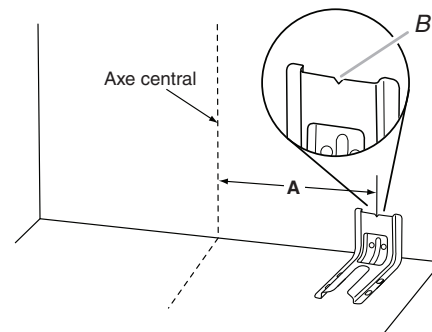
Ne pas faire fonctionner la cuisinière si la bride antibasculement n'est pas installée et engagée.

Le non-respect de ces instructions peut causer un décès ou des brûlures graves aux enfants et aux adultes.

- Ôter la bride antibasculement fixée par du ruban adhésif à l'intérieur du tiroir de remisage ou du tiroir-réchaud.
- Déterminer la méthode de montage à utiliser : au plancher ou au mur.

Pour un plancher en pierre ou en briquetage, on peut utiliser la méthode de montage au mur. En cas d'installation de la cuisinière dans une résidence mobile, il est impératif de fixer la cuisinière au sol.

- Déterminer et marquer l'axe central de l'espace à découper. Le montage peut être effectué du côté gauche ou droit de la découpe. Positionner la bride de montage contre le mur dans l'ouverture à découper de façon à ce que l'encoche en V de la bride se trouve à $13\frac{13}{64}$ " (33,6 cm) de l'axe central, tel qu'illustré.

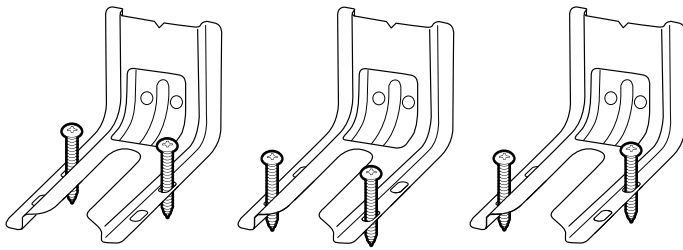


A. $13\frac{13}{64}$ " (33,6 cm)

B. Encoche en V de la bride

4. Percer deux trous de 1/8" (3 mm) qui correspondent aux trous de la bride selon la méthode de montage déterminée. Voir les illustrations suivantes.

Montage au plancher

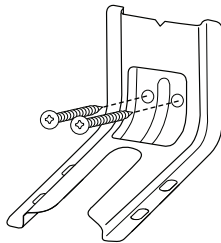


Positionnement par l'arrière

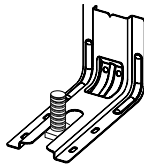
Positionnement par l'avant

En diagonale (2 options)

Montage mural



5. À l'aide du tournevis Phillips, monter la bride antibasculement sur le mur ou sur le plancher avec les deux vis n° 12 x 1 1/8" fournies.
6. Rapprocher suffisamment la cuisinière de l'ouverture pour permettre le raccordement électrique et le raccordement final au gaz. Retirer la base d'expédition, le carton ou le panneau de fibres dur de sous la cuisinière.
7. Placer la cuisinière dans son emplacement final en s'assurant que le pied de nivellement arrière glisse dans la bride antibasculement.



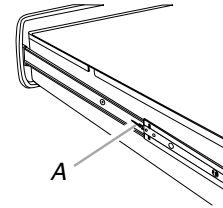
8. Déplacer la cuisinière vers l'avant sur la base de sa boîte d'expédition, sur une planche en carton ou en matériau de fibres dur pour poursuivre l'installation de la cuisinière à l'aide des instructions d'installation suivantes.

Retrait du tiroir-réchaud ou du tiroir de remisage

Retirer le tiroir-réchaud ou le tiroir de remisage pour avoir accès à la section inférieure de la cuisinière. Ceci sera nécessaire pour certaines des étapes d'installation suivantes.

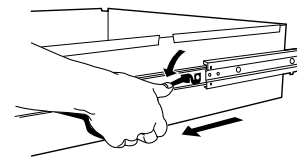
Retrait du tiroir-réchaud :

1. Ouvrir le tiroir complètement.
2. Localiser les boucles noires des deux côtés du tiroir.



A. Boucle

3. Tirer simultanément les deux boucles vers l'avant puis sortir le tiroir d'un pouce supplémentaire.



4. En tenant le tiroir par les côtés, et non par l'avant, le retirer complètement et doucement.

Retrait du tiroir de remisage :

1. Tirer le tiroir tout droit jusqu'à la première butée.
2. Soulever l'arrière du tiroir et le retirer.

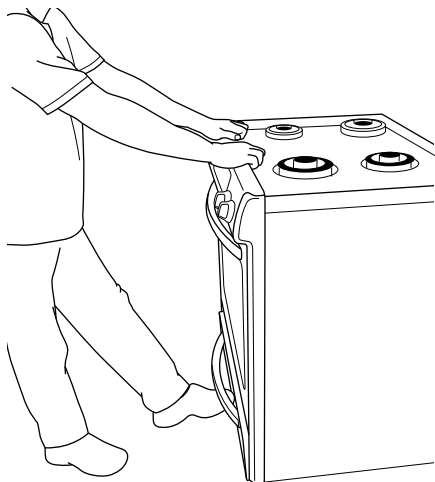
Vérifier que la bride antibasculement est bien installée et engagée

Sur les modèles avec tiroir de remisage :

1. Retirer le tiroir de remisage. Voir la section "Tiroir de remisage".
2. Au moyen d'une torche électrique, inspecter le dessous de la cuisinière.
3. Inspecter la cuisinière pour vérifier que le pied arrière de la cuisinière se trouve dans la fente de la bride antibasculement.

Sur les modèles avec tiroir-réchaud :

1. Placer le pied contre la partie inférieure avant du tiroir-réchaud et saisir le tableau de commande et le dessus de la cuisinière avec les deux mains, tel qu'indiqué.



2. Tenter d'incliner la cuisinière vers l'avant avec précaution. Si vous rencontrez une résistance immédiate, cela signifie que le pied de la cuisinière est engagé dans la bride antibasculement.
3. Si l'arrière de la cuisinière se soulève de plus de 1/2" (1,3 cm) du plancher sans opposer de résistance, cesser d'incliner la cuisinière et la reposer doucement sur le plancher. Le pied de la cuisinière n'est pas engagé dans la bride antibasculement.

IMPORTANT : Si l'on entend un claquement ou un bruit d'éclatement lorsqu'on soulève la cuisinière, cela signifie peut-être que la cuisinière n'est pas bien engagée dans la bride. Vérifier qu'aucune obstruction n'empêche la cuisinière de glisser vers le mur ou le pied de la cuisinière de glisser dans la bride. Vérifier que la bride est fermement maintenue en place par les vis de montage.

4. Glisser la cuisinière vers l'avant et vérifier que la bride antibasculement est bien fixée au plancher ou au mur.
5. Faire glisser de nouveau la cuisinière de façon à ce que le pied arrière de la cuisinière se trouve dans la fente de la bride antibasculement.

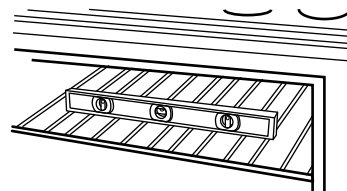
IMPORTANT : Si l'arrière de la cuisinière se trouve à plus de 2" (5,1 cm) du mur de montage, cela signifie que le pied arrière de la cuisinière n'est peut-être pas engagé dans la bride. Glisser la cuisinière vers l'avant et déterminer si un objet fait obstruction entre la cuisinière et la paroi de montage. Les modifications apportées à l'alimentation en gaz doivent être effectuées par un réparateur qualifié. Pour assistance ou dépannage, consulter la section "Assistance ou Service" du guide d'utilisation et d'entretien, la couverture ou la section "Garantie" des instructions d'utilisation pour obtenir les coordonnées des personnes à contacter.

6. Répéter les étapes 1 et 2 pour s'assurer que le pied de la cuisinière est bien engagé dans la bride antibasculement.

Si l'arrière de la cuisinière se soulève de plus de 1/2" (1,3 cm) du plancher sans opposer de résistance, cela peut signifier que la bride antibasculement n'est pas correctement installée. Ne pas faire fonctionner la cuisinière si la bride antibasculement n'est pas installée et engagée. Consulter la section "Assistance ou Service" du guide d'utilisation et d'entretien, la couverture ou la section "Garantie" des instructions d'utilisation pour obtenir les coordonnées des personnes à contacter.

Réglage de l'aplomb de la cuisinière

1. Placer une grille dans le four.
2. Placer un niveau sur la grille et contrôler l'aplomb de la cuisinière, d'abord transversalement, puis dans le sens avant/arrière.



3. Si la cuisinière n'est pas d'aplomb, la tirer de nouveau pour que le pied de nivellement arrière se dégage de la bride antibasculement.

Sur les cuisinières équipées de tiroirs de remisage :

Utiliser une clé à cliquet de 1/4", une clé ou une pince pour régler les pieds de nivellement vers le haut ou vers le bas jusqu'à ce que la cuisinière soit d'aplomb. Repousser la cuisinière pour la remettre en place. Vérifier que le pied de nivellement arrière est engagé dans la bride antibasculement.

Sur les cuisinières équipées de tiroirs-réchauds :

Utiliser une clé ou une pince pour régler les pieds de nivellement vers le haut ou vers le bas jusqu'à ce que la cuisinière soit d'aplomb. Repousser la cuisinière pour la remettre en place. Vérifier que le pied de nivellement arrière est engagé dans la bride antibasculement.

REMARQUE : La cuisinière doit être d'aplomb pour que les résultats de cuisson au four soient satisfaisants.

Raccordement à la canalisation de gaz

⚠ AVERTISSEMENT



Risque d'explosion

Utiliser une canalisation neuve d'arrivée de gaz approuvée par la CSA International.

Installer un robinet d'arrêt.

Bien serrer chaque organe de connexion de la canalisation de gaz.

En cas de connexion au gaz propane, demander à une personne qualifiée de s'assurer que la pression de gaz ne dépasse pas 36 cm (14 po) de la colonne d'eau.

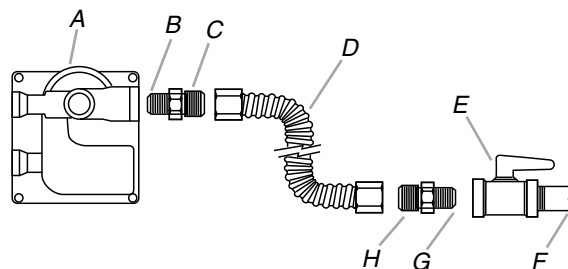
Par personne qualifiée, on comprend :

le personnel autorisé de chauffage,
le personnel autorisé d'une compagnie de gaz, et
le personnel d'entretien autorisé.

Le non-respect de ces instructions peut causer un décès, une explosion ou un incendie.

Raccordement typique par raccord flexible

1. Appliquer un composé d'étanchéité des filetages résistant au propane sur l'extrémité filetée la plus petite des adaptateurs de raccord flexible (voir B et G sur l'illustration suivante).
2. Fixer un raccord d'adaptation sur le détendeur et l'autre raccord d'adaptation sur le robinet d'arrêt de la canalisation de gaz. Serrer les deux raccords d'adaptation.
3. Utiliser une clé mixte de 15/16" et une pince multiprise pour fixer le raccord flexible sur les raccords d'adaptation. Veiller à ne pas déformer le raccord flexible.

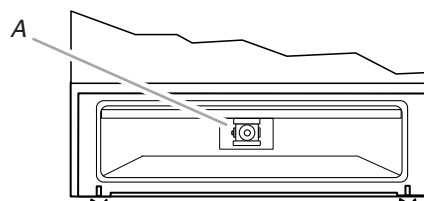


- A. Détendeur
B. Appliquer un composé d'étanchéité.
C. Raccord d'adaptation (avec filetage mâle NPT 1/2")
D. Raccord flexible.
E. Robinet d'arrêt manuel
F. Tuyau de gaz 1/2" ou 3/4"
G. Appliquer un composé d'étanchéité
H. Raccord d'adaptation

Compléter le raccordement

1. Identifier le détendeur à l'arrière du compartiment du tiroir de remisage ou du tiroir-réchaud.

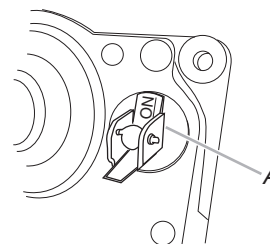
REMARQUE : Dans le cas d'un modèle avec tiroir-réchaud, on doit retirer le couvercle de l'ouverture d'accès du détendeur.



A. Détendeur

IMPORTANT : Ne pas enlever le détendeur.

2. Vérifier que le robinet d'arrêt du détendeur est à la position "ON" (ouvert). Le robinet est ouvert lorsque le levier est parallèle au sol.

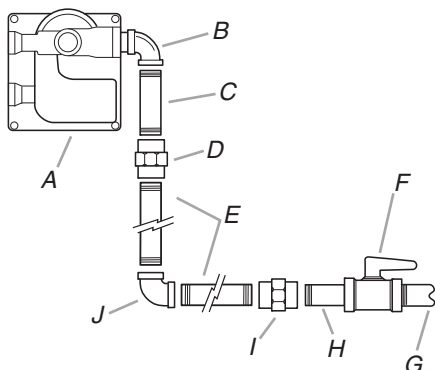


A. Robinet d'arrêt sur le détendeur

Raccordement typique à une canalisation rigide

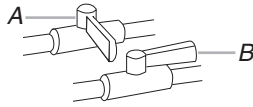
On doit utiliser une combinaison de raccords pour raccorder la cuisinière à la canalisation de gaz existante. La configuration de connexion sera variable, selon les caractéristiques de la canalisation d'alimentation (type, taille et position).

1. Sur chaque connexion filetée, appliquer un composé d'étanchéité résistant au propane.
2. Utiliser une clé à tuyauteries pour serrer tous les raccords entre la cuisinière et la canalisation de gaz.



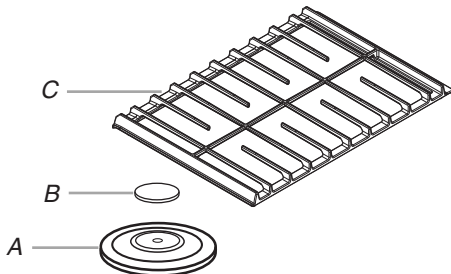
- A. Détendeur
B. Coude à 90° (avec filetage mâle NPT 1/2")
C. Raccord mâle
D. Raccord union femelle
E. Tuyau en fer noir
F. Robinet d'arrêt manuel
G. Tuyau de gaz 1/2" ou 3/4"
H. Raccord mâle
I. Raccord union femelle
J. Coude à 90°

3. Ouvrir le robinet d'arrêt manuel sur la canalisation de gaz (le robinet est ouvert lorsque la manette est parallèle au tuyau).



A. Robinet d'arrêt fermé
B. Robinet d'arrêt ouvert

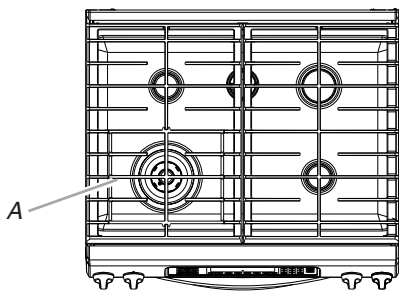
4. Effectuer une recherche des fuites : appliquer au pinceau sur les connexions une solution non corrosive de détection des fuites; la formation de bulles identifiera une fuite. Éliminer toute fuite constatée.
5. Prendre les chapeaux de brûleur et grilles de brûleur dans le paquet de pièces. Aligner les encoches des chapeaux de brûleur avec les broches dans la base de chaque brûleur. Un chapeau de brûleur correctement placé doit être horizontal. Si le chapeau de brûleur n'est pas correctement placé, le brûleur de surface ne peut s'allumer.



A. Base de brûleur
B. Chapeau de brûleur
C. Grille de brûleur

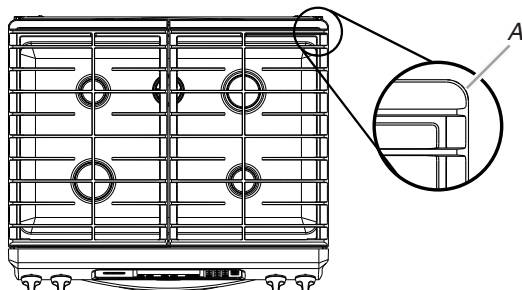
6. Placer les grilles de brûleur sur les brûleurs et chapeaux de brûleur tel qu'indiqué sur l'illustration. Lorsque les grilles sont bien installées, elles ne doivent pas être en chevauchement sur la console.

Cuisinière autoportante



A. La grille de brûleur pouvant accommoder un wok doit être installée sur le brûleur avant gauche

Cuisinière encastrable



A. Positionner le rebord large au coin arrondi du coin arrière de la table de cuisson.

⚠ AVERTISSEMENT



Risque de choc électrique

- Brancher sur une prise à 3 alvéoles reliée à la terre.**
- Ne pas enlever la broche de liaison à la terre.**
- Ne pas utiliser un adaptateur.**
- Ne pas utiliser un câble de rallonge.**
- Le non-respect de ces instructions peut causer un décès, un incendie ou un choc électrique.**

7. Brancher sur une prise à 3 alvéoles reliée à la terre.

Système d'allumage électronique

Allumage initial et réglages des flammes

Un système d'allumage électronique est utilisé à la place des flammes de veille usuelles pour l'allumage des brûleurs (table de cuisson et four). Lorsqu'on place le bouton de commande de la table de cuisson à la position "LITE" (allumage), le système génère des étincelles pour l'allumage du brûleur. La génération d'étincelles se poursuit aussi longtemps que le bouton de commande est laissé à la position "LITE".

Lorsqu'on place la commande du four à la position désirée, les étincelles générées provoquent l'inflammation du gaz.

Contrôle du fonctionnement des brûleurs de la table de cuisson

Brûleurs standard de la table de cuisson

Enfoncer et tourner chaque bouton de commande à la position "LITE" (allumage).

Les flammes doivent s'allumer sur le brûleur en moins de 4 secondes. Lors de l'allumage initial, le délai d'allumage peut être supérieur à 4 secondes du fait de la présence d'air dans la canalisation de gaz.

Brûleur TripleTier®

Pour allumer le brûleur de mijotage :

Enfoncer et tourner le bouton de commande à la position "LITE" pour allumer le brûleur interne.

Les flammes doivent s'allumer sur le brûleur en moins de 4 secondes. Lors de l'allumage initial, le délai d'allumage peut être supérieur à 4 secondes du fait de la présence d'air dans la canalisation de gaz.

Pour allumer le brûleur haute puissance :

Enfoncer et tourner à nouveau le bouton de commande à la position "POWER BURNER HI" (brûleur haute puissance - élevé) pour allumer le brûleur externe (tourner le bouton de commande à DUAL HI (double - élevé) pour le modèle KGSS907XSP).

Les flammes doivent s'allumer sur le brûleur en moins de 4 secondes. Lors de l'allumage initial, le délai d'allumage peut être supérieur à 4 secondes du fait de la présence d'air dans la canalisation de gaz.

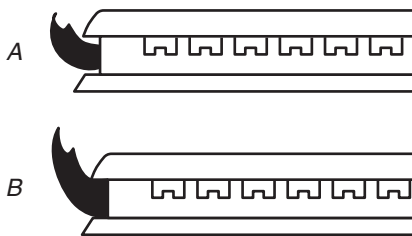
Si le brûleur ne s'allume pas correctement :

- Ramener le bouton de commande de la table de cuisson à la position "Off" (arrêt).
- Vérifier que la cuisinière est branchée, que le disjoncteur ne s'est pas déclenché et qu'aucun fusible n'est grillé.
- Vérifier que chaque robinet d'arrêt est ouvert.
- Vérifier que chaque chapeau de brûleur est correctement placé sur la base du brûleur.

Répéter le processus de mise en marche. Si à ce stade un brûleur ne s'allume pas, tourner les boutons de commande à la position "Off" (arrêt) et contacter le revendeur ou un réparateur agréé.

Réglage de la taille des flammes

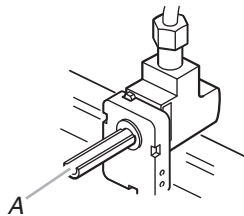
Régler la taille des flammes du brûleur supérieur de la table de cuisson. Pour le réglage au débit thermique minimum du brûleur de la table de cuisson, on doit observer des flammes stables bleues de 1/4" (0,64 cm).



A. Débit thermique minimum
B. Débit thermique maximum

Réglage des brûleurs standard :

La vis de réglage au centre de la tige de commande du robinet permet de régler la taille des flammes. La tige de commande est située directement au-dessous du bouton de commande.



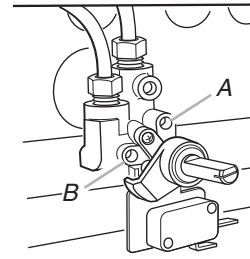
A. Tige de commande

S'il est nécessaire de régler la taille des flammes pour le débit thermique minimum :

1. Ôter le bouton de commande.
2. Immobiliser la tige de commande avec une pince. Utiliser un petit tournevis à lame plate pour faire tourner la vis située au centre de la tige de commande jusqu'à ce que la flamme atteigne la taille correcte.
3. Réinstaller le bouton de commande.
4. Tester le fonctionnement du brûleur : faire passer le bouton de commande de la position "LO" (bas) à la position "HI" (élevé) et observer les flammes pour chaque réglage.

Réglage du brûleur TripleTier® :

1. Ôter le bouton de commande.
2. Insérer un tournevis à lame plate dans les emplacements de réglage indiqués dans l'illustration suivante et engager la vis à fentes. Tourner la vis jusqu'à ce que la flamme atteigne la taille correcte.



A. Réglage du brûleur de mijotage
B. Réglage du brûleur haute puissance

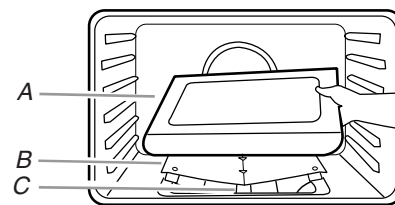
3. Réinstaller le bouton de commande.
4. Tester le fonctionnement du brûleur : faire passer le bouton de commande de la position "LO" (bas) à la position "HI" (élevé) et observer les flammes pour chaque réglage.

Contrôle du fonctionnement du brûleur de cuisson au four

1. Ôter la grille du four. Ôter le couvercle du brûleur de cuisson au four et placer celui-ci sur une surface couverte.
2. Appuyer sur la touche BAKE (cuisson au four). La température par défaut apparaît sur l'afficheur.
3. Appuyer sur la touche START (mise en marche). L'afficheur de température présente "Preheating" (préchauffage) et "LO" (débit thermique minimum) (ou bien la température réelle).

Le brûleur du four devrait s'allumer en moins de 8 secondes; dans certaines conditions, l'allumage peut ne survenir qu'après 50 à 60 secondes.

Un dispositif d'allumage électronique est utilisé pour l'allumage des brûleurs du four et du gril.



A. Couvercle du brûleur de cuisson au four
B. Répartiteur de flammes
C. Brûleur de cuisson au four

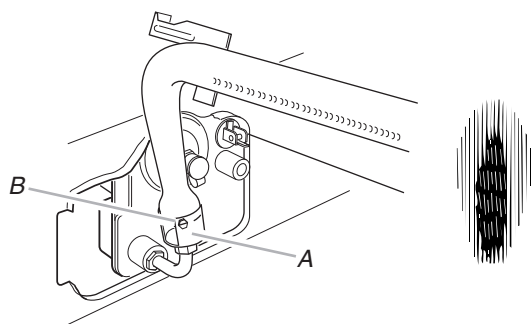
Réglage de la taille des flammes sur le brûleur de cuisson au four (si nécessaire)

1. Ôter la plaque fermant l'ouverture d'accès (2 vis) située sur la paroi supérieure à l'intérieur du tiroir de remisage ou du tiroir-réchaud.

2. Observer les flammes sur le brûleur de cuisson au four pour déterminer si un réglage est nécessaire.

Il doit y avoir sur le brûleur des flammes comportant un long cône interne bleu-vert de 1/2" (1,3 cm) et une zone externe bleu foncé; la forme des flammes doit être nette et douce. On ne doit pas observer de pointes jaunes, ni d'effet de soufflage ou séparation entre les flammes et le brûleur.

3. S'il est nécessaire de régler la taille des flammes du brûleur de cuisson au four, identifier la virole de réglage d'admission d'air près du centre/à l'arrière de la cuisinière. Utiliser un tournevis à lame plate pour desserrer la vis de blocage. Faire tourner la virole jusqu'à ce que la flamme atteigne la taille correcte. Resserrer la vis de blocage de la virole.



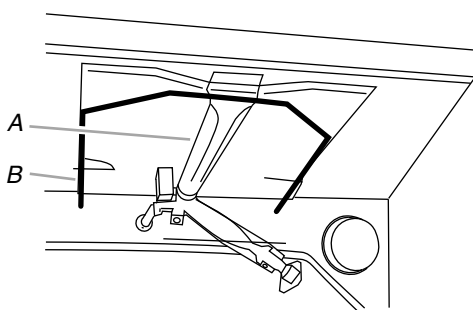
A. Virole de réglage d'admission d'air
B. Vis de blocage

- Appuyer sur la touche CANCEL/OFF (annulation/arrêt).
- Réinstaller la plaque d'accès au brûleur de cuisson au four.

Contrôle du fonctionnement du brûleur du grill

- Fermer la porte du four.
- Appuyer sur la touche BROIL (gril). "FULL BROIL" (gril complet) et la température de cuisson au grill apparaissent sur l'afficheur de température.
- Appuyer sur la touche START (mise en marche). Le témoin "ON" (marche) s'allume.

Le brûleur du four devrait s'allumer en moins de 8 secondes; dans certaines conditions, l'allumage peut ne survenir qu'après 50 à 60 secondes. Sur certains modèles, un élément de chauffage électrique périphérique est également mis en marche.

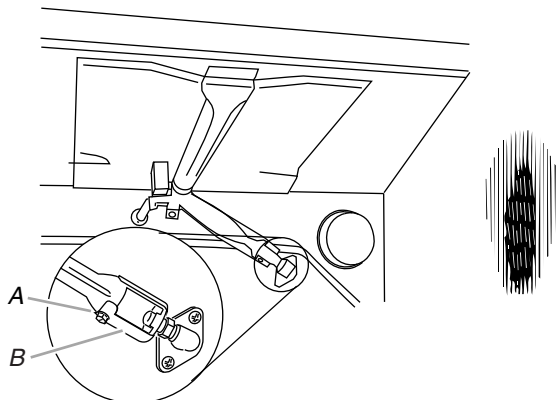


A. Brûleur à gaz
B. Élément de chauffage électrique périphérique

REMARQUE : Pour que le brûleur du grill fonctionne correctement, il faut que la porte du four soit fermée.

Réglage de la taille des flammes sur le brûleur du grill (si nécessaire)

Observer les flammes sur le brûleur du grill à travers le hublot du four. On doit observer des flammes comportant un long cône interne bleu-vert de 1/2" (1,3 cm) et une zone externe bleu foncé; la forme des flammes doit être nette et douce. On ne doit pas observer de pointes jaunes, ni d'effet de soufflage ou séparation entre les flammes et le brûleur.



A. Vis de blocage
B. Virole de réglage d'admission d'air

S'il est nécessaire de régler la taille des flammes :

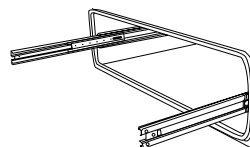
- Utiliser un tournevis à lame plate pour desserrer la vis de blocage de la virole de réglage d'admission d'air, à l'arrière du brûleur du grill.
- Régler la virole selon le besoin.
- Resserrer la vis de blocage.

Réinstallation des grilles du four et du tiroir-réchaud ou du tiroir de remisage

Réinstaller les grilles dans la cavité du four. Réinstaller le tiroir-réchaud ou le tiroir de remisage.

Réinstallation du tiroir-réchaud :

- Aligner les glissières du tiroir avec les guides.



- Pousser le tiroir complètement.

Ouvrir et fermer délicatement le tiroir pour s'assurer qu'il est bien installé sur les glissières.

Réinstallation du tiroir de remisage :

- Placer les extrémités des rails du tiroir dans les guides de la cavité.
- Fermer le tiroir en le faisant glisser.

Achever l'installation

1. Vérifier que toutes les pièces sont maintenant installées. S'il reste une pièce inutilisée, passer en revue les différentes étapes pour découvrir laquelle aurait été oubliée.
2. Vérifier la présence de tous les outils.
3. Jeter ou recycler tous les matériaux d'emballage.
4. Contrôler l'aplomb de la cuisinière. Voir "Réglage de l'aplomb de la cuisinière".
5. Utiliser une solution d'eau tiède et de nettoyant ménager liquide doux pour éliminer tout résidu de cire laissé par les matériaux de protection de l'emballage. Sécher parfaitement avec un linge doux. Pour plus d'informations, consulter la section "Entretien de la cuisinière" dans le Guide d'utilisation et d'entretien ou les instructions d'utilisation.
6. Lire le Guide d'utilisation et d'entretien ou les Instructions d'utilisation.
7. Mettre en marche les brûleurs de surface et le four. Pour des instructions spécifiques concernant l'utilisation de la cuisinière, consulter le Guide d'utilisation et d'entretien ou les instructions d'utilisation.

Si la cuisinière ne fonctionne pas, contrôler ce qui suit :

- Le fusible du domicile est intact et bien serré, ou le disjoncteur ne s'est pas déclenché.
 - La cuisinière est branchée directement sur une prise de courant à 3 alvéoles, reliée à la terre.
 - Le raccordement de l'alimentation électrique a été effectué.
 - Consulter la section "Dépannage" dans le Guide d'utilisation et d'entretien ou les Instructions d'utilisation.
8. Après 5 minutes de fonctionnement de la cuisinière, évaluer le niveau de chaleur. Si la cuisinière est froide, arrêter la cuisinière et déterminer si le robinet d'arrêt d'alimentation en gaz est ouvert.
 - Si le robinet d'arrêt de l'alimentation en gaz est fermé, l'ouvrir, puis répéter le test de 5 minutes décrit ci-dessus.
 - Si le robinet d'arrêt de l'alimentation en gaz est ouvert, appuyer sur le bouton CANCEL (annulation) sur le tableau de commande du four et contacter un technicien qualifié.

Si vous avez besoin d'assistance ou de service :

Veillez consulter la section "Assistance ou service" dans le Guide d'utilisation et d'entretien ou la page de couverture des instructions d'utilisation, ou contacter le revendeur qui vous a vendu la cuisinière.

CONVERSIONS POUR CHANGEMENT DE GAZ

Les conversions pour changement de gaz naturel à propane ou de propane à gaz naturel doivent être effectuées par un installateur qualifié.

⚠ AVERTISSEMENT



Risque d'explosion

Utiliser une canalisation neuve d'arrivée de gaz approuvée par la CSA International.

Installer un robinet d'arrêt.

Bien serrer chaque organe de connexion de la canalisation de gaz.

En cas de connexion au gaz propane, demander à une personne qualifiée de s'assurer que la pression de gaz ne dépasse pas 36 cm (14 po) de la colonne d'eau.

Par personne qualifiée, on comprend :

le personnel autorisé de chauffage,
le personnel autorisé d'une compagnie de gaz, et
le personnel d'entretien autorisé.

Le non-respect de ces instructions peut causer un décès, une explosion ou un incendie.

Conversion pour l'alimentation au propane

⚠ AVERTISSEMENT



Risque de basculement

Un enfant ou une personne adulte peut faire basculer la cuisinière, ce qui peut causer un décès.

Fixer la bride antibasculement au plancher ou au mur, conformément aux instructions d'installation.

Faire glisser de nouveau la cuisinière de façon à ce que le pied arrière de la cuisinière se trouve dans la fente de la bride antibasculement.

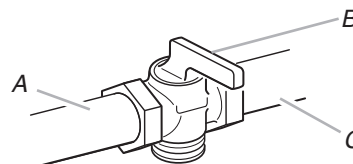
Réengager la bride antibasculement si la cuisinière a été déplacée.

Ne pas faire fonctionner la cuisinière si la bride antibasculement n'est pas installée et engagée.

Le non-respect de ces instructions peut causer un décès ou des brûlures graves aux enfants et aux adultes.

Conversion du détendeur

1. Tourner le robinet d'arrêt manuel en position fermée.
2. Débrancher la cuisinière ou déconnecter la source de courant électrique.



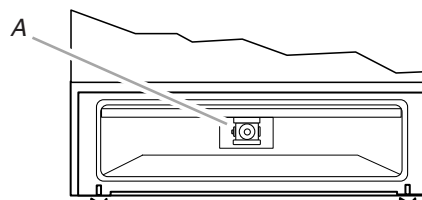
A. Vers la cuisinière

B. Robinet d'arrêt manuel - manette à la position de fermeture

C. Canalisation de gaz

3. Retirer le tiroir-réchaud ou le tiroir de remisage. Voir la section "Retrait du tiroir-réchaud ou du tiroir de remisage" pour des instructions. Identifier le détendeur à l'arrière du compartiment du tiroir de remisage ou du tiroir-réchaud.

REMARQUE : Dans le cas d'un modèle avec tiroir-réchaud, on doit retirer le couvercle de l'ouverture d'accès du détendeur.



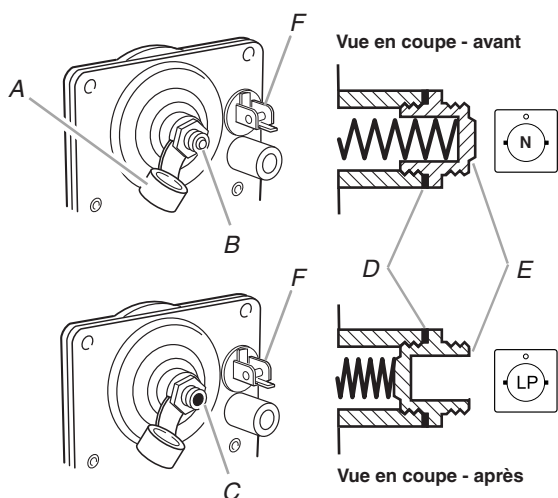
A. Détendeur

IMPORTANT : Ne pas enlever le détendeur.

Détendeur

- Ôter le couvercle de plastique du capuchon du détendeur.
- Faire tourner le capuchon du détendeur (avec la marque "N" à l'avant du détendeur) dans le sens antihoraire avec une clé, pour l'enlever.

REMARQUE : Ne pas enlever le ressort situé sous le capuchon.

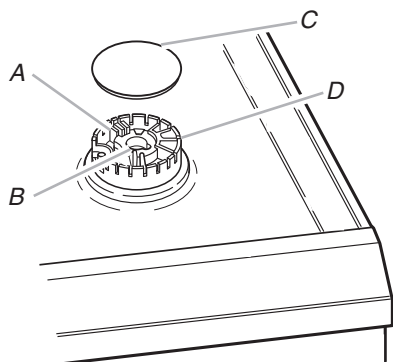


- A. Couvercle de plastique
 B. Capuchon du détendeur; extrémité borgne vers l'extérieur
 C. Capuchon du détendeur, extrémité ouverte vers l'extérieur
 D. Joint
 E. Capuchon du détendeur
 F. Robinet du détendeur (illustré à la position d'ouverture)

- Inverser la position du capuchon du détendeur avant de le réinstaller sur le détendeur; l'extrémité ouverte doit être orientée vers l'extérieur, et les lettres "LP" doivent être visibles.
- Réinstaller le couvercle de plastique par-dessus le capuchon du détendeur.

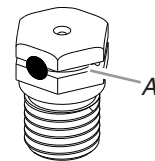
Conversion des brûleurs standard de la table de cuisson

- Enlever le chapeau de brûleur.
- Avec un tournevis TORX® T20®, enlever la base du brûleur.
- Appliquer du ruban adhésif de masquage à l'extrémité d'un tourne-écrou de 7 mm pour retenir le gicleur dans le tourne-écrou durant l'opération. Appuyer vers le bas pour engager le tourne-écrou sur le gicleur; faire tourner le gicleur dans le sens antihoraire puis soulever pour l'enlever; conserver le gicleur.



- A. Électrode d'allumage
 B. Ouverture du tube de gaz
 C. Chapeau de brûleur
 D. Base du brûleur

- Chaque gicleur est marqué d'un chiffre gravé et d'un point coloré, et comporte une rainure dans la zone hexagonale. Remplacer le gicleur pour gaz naturel par le gicleur correct pour propane.



A. Rainure

Le tableau qui suit permet de sélectionner l'emplacement correct du gicleur pour propane pour chaque brûleur.

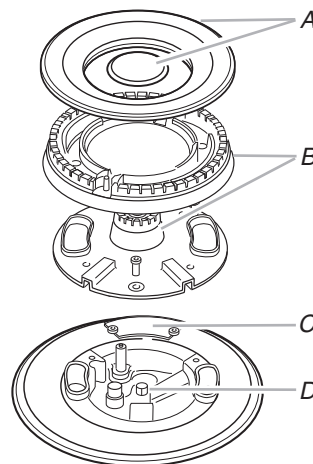
Gicleurs pour propane pour brûleurs standard de la table de cuisson

Position du brûleur	Capacité thermique du brûleur	Couleur	Taille
Côté avant droit	5 000 BTU/h	Rouge	0,70 mm
Côté avant gauche	13 000 BTU/h	Vert	1,10 mm
Côté arrière droit	10 000 BTU/h	Bleu	0,95 mm
Côté arrière gauche	5 000 BTU/h	Rouge	0,70 mm

- Placer les gicleurs pour gaz naturel dans le sachet de plastique, pour réutilisation ultérieure; conserver ces pièces avec les documents et manuels.
- Réinstaller le chapeau de brûleur.
- Répéter les étapes 1 à 6 pour chaque brûleur, sauf le brûleur à flamme TripleTier® (sur certains modèles). Voir la section "Conversion pour un brûleur à flamme TripleTier®" dans la section "Conversion pour l'alimentation au propane".

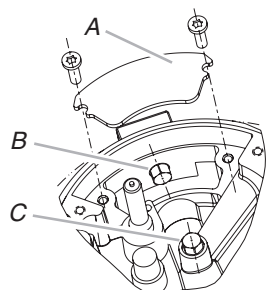
Conversion pour un brûleur à flamme TripleTier® (sur certains modèles)

- Enlever le chapeau de brûleur.
- Utiliser un tournevis TORX® T20® pour enlever la tête du brûleur.
- Enlever la plaque associée au gicleur externe.



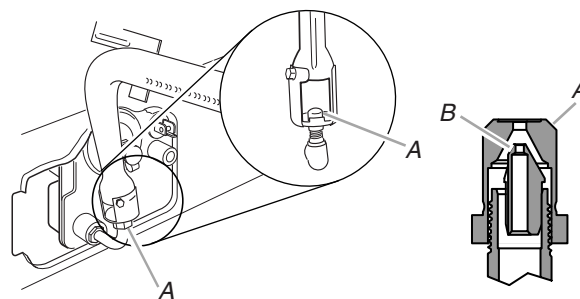
- A. Chapeaux de brûleur
 B. Têtes de brûleur
 C. Plaque d'accès au gicleur externe
 D. Gicleur interne

IMPORTANT : Le brûleur à flamme TripleTier® comporte 2 gicleurs. Ne pas oublier de changer aussi le gicleur externe, situé sous la plaque.



A. Plaque
B. Gicleur externe
C. Gicleur interne

Il ne sera pas possible de régler correctement les flammes sur le brûleur de cuisson au four si cette conversion n'est pas exécutée. Voir la section "Réglage des flammes sur le brûleur de cuisson au four" dans la section "Système d'allumage électronique".



A. Injecteur femelle
B. Broche

- Appliquer du ruban adhésif de masquage à l'extrémité d'un tourne-écrou de 7 mm pour retenir le gicleur interne dans le tourne-écrou durant l'opération. Appuyer vers le bas pour engager le tourne-écrou sur le gicleur interne; faire tourner le gicleur dans le sens antihoraire puis soulever pour l'enlever. Conserver le gicleur interne à part.
- Utiliser une clé mixte de 7 mm pour enlever le gicleur externe. Faire tourner le gicleur dans le sens antihoraire. Conserver le gicleur externe à part.
- Remplacer le gicleur pour gaz naturel par le gicleur pour propane correct. Le tableau qui suit permet de sélectionner le gicleur pour propane correct pour chaque cas.

Gicleurs pour propane pour brûleurs à flamme TripleTier®

Position du brûleur	Capacité thermique du brûleur	Couleur	Taille
Côté avant gauche (brûleur externe TripleTier®)	11 800 BTU/h	Marron	1 mm
Côté avant gauche (brûleur interne TripleTier®)	2 200 BTU/h	Orange	0,42 mm

- Réinstaller la plaque de brûleur, la tête de brûleur et le chapeau de brûleur.
- Placer les gicleurs pour gaz naturel dans le sachet de plastique pour réutilisation ultérieure; conserver ces pièces avec les documents et manuels.

Conversion du brûleur de cuisson au four

- Ôter les grilles du four.
- Avec une clé mixte de 1/2", faire tourner l'injecteur femelle dans le sens horaire pour l'amener en contact ferme avec la broche (environ 2 à 2 1/2 tours).

IMPORTANT : Ne pas serrer excessivement.

REMARQUE : En tournant l'injecteur femelle dans le sens horaire, on diminue la taille de la flamme, en le tournant dans le sens antihoraire, on augmente la taille de la flamme.

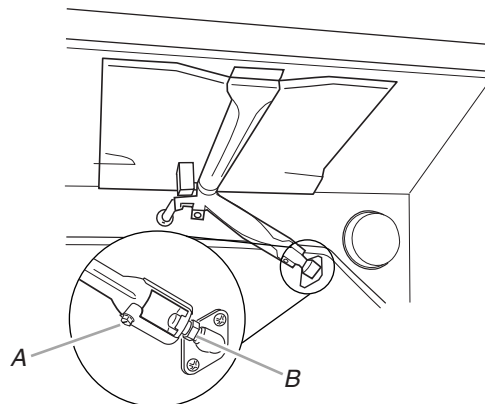
Conversion du brûleur du gril

- Avec une clé mixte de 1/2", faire tourner l'injecteur femelle dans le sens horaire pour l'amener en contact ferme avec la broche (environ 2 à 2 1/2 tours).

IMPORTANT : Ne pas serrer excessivement.

REMARQUE : En tournant l'injecteur femelle dans le sens horaire, on diminue la taille de la flamme, en le tournant dans le sens antihoraire, on augmente la taille de la flamme.

Il ne sera pas possible de régler correctement les flammes sur le brûleur du gril si cette conversion n'est pas exécutée. Voir la section "Réglage des flammes sur le brûleur du gril" dans la section "Système d'allumage électronique".



A. Vis de blocage
B. Injecteur femelle

- Réinstaller le tiroir-réchaud ou le tiroir de remisage. Voir la section "Réinstallation des grilles du four et du tiroir-réchaud ou du tiroir de remisage" pour des instructions.
- Achever l'installation. Voir les sections "Raccordement au gaz" et "Système d'allumage électronique".

Il est très important de vérifier l'établissement de flammes correctes sur les brûleurs de la table de cuisson et le brûleur du four. Il doit y avoir un petit cône interne bleu distinct de 1/4" (0,6 cm) à 1/2" (1,3 cm). Le cône externe n'est pas aussi distinct que le cône interne. Les flammes d'un brûleur alimenté au propane comportent une pointe légèrement jaune.

IMPORTANT : Il peut être nécessaire de modifier le réglage de la position "LO" (débit thermique minimum) des flammes pour chaque brûleur de la table de cuisson.

Conversion pour l'alimentation au gaz naturel

AVERTISSEMENT



Risque de basculement

Un enfant ou une personne adulte peut faire basculer la cuisinière, ce qui peut causer un décès.

Fixer la bride antibasculement au plancher ou au mur, conformément aux instructions d'installation.

Faire glisser de nouveau la cuisinière de façon à ce que le pied arrière de la cuisinière se trouve dans la fente de la bride antibasculement.

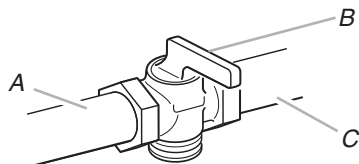
Réengager la bride antibasculement si la cuisinière a été déplacée.

Ne pas faire fonctionner la cuisinière si la bride antibasculement n'est pas installée et engagée.

Le non-respect de ces instructions peut causer un décès ou des brûlures graves aux enfants et aux adultes.

Conversion du détendeur

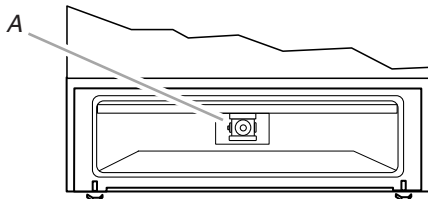
1. Tourner le robinet d'arrêt manuel en position de fermeture.
2. Débrancher la cuisinière ou déconnecter la source de courant électrique.



- A. Vers la cuisinière
- B. Robinet d'arrêt manuel - manette à la position de fermeture
- C. Canalisation de gaz

3. Retirer le tiroir-réchaud ou le tiroir de remisage. Voir la section "Retrait du tiroir-réchaud ou du tiroir de remisage" pour des instructions. Identifier le détendeur à l'arrière du tiroir de remisage ou du tiroir-réchaud.

REMARQUE : Dans le cas d'un modèle avec tiroir-réchaud, on doit retirer le couvercle de l'ouverture d'accès du détendeur.



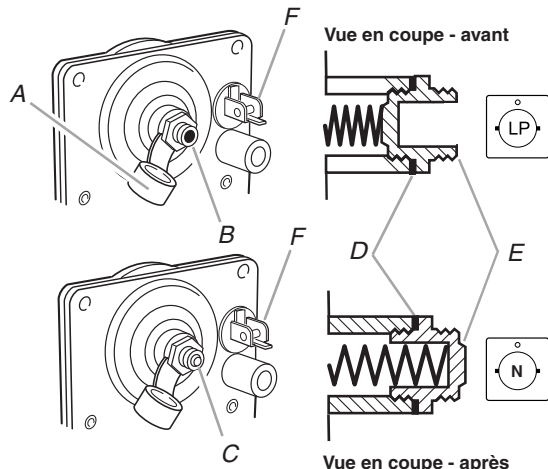
A. Détendeur

IMPORTANT : Ne pas enlever le détendeur.

Détendeur

4. Ôter le couvercle de plastique du capuchon du détendeur.
5. Faire tourner le capuchon du détendeur (avec la marque "LP" à l'avant du détendeur) dans le sens antihoraire avec une clé, pour l'enlever.

REMARQUE : Ne pas enlever le ressort situé sous le capuchon.

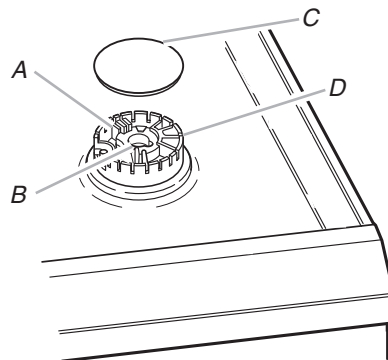


- A. Couvercle de plastique
- B. Capuchon du détendeur; extrémité ouverte vers l'extérieur
- C. Capuchon du détendeur, extrémité borgne vers l'extérieur
- D. Joint
- E. Capuchon du détendeur
- F. Robinet d'arrêt du détendeur (illustré en position d'ouverture)

6. Inverser la position du capuchon du détendeur avant de le réinstaller sur le détendeur; l'extrémité borgne doit être orientée vers l'extérieur, et la lettre "N" doit être visible.
7. Réinstaller le couvercle de plastique par-dessus le capuchon du détendeur.

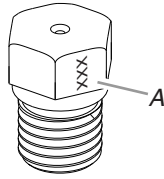
Conversion des brûleurs standard de surface

1. Enlever le chapeau de brûleur.
2. Avec un tournevis TORX® T20®, enlever la base du brûleur.
3. Appliquer du ruban adhésif de masquage à l'extrémité d'un tourne-écrou de 7 mm pour retenir le gicleur dans le tourne-écrou durant l'opération. Appuyer vers le bas pour engager le tourne-écrou sur le gicleur; faire tourner le gicleur dans le sens antihoraire puis soulever pour l'enlever; conserver le gicleur.



- A. Électrode d'allumage
- B. Ouverture du tube de gaz
- C. Chapeau de brûleur
- D. Base du brûleur

4. Chaque gicleur est marqué d'un chiffre gravé sur le côté. Remplacer le gicleur pour propane par le gicleur correct pour gaz naturel.



A. Chiffre gravé

Le tableau qui suit permet de sélectionner l'emplacement correct du gicleur pour gaz naturel pour chaque brûleur.

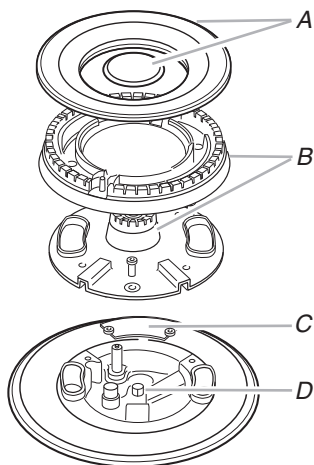
Gicleurs pour gaz naturel pour brûleurs standard de surface

Position du brûleur	Capacité thermique du brûleur	Taille
Côté avant droit	6 000 BTU/h	1,10 mm
Côté avant gauche	14 000 BTU/h	1,70 mm
Côté arrière droit	12 500 BTU/h	1,61 mm
Côté arrière gauche	6 000 BTU/h	1,10 mm

- Placer les gicleurs pour propane dans le sachet de plastique, pour réutilisation ultérieure; conserver ces pièces avec les documents et manuels.
- Réinstaller le chapeau de brûleur.
- Répéter les étapes 1 à 6 pour les brûleurs restants, sauf le brûleur à flamme TripleTier® (sur certains modèles). Voir la section "Conversion pour un brûleur à flamme TripleTier®" dans la section "Conversion pour l'alimentation au gaz naturel".

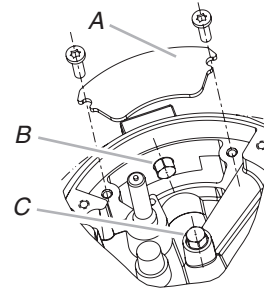
Conversion pour un brûleur à flamme TripleTier® (sur certains modèles)

- Enlever le chapeau de brûleur.
- Utiliser un tournevis TORX® T20® pour enlever la tête du brûleur.
- Enlever la plaque située sur le gicleur externe.



A. Chapeaux de brûleur
 B. Têtes de brûleur
 C. Plaque d'accès au gicleur externe
 D. Gicleur interne

IMPORTANT : Le brûleur à flamme TripleTier® comporte 2 gicleurs. Ne pas oublier de changer aussi le gicleur externe, situé sous la plaque.



A. Plaque
 B. Gicleur externe
 C. Gicleur interne

- Appliquer du ruban adhésif de masquage à l'extrémité d'un tourne-écrou de 7 mm pour retenir le gicleur interne dans le tourne-écrou durant l'opération. Appuyer vers le bas pour engager le tourne-écrou sur le gicleur interne; faire tourner le gicleur dans le sens antihoraire puis soulever pour l'enlever; conserver le gicleur à part.
- Utiliser une clé mixte de 7 mm pour enlever le gicleur externe. Faire tourner le gicleur dans le sens antihoraire; conserver le gicleur à part.
- Remplacer le gicleur pour propane par le gicleur pour gaz naturel correct. Le tableau qui suit permet de sélectionner l'emplacement correct du gicleur pour gaz naturel pour chaque cas.

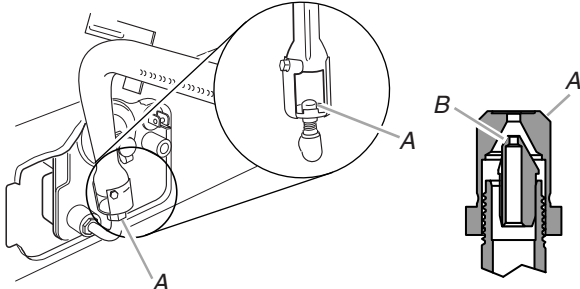
Gicleurs pour gaz naturel pour brûleurs à flamme TripleTier®

Position du brûleur	Capacité thermique du brûleur	Taille
Côté avant gauche (brûleur externe TripleTier®)	12 200 BTU/h	1,70 mm
Côté avant gauche (brûleur interne TripleTier®)	2 800 BTU/h	0,70 mm

- Réinstaller la plaque de brûleur, la tête de brûleur et le chapeau de brûleur.
- Placer les gicleurs pour propane dans le sachet de plastique, pour réutilisation ultérieure; conserver ces pièces avec les documents et manuels.

Conversion du brûleur de cuisson au four

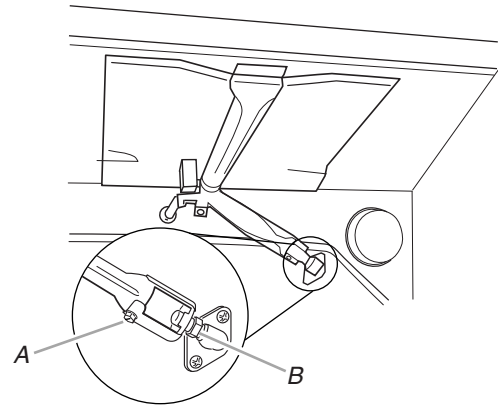
1. Ôter les grilles du four.
2. Avec une clé mixte de 1/2", desserrer l'injecteur femelle pour l'écartier de la broche (environ 2 à 2 1/2 tours). Il ne sera pas possible de régler correctement les flammes sur le brûleur de cuisson au four si cette conversion n'est pas exécutée. Voir la section "Réglage des flammes sur le brûleur de cuisson au four" dans la section "Système d'allumage électronique".



A. Injecteur femelle
B. Broche

Conversion du brûleur du grill

1. Avec une clé mixte de 1/2", desserrer l'injecteur femelle pour l'écartier de la broche (environ 2 à 2 1/2 tours). Il ne sera pas possible de régler correctement les flammes sur le brûleur du grill si cette conversion n'est pas exécutée. Voir la section "Réglage des flammes sur le brûleur du grill" dans la section "Système d'allumage électronique".



A. Vis de blocage
B. Injecteur femelle

2. Réinstaller le tiroir-réchaud ou le tiroir de remisage. Voir la section "Réinstallation des grilles du four et du tiroir-réchaud ou du tiroir de remisage" pour des instructions.
3. Achever l'installation. Voir les sections "Raccordement à la canalisation de gaz" et "Système d'allumage électronique".
Il est très important de vérifier l'établissement de flammes correctes sur les brûleurs de la table de cuisson et le brûleur de cuisson au four. Les flammes d'un brûleur alimenté au gaz naturel ne comportent pas une pointe jaune.

IMPORTANT : Il peut être nécessaire de modifier le réglage de la position "LO" (débit thermique minimum) des flammes pour chaque brûleur de la table de cuisson.