

INSTALLATION INSTRUCTIONS 24" (61 CM) GAS BUILT-IN COOKTOP

INSTRUCTIONS D'INSTALLATION DE LA TABLE DE CUISSON À GAZ ENCASTRÉE DE 24" (61 CM)

Table of Contents/Table des matières

COOKTOP SAFETY	1	SÉCURITÉ DE LA TABLE DE CUISSON	10
INSTALLATION REQUIREMENTS	2	EXIGENCES D'INSTALLATION	11
Tools and Parts	2	Outillage et pièces	11
Location Requirements	3	Exigences d'emplacement	11
Electrical Requirements	4	Spécifications électriques	12
Gas Supply Requirements	4	Spécifications de l'alimentation en gaz	13
INSTALLATION INSTRUCTIONS	5	INSTRUCTIONS D'INSTALLATION	15
Prepare Cooktop	5	Préparation de la table de cuisson	15
Install Cooktop	6	Installation de la table de cuisson.....	15
Make Gas Connection	7	Raccordement au gaz	16
Complete Installation	8	Achever l'installation	17
WIRING DIAGRAM	9	SCHÉMAS DE CÂBLAGE	19

COOKTOP SAFETY

Your safety and the safety of others are very important.

We have provided many important safety messages in this manual and on your appliance. Always read and obey all safety messages.



This is the safety alert symbol.

This symbol alerts you to potential hazards that can kill or hurt you and others.

All safety messages will follow the safety alert symbol and either the word "DANGER" or "WARNING."

These words mean:

⚠ DANGER

You can be killed or seriously injured if you don't immediately follow instructions.

⚠ WARNING

You can be killed or seriously injured if you don't follow instructions.

All safety messages will tell you what the potential hazard is, tell you how to reduce the chance of injury, and tell you what can happen if the instructions are not followed.

IMPORTANT:

Installer: Leave installation instructions with the homeowner.

Homeowner: Keep installation instructions for future reference.

IMPORTANT :

Installateur : Remettre les instructions d'installation au propriétaire.

Propriétaire : Conserver les instructions d'installation pour référence ultérieure.

WARNING: If the information in this manual is not followed exactly, a fire or explosion may result causing property damage, personal injury or death.

- Do not store or use gasoline or other flammable vapors and liquids in the vicinity of this or any other appliance.
- **WHAT TO DO IF YOU SMELL GAS:**
 - Do not try to light any appliance.
 - Do not touch any electrical switch.
 - Do not use any phone in your building.
 - Immediately call your gas supplier from a neighbor's phone. Follow the gas supplier's instructions.
 - If you cannot reach your gas supplier, call the fire department.
- Installation and service must be performed by a qualified installer, service agency or the gas supplier.

WARNING: Gas leaks cannot always be detected by smell.
Gas suppliers recommend that you use a gas detector approved by UL or CSA.
For more information, contact your gas supplier.
If a gas leak is detected, follow the "What to do if you smell gas" instructions.

IMPORTANT: Do not install a ventilation system that blows air downward toward this gas cooking appliance. This type of ventilation system may cause ignition and combustion problems with this gas cooking appliance resulting in personal injury or unintended operation.

INSTALLATION REQUIREMENTS

Tools and Parts

Gather the required tools and parts before starting installation.

Tools needed

- Tape measure
- Flat-blade screwdriver
- $\frac{15}{16}$ " combination wrench
- Pipe wrench
- Pliers
- Level
- Phillips screwdriver
- Marker or pencil
- Pipe-joint compound resistant to LP gas
- Noncorrosive leak-detection solution

Parts supplied

- Gas pressure regulator
- Burner grates (2 or 4 depending on model)
- Burner caps (4)
- Clamping brackets (4)
- 1" (2.5 cm) clamping screws (4)

Parts needed

Check local codes and consult gas supplier. Check existing gas supply and electrical supply. See "Electrical Requirements" and "Gas Supply Requirements" sections.

Location Requirements

IMPORTANT: Observe all governing codes and ordinances. Do not obstruct flow of combustion and ventilation air.

- It is the installer's responsibility to comply with installation clearances specified on the model/serial rating plate. The model/serial rating plate is located on the underside of the cooktop burner box.
- To eliminate the risk of burns or fire by reaching over heated surface units, cabinet storage space located above the surface units should be avoided. If cabinet storage is to be provided, the risk can be reduced by installing a range hood that projects horizontally a minimum of 5" (12.7 cm) beyond the bottom of the cabinets.
- All openings in the wall or floor where cooktop is to be installed must be sealed.
- Cabinet opening dimensions that are shown must be used. Given dimensions are minimum clearances.
- Grounded electrical supply is required. See "Electrical Requirements" section.
- Proper gas supply connection must be available. See "Gas Supply Requirements" section.
- The cooktop is designed to hang from the countertop by its side or rear flanges.
- The gas and electric supply should be located as shown in "Cabinet Requirements" in this section so that they are accessible without requiring removal of the cooktop.
- Provide cutout in right rear corner of cutout enclosure as shown to provide clearance for gas inlet and power supply cord, and to allow the rating label to be visible.
- Ovens approved for this type of installation will have an approval label located on the top of the oven. If you do not find this label, contact your dealer to confirm that your oven is approved. Refer to oven manufacturer's Installation Instructions for approval for built-in undercounter use and proper cutout dimensions.

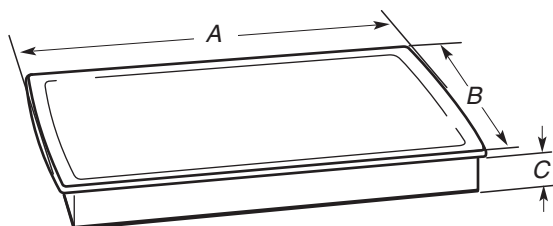
IMPORTANT: To avoid damage to your cabinets, check with your builder or cabinet supplier to make sure that the materials used will not discolor, delaminate or sustain other damage.

Mobile Home - Additional Installation Requirements

The installation of this cooktop must conform to the Manufactured Home Construction and Safety Standard, Title 24 CFR, Part 3280 (formerly the Federal Standard for Mobile Home Construction and Safety, Title 24, HUD Part 280). When such standard is not applicable, use the Standard for Manufactured Home Installations, ANSI A225.1/NFPA 501A or with local codes.

In Canada, the installation of this cooktop must conform with the current standards CAN/CSA-A240-latest edition, or local codes.

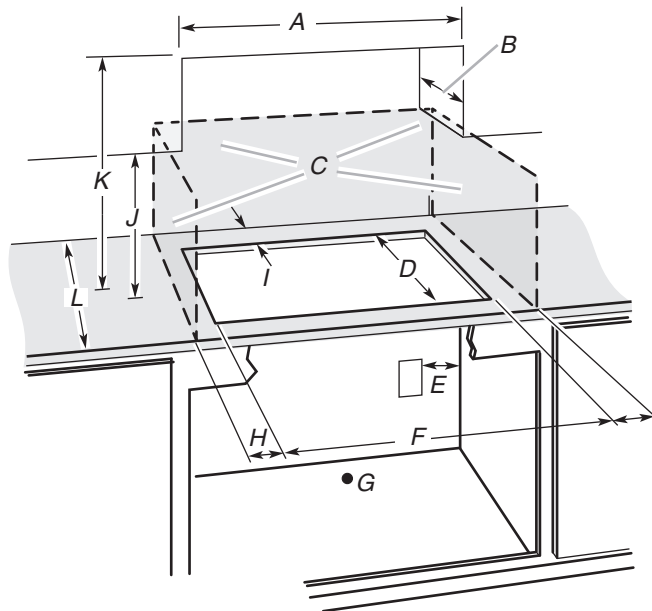
Product Dimensions



- A. 23 1/4" (59.0 cm)
- B. 20 5/64" (51.0 cm)
- C. 1 1/2" (3.8 cm)

Cabinet Requirements

IMPORTANT: If installing a range hood or microwave hood combination above the range, follow the range hood or microwave hood combination installation instructions for dimensional clearances above the cooktop surface.



- A. 24" (60 cm) minimum - 26" (68 cm) maximum distance between overhead cabinets
- B. 13" (33 cm) minimum recommended upper cabinet depth
- C. 30" (75 cm) minimum combustible area above countertop (shown by dashed box above)
- D. 18 29/32" (48 cm)
- E. Grounded outlet - Locate within 24" (61 cm) of right rear corner of cutout.
- F. 22 3/64" (56 cm)
- G. Gas line opening -
Wall: anywhere 5" (12.7 cm) below underside of countertop.
Cabinet floor: anywhere within 6" (15.2 cm) of rear wall is recommended.
- H. 4" (10 cm) minimum distance to nearest left and right side combustible surface
- I. 2 7/8" (7 cm) minimum distance to rear combustible surface
- J. 20 1/2" (52 cm) minimum clearance from upper cabinet to countertop within minimum horizontal clearances to cooktop
- K. 29 1/2" (75 cm) minimum clearance between top of cooktop platform and bottom of uncovered wood or metal cabinet (24" [61 cm] minimum clearance if bottom of wood or metal cabinet is covered by not less than 1/4" [0.6 cm] flame retardant millboard covered with not less than No. 28 MSG sheet steel, 0.015" [0.04 cm] stainless steel, or 0.024" [0.06 cm] aluminum or 0.020" [0.05 cm] copper)
- L. 25 5/6" (65.09 cm) minimum countertop depth is required.

NOTES: After making the countertop cutout, some installations may require notching down the base cabinet side walls to clear the burner box. To avoid this modification, use a base cabinet with sidewalls wider than the cutout.

If cabinet has a drawer, a 4" (10.2 cm) depth clearance from the countertop to the top of the drawer (or other obstruction) in base cabinet is required. The drawer depth may need to be shortened to avoid interfering with the regulator.

Electrical Requirements

⚠ WARNING



Electrical Shock Hazard

Plug into a grounded 3 prong outlet.

Do not remove ground prong.

Do not use an adapter.

Do not use an extension cord.

Failure to follow these instructions can result in death, fire, or electrical shock.

IMPORTANT: The cooktop must be electrically grounded in accordance with local codes and ordinances, or in the absence of local codes, with the Canadian Electrical Code, CSA C22.1.

This cooktop is equipped with an electronic ignition system that will not operate if plugged into an outlet that is not properly polarized.

If codes permit and a separate ground wire is used, it is recommended that a qualified electrical installer determine that the ground path is adequate.

A copy of the above code standards can be obtained from:

Canadian Standards Association
178 Rexdale Blvd.
Toronto, ON M9W 1R3 CANADA

- A 120 volt, 60 Hz, AC only, 15-amp, fused electrical circuit is required. A time-delay fuse or circuit breaker is also recommended. It is recommended that a separate circuit serving only this cooktop be provided.
- Electronic ignition systems operate within wide voltage limits, but proper grounding and polarity are necessary. Check that the outlet provides 120-volt power and is correctly grounded.
- The wiring diagrams are provided with this cooktop. See "Wiring Diagram" section.

Gas Supply Requirements

⚠ WARNING



Explosion Hazard

Use a new CSA International approved gas supply line.

Install a shut-off valve.

Securely tighten all gas connections.

If connected to LP, have a qualified person make sure gas pressure does not exceed 14" (36 cm) water column.

Examples of a qualified person include:

licensed heating personnel,
authorized gas company personnel, and
authorized service personnel.

Failure to do so can result in death, explosion, or fire.

Observe all governing codes and ordinances.

IMPORTANT: This installation must conform with all local codes and ordinances. In the absence of local codes, installation must conform with CAN/CGA B149 - latest edition.

IMPORTANT: Leak testing of the range must be conducted according to the manufacturer's instructions.

Type of Gas

Natural Gas:

This cooktop is design-certified by CSA International for use with Natural gas or, after proper conversion, for use with LP gas.

- This cooktop is factory set for use with Natural gas. To convert to LP gas, see the Gas Conversion instructions provided in the package containing literature. The model/serial rating plate located on the right/center underside of the burner box has information on the types of gas that can be used. If the types of gas listed do not include the type of gas available, check with the local gas supplier.

LP Gas conversion:

Conversion must be done by a qualified service technician.

No attempt shall be made to convert the appliance from the gas specified on the model/serial rating plate for use with a different gas without consulting the serving gas supplier. See the Gas Conversion instructions provided in the package containing literature.

Gas Supply Line

- Provide a gas supply line of 3/4" (1.9 cm) rigid pipe to the cooktop location. A smaller size pipe on longer runs may result in insufficient gas supply. Pipe-joint compounds that resist the action of LP gas must be used. Do not use TEFLON^{®†} tape. With LP gas, piping or tubing size can be 1/2" minimum. Usually, LP gas suppliers determine the size and materials used in the system.

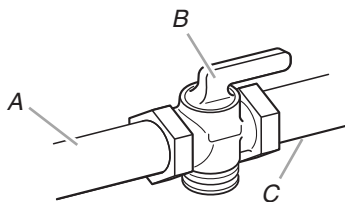
†TEFLON is a registered trademark of E.I. Du Pont De Nemours and Company.

Flexible metal appliance connector:

- If local codes permit, use a 1/2" or 3/4" I.D. flexible stainless steel tubing gas connector, designed by CSA to connect the cooktop to the rigid gas supply line.



- A 3/8" male pipe thread is needed for connection to the female pipe threads of the inlet to the appliance pressure regulator.
- Do not kink or damage the flexible metal tubing when moving the cooktop.
- Must include a shutoff valve:
The supply line must be equipped with a manual shutoff valve. This valve should be located in the same room but external to the cooktop opening, such as an adjacent cabinet. It should be in a location that allows ease of opening and closing. Do not block access to shutoff valve. The valve is for turning on or shutting off gas to the cooktop.



A. Gas supply line
B. Shutoff valve "open" position
C. To cooktop

Gas Pressure Regulator

The gas pressure regulator supplied with this cooktop must be used. The inlet pressure to the regulator should be as follows for proper operation:

Natural Gas:

Minimum pressure: 5" (15.2 cm) WCP

Maximum pressure: 7" to 14" (17.8 cm to 35.5 cm) WCP

LP Gas:

Minimum pressure: 11" (27.9 cm) WCP

Maximum pressure: 14" (35.5 cm) WCP

Contact local gas supplier if you are not sure about the inlet pressure.

Burner Input Requirements

Input ratings shown on the model/serial rating plate are for elevations up to 2,000 ft (609.6 m).

For elevations above 2,000 ft (609.6 m), ratings are reduced at a rate of 4% for each 1,000 ft (304.8 m) above sea level (not applicable for Canada).

Gas Supply Pressure Testing

Line pressure testing above 1/2 psi gauge (14" WCP)

The appliance and its individual shutoff valve must be disconnected from the gas supply piping system during any pressure testing of that system at test pressures in excess of 1/2 psi (3.5 kPa).

Line pressure testing at 1/2 psi gauge (14" WCP) or lower

The appliance must be isolated from the gas supply piping system by closing its individual manual shutoff valve during any pressure testing of the gas supply piping system at test pressures equal to or less than 1/2 psi (3.5 kPa).

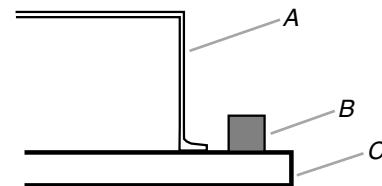
INSTALLATION INSTRUCTIONS

Prepare Cooktop

Decide on the final location for the cooktop.

1. Place the cooktop upside down on a covered work surface. Clean along the outside surface of the cooktop where the foam strip will be applied.
2. Remove foam strip from package containing literature. Remove backing from foam strip. Apply foam strip adhesive-side down around bottom of cooktop, flush with edge.

NOTE: The foam strip helps keep the underside of the cooktop glass free from debris and helps the cooktop sit flat on uneven counters.



A. Cooktop base
B. Foam strip
C. Cooktop

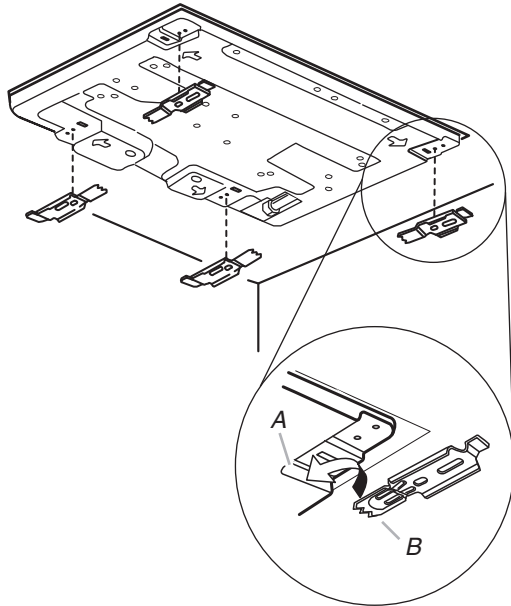
Install Cooktop

1. Position the cooktop in the cutout.

NOTE: Your cooktop can be installed in a variety of countertop thicknesses. Select the bracket installation that best fits your countertop thickness.

Bracket installation for 3/4" (20 mm) thick countertops

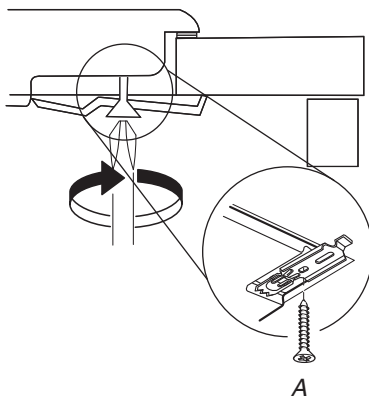
1. Position a clamping bracket as shown.
2. Insert the tab on the clamping bracket into the slot in the cooktop in the right, front corner of the cooktop as shown.



A. Slot
B. Tab

3. Insert a 1" (2.5 cm) clamping screw through the clamping bracket and into the cooktop as shown and tighten the screw.

NOTE: Do not overtighten the screw and bend the bracket.

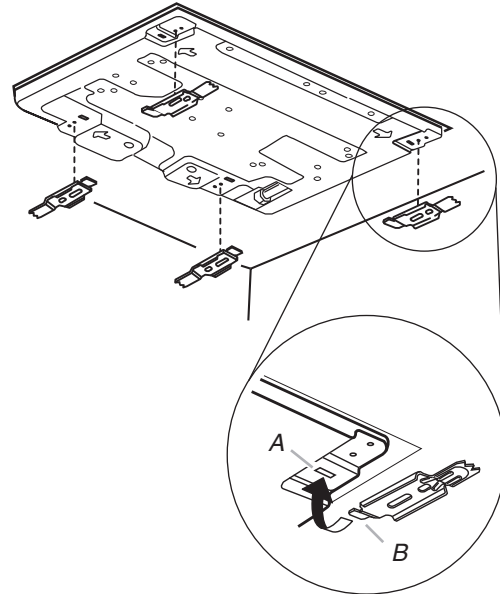


A. 1" (2.5 cm) clamping screw

4. Repeat steps 1 through 3 and install clamping brackets in the remaining corners of the cooktop.

Bracket installation for 1 1/2" (30 mm) - 2" (50 mm) thick countertops

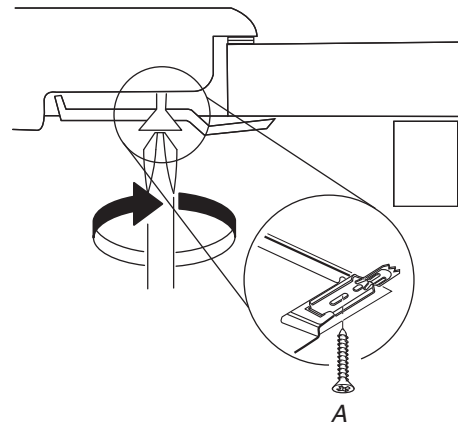
1. Position a clamping bracket as shown.
2. Insert the tab on the clamping bracket into the slot in the cooktop in the right, front corner of the cooktop as shown.



A. Slot
B. Tab

3. Insert a 1" (2.5 cm) clamping screw through the clamping bracket and into the cooktop as shown and tighten the screw.

NOTE: Do not overtighten the screw and bend the bracket.



A. 1" (2.5 cm) clamping screw

4. Repeat steps 1 through 3 and install clamping brackets in the remaining corners of the cooktop.

Make Gas Connection

WARNING



Explosion Hazard

Use a new CSA International approved gas supply line.

Install a shut-off valve.

Securely tighten all gas connections.

If connected to LP, have a qualified person make sure gas pressure does not exceed 14" (36 cm) water column.

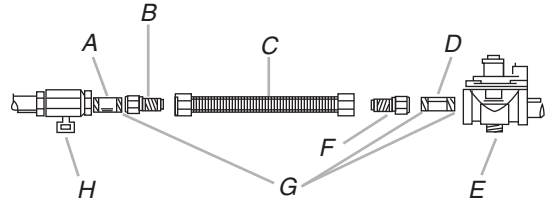
Examples of a qualified person include:

licensed heating personnel,
authorized gas company personnel, and
authorized service personnel.

Failure to do so can result in death, explosion, or fire.

Typical flexible connection

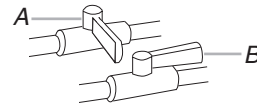
1. Apply pipe-joint compound made for use with LP gas to the smaller thread ends of the flexible connector adapters (see G in the following illustration).
2. Attach 1 adapter and nipple to the gas pressure regulator and the other adapter and nipple to the gas shutoff valve. Tighten both adapters and nipples.
3. Use a $1\frac{5}{16}$ " combination wrench and pliers to attach the flexible connector to the adapters. Check that connector is not kinked.



- | | |
|----------------------------|-----------------------------|
| A. $\frac{3}{8}$ " nipple | E. Gas pressure regulator |
| B. $\frac{3}{8}$ " adapter | F. $\frac{1}{2}$ " adapter |
| C. Flexible connector | G. Use pipe-joint compound. |
| D. $\frac{1}{2}$ " nipple | H. Manual gas shutoff valve |

Complete Connection

1. Open the manual shutoff valve in the gas supply line. The valve is open when the handle is parallel to the gas pipe.

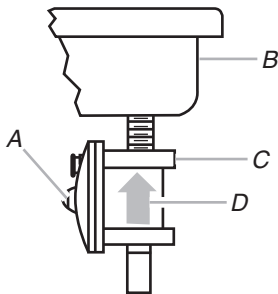


- A. Closed valve
B. Open valve

2. Test all connections by brushing on an approved noncorrosive leak-detection solution. Bubbles will show a leak. Correct any leak found.
3. Remove surface burner caps and grates from parts package. Align notches in burner caps with pins in burner base. Burner caps should be level when properly positioned. If burner caps are not properly positioned, surface burners will not light. Place burner grates over burners and caps.

To Assemble Pressure Regulator:

1. Using 2 or more people, stand the cooktop on its side or back.
2. Connect the flexible stainless steel connector to the pressure regulator using a $\frac{1}{2}$ " male pipe thread adapter and nipple. A combination of pipe fittings must be used to connect the cooktop to the existing gas line. Shown following is a typical connection. Your connection may be different, according to the supply line type, size and location.
3. Install the pressure regulator with the arrow pointing up toward the bottom of the cooktop base and in a position where you can reach the regulator cap.

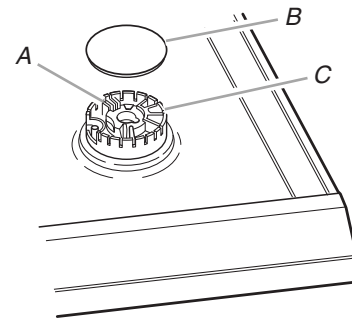


- A. Access cap
B. Rear of cooktop
C. Gas pressure regulator
D. Up arrow. Regulator must be installed with arrow pointing up to cooktop bottom.

IMPORTANT: All connections must be wrench-tightened. Do not make connections to the gas regulator too tight. Making the connections too tight may crack the regulator and cause a gas leak. Do not allow the regulator to turn on the pipe when tightening fittings.

Use only pipe-joint compound made for use with Natural and LP gas.

Do not use TEFLON® tape. You will need to determine the fittings required depending on your installation.



- A. Igniter electrode
B. Burner cap
C. Burner base

⚠ WARNING



Electrical Shock Hazard

Plug into a grounded 3 prong outlet.

Do not remove ground prong.

Do not use an adapter.

Do not use an extension cord.

Failure to follow these instructions can result in death, fire, or electrical shock.

4. Plug into a grounded 3 prong outlet.

Complete Installation

Electronic Ignition System

Initial lighting and gas flame adjustments

Surface burners use electronic igniters in place of standing pilots. When the cooktop control knob is turned to the "LITE" position, the system creates a spark to light the burner. This sparking continues, as long as the control knob is pushed in.

Check Operation of Surface Burners

1. Push in and turn the surface burners control knobs to the "LITE" position.

The surface burner flame should light within 10 seconds. The first time a surface burner is lit it may take longer than 10 seconds to light because of air in the gas line.

2. Check the flame on "HI" for a blue color. It should be clean and soft in character. No yellow tip, blowing or lifting of flame should occur. Occasional orange flashes are normal and reflect different elements in the air or gas.
3. Repeat at "LO" position.
4. After verifying the proper burner operation, turn the control knobs to "OFF."

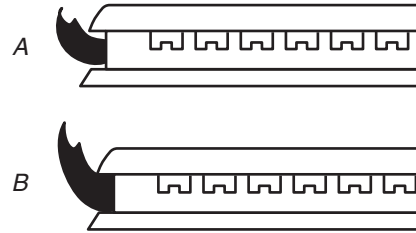
If burners do not light properly:

- Turn surface burner control knob to the "OFF" position.
- Check that the power supply cord is plugged in and the circuit breaker has not tripped or the fuse blown.
- Check that the gas shutoff valves are set to the "open" position.
- Check that burner caps are properly positioned on burner bases.

Recheck operation of surface burners. If a burner does not light at this point, turn control knobs to "OFF" and contact your dealer or authorized service company for assistance.

Adjust Flame Height

The surface burner "low" flame should be a steady blue flame approximately 1/4" (0.64 cm) high.

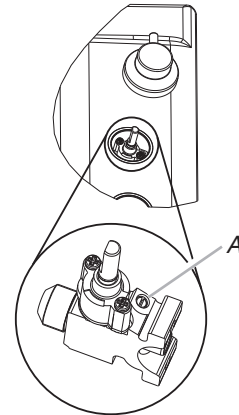


A. Low flame

B. High flame

If the "low" flame needs to be adjusted:

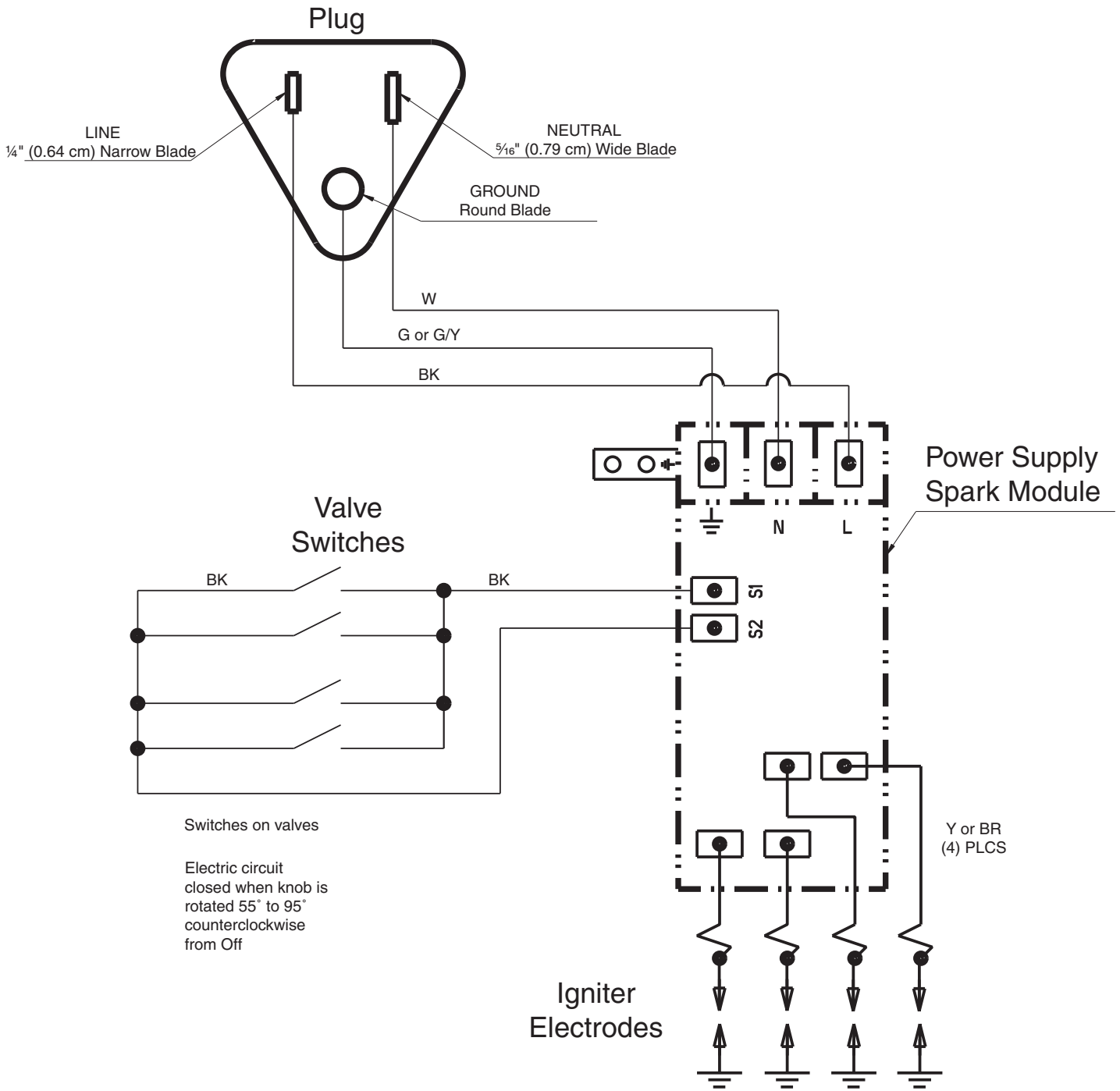
The flame can be adjusted using the adjustment screws underneath the control knob.



A. Adjustment screw

1. Set the burner flame to "LO."
2. Remove the control knob.
3. Tighten screw to reduce flame height. Loosen screw to increase flame height.
4. Replace the control knob.
5. Test the flame by turning the control from "LO" to "HI," checking the flame at each setting.

WIRING DIAGRAM



SÉCURITÉ DE LA TABLE DE CUISSON

Votre sécurité et celle des autres est très importante.

Nous donnons de nombreux messages de sécurité importants dans ce manuel et sur votre appareil ménager. Assurez-vous de toujours lire tous les messages de sécurité et de vous y conformer.



Voici le symbole d'alerte de sécurité.

Ce symbole d'alerte de sécurité vous signale les dangers potentiels de décès et de blessures graves à vous et à d'autres.

Tous les messages de sécurité suivront le symbole d'alerte de sécurité et le mot "DANGER" ou "AVERTISSEMENT". Ces mots signifient :

⚠ DANGER

Risque possible de décès ou de blessure grave si vous ne suivez pas immédiatement les instructions.

⚠ AVERTISSEMENT

Risque possible de décès ou de blessure grave si vous ne suivez pas les instructions.

Tous les messages de sécurité vous diront quel est le danger potentiel et vous disent comment réduire le risque de blessure et ce qui peut se produire en cas de non-respect des instructions.

AVERTISSEMENT : Si les renseignements dans ce manuel ne sont pas exactement observés, un incendie ou une explosion peut survenir, causant des dommages au produit, des blessures ou un décès.

- Ne pas entreposer ni utiliser de l'essence ou d'autres vapeurs ou liquides inflammables à proximité de cet appareil ou de tout autre appareil électroménager.
- QUE FAIRE DANS LE CAS D'UNE ODEUR DE GAZ :
 - Ne pas tenter d'allumer un appareil.
 - Ne pas toucher à un commutateur électrique.
 - Ne pas utiliser le téléphone se trouvant sur les lieux.
 - Appeler immédiatement le fournisseur de gaz à partir du téléphone d'un voisin. Suivre ses instructions.
 - À défaut de joindre votre fournisseur de gaz, appeler les pompiers.
- L'installation et l'entretien doivent être effectués par un installateur qualifié, une agence de service ou le fournisseur de gaz.

AVERTISSEMENT : L'odorat ne permet pas toujours la détection d'une fuite de gaz.

Les distributeurs de gaz recommandent l'emploi d'un détecteur de gaz (homologation UL ou CSA).

Pour d'autre information, contacter le fournisseur de gaz local.

En cas de détection d'une fuite de gaz, exécuter les instructions "Que faire dans le cas d'une odeur de gaz".

IMPORTANT : Ne pas installer un système de ventilation avec évacuation de l'air vers le bas, qui évacuerait l'air vers cet appareil de cuisson à gaz. Ce type de système de ventilation peut causer des problèmes d'allumage et de combustion avec cet appareil de cuisson à gaz et entraîner des blessures corporelles ou le fonctionnement non désiré de cet appareil.

EXIGENCES D'INSTALLATION

Outillage et pièces

Rassembler les outils et pièces nécessaires avant de commencer l'installation.

Outillage nécessaire

- Mètre-ruban
- Tournevis à lame plate
- Clé mixte de $15/16$ "
- Clé à tube
- Pince
- Niveau
- Tournevis Phillips
- Marqueur ou crayon
- Composé d'étanchéité des raccords filetés - résistant au propane
- Solution non corrosive de détection des fuites

Pièces fournies

- Détendeur
- Grilles de brûleur (2 ou 4 en fonction du modèle)
- Chapeaux de brûleur (4)
- Supports de fixation (4)
- Vis de fixation de 1" (2,5 cm) (4)

Pièces nécessaires

Vérifier les codes locaux et consulter le fournisseur de gaz. Vérifier l'alimentation en gaz et l'alimentation électrique existantes. Voir les sections "Spécifications électriques" et "Spécifications de l'alimentation en gaz".

Exigences d'emplacement

IMPORTANT : Observer les dispositions de tous les codes et règlements en vigueur. Ne pas obstruer le flux de combustion et de ventilation.

- C'est à l'installateur qu'incombe la responsabilité de respecter les distances de séparation spécifiées sur la plaque signalétique de l'appareil. La plaque signalétique des numéros de modèle et de série est située sur la face inférieure de la boîte de brûleur de la table de cuisson.
- Afin de supprimer le risque de brûlures ou d'incendie lié au fait de se pencher au-dessus des plaques de cuisson chaudes, les placards de rangement au-dessus des plaques doivent être évités. Si des placards de rangement sont envisagés, le risque peut être réduit par l'installation d'une hotte de cuisine dépassant le bas des placards d'au moins 5" (12,7 cm) horizontalement.
- Toutes les ouvertures dans le mur ou le plancher de l'emplacement d'installation de la table de cuisson doivent être scellées.
- Respecter les dimensions indiquées pour les ouvertures à découper dans les placards. Ces dimensions constituent les valeurs minimales des dégagements.
- Une source d'électricité avec liaison à la terre est nécessaire. Voir la section "Spécifications électriques".

- Un raccordement adéquat à l'alimentation en gaz doit être disponible. Voir la section "Spécifications de l'alimentation en gaz".
- De par sa conception, la table de cuisson est retenue sur le plan de travail par ses rebords latéraux ou arrière.
- Veiller à placer les alimentations en gaz et électricité selon les indications de la section "Spécifications du placard" pour qu'elles soient accessibles sans avoir à retirer la table de cuisson.
- Prévoir une ouverture dans le panneau arrière du placard à droite – voir l'illustration – pour le passage de la canalisation de gaz et du câble d'alimentation électrique et pour que l'étiquette signalétique soit visible.
- Les fours approuvés pour ce type d'installation comportent une étiquette d'approbation située sur le dessus du four. Si vous ne trouvez pas cette étiquette, contactez votre marchand pour confirmer que le four est bien approuvé. Consulter les Instructions d'installation du fabricant du four pour obtenir l'approbation de l'utilisation en encastrement et les dimensions correctes.

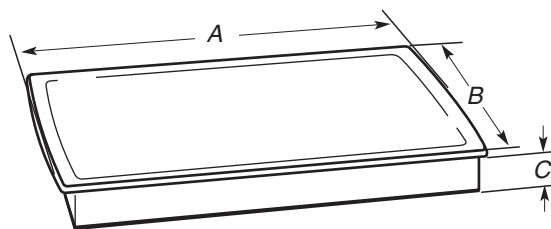
IMPORTANT : Afin d'éviter d'endommager les placards, consulter l'installateur ou le fabricant des placards pour déterminer si les matériaux utilisés peuvent subir un changement de couleur, une déstratification ou d'autres dommages.

Résidence mobile – Spécifications additionnelles à respecter lors de l'installation

L'installation de cette table de cuisson doit être conforme aux dispositions de la norme Manufactured Home Construction and Safety Standard, Title 24 CFR, Part 3280 (anciennement Federal Standard for Mobile Home Construction and Safety, Title 24, HUD Part 280). Lorsque cette norme n'est pas applicable, l'installation doit satisfaire aux critères de la norme Standard for Manufactured Home Installations, ANSI A225.1/NFPA 501A ou aux dispositions des codes locaux.

Au Canada, l'installation de cette table de cuisson doit satisfaire aux stipulations de la version la plus récente de la norme CAN/CSA-A240 ou des codes locaux en vigueur.

Dimensions du produit



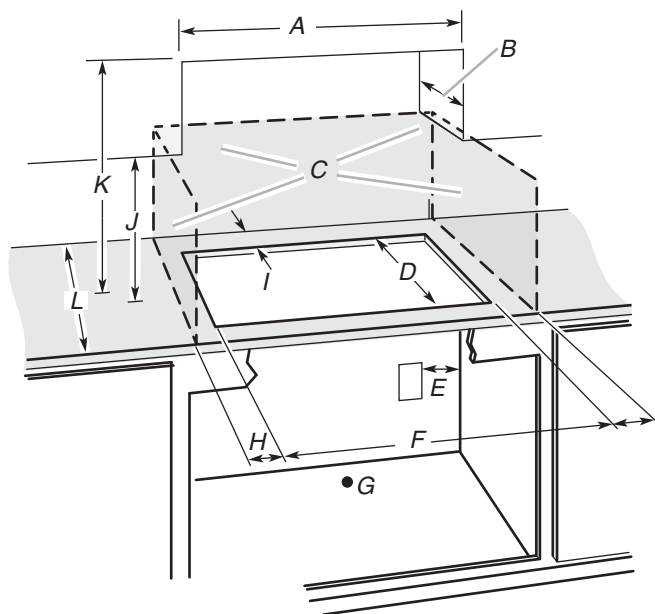
A. $23 \frac{1}{4}$ " (59,0 cm)

B. $20 \frac{5}{64}$ " (51,0 cm)

C. $1 \frac{1}{2}$ " (3,8 cm)

Spécifications du placard

IMPORTANT : En cas d'installation d'une hotte ou d'un ensemble hotte/micro-ondes au-dessus de la cuisinière, suivre les instructions fournies avec la hotte ou l'ensemble hotte/micro-ondes concernant les dimensions de dégagement à respecter au-dessus de la surface de la table de cuisson.



- A. Distance minimale 24" (60 cm) et distance maximale 26" (68 cm) entre placards muraux
- B. Profondeur minimale recommandée des placards muraux 13" (33 cm)
- C. Volume sans matière combustible au-dessus du plan de travail (espace délimité par des lignes pointillées ci-dessus) 30" (75 cm)
- D. 18^{29/32}" (48 cm)
- E. Prise de courant reliée à la terre à placer à moins de 24" (61 cm) de l'angle arrière droit de l'ouverture découpée
- F. 22^{3/4}" (56 cm)
- G. Ouverture pour canalisation de gaz -
Mur : n'importe où, à 5" (12,7 cm) au-dessous de la face inférieure du plan de travail. Plancher du placard : n'importe où, à moins de 6" (15,2 cm) du mur arrière (recommandation)
- H. Distance minimale de 4" (10 cm) avec la surface combustible à gauche ou à droite la plus proche
- I. Distance minimale de 2^{7/8}" (7 cm) avec la surface combustible arrière
- J. Distance minimale de 20^{1/2}" (52 cm) entre le placard supérieur et le plan de travail, les dégagements horizontaux minimum par rapport à la table de cuisson étant respectés
- K. Dégagement minimum de 29^{1/2}" (75 cm) entre le dessus de la table de cuisson et le fond du placard de bois ou de métal non protégé
Dégagement minimum de 24" [61 cm] lorsque le fond du placard de bois ou de métal est couvert d'une plaque ignifugée d'au moins 1/4" [0,6 cm] recouverte d'une tôle d'acier de 28 MSG, d'acier inoxydable de 0,015" [0,04 cm], d'aluminium de 0,024" [0,06 cm], ou de cuivre de 0,020" [0,05 cm] d'épaisseur au minimum.
- L. Un plan de travail de profondeur de 25^{5/8}" (65,09 cm) ou plus est nécessaire.

REMARQUES : Dans certaines configurations d'installation, il peut s'avérer nécessaire, après le découpage de l'ouverture dans le plan de travail, d'entailler les parois latérales du placard inférieur pour le passage de la boîte des brûleurs. Pour éviter cette modification, utiliser un placard inférieur dont la largeur entre parois latérales est supérieure à celle de l'ouverture découpée.

Si le placard comporte un tiroir, on devra ménager un dégagement de 4" (10,2 cm) ou plus entre le plan de travail et le dessus du tiroir (ou autre obstacle) dans le placard inférieur. Il pourra être nécessaire de réduire la profondeur du tiroir pour éviter qu'il touche le détendeur.

Spécifications électriques

⚠ AVERTISSEMENT



Risque de choc électrique

Brancher sur une prise à 3 alvéoles reliée à la terre.

Ne pas enlever la broche de liaison à la terre.

Ne pas utiliser un adaptateur.

Ne pas utiliser un câble de rallonge.

Le non-respect de ces instructions peut causer un décès, un incendie ou un choc électrique.

IMPORTANT : La table de cuisson doit être reliée à la terre conformément aux codes et règlements locaux, ou en l'absence de codes locaux, au Code canadien de l'électricité CSA C22.1.

Cette table de cuisson est dotée d'un système d'allumage électronique qui ne fonctionnera pas en cas de branchement dans une prise qui n'est pas correctement polarisée.

Si les codes le permettent et si on utilise un conducteur distinct de liaison à la terre, il est recommandé qu'un électricien qualifié vérifie la qualité de la liaison à la terre.

Pour obtenir un exemplaire des normes des codes ci-dessus, contacter :

Canadian Standards Association
178 Rexdale Blvd.
Toronto, ON M9W 1R3 CANADA

- L'appareil doit être alimenté par un circuit de 120 V, CA seulement, 60 Hz, protégé par fusible de 15 ampères. On recommande également d'utiliser un fusible ou un disjoncteur temporisé. Il est recommandé de raccorder la table de cuisson sur un circuit distinct exclusif à cet appareil.
- Les systèmes d'allumage électronique fonctionnent avec des limites de tension étendues, mais une liaison à la terre correcte et une polarité appropriée sont nécessaires. Vérifier que la prise fournit une alimentation de 120 V et qu'elle est correctement reliée à la terre.
- Les schémas de câblage sont fournis avec cette cuisinière. Voir la section "Schémas de câblage".

⚠ AVERTISSEMENT



Risque d'explosion

Utiliser une canalisation neuve d'arrivée de gaz approuvée par la CSA International.

Installer un robinet d'arrêt.

Bien serrer chaque organe de connexion de la canalisation de gaz.

En cas de connexion au gaz propane, demander à une personne qualifiée de s'assurer que la pression de gaz ne dépasse pas 36 cm (14 po) de la colonne d'eau.

Par personne qualifiée, on comprend :

le personnel autorisé de chauffage,
le personnel autorisé d'une compagnie de gaz, et
le personnel d'entretien autorisé.

Le non-respect de ces instructions peut causer un décès, une explosion ou un incendie.

Observer les dispositions de tous les codes et règlements en vigueur.

IMPORTANT : L'installation doit satisfaire aux critères de tous les codes et règlements locaux. En l'absence de code local, l'installation doit satisfaire aux prescriptions de la version la plus récente de la norme CAN/CGA B149.

IMPORTANT : Les tests de fuite de la cuisinière doivent être effectués selon les instructions du fabricant.

Type de gaz

Gaz naturel :

La conception de cette table de cuisson a été homologuée par CSA International pour l'alimentation au gaz naturel, ou pour l'alimentation au propane après conversion adéquate.

- Cette table de cuisson a été configurée à l'usine pour l'alimentation au gaz naturel. Pour effectuer la conversion pour une alimentation au propane, voir les instructions de conversion de gaz fournies dans le sachet de documentation. La plaque signalétique des numéros de modèle et de série située sur la face inférieure de la boîte de brûleurs, à droite/au centre, indique les types de gaz utilisables. Si le type de gaz disponible n'est pas mentionné sur la plaque signalétique, consulter le fournisseur local.

Conversion pour l'alimentation au propane :

L'opération de conversion doit être exécutée par un technicien de réparation qualifié.

Ne pas entreprendre de convertir l'appareil pour une utilisation avec un gaz différent de celui indiqué sur la plaque signalétique sans d'abord consulter le fournisseur de gaz. Voir les instructions de conversion de gaz fournies dans le sachet de documentation.

Canalisation d'alimentation en gaz

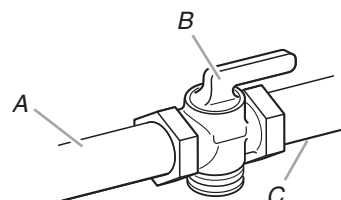
- Installer une canalisation de gaz rigide de 3/4" (1,9 cm) jusqu'à l'emplacement d'installation de la table de cuisson. L'emploi d'une canalisation de diamètre inférieur sur un circuit plus long peut causer une insuffisance du débit d'alimentation en gaz. On doit utiliser un composé d'étanchéité pour tuyauteries résistant à l'action du gaz propane. Ne pas utiliser de ruban TEFLON®. Pour l'alimentation au propane, le diamètre des canalisations doit être de 1/2" au minimum. En général, le fournisseur de gaz propane détermine les matériaux à utiliser et le diamètre approprié.

Raccord métallique flexible :

- Si les codes locaux le permettent, utiliser un connecteur à gaz flexible en acier inoxydable de 1/2" ou 3/4" de diamètre interne, conçu par CSA pour raccorder la table de cuisson à la canalisation rigide d'alimentation en gaz.



- Un raccord avec filetage mâle de 3/8" est nécessaire pour la connexion sur le raccord à filetage femelle à l'entrée du régulateur de pression de l'appareil.
- Ne pas déformer/écraser/endommager le tube métallique flexible lors d'un déplacement de la table de cuisson.
- Robinet d'arrêt nécessaire : La canalisation d'alimentation doit comporter un robinet d'arrêt manuel. Ce robinet doit se trouver en-dehors de la découpe de la table de cuisson, mais il doit se trouver dans la même pièce, par exemple dans un placard adjacent. Il doit se trouver en un endroit facilement accessible pour les manœuvres d'ouverture/fermeture. Ne pas entraver l'accès au robinet d'arrêt manuel. Le robinet d'arrêt manuel est prévu pour ouvrir ou fermer l'alimentation en gaz de la table de cuisson.



A. Canalisation d'alimentation en gaz
B. Robinet d'arrêt manuel en position "ouverte"
C. Vers la table de cuisson

Détendeur

Le détendeur fourni avec cette table de cuisson doit être utilisé. La pression d'alimentation du détendeur doit être comme suit pour un fonctionnement correct :

Gaz naturel :

Pression minimale : 5" (15,2 cm) de colonne d'eau

Pression maximale : 7" à 14" (17,8 cm à 35,5 cm) de colonne d'eau

Gaz propane :

Pression minimale : 11" (27,9 cm) de colonne d'eau

Pression maximale : 14" (35,5 cm) de colonne d'eau.

En cas d'incertitude quant à la pression d'alimentation à établir, contacter le fournisseur de gaz local.

Exigences d'alimentation du brûleur

Les débits thermiques indiqués sur la plaque signalétique correspondent à une altitude d'utilisation inférieure à 2000 pi (609,6 m).

Lorsque l'appareil est utilisé à une altitude supérieure à 2000 pi (609,6 m), on doit réduire le débit thermique indiqué de 4 % pour chaque tranche de 1000 pi (304,8 m) au-dessus du niveau de la mer (non applicable au Canada).

Test de pressurisation de la canalisation de gaz

Pressurisation à une pression supérieure à ½ lb/po² (14" de colonne d'eau)

Pour tout test de pressurisation du système à une pression supérieure à ½ lb/po² (3,5 kPa), on doit déconnecter la table de cuisson et son robinet d'arrêt des canalisations d'alimentation en gaz à pressuriser.

Pressurisation à une pression de ½ lb/po² (14" de colonne d'eau) ou inférieure

L'appareil doit être isolé des canalisations d'alimentation en gaz par la fermeture du robinet d'arrêt manuel individuel durant tout test de pressurisation de la canalisation de gaz à une pression inférieure ou égale à ½ lb/po² (3,5 kPa).

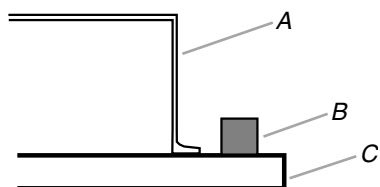
INSTRUCTIONS D'INSTALLATION

Préparation de la table de cuisson

Déterminer l'emplacement final de la table de cuisson.

1. Placer la table de cuisson à l'envers sur une surface de travail couverte. Nettoyer le long de la surface extérieure de la table de cuisson, à l'endroit où la bande de mousse doit être appliquée.
2. Enlever la bande de mousse du sachet de documentation. Retirer l'endos de la bande de mousse. Appliquer le côté adhésif de la bande de mousse autour du dessous de la table de cuisson, en affleurement avec le rebord.

REMARQUE : La bande de mousse protège la face inférieure du verre de la table de cuisson de tout résidu et permet à la table de cuisson de reposer à plat sur des plans de travail irréguliers.



A. Base de la table de cuisson
B. Bande de mousse
C. Table de cuisson

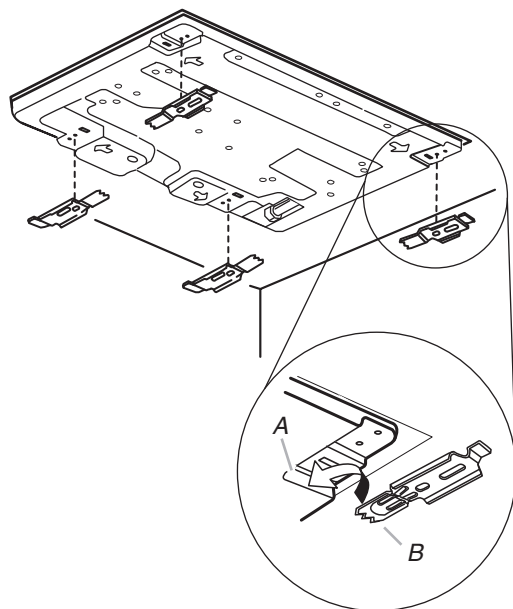
Installation de la table de cuisson

1. Placer la table de cuisson dans l'ouverture.

REMARQUE : La table de cuisson peut être installée sur des plans de travail de diverses épaisseurs. Choisir les brides de fixation qui correspondent le mieux à l'épaisseur du plan de travail.

Montage des brides sur un plan de travail de 3/4" (20 mm) d'épaisseur

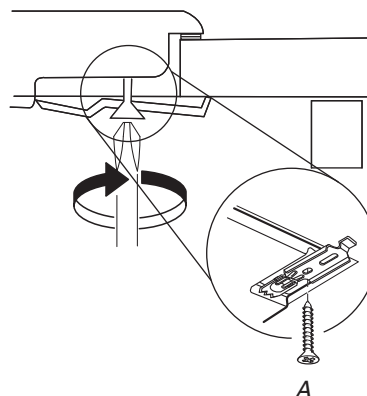
1. Placer une bride de fixation comme illustré.
2. Insérer la patte de la bride de fixation dans la fente du coin avant droit de la table de cuisson comme illustré.



A. Fente
B. Patte

3. Passer une vis de fixation de 1" (2,5 cm) à travers la bride et la visser dans la table de cuisson comme illustré.

REMARQUE : Ne pas tordre la bride par un serrage excessif de la vis.

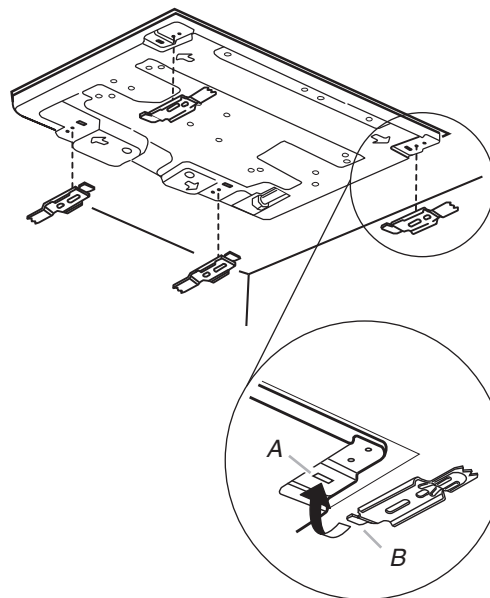


A. Vis de fixation de 1" (2,5 cm)

4. Répéter les étapes 1 à 3 et fixer les brides aux autres coins de la table de cuisson.

Montage des brides sur un plan de travail de 1 1/2" (30 mm) à 2" (50 mm) d'épaisseur

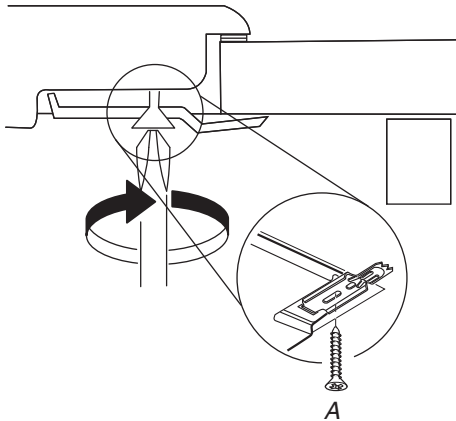
1. Placer une bride de fixation comme illustré.
2. Insérer la patte de la bride de fixation dans la fente du coin avant droit de la table de cuisson comme illustré.



A. Fente
B. Patte

3. Passer une vis de fixation de 1" (2,5 cm) à travers la bride et la visser dans la table de cuisson comme illustré.

REMARQUE : Ne pas tordre la bride par un serrage excessif de la vis.



A. Vis de fixation de 1" (2,5 cm)

4. Répéter les étapes 1 à 3 et fixer les brides aux autres coins de la table de cuisson.

Raccordement au gaz

⚠ AVERTISSEMENT



Risque d'explosion

Utiliser une canalisation neuve d'arrivée de gaz approuvée par la CSA International.

Installer un robinet d'arrêt.

Bien serrer chaque organe de connexion de la canalisation de gaz.

En cas de connexion au gaz propane, demander à une personne qualifiée de s'assurer que la pression de gaz ne dépasse pas 36 cm (14 po) de la colonne d'eau.

Par personne qualifiée, on comprend :

le personnel autorisé de chauffage,
le personnel autorisé d'une compagnie de gaz, et
le personnel d'entretien autorisé.

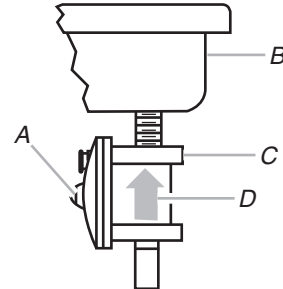
Le non-respect de ces instructions peut causer un décès, une explosion ou un incendie.

Assemblage du détendeur :

1. Placer la table de cuisson en appui sur le côté ou la face arrière; avec l'aide de deux personnes ou plus.
2. Connecter le raccord flexible d'acier inoxydable au détendeur - utiliser un raccord droit et un raccord d'adaptation comportant un filetage mâle de 1/2".

On doit utiliser une combinaison de raccords de tuyauterie pour raccorder la table de cuisson à l'alimentation en gaz existante. On voit ci-dessous une illustration de raccordement typique. Le raccordement peut varier, selon le type, la dimension et l'emplacement du conduit d'alimentation.

3. Orienter la flèche du détendeur vers le haut, vers le fond de la boîte des brûleurs et orienter le détendeur de telle manière que le chapeau du détendeur soit accessible.



A. Chapeau de l'ouverture d'accès

B. Arrière de la table de cuisson

C. Détendeur

D. Flèche vers le haut. Le détendeur doit être installé avec la flèche pointant vers le haut (vers le fond de la table de cuisson).

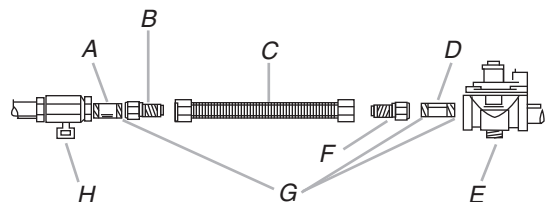
IMPORTANT : Tous les raccords doivent être bien serrés à l'aide d'une clé. Ne pas serrer excessivement les connexions au détendeur. Un serrage excessif pourrait provoquer une fissuration du détendeur et une fuite de gaz. Lors du serrage d'un raccord, empêcher le détendeur de tourner sur le tuyau.

Utiliser uniquement un composé d'étanchéité des tuyauteries conçu pour l'utilisation avec le gaz naturel ou le propane.

Ne pas utiliser de ruban TEFLON®. Il sera nécessaire de choisir les raccords à utiliser en fonction de la configuration d'installation.

Raccordement typique par raccord flexible

1. Appliquer sur les extrémités filetées les plus petites des adaptateurs de raccords flexibles de connexion (voir G sur l'illustration qui suit) un composé d'étanchéité des tuyauteries compatible avec le propane.
2. Connecter un raccord d'adaptation et un raccord droit sur le détendeur, et un raccord d'adaptation et un raccord droit sur le robinet d'arrêt. Serrer les deux raccords droits et les deux raccords d'adaptation.
3. Utiliser une clé mixte de 15/16" et une pince pour fixer le raccord flexible sur les raccords d'adaptation. Vérifier que le raccord n'est pas déformé.



A. Raccord droit de 3/8"

B. Raccord d'adaptation de 3/8"

C. Raccord flexible

D. Raccord droit de 1/2"

E. Détendeur

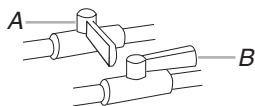
F. Raccord d'adaptation de 1/2"

G. Appliquer un composé d'étanchéité.

H. Robinet d'arrêt manuel

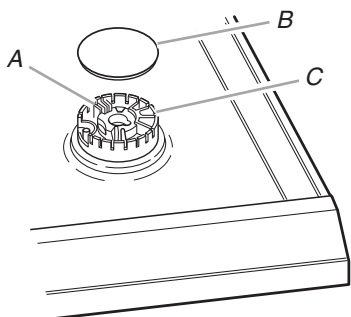
Compléter le raccordement

1. Ouvrir le robinet d'arrêt manuel sur la canalisation de gaz. Le robinet est ouvert lorsque la manette est parallèle à la canalisation.



A. Robinet fermé
B. Robinet ouvert

2. Vérifier tous les raccordements en les badigeonnant d'une solution de détection des fuites non corrosive approuvée. L'apparition de bulles indique une fuite. Réparer toute fuite éventuelle.
3. Ôter les chapeaux de brûleur de surface et les grilles du sachet de pièces. Aligner les encoches des chapeaux de brûleur avec les broches dans la base de chaque brûleur. Un chapeau de brûleur correctement placé doit être horizontal. Si le chapeau de brûleur n'est pas correctement placé, le brûleur ne peut s'allumer. Placer les grilles de brûleur sur les brûleurs et les chapeaux.



A. Électrode d'allumage
B. Chapeau de brûleur
C. Base du brûleur

AVERTISSEMENT



Risque de choc électrique

- Brancher sur une prise à 3 alvéoles reliée à la terre.
- Ne pas enlever la broche de liaison à la terre.
- Ne pas utiliser un adaptateur.
- Ne pas utiliser un câble de rallonge.
- Le non-respect de ces instructions peut causer un décès, un incendie ou un choc électrique.

4. Brancher sur une prise à 3 alvéoles reliée à la terre.

Achever l'installation

Système d'allumage électronique

Allumage initial et réglage des flammes

À la place de flammes de veille, les brûleurs de surface sont dotés d'allumeurs électroniques. Lorsqu'on place le bouton de commande d'un brûleur de la table de cuisson à la position "LITE" (allumage), le système génère des étincelles pour l'allumage du brûleur. La génération d'étincelles se poursuit aussi longtemps que le bouton de commande est laissé enfoncé.

Contrôle du fonctionnement des brûleurs de surface

1. Enfoncer et tourner les boutons de commande des brûleurs de surface à la position "LITE".
Le gaz doit s'enflammer sur le brûleur de surface en moins de 10 secondes. Lors de l'allumage initial du brûleur de surface, le délai d'allumage peut être supérieur à 10 secondes du fait de la présence d'air dans la canalisation de gaz.
2. Vérifier que la flamme est bleue à la position "HI". Elle doit être nette et douce. On ne doit pas observer de pointe jaune, ni d'effet de soufflage ou de séparation entre les flammes et le brûleur. Il est normal d'observer parfois des éclairs orange; ceci est dû à différents éléments dans l'air ou le gaz.
3. Répéter à la position "LO" (basse).
4. Après avoir vérifié le bon fonctionnement du brûleur, tourner les boutons de commande à "OFF" (arrêt).

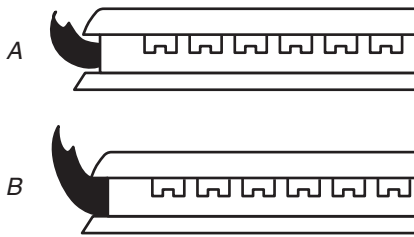
Si les brûleurs ne s'allument pas correctement :

- Ramener le bouton de commande des brûleurs de surface à la position "OFF".
- Vérifier que le cordon d'alimentation est branché, que le disjoncteur ne s'est pas déclenché et qu'aucun fusible n'a grillé.
- Vérifier que chaque robinet d'arrêt est "ouvert".
- Vérifier que le chapeau de brûleur est correctement placé sur la base du brûleur.

S'assurer à nouveau du bon fonctionnement des brûleurs de surface. Si à ce stade, l'un des brûleurs ne s'allume pas, tourner les boutons de commande à "Off" (arrêt) et contacter le revendeur ou un dépanneur agréé.

Réglage de la taille des flammes

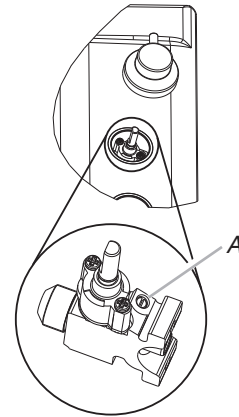
Pour le réglage au débit thermique "minimum" du brûleur de surface, on doit observer des flammes stables bleues d'environ 1/4" (0,64 cm).



A. Débit thermique minimum
B. Débit thermique maximum

S'il est nécessaire de régler la taille des flammes pour le débit thermique minimum :

La taille des flammes peut être réglée à l'aide des vis de réglage situées sous le bouton de commande.

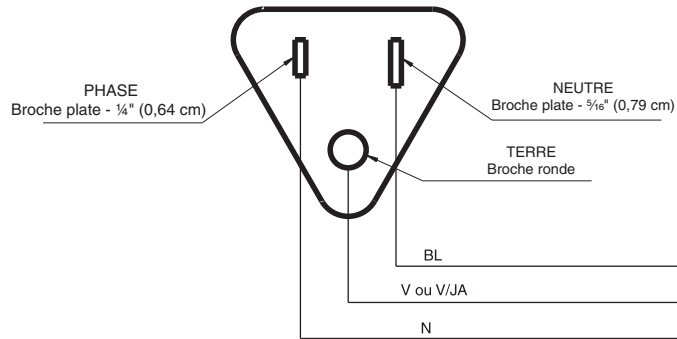


A. Vis de réglage

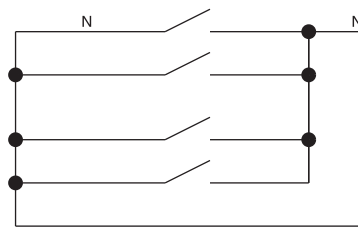
1. Régler la flamme du brûleur à "LO" (basse).
2. Ôter le bouton de commande.
3. Serrer la vis pour réduire la hauteur de la flamme. Desserrer la vis pour augmenter la hauteur de la flamme.
4. Réinstaller le bouton de commande.
5. Tester la flamme en tournant le bouton de commande de la position "LO" (basse) à la position "HI" (élevée) et observer les flammes pour chaque réglage.

SCHÉMAS DE CÂBLAGE

Fiche de branchement

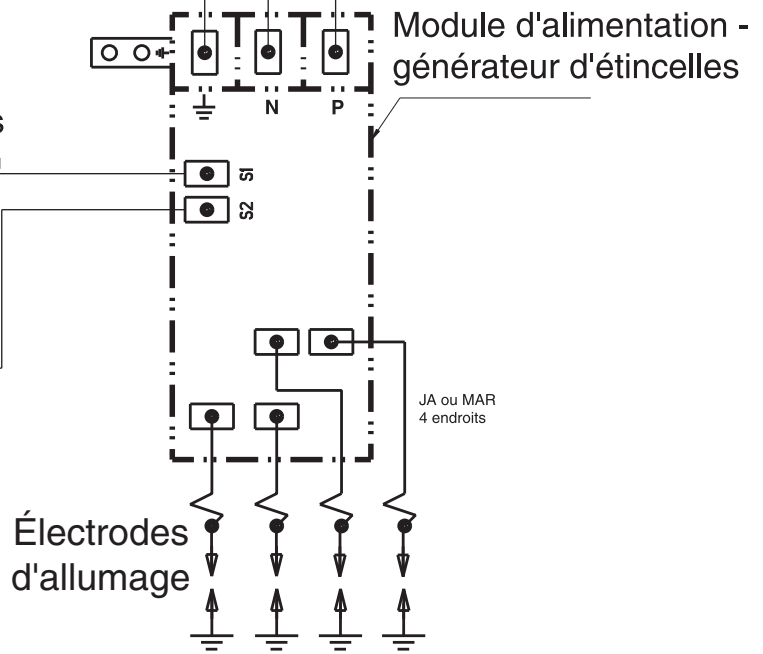


Contacteurs sur les électrovannes



Contacteurs sur les électrovannes

Le circuit électrique se ferme lors d'une rotation du bouton de 55° à 95° dans le sens antihoraire depuis la position Off (arrêt)



501930002219

© 2013.
All rights reserved.
Tous droits réservés.

11/13
Printed in Italy
Imprimé en Italie