

KitchenAid® Pro Line™ Gas Cooktop

PRODUCT MODEL NUMBERS

KGCP462KSS	KGCP482KSS
KGCP463KSS	KGCP483KSS
KGCP467JSS	KGCP484KSS
KGCP467JTL	KGCP487JSS

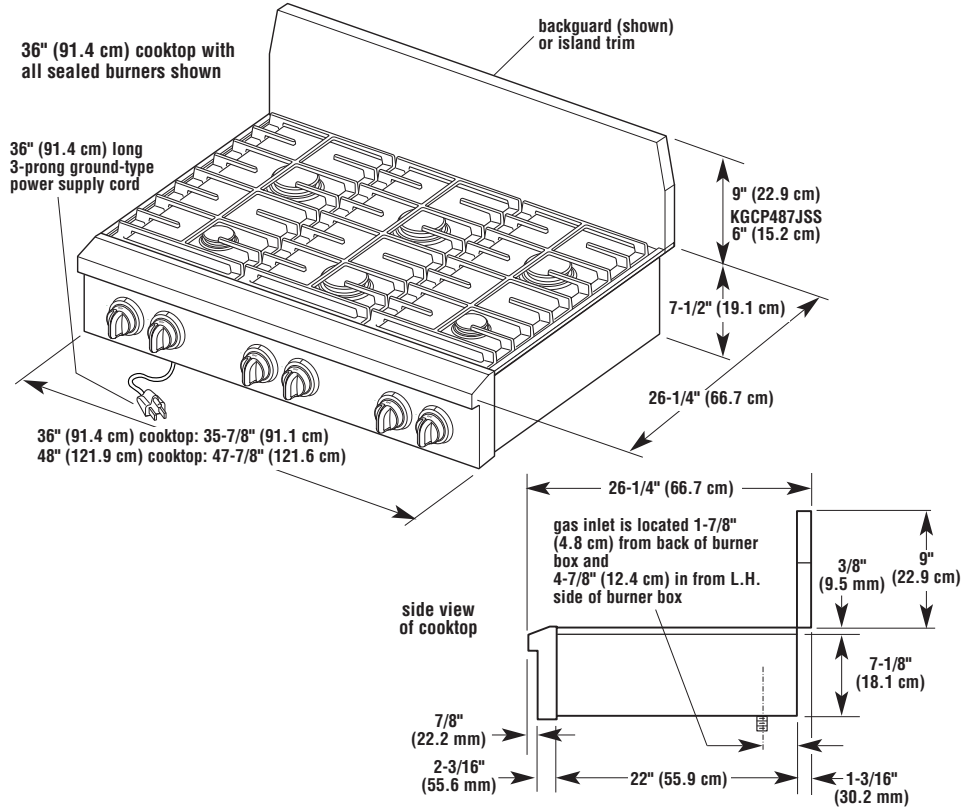
Gas supply: Cooktop is equipped for use with NATURAL gas. Cooktop can be converted to L.P. gas. Gas supply line of 3/4" rigid pipe to cooktop location. If local codes permit, a new AGA or CSA design-certified, 4-5 foot (1.2-1.5 m) long, 1/2" or 3/4" I.D., flexible metal appliance connector is recommended for connecting cooktop to gas supply line. Pressure regulator has 3/8" female pipe threads. The supply line shall be equipped with an approved shutoff valve.

Electrical: 120-volt, 60-Hz, AC-only, 15-amp. electrical supply. Use copper wire only. A time-delay fuse or circuit breaker and separate circuit is recommended.

It is recommended that an overhead vent hood be used with this cooktop. For island installations, a 48" (122 cm) hood is recommended.

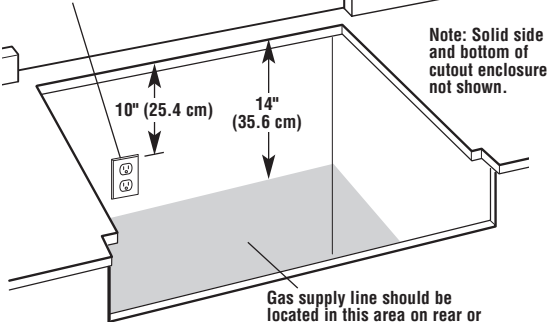
Cooktop location should be away from strong draft areas, such as windows, doors and strong heating vents or fans.

OVERALL DIMENSIONS

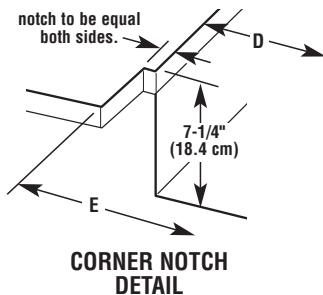


CABINET OPENING DIMENSIONS

3-prong ground-type outlet should be located on left hand side of cutout 8" (20.3 cm) max. from enclosure sidewall.



Gas and Electric Connection Locations



size	model	A		B (min.)		C	D	E
		island trim	backguard	island trim	backguard	backguard opening	cabinet and countertop	countertop only
36" (91.4 cm)	KGCP462K	5" (12.7 cm)	1-3/4" (4.4 cm)	48" (121.9 cm)		36" (91.4 cm)	35-1/4" (89.5 cm)	36" (91.4 cm) or 35-7/8" (91.1 cm) for zero clearance fit
	KGCP463K			49" (124.5 cm) non-combustible surface				
	KGCP467J			49" (124.5 cm)				
48" (121.9 cm)	KGCP482K	6" (15.2 cm)	1-3/4" (4.4 cm)	48" (121.9 cm)	49" (124.5 cm)	48" (121.9 cm)	47-1/4" (120.0 cm)	48" (121.9 cm) or 47-7/8" (121.6 cm) for zero clearance fit
	KGCP483K				48" (121.9 cm)			
	KGCP484K				6" (15.2 cm)			
	KGCP487J				5" (12.7 cm)			
					5" (12.7 cm)			

Note: Dimension "B" can be reduced by 6" (15.2 cm) when bottom of wood or metal cabinet is protected by not less than 0.25" (6.4 mm) flame retardant millboard covered with not less than No. 28 MSG sheet steel, 0.015" (0.4 mm) stainless steel, 0.024" (0.6 mm) aluminum or 0.020" (0.5 mm) copper.

