

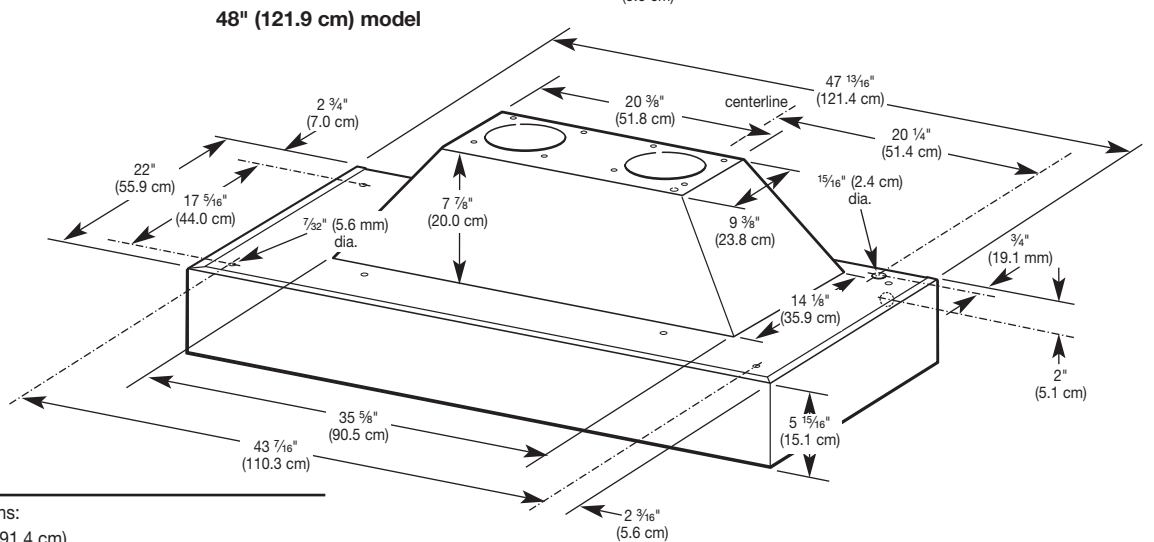
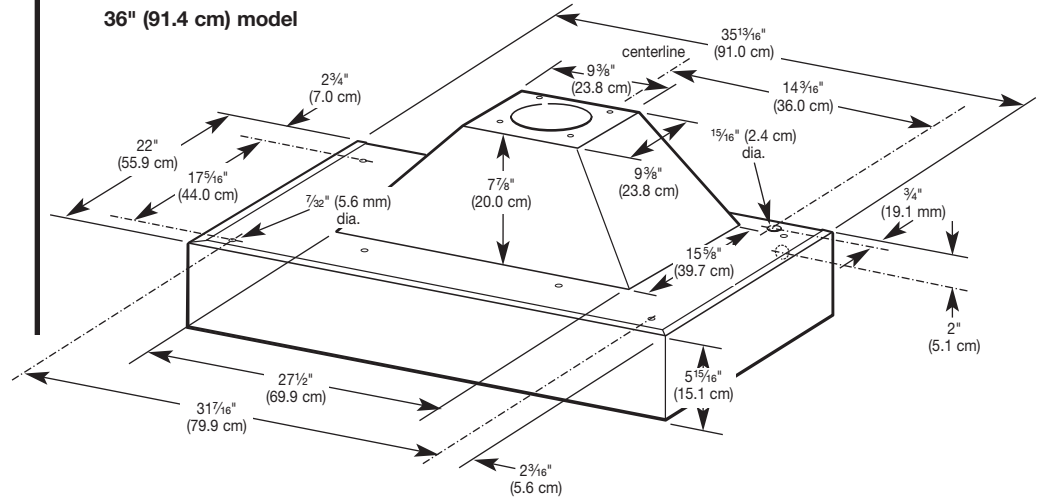
# KitchenAid® 36" and 48" Hood Liner with internal Blower

## PRODUCT MODEL NUMBERS

KHVU761R  
KHVU781R

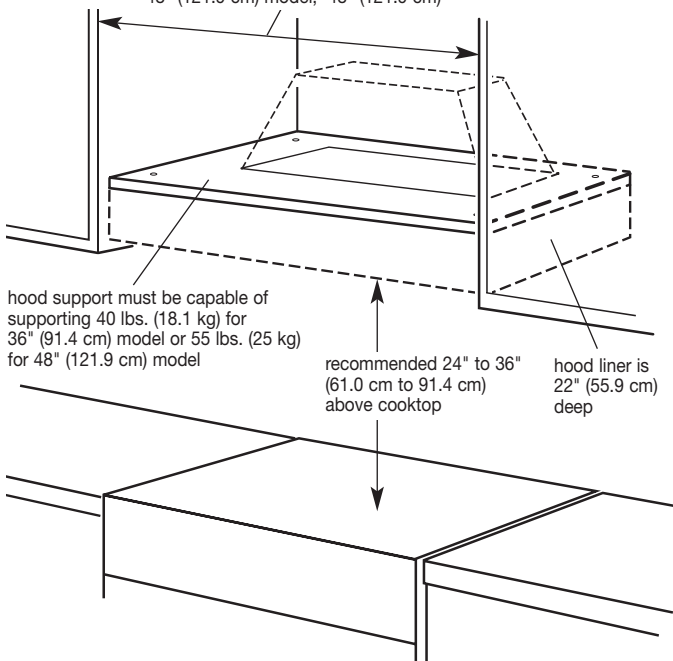
**Electrical:** A 120-volt, 60-Hz, AC-only, 15-amp, fused electrical circuit is required. A time-delay fuse or circuit breaker is also recommended. It is recommended that a separate circuit serving only this hood be provided.

## OVERALL DIMENSIONS



## CABINET DIMENSIONS

min. cabinet opening widths:  
36" (91.4 cm) model, 36" (91.4 cm)  
48" (121.9 cm) model, 48" (121.9 cm)




## VENTING REQUIREMENTS

The 36" (91.4 cm) model requires a 6" (15.2 cm) round vent system for installation (not included). The 48" (121.9 cm) model requires two 6" (15.2 cm) round vent systems or a 10" (25.4 cm) round vent system for installation. The hood exhaust opening is 6" (15.2 cm) round.

To calculate the length of the system you need, add the equivalent feet (meters) for each vent piece used in the system.

Maximum equivalent vent length is 35 feet (10.7 meters) for 6" (15.2 cm) vent, 60 feet (18.3 m) for 10" (25.4 cm) vent.

Vent piece	6" (15.2 cm) round or 10" (25.4 cm) round
45° elbow	2.5 feet (0.8 m) 
90° elbow	5.0 feet (1.5 m) 