

# KitchenAid® 30" (76.2 cm), 36" (91.4 cm) and 48" (121.9 cm) Commercial Style Wall-Mount Canopy Range Hood

## PRODUCT MODEL NUMBERS

KICU420W                      KICU460W                      KICU480W

## ELECTRICAL REQUIREMENTS

A 120 Volt, 60 Hz., AC only, 15-amp, fused electrical circuit is required.

## LOCATION REQUIREMENTS

**IMPORTANT:** Observe all governing codes and ordinances. Have a qualified technician install the range hood. It is the installer's responsibility to comply with installation clearances specified on the model/serial rating plate. The model/serial rating plate is located inside the range hood on the rear wall of the range hood.

Island hood location should be away from strong draft areas, such as windows, doors and strong heating vents.

Cabinet opening dimensions that are shown must be used. Given dimensions provide minimum clearance.

It is recommended that the hood be fastened into solid wood.

The island hood is factory set for venting through the roof or through the wall.

All openings in ceiling and where island hood will be installed must be sealed.

### For Mobile Home Installations

The installation of this range hood must conform to the Manufactured Home Construction Safety Standards, Title 24 CFR, Part 328 (formerly the Federal Standard for Mobile Home Construction and Safety, Title 24, HUD, Part 280) or when such standard is not applicable, the standard for Manufactured Home Installation 1982 (Manufactured Home Sites, Communities and Setups) ANSI A225.1/NFPA 501A\*, or latest edition, or with local codes.

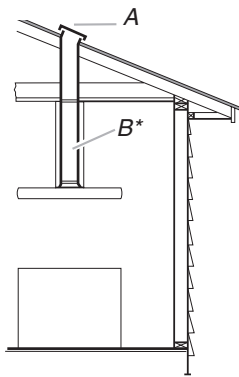
## VENTING METHODS

A 6" (15.2 cm) round vent system is needed for installation (not included). A dual 6" (15.2 cm) round vent system is needed for the 48" (121.9 cm) range hood. The hood exhaust opening is 6" (15.2 cm) round.

**NOTE:** Flexible vent is not recommended. Flexible vent creates back pressure and air turbulence that greatly reduce performance.

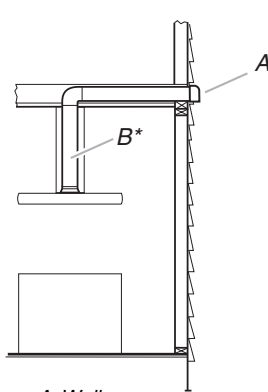
Vent system can terminate either through the roof or wall. To vent through a wall, a 90° elbow is needed.

### Roof Venting



A. Roof cap  
B. 6" (15.2 cm) round vent

### Wall Venting



A. Wall cap  
B. 6" (15.2 cm) round vent

\*The 48" (121.9 cm) hood uses two 6" (15.2 cm) round vents or transitions to 10" (25.4 cm) round vent using Part Number 4396915.

## Calculating Vent System Length

To calculate the length of the system you need, add the equivalent feet (meters) for each vent piece used in the system.

Vent Piece	Equivalent Length	Diagram
45° elbow	2.5 ft (0.8 m)	
90° elbow	5.0 ft (1.5 m)	

The maximum equivalent vent lengths are:

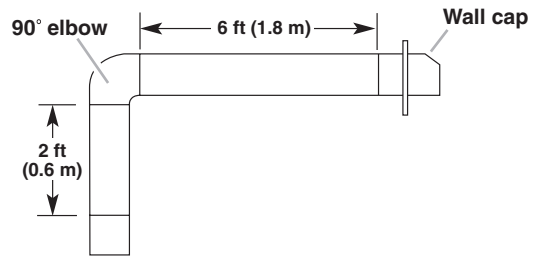
6" (15.2 cm) round vent - 35 ft (10.7 m)

7" (17.8 cm) round vent - 40 ft (12.2 m)

8" (20.3 cm) round vent - 50 ft (15.2 m)

9" (22.9 cm) and 10" (25.4 cm) round vents - 60 ft (18.3 m)

## Example vent system

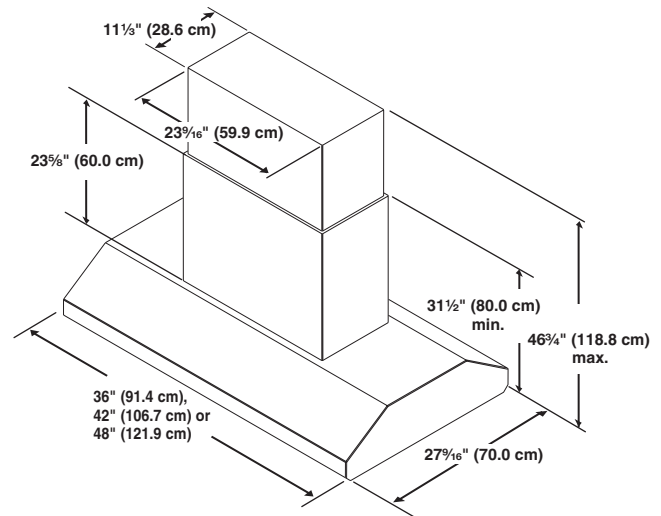


The following example falls within the maximum vent length of 35 ft (10.7 m).

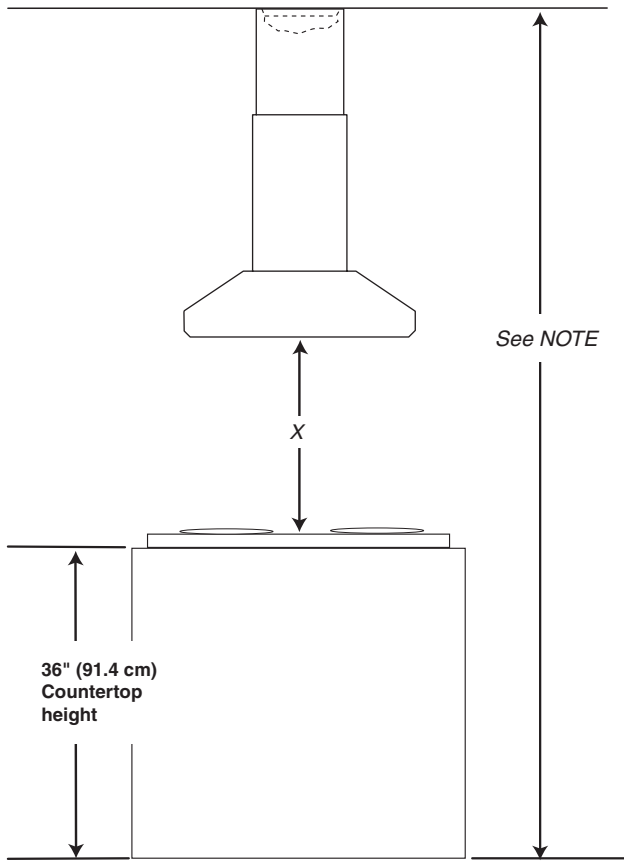
1 - 90° elbow	= 5.0 ft (1.5 m)
1 - wall cap	= 0.0 ft (0.0 m)
8 ft (2.4 m) straight	= 8.0 ft (2.4 m)
<b>Length of system</b>	<b>= 13.0 ft (3.9 m)</b>

## PRODUCT DIMENSIONS

### Vented Installations



## Installation Clearances



**NOTE:** The hood chimneys are adjustable and designed to meet varying ceiling or soffit heights depending on the distance “X” between the bottom of the hood and the cooking surface. For higher ceilings an extension kit (Part Number W10197713) is available, see your dealer. The chimney extension replaces the upper chimney shipped with the hood.

**IMPORTANT:**

Minimum distance “X”: 30" (76.2 cm)  
Suggested maximum distance “X”: 36" (91.4 cm)

For vented installations, the chimneys can be adjusted for ceilings between 8' 4¼" (2.55 m) and 9' 4¾" (2.86 m).