

INSTRUCTION SHEET

for Ice Maker Trim Kit – Full Door Models Only

NOTE: Customer must supply #6 flat head wood screws to mount wood panel of customers choice.

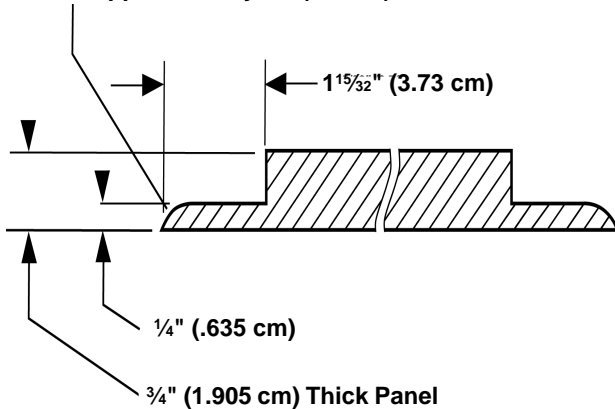
Follow the steps below:

1. Remove old door handle.
2. Remove nameplate. Nameplate is held in place with adhesive tape.
3. Install trim to wood panel of customers choice. See illustration. Recommend using eight (8) #6 flat head wood screws approximately $\frac{1}{2}$ " in length. Screws supplied by customer. Please check length before installation.
4. Lay customer panel and trim on door and mark the holes using the trim as your template.
5. Using an $\frac{1}{8}$ " drill bit, drill eight (8) holes on the side of door as shown. See illustration.
6. Install panel and trim with eight (8) screws supplied in the kit.
7. Install new door handle supplied using the old mounting screws.

Custom Panel Dimensions:

NOTE: Customer Panel shown must be $\frac{3}{4}$ " (1.9 cm) thick and requires the following changes for clearance. These changes must be made on both sides of the panel as shown.

Route Approximately $\frac{3}{8}$ " (1.0 cm)



Cutting Notes:

1. Match woodgrain direction with that of adjacent cabinets.
2. Cut panel to dimensions as shown in illustration.
3. Sand panel edges to provide smooth finish.
4. Important: Use moisture resistant sealer on both sides and all edges of panel for moisture protection.

