

MICROWAVE OVEN BUILT-IN TRIM KIT INSTALLATION INSTRUCTIONS

Built-In Trim Kit Models MKC2157, MKC2150

UL listed for use over any electric or gas built-in oven, up to 30" (76.2 cm) wide

Table of Contents

MICROWAVE OVEN SAFETY	1
INSTALLATION INSTRUCTIONS	2
Tools and Parts	2
Location Requirements	2
Required Cutout Dimensions	2
Trim Kit Frame Dimensions.....	2
Electrical Requirements.....	3
Prepare Microwave Oven	3
Prepare Cutout/Cabinet Opening.....	4
Install the Microwave Oven	5
Install Trim Kit Frame	6

MICROWAVE OVEN SAFETY

Your safety and the safety of others are very important.

We have provided many important safety messages in this manual and on your appliance. Always read and obey all safety messages.



This is the safety alert symbol.

This symbol alerts you to potential hazards that can kill or hurt you and others.

All safety messages will follow the safety alert symbol and either the word "DANGER" or "WARNING."

These words mean:

⚠ DANGER

You can be killed or seriously injured if you don't immediately follow instructions.

⚠ WARNING

You can be killed or seriously injured if you don't follow instructions.

All safety messages will tell you what the potential hazard is, tell you how to reduce the chance of injury, and tell you what can happen if the instructions are not followed.

INSTALLATION INSTRUCTIONS

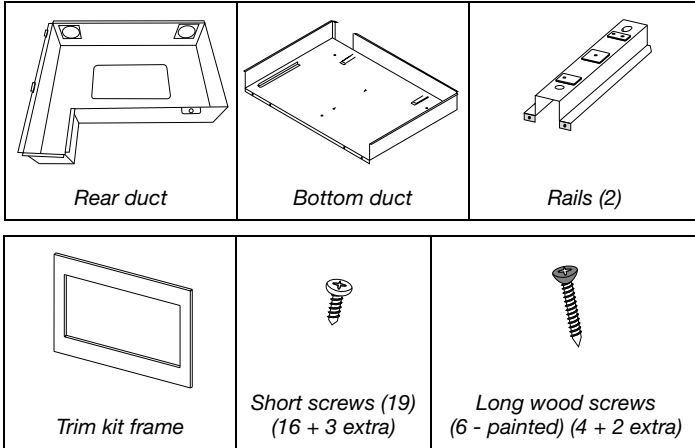
Tools and Parts

Tools Needed

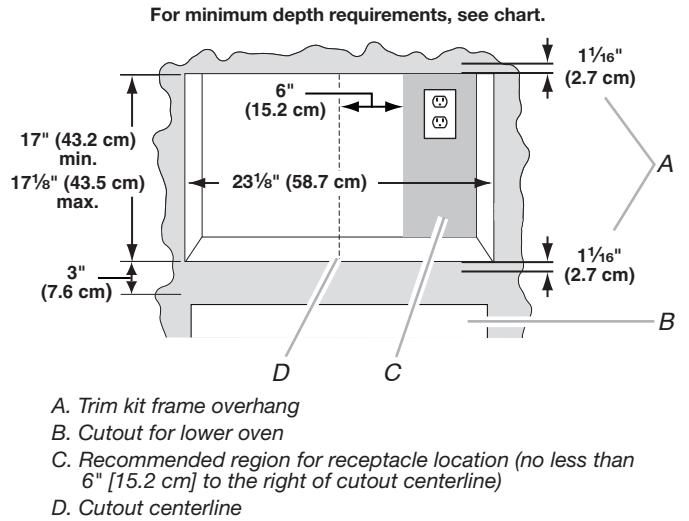
Gather the required tools and parts before starting installation. Read and follow the instructions provided with any tools listed here.

- Measuring tape
- Drill
- Pencil
- 7/64" drill bit
- Phillips screwdriver

Parts Supplied (not shown to scale)



Required Cutout Dimensions



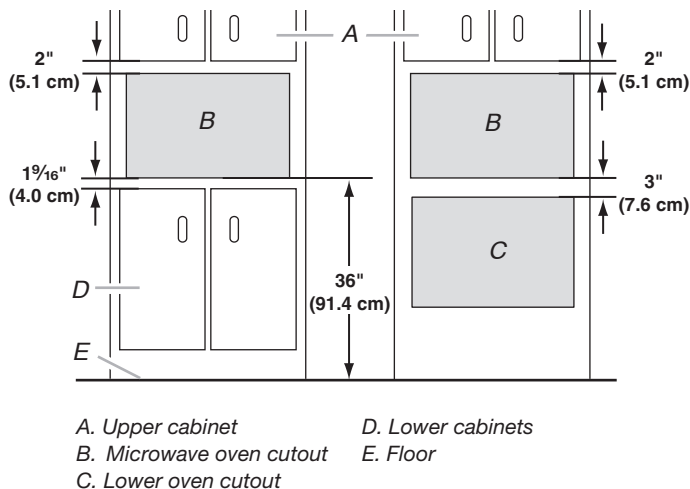
Receptacle Location	Minimum Depth
Within recommended region	18" (45.7 cm) with flush receptacle; 21" (53.2 cm) with non-flush receptacle
Outside recommended region	19 1/2" (49.5 cm) with flush receptacle; 22 1/2" (57.2 cm) with non-flush receptacle

Location Requirements

The microwave oven may be installed over a built-in oven. If installing over a built-in oven, make sure there is a minimum of 3" (7.6 cm) between the top of the lower oven cutout and the microwave oven cutout floor.

The microwave oven may also be installed in a cabinet by itself (without a built-in oven below). The minimum distance from the floor to the cutout floor is 36" (91.4 cm)

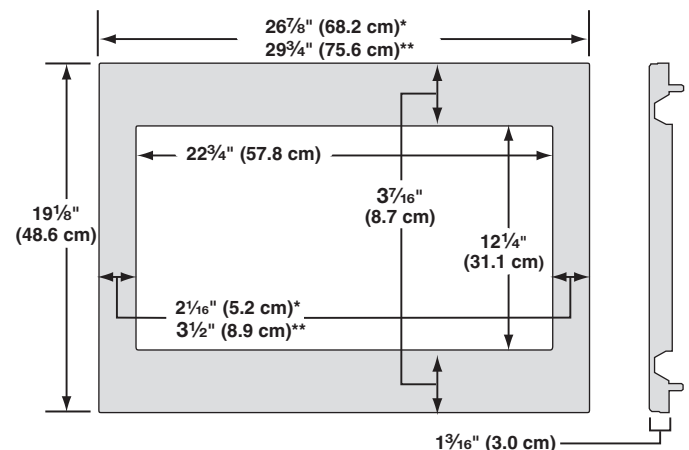
Make sure the surrounding cabinetry has clearance to open and close freely. Allow a clearance of at least 1 9/16" (4.0 cm) below the cutout floor (3" [7.6 cm] for installation above a built-in oven), and a clearance of at least 2" (5.1 cm) above the cutout opening.



NOTES:

- Depth requirements depend upon receptacle and its location within or outside of recommended region. See illustration and chart above.
- Height dimension is critical: 17" (43.2 cm) minimum, 17 1/8" (43.5 cm) maximum.
- Width measurement has ±1/16" (2 mm) tolerance.
- 3" (7.6 cm) minimum dimension is from lower oven cutout ceiling to microwave oven cutout floor.
- Trim kit frame extends 1 1/16" (2.7 cm) above and below the cutout opening.

Trim Kit Frame Dimensions



*27" (68.6 cm) trim kit

**30" (76.2 cm) trim kit

Electrical Requirements

⚠ WARNING



Electrical Shock Hazard

Plug into a grounded 3 prong outlet.

Do not remove ground prong.

Do not use an adapter.

Do not use an extension cord.

Failure to follow these instructions can result in death, fire, or electrical shock.

Observe all governing codes and ordinances.

Required:

- A 120 V, 60 Hz, AC only, 15 or 20 A electrical supply with a fuse or circuit breaker.

Recommended:

- A time-delay fuse or time-delay circuit breaker.
- A separate circuit serving only this microwave oven

GROUNDING INSTRUCTIONS

■ For all cord connected appliances:

The microwave oven must be grounded. In the event of an electrical short circuit, grounding reduces the risk of electric shock by providing an escape wire for the electric current. The microwave oven is equipped with a cord having a grounding wire with a grounding plug. The plug must be plugged into an outlet that is properly installed and grounded.

WARNING: Improper use of the grounding plug can result in a risk of electric shock. Consult a qualified electrician or serviceman if the grounding instructions are not completely understood, or if doubt exists as to whether the microwave oven is properly grounded.

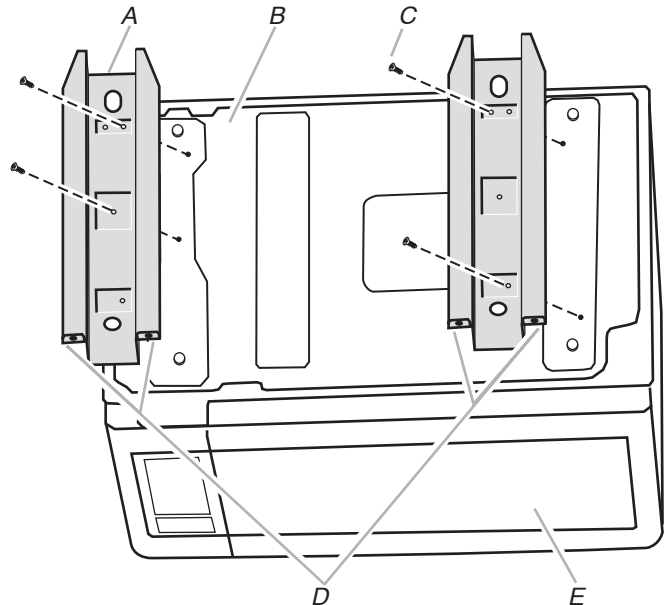
Do not use an extension cord. If the power supply cord is too short, have a qualified electrician or serviceman install an outlet near the microwave oven.

SAVE THESE INSTRUCTIONS

Prepare Microwave Oven

Attach Rails

1. Unplug microwave oven before proceeding with installation.
2. Remove any loose items inside microwave oven.
3. Gently turn microwave oven onto its top, with the door facing forward (toward installer).
4. Align the two rails on the microwave oven bottom, as shown, making sure the flanges are forward and pointing up.

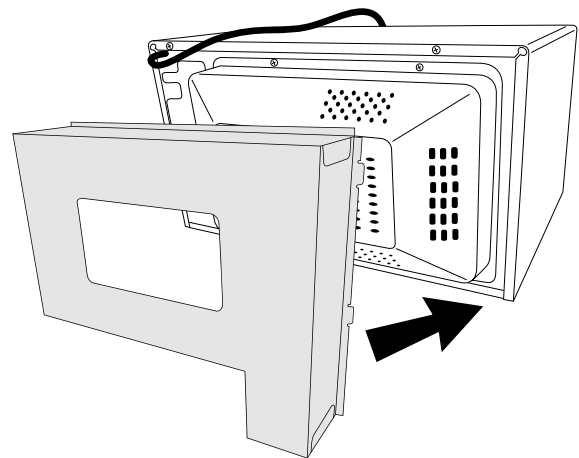


A. Rails (2) D. Flanges
B. Microwave oven bottom E. Door
C. Short screws (4)

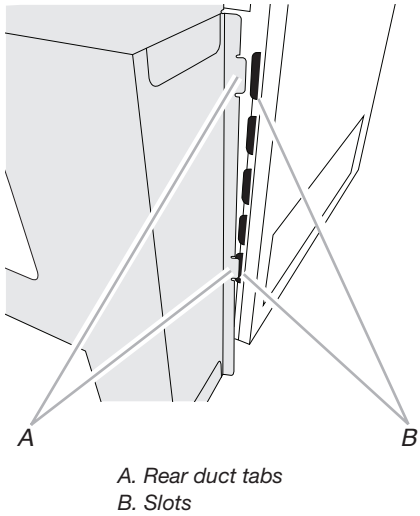
5. Secure the rails to the microwave oven bottom using four short screws.

Attach Rear Duct

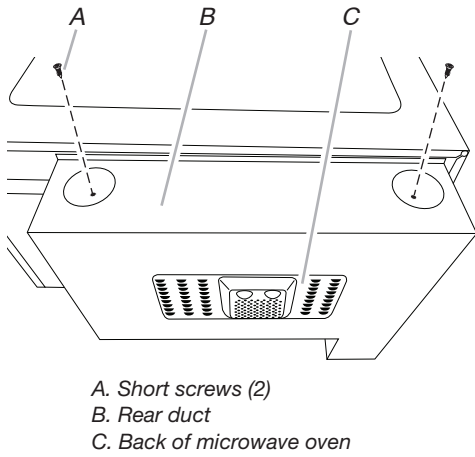
1. Gently return microwave oven to its upright position.
2. Align the rear duct with the back of microwave oven, as shown.



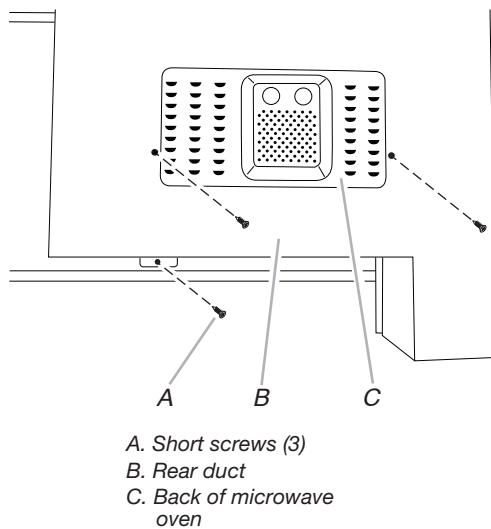
- Slide two tabs into the slots on the right side of the back of microwave oven.



- Use two short screws to secure top of rear duct to the back of microwave oven, as shown.

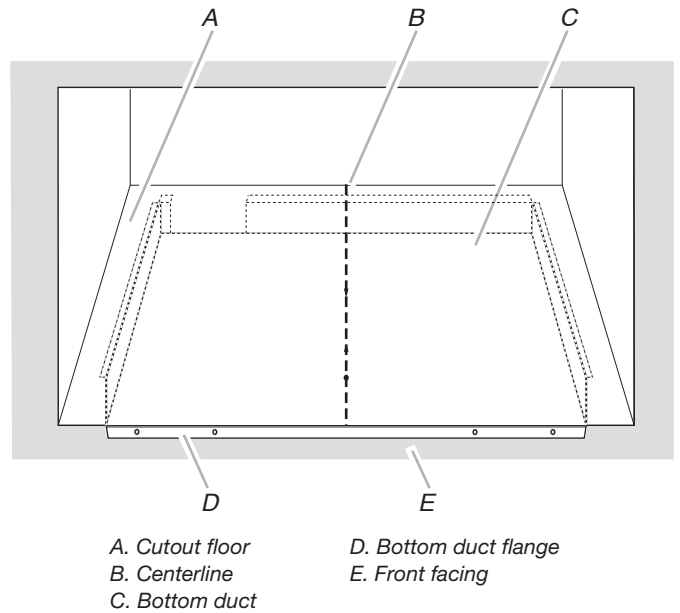


- Use three short screws to secure back of rear duct to the back of microwave oven, as shown.

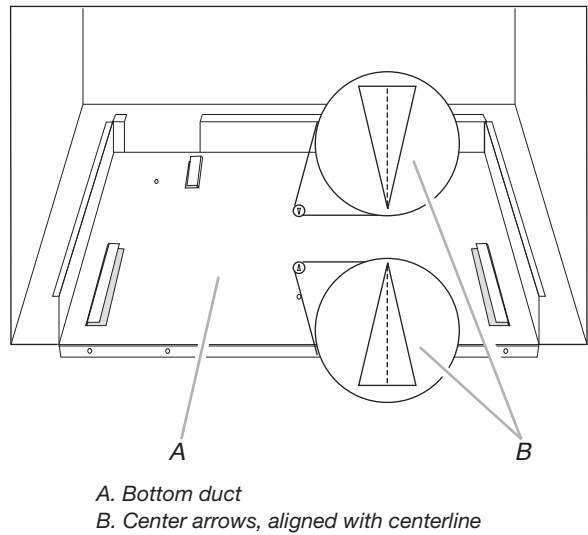


Prepare Cutout/Cabinet Opening

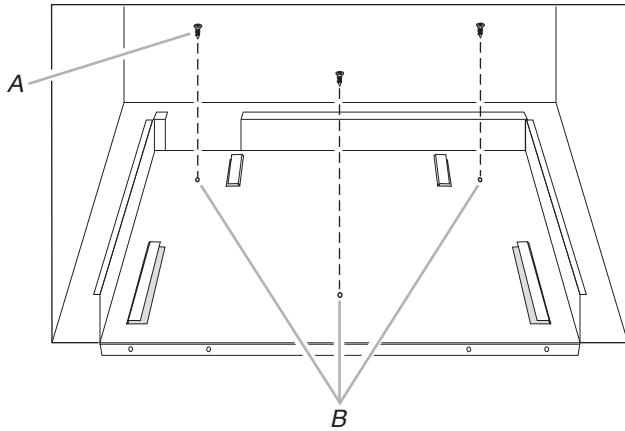
- On the cutout floor, find and mark the centerline.
- Place the bottom duct in the opening, with the flange resting against the bottom front facing of the opening.



- Align the center arrows on the bottom duct with the centerline drawn in Step 1 above.

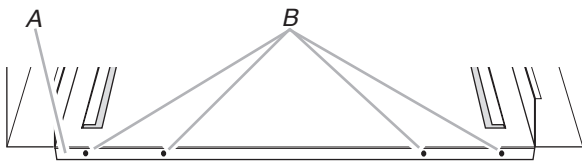


4. Mark the three mounting holes through the bottom duct onto the cutout floor.



A. Short screws (3)
B. Bottom duct mounting holes

5. Using 7/64" drill, drill pilot holes into the three holes marked in Step 4.
6. Realign and install the bottom duct with three short screws.
7. Using 7/64" drill, drill pilot holes through the four mounting holes of the bottom duct flange into the bottom front facing of the cutout/cabinet opening.



A. Bottom duct flange
B. Mounting holes

Install the Microwave Oven

1. Position microwave oven near cutout opening.

⚠ WARNING



Electrical Shock Hazard

Plug into a grounded 3 prong outlet.

Do not remove ground prong.

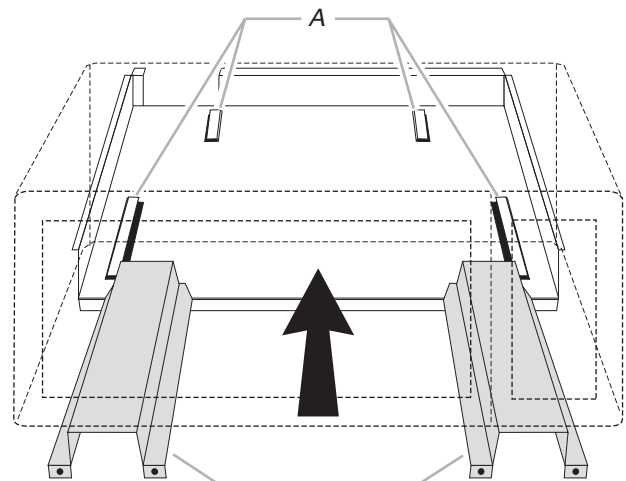
Do not use an adapter.

Do not use an extension cord.

Failure to follow these instructions can result in death, fire, or electrical shock.

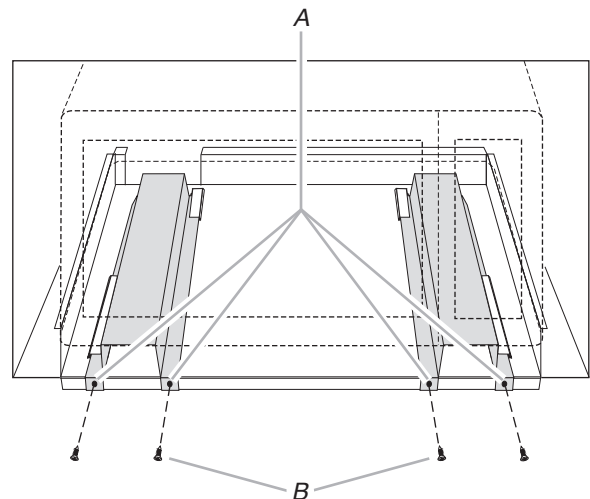
2. Plug in microwave oven.

3. Align the rails with the rail guides on the bottom duct.



A. Rail guides
B. Rails

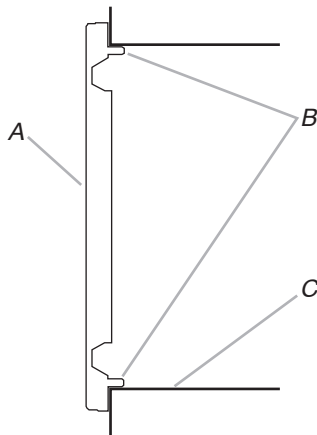
4. Slide the microwave oven back and into place. The mounting holes of the rail flanges and bottom duct flange will align against the bottom front facing of the cutout/cabinet opening.
5. Secure the microwave oven to the cutout/cabinet by installing four short screws into the mounting holes.



A. Mounting holes
B. Short screws (4)

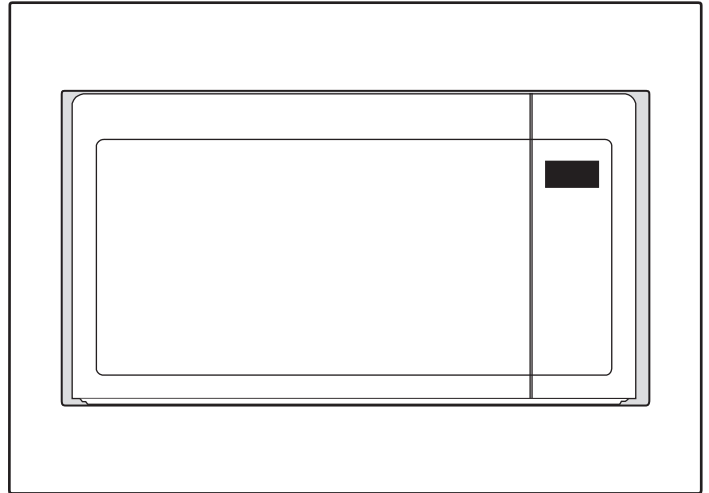
Install Trim Kit Frame

1. Position trim kit frame over the opening so that the lower tabs rest on the cutout floor, as shown.



A. Front of trim kit frame
B. Tabs (upper and lower)
C. Cutout/cabinet floor

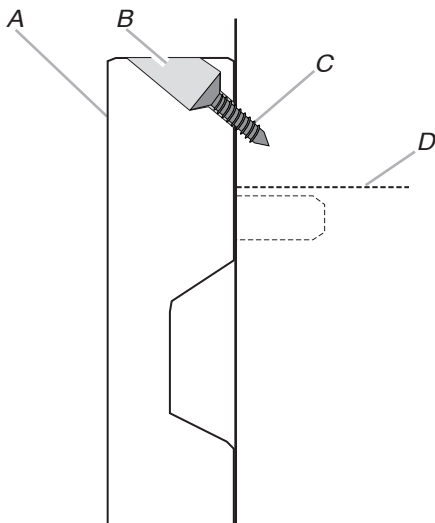
3. Secure trim kit frame to cutout/cabinet by installing four long wood screws (painted) into the pilot holes drilled in Step 2 above.



2. Holding the trim kit frame in place, use 7/64" drill to drill four pilot holes into the front facing of the cutout/cabinet through the mounting hole guides in the upper and lower corners of the trim kit frame.

NOTES:

- The holes will be drilled downward from the top, and upward from the bottom at an angle of about 45°.
- To avoid damage to the trim kit frame, do not overtighten screws.



A. Trim kit frame
B. Mounting hole guide
C. Long wood screw (4 - painted)
D. Cutout ceiling

NOTES

