

# **KitchenAid®**

---

## **FREESTANDING AND BUILT-IN OUTDOOR REFRESHMENT CENTER**

### **Installation Instructions and Use & Care Guide**

For questions about features, operation/performance, parts, accessories or service, call: **1-800-422-1230**  
or visit our website at **www.kitchenaid.com**

In Canada, for assistance, installation and service, call: **1-800-807-6777**  
or visit our website at **www.KitchenAid.ca**

---

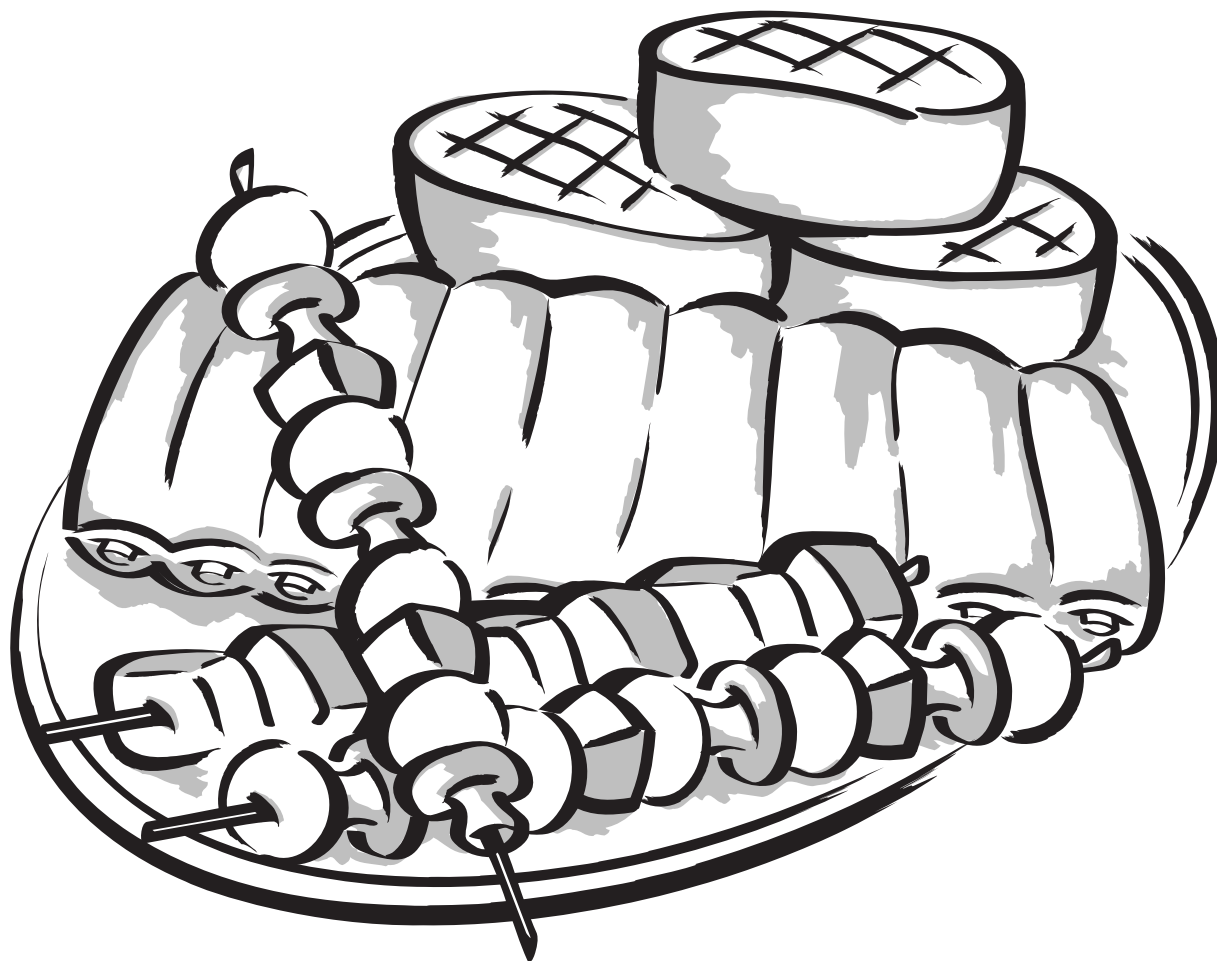
## **COMPTOIR POUR RAFRAÎCHISSEMENTS D'EXTÉRIEUR - AUTOPORTANT ET ENCASTRÉ**

### **Instructions d'installation et Guide d'utilisation et d'entretien**

Au Canada, pour assistance, installation ou service composez le **1-800-807-6777** ou visitez notre site web  
**www.KitchenAid.ca**

---

Table of Contents/Table des matières..... 2



**Models/Modèles KFFU271 KBFU271  
W10110733B**

# TABLE OF CONTENTS

<b>OUTDOOR REFRESHMENT CENTER SAFETY</b> .....	<b>2</b>
<b>INSTALLATION REQUIREMENTS</b> .....	<b>3</b>
Tools and Parts .....	3
Location Requirements .....	3
Cabinet Cutout Dimensions.....	4
<b>INSTALLATION INSTRUCTIONS</b> .....	<b>6</b>
Built-In Refreshment Center .....	6
Freestanding Refreshment Center.....	7
<b>REFRESHMENT CENTER CARE</b> .....	<b>8</b>
General Cleaning.....	8
Cabinet Door Alignment.....	9
Cabinet Door Removal.....	9
Attach Condiment Shelf.....	10
<b>ASSISTANCE OR SERVICE</b> .....	<b>11</b>
In the U.S.A. ....	11
Accessories .....	11
In Canada .....	11
<b>WARRANTY</b> .....	<b>11</b>

# TABLE DES MATIÈRES

<b>SÉCURITÉ DU COMPTOIR POUR RAFFRAÎCHISSEMENTS D'EXTÉRIEUR</b> .....	<b>13</b>
<b>EXIGENCES D'INSTALLATION</b> .....	<b>14</b>
Outillage et pièces.....	14
Exigences d'emplacement.....	14
Dimensions de l'ouverture à découper dans le placard.....	15
<b>INSTRUCTIONS D'INSTALLATION</b> .....	<b>17</b>
Comptoir pour rafraîchissements encastré .....	17
Comptoir pour rafraîchissements autoportant .....	18
<b>ENTRETIEN DU COMPTOIR POUR RAFFRAÎCHISSEMENTS</b> .....	<b>20</b>
Nettoyage général .....	20
Alignement de la porte du placard.....	21
Dépose de la porte du placard .....	21
Fixation de l'étagère à condiments.....	22
<b>ASSISTANCE OU SERVICE</b> .....	<b>23</b>
Accessoires .....	23
Au Canada.....	23
<b>GARANTIE</b> .....	<b>23</b>

## OUTDOOR REFRESHMENT CENTER SAFETY

### Your safety and the safety of others are very important.

We have provided many important safety messages in this manual and on your appliance. Always read and obey all safety messages.



This is the safety alert symbol.

This symbol alerts you to potential hazards that can kill or hurt you and others.

All safety messages will follow the safety alert symbol and either the word "DANGER" or "WARNING."

These words mean:

**⚠ DANGER**

You can be killed or seriously injured if you don't immediately follow instructions.

**⚠ WARNING**

You can be killed or seriously injured if you don't follow instructions.

All safety messages will tell you what the potential hazard is, tell you how to reduce the chance of injury, and tell you what can happen if the instructions are not followed.

# INSTALLATION REQUIREMENTS

## Tools and Parts

Gather the required tools and parts before starting installation. Read and follow the instructions provided with any tools listed here.

### Tools needed

- Level
- Phillips screwdriver
- Short Phillips screwdriver or a 90° screwdriver with a Phillips screw bit
- Tape measure
- Slip-joint pliers
- Pipe wrench
- Adjustable wrench

### Parts supplied

- Faucet
- Cutting board
- Ice bin covers
- 4 - Condiment bins with lids
- Bottle cap container
- Bottle container
- Rear mounting flange and mounting screws (on built-in model only)

### Parts needed

- NSF or UPC listed water connection lines or hose
- All weather clear silicone

## Location Requirements

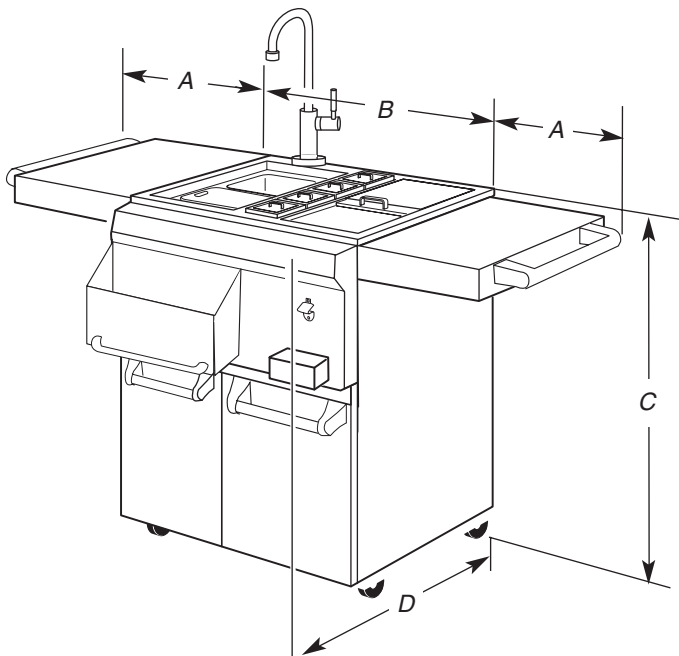
**IMPORTANT:** Observe all governing codes and ordinances.

### Built-In Models

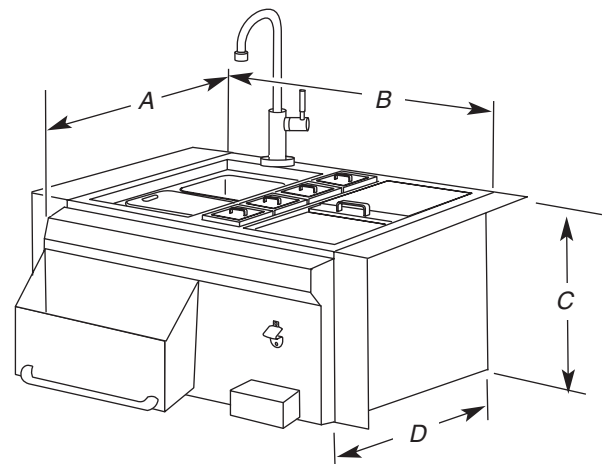
### Product Dimensions

#### Freestanding Models

The freestanding model must have suitable drain systems in accordance with local codes for the ice bin and sink drains.



- A. 17 $\frac{1}{4}$ " (43.8 cm)
- B. 30" (76.2 cm)
- C. 36 $\frac{7}{8}$ " (93.7 cm)
- D. 26 $\frac{3}{8}$ " (67.0 cm)



- A. 26 $\frac{3}{8}$ " (67.0 cm)
- B. 30" (76.2 cm)
- C. 10" (25.4 cm)
- D. 22 $\frac{3}{4}$ " (57.8 cm)

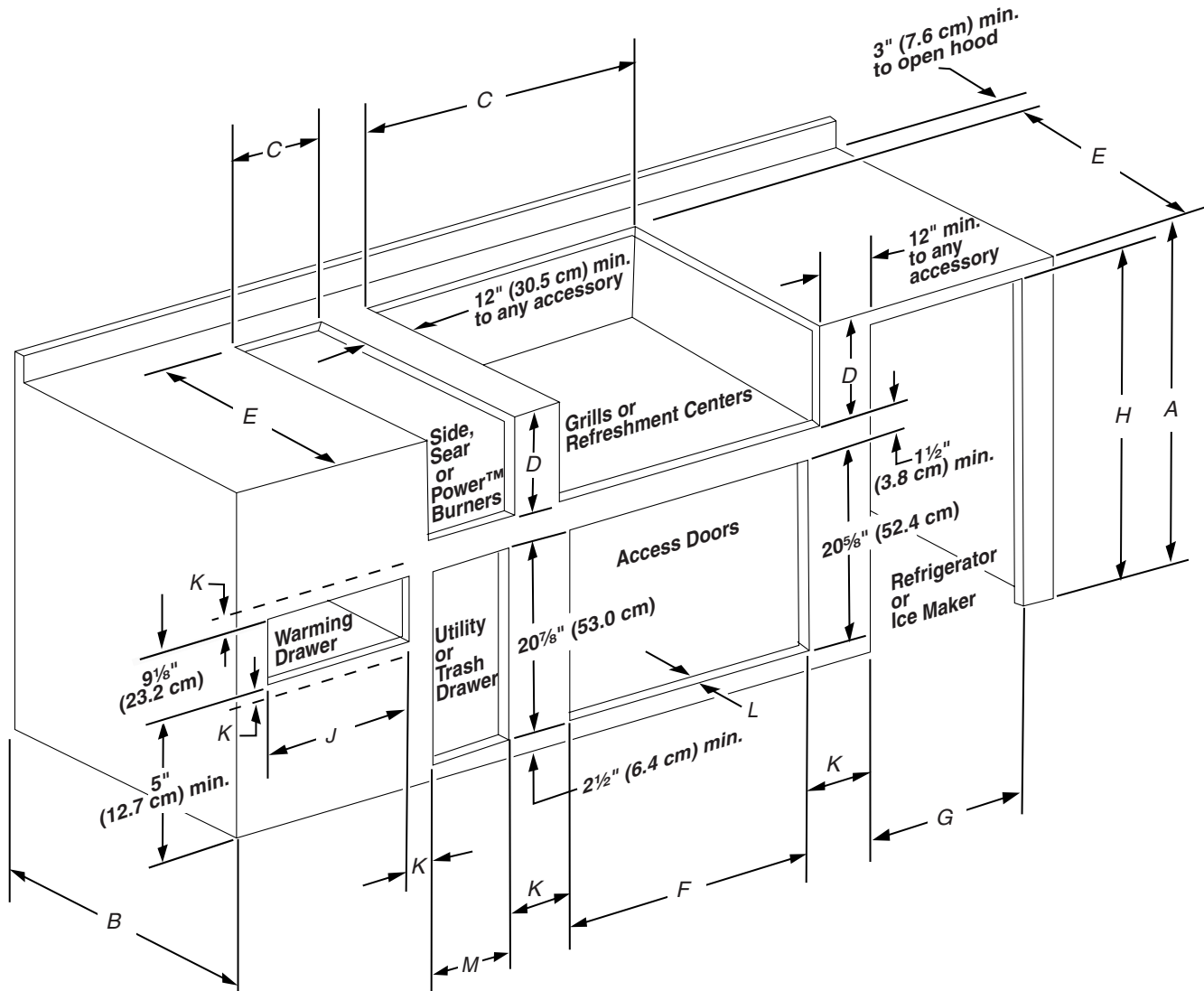
### Cabinet Dimensions (for built-in model)

Provide suitable drain systems in accordance with local codes for ice bin and sink drains. The drains and filter must be accessible.

## Cabinet Cutout Dimensions

The dimension chart and illustration below include cutout dimensions and minimum spacing requirements for all built-in outdoor products. The illustration is for reference. The design of your cabinet layout can be personalized, but the dimensions for the cutouts and minimum spacing must be followed.

Installation must conform to local codes.



### Minimum Spacing Requirement Between Cutouts - Dimension K

**Between 2 or more sets of Access Doors adjacent to each other:**

K = 14" (35.6 cm) when 2 adjacent doors are opened to 90 degrees

K = 8" (20.3 cm) when 1 of the adjacent doors is opened to 90 degrees

**Between a set of Access Doors and a Trash Drawer, Utility Drawer, Warming Drawer, Refrigerator, or Ice Maker:**

K = 8" (20.3 cm) when 1 of the adjacent doors is opened to 90 degrees

**Between a Trash Drawer, Utility Drawer, or Warming Drawer:**

K = 3" (7.6 cm)

### Cabinet Height and Depth Dimensions

	Dimension A Minimum	Dimension B Minimum
With outdoor refrigerator	37" (94.0 cm)	26" (66.0 cm)
Grill with insulated jacket	36½" (92.7 cm)	27" (68.6 cm)
Grill without insulated jacket	35½" (90.2 cm)	26" (66.0 cm)

**Cutout Dimensions - Built-in Grill**

Grill Size	Dimension C	Dimension D	Dimension E
27" (68.6 cm)	29 <sup>5</sup> / <sub>8</sub> " (75.2 cm)	10 <sup>3</sup> / <sub>4</sub> " (27.3 cm)	22 <sup>7</sup> / <sub>8</sub> " (58.1 cm)
36" (91.4 cm)	38 <sup>5</sup> / <sub>8</sub> " (98.1 cm)	10 <sup>3</sup> / <sub>4</sub> " (27.3 cm)	22 <sup>7</sup> / <sub>8</sub> " (58.1 cm)
48" (121.9 cm)	50 <sup>5</sup> / <sub>8</sub> " (128.6 cm)	10 <sup>3</sup> / <sub>4</sub> " (27.3 cm)	22 <sup>7</sup> / <sub>8</sub> " (58.1 cm)

**Cutout Dimensions - Built-in Grill with Insulated Jacket**

Grill Size	Dimension C	Dimension D	Dimension E
27" (68.6 cm)	33" (83.8 cm)	11 <sup>3</sup> / <sub>4</sub> " (29.8 cm)	24" (61.0 cm)
36" (91.4 cm)	42" (106.7 cm)	11 <sup>3</sup> / <sub>4</sub> " (29.8 cm)	24" (61.0 cm)
48" (121.9 cm)	54" (137.2 cm)	11 <sup>3</sup> / <sub>4</sub> " (29.8 cm)	24" (61.0 cm)

**Cutout Dimensions - Built-in Power Burner**

	Dimension C	Dimension D	Dimension E
	19 <sup>3</sup> / <sub>8</sub> " (49.2 cm)	10 <sup>3</sup> / <sub>4</sub> " (27.3 cm)	19 <sup>3</sup> / <sub>4</sub> " (50.2 cm)

**Cutout Dimensions - Built-in Side Burner**

Burner Position	Dimension C	Dimension D	Dimension E
Front to Back	13 <sup>1</sup> / <sub>2</sub> " (34.3 cm)	10 <sup>3</sup> / <sub>4</sub> " (27.3 cm)	22 <sup>5</sup> / <sub>8</sub> " (57.5 cm)
Side by Side	24 <sup>1</sup> / <sub>2</sub> " (62.2 cm)	10 <sup>3</sup> / <sub>4</sub> " (27.3 cm)	16 <sup>7</sup> / <sub>8</sub> " (42.9 cm)

**Cutout Dimensions - Built-in Sear Burner**

	Dimension C	Dimension D	Dimension E
	13 <sup>1</sup> / <sub>2</sub> " (34.3 cm)	10 <sup>5</sup> / <sub>8</sub> " (27.0 cm)	22 <sup>11</sup> / <sub>16</sub> " (57.6 cm)

**Cutout Dimensions - Built-in Refreshment Center**

	Dimension C	Dimension D	Dimension E
	30 <sup>1</sup> / <sub>2</sub> " (77.5 cm)	10 <sup>3</sup> / <sub>4</sub> " (27.3 cm)	23" (58.4 cm)

**Cutout Dimensions - Built-in Access Doors**

Door Size	Dimension F	Dimension L*
18" (45.7 cm)	16 <sup>3</sup> / <sub>16</sub> " (41.1 cm)	1 <sup>1</sup> / <sub>2</sub> " (3.8 cm)
27" (68.6 cm)	25 <sup>1</sup> / <sub>8</sub> " (63.8 cm)	1 <sup>1</sup> / <sub>2</sub> " (3.8 cm)
30" (76.2 cm)	28 <sup>1</sup> / <sub>8</sub> " (71.4 cm)	1 <sup>1</sup> / <sub>2</sub> " (3.8 cm)
36" (91.4 cm)	34 <sup>1</sup> / <sub>8</sub> " (86.7 cm)	1 <sup>1</sup> / <sub>2</sub> " (3.8 cm)
48" (121.9 cm)	46 <sup>1</sup> / <sub>8</sub> " (117.2 cm)	1 <sup>1</sup> / <sub>2</sub> " (3.8 cm)

\*Dimension L is the minimum mounting surface area around the opening for mounting the optional door or drawers.

**Cutout Dimensions - Outdoor Refrigerator**

	Dimension G	Dimension H
	24" (61.0 cm)	35 <sup>1</sup> / <sub>4</sub> " (89.5 cm)

**Cutout Dimensions - Outdoor Ice Maker**

	Dimension G	Dimension H
	18" (45.7 cm)	34" (86.4 cm) min. to 34 <sup>1</sup> / <sub>2</sub> " (87.6 cm) max.

**Cutout Dimensions - Built-in Warming Drawer**

Warming Drawer Size	Dimension J
24" (61.0 cm)	22½" (57.2 cm)

**Cutout Dimensions - Built-in Utility Drawer and Built-in Trash Drawer**

Dimension M	Dimension L*
12¼" (31.1 cm)	1½" (3.8 cm)

\*Dimension L is the minimum mounting surface area around the opening for mounting the optional door or drawers.

# INSTALLATION INSTRUCTIONS

## Built-In Refreshment Center

### ⚠ WARNING

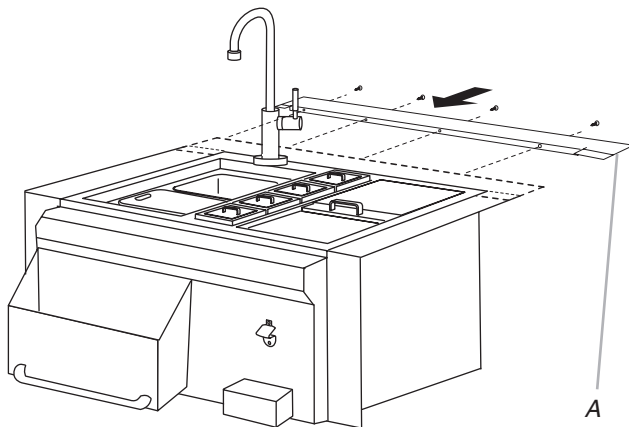
#### Excessive Weight Hazard

**Use two or more people to move and install refreshment center.**

**Failure to do so can result in back or other injury.**

Use a certified plumber to connect and install potable water supply and drain system to outdoor refreshment center according to local code requirements.

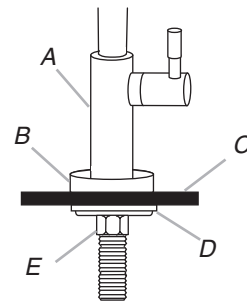
- Using two or more people, set the refreshment center on a covered surface.
- Install rear flange to back of built-in refreshment center using 4 mounting screws provided.



A. Rear flange

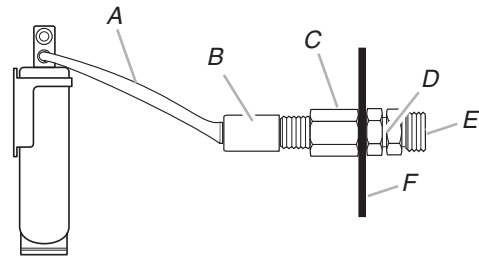
- Check that you have the drain connections, in accordance with local codes, under the refreshment center.
- Remove the faucet from the ice bin.

- Install the faucet and fasten securely.



- A. Faucet
- B. Brass escutcheon with "O" ring
- C. Sink
- D. Plastic washer
- E. Locking nut

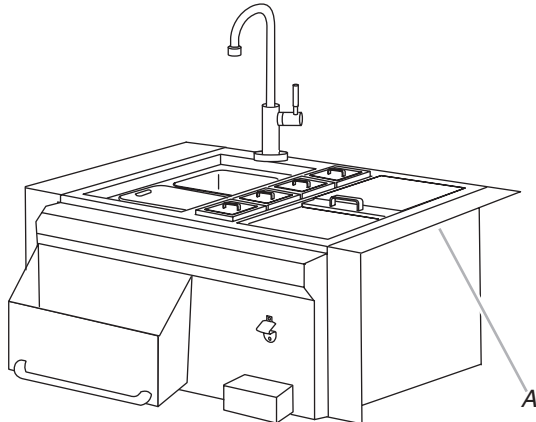
- Install water inlet connector in a convenient location under the cutout. Position the water inlet connector so that the plastic tubing easily reaches the filter inlet connection.



- A. Plastic tubing from water filter (inlet)
- B. Hose connector
- C. Hose connector nut
- D. Brass locking nut
- E. Inlet connector (¾" MHT x ½" MIP hose adapter)
- F. Exterior side of mounting panel

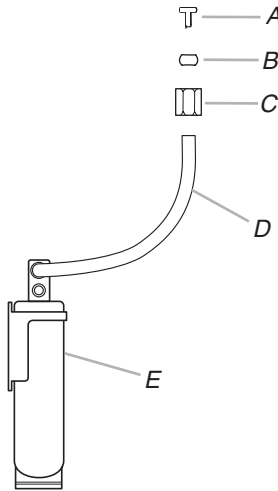
- Connect ice bin drain and sink drain fittings to drain system in accordance with local code requirements.

- Apply a bead of all weather clear silicone on the underside of the two sides of mounting trim.



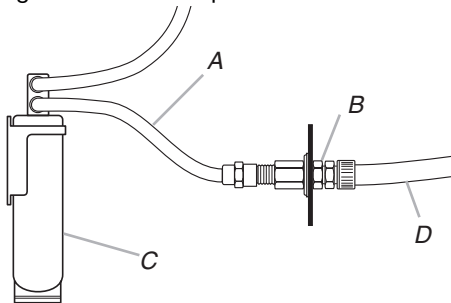
A. Underside of mounting trim

- Using two or more people, place the refreshment center into the cutout. Immediately remove any excess silicone.
- Connect the plastic tubing from the water filter to the faucet connection and securely tighten.



A. Plastic tube insert  
 B. Plastic ferrule  
 C. Compression nut  
 D. Plastic tubing from water filter (outlet)  
 E. Filter

- Attach the plastic tubing from the water inlet connection to the inlet side of the filter. Use NSF or UPC listed water connection line for water supply to inlet connector. Potable water supply system must be connected to inlet connector according to local code requirements.



A. Plastic tubing  
 B. Inlet connector  
 C. Filter  
 D. NSF or UPC listed water supply line or hose

- Unwrap the sliding cover and place into frame on top of the ice bin.

## Freestanding Refreshment Center

### ⚠️ WARNING

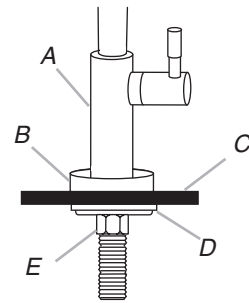
#### Excessive Weight Hazard

Use two or more people to move and install refreshment center.

Failure to do so can result in back or other injury.

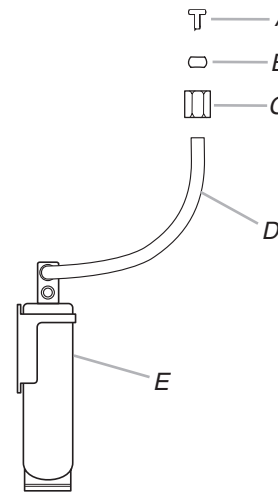
Use a certified plumber to connect and install potable water supply and drain system to outdoor refreshment center according to local code requirements.

- Check that you have adequate drain connections for the refreshment center.
- Remove the faucet from the ice bin.
- Install the faucet and securely fasten.



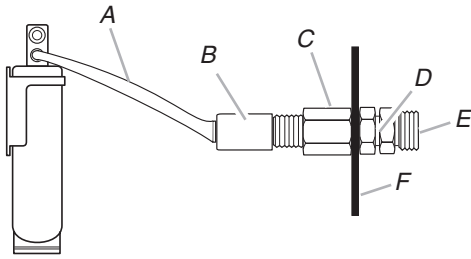
A. Faucet  
 B. Brass escutcheon with "O" ring  
 C. Sink  
 D. Plastic washer  
 E. Locking nut

- Connect the plastic tubing from the water filter to the faucet connection and securely tighten.



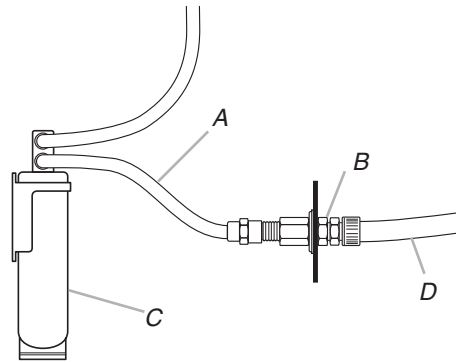
A. Plastic tube insert  
 B. Plastic ferrule  
 C. Compression nut  
 D. Plastic tubing from water filter (outlet)  
 E. Filter

- Install water inlet connector through hole provided in cabinet rear panel.



- A. Plastic tubing from water filter (inlet)  
 B. Hose connector  
 C. Hose connector nut  
 D. Brass locking nut  
 E. Inlet connector (3/4" MHT x 1/2" MIP hose adapter)  
 F. Exterior side of mounting panel

- Attach the plastic tubing from the water inlet connection to the inlet side of the filter. Use NSF or UPC listed water connection line for water supply to inlet connector. Potable water supply system must be connected to inlet connector according to local code requirements.



- A. Plastic tubing  
 B. Inlet connector  
 C. Filter  
 D. NSF or UPC listed water supply line or hose

- Unwrap the sliding cover and place into frame on top of the ice bin.
- Rotate the side shelves up into their locked position or leave down as needed.
- Lock the front locking caster wheels to keep refreshment center from moving.

## REFRESHMENT CENTER CARE

### General Cleaning

**IMPORTANT:** Always follow label instructions on cleaning products.

Soap, water and a soft cloth or sponge are suggested first unless otherwise noted.

To avoid weather damage use the accessory cover designed for the Outdoor Refreshment Center.

#### STAINLESS STEEL

##### Cleaning Method:

Rub in direction of grain to avoid damaging stainless steel surface.

- Food spills should be cleaned as soon as possible. Spills may cause permanent discoloration. Use stainless steel cleaner and polish to clean spills.

KitchenAid® Stainless Steel Cleaner and Polish Part Number 4396920 (not included) or KitchenAid® Stainless Steel Wipes Part Number 8212510 (not included):

See "Assistance or Service" section to order.

- Liquid detergent or all-purpose cleaner:  
Rinse with clean water and dry with soft, lint-free cloth.
- Vinegar for hard water spots
- Use a glass cleaner to remove fingerprints.

To avoid damage to stainless steel surfaces, do not use soap-filled scouring pads, abrasive cleaners, cleaners containing chlorine, Cooktop Polishing Creme, steel-wool pads, gritty washcloths or some paper towels.

#### REFRESHMENT CENTER WATER FILTER

- Filter should be replaced every 6 to 12 months.

To remove filter, turn filter counterclockwise 1/4 turn and remove.

To install filter, push in new cartridge and turn clockwise.

#### REFRESHMENT CENTER EXTERIOR

The quality of this material resists most stains and pitting, providing that the surface is kept clean and covered.

##### Cleaning Method:

- Apply stainless steel polish to all areas before first use. Apply after each cleaning to avoid damage refreshment center exterior surface.
- Cleaning should always be followed by rinsing with clean, warm water.
- Use a metal polish or stainless steel brightener to remove fingerprints, water spots, oxidation, and food stains. Always follow the manufacturer's directions.
- Wipe the surface completely dry with a soft cloth.

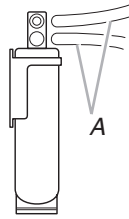
##### Winterization of faucet and drain system

When temperatures are below 35°F (1.7°C) for an extended period of time:

- Turn off water source to sink.
- Remove potable water supply system from inlet connection and store it appropriately.



- Remove filter from its connection and discard. (Follow the instructions provided with your refreshment center water filter to replace. See "Assistance or Service" section to order.)
- Disconnect ice bin and sink drain and plastic tubing from the filter connector and allow to drain.



A. Plastic tubing

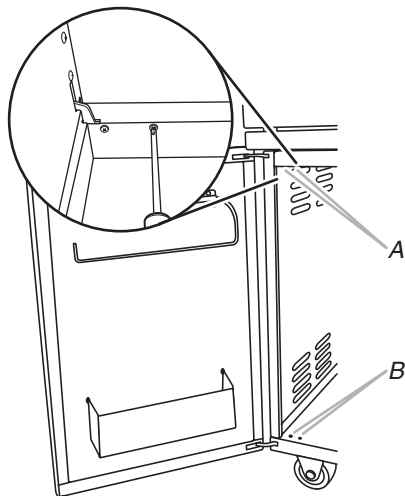
- Cover refreshment center with accessory cover or tarpaulin.

## Cabinet Door Alignment

### Style 2 Only

Your cabinet door(s) can be realigned if necessary.

- Check door to determine alignment requirements.
- Open the cabinet door.
- Locate and loosen the 4 door hinge mounting screws ½ turn.



A. Top screws (2 - underside of frame)  
B. Bottom screws (2)

- Adjust the top or bottom of the door in the direction necessary to align the door.
- Tighten the 4 door hinge mounting screws.
- Close the door and check alignment.
- Readjust the door using steps 2 through 6 if necessary.
- Repeat steps 1 through 7 on the other door if necessary.

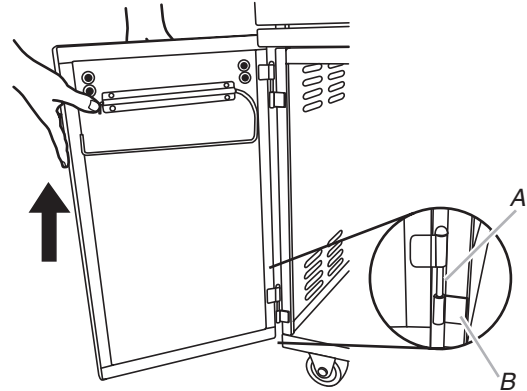
## Cabinet Door Removal

The door(s) can be removed if necessary to gain access to the inside of the cabinet area.

### Style 1

#### To Remove the Door:

- Open cabinet door.
- Lift door to slide door hinge pins from hinge brackets on cabinet.

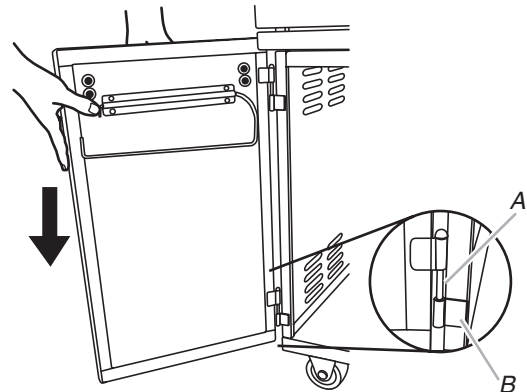


A. Door hinge pin  
B. Hinge bracket

- Repeat steps 1 and 2 for the other door if necessary.

#### To Replace the Door:

- Position hinge pins on the door with the hinge brackets on the cabinet. Gently push down to slide the pins into place.



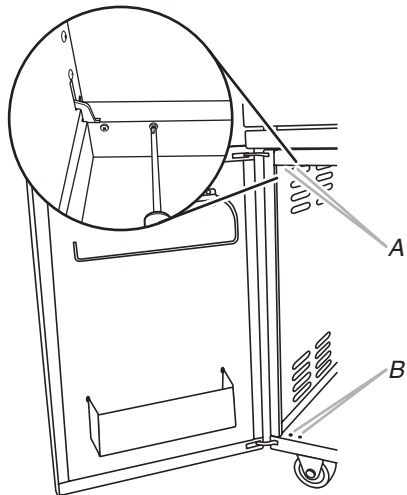
A. Door hinge pin  
B. Hinge bracket

- Repeat Step 1 for the other door if necessary.

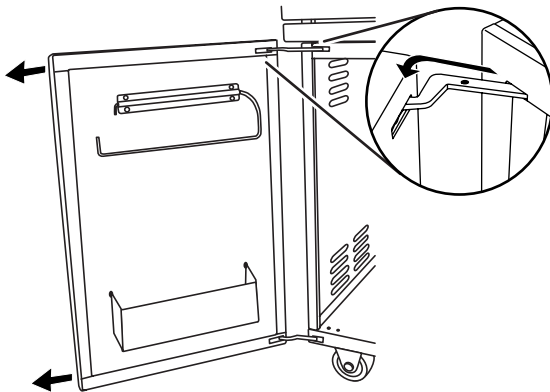
## Style 2

### To Remove the Door:

1. Open the door to the fully open position.
2. Locate and remove the 4 door hinge mounting screws.



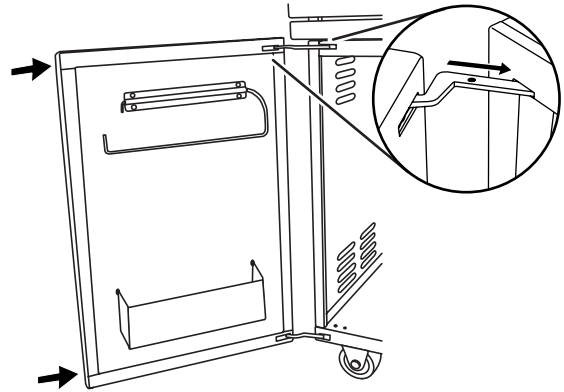
3. Pull the door away from the center to slide the door hinges out of the slots in the frame.



4. Repeat steps 1 through 3 for the other door if necessary.

### To Replace the Door:

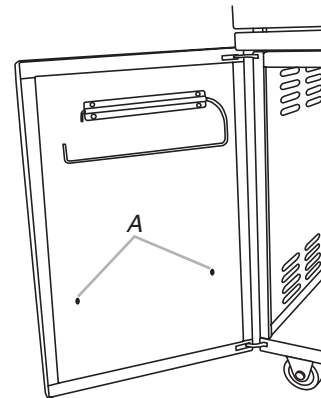
1. Slide the door hinges into the slots in the frame and push in to seat hinges.



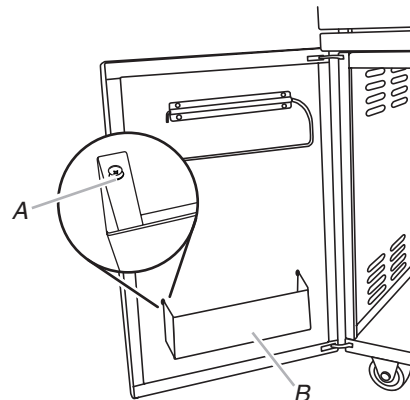
2. Locate the 4 hinge screw mounting holes through the top and bottom of the frame and replace the 4 screws. Do not tighten.
3. Check and adjust door then tighten the screws. See "Cabinet Door Alignment."
4. Repeat steps 1 through 3 for the other door if necessary.

### Attach Condiment Shelf

1. Open cabinet door.
2. Use a short Phillips screwdriver or a 90° screwdriver with a Phillips screw bit to loosen the 2 mounting screws on the inner door panel.



3. Position the condiment shelf so that the large ends of the keyhole slots are over the 2 mounting screws.



4. Lower the condiment shelf until the 2 mounting screws are in the narrow ends of the keyhole slots.
5. Tighten the screws.

---

# ASSISTANCE OR SERVICE

---

Before calling for assistance or service, please check “Troubleshooting.” It may save you the cost of a service call. If you still need help, follow the instructions below.

When calling, please know the purchase date and the complete model and serial number of your appliance. This information will help us to better respond to your request.

## If you need replacement parts

If you need to order replacement parts, we recommend that you use only factory specified parts. These factory specified parts will fit right and work right because they are made with the same precision used to build every new KITCHENAID® appliance.

To locate factory specified parts in your area, call us or your nearest KitchenAid designated service center.

---

## In the U.S.A.

Call the KitchenAid Customer eXperience Center toll free: **1-800-422-1230**.

### Our consultants provide assistance with:

- Features and specifications on our full line of appliances.
- Installation information.
- Use and maintenance procedures.
- Accessory and repair parts sales.
- Specialized customer assistance (Spanish speaking, hearing impaired, limited vision, etc.).
- Referrals to local dealers, repair parts distributors and service companies. KitchenAid designated service technicians are trained to fulfill the product warranty and provide after-warranty service, anywhere in the United States.

To locate the KitchenAid designated service company in your area, you can also look in your telephone directory Yellow Pages.

### For further assistance

If you need further assistance, you can write to KitchenAid with any questions or concerns at:

KitchenAid Brand Home Appliances  
Customer eXperience Center  
553 Benson Road  
Benton Harbor, MI 49022-2692

Please include a daytime phone number in your correspondence.

---

## Accessories

### KitchenAid® Stainless Steel Cleaner and Polish

Order Part Number 4396920

### Vinyl Cover for Outdoor Freestanding Refreshment Center

Order Part Number 8212707

### Vinyl Cover for Outdoor Built-In Refreshment Center

Order Part Number 8212708

### Water Filter

Order Part Number 4396508

---

## In Canada

Call the KitchenAid Canada Customer eXperience Centre toll free: **1-800-807-6777**.

### Our consultants provide assistance with:

- Features and specifications on our full line of appliances.
- Use and maintenance procedures.
- Accessory and repair parts sales.
- Referrals to local dealers, repair parts distributors and service companies. KitchenAid Canada designated service technicians are trained to fulfill the product warranty and provide after-warranty service, anywhere in Canada.

### For further assistance

If you need further assistance, you can write to KitchenAid Canada with any questions or concerns at:

Customer eXperience Centre  
KitchenAid Canada  
1901 Minnesota Court  
Mississauga, Ontario L5N 3A7

Please include a daytime phone number in your correspondence.

---

# KITCHENAID® OUTDOOR PRODUCT WARRANTY

---

## LIMITED WARRANTY

For one year from the date of purchase, when this outdoor product is operated and maintained according to instructions attached to or furnished with the product, KitchenAid brand of Whirlpool Corporation or Whirlpool Canada LP (hereafter “KitchenAid”) will pay for Factory Specified Parts and repair labor to correct defects in materials or workmanship. Service must be provided by a KitchenAid designated service company. This limited warranty is valid only in the United States or Canada and applies only when the outdoor product is used in the country in which it was purchased. Outside the 50 United States and Canada, this limited warranty does not apply. Proof of original purchase date is required to obtain service under this limited warranty.

---

## SECOND THROUGH FIFTH YEAR LIMITED WARRANTY ON PARTS ON GRILLS ONLY

In the second through fifth years from the date of purchase when this grill is operated and maintained according to instructions attached to or furnished with the product, KitchenAid will pay for Factory Specified Parts to correct defects in materials or workmanship.

---

## LIFETIME LIMITED WARRANTY ON STAINLESS STEEL COMPONENTS ON GRILLS ONLY

For the life of the product, when this grill is operated and maintained according to instructions attached to or furnished with the product, KitchenAid will pay for replacement of the stainless steel body housing due to defective materials or workmanship. For the life of the product, when this grill is operated and maintained according to instructions attached to or furnished with the product, KitchenAid will pay for replacement parts for the stainless steel grill burners.

---

### ITEMS EXCLUDED FROM WARRANTY

**This limited warranty does not cover:**

1. Service calls to correct the installation of your outdoor product, to instruct you on how to use your outdoor product, to replace or repair house fuses, or to correct house wiring or plumbing.
2. Cosmetic damage, including scratches, dents, chips or other damage to the finish of your outdoor product, unless such damage results from defects in materials or workmanship and is reported to KitchenAid within 30 days from the date of purchase.
3. Repairs when your outdoor product is used for other than normal, single-family household use or when it is used in a manner that is contrary to published user or operator instructions and/or installation instructions.
4. Damage resulting from accident, alteration, misuse, abuse, fire, flood, acts of God, improper installation, installation not in accordance with electrical or plumbing codes, or use of consumables or cleaning products not approved by KitchenAid.
5. Conversion kit or service call for the conversion of your outdoor product from natural gas to L.P./propane or from L.P./propane to natural gas.
6. Costs associated with the removal from your home of your outdoor product for repairs. This outdoor product is designed to be repaired in the home and only in-home service is covered by this warranty.
7. Repairs to parts or systems resulting from unauthorized modifications made to the outdoor product.
8. Expenses for travel and transportation for product service if your outdoor product is located in a remote area where service by an authorized KitchenAid servicer is not available.
9. The removal and reinstallation of your outdoor product if it is installed in an inaccessible location or is not installed in accordance with published installation instructions.
10. Damage resulting from normal wear and tear of your outdoor product.
11. Outdoor products with original model/serial numbers that have been removed, altered or cannot be easily determined. This warranty is void if the factory applied serial number has been altered or removed from your outdoor product.

The cost of repair or replacement under these excluded circumstances shall be borne by the customer.

---

### DISCLAIMER OF IMPLIED WARRANTIES; LIMITATION OF REMEDIES

CUSTOMER'S SOLE AND EXCLUSIVE REMEDY UNDER THIS LIMITED WARRANTY SHALL BE PRODUCT REPAIR AS PROVIDED HEREIN. IMPLIED WARRANTIES, INCLUDING WARRANTIES OF MERCHANTABILITY OR FITNESS FOR A PARTICULAR PURPOSE, ARE LIMITED TO ONE YEAR OR THE SHORTEST PERIOD ALLOWED BY LAW. KITCHENAID SHALL NOT BE LIABLE FOR INCIDENTAL OR CONSEQUENTIAL DAMAGES. SOME STATES AND PROVINCES DO NOT ALLOW THE EXCLUSION OR LIMITATION OF INCIDENTAL OR CONSEQUENTIAL DAMAGES, OR LIMITATIONS ON THE DURATION OF IMPLIED WARRANTIES OF MERCHANTABILITY OR FITNESS, SO THESE EXCLUSIONS OR LIMITATIONS MAY NOT APPLY TO YOU. THIS WARRANTY GIVES YOU SPECIFIC LEGAL RIGHTS, AND YOU MAY ALSO HAVE OTHER RIGHTS WHICH VARY FROM STATE TO STATE OR PROVINCE TO PROVINCE.

---

If outside the 50 United States and Canada, contact your authorized KitchenAid dealer to determine if another warranty applies.

If you need service, first see the "Troubleshooting" section of the Use & Care Guide. After checking "Troubleshooting," you may find additional help by checking the "Assistance or Service" section or by calling KitchenAid. In the U.S.A., call **1-800-422-1230**. In Canada, call **1-800-807-6777**.

9/07

**Keep this book and your sales slip together for future reference. You must provide proof of purchase or installation date for in-warranty service.**

Write down the following information about your major appliance to better help you obtain assistance or service if you ever need it. You will need to know your complete model number and serial number. You can find this information on the model and serial number label located on the product.

Dealer name \_\_\_\_\_  
Address \_\_\_\_\_  
Phone number \_\_\_\_\_  
Model number \_\_\_\_\_  
Serial number \_\_\_\_\_  
Purchase date \_\_\_\_\_

# SÉCURITÉ DU COMPTOIR POUR RAFRAÎCHISSEMENTS D'EXTÉRIEUR

## **Votre sécurité et celle des autres est très importante.**

Nous donnons de nombreux messages de sécurité importants dans ce manuel et sur votre appareil ménager. Assurez-vous de toujours lire tous les messages de sécurité et de vous y conformer.



Voici le symbole d'alerte de sécurité.

Ce symbole d'alerte de sécurité vous signale les dangers potentiels de décès et de blessures graves à vous et à d'autres.

Tous les messages de sécurité suivront le symbole d'alerte de sécurité et le mot "DANGER" ou "AVERTISSEMENT". Ces mots signifient :

**⚠ DANGER**

**Risque possible de décès ou de blessure grave si vous ne suivez pas immédiatement les instructions.**

**⚠ AVERTISSEMENT**

**Risque possible de décès ou de blessure grave si vous ne suivez pas les instructions.**

Tous les messages de sécurité vous diront quel est le danger potentiel et vous disent comment réduire le risque de blessure et ce qui peut se produire en cas de non-respect des instructions.

# EXIGENCES D'INSTALLATION

## Outillage et pièces

Rassembler les outils et pièces nécessaires avant de commencer l'installation. Lire et suivre les instructions fournies avec les outils indiqués ici.

### Outils nécessaires

- Niveau
- Tournevis Phillips
- Tournevis Philips court ou tournevis à 90° avec embout à vis Philips
- Mètre ruban
- Pince multiprise
- Clé à tuyauterie
- Clé à molette

### Pièces fournies

- Robinet
- Planche à découper
- Couverts de bac à glaçons
- 4 récipients à condiments avec couvercles
- Récipient pour bouchon de bouteille
- Bouteille vide
- Rive de montage et vis de montage arrière (sur modèles encastrés uniquement)

### Pièces nécessaires

- Conduits de raccordement ou tuyau homologués (NSF ou UPC)
- Silicone transparente (résistant aux intempéries)

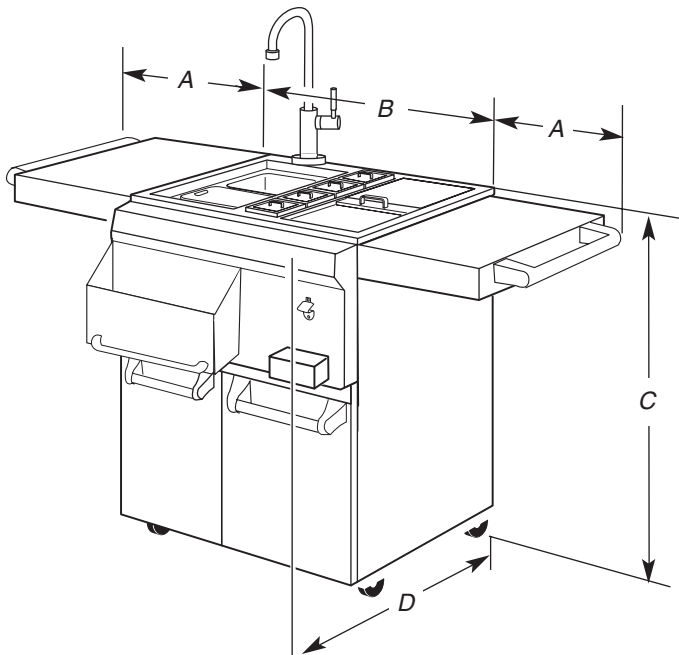
## Exigences d'emplacement

**IMPORTANT :** Observer les dispositions de tous les codes et règlements en vigueur.

### Dimensions du produit

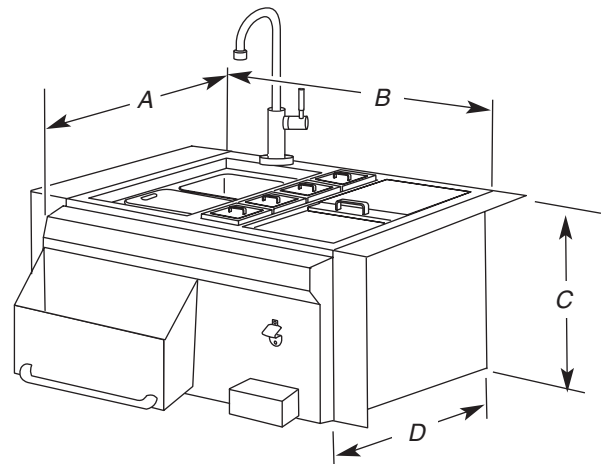
#### Modèles autoportants

Pour l'installation du modèle autoportant, on doit disposer d'un circuit de liaison à l'égout adéquat installé conformément aux prescriptions des codes locaux, pour le bac à glaçons et l'évier.



- A. 17¼" (43,8 cm)
- B. 30" (76,2 cm)
- C. 36⅞" (93,7 cm)
- D. 26⅞" (67,0 cm)

#### Modèles encastrés



- A. 26⅞" (67,0 cm)
- B. 30" (76,2 cm)
- C. 10" (25,4 cm)
- D. 22¾" (57,8 cm)

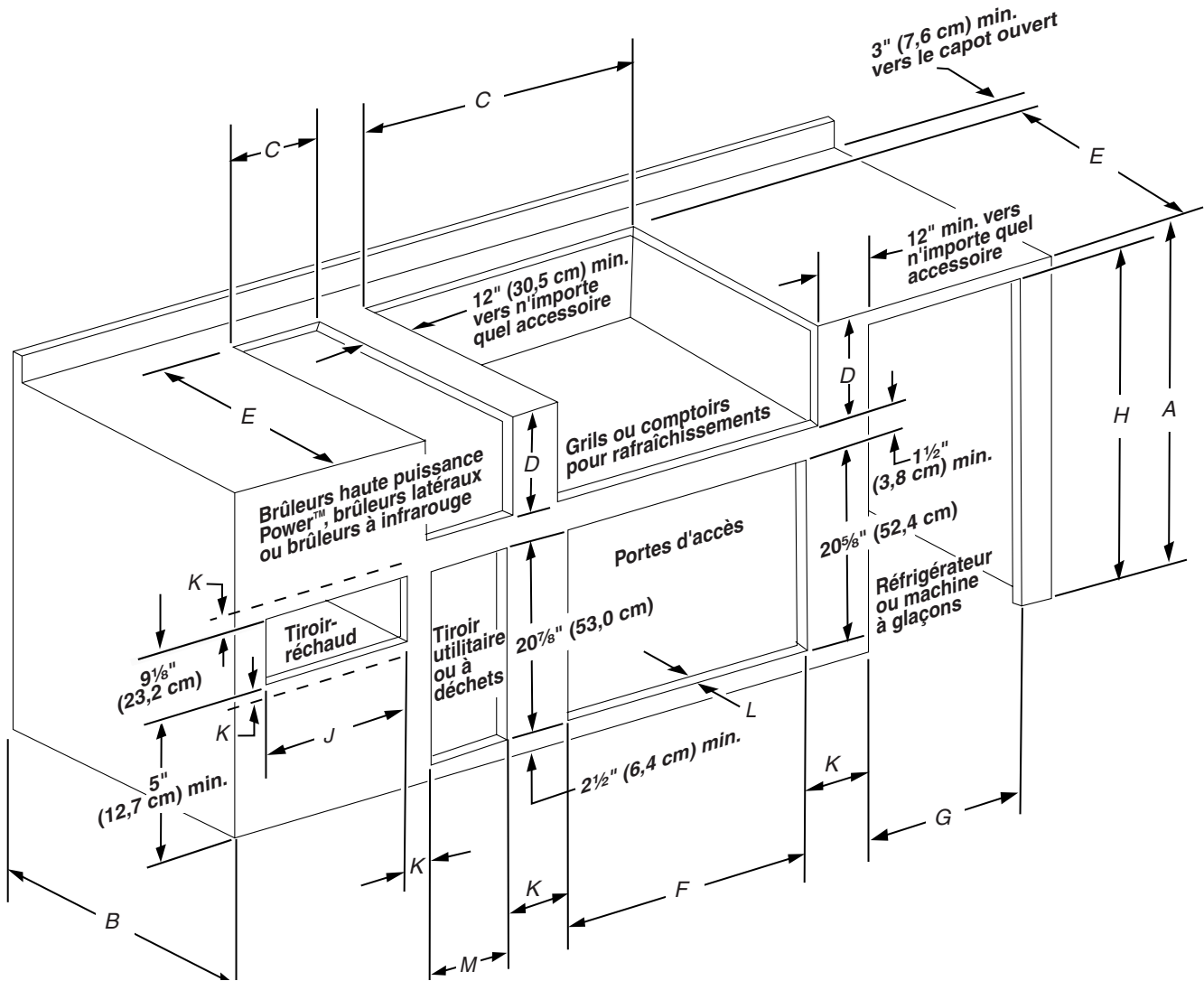
### Dimensions du placard (pour modèle encastré)

Fournir un circuit de liaison à l'égout adéquat installé conformément aux prescriptions des codes locaux, pour le bac à glaçons et l'évier. Les canalisations d'évacuation et le filtre doivent être accessibles.

## Dimensions de l'ouverture à découper dans le placard

Le tableau de dimensions et l'illustration ci-dessous comprennent les dimensions de l'ouverture à découper et les valeurs minimales de dégagements de séparation pour tous les produits d'extérieur encastrés. L'illustration est à titre de référence. La conception de la disposition de votre placard peut être personnalisée, mais les dimensions pour les ouvertures à découper et les dégagements de séparation minimaux doivent être respectés.

L'installation doit être conforme aux codes locaux.



**Valeur de dégagement de séparation minimale entre les ouvertures à découper - Dimension K**

**Entre au moins 2 portes d'accès adjacentes :**

- K = 14" (35,6 cm) lorsque 2 portes adjacentes sont ouvertes à 90 degrés
- K = 8" (20,3 cm) lorsque l'une des portes adjacentes est ouverte à 90 degrés

**Entre un ensemble de portes d'accès et un tiroir à déchets, un tiroir utilitaire, un tiroir-réchaud, un réfrigérateur ou une machine à glaçons :**

- K = 8" (20,3 cm) lorsque l'une des portes adjacentes est ouverte à 90 degrés

**Entre un tiroir à déchets, un tiroir utilitaire ou un tiroir-réchaud :**

- K = 3" (7,6 cm)

**Dimensions de hauteur et profondeur pour le placard**

	Dimension A Minimum	Dimension B Minimum
Avec réfrigérateur d'extérieur	37" (94,0 cm)	26" (66 cm)
Gril avec housse d'isolation	36½" (92,7 cm)	27" (68,6 cm)
Gril sans housse d'isolation	35½" (90,2 cm)	26" (66 cm)

**Dimensions de l'ouverture à découper - Gril encastré**

Taille du gril	Dimension C	Dimension D	Dimension E
27" (68,6 cm)	29 <sup>5</sup> / <sub>8</sub> " (75,2 cm)	10 <sup>3</sup> / <sub>4</sub> " (27,3 cm)	22 <sup>7</sup> / <sub>8</sub> " (58,1 cm)
36" (91,4 cm)	38 <sup>5</sup> / <sub>8</sub> " (98,1 cm)	10 <sup>3</sup> / <sub>4</sub> " (27,3 cm)	22 <sup>7</sup> / <sub>8</sub> " (58,1 cm)
48" (121,9 cm)	50 <sup>5</sup> / <sub>8</sub> " (128,6 cm)	10 <sup>3</sup> / <sub>4</sub> " (27,3 cm)	22 <sup>7</sup> / <sub>8</sub> " (58,1 cm)

**Dimensions de l'ouverture à découper - Gril encastré avec housse d'isolation**

Taille du gril	Dimension C	Dimension D	Dimension E
27" (68,6 cm)	33" (83,8 cm)	11 <sup>3</sup> / <sub>4</sub> " (29,8 cm)	24" (61 cm)
36" (91,4 cm)	42" (106,7 cm)	11 <sup>3</sup> / <sub>4</sub> " (29,8 cm)	24" (61 cm)
48" (121,9 cm)	54" (137,2 cm)	11 <sup>3</sup> / <sub>4</sub> " (29,8 cm)	24" (61 cm)

**Dimensions de l'ouverture à découper - Brûleur haute puissance encastré**

	Dimension C	Dimension D	Dimension E
	19 <sup>3</sup> / <sub>8</sub> " (49,2 cm)	10 <sup>3</sup> / <sub>4</sub> " (27,3 cm)	19 <sup>3</sup> / <sub>4</sub> " (50,2 cm)

**Dimensions de l'ouverture à découper - Brûleur latéral encastré**

Position du brûleur	Dimension C	Dimension D	Dimension E
De l'avant vers l'arrière	13 <sup>1</sup> / <sub>2</sub> " (34,3 cm)	10 <sup>3</sup> / <sub>4</sub> " (27,3 cm)	22 <sup>5</sup> / <sub>8</sub> " (57,5 cm)
Côte à côte	24 <sup>1</sup> / <sub>2</sub> " (62,2 cm)	10 <sup>3</sup> / <sub>4</sub> " (27,3 cm)	16 <sup>7</sup> / <sub>8</sub> " (42,9 cm)

**Dimensions de l'ouverture à découper - Brûleur à infrarouge encastré**

	Dimension C	Dimension D	Dimension E
	13 <sup>1</sup> / <sub>2</sub> " (34,3 cm)	10 <sup>5</sup> / <sub>8</sub> " (27,0 cm)	22 <sup>11</sup> / <sub>16</sub> " (57,6 cm)

**Dimensions de l'ouverture à découper - Comptoir pour rafraîchissements encastré**

	Dimension C	Dimension D	Dimension E
	30 <sup>1</sup> / <sub>2</sub> " (77,5 cm)	10 <sup>3</sup> / <sub>4</sub> " (27,3 cm)	23" (58,4 cm)

**Dimensions de l'ouverture à découper - Portes d'accès encastrées**

Taille de la porte	Dimension F	Dimension L*
18" (45,7 cm)	16 <sup>3</sup> / <sub>16</sub> " (41,1 cm)	1 <sup>1</sup> / <sub>2</sub> " (3,8 cm)
27" (68,6 cm)	25 <sup>1</sup> / <sub>8</sub> " (63,8 cm)	1 <sup>1</sup> / <sub>2</sub> " (3,8 cm)
30" (76,2 cm)	28 <sup>1</sup> / <sub>8</sub> " (71,4 cm)	1 <sup>1</sup> / <sub>2</sub> " (3,8 cm)
36" (91,4 cm)	34 <sup>1</sup> / <sub>8</sub> " (86,7 cm)	1 <sup>1</sup> / <sub>2</sub> " (3,8 cm)
48" (121,9 cm)	46 <sup>1</sup> / <sub>8</sub> " (117,2 cm)	1 <sup>1</sup> / <sub>2</sub> " (3,8 cm)

\*La dimension L représente la zone de surface de montage minimale autour de l'ouverture pour le montage de la porte ou des tiroirs facultatifs.

**Dimensions de l'ouverture à découper - Réfrigérateur d'extérieur**

	Dimension G	Dimension H
	24" (61,0 cm)	35 <sup>1</sup> / <sub>4</sub> " (89,5 cm)



### Dimensions de l'ouverture à découper - Machine à glaçons d'extérieur

Dimension G	Dimension H
18" (45,7 cm)	34" (86,4 cm) min. à 34½" (87,6 cm) max.

### Dimensions de l'ouverture à découper - Tiroir-réchaud encastré

Taille du tiroir-réchaud	Dimension J
24" (61 cm)	22½" (57,2 cm)

### Dimensions de l'ouverture à découper - Tiroir utilitaire encastré ou tiroir à déchets encastré

Dimension M	Dimension L*
12¼" (31,1 cm)	1½" (3,8 cm)

\*La dimension L représente la zone de surface de montage minimale autour de l'ouverture pour le montage de la porte ou des tiroirs facultatifs.

## INSTRUCTIONS D'INSTALLATION

### Comptoir pour rafraîchissements encastré

#### **AVERTISSEMENT**

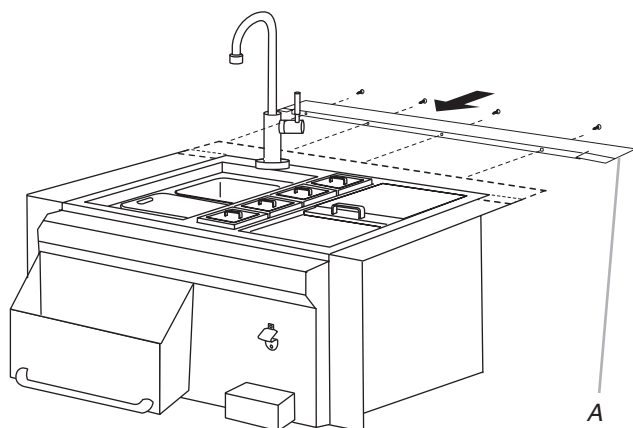
##### Risque du poids excessif

Utiliser deux ou plus de personnes pour déplacer et installer comptoir pour rafraîchissements.

Le non-respect de cette instruction peut causer une blessure au dos ou d'autre blessure.

Demander à un plombier agréé d'installer et de raccorder le comptoir pour rafraîchissements d'extérieur à la source d'eau potable et à l'égout, conformément aux prescriptions du code local en vigueur.

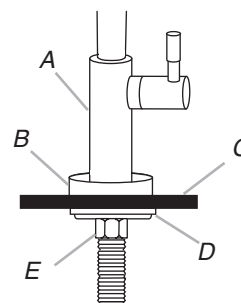
- À deux personnes ou plus, placer le comptoir pour rafraîchissements sur une surface couverte.
- Fixer le rebord arrière à l'arrière du comptoir pour rafraîchissements encastré à l'aide des 4 vis de montage fournies.



A. Rebord arrière

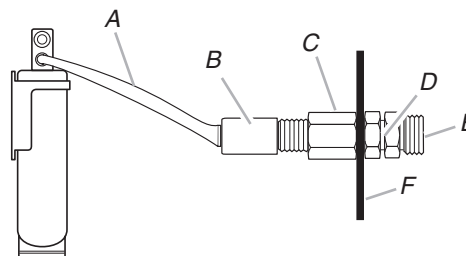
- Vérifier que les points de connexion à l'égout sont sous le comptoir pour rafraîchissements (circuit réalisé conformément aux prescriptions des codes locaux).
- Enlever le robinet du bac à glaçons.

- Installer le robinet; bien serrer.



- A. Robinet  
 B. Garniture de laiton avec joint torique  
 C. Évier  
 D. Joint de plastique  
 E. Écrou de blocage

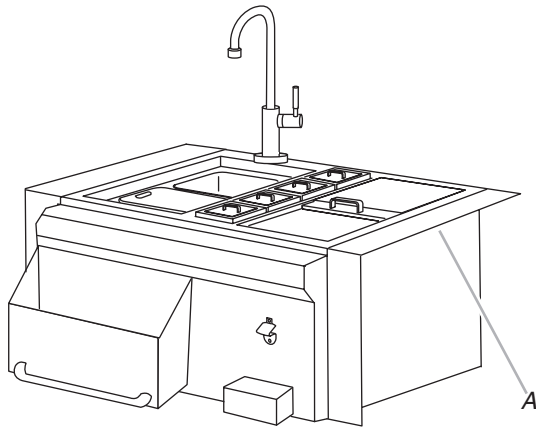
- Installer le raccord d'entrée d'eau en un endroit approprié, sous l'ouverture découpée. Positionner le raccord d'entrée d'eau de telle manière que le tuyau de plastique puisse facilement atteindre le point de connexion sur le filtre.



- A. Tube en plastique depuis le filtre à eau (entrée)  
 B. Connecteur pour tuyau  
 C. Écrou de connexion du tuyau  
 D. Écrou de blocage en laiton  
 E. Raccord d'entrée (adaptateur mâle fileté pour tuyau MHT de ¾" et adaptateur mâle fileté pour tuyau MIP de ½")  
 F. Face extérieure du panneau de montage

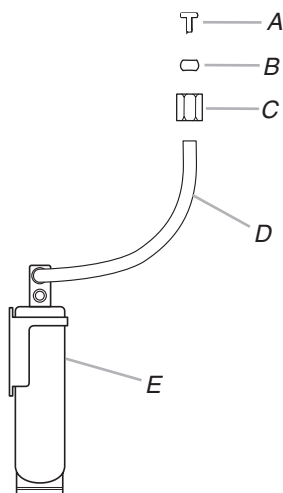
- Les circuits de raccordement à l'égout pour le bac à glaçons et l'évier doivent être réalisés conformément aux prescriptions du code local en vigueur.

8. Sous chaque côté de la garniture de montage, appliquer une coulée de composé d'étanchéité transparent en silicone (résistant aux intempéries).



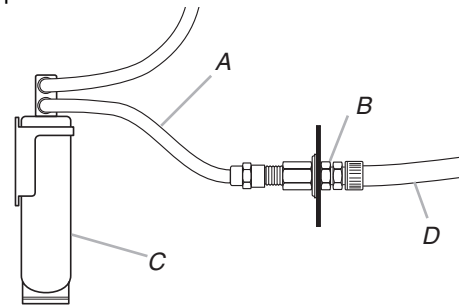
A. Face inférieure de la garniture de montage

9. À deux personnes ou plus, placer le comptoir pour rafraîchissements dans l'ouverture. Enlever immédiatement l'excès de composé d'étanchéité en silicone.
10. Connecter le tube de plastique provenant du filtre à eau au raccord de connexion du robinet; bien serrer.



A. Partie à insérer pour le tube de plastique  
 B. Virole de plastique  
 C. Écrou de compression  
 D. Tube de plastique depuis le filtre à eau (sortie)  
 E. Filtre

11. Connecter le tube en plastique provenant du raccord d'entrée d'eau à l'entrée du filtre. Pour l'arrivée d'eau jusqu'au raccord d'entrée, utiliser un conduit de raccordement homologué (NSF ou UPC). Le circuit de source d'eau potable doit être connecté au raccord d'entrée conformément aux prescriptions du code local.



A. Tube de plastique  
 B. Raccord d'entrée  
 C. Filtre  
 D. Canalisation d'alimentation en eau ou tuyau homologué(e) (NSF ou UPC)

12. Débarrer le couvercle coulissant; placer le couvercle dans le châssis au sommet du bac à glaçons.

## Comptoir pour rafraîchissements autoportant

### **AVERTISSEMENT**

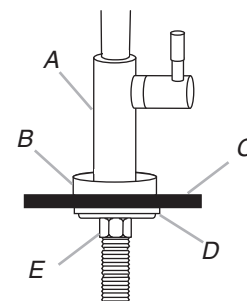
#### Risque du poids excessif

Utiliser deux ou plus de personnes pour déplacer et installer comptoir pour rafraîchissements.

Le non-respect de cette instruction peut causer une blessure au dos ou d'autre blessure.

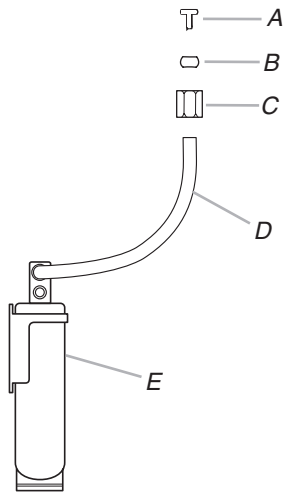
Demander à un plombier agréé d'installer et de raccorder le comptoir pour rafraîchissements d'extérieur à la source d'eau potable et à l'égout, conformément aux prescriptions du code local en vigueur.

1. Vérifier que vous avez un circuit de liaison à l'égout adéquat pour le comptoir pour rafraîchissements.
2. Enlever le robinet du bac à glaçons.
3. Installer le robinet; bien serrer.



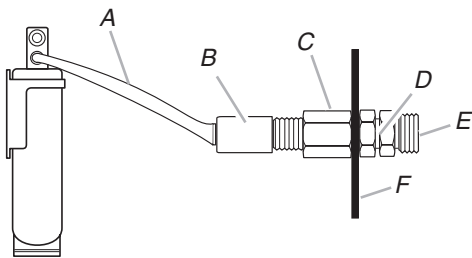
A. Robinet  
 B. Garniture de laiton avec joint torique  
 C. Évier  
 D. Joint de plastique  
 E. Écrou de blocage

4. Connecter le tube de plastique provenant du filtre à eau sur le raccord de connexion du robinet; bien serrer.



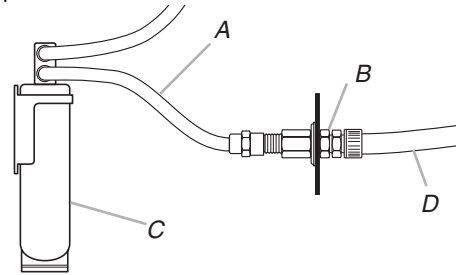
- A. Partie à insérer pour le tube de plastique  
 B. Virole de plastique  
 C. Écrou de compression  
 D. Tube de plastique depuis le filtre à eau (sortie)  
 E. Filtre

5. Installer le raccord d'entrée d'eau dans le trou prévu à cet effet dans le panneau arrière du placard.



- A. Tube de plastique depuis le filtre à eau (entrée)  
 B. Connecteur pour tuyau  
 C. Écrou de connexion du tuyau  
 D. Écrou de blocage en laiton  
 E. Raccord d'entrée (adaptateur mâle fileté pour tuyau MHT de 3/4" et adaptateur mâle fileté pour tuyau MIP de 1/2")  
 F. Face extérieure du panneau de montage

6. Connecter le tube en plastique provenant du raccord d'entrée d'eau à l'entrée du filtre. Pour l'arrivée d'eau jusqu'au raccord d'entrée, utiliser un conduit de raccordement homologué (NSF ou UPC). Le circuit de source d'eau potable doit être connecté au raccord d'entrée conformément aux prescriptions du code local.



- A. Tube de plastique  
 B. Raccord d'entrée  
 C. Filtre  
 D. Canalisation d'alimentation en eau ou tuyau homologué(e) (NSF ou UPC)

7. Débarrer le couvercle coulissant; placer le couvercle dans le châssis au sommet du bac à glaçons.  
 8. Faire pivoter chaque étagère latérale vers le haut jusqu'à la position de verrouillage ou laisser chaque étagère abaissée, selon le besoin.  
 9. Bloquer les roulettes avant pour empêcher le comptoir pour rafraîchissements de bouger.

# ENTRETIEN DU COMPTOIR POUR RAFRAÎCHISSEMENTS

## Nettoyage général

**IMPORTANT :** Toujours suivre les instructions figurant sur les étiquettes des produits de nettoyage.

Du savon, de l'eau et un chiffon doux ou une éponge sont recommandés à moins d'indication contraire.

Pour éviter les dommages causés par les intempéries, utiliser la housse (accessoire) conçue pour le comptoir pour rafraîchissements.

### ACIER INOXYDABLE

#### Méthode de nettoyage :

Frotter dans la direction du grain pour éviter d'endommager la surface en acier inoxydable.

- Les renversements de nourriture doivent être nettoyés dès que possible. Les renversements peuvent causer une décoloration permanente. Utiliser un nettoyeur et un poli pour acier inoxydable pour nettoyer les renversements.

Nettoyant et poli pour acier inoxydable KitchenAid® - Pièce n° 4396920 (non incluse) ou chiffons pour acier inoxydable KitchenAid® - Pièce n° 8212510 (non incluse) :

Voir la section "Assistance ou service" pour commander.

- Détergent liquide ou nettoyeur tout-usage :  
Rincer à l'eau propre et sécher avec un chiffon doux sans charpie.
- Vinaigre pour les taches d'eau dure
- Utiliser un nettoyeur pour les vitres pour retirer les traces de doigts.

Pour éviter d'endommager les surfaces en acier inoxydable, ne pas utiliser de tampons à récurer savonneux, de nettoyeurs abrasifs, de nettoyeurs contenant du chlore, de crème à polir pour table de cuisson, de tampons en laine d'acier, de chiffons de lavage rudes ou certains essuie-tout.

### FILTRE À EAU POUR COMPTOIR POUR RAFRAÎCHISSEMENTS

- Il convient de remplacer le filtre à intervalles de 6 à 12 mois.  
Pour démonter le filtre, faire tourner le filtre d'un quart de tour dans le sens antihoraire.  
Pour l'installation du filtre, enfoncer la nouvelle cartouche et faire tourner dans le sens horaire.

### EXTÉRIEUR DU COMPTOIR POUR RAFRAÎCHISSEMENTS

La qualité de ce matériau résiste à la plupart des taches et piqûres de corrosion dès lors que la surface est maintenue propre et protégée.

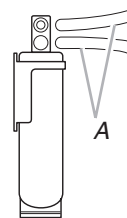
#### Méthode de nettoyage :

- Appliquer le poli pour acier inoxydable sur toutes les zones avant la première utilisation. Appliquer le produit après chaque nettoyage pour éviter d'endommager la surface externe du comptoir pour rafraîchissements.
- Le nettoyage doit toujours être suivi d'un rinçage à l'eau tiède propre.
- Utiliser un poli pour métal ou un nettoyeur pour acier inoxydable pour retirer les traces de doigts, les taches d'eau, l'oxydation et les taches de nourriture. Toujours suivre les directives du fabricant.
- Essuyer complètement la surface à l'aide d'un chiffon doux.

#### Préparation pour l'hiver - robinet et circuit du raccordement à l'égout

Si la température doit s'abaisser au-dessous de 35°F (1,7°C) pendant une période prolongée :

1. Fermer l'arrivée d'eau à l'évier.
2. Enlever le circuit d'arrivée d'eau potable du raccord d'entrée d'eau; remettre le système adéquatement.
3. Déconnecter le filtre et le jeter. (Suivre les instructions fournies avec le filtre à eau du comptoir pour rafraîchissements pour le changer. Voir la section "Assistance ou service" pour commander.)
4. Déconnecter le circuit de raccordement à l'égout du bac à glaçons et de l'évier ainsi que le tube de plastique connecté sur le filtre et laisser l'eau se vidanger.



A. Tube de plastique

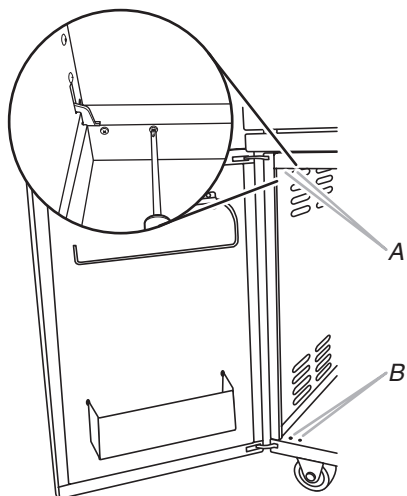
5. Recouvrir le comptoir pour rafraîchissements avec la housse (accessoire) ou une bâche.

## Alignement de la porte du placard

### Style 2 seulement

La/les porte(s) peut/peuvent être réalignée(s) si nécessaire.

1. Inspecter la porte pour déterminer l'alignement nécessaire.
2. Ouvrir la porte du placard.
3. Localiser et desserrer les 4 vis de montage de la charnière de porte d'un demi tour.



A. Vis supérieures (2 - sous le châssis)  
B. Vis inférieures (2)

4. Ajuster la partie supérieure ou inférieure de la porte dans la direction nécessaire pour que la porte soit alignée.
5. Resserrer les 4 vis de montage de charnière de porte.
6. Fermer la porte et vérifier l'alignement.
7. Réajuster la porte en suivant les étapes 2 à 6 si nécessaire.
8. Répéter les étapes 1 à 7 pour l'autre porte si nécessaire.

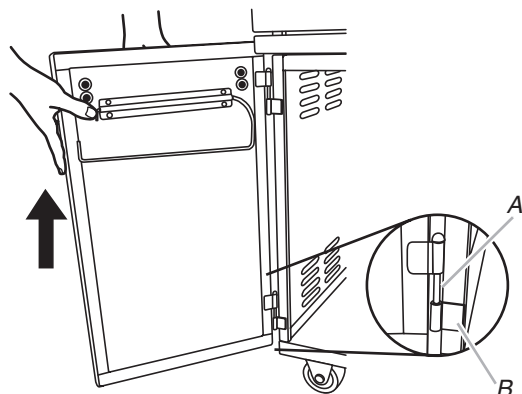
## Dépose de la porte du placard

La/les porte(s) peut/peuvent être retirée(s) si nécessaire pour avoir accès à l'intérieur du placard.

### Style 1

#### Dépose de la porte :

1. Ouvrir la porte du placard.
2. Soulever la porte afin que les broches de charnière glissent hors des supports de charnière du placard.

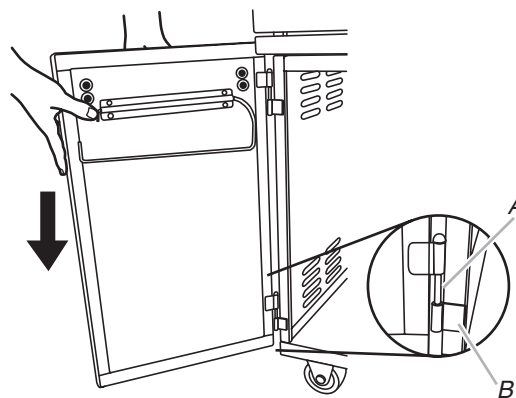


A. Broche de charnière sur la porte  
B. Support de la charnière

3. Répéter les étapes 1 et 2 pour l'autre porte si nécessaire.

#### Remise en place de la porte :

1. Aligner les broches de charnière de la porte avec les charnières sur le placard. Appuyer pour faire pénétrer doucement chaque broche dans l'autre partie de chaque charnière pour la mise en place.



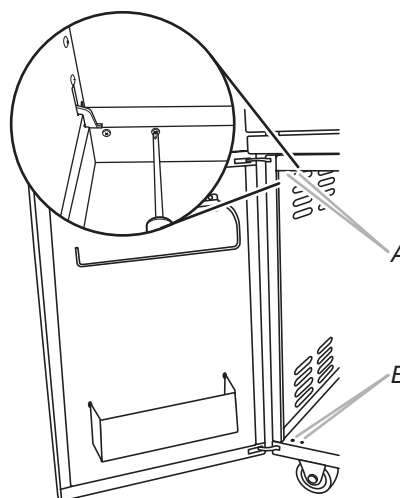
A. Broche de charnière sur la porte  
B. Support de la charnière

2. Répéter l'étape 1 pour l'autre porte si nécessaire.

### Style 2

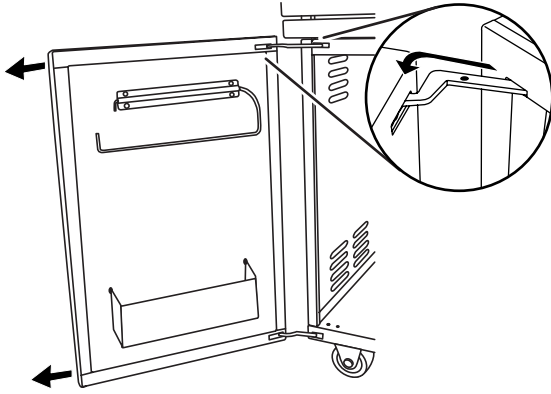
#### Dépose de la porte :

1. Ouvrir la porte complètement.
2. Localiser et retirer les 4 vis de montage de la charnière de porte.



A. Vis supérieures (2 - sous le châssis)  
B. Vis inférieures (2)

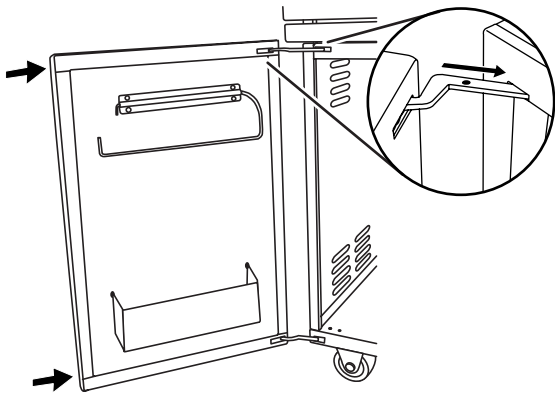
3. Éloigner la porte du centre pour permettre aux charnières de porte de se dégager des encoches du châssis.



4. Répéter les étapes 1 à 3 pour l'autre porte si nécessaire.

#### Remise en place de la porte :

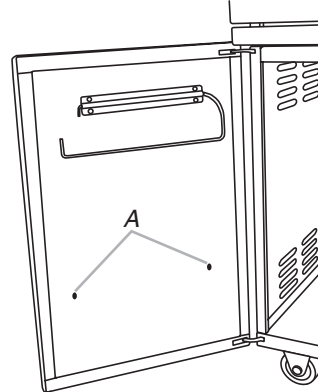
1. Placer les charnières de porte dans les encoches du châssis et les enfoncer pour les mettre en place.



2. Localiser les 4 trous de montage des vis de charnière dans la partie supérieure et inférieure du châssis puis remettre en place les 4 vis. Ne pas serrer.
3. Inspecter et ajuster la porte, puis resserrer les vis. Voir "Alignement de la porte du placard".
4. Répéter les étapes 1 à 3 pour l'autre porte si nécessaire.

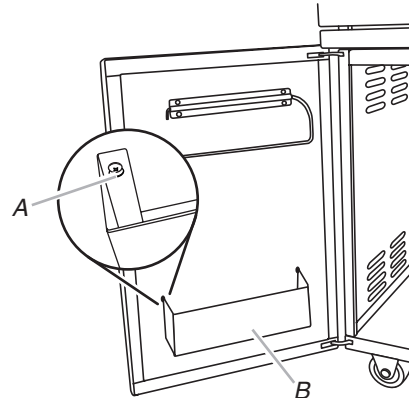
### Fixation de l'étagère à condiments

1. Ouvrir la porte du placard.
2. À l'aide d'un tournevis Philips court ou d'un tournevis à 90° avec embout à vis Philips, desserrer les 2 vis de montage du panneau interne de la porte.



A. Vis de montage

3. Positionner l'étagère à condiments pour engager sur les 2 vis de montage l'extrémité large des trous allongés.



A. Vis de montage dans le trou allongé  
B. Étagère à condiments

4. Abaisser l'étagère à condiments jusqu'à ce que les 2 vis de montage se trouvent dans les extrémités étroites des trous allongés.
5. Serrer les vis.

---

# ASSISTANCE OU SERVICE

---

Avant de faire un appel pour assistance ou service, veuillez vérifier la section "Dépannage". Cette vérification peut vous faire économiser le coût d'une visite de service. Si vous avez encore besoin d'aide, suivez les instructions ci-dessous.

Lors d'un appel, veuillez connaître la date d'achat, le numéro de modèle et le numéro de série au complet de l'appareil. Ces renseignements nous aideront à mieux répondre à votre demande.

## Si vous avez besoin de pièces de rechange

Si vous avez besoin de commander des pièces de rechange, nous vous recommandons d'employer uniquement des pièces spécifiées par l'usine. Les pièces spécifiées par l'usine conviendront et fonctionneront bien parce qu'elles sont fabriquées avec la même précision que celle utilisée dans la fabrication de chaque nouvel appareil KITCHENAID®.

Pour localiser des pièces spécifiées par l'usine dans votre région, nous appelons ou contactons le centre de service désigné KitchenAid le plus proche.

---

## Accessoires

### Nettoyant et poli pour acier inoxydable KitchenAid®

Commander la pièce n° 4396920

### Housse de vinyle pour comptoir pour rafraîchissements d'extérieur autoportant

Commander la pièce n° 8212707

### Housse de vinyle pour comptoir pour rafraîchissements d'extérieur encastré

Commander la pièce n° 8212708

### Filtre à eau

Commander la pièce n° 4396508

---

## Au Canada

Veuillez appeler sans frais le Centre pour l'eXpérience de la clientèle de KitchenAid Canada au : **1-800-807-6777**.

### Nos consultants vous renseigneront sur les sujets suivants :

- Caractéristiques et spécifications sur toute notre gamme d'appareils électroménagers.
- Consignes d'utilisation et d'entretien.
- Vente d'accessoires et de pièces de rechange.
- Références aux marchands locaux, aux distributeurs de pièces de rechange et aux compagnies de service. Les techniciens de service désignés par KitchenAid Canada sont formés pour remplir la garantie des produits et fournir un service après la garantie, partout au Canada.

### Pour plus d'assistance

Si vous avez besoin de plus d'assistance, vous pouvez soumettre par écrit toute question ou préoccupation à KitchenAid Canada à l'adresse suivante :

Centre pour l'eXpérience de la clientèle  
KitchenAid Canada  
1901 Minnesota Court  
Mississauga, Ontario L5N 3A7

Veuillez inclure dans votre correspondance un numéro de téléphone où l'on peut vous joindre dans la journée.

---

# GARANTIE DES PRODUITS POUR USAGE EXTÉRIEUR KITCHENAID®

---

## GARANTIE LIMITÉE

Pendant un an à compter de la date d'achat, lorsque ce produit pour usage extérieur est utilisé et entretenu conformément aux instructions jointes à ou fournies avec le produit, la marque KitchenAid de Whirlpool Corporation ou Whirlpool Canada LP (ci-après désignées "KitchenAid") paiera pour les pièces spécifiées par l'usine et la main-d'œuvre pour corriger les vices de matériaux ou de fabrication. Le service doit être fourni par une compagnie de service désignée par KitchenAid. Cette garantie limitée est valide uniquement aux États-Unis ou au Canada et s'applique exclusivement lorsque l'appareil pour usage extérieur est utilisé dans le pays où il a été acheté. À l'extérieur du Canada et des 50 États des États-Unis, cette garantie limitée ne s'applique pas. Une preuve de la date d'achat original est exigée pour obtenir un service dans le cadre de la présente garantie limitée.

---

## GARANTIE LIMITÉE DE LA DEUXIÈME À LA CINQUIÈME ANNÉE INCLUSIVEMENT SUR LES PIÈCES POUR LES GRILS UNIQUEMENT

De la deuxième à la cinquième année inclusivement à compter de la date d'achat, lorsque ce gril est utilisé et entretenu conformément aux instructions jointes à ou fournies avec le produit, KitchenAid paiera pour les pièces spécifiées par l'usine pour corriger les vices de matériaux ou de fabrication.

---

## GARANTIE LIMITÉE À VIE SUR LES COMPOSANTS EN ACIER INOXYDABLE POUR LES GRILS UNIQUEMENT

Pour la durée de vie du produit, lorsque ce gril est utilisé et entretenu conformément aux instructions jointes à ou fournies avec le produit, KitchenAid paiera pour le remplacement de la structure en acier inoxydable en cas de vices de matériaux ou de fabrication. Pour la durée de vie du produit, lorsque ce gril est utilisé et entretenu conformément aux instructions jointes à ou fournies avec le produit, KitchenAid paiera pour les pièces de rechange des brûleurs du gril en acier inoxydable.

---

---

## ARTICLES EXCLUS DE LA GARANTIE

### La présente garantie limitée ne couvre pas :

1. Les visites de service pour rectifier l'installation du produit pour usage extérieur, montrer à l'utilisateur comment utiliser l'appareil pour usage extérieur, remplacer ou réparer des fusibles ou rectifier le câblage ou la plomberie du domicile.
2. Les défauts apparents, notamment les éraflures, les bosses, fissures ou tout autre dommage au fini du produit pour usage extérieur, à moins que ces dommages soient dus à des vices de matériaux ou de fabrication et soient signalés à KitchenAid dans les 30 jours suivant la date d'achat.
3. Les réparations lorsque le produit pour usage extérieur est utilisé à des fins autres que l'usage unifamilial normal ou lorsque les instructions d'installation et/ou les instructions de l'opérateur ou de l'utilisateur fournies ne sont pas respectées.
4. Les dommages imputables à : accident, modification, usage impropre ou abusif, incendie, inondation, actes de Dieu, installation fautive ou installation non conforme aux codes d'électricité ou de plomberie, ou l'utilisation de pièces consommables ou de produits nettoyants non approuvés par KitchenAid.
5. L'ensemble de conversion ou l'appel de service pour la conversion de produit pour usage extérieur de gaz naturel à propane ou de propane à gaz naturel.
6. Les coûts associés au transport du produit pour usage extérieur du domicile pour réparation. Ce produit pour usage extérieur est conçu pour être réparé à domicile et seul le service à domicile est couvert par la présente garantie.
7. Les réparations aux pièces ou systèmes résultant d'une modification non autorisée faite à l'appareil pour usage extérieur.
8. Les frais de transport pour le service d'un produit si votre appareil pour usage extérieur est situé dans une région éloignée où un service d'entretien KitchenAid autorisé n'est pas disponible.
9. La dépose et la réinstallation de votre appareil pour usage extérieur si celui-ci est installé dans un endroit inaccessible ou n'est pas installé conformément aux instructions d'installation fournies.
10. Les dommages résultant de l'usure normale du produit pour usage extérieur.
11. Les appareils pour usage extérieur dont les numéros de série et de modèle originaux ont été enlevés, modifiés ou qui ne peuvent pas être facilement identifiés. La présente garantie est nulle si le numéro de série d'usine a été modifié ou enlevé du produit pour usage extérieur.

Le coût d'une réparation ou d'un remplacement dans le cadre de ces circonstances exclues est à la charge du client.

---

### CLAUSE D'EXONÉRATION DE RESPONSABILITÉ AU TITRE DES GARANTIES IMPLICITES; LIMITATION DES RECOURS

LE SEUL ET EXCLUSIF RECOURS DU CLIENT DANS LE CADRE DE LA PRÉSENTE GARANTIE LIMITÉE CONSISTE EN LA RÉPARATION PRÉVUE CI-DESSUS. LES GARANTIES IMPLICITES, Y COMPRIS LES GARANTIES APPLICABLES DE QUALITÉ MARCHANDE ET D'APTITUDE À UN USAGE PARTICULIER, SONT LIMITÉES À UN AN OU À LA PLUS COURTE PÉRIODE AUTORISÉE PAR LA LOI. KITCHENAID N'ASSUME AUCUNE RESPONSABILITÉ POUR LES DOMMAGES FORTUITS OU INDIRECTS. CERTAINES JURIDICTIONS NE PERMETTENT PAS L'EXCLUSION OU LA LIMITATION DES DOMMAGES FORTUITS OU INDIRECTS, OU LES LIMITATIONS DE LA DURÉE DES GARANTIES IMPLICITES DE QUALITÉ MARCHANDE OU D'APTITUDE À UN USAGE PARTICULIER, DE SORTE QUE CES EXCLUSIONS OU LIMITATIONS PEUVENT NE PAS S'APPLIQUER DANS VOTRE CAS. CETTE GARANTIE VOUS CONFÈRE DES DROITS JURIDIQUES SPÉCIFIQUES ET VOUS POUVEZ ÉGALEMENT JOUIR D'AUTRES DROITS QUI PEUVENT VARIER D'UNE JURIDICTION À UNE AUTRE.

---

Si vous résidez à l'extérieur du Canada et des 50 États des États-Unis, contactez votre marchand KitchenAid autorisé pour déterminer si une autre garantie s'applique.

Si vous avez besoin de service, voir d'abord la section "Dépannage" du Guide d'utilisation et d'entretien. Après avoir vérifié la section "Dépannage", de l'aide supplémentaire peut être trouvée en vérifiant la section "Assistance ou service" ou en appelant KitchenAid. Aux É.-U., composer le **1-800-422-1230**. Au Canada, composer le **1-800-807-6777**. 2/09

---

**Conservez ce manuel et votre reçu de vente ensemble pour référence ultérieure. Pour le service sous garantie, vous devez présenter un document prouvant la date d'achat ou d'installation.**

Inscrivez les renseignements suivants au sujet de votre gros appareil ménager pour mieux vous aider à obtenir assistance ou service en cas de besoin. Vous devrez connaître le numéro de modèle et le numéro de série au complet. Vous trouverez ces renseignements sur la plaque signalétique située sur le produit.

Nom du marchand \_\_\_\_\_  
Adresse \_\_\_\_\_  
Numéro de téléphone \_\_\_\_\_  
Numéro de modèle \_\_\_\_\_  
Numéro de série \_\_\_\_\_  
Date d'achat \_\_\_\_\_