

KitchenAid® 36" Island Range Hood

PRODUCT MODEL NUMBERS

KICU465S

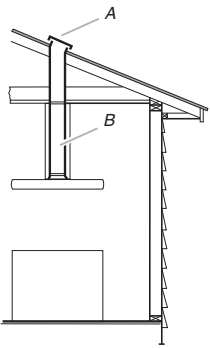
Electrical: 120-volt, 60-Hz, AC-only, 15-amp, fused electrical circuit is required. Use copper wire only.

VENTING REQUIREMENTS

Note: Flexible vent is not recommended. Flexible vent creates back pressure and air turbulence that greatly reduce performance.

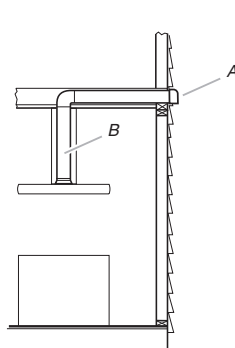
Vent system can terminate either through the roof or wall. To vent through a wall, a 90° elbow is needed.

Roof Venting





A. Roof cap
B. 6" (15.2 cm) round vent

Wall Venting



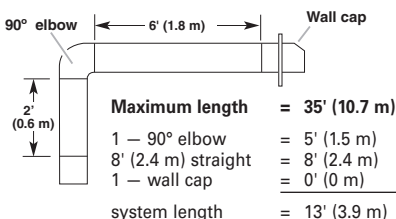
A. Wall cap
B. 6" (15.2 cm) round vent

To calculate the length of the system you need, add the equivalent feet (meters) for each vent piece used in the system.

| Vent piece | 6" (15.2 cm) round |
|------------|---|
| 45° elbow | 2.5' (0.8 m)  |
| 90° elbow | 5.0' (1.5 m)  |

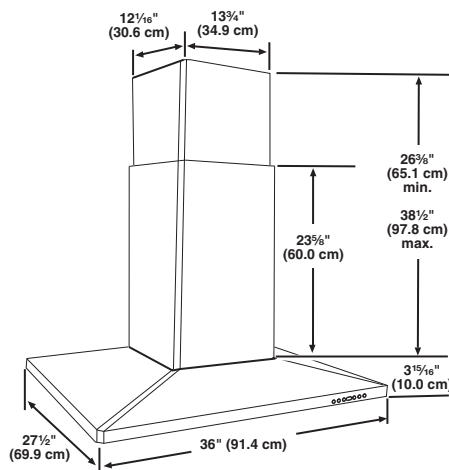
Maximum equivalent vent length is 35' (10.7 m).

Example Vent System

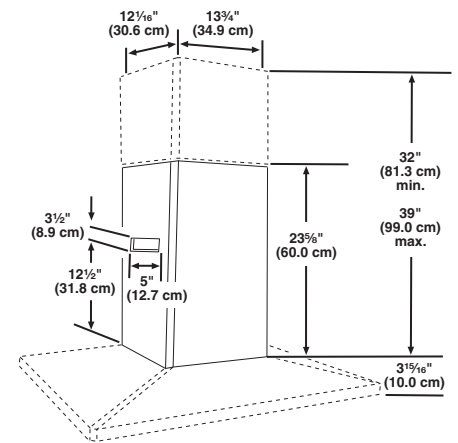


PRODUCT DIMENSIONS

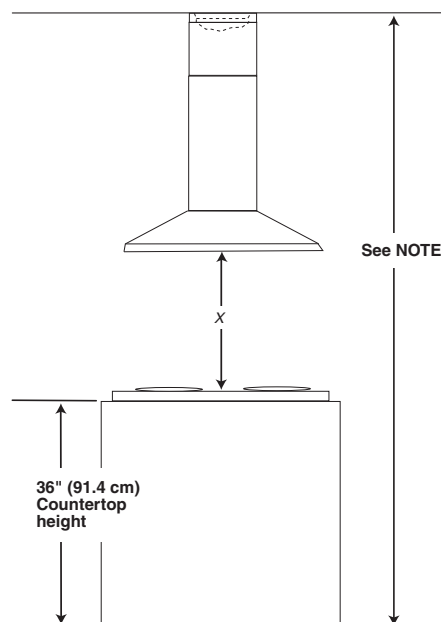
Vented installations



Non-vented (recirculating) installations



INSTALLATION CLEARANCES



Note: The hood chimneys are adjustable and designed to meet varying ceiling or soffit heights depending on the distance "X" between the bottom of the hood and the cooking surface. For higher ceilings, a 40" (101.6 cm) Chimney Extension Kit Part Number 8212698 (Black), Kit Part Number 8212696 (Stainless Steel) or Kit Part Number 8212697 (White) is available. See your dealer. The chimney extension replaces the upper chimney shipped with the hood.

Important:

- Minimum distance "X": 24" (61.0 cm)
Suggested maximum distance "X": 30" (76.2 cm)
- For vented installations, the chimney can be adjusted for ceilings between 7' 7-1/8" (2.31 m) and 9' 1-3/4" (2.79 m).
- For non-vented (recirculating) installations, the chimney can be adjusted for ceilings between 8' 3-3/8" (2.52 m) and 9' 5-1/4" (2.88 m).

Important:

As hood height (distance X) **increases**, hood's venting effectiveness **decreases**.