

KitchenAid® 30" (76.2 CM) and 36" (91.4 CM) Retractable Downdraft Vent System

PRODUCT MODEL NUMBERS

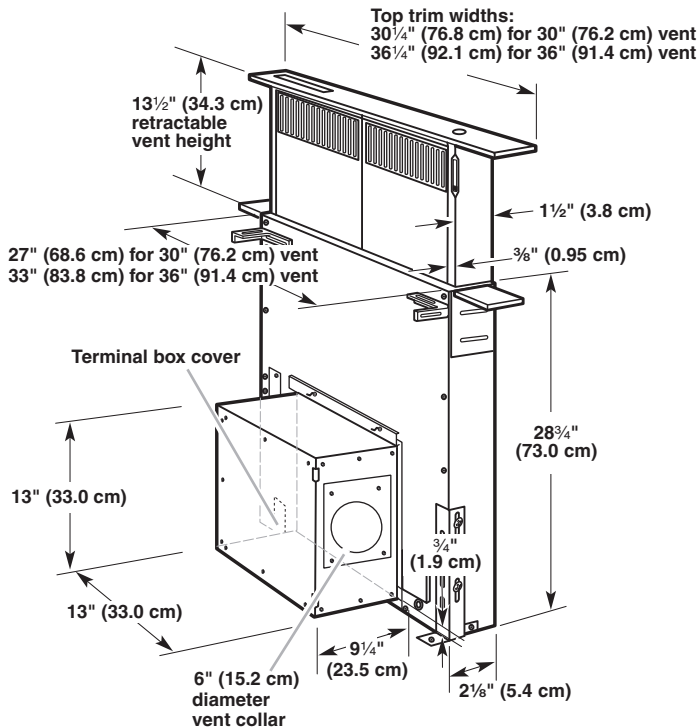
KIRD801V
KIRD861V
KIRD862V

ELECTRICAL REQUIREMENTS

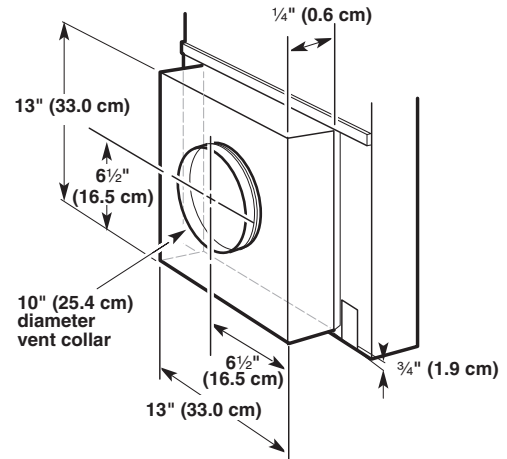
A 120-volt, 60-Hz, AC-only, 15-amp, fused electrical circuit is required. Use copper wire only.

PRODUCT DIMENSIONS

Interior-mounted blower motor model

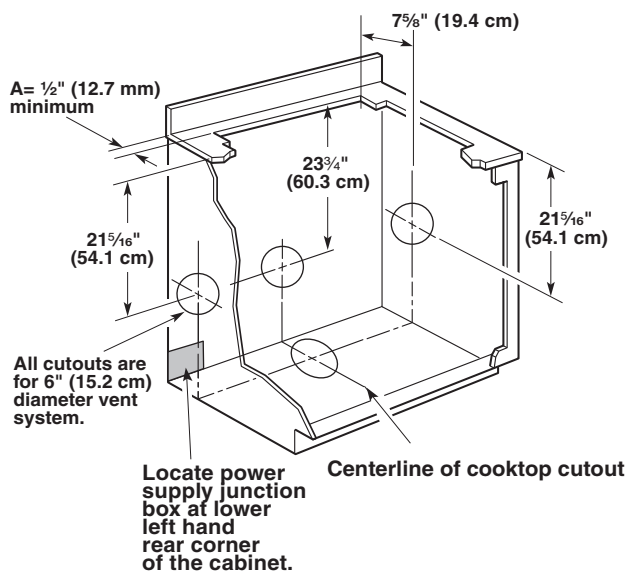


Exterior-mounted blower motor model - used with Part Number KPEC992M

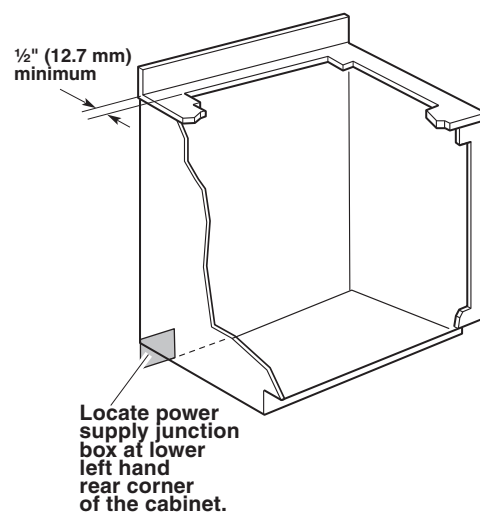


CABINET DIMENSIONS

Interior-mounted blower motor model

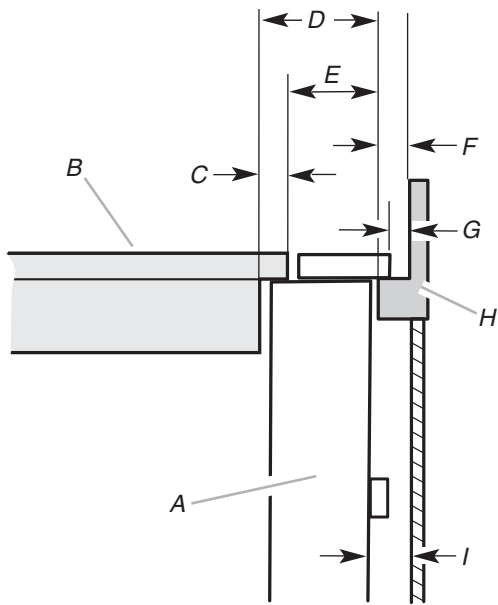


Exterior-mounted blower motor model

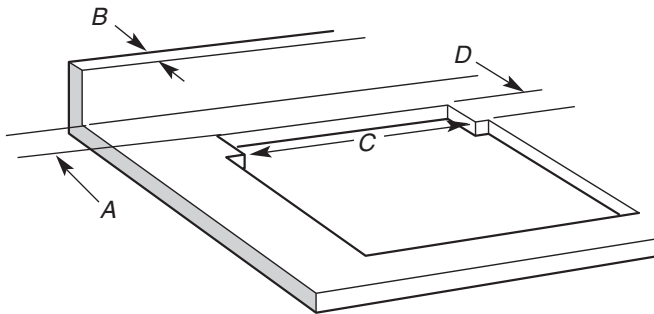


KitchenAid® 30" (76.2 CM) and 36" (91.4 CM) Retractable Downdraft Vent System

COUNTERTOP CUTOUT DIMENSIONS



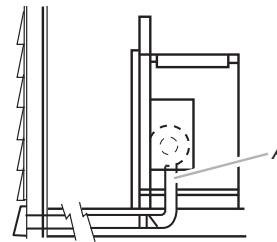
- A. Downdraft vent
- B. Cooktop
- C. Measurement of cooktop rear overhang.
- D. $D = \text{Measurement of cooktop rear overhang (C)} + 1\frac{13}{16}" [46.2 \text{ mm}] (E)$
- E. $1\frac{13}{16}" (46.2 \text{ mm})$
- F. $\frac{1}{2}" (12.7 \text{ mm})$ minimum
- G. $\frac{1}{4}" (6.4 \text{ mm})$ minimum
- H. Countertop and backsplash
- I. $\frac{1}{2}" (12.7 \text{ mm})$ minimum



- A. $\frac{1}{2}" (12.7 \text{ mm})$ minimum to backsplash or rear wall
- B. $\frac{3}{4}" (19.1 \text{ mm})$ maximum backsplash depth
- C. $27\frac{1}{2}" (69.9 \text{ cm})$ on 30" (76.2 cm) models
 $33\frac{1}{2}" (85.9 \text{ cm})$ on 36" (91.4 cm) models
- D. $D = \text{Measurement of cooktop rear overhang} + 1\frac{13}{16}" (46.2 \text{ mm})$

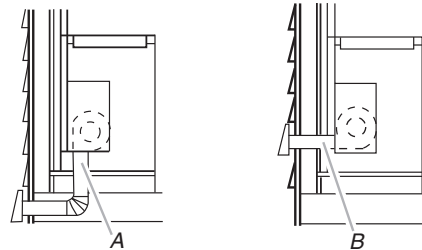
VENTING REQUIREMENTS

Island location



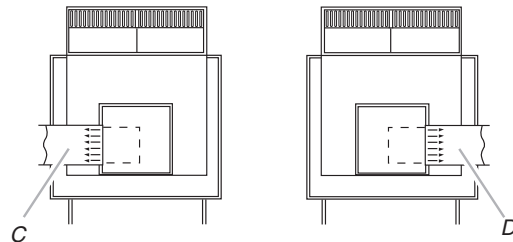
A. Down vent

Built-in cabinet locations



A

B



A. Down vent

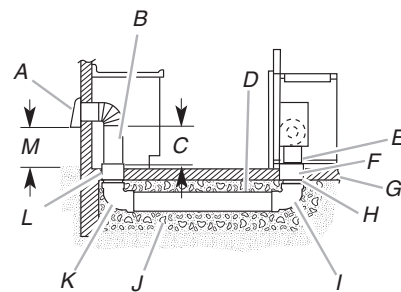
B. Rear vent

C. Left vent

D. Right vent

Island Location

Vent system installed under a concrete slab using PVC sewer pipe.



- A. Wall cap
- B. 6" (15.2 cm) round metal vent
- C. 16" (40.6 cm) maximum
- D. 6" (15.2 cm) round PVC sewer pipe
- E. 6" (15.2 cm) round metal vent
- F. 6" (15.2 cm) round PVC coupling
- G. Concrete slab
- H. 6" (15.2 cm) round PVC sewer pipe
- I. 6" (15.2 cm) round 90° PVC sewer pipe elbow
- J. Tightly pack gravel or sand completely around pipe.
- K. 6" (15.2 cm) round 90° PVC sewer pipe elbow
- L. 6" (15.2 cm) round PVC coupling
- M. 12" (30.5 cm) minimum

KitchenAid® 30" (76.2 CM) and 36" (91.4 CM) Retractable Downdraft Vent System

VENTING REQUIREMENTS




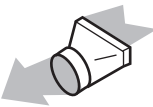
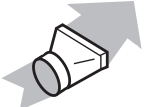
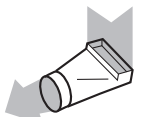
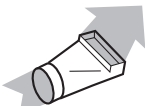
It is recommended that you use round vent instead of rectangular vent, especially if elbows are required. If rectangular vent is required, it should be transitioned to 6" (15.2 cm) round vent as soon as possible.

To calculate the length of the system you need, add the equivalent feet (meters) for each vent piece used in the system.

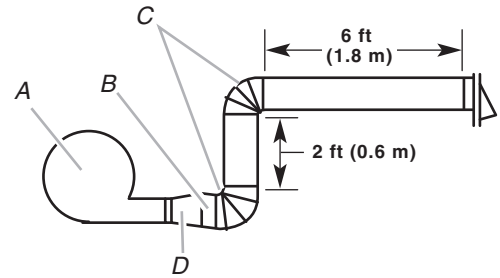
Maximum Length of Vent System

Vent	Length
6" (15.2 cm) round	35 ft (8.9 m)
3¼" x 10" (8.3 cm x 25.4 cm)	35 ft (8.9 m)

To calculate the length of the system you need, add the equivalent feet (meters) for each vent piece used in the system.

Vent Piece	6" (15.2 cm) Round	
45° elbow	2.5 ft (0.8 m)	
90° elbow	5.0 ft (1.5 m)	
6" (15.2 cm) wall cap	0.0 ft (0.0 m)	
3¼" x 10" (8.3 cm x 25.4 cm) to 6" (15.2 cm) transition	4.5 ft (1.4 m)	
6" (15.2 cm) to 3¼" x 10" (8.3 cm x 25.4 cm) transition	1 ft (0.3 m)	
3¼" x 10" (8.3 cm x 25.4 cm) to 6" (15.2 cm) 90° elbow transition	5.0 ft (1.5 m)	
6" (15.2 cm) to 3¼" x 10" (8.3 cm x 25.4 cm) 90° elbow transition	5.0 ft (1.5 m)	

Example Vent System



- A. Blower motor
- B. Transition
- C. 90° elbows
- D. 6" backdraft damper (supplied)

IMPORTANT: Make sure there is proper clearance within the wall or floor before making exhaust vent cutouts.

Use heavy (rigid) metal vent.

Venting system must terminate to the outside.

Do not terminate the vent system in an attic or other enclosed area.

Do not use 4" (10.2 cm) laundry-type wall caps.

Do not install 2 elbows together.

Do not use plastic or metal foil vent.

The length of vent system and number of elbows should be kept to a minimum to provide efficient performance.

Use no more than three 90° elbows

Make sure there is a minimum of 24" (61 cm) of straight vent between the elbows if more than one elbow is used.

Use clamps to seal all joints in the vent system.

Use caulking tape to seal the exterior wall or floor opening around cap.

Do not cut joist or stud. If vent cutout falls over a joist or stud, a supporting frame must be constructed.

Flexible metal vent is not recommended. If it is used, calculate each foot of flexible vent as 2 ft (0.6 m) of rigid metal vent. Flexible elbows count twice as much as standard elbows.

Recommended vent system length:

For either interior-mounted or exterior-mounted blower installations, the vent system length should not exceed the maximum lengths listed in the Maximum Length of Vent System chart.