

Custom Panel Dimensions

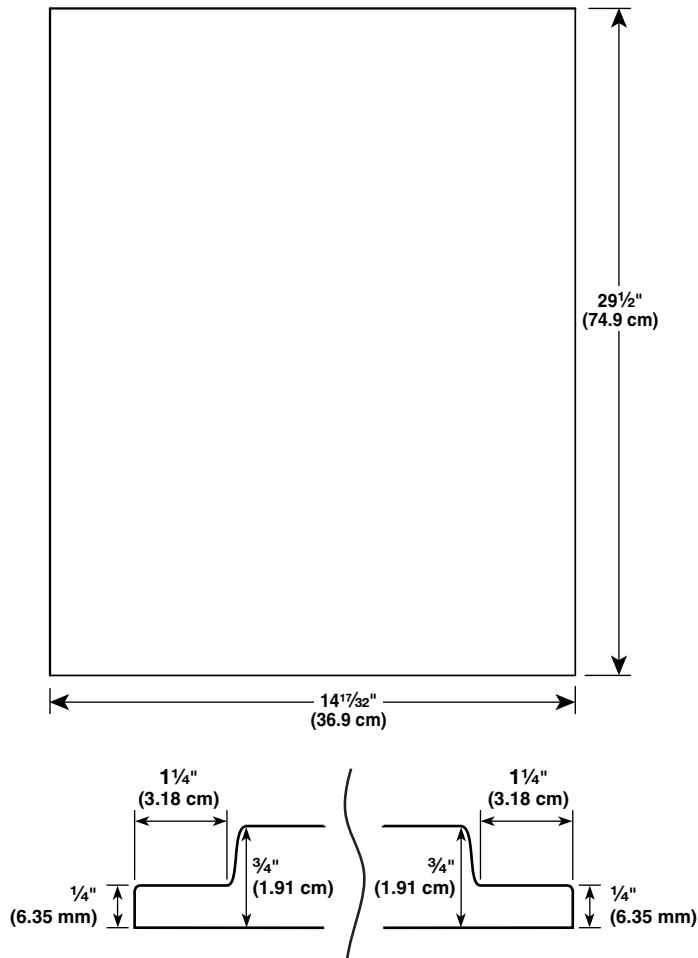
If you plan to install a custom overlay panel, you will need to make the panel yourself or consult a qualified cabinetmaker or carpenter.

IMPORTANT:

- The thickness of the overlay panel must be $\frac{3}{4}$ " (1.91 cm).
- Overlay panel must not weigh more than 8 lbs (3.62 kg).
- Overlay panels weighing more than recommended may cause damage to your ice maker.
- Match wood grain direction with that of adjacent cabinets.
- Sand panel edges to provide a smooth finish.
- Use moisture sealer on both sides and all edges of the panel to avoid damage from moisture.

Option 1—Without Hinge-Side Spacer

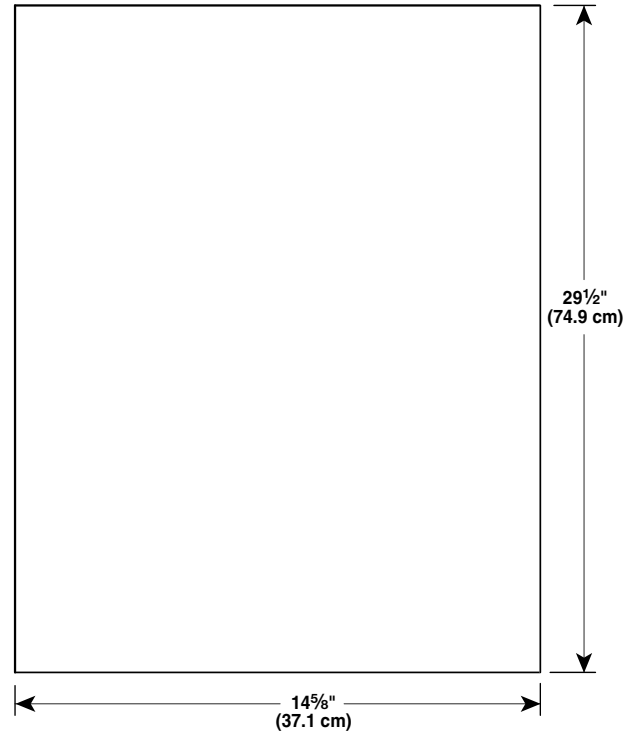
To allow proper clearance for the door, prepare the custom overlay panel using the dimensions shown.



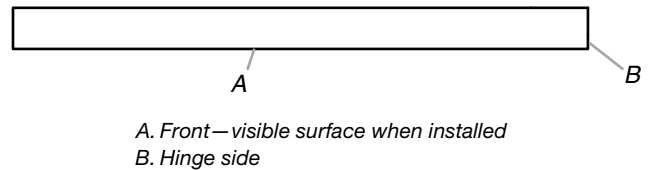
Option 2—With Hinge-Side Spacer

To achieve a flush installation with adjacent cabinets, prepare the custom overlay panel using the dimensions shown.

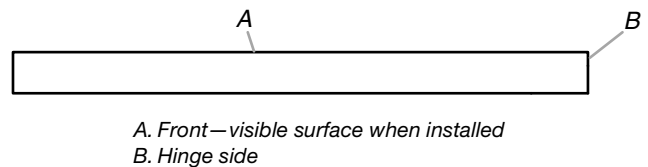
Front of Panel



Top of Panel



Bottom of Panel



⚠ WARNING

Excessive Weight Hazard

**Use two or more people to move and install ice maker.
Failure to do so can result in back or other injury.**

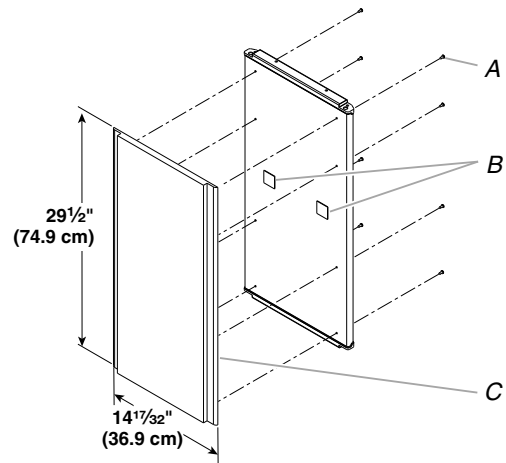
- Style 1**—For gravity drain system, push the ice maker into position so that the ice maker drain tube is positioned over the PVC drain reducer. See “Gravity Drain System.”
Style 2—For drain pump system connect the drain pump outlet hose to the drain. See “Drain Pump System.”
- Recheck the ice maker to be sure that it is level. See “Leveling.”
- If it is required by your local sanitation code, seal the cabinet to the floor with an approved caulking compound after all water and electrical connections have been made.

Install Custom Overlay Panel

IMPORTANT: Create custom overlay panel according to the specifications in the “Custom Panel Dimensions” section.

- Install the ice maker.
- Level the ice maker. See “Leveling.”
- Place the ice maker under the cabinet so that the front edge of the custom panel will align with the front edge of the surrounding cabinets.
- Hold the custom panel up to the ice maker and check that the opening and alignment are correct. Mark location of the panel on the unit as necessary.
- Mark location of the handle. Remove the panel from the door, and then drill holes for the handle.
- Install the door handle on the panel.
- Remove the tape from the face of the door.
- Remove the paper backing from the adhesive pads that are located on the door front.
- Place the panel on the door, align with markings and apply pressure in the area of the adhesive pads.
- Make sure the ice maker door opens and closes easily.
- Pull the ice maker forward to access the top and sides of the door.
- Remove the gaskets from the interior door panel and set aside.
- Using the factory drilled holes as a guide, and mark the drilling locations on the overlay panel.
- Drill eight $\frac{1}{8}$ " x $\frac{1}{2}$ " (3.18 mm x 12.7 mm) deep holes into the overlay panel.
NOTE: Do not drill deeper than $\frac{1}{2}$ " (12.7 mm).
- Use eight #8 x $\frac{1}{2}$ " pan-head wood screws to attach the panel to the door.
- Replace the gaskets on the inner door panel.
- Move the ice maker back into place under the counter.

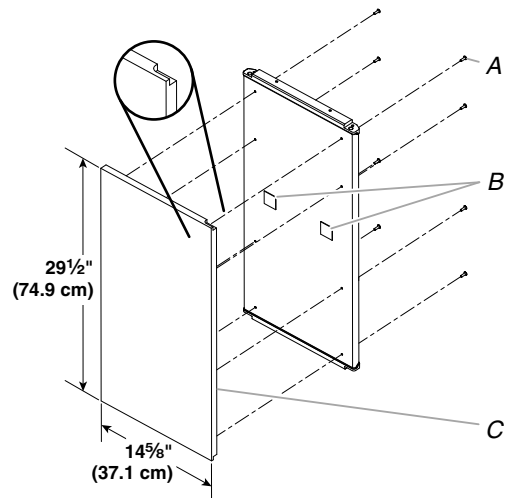
Option 1—Without Hinge-Side Spacer



A. #8 x $\frac{1}{2}$ " pan-head wood screw

B. Adhesive pads
C. Custom panel

Option 2—With Hinge-Side Spacer



A. #8 x $\frac{1}{2}$ " pan-head wood screw

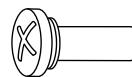
B. Adhesive pads
C. Custom panel

Door Reversal—Side Swing Only

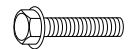
Tools Needed

Gather the required tools and parts before starting installation.

- $\frac{5}{16}$ " wrench
- Flat putty knife
- $\frac{1}{4}$ " wrench
- Phillips screwdriver



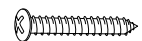
Hinge pin



$\frac{5}{16}$ " hex-head hinge screw



Handle screw



End cap screw