

KitchenAid® Side by Side Built-In Refrigerator

HOME APPLIANCES

PRODUCT MODEL NUMBERS

KSSC36FT	KSSO42FT	KSSS42FT
KSSC36QT	KSSO42QT	KSSS48FT
KSSC42FT	KSSO48FT	KSSS36QT
KSSC42QT	KSSO48QT	KSSS48QT
KSSC48FT	KSSP36QT	KSSS48QT
KSSC48QT	KSSP42QT	KSSC42QV
KSSO36FT	KSSP48QT	KSSC48QV
KSSO36QT	KSSS36FT	

Electrical: A 115-volt, 60-Hz, AC-only 15- or 20-amp fused, grounded electrical supply is required. It is recommended that a separate circuit serving only your refrigerator be provided. Use an outlet that cannot be turned off by a switch. Do not use an extension cord.

Water Supply: A cold water supply with water pressure of between 30 and 120 psi (207 and 827 kPa) is required to operate the water dispenser and ice maker. If you have questions about your water pressure, call a licensed, qualified plumber.

IMPORTANT: The pressure of the water supply coming out of a reverse osmosis system going to the water inlet valve of the refrigerator needs to be between 30 and 120 psi (207 and 827 kPa).

If a reverse osmosis water filtration system is connected to your cold water supply, the water pressure to the reverse osmosis system needs to be a minimum of 40 to 60 psi (276 to 414 kPa).

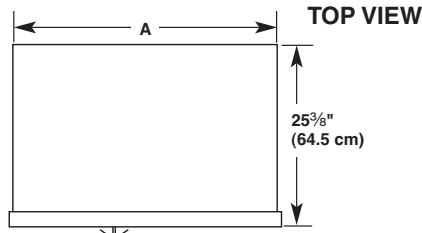
The water shutoff should be located in the base cabinet on either side of the refrigerator or some other easily accessible area. The right-hand side is recommended. The access hole through the cabinet must be within 1/2" (12.7 mm) of the rear wall.

NOTE: If the water shut off valve is in the back wall behind the refrigerator, it must be at an angle so that the tube is not kinked when the refrigerator is pushed into its final position.

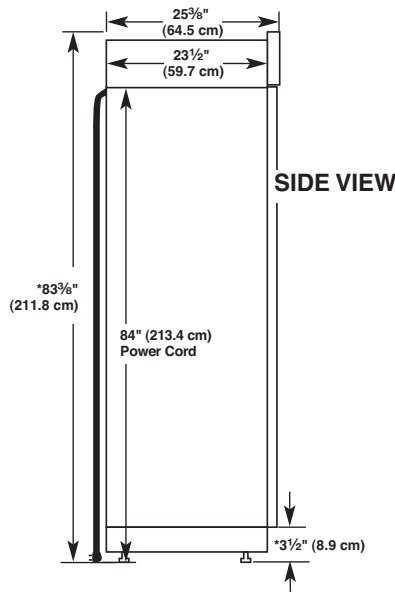
If the water shutoff valve is not in the cabinets, the plumbing for the water line can come through the floor or the back wall.

Do not install the refrigerator near an oven, radiator, or other heat source, nor in a location where the temperature will fall below 55°F (13°C).

PRODUCT DIMENSIONS



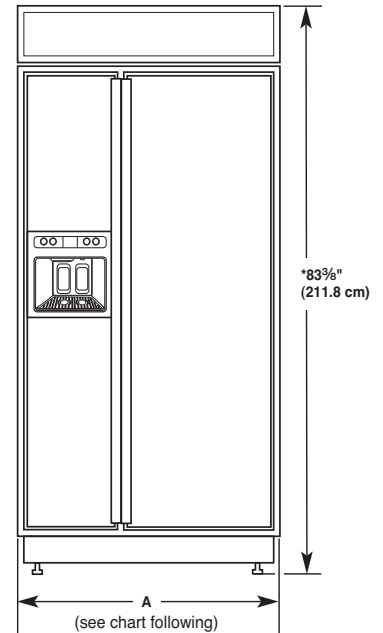
Model	Width A
36	35" (88.9 cm)
42	41" (104.1 cm)
48	47" (119.4 cm)



*When leveling legs are fully extended to 1/4" (3.2 cm) below rollers, add 1/8" (2.9 cm) to the height dimensions.

- Height dimensions are shown with the leveling legs extended to 1/8" (3 mm) below the rollers.
- The power cord is 84" (213 cm) long.
- The water line attached to the back of the refrigerator is 5' (1.5 m) long.

FRONT VIEW



Model	Width A (Trim edge to trim edge)
36	36 1/4" (92.1 cm)
42	42 1/4" (107.3 cm)
48	48 1/4" (122.6 cm)

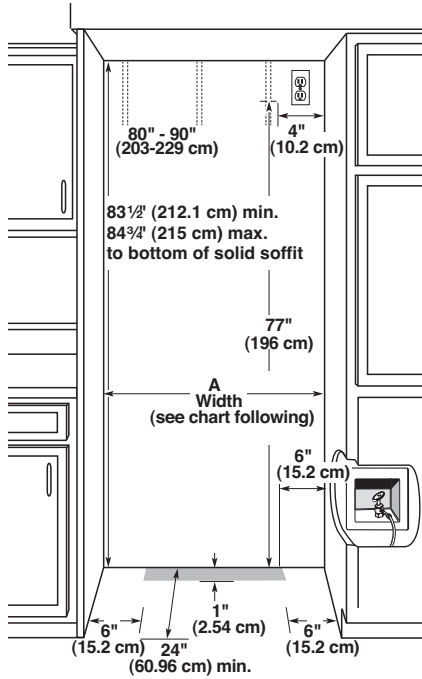
KitchenAid® Side by Side Built-In Refrigerator

HOME APPLIANCES

PRODUCT MODEL NUMBERS

KSSC36FT	KSSO42FT	KSSS42FT
KSSC36QT	KSSO42QT	KSSS48FT
KSSC42FT	KSSO48FT	KSSS36QT
KSSC42QT	KSSO48QT	KSSS42QT
KSSC48FT	KSSP36QT	KSSS48QT
KSSC48QT	KSSP42QT	KSSC42QV
KSSO36FT	KSSP48QT	KSSC48QV
KSSO36QT	KSSS36FT	

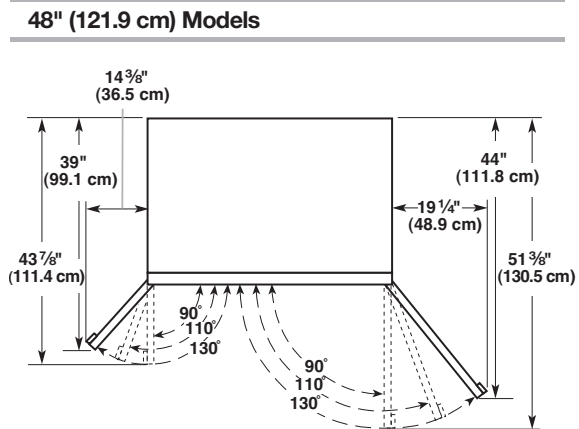
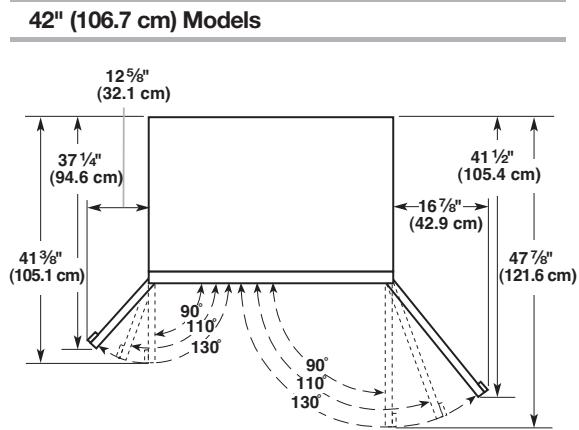
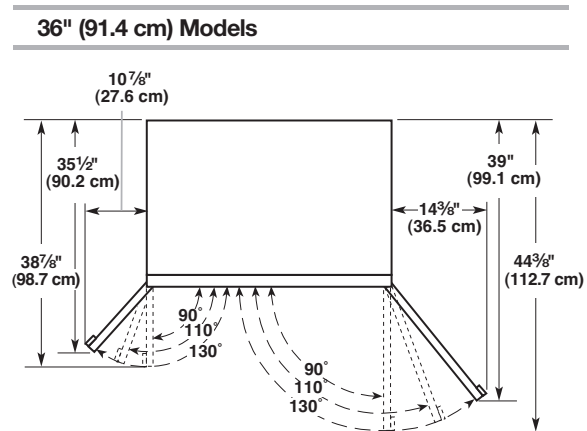
CABINET OPENING DIMENSIONS



Model	Width A (as shown above)
36	35½" (90.2 cm) to 35¾" (90.8 cm)
42	41½" (105.4 cm) to 41¾" (106.1 cm)
48	47½" (120.7 cm) to 47¾" (121.3 cm)

NOTE: Flooring under refrigerator must be at same level as the room. Face of cabinetry must be plumb.

DOOR SWING DIMENSIONS



The location must permit both doors to open to a minimum of 90°. Allow 4-1/2" (11.4 cm) minimum space between the side of the refrigerator and a corner wall.

NOTE: More clearance may be required if you are using overlay panels, custom handles, or extended handles on a Classic model.