

# INSTALLATION INSTRUCTIONS

## Counter Depth Side by Side Refrigerator

**IMPORTANT:** READ AND SAVE THESE INSTRUCTIONS. INSTALLATION REQUIRES 2 OR MORE PEOPLE.

# INSTRUCCIONES DE INSTALACIÓN

## Refrigerador de dos puertas con profundidad de mostrador

**IMPORTANTE:** LEA Y GUARDE ESTAS INSTRUCCIONES. LA INSTALACIÓN REQUIERE DE 2 O MÁS PERSONAS.

# INSTRUCTIONS D'INSTALLATION

## Réfrigérateur côte à côte à profondeur de comptoir

**IMPORTANT :** LIRE ET CONSERVER CES INSTRUCTIONS. L'INSTALLATION NÉCESSITE L'INTERVENTION DE 2 PERSONNES OU PLUS.

### Table of Contents / Índice / Table des matières

<b>ASSISTANCE OR SERVICE</b> .....	<b>1</b>	<b>AYUDA O SERVICIO TÉCNICO</b> .....	<b>12</b>	<b>ASSISTANCE OU SERVICE</b> .....	<b>24</b>
<b>REFRIGERATOR SAFETY</b> .....	<b>2</b>	<b>SEGURIDAD DEL REFRIGERADOR</b> .....	<b>12</b>	<b>SÉCURITÉ DU RÉFRIGÉRATEUR</b> .....	<b>24</b>
<b>INSTALLATION REQUIREMENTS</b> .....	<b>2</b>	<b>REQUISITOS DE INSTALACIÓN</b> .....	<b>12</b>	<b>EXIGENCES D'INSTALLATION</b> .....	<b>24</b>
Tools and Parts .....	2	Piezas y herramientas .....	12	Outillage et pièces .....	24
Product Dimensions .....	2	Medidas del producto .....	13	Dimensions du produit .....	25
Location Requirements .....	4	Requisitos de ubicación .....	15	Exigences d'emplacement .....	27
Electrical Requirements .....	5	Requisitos eléctricos .....	15	Spécifications électriques .....	27
Water Supply Requirements .....	5	Requisitos del suministro de agua .....	16	Spécifications de l'alimentation en eau .....	28
<b>INSTALLATION INSTRUCTIONS</b> .....	<b>5</b>	<b>INSTRUCCIONES DE INSTALACIÓN</b> .....	<b>16</b>	<b>INSTRUCTIONS D'INSTALLATION</b> .....	<b>28</b>
Unpack the Refrigerator .....	5	Desempaque el refrigerador .....	16	Déballage du réfrigérateur .....	28
Custom Door Panels .....	6	Paneles para puerta a la medida .....	17	Panneaux de porte personnalisés .....	29
Install New Water Line .....	8	Cómo instalar la tubería de agua nueva .....	19	Installation d'une nouvelle canalisation d'eau .....	31
Connect Water Supply .....	9	Conexión del suministro de agua .....	20	Raccordement de la canalisation d'eau .....	32
Plug in Refrigerator .....	10	Cómo enchufar el refrigerador .....	21	Brancher le réfrigérateur .....	33
Prepare the Water System .....	10	Preparación del sistema de agua .....	22	Préparer le système d'eau .....	34
Leveling and Door Closing .....	11	Nivelación y cierre de la puerta .....	22	Nivellement et fermeture de la porte .....	34
Door Alignment .....	11	Alineamiento de la puerta .....	23	Alignement des portes .....	35
Complete Installation .....	11	Complete la instalación .....	23	Achever l'installation .....	35

### Assistance or Service

#### If You Have Questions

If you have questions about operating, cleaning or maintaining your refrigerator, see the Use & Care Guide.

#### If You Need Service

Maintain the quality built into your refrigerator by calling an authorized service company.

To locate an authorized service company, see the Use & Care Guide for the number to call, phone the dealer from whom you purchased the refrigerator, or check the yellow pages of your local phone directory.

**Keep this book and your sales slip together for future reference. You must provide proof of purchase or installation date for in-warranty service.**

Write down the following information about your appliance to help you obtain assistance or service if you ever need it. You will need to know your complete model number and serial number. You can find this information on the model and serial number label, located on the inside wall of the refrigerator compartment.

Dealer name \_\_\_\_\_

Serial number \_\_\_\_\_

Address \_\_\_\_\_

Phone number \_\_\_\_\_

Model number \_\_\_\_\_

Purchase date \_\_\_\_\_

# REFRIGERATOR SAFETY

## Your safety and the safety of others are very important.

We have provided many important safety messages in this manual and on your appliance. Always read and obey all safety messages.



This is the safety alert symbol.

This symbol alerts you to potential hazards that can kill or hurt you and others.

All safety messages will follow the safety alert symbol and either the word "DANGER" or "WARNING."

These words mean:

**DANGER**

You can be killed or seriously injured if you don't **immediately** follow instructions.

**WARNING**

You can be killed or seriously injured if you don't follow instructions.

All safety messages will tell you what the potential hazard is, tell you how to reduce the chance of injury, and tell you what can happen if the instructions are not followed.

## INSTALLATION REQUIREMENTS

### Tools and Parts

#### IMPORTANT:

- Observe all governing codes and ordinances.
- Installer: Leave Installation Instructions with homeowner.
- Homeowner: Keep Installation Instructions for future reference and for the local electrical inspector's use.
- Keep cardboard shipping piece or plywood under refrigerator until it is installed in the operating position.
- Comply with installation specifications and dimensions.
- Remove any moldings or decorative panels from kitchen cabinets that would not allow access to the refrigerator for service.
- Contact a qualified electrical installer.

#### TOOLS NEEDED (on some models):

Gather the required tools and parts before starting installation. Read and follow the instructions provided with any tools listed here.

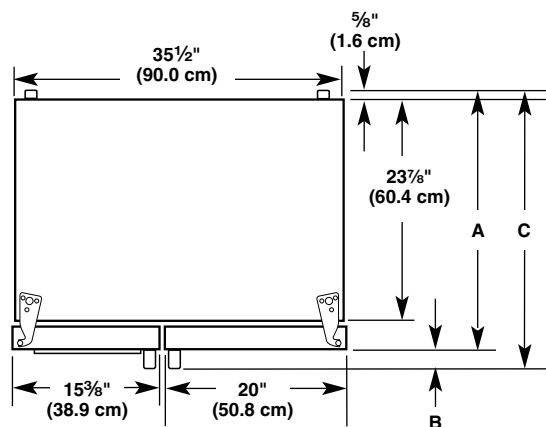
- Cordless drill
- 1/4" Nut driver and drill bit
- Flat-blade screwdriver
- 5/16" or adjustable wrench
- 7/16" and 1/2" Open-end wrenches
- Two adjustable wrenches
- 3/8" and 1/2" Socket wrenches

#### PARTS NEEDED (on some models):

- Your refrigerator dealer has a kit available with a 1/4" (6.35 mm) saddle-type shutoff valve, a union, and copper tubing.
- Or you can purchase a 1/4" (6.35 mm) copper tubing with shutoff valve and a 1/4" (6.35 mm) compression fitting (coupling).
- Depending on water line connections, you may also need a 1/4" (6.35 mm) nut and 1/4" (6.35 mm) ferrule.

### Product Dimensions

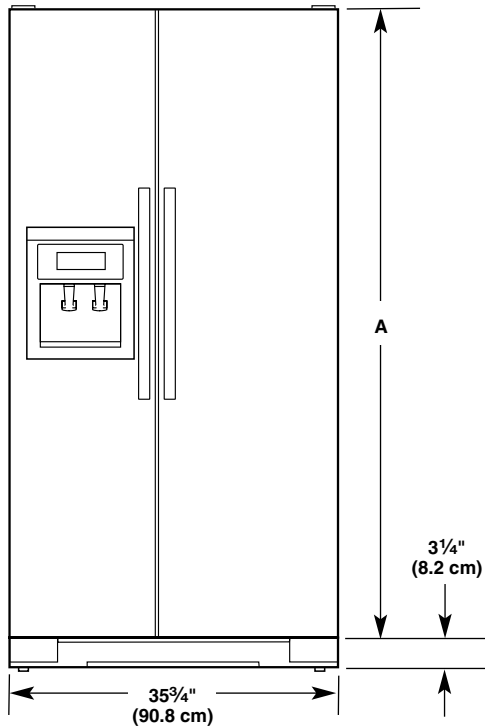
#### Top View



Door Style	Depth A	Depth B	Depth C
Flat	27 1/2" (69.8 cm)	2 5/8" (6.5 cm) maximum*	30" (76.3 cm) maximum*
Curved	28 5/8" (72.5 cm)	2 5/8" (6.5 cm)	31 1/8" (79.1 cm)

\*Dimension may vary based on style of door handle. The depth for the largest available handle is listed.

## Front View



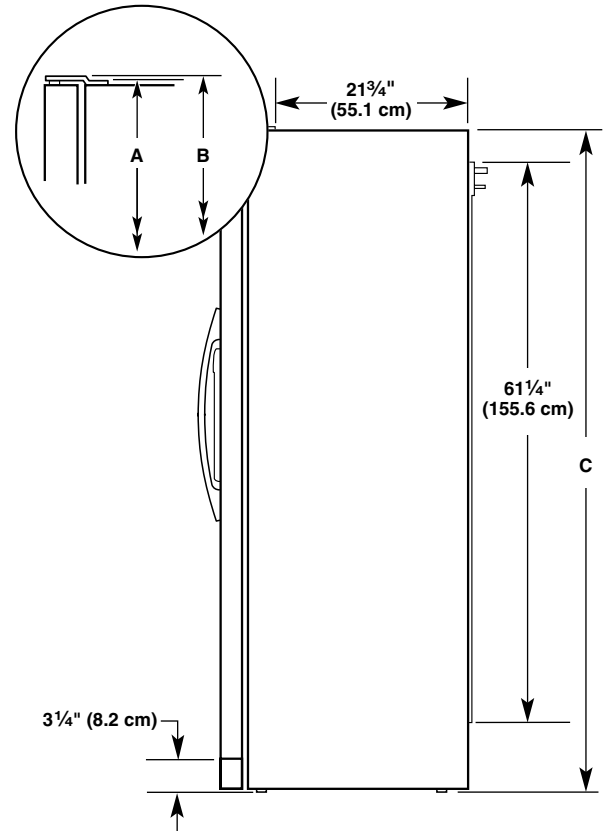
Model Size	Height A
69"	65 3/4" (166.9 cm)
72"	68 1/8" (172.9 cm)

## Side View

- Height dimensions are shown with the leveling legs extended to the minimum height of 1/4" (6.35 mm) below the refrigerator.

**NOTE:** When leveling legs are fully extended to 1" (25 mm) below the refrigerator, add 3/4" (19 mm) to the height dimensions.

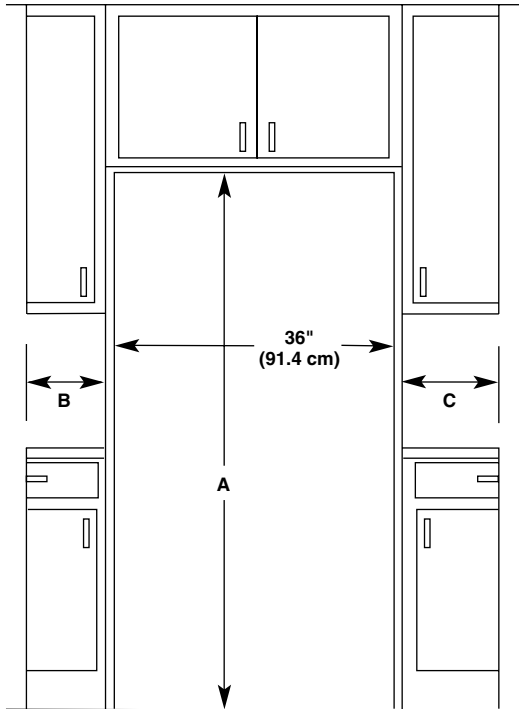
- The power cord is 61 1/4" (155.6 cm) long.
- The water line attached to the back of the refrigerator is 78" (198.1 cm) long.



Model Size	Height A	Height B	Height C
69"	68 7/8" (174.8 cm)	68 7/8" (174.9 cm)	68 1/2" (174.2 cm)
72"	71 1/4" (180.8 cm)	71 1/4" (180.9 cm)	71" (180.2 cm)

## Opening Dimensions

- Height dimensions are shown with the leveling legs extended to the minimum height of  $\frac{1}{4}$ " (6.35 mm) below the refrigerator.
- NOTE:** When leveling legs are fully extended to 1" (25 mm) below the refrigerator, add  $\frac{3}{4}$ " (19 mm) to the height dimensions.
- In the following graphic, "A" represents the opening height required for standard cabinets. For full-overlay cabinet doors with a trim kit, add  $\frac{1}{8}$ " (0.3 cm).
- In the following graphic, "B" represents the distance needed to fully open the freezer door and "C" represents the distance needed to fully open the refrigerator door.

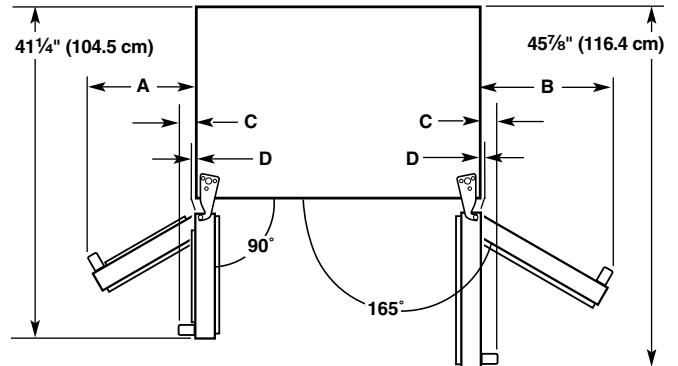


Model Size and Door Style	Height A	Width B	Width C
69" Flat	69" (175.3 cm)	13 $\frac{5}{8}$ " (34.5 cm) maximum*	18 $\frac{1}{8}$ " (46.0 cm) maximum*
72" Flat	72" (182.9 cm)	13 $\frac{5}{8}$ " (34.5 cm) maximum*	18 $\frac{1}{8}$ " (46.0 cm) maximum*
69" Curved	69" (175.3 cm)	13 $\frac{3}{4}$ " (34.9 cm)	18 $\frac{3}{8}$ " (46.4 cm)
72" Curved	72" (182.9 cm)	13 $\frac{3}{4}$ " (34.9 cm)	18 $\frac{3}{8}$ " (46.4 cm)

\*Dimension may vary based on style of door handle. The width for the largest available handle is listed.

## Door Swing Dimensions

- Location must permit doors to open to a minimum of 165°.
- In the following graphic, "A" represents the distance needed to fully open the freezer door and "B" represents the distance needed to fully open the refrigerator door.



Dimension	Flat Doors	Curved Doors
A	13 $\frac{5}{8}$ " (34.5 cm) maximum*	13 $\frac{3}{4}$ " (34.9 cm)
B	18 $\frac{1}{8}$ " (46.0 cm) maximum*	18 $\frac{3}{8}$ " (46.4 cm)
C	2 $\frac{3}{4}$ " (6.7 cm) maximum*	3 $\frac{3}{4}$ " (9.4 cm)
D	$\frac{1}{8}$ " (0.2 cm)	1 $\frac{1}{4}$ " (2.9 cm)

\*Dimension may vary based on style of door handle. The width for the largest available handle is listed.

## Location Requirements

### ⚠ WARNING



#### Explosion Hazard

Keep flammable materials and vapors, such as gasoline, away from refrigerator.

Failure to do so can result in death, explosion, or fire.

#### NOTES:

- The cabinet depth refrigerator can be installed into a recessed opening, at the end of cabinets or as a freestanding refrigerator.
- If you are installing the refrigerator to fit flush with the front of the base cabinets, all shoe molding and baseboards must be removed from the rear of the refrigerator opening. Allow for 1" (2.54 cm) of space behind the refrigerator.
- Location should permit doors to open fully. See the "Door Swing Dimensions" section.
- Do not install the refrigerator near an oven, radiator, or other heat source, nor in a location where the temperature will fall below 55°F (13°C).
- Floor must support refrigerator weight (more than 600 lbs [272 kg], door panels and contents).

## Electrical Requirements

### **⚠ WARNING**



#### Electrical Shock Hazard

**Plug into a grounded 3 prong outlet.**

**Do not remove ground prong.**

**Do not use an adapter.**

**Do not use an extension cord.**

**Failure to follow these instructions can result in death, fire, or electrical shock.**

Before you move your refrigerator into its final location, it is important to make sure you have the proper electrical connection.

#### Recommended Grounding Method

A 115 volt, 60 Hz., AC only 15- or 20-amp fused, grounded electrical supply is required. It is recommended that a separate circuit serving only your refrigerator be provided. Use an outlet that cannot be turned off by a switch. Do not use an extension cord.

**IMPORTANT:** If this product is connected to a GFCI (Ground Fault Circuit Interrupter) protected outlet, nuisance tripping of the power supply may occur, resulting in loss of cooling. Food quality and flavor may be affected. If nuisance tripping has occurred, and if the condition of the food appears poor, dispose of it.

**NOTE:** Before performing any type of installation, cleaning, or removing a light bulb, turn the control (Thermostat, Refrigerator or Freezer Control depending on the model) to OFF and then disconnect the refrigerator from the electrical source. When you are finished, reconnect the refrigerator to the electrical source and reset the control (Thermostat, Refrigerator or Freezer Control depending on the model) to the desired setting.

## Water Supply Requirements

Gather the required tools and parts before starting installation. Read and follow the instructions provided with any tools listed here.

#### TOOLS NEEDED:

- Flat-blade screwdriver
- 1/4" Nut driver
- 7/16" and 1/2" Open-end or two adjustable wrenches
- 1/4" Drill bit
- Cordless drill

**NOTE:** Your refrigerator dealer has a kit available with a 1/4" (6.35 mm) saddle-type shutoff valve, a union, and copper tubing. Before purchasing, make sure a saddle-type valve complies with your local plumbing codes. Do not use a piercing-type or 3/16" (4.76 mm) saddle valve which reduces water flow and clogs more easily.

#### IMPORTANT:

- All installations must meet local plumbing code requirements.
- Use copper tubing and check for leaks. Install copper tubing only in areas where the household temperatures will remain above freezing.

## Water Pressure

A cold water supply with water pressure of between 30 and 120 psi (207 and 827 kPa) is required to operate the water dispenser and ice maker. If you have questions about your water pressure, call a licensed, qualified plumber.

#### Reverse Osmosis Water Supply

**IMPORTANT:** The pressure of the water supply coming out of a reverse osmosis system going to the water inlet valve of the refrigerator needs to be between 30 and 120 psi (207 and 827 kPa).

If a reverse osmosis water filtration system is connected to your cold water supply, the water pressure to the reverse osmosis system needs to be a minimum of 40 to 60 psi (276 to 414 kPa).

If the water pressure to the reverse osmosis system is less than 40 to 60 psi (276 to 414 kPa):

- Check to see whether the sediment filter in the reverse osmosis system is blocked. Replace the filter if necessary.
- Allow the storage tank on the reverse osmosis system to refill after heavy usage.
- If your refrigerator has a water filter, it may further reduce the water pressure when used in conjunction with a reverse osmosis system. Remove the water filter. See "Water Filtration System" in the Use & Care Guide.

If you have questions about your water pressure, call a licensed, qualified plumber.

## INSTALLATION INSTRUCTIONS

### Unpack the Refrigerator

### **⚠ WARNING**

#### Excessive Weight Hazard

**Use two or more people to move and install refrigerator.**

**Failure to do so can result in back or other injury.**

### Remove the Packaging

Dispose of/recycle all packaging materials. Do not use sharp instruments, rubbing alcohol, flammable fluids, or abrasive cleaners to remove tape or glue. These products can damage the surface of your refrigerator.

#### IMPORTANT:

- Use 3/8" socket wrench to remove skids.
- All four leveling legs must contact the floor to support and stabilize the full weight of the refrigerator.

#### When Moving Your Refrigerator:

Your refrigerator is heavy. When moving the refrigerator for cleaning or service, be sure to cover the floor with cardboard or hardboard to avoid floor damage. Always pull the refrigerator straight out when moving it. Do not wiggle or "walk" the refrigerator when trying to move it, as floor damage could occur.

## Clean Before Using

After you remove all of the package materials, clean the inside of your refrigerator before using it. See the cleaning instructions in the Use & Care Guide.

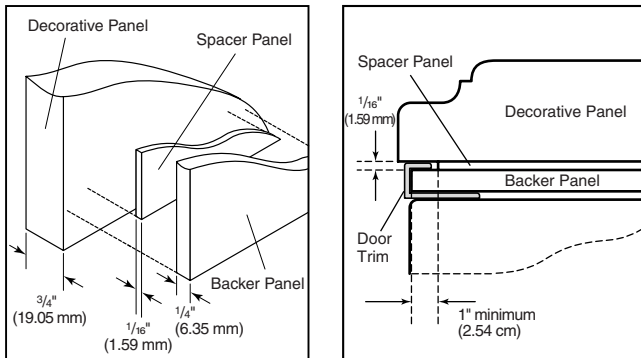
### Important information to know about glass shelves and covers:

Do not clean glass shelves or covers with warm water when they are cold. Shelves and covers may break if exposed to sudden temperature changes or impact, such as bumping. Tempered glass is designed to shatter into many small, pebble-size pieces. This is normal. Glass shelves and covers are heavy. Use both hands when removing them to avoid dropping.

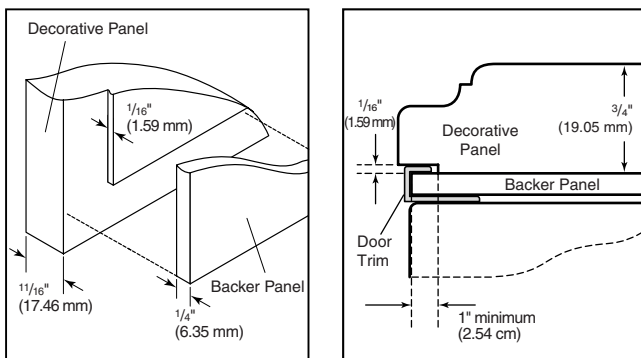
## Custom Door Panels (on some models)

Custom door panels allow you to blend the exterior of your refrigerator into the overall kitchen décor. If you plan to install custom wood panels, you will need to create the panels yourself or consult a qualified cabinetmaker or carpenter. Follow these panel dimension and placement instructions to be sure that the custom panels will fit properly.

The custom panels must have backer panels attached in order to mount them to the refrigerator. It is most common to work with three panels, as shown in the following graphic: a  $\frac{3}{4}$ " (19.05 mm) decorative panel, a  $\frac{1}{16}$ " (1.59 mm) spacer panel or spacer strips, and a  $\frac{1}{4}$ " (6.35 mm) backer panel.



**NOTE:** You can also work with two panels, as shown in the following graphic: a  $\frac{3}{4}$ " (19.05 mm) decorative panel routed with a  $\frac{1}{16}$ " (1.59 mm) cutout, and a separate  $\frac{1}{4}$ " (6.35 mm) backer panel.



## Weight Limits

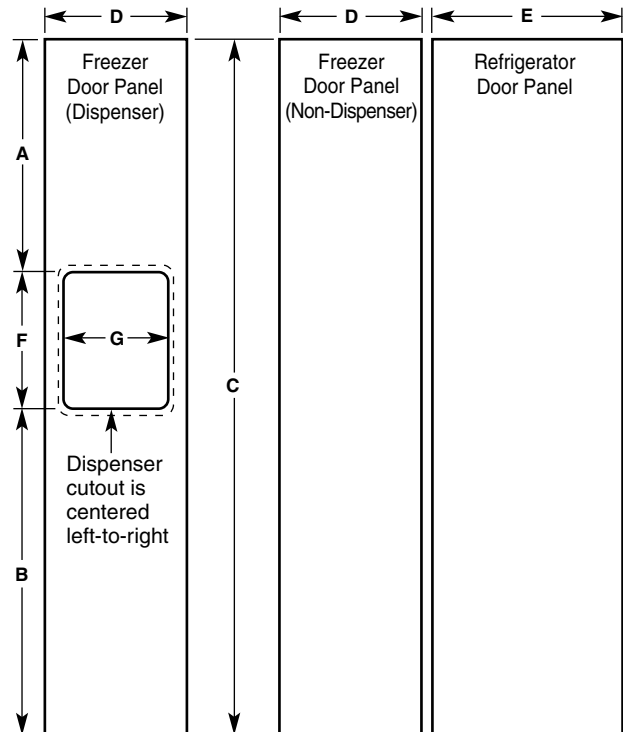
**IMPORTANT:** Panels weighing more than the recommended weight may cause damage to your refrigerator.

- The weight of the freezer door panel(s) cannot exceed 25 lbs (11.3 kg).
- The weight of the refrigerator door panel(s) cannot exceed 41 lbs (18.6 kg).

To minimize panel weight, you may use 2" (5.08 cm) spacer strips around the perimeter in place of solid full-sheet spacer panels. The spacer strips must be set in at least 1" (2.54 cm) from the top, bottom and side edges of the backer panel. If you use spacer strips, it is also recommended that you use two horizontally-centered 2" (5.08 cm) strips for added support.

## Decorative Panel Dimensions

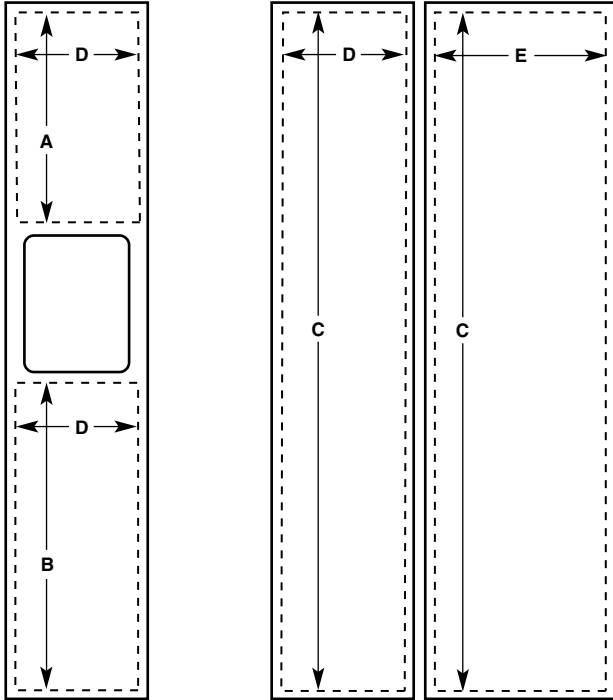
**NOTE:** The dashed line represents the placement of the dispenser frame.



Dimension	Height/Width
A	19 $\frac{3}{8}$ " (49.2 cm)
B	31 $\frac{3}{4}$ " (80.6 cm)
C	68 $\frac{3}{16}$ " (173.2 cm)
D	15 $\frac{5}{8}$ " (39.1 cm)
E	20" (50.8 cm)
F	17 $\frac{1}{16}$ " (43.3 cm)
G	11 $\frac{15}{32}$ " (29.1 cm)

## Backer and Spacer Panel Dimensions

**NOTE:** The dashed lines represent the placement of the backer and spacer panels on the decorative panels. Backer and spacer panels should be centered vertically and horizontally.

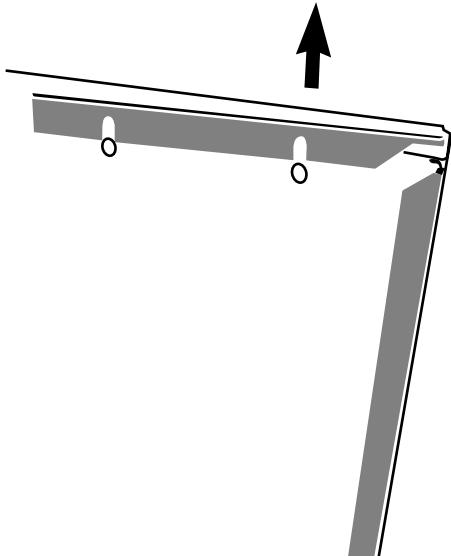


Dimension	Backer Panel	Spacer Panel
A	19" (48.3 cm)	18 <sup>3</sup> / <sub>8</sub> " (46.7 cm)
B	31 <sup>15</sup> / <sub>32</sub> " (79.9 cm)	30 <sup>3</sup> / <sub>4</sub> " (78.1 cm)
C	67 <sup>29</sup> / <sub>32</sub> " (172.5 cm)	66 <sup>9</sup> / <sub>16</sub> " (169.1 cm)
D	14 <sup>7</sup> / <sub>8</sub> " (37.8 cm)	14 <sup>1</sup> / <sub>4</sub> " (36.2 cm)
E	19 <sup>1</sup> / <sub>2</sub> " (49.6 cm)	18 <sup>7</sup> / <sub>8</sub> " (47.9 cm)

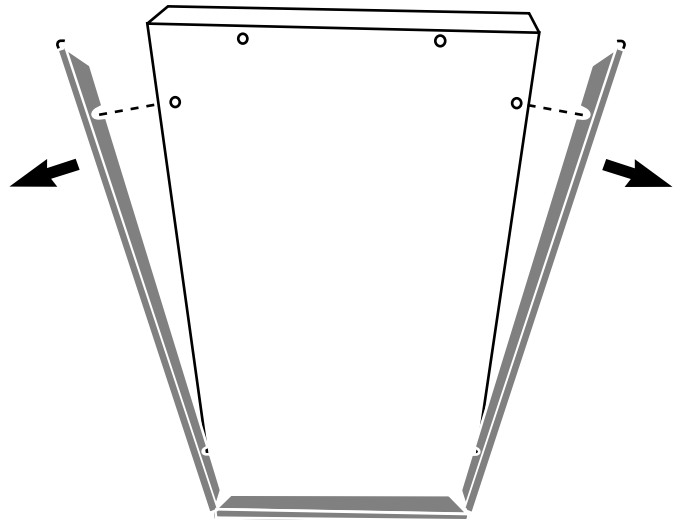
## Install the Door Panels

**NOTE:** In the graphics throughout this section, dark gray represents the door trim and light gray represents the door panel.

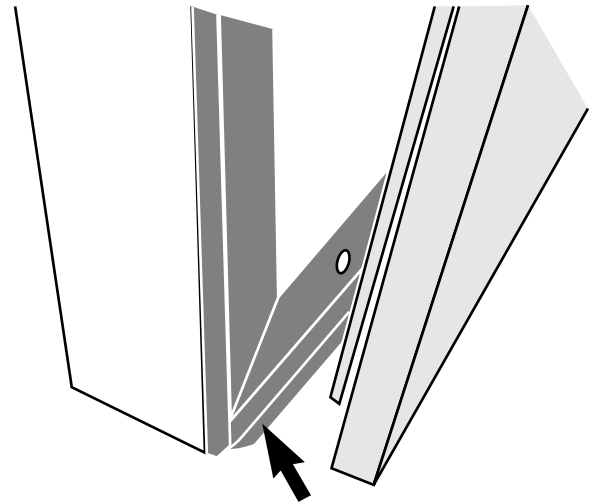
1. Remove the upper trim from the top of the freezer door.



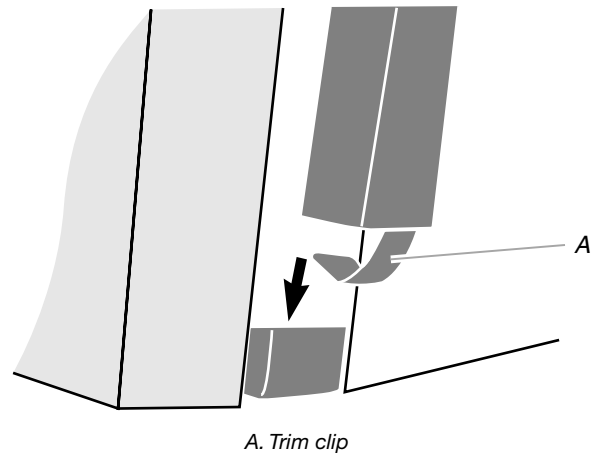
2. Remove the side trim from each side of the freezer door.



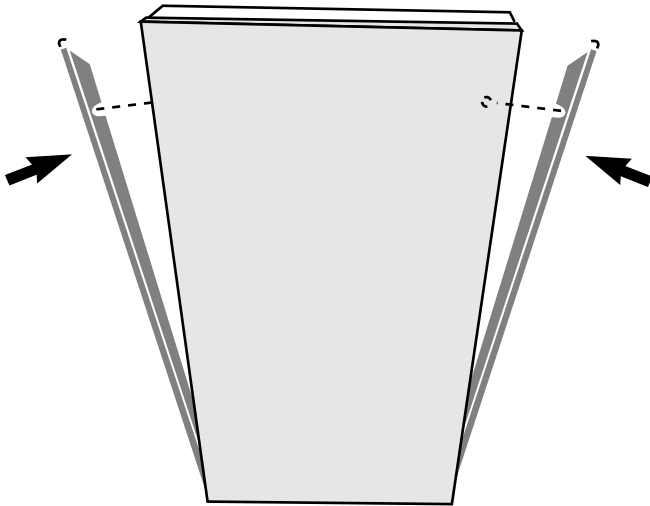
3. Align the bottom edge of the door panel with the lower trim on the bottom of the freezer door. Center the panel on the freezer door.



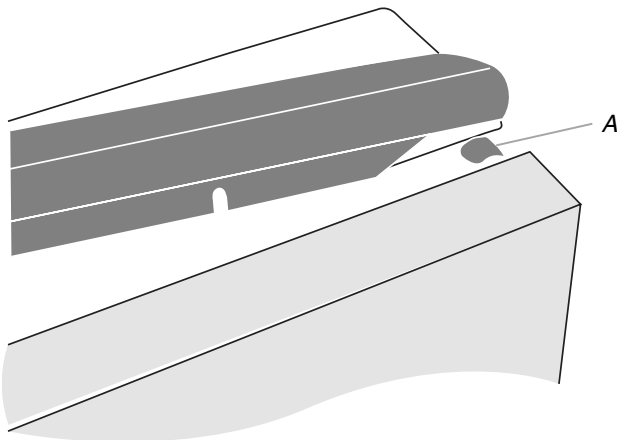
4. Reseat each side trim, making sure the trim clip slides inside the corner of the lower trim.



- With the side trims properly seated in the lower trim, slide each trim into the door panel groove.

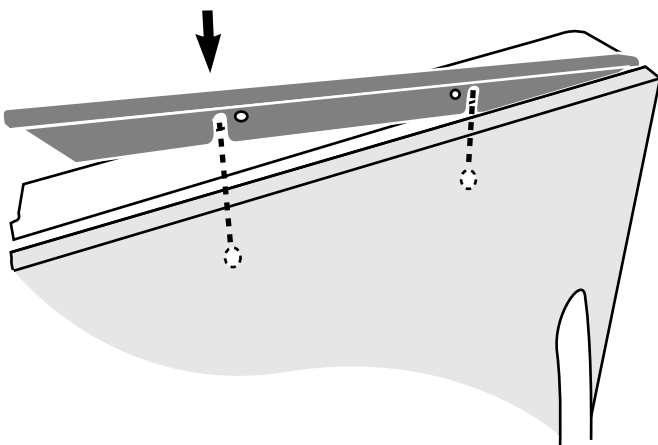


- Align the upper trim with the trim clips at the top of each side trim.

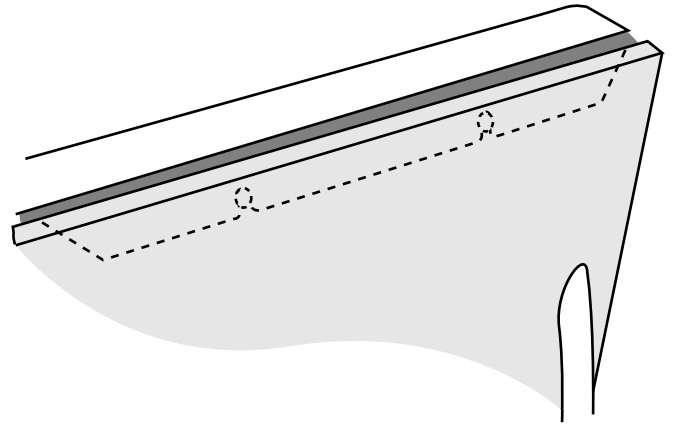


A. Trim clip

- Slide the upper trim into the door panel groove by applying firm downward pressure. Be sure that the grooves on the upper trim are properly aligned with the rivets on the door panel.



- When fully seated, the upper trim should be nearly flush with the top of the freezer door, completely covering both side trim clips.



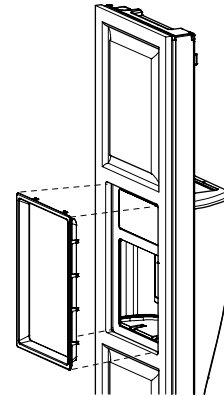
- Repeat the previous steps to install the refrigerator door panel.

---

### Install Dispenser Frame (dispenser models only)

---

After installing the custom door panels, snap the dispenser frame onto the freezer door as shown.




---

### Install New Water Line (if required)

#### TOOLS NEEDED:

- Flat-blade screwdriver
- 1/4" Drill bit
- 7/16" and 1/2" Open-end or two adjustable wrenches
- Cordless drill

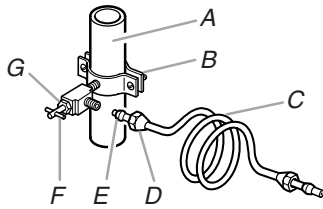
- Turn OFF main water supply. Turn ON nearest faucet long enough to clear line of water.
- Find a 1/2" (12.70 mm) to 1 1/4" (3.18 cm) vertical cold water pipe near the refrigerator.
 

**NOTE:** Horizontal pipe will work, but the following procedure must be followed:

  - Drill on the top side of the pipe, not the bottom. This will help keep water away from the drill. This also keeps normal sediment from collecting in the valve.
- Determine the length of copper tubing you need. Measure from the connection on the lower left rear of refrigerator to the water pipe. Add 7 ft (2.1 m) to allow for cleaning. Use 1/4" (6.35 mm) O.D. (outside diameter) copper tubing. Be sure both ends of copper tubing are cut square.



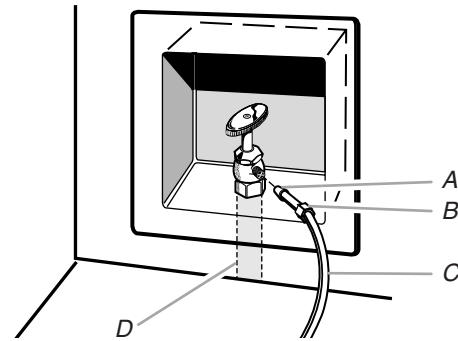
- Using a cordless drill, drill a 1/4" (6.35 mm) hole in the cold water pipe you have selected.



- A. Cold water pipe
- B. Pipe clamp
- C. Copper tubing
- D. Compression nut
- E. Compression sleeve
- F. Shutoff valve
- G. Packing nut

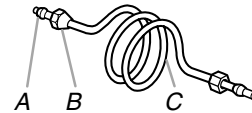
- Fasten shutoff valve to cold water pipe with pipe clamp. Be sure outlet end is solidly in the 1/4" (6.35 mm) drilled hole in the water pipe and that washer is under the pipe clamp. Tighten packing nut. Tighten the pipe clamp screws slowly and evenly so washer makes a watertight seal. Do not overtighten or you may crush the copper tubing, especially if soft (coiled) copper tubing is used. Now you are ready to connect the copper tubing.
- Slip compression sleeve and compression nut on copper tubing as shown in the diagram. Insert the end of the tubing into the outlet end of the shutoff valve as far as it will go. Screw the compression nut onto the outlet end with an adjustable wrench. Do not overtighten.
- Place the free end of the tubing into a container or sink, turn ON main water supply and flush out tubing until water is clear. Turn OFF the shutoff valve on the water pipe.

**NOTE:** To allow sufficient water flow to the refrigerator, a minimum 1/2" size copper household supply line is recommended.



- A. Bulb
- B. Nut
- C. Copper tubing (to refrigerator)
- D. Household supply line (1/2" minimum)

- Now you are ready to connect the copper tubing to the shutoff valve. Use 1/4" (6.35 mm) OD soft copper tubing to connect the shutoff valve and the refrigerator.
  - Ensure that you have the proper length needed for the job. Be sure both ends of the copper tubing are cut square.
  - Slip compression sleeve and compression nut onto copper tubing as shown. Insert end of tubing into outlet end squarely as far as it will go. Screw compression nut onto outlet end with adjustable wrench. Do not overtighten.



- A. Compression sleeve
- B. Compression nut
- C. Copper tubing

- Place the free end of the tubing into a container or sink, and turn on main water supply to flush out tubing until water is clear. Turn off shutoff valve on the water pipe.
 

**NOTE:** Always drain the water line before making the final connection to the inlet of the water valve, to avoid possible water valve malfunction.
- Bend the copper tubing to meet the water line inlet, which is located on the back of the refrigerator cabinet as shown. Leave a coil of copper tubing to allow the refrigerator to be pulled out of the cabinet or away from the wall for service.

## Connect Water Supply

Read all directions before you begin.

### IMPORTANT:

- Plumbing shall be installed in accordance with the International Plumbing Code and any local codes and ordinances.
- Use copper tubing or Whirlpool supply line, Part Number 8212547RP, and check for leaks.
- Install tubing only in areas where temperatures will remain above freezing.

### TOOLS NEEDED:

Gather the required tools and parts before starting installation.

- Flat-blade screwdriver
- 7/16" and 1/2" open-end wrenches or two adjustable wrenches
- 1/4" nut driver

### Connect to Water Line

**IMPORTANT:** If you turn the refrigerator on before the water line is connected, turn the ice maker OFF.

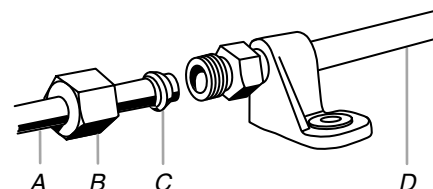
- Unplug refrigerator or disconnect power.
- Turn OFF main water supply. Turn ON nearest faucet long enough to clear line of water.
- Use a quarter-turn shutoff valve or the equivalent, served by a 1/2" copper household supply line.

### Connect to Refrigerator

#### Style 1

- Unplug refrigerator or disconnect power.
- Remove and discard the short, black plastic part from the end of the water line inlet.
- Thread the nut onto the end of the tubing. Tighten the nut by hand. Then tighten it with a wrench two more turns. Do not overtighten.

**NOTE:** To avoid rattling, be sure the copper tubing does not touch the cabinet's side wall or other parts inside the cabinet.

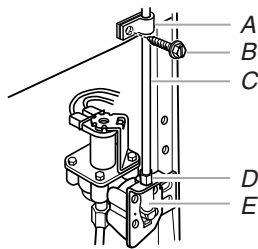


- A. Line to refrigerator
- B. Nut (purchased)
- C. Ferrule (purchased)
- D. Supplied line from refrigerator

4. Install the water supply tube clamp around the water supply line to reduce strain on the coupling.
5. Turn shutoff valve ON.
6. Check for leaks. Tighten any connections (including connections at the valve) or nuts that leak.

### Style 2

1. Unplug refrigerator or disconnect power.
2. Remove and discard the plastic part that is attached to the inlet of the water valve.
3. Attach the copper tube to the valve inlet using a compression nut and sleeve as shown. Tighten the compression nut. Do not overtighten.
4. Use the tube clamp on the back of the refrigerator to secure the tubing to the refrigerator as shown. This will help avoid damage to the tubing when the refrigerator is pushed back against the wall.
5. Turn shutoff valve ON.
6. Check for leaks. Tighten any connections (including connections at the valve) or nuts that leak.



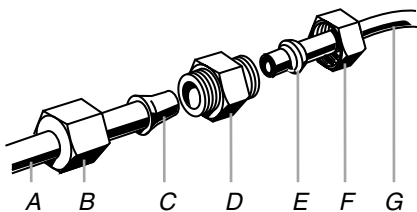
A. Tube clamp  
B. Tube clamp screw  
C. Copper tubing  
D. Compression nut  
E. Valve inlet

7. On some models, the ice maker is equipped with a built-in water strainer. If your water conditions require a second water strainer, install it in the 1/4" (6.35 mm) water line at either tube connection. Obtain a water strainer from your nearest appliance dealer.

### Style 3

1. Unplug refrigerator or disconnect power.
2. Remove and discard the black nylon plug from the gray water tube on the rear of the refrigerator.
3. If the gray water tube supplied with the refrigerator is not long enough, a 1/4" x 1/4" (6.35 mm x 6.35 mm) coupling is needed in order to connect the water tubing to an existing household water line. Thread the provided nut onto the coupling on the end of the copper tubing.

**NOTE:** Tighten the nut by hand. Then tighten it with a wrench two more turns. Do not overtighten.



A. Refrigerator water tubing  
B. Nut (provided)  
C. Bulb  
D. Coupling (purchased)  
E. Ferrule (purchased)  
F. Nut (purchased)  
G. Household water line

4. Turn shutoff valve ON.
5. Check for leaks. Tighten any nuts or connections (including connections at the valve) that leak.

## Plug in Refrigerator

### ⚠ WARNING



#### Electrical Shock Hazard

**Plug into a grounded 3 prong outlet.**

**Do not remove ground prong.**

**Do not use an adapter.**

**Do not use an extension cord.**

**Failure to follow these instructions can result in death, fire, or electrical shock.**

1. Plug into a grounded 3 prong outlet.

## Prepare the Water System

Please read before using the water system.

Immediately after installation, follow the steps below to make sure that the water system is properly cleaned.

1. Open the freezer door and turn off the ice maker. The On/Off switch can only be accessed when the ice storage bin has been removed. The switch is located on the freezer door, on the left side of the wall that surrounds the ice storage bin. Move the switch to the OFF (right) setting.
2. Make sure the water filter is properly installed.

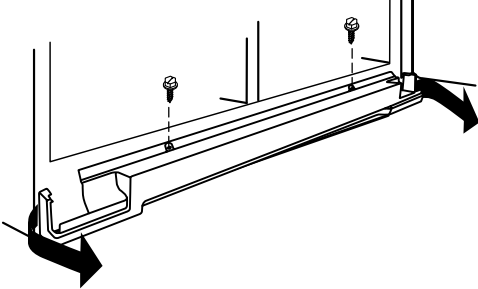
Do not use with water that is microbiologically unsafe or of unknown quality without adequate disinfection before or after the system. Systems certified for cyst reduction may be used on disinfected waters that may contain filterable cysts.

3. Flush the water system. Use a sturdy container to depress and hold the water dispenser lever for 5 seconds, then release it for 5 seconds. Repeat until water begins to flow. Once water begins to flow, continue depressing and releasing the dispenser lever (5 seconds on, 5 seconds off) until a total of 3 gal. (12 L) has been dispensed. This will flush air from the filter and water dispensing system, and prepare the water filter for use. Additional flushing may be required in some households. As air is cleared from the system, water may spurt out of the dispenser.
4. Open the freezer door and turn on the ice maker. Move the switch to the ON (left) position. See the Use & Care Guide for further instructions on the operation of your ice maker.
  - Allow 24 hours to produce the first batch of ice.
  - Discard the first three batches of ice produced.
  - Depending on your model, you may want to select the maximum ice feature to increase the production of ice.

## Leveling and Door Closing

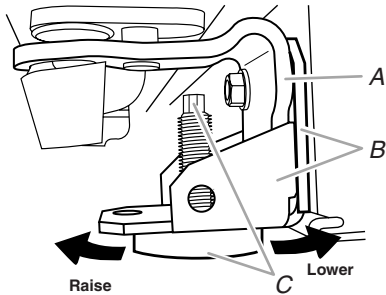
Your refrigerator has two adjustable front feet — one on the right and one on the left. In most cases, the refrigerator should be steady when both feet are touching the floor. If your refrigerator seems unsteady or if you want the doors to close more easily, adjust the refrigerator's tilt using the instructions below:

1. Move the refrigerator into its final location. Open both doors to 90°. Remove the base grille by removing the two screws, then pulling out on the outside corners.



**NOTE:** The doors must only be opened to 90°. If they are opened all the way, the base grille will not come off.

2. The two leveling feet are located on the brackets on each side of the product.



A. Bottom hinge  
B. Leveler bracket  
C. Leveling foot

**NOTE:** Having someone push against the top of the refrigerator takes some weight off the leveling feet. This makes it easier to make adjustments.

3. Use a ¼" open-ended or adjustable wrench to adjust the leveling feet. Turn the leveling foot to the left to raise that side of the product, or turn it to the right to lower that side of the product.
4. Open both doors again and check that they close as easily as you like. If not, tilt the refrigerator slightly more to the rear by turning the leveling feet to the left. It may take several more turns, and you should turn both leveling feet the same amount.

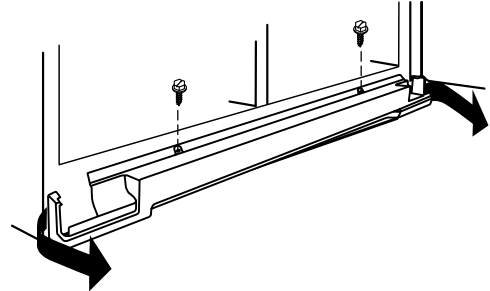
**NOTE:** Whenever you need to move the refrigerator, turn the leveling feet to the right until they are no longer touching the ground. This will allow the refrigerator to roll more easily.

## Door Alignment

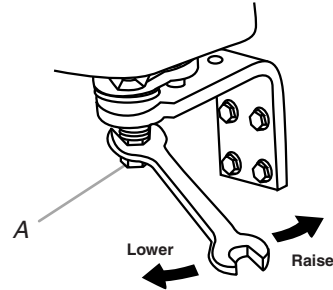
A refrigerator that is not level from side-to-side may appear to have doors that are not properly aligned. If the doors appear this way, use the instructions in the previous section to check the leveling.

The doors are designed to be slightly different heights when the refrigerator is empty, in order to account for the weight of food that will be placed on the doors. If the doors are still not aligned after checking the leveling and loading the refrigerator with food, follow the steps below to adjust the door alignment.

1. If necessary, open both doors to 90° and remove the base grille.



2. Locate the alignment screw on the bottom hinge of the refrigerator door.



A. Alignment screw

3. Use a 5/16" open-ended or adjustable wrench to turn the screw. To raise the refrigerator door, turn the screw to the right. To lower the door, turn the screw to the left.
4. Check that the doors are even at the top. If necessary, continue to turn the alignment screw until the doors are aligned.
5. Open both doors to 90°. Replace the base grille.

## Complete Installation

1. Turn water supply line valve to "Open" position.
2. Turn refrigerator switch to ON position. Wait a few minutes. Check water line connections for leaks.
3. Set refrigerator and freezer compartment controls to the midpoint setting. Check that the compressor is operating properly and that all lights are working.
4. Flush water system before using. See "Prepare the Water System."

**NOTE:** If construction will continue after refrigerator has been installed, set controls to OFF.

### If Refrigerator Does Not Operate

- Check that the circuit breaker is not tripped or household fuse blown.
- Check that the power supply cord is plugged into a grounded 3 prong outlet.
- See "Troubleshooting" in the Use & Care Guide.

# INSTRUCCIONES DE INSTALACIÓN

## Ayuda o servicio técnico

### Si tiene preguntas

Si usted tiene preguntas acerca del funcionamiento, la limpieza o el mantenimiento de su refrigerador, vea el Manual de uso y cuidado.

### Si necesita servicio

Para mantener la calidad de su refrigerador, llame a una compañía de servicio autorizada.

Para ubicar una compañía de servicio autorizada, vea el Manual de uso y cuidado para saber a qué número tiene que llamar, llame al distribuidor en donde compró el refrigerador o fíjese en las páginas amarillas de su guía telefónica local.

Guarde este libro y su comprobante de compra juntos para referencia futura. Usted deberá proporcionar evidencia de la compra o una fecha de instalación para obtener servicio bajo la garantía.

Escriba la siguiente información acerca de su electrodoméstico para ayudarle a obtener asistencia o servicio técnico si alguna vez llegara a necesitarlo. Deberá tener a mano el número completo del modelo y de la serie. Puede encontrar esta información en la etiqueta con el número de modelo y de serie que está ubicada en la pared interior del compartimiento del refrigerador.

Nombre del distribuidor \_\_\_\_\_

Número de serie \_\_\_\_\_

Dirección \_\_\_\_\_

Número de teléfono \_\_\_\_\_

Número del modelo \_\_\_\_\_

Fecha de compra \_\_\_\_\_

## SEGURIDAD DEL REFRIGERADOR

### Su seguridad y la seguridad de los demás es muy importante.

Hemos incluido muchos mensajes importantes de seguridad en este manual y en su electrodoméstico. Lea y obedezca siempre todos los mensajes de seguridad.



Este es el símbolo de advertencia de seguridad.

Este símbolo le llama la atención sobre peligros potenciales que pueden ocasionar la muerte o una lesión a usted y a los demás.

Todos los mensajes de seguridad irán a continuación del símbolo de advertencia de seguridad y de la palabra "PELIGRO" o "ADVERTENCIA". Estas palabras significan:

 **PELIGRO**

**Si no sigue las instrucciones de inmediato, usted puede morir o sufrir una lesión grave.**

 **ADVERTENCIA**

**Si no sigue las instrucciones, usted puede morir o sufrir una lesión grave.**

Todos los mensajes de seguridad le dirán el peligro potencial, le dirán cómo reducir las posibilidades de sufrir una lesión y lo que puede suceder si no se siguen las instrucciones.

## REQUISITOS DE INSTALACIÓN

### Piezas y herramientas

#### IMPORTANTE:

- Observe todos los códigos y reglamentos aplicables.
- Instalador: Deje las instrucciones de instalación con el propietario.
- Propietario: Guarde las instrucciones de instalación para referencia futura y para que puedan ser usadas por el inspector eléctrico local.

- Mantenga un tramo de cartón de empaque o de madera contrachapada debajo del refrigerador hasta que lo instale en su ubicación final.
- Cumpla con las especificaciones y medidas de instalación.
- Saque todas las molduras o paneles decorativos de los armarios de la cocina que impidan el acceso al refrigerador para darle servicio.
- Contacte a un instalador electricista calificado.

### HERRAMIENTAS NECESARIAS (en algunos modelos):

Reúna las herramientas y piezas necesarias antes de comenzar la instalación. Lea y siga las instrucciones provistas con cualquiera de las herramientas enlistadas aquí.

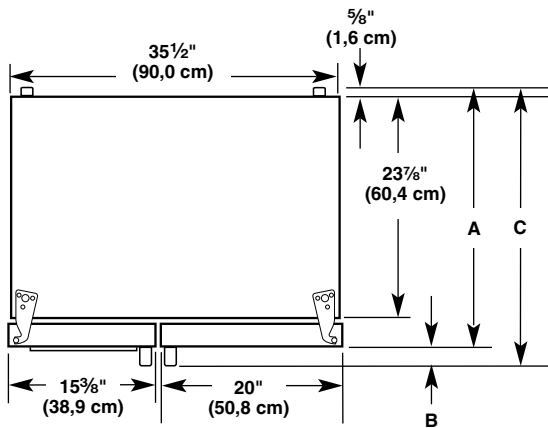
- Taladro inalámbrico
- Llave de  $\frac{5}{16}$ " o llave ajustable
- Llave para tuercas de  $\frac{1}{4}$ " y broca
- Llaves de boca de  $\frac{7}{16}$ " y  $\frac{1}{2}$ "
- Destornillador de hoja plana
- Dos llaves ajustables
- Llaves de cubo de  $\frac{3}{8}$ " y  $\frac{1}{2}$ "

### PIEZAS NECESARIAS (en algunos modelos):

- El distribuidor de su refrigerador tiene un juego disponible de válvula de cierre tipo montura de  $\frac{1}{4}$ " (6,35 mm), una unión y tubería de cobre.
- O usted puede comprar una tubería de cobre de  $\frac{1}{4}$ " (6,35 mm) con válvula de cierre y un accesorio de compresión (acoplamiento) de  $\frac{1}{4}$ " (6,35 mm).
- Dependiendo de las conexiones de la línea de agua, usted también puede necesitar una tuerca de  $\frac{1}{4}$ " (6,35 mm) y una férula de  $\frac{1}{4}$ " (6,35 mm).

## Medidas del producto

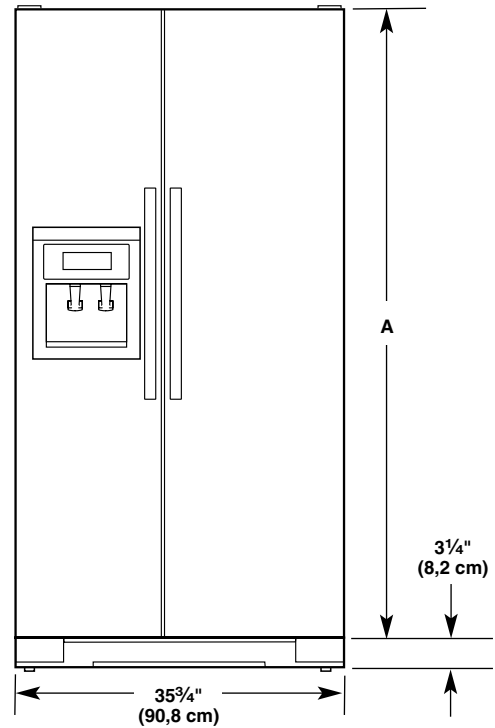
### Vista superior



Estilo de puerta	Profundidad A	Profundidad B	Profundidad C
Plana	27 1/2" (69,8 cm)	2 5/8" (6,5 cm) máxima*	30" (76,3 cm) máxima*
Curva	28 5/8" (72,5 cm)	2 5/8" (6,5 cm)	31 1/8" (79,1 cm)

\*Las dimensiones pueden variar según el estilo de la manija de la puerta. Se indica la profundidad para la manija más grande que hay disponible.

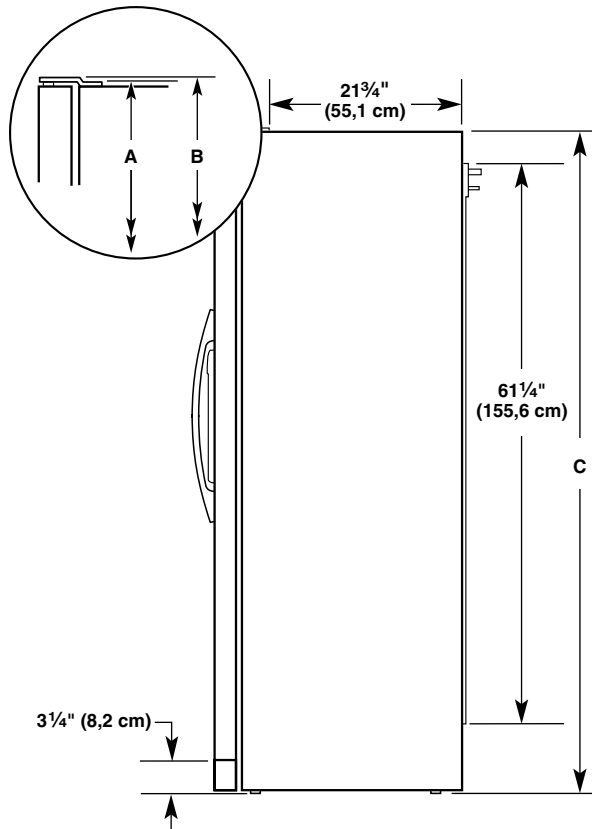
### Vista frontal



Tamaño del modelo	Altura A
69"	65 3/4" (166,9 cm)
72"	68 1/8" (172,9 cm)

## Vista lateral

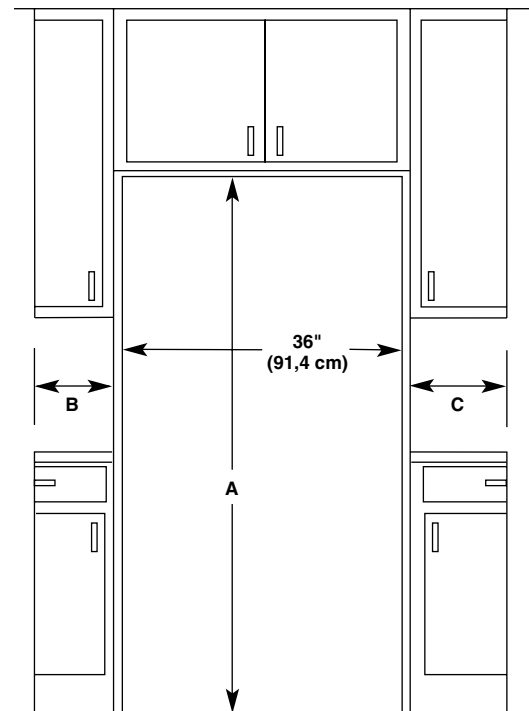
- Las medidas de altura indicadas consideran las patas niveladoras extendidas como mínimo  $\frac{1}{4}$ " (6,35 mm) por debajo del refrigerador.
- NOTA:** Si las patas niveladoras están totalmente extendidas 1" (25 mm) por debajo del refrigerador, agregue  $\frac{3}{4}$ " (19 mm) a las medidas de altura.
- El cable de suministro de energía es de  $61\frac{1}{4}$ " (155,6 cm) de largo.
- La línea de agua ajustada a la parte posterior del refrigerador es de 78" (198,1 cm) de largo.



Tamaño del modelo	Altura A	Altura B	Altura C
69"	68 $\frac{7}{8}$ " (174,8 cm)	68 $\frac{7}{8}$ " (174,9 cm)	68 $\frac{1}{2}$ " (174,2 cm)
72"	71 $\frac{1}{4}$ " (180,8 cm)	71 $\frac{1}{4}$ " (180,9 cm)	71" (180,2 cm)

## Medidas de abertura

- Las medidas de altura indicadas consideran las patas niveladoras extendidas como mínimo  $\frac{1}{4}$ " (6,35 mm) por debajo del refrigerador.
- NOTA:** Si las patas niveladoras están totalmente extendidas 1" (25 mm) por debajo del refrigerador, agregue  $\frac{3}{4}$ " (19 mm) a las medidas de altura.
- En la ilustración a continuación, "A" representa la altura de abertura necesaria para los armarios estándar. Para las puertas de armarios completamente recubiertos con juego de molduras, agregue  $\frac{1}{8}$ " (0,3 cm).
- En la ilustración a continuación, "B" representa la distancia necesaria para abrir por completo la puerta del congelador y "C" representa la distancia necesaria para abrir por completo la puerta del refrigerador.

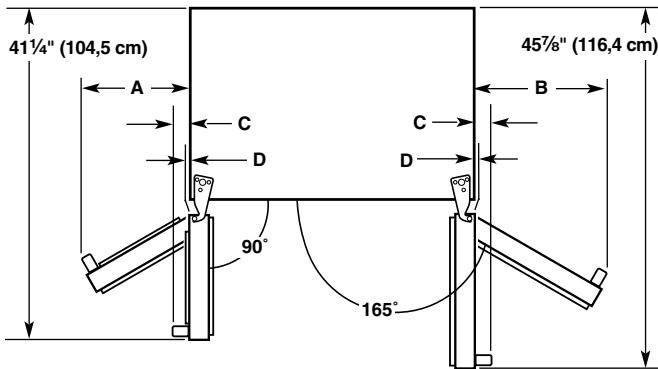


Tamaño del modelo y estilo de puerta	Altura A	Ancho B	Ancho C
69" Plana	69" (175,3 cm)	13 $\frac{5}{8}$ " (34,5 cm) máximo*	18 $\frac{1}{8}$ " (46,0 cm) máximo*
72" Plana	72" (182,9 cm)	13 $\frac{5}{8}$ " (34,5 cm) máximo*	18 $\frac{1}{8}$ " (46,0 cm) máximo*
69" Curva	69" (175,3 cm)	13 $\frac{3}{4}$ " (34,9 cm)	18 $\frac{3}{8}$ " (46,4 cm)
72" Curva	72" (182,9 cm)	13 $\frac{3}{4}$ " (34,9 cm)	18 $\frac{3}{8}$ " (46,4 cm)

\*Las dimensiones pueden variar según el estilo de la manija de la puerta. Se indica el ancho para la manija más grande que hay disponible.

## Medidas de oscilación de las puertas

- La ubicación debe permitir que las puertas se abran a un mínimo de 165°.
- En la ilustración a continuación, "A" representa la distancia necesaria para abrir por completo la puerta del congelador y "B" representa la distancia necesaria para abrir por completo la puerta del refrigerador.



Dimensión	Puertas planas	Puertas curvas
A	13 <sup>5</sup> / <sub>8</sub> " (34,5 cm) máximo*	13 <sup>3</sup> / <sub>4</sub> " (34,9 cm)
B	18 <sup>1</sup> / <sub>8</sub> " (46,0 cm) máximo*	18 <sup>3</sup> / <sub>8</sub> " (46,4 cm)
C	2 <sup>3</sup> / <sub>4</sub> " (6,7 cm) máximo*	3 <sup>3</sup> / <sub>4</sub> " (9,4 cm)
D	1 <sup>1</sup> / <sub>8</sub> " (0,2 cm)	1 <sup>1</sup> / <sub>4</sub> " (2,9 cm)

\*Las dimensiones pueden variar según el estilo de la manija de la puerta. Se indica el ancho para la manija más grande que hay disponible.

## Requisitos de ubicación

### ⚠ ADVERTENCIA



#### Peligro de Explosión

**Mantenga los materiales y vapores inflamables, tales como gasolina, alejados del refrigerador.**

**No seguir esta instrucción puede ocasionar la muerte, explosión, o incendio.**

#### NOTAS:

- El refrigerador con profundidad de armario puede instalarse empotrado, al final de los armarios o por separado.
- Si va a instalar el refrigerador para estar alineado con el frente de los armarios de base, se deben quitar todas las molduras y los zócalos de la parte posterior de la abertura del refrigerador. Deje un espacio de 1" (2,54 cm) detrás del refrigerador.

- La ubicación deberá permitir que las puertas se abran completamente. Vea la sección "Medidas de oscilación de las puertas".
- No instale el refrigerador cerca de un horno, radiador u otra fuente de calor ni en una ubicación en la que la temperatura puede bajar de los 55°F (13°C).
- El piso debe soportar el peso del refrigerador (más de 600 lbs [272 kg], los paneles de las puertas y el contenido).

## Requisitos eléctricos

### ⚠ ADVERTENCIA



#### Peligro de Choque Eléctrico

**Conecte a un contacto de pared de conexión a tierra de 3 terminales.**

**No quite la terminal de conexión a tierra.**

**No use un adaptador.**

**No use un cable eléctrico de extensión.**

**No seguir estas instrucciones puede ocasionar la muerte, incendio o choque eléctrico.**

Antes de mover el refrigerador a su posición definitiva, es importante asegurarse que Ud. tiene la conexión eléctrica adecuada.

#### Método de conexión a tierra recomendado

Se requiere una fuente de energía eléctrica de 115 Voltios, 60 Hz., CA solamente y con fusibles de 15 ó 20 amperios, conectada a tierra. Se recomienda que se use un circuito separado sólo para su refrigerador. Use un tomacorriente que no se puede apagar con un interruptor. No use un cable eléctrico de extensión.

**IMPORTANTE:** Si este producto está conectado a un tomacorriente protegido por GFCI (Ground Fault Circuit Interrupter - Interruptor de circuito de falla eléctrica de puesta a tierra), puede ocurrir un disparo molesto del suministro de corriente, lo que resultará en la pérdida de refrigeración. Esto puede afectar la calidad y el sabor de los alimentos. Si ha ocurrido un disparo molesto, y el alimento aparenta estar en malas condiciones, deshágase del mismo.

**NOTA:** Antes de realizar cualquier tipo de instalación, limpieza o de quitar un foco de luz, ponga el control (del termostato, del refrigerador o del congelador dependiendo del modelo) en la posición OFF (Apagado) y luego desconecte el refrigerador de la fuente de energía. Cuando Ud. haya terminado, reconecte el refrigerador a la fuente de energía eléctrica y vuelva a poner el control (del termostato, del refrigerador o del congelador dependiendo del modelo) en la posición deseada.

## Requisitos del suministro de agua

Reúna las herramientas y piezas necesarias antes de comenzar la instalación. Lea y siga las instrucciones provistas con cualquiera de las herramientas enlistadas aquí.

### HERRAMIENTAS NECESARIAS:

- Destornillador de hoja plana
- Llave para tuercas de 1/4"
- Llaves de boca de 7/16" y 1/2"  
o dos llaves ajustables
- Broca de 1/4"
- Taladro inalámbrico

**NOTA:** El distribuidor de su refrigerador tiene un juego disponible con una válvula de cierre tipo montura de 1/4" (6,35 mm), una unión y tubería de cobre. Antes de comprar, asegúrese que la válvula tipo montura cumpla con los códigos de plomería de su localidad. No use una válvula perforadora o una válvula de montura de 3/16" (4,76 mm) que reduce el flujo de agua y se obstruye con más facilidad.

### IMPORTANTE:

- Todas las instalaciones deben hacerse de acuerdo a los requerimientos locales de plomería.
- Use tuberías de cobre y revise si hay fugas. Instale tubería de cobre sólo en áreas donde la temperatura va a permanecer por encima del punto de congelación.

## Presión del agua

Se necesita un suministro de agua fría con presión de agua entre 30 y 120 lbs/pulg<sup>2</sup> (207 y 827 kPa) para hacer funcionar el despachador de agua y la fábrica de hielo. Si usted tiene preguntas acerca de la presión de agua, llame a un plomero competente autorizado.

### Suministro de agua de ósmosis inversa

**IMPORTANTE:** La presión del suministro de agua que sale de un sistema de ósmosis inversa y va a la válvula de entrada de agua del refrigerador necesitará ser entre 30 y 120 lbs/pulg<sup>2</sup> (207 y 827 kPa).

Si se conecta un sistema de filtración de agua de ósmosis inversa al suministro de agua fría, la presión de agua al sistema de ósmosis inversa necesitará ser de un mínimo de 40 a 60 lbs/pulg<sup>2</sup> (276 a 414 kPa).

Si la presión del agua del sistema de ósmosis inversa es menor de 40 a 60 lbs/pulg<sup>2</sup> (276 a 414 kPa):

- Fíjese si el filtro de sedimentos en el sistema de ósmosis inversa está bloqueado y reemplácelo si fuera necesario.
- Deje que se vuelva a llenar el tanque de almacenaje del sistema de ósmosis inversa después del uso intenso.
- Si su refrigerador tiene un cartucho del filtro de agua, se podrá reducir la presión aún más si se usa en conjunto con un sistema de ósmosis inversa. Quite el cartucho del filtro de agua. Vea "Sistema de filtración de agua" en el Manual de uso y cuidado.

Si tiene preguntas acerca de la presión del agua, llame a un plomero competente autorizado.

# INSTRUCCIONES DE INSTALACIÓN

## Desempaque el refrigerador

### ADVERTENCIA

#### Peligro de Peso Excesivo

Use dos o más personas para mover e instalar el refrigerador.

No seguir esta instrucción puede ocasionar una lesión en la espalda u otro tipo de lesiones.

## Cómo quitar los materiales de empaque

Deshágase de todos los materiales de embalaje o recíclelos. No use instrumentos filosos, alcohol para fricciones, líquidos inflamables o productos de limpieza abrasivos para eliminar los restos de cinta o goma. Estos productos pueden dañar la superficie de su refrigerador.

### IMPORTANTE:

- Use una llave de cubo de 3/8" para quitar la plataforma.
- Las cuatro patas niveladoras deberán tocar el piso para soportar y estabilizar el peso total del refrigerador.

### Cómo mover su refrigerador:

Su refrigerador es pesado. Cuando mueva el refrigerador para limpiarlo o para darle servicio, cerciórese de cubrir el piso con cartón o madera para evitar daños en el mismo. Al mover el refrigerador, siempre tire directamente hacia afuera. No menee el refrigerador de lado a lado ni lo haga "caminar" cuando lo trate de mover ya que podría dañar el piso.

## Cómo limpiar su refrigerador antes de usarlo

Una vez que usted haya quitado todos los materiales de empaque, limpie el interior de su refrigerador antes de usarlo. Vea las instrucciones de limpieza en el Manual de uso y cuidado.

### Información importante para saber acerca de los estantes y tapas de vidrio:

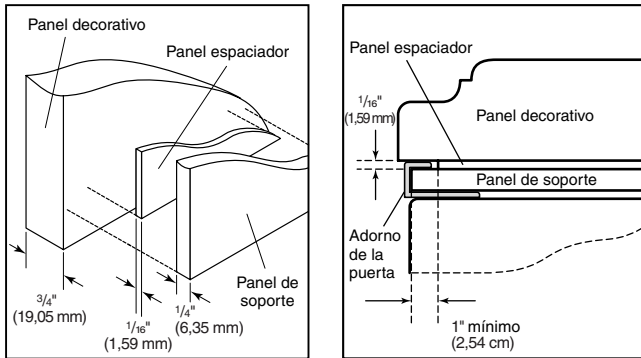
No limpie los estantes y tapas de vidrio con agua caliente mientras están fríos. Los estantes y tapas pueden romperse si se exponen a cambios bruscos de temperatura o impacto, como sería un golpe brusco. El vidrio templado se ha diseñado para hacerse añicos. Esto es normal. Los estantes y tapas de vidrio son muy pesados. Use ambas manos al sacarlos para evitar que se caigan.



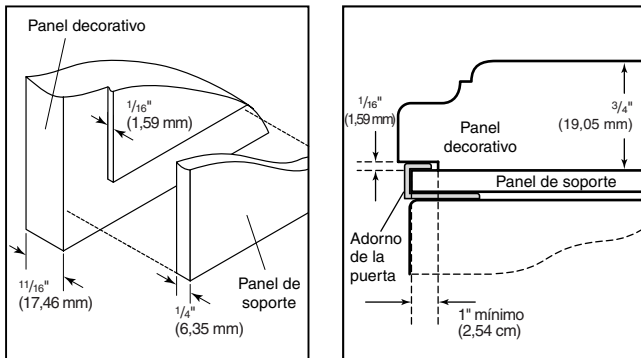
## Paneles para puerta a la medida (en algunos modelos)

Los paneles de la puerta a la medida le permiten armonizar el exterior de su refrigerador con la decoración de la cocina. Si va a instalar paneles de madera a la medida, deberá hacerlos usted mismo o consultar a un carpintero o fabricante de gabinetes calificado. Siga estas instrucciones para las medidas y la ubicación de los paneles, para asegurarse de que los paneles a la medida encajen adecuadamente.

Los paneles a la medida deben tener paneles de soporte instalados para montarlos en el refrigerador. Lo más común es trabajar con tres paneles, como se muestra en la siguiente gráfica: un panel decorativo de  $\frac{3}{4}$ " (19,05 mm), un panel espaciador de  $\frac{1}{16}$ " (1,59 mm) o tiras espaciadoras, y un panel de soporte de  $\frac{1}{4}$ " (6,35 mm).

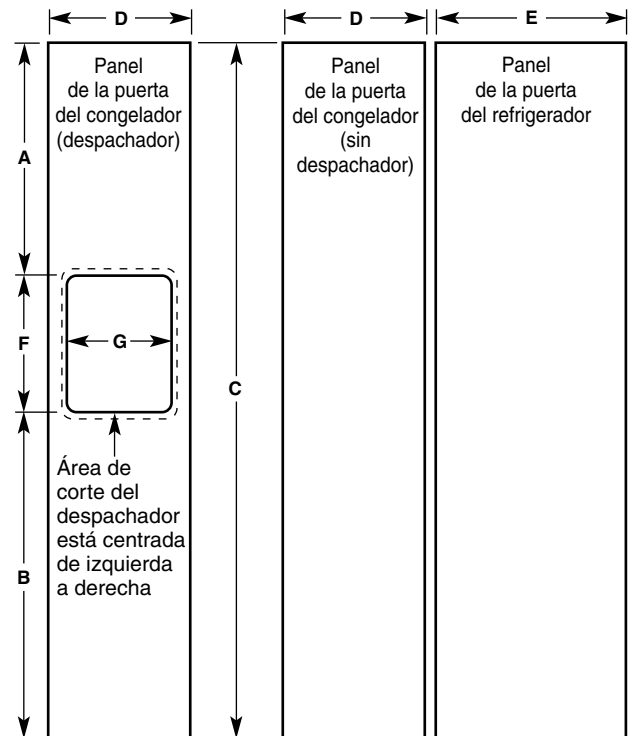


**NOTA:** También puede trabajar con dos paneles, como se muestra en la ilustración siguiente: un panel decorativo de  $\frac{3}{4}$ " (19,05 mm), contorneado con un recorte de  $\frac{1}{16}$ " (1,59 mm), y un panel de soporte de  $\frac{1}{4}$ " (6,35 mm) por separado.



### Dimensiones del panel decorativo

**NOTA:** La línea de rayas representa la ubicación del marco del despachador.



Dimensión	Altura/Ancho
A	19 $\frac{3}{8}$ " (49,2 cm)
B	31 $\frac{3}{4}$ " (80,6 cm)
C	68 $\frac{3}{16}$ " (173,2 cm)
D	15 $\frac{3}{8}$ " (39,1 cm)
E	20" (50,8 cm)
F	17 $\frac{1}{16}$ " (43,3 cm)
G	11 $\frac{15}{32}$ " (29,1 cm)

### Límites de peso

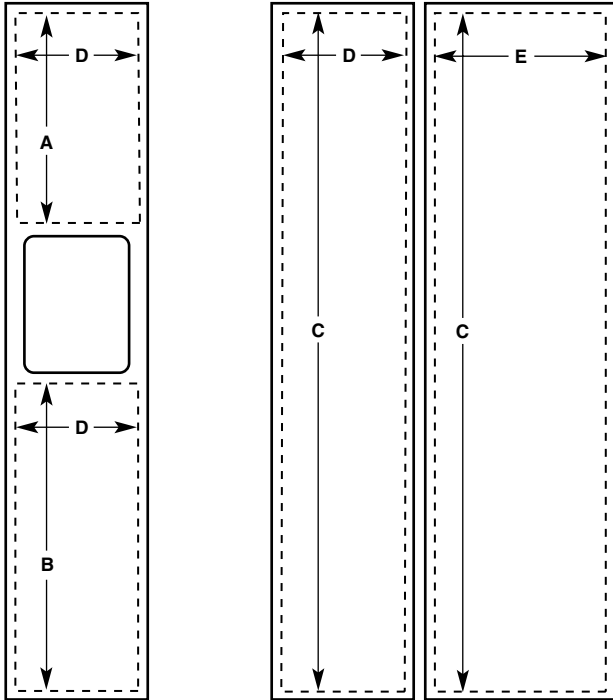
**IMPORTANTE:** Los paneles que pesan más de lo recomendado pueden dañar su refrigerador.

- El peso del (de los) panel(es) de la puerta del congelador no debe sobrepasar las 25 lb (11,3 kg).
- El peso del (de los) panel(es) de la puerta del refrigerador no debe sobrepasar las 41 lb (18,6 kg).

Para minimizar el peso del panel, puede usar tiras espaciadoras de 2" (5,08 cm) alrededor del perímetro en lugar de paneles espaciadores de hoja plena macizos. Las tiras espaciadoras deben fijarse a una distancia de al menos 1" (2,54 cm) de los extremos superior, inferior y lateral del panel de soporte. Si usa tiras espaciadoras, se recomienda también que use dos tiras de 2" (5,08 cm) centradas horizontalmente para proveer soporte adicional.

## Dimensiones del panel de soporte y espaciador

**NOTA:** Las líneas de rayas representan la ubicación de los paneles de soporte y espaciadores sobre los paneles decorativos. Los paneles de soporte y espaciadores deberán estar centrados vertical y horizontalmente.

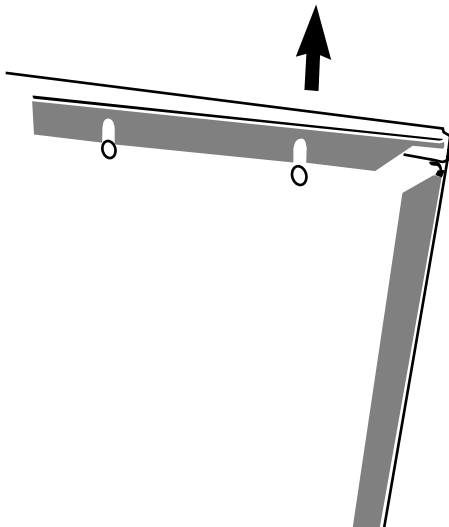


Dimensión	Panel de soporte	Panel espaciador
A	19" (48,3 cm)	18 <sup>3</sup> / <sub>8</sub> " (46,7 cm)
B	31 <sup>15</sup> / <sub>32</sub> " (79,9 cm)	30 <sup>3</sup> / <sub>4</sub> " (78,1 cm)
C	67 <sup>29</sup> / <sub>32</sub> " (172,5 cm)	66 <sup>9</sup> / <sub>16</sub> " (169,1 cm)
D	14 <sup>7</sup> / <sub>8</sub> " (37,8 cm)	14 <sup>1</sup> / <sub>4</sub> " (36,2 cm)
E	19 <sup>1</sup> / <sub>2</sub> " (49,6 cm)	18 <sup>7</sup> / <sub>8</sub> " (47,9 cm)

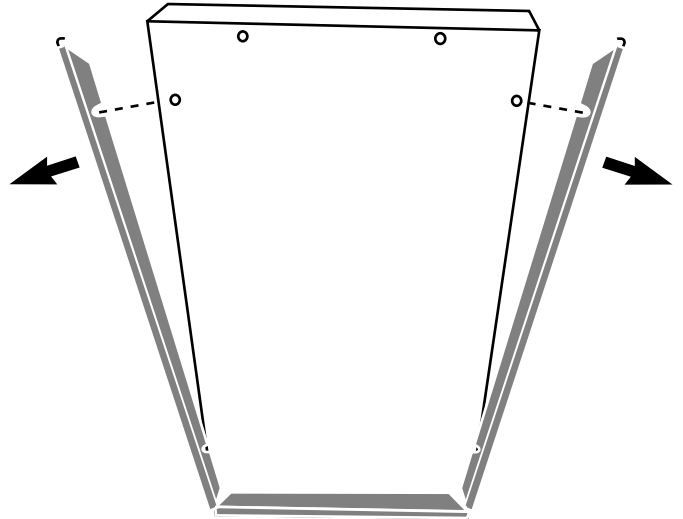
## Cómo instalar los paneles de la puerta

**NOTA:** En las ilustraciones que aparecen en esta sección, el color gris oscuro representa la moldura de la puerta y el color gris claro representa el panel de la puerta.

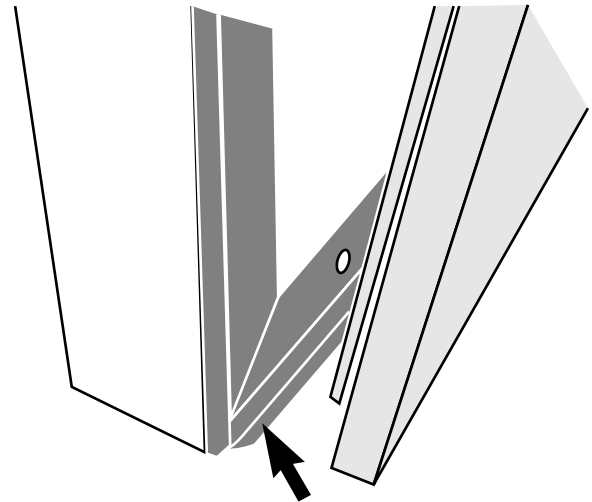
1. Quite la moldura superior de la parte superior de la puerta del congelador.



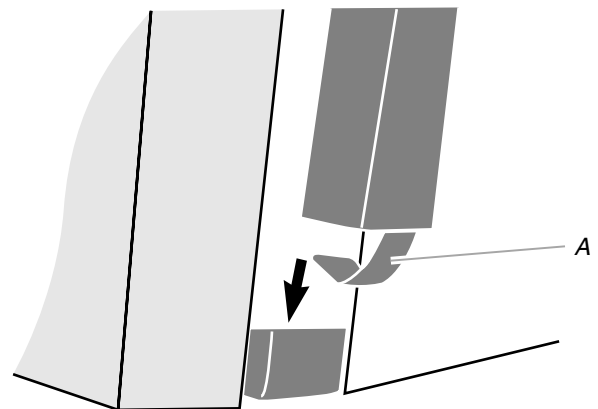
2. Quite la moldura lateral de cada lado de la puerta del congelador.



3. Alinee el borde inferior del panel de la puerta con la moldura inferior que está en la base de la puerta del congelador. Centre el panel sobre la puerta del congelador.

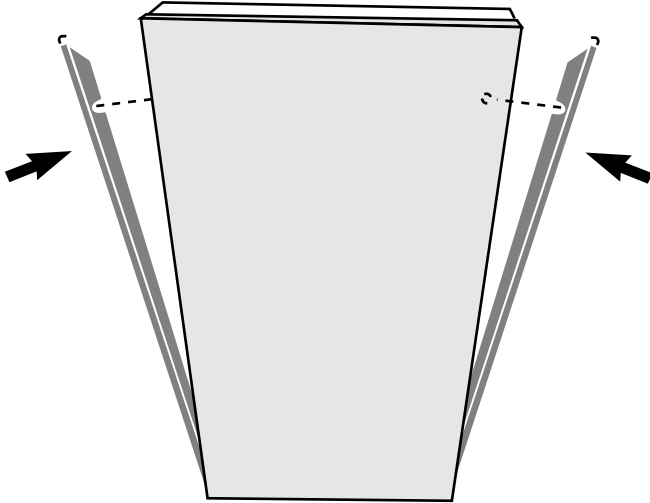


4. Vuelva a colocar cada moldura lateral, cerciorándose de que el sujetador de la moldura se deslice dentro de la esquina de la moldura inferior.

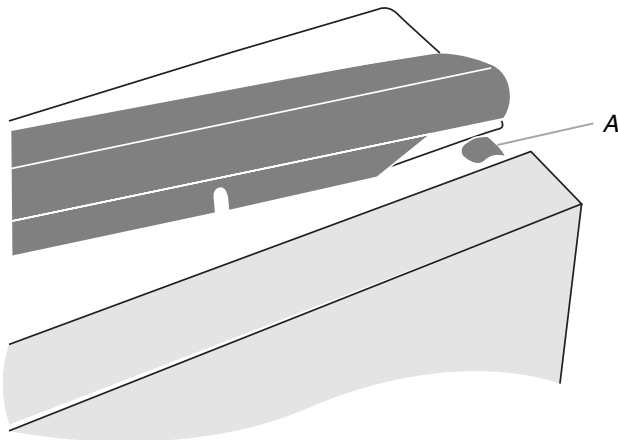


A. Sujetador de la moldura

5. Con las molduras laterales encajadas debidamente en la moldura inferior, deslice cada moldura dentro de la ranura del panel de la puerta.

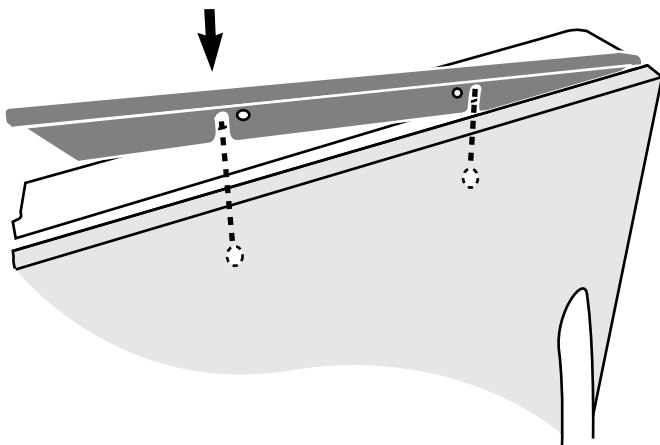


6. Alinee la moldura superior con los sujetadores de la moldura que están en la parte superior de cada moldura lateral.

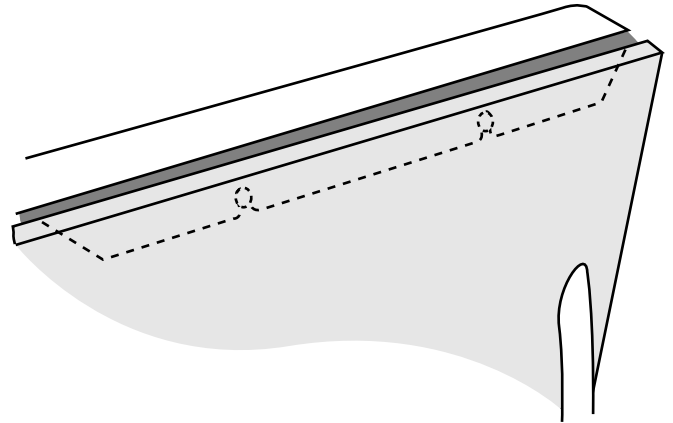


A. Sujetador de la moldura

7. Deslice la moldura superior dentro de la ranura del panel de la puerta presionando con firmeza hacia abajo. Cerciórese de que las ranuras sobre la moldura superior estén alineadas debidamente con los remaches sobre el panel de la puerta.



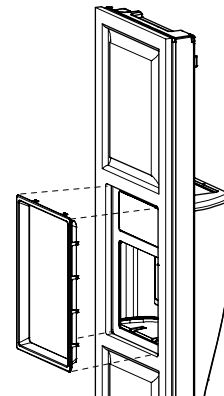
8. Cuando la moldura superior esté asentada por completo, deberá estar casi alineada con la parte superior de la puerta del congelador, cubriendo por completo ambos sujetadores de la moldura lateral.



9. Repita los pasos anteriores para instalar el panel de la puerta del congelador.

### Instalación del marco del despachador (solamente en modelos con despachador)

Después de instalar los paneles de la puerta a la medida, encaje a presión el marco del despachador sobre la puerta del congelador, como se muestra.



## Cómo instalar la tubería de agua nueva (si es necesario)

### HERRAMIENTAS NECESARIAS:

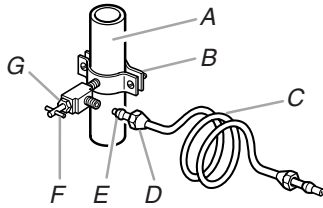
- Destornillador de hoja plana
- Broca de 1/4"
- Llaves de boca de 7/16" y 1/2" o
- Taladro inalámbrico dos llaves ajustables

1. CIERRE el suministro principal de agua. ABRA la llave de agua más cercana el tiempo suficiente para que la tubería de agua se vacíe.
2. Busque una tubería vertical de agua fría de 1/2" (12,70 mm) a 1 1/4" (3,18 cm) cerca del refrigerador.

**NOTA:** Una tubería horizontal funcionará, pero debe seguirse el procedimiento indicado a continuación:

- Taladre por el lado de arriba de la tubería, no por debajo. Esto ayudará a mantener el agua alejada del taladro. Esto también evita que se acumule el sedimento normal en la válvula.

- Determine la longitud de la tubería de cobre que necesite. Mida desde la conexión de la parte baja trasera izquierda del refrigerador hasta la tubería de agua. Agregue 7 pies (2,1 m) para poder mover el refrigerador para limpiarlo. Use tubería de cobre de ¼" (6,35 mm) de diámetro externo. Asegúrese que ambos extremos de la tubería de cobre están cortados a escuadra.
- Usando un taladro inalámbrico, haga un orificio de ¼" (6,35 mm) en la tubería de agua fría que Ud. eligió.



- |                            |                        |
|----------------------------|------------------------|
| A. Tubería de agua fría    | E. Manga de compresión |
| B. Abrazadera para tubería | F. Válvula de cierre   |
| C. Tubería de cobre        | G. Tuerca de presión   |
| D. Tuerca de compresión    |                        |

- Sujete la válvula de cierre al tubo de agua fría empleando la abrazadera para tubería. Asegúrese de que el extremo de salida esté firmemente insertado en el orificio taladrado de ¼" (6,35 mm) en la tubería de agua y que la arandela esté debajo de la abrazadera para tubería. Ajuste la tuerca de presión. Apriete los tornillos de la abrazadera para tubería con cuidado y en forma pareja de manera que la arandela provea un cierre hermético. No apriete demasiado porque se puede quebrar la tubería de cobre, especialmente si usa la tubería de cobre blanda (enrollada). Ahora está listo para conectar la tubería de cobre.
- Deslice la manga de compresión y la tuerca de compresión sobre la tubería de cobre como se muestra en el gráfico. Inserte el extremo de la tubería en el extremo de salida de la válvula de cierre hasta donde sea posible. Atornille la tuerca de compresión sobre el extremo de salida con una llave ajustable. No apriete demasiado.
- Coloque el extremo libre de la tubería dentro de un recipiente o fregadero, ABRA el suministro principal de agua y enjuague la tubería hasta que el agua salga limpia. CIERRE la válvula de cierre del tubo de agua.

## Conexión del suministro de agua

Lea todas las instrucciones antes de comenzar.

### IMPORTANTE:

- Las instalaciones de plomería deben efectuarse de conformidad con el Código de plomería internacional y los códigos y ordenanzas de plomería locales.
- Use tubería de cobre o una línea de suministro de Whirlpool, Pieza número 8212547RP y revise si hay fugas.
- Instale la tubería sólo en áreas donde las temperaturas permanezcan encima del punto de congelación.

### HERRAMIENTAS NECESARIAS:

Reúna las herramientas y piezas necesarias antes de comenzar la instalación.

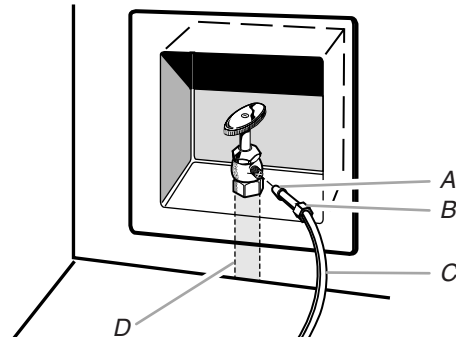
- Destornillador de hoja plana
- Llaves de extremo abierto de 7/16" y ½" o dos llaves de tuercas ajustables
- Llave de tuercas de ¼"

## Conexión a la línea de agua

**IMPORTANTE:** Si enciende el refrigerador antes de conectar la línea del agua, APAGUE la fábrica de hielo.

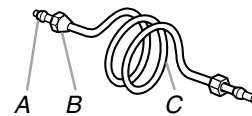
- Desenchufe el refrigerador o desconecte el suministro de energía.
- CIERRE el suministro principal de agua. ABRA la llave de agua más cercana el tiempo suficiente para que la tubería de agua se vacíe totalmente.
- Use una válvula de cierre de un cuarto de vuelta o una equivalente, abastecida por una línea de cobre de suministro del hogar, de ½".

**NOTA:** Se recomienda una línea de cobre de suministro doméstica, de un mínimo de ½" para permitir el flujo suficiente de agua al refrigerador.



- |           |   |
|-----------|---|
| A. Bulbo  | C. Tubería de cobre (al refrigerador)             |
| B. Tuerca | D. Línea de suministro doméstica (½" como mínimo) |

- Ahora está listo para conectar la tubería de cobre a la válvula de cierre. Use tubería de cobre blando de ¼" (6,35 mm) de diámetro exterior, para conectar la válvula de cierre y el refrigerador.
  - Asegúrese de tener la longitud adecuada necesaria para el trabajo. Cerciórese de que ambos extremos de la tubería de cobre estén cortados en ángulo recto.
  - Deslice la manga de compresión y la tuerca de compresión en la tubería de cobre según se ilustra. Introduzca el extremo de la tubería en el extremo de salida en ángulo recto hasta donde sea posible. Atornille la tuerca de compresión en el extremo de salida usando la llave de tuercas ajustable. No ajuste demasiado.



- |                         |                     |
|-------------------------|---------------------|
| A. Manga de compresión  | C. Tubería de cobre |
| B. Tuerca de compresión |                     |

- Coloque el extremo libre de la tubería en un recipiente o un fregadero, abra el suministro principal del agua y deje correr el agua por la tubería hasta que el agua salga limpia. Cierre la válvula de cierre del tubo de agua.

**NOTA:** Siempre desagüe la tubería de agua antes de efectuar la conexión final al orificio de entrada de la válvula de agua para evitar un probable mal funcionamiento de la misma.

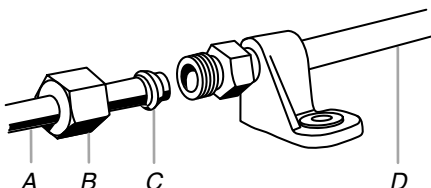
- Doble la tubería de cobre para poder encajarla en el orificio de entrada de agua, que está ubicado en la parte trasera de la carcasa del refrigerador, según se ilustra. Deje un serpentín de tubería de cobre para permitir sacar el refrigerador del armario o alejarlo de la pared para el servicio.

## Conexión al refrigerador

### Estilo 1

1. Desenchufe el refrigerador o desconecte el suministro de energía.
2. Quite y deseche la parte corta de plástico negro del extremo de la entrada de la línea de agua.
3. Enrosque la tuerca en el extremo de la tubería. Apriete la tuerca con la mano, y luego apriétela con la llave de tuercas dos giros más. No apriete demasiado.

**NOTA:** Para evitar ruidos molestos, asegúrese de que la tubería de cobre no toque la pared lateral de la carcasa u otras partes dentro de la carcasa.

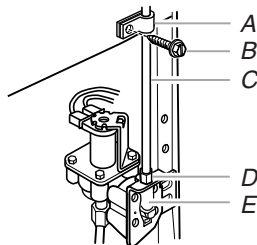


A. Tubería al refrigerador  
B. Tuerca (comprada)  
C. Fécula (comprada)  
D. Línea provista del refrigerador

4. Instale la abrazadera para tubos de suministro de agua alrededor de la línea de suministro de agua, para reducir la tensión en el acoplamiento.
5. ABRA la válvula de cierre.
6. Revise si hay fugas. Ajuste las conexiones (incluso las de la válvula) o tuercas que tengan fugas.

### Estilo 2

1. Desenchufe el refrigerador o desconecte el suministro de energía.
2. Quite y deseche la parte de plástico que está sujeta a la entrada de la válvula de agua.
3. Fije el tubo de cobre a la entrada de la válvula usando una tuerca de compresión y manga de compresión como se muestra. Ajuste la tuerca de compresión. No apriete demasiado.
4. Use la abrazadera para tubería en la parte trasera del refrigerador para afianzar la tubería al refrigerador según se muestra. Esto ayudará a evitar daños en la tubería cuando el refrigerador se empuje nuevamente contra la pared.
5. ABRA la válvula de cierre.
6. Revise si hay fugas. Ajuste las conexiones (incluso las de la válvula) o tuercas que tengan fugas.



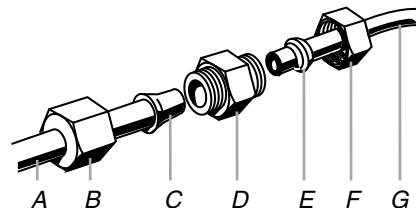
A. Abrazadera para tubería  
B. Tornillo de abrazadera para tubería  
C. Tubería de cobre  
D. Tuerca de compresión  
E. Entrada de la válvula

7. En algunos modelos, la fábrica de hielo está equipada con un filtro de agua incorporado. Si las condiciones del agua local requieren un segundo filtro de agua, se debe instalar en la línea de agua de 1/4" (6,35 mm) en cualquiera de las conexiones de la tubería. Consiga un filtro de agua del distribuidor de electrodomésticos más cercano a su domicilio.

### Estilo 3

1. Desenchufe el refrigerador o desconecte el suministro de energía.
2. Retire y descarte el tapón de nylon negro del tubo de agua gris en la parte trasera del refrigerador.
3. Si el tubo de agua gris suministrado con el refrigerador no es suficientemente largo, se necesita un acoplamiento de 1/4" x 1/4" (6,35 mm x 6,35 mm) para conectar la tubería de agua a una línea doméstica de agua existente. Enrosque la tuerca provista sobre el acoplamiento en el extremo de la tubería de cobre.

**NOTA:** Apriete la tuerca a mano. Luego apriétela dos vueltas adicionales con una llave de tuercas. No apriete demasiado.



A. Tubería de agua del refrigerador  
B. Tuerca (provista)  
C. Bulbo  
D. Acoplamiento (adquirido)  
E. Fécula (adquirida)  
F. Tuerca (adquirida)  
G. Línea de agua de la casa

4. ABRA la válvula de cierre.
5. Revise si hay fugas. Apriete aquellas tuercas o conexiones que tengan fugas (incluidas las conexiones en la válvula).

## Cómo enchufar el refrigerador

### ⚠ ADVERTENCIA



#### Peligro de Choque Eléctrico

Conecte a un contacto de pared de conexión a tierra de 3 terminales.

No quite la terminal de conexión a tierra.

No use un adaptador.

No use un cable eléctrico de extensión.

No seguir estas instrucciones puede ocasionar la muerte, incendio o choque eléctrico.

1. Enchufe a un contacto de pared de conexión a tierra de 3 terminales.

## Preparación del sistema de agua

Sírvase leer antes de usar el sistema de agua.

Inmediatamente después de la instalación, siga los pasos a continuación para asegurarse de que el sistema de agua esté debidamente limpio.

1. Abra la puerta del congelador y apague la fábrica de hielo. El interruptor de On/Off (Encendido/Apagado) es accesible sólo cuando se ha quitado el depósito de hielo. El interruptor está ubicado en la puerta del congelador, en el lado izquierdo de la pared alrededor del depósito de hielo. Mueva el interruptor a la posición OFF (Apagado - hacia la derecha).
2. Asegúrese de que el filtro de agua esté instalado adecuadamente.

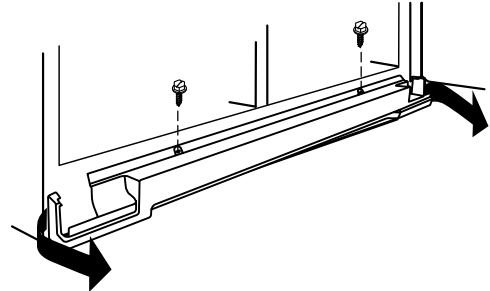
No use con agua que no sea microbiológicamente segura o que sea de calidad desconocida sin desinfectarla adecuadamente antes o después del sistema. Pueden usarse sistemas certificados para la reducción de quistes en aguas desinfectadas que puedan contener quistes filtrables.

3. Enjuague el sistema de agua. Use un recipiente resistente para oprimir y sostener la barra del despachador por 5 segundos, luego suéltela por 5 segundos. Repita hasta que el agua comience a correr. Una vez que el agua haya comenzado a correr, continúe presionando y soltando la barra del despachador (5 segundos activado, 5 segundos desactivado) hasta despachar un total de 3 gal. (12 L). Esto eliminará el aire en el filtro y en el sistema de despachado de agua y preparará el filtro de agua para ser usado. En algunas casas se podrá requerir enjuague adicional. A medida que sale aire del sistema, es posible que salgan chorros de agua repentinos del despachador.
4. Abra la puerta del congelador y encienda la fábrica de hielo. Mueva el interruptor a la posición ON (Encendido - hacia la izquierda). Vea el Manual de uso y cuidado para obtener más instrucciones sobre el funcionamiento de su fábrica de hielo.
  - Deje transcurrir 24 horas para la producción del primer lote de hielo.
  - Deshágase de los tres primeros lotes de hielo producidos.
  - Dependiendo de su modelo, puede ser que Ud. desee elegir la característica máxima de hielo para incrementar la producción de hielo.

## Nivelación y cierre de la puerta

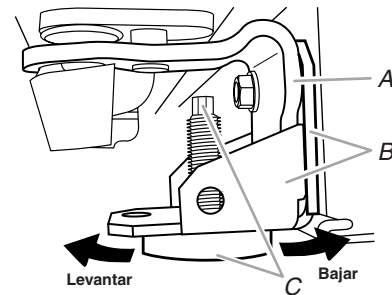
Su refrigerador tiene dos patas frontales regulables – una a la derecha y otra a la izquierda. En la mayoría de los casos, el refrigerador debe estar estable cuando las dos patas están tocando el piso. Si su refrigerador parece inestable o usted quiere que las puertas se cierren con mayor facilidad, ajuste la inclinación del refrigerador usando las instrucciones siguientes:

1. Mueva el refrigerador hacia su posición final. Abra ambas puertas 90°. Quite la rejilla de la base sacando los 2 tornillos, luego jale hacia fuera las esquinas exteriores.



**NOTA:** Las puertas solo deben de abrirse a 90°. Si se abren por completo, la rejilla de la base no se podrá quitar.

2. Las dos patas niveladoras están ubicadas en los soportes a cada lado del producto.



A. Bisagra inferior  
B. Soporte nivelador  
C. Pata niveladora

**NOTA:** Para quitar un poco de peso de las patas niveladoras, haga que alguien empuje la parte superior del refrigerador. Esto facilita los ajustes.

3. Use una llave de boca o una llave ajustable de 1/4" para regular las patas niveladoras. Gire la pata reguladora hacia la izquierda para levantar ese lado del producto o gire la pata reguladora hacia la derecha para bajar ese lado.
4. Abra ambas puertas nuevamente y verifique para asegurarse que se cierran con la facilidad que usted desea. De lo contrario, incline el refrigerador ligeramente más hacia la parte posterior, girando las patas niveladoras hacia la izquierda. Puede tomar varias vueltas más, y usted deberá girar ambas patas niveladoras la misma cantidad de veces.

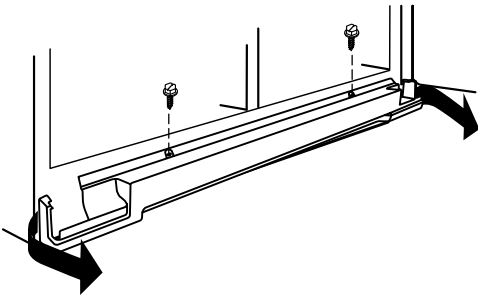
**NOTA:** Cada vez que necesite mover el refrigerador, gire las patas niveladoras hacia la derecha hasta que no toquen más el piso. Esto permitirá que el refrigerador ruede con más facilidad.

## Alineamiento de la puerta

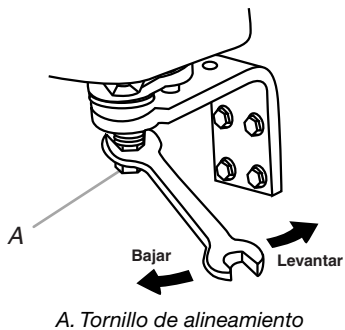
Puede parecer que las puertas de un refrigerador que no esté nivelado de lado a lado no estén alineadas debidamente. Si las puertas parecen estar de esta manera, siga las instrucciones de la sección previa para verificar la nivelación.

Las puertas han sido diseñadas con alturas ligeramente diferentes cuando el refrigerador está vacío, para compensar por el peso de los alimentos que serán colocados en las puertas. Si las puertas aún no están alineadas después de verificar la nivelación y de poner alimentos en el refrigerador, siga los pasos a continuación para regular el alineamiento de las puertas.

1. Abra ambas puertas 90° y quite la rejilla de la base, si es necesario.



2. Ubique el tornillo de alineamiento que está ubicado en la bisagra inferior de la puerta del refrigerador.



3. Use una llave de boca o una llave ajustable de  $\frac{5}{16}$ " para girar el tornillo. Para levantar la puerta del refrigerador, gire el tornillo hacia la derecha. Para bajar la puerta, gire el tornillo hacia la izquierda.
4. Verifique que las puertas estén niveladas en la parte de arriba. Si es necesario, continúe girando el tornillo de alineamiento hasta que las puertas queden alineadas.
5. Abra ambas puertas 90°. Vuelva a colocar la rejilla de la base.

## Complete la instalación

1. Gire la válvula de la tubería de suministro de agua a la posición "Abierta".
2. Gire el interruptor del refrigerador a la posición ON (Encendido). Espere unos minutos. Busque fugas en las conexiones de la tubería de agua.
3. Fije los controles del compartimiento del refrigerador y del congelador en su posición central. Verifique que el compresor está funcionando correctamente y que todas las luces funcionan.
4. Enjuague el sistema de agua antes de utilizarlo. Vea "Prepare el sistema de agua".

**NOTA:** Si se sigue construyendo después de haber instalado el refrigerador, fije los controles en OFF (Apagado).

### Si el refrigerador no funciona

- Verifique que el disyuntor no se haya disparado o que no se haya quemado un fusible.
- Verifique que el cable del suministro de energía esté enchufado en un contacto de pared de conexión a tierra de 3 terminales.
- Vea "Solución de problemas" en el Manual de uso y cuidado.

# INSTRUCTIONS D'INSTALLATION

## Assistance ou service

### Si vous avez des questions

Si vous avez des questions concernant le fonctionnement, le nettoyage ou l'entretien de votre réfrigérateur, consulter le Guide d'utilisation et d'entretien.

### Si vous avez besoin de service

Maintenez la qualité de votre réfrigérateur en téléphonant à une compagnie de service agréée.

Pour obtenir le nom et le numéro d'une compagnie de service agréée, vérifier le Guide d'utilisation ou d'entretien pour le numéro à composer, téléphoner au marchand chez qui l'appareil ménager a été acheté ou consulter les Pages jaunes de votre annuaire téléphonique.

**Conservez ce manuel et votre reçu de vente ensemble pour référence ultérieure. Pour le service sous garantie, vous devez présenter un document prouvant la date d'achat ou d'installation.**

Inscrivez les renseignements suivants au sujet de votre appareil ménager pour vous aider à obtenir assistance ou service en cas de besoin. Vous devrez connaître le numéro de modèle et le numéro de série au complet. Vous trouverez ces renseignements sur la plaque signalétique située sur la paroi interne du compartiment de réfrigération.

Nom du marchand \_\_\_\_\_

Numéro de série \_\_\_\_\_

Adresse \_\_\_\_\_

Numéro de téléphone \_\_\_\_\_

Numéro de modèle \_\_\_\_\_

Date d'achat \_\_\_\_\_

## SÉCURITÉ DU RÉFRIGÉRATEUR

### Votre sécurité et celle des autres est très importante.

Nous donnons de nombreux messages de sécurité importants dans ce manuel et sur votre appareil ménager. Assurez-vous de toujours lire tous les messages de sécurité et de vous y conformer.



Voici le symbole d'alerte de sécurité.

Ce symbole d'alerte de sécurité vous signale les dangers potentiels de décès et de blessures graves à vous et à d'autres.

Tous les messages de sécurité suivront le symbole d'alerte de sécurité et le mot "DANGER" ou "AVERTISSEMENT". Ces mots signifient :

**⚠ DANGER**

**Risque possible de décès ou de blessure grave si vous ne suivez pas immédiatement les instructions.**

**⚠ AVERTISSEMENT**

**Risque possible de décès ou de blessure grave si vous ne suivez pas les instructions.**

Tous les messages de sécurité vous diront quel est le danger potentiel et vous disent comment réduire le risque de blessure et ce qui peut se produire en cas de non-respect des instructions.

## EXIGENCES D'INSTALLATION

### Outillage et pièces

#### IMPORTANT :

- Respecter toutes les prescriptions des codes et règlements en vigueur.
- Installateur : Remettre les instructions d'installation au propriétaire.
- Propriétaire : Conserver les instructions d'installation pour consultation ultérieure et pour utilisation par l'inspecteur local des installations électriques.
- Garder la pièce de carton ou de contreplaqué d'expédition sous le réfrigérateur jusqu'à son installation à l'emplacement de service.
- Observer les spécifications et dimensions d'installation.
- Retirer toute moulure ou tout panneau décoratif des meubles de cuisine qui entraveraient l'accès au réfrigérateur lors d'une intervention de réparation.
- Communiquer avec un électricien qualifié.



## OUTILLAGE REQUIS (sur certains modèles) :

Rassembler les outils et pièces nécessaires avant de commencer l'installation. Lire et suivre les instructions fournies avec les outils indiqués ici.

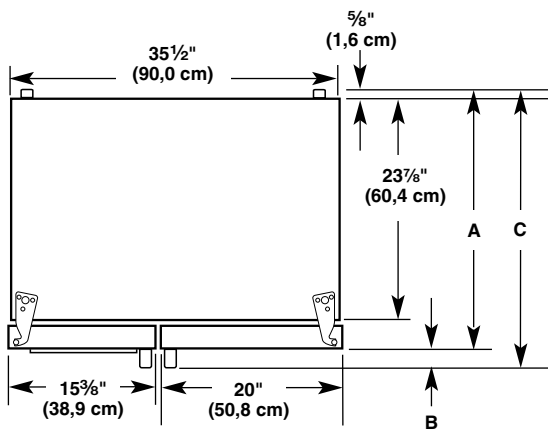
- Perceuse sans fil
- Clé de  $\frac{5}{16}$ " ou clé à molette
- Tourne-écrou de  $\frac{1}{4}$ " et foret
- Clés plates de  $\frac{7}{16}$ " et  $\frac{1}{2}$ "
- Tournevis à lame plate
- Deux clés à molette
- Clés à douille de  $\frac{3}{8}$ " et  $\frac{1}{2}$ "

## PIÈCES NÉCESSAIRES (sur certains modèles) :

- Votre marchand de réfrigérateurs présente une trousse avec un robinet d'arrêt à étrier de  $\frac{1}{4}$ " (6,35 mm), un raccord et un tube en cuivre.
- Ou vous pouvez acheter un tube en cuivre de  $\frac{1}{4}$ " (6,35 mm) avec un robinet d'arrêt et un raccord de compression de  $\frac{1}{4}$ " (6,35 mm).
- Selon les raccordements de la canalisation d'eau, il vous faudra peut-être aussi un écrou de  $\frac{1}{4}$ " (6,35 mm) et une virole de  $\frac{1}{4}$ " (6,35 mm).

## Dimensions du produit

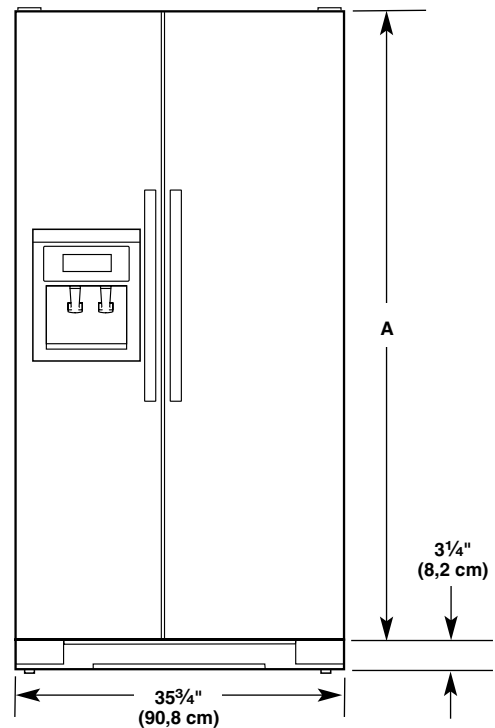
### Vue de dessus



Style de porte	Profondeur A	Profondeur B	Profondeur C
Plate	27 $\frac{1}{2}$ " (69,8 cm)	2 $\frac{5}{8}$ " (6,5 cm) maximale*	30" (76,3 cm) maximale*
Incurvée	28 $\frac{5}{8}$ " (72,5 cm)	2 $\frac{5}{8}$ " (6,5 cm)	31 $\frac{1}{8}$ " (79,1 cm)

\*Les dimensions peuvent varier en fonction du type de poignée de porte. La profondeur pour utilisation de la poignée la plus large est indiquée.

### Vue de face



Taille du modèle	Hauteur A
69"	65 $\frac{3}{4}$ " (166,9 cm)
72"	68 $\frac{1}{8}$ " (172,9 cm)

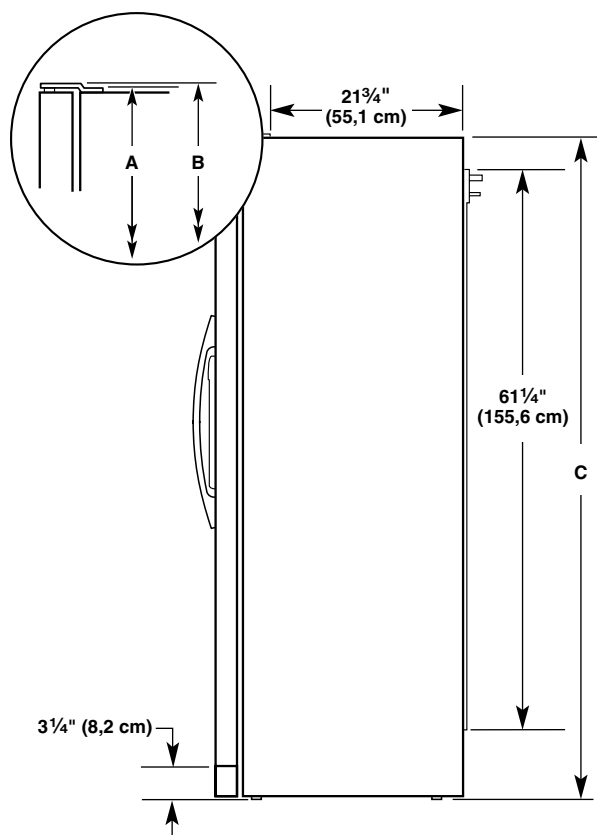
### Vue latérale

- Les dimensions de hauteur sont illustrées avec les pieds de nivellement déployés à la hauteur minimum de  $\frac{1}{4}$ " (6,35 mm) sous le réfrigérateur.

**REMARQUE :** Lorsque les pieds de nivellement sont complètement déployés à 1" (25 mm) sous le réfrigérateur, ajouter  $\frac{3}{4}$ " (19 mm) aux dimensions de hauteur.

- Le cordon d'alimentation mesure 61 $\frac{1}{4}$ " (155,6 cm) de long.

- La canalisation d'eau fixée à l'arrière du réfrigérateur mesure 78" (198,1 cm) de long.



Taille du modèle	Hauteur A	Hauteur B	Hauteur C
69"	68 <sup>7</sup> / <sub>8</sub> " (174,8 cm)	68 <sup>7</sup> / <sub>8</sub> " (174,9 cm)	68 <sup>1</sup> / <sub>2</sub> " (174,2 cm)
72"	71 <sup>1</sup> / <sub>4</sub> " (180,8 cm)	71 <sup>1</sup> / <sub>4</sub> " (180,9 cm)	71" (180,2 cm)

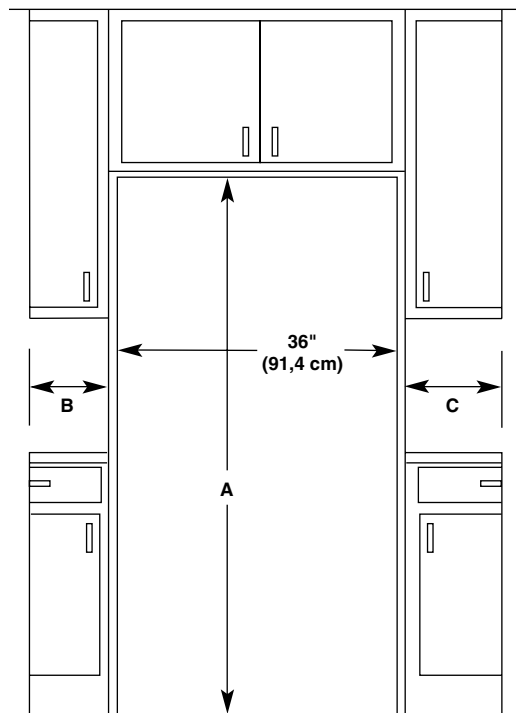
### Dimensions de l'ouverture

- Les dimensions de hauteur sont illustrées avec les pieds de nivellement déployés à la hauteur minimum de 1/4" (6,35 mm) sous le réfrigérateur.

**REMARQUE :** Lorsque les pieds de nivellement sont complètement déployés à 1" (25 mm) sous le réfrigérateur, ajouter 3/4" (19 mm) aux dimensions de hauteur.

- Dans l'illustration suivante, A représente la hauteur d'ouverture nécessaire pour des placards ordinaires. Pour les portes de placard à recouvrement complet avec ensemble de garniture, ajouter 1/8" (0,3 cm).

- Dans l'illustration suivante, B représente la distance nécessaire pour l'ouverture complète de la porte du congélateur et C la distance nécessaire pour l'ouverture complète de la porte du réfrigérateur.

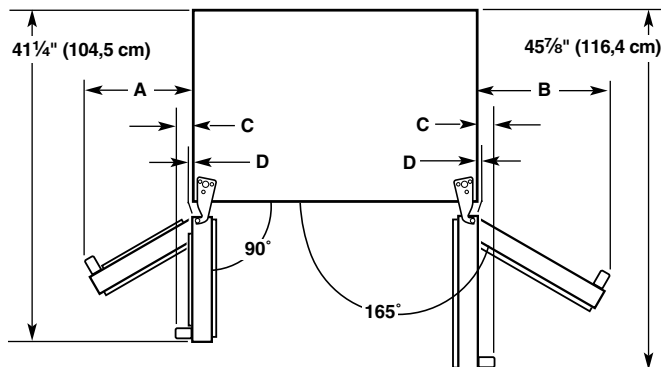


Taille du modèle et style de porte	Hauteur A	Largeur B	Largeur C
69" Plate	69" (175,3 cm)	13 <sup>5</sup> / <sub>8</sub> " (34,5 cm) maximale*	18 <sup>1</sup> / <sub>8</sub> " (46,0 cm) maximale*
72" Plate	72" (182,9 cm)	13 <sup>5</sup> / <sub>8</sub> " (34,5 cm) maximale*	18 <sup>1</sup> / <sub>8</sub> " (46,0 cm) maximale*
69" Incurvée	69" (175,3 cm)	13 <sup>3</sup> / <sub>4</sub> " (34,9 cm)	18 <sup>3</sup> / <sub>8</sub> " (46,4 cm)
72" Incurvée	72" (182,9 cm)	13 <sup>3</sup> / <sub>4</sub> " (34,9 cm)	18 <sup>3</sup> / <sub>8</sub> " (46,4 cm)

\*Les dimensions peuvent varier en fonction du type de poignée de porte. La largeur pour utilisation de la poignée la plus large est indiquée.

## Dimensions pour le pivotement des portes

- L'emplacement d'installation doit permettre l'ouverture des portes à un angle minimal de 165°.
- Dans l'illustration suivante, A représente la distance nécessaire pour l'ouverture complète de la porte du congélateur et B la distance nécessaire pour l'ouverture complète de la porte du réfrigérateur.



Dimension	Portes plates	Portes incurvées
A	13 5/8" (34,5 cm) maximale*	13 3/4" (34,9 cm)
B	18 1/8" (46,0 cm) maximale*	18 3/8" (46,4 cm)
C	2 3/4" (6,7 cm) maximale*	3 3/4" (9,4 cm)
D	1/8" (0,2 cm)	1 1/4" (2,9 cm)

\*Les dimensions peuvent varier en fonction du type de poignée de porte. La largeur pour utilisation de la poignée la plus large est indiquée.

## Exigences d'emplacement

### ⚠ AVERTISSEMENT



#### Risque d'explosion

**Garder les matériaux et les vapeurs inflammables, telle que l'essence, loin du réfrigérateur.**

**Le non-respect de cette instruction peut causer un décès, une explosion ou un incendie.**

#### REMARQUES :

- Le réfrigérateur à profondeur de comptoir peut être installé dans un encastrement, à l'extrémité des placards ou en position autonome.
- Si vous installez le réfrigérateur pour qu'il soit en affleurement avec les placards inférieurs, il faut enlever toutes les moulures et plinthes de l'arrière de l'ouverture du réfrigérateur. Laisser un espace de 1" (2,54 cm) derrière le réfrigérateur.

- L'emplacement doit permettre l'ouverture complète des portes. Voir la section "Dimensions pour le pivotement des portes".
- Ne pas installer le réfrigérateur près d'un four, d'un radiateur ou d'une autre source de chaleur, ni dans un endroit où la température baissera au-dessous de 55°F (13°C).
- Le plancher doit supporter le poids du réfrigérateur (plus de 600 lb [272 kg], les panneaux de porte ainsi que le contenu).

## Spécifications électriques

### ⚠ AVERTISSEMENT



#### Risque de choc électrique

**Brancher sur une prise à 3 alvéoles reliée à la terre.**

**Ne pas enlever la broche de liaison à la terre.**

**Ne pas utiliser un adaptateur.**

**Ne pas utiliser un câble de rallonge.**

**Le non-respect de ces instructions peut causer un décès, un incendie ou un choc électrique.**

Avant de placer le réfrigérateur à son emplacement final, il est important de vous assurer d'avoir la connexion électrique appropriée.

#### Méthode recommandée de mise à la terre

Une source d'alimentation de 115 volts, 60 Hz, type 15 ou 20 ampères CA seulement, protégée par fusible et adéquatement mise à la terre est nécessaire. Il est recommandé d'utiliser un circuit distinct pour alimenter uniquement votre réfrigérateur. Utiliser une prise murale qui ne peut pas être mise hors circuit à l'aide d'un commutateur. Ne pas utiliser de rallonge.

**IMPORTANT :** Si ce produit est connecté à une prise protégée par un disjoncteur de fuite à la terre, un déclenchement intempestif peut se produire et causer une perte de refroidissement. La qualité et la saveur des aliments risquent d'être affectées. Si un déclenchement intempestif se produit et si les aliments semblent de piètre qualité, jeter le tout.

**REMARQUE :** Avant d'exécuter tout type d'installation, nettoyage ou remplacement d'une ampoule d'éclairage, tourner le réglage (réglage du thermostat, du réfrigérateur ou du congélateur selon le modèle) à OFF (arrêt) et déconnecter ensuite le réfrigérateur de la source de courant électrique. Lorsque vous avez terminé, reconnecter le réfrigérateur à la source de courant électrique et mettre de nouveau le réglage (réglage du thermostat, du réfrigérateur ou du congélateur selon le modèle) au réglage désiré.

## Spécifications de l'alimentation en eau

Rassembler les outils et pièces nécessaires avant de commencer l'installation. Lire et suivre les instructions fournies avec les outils indiqués ici.

### OUTILLAGE REQUIS :

- Tournevis à lame plate
- Clés plates de 7/16" et 1/2" ou deux clés à molette
- Tourne-écrou de 1/4"
- Foret de 1/4"
- Perceuse sans fil

**REMARQUE :** Votre marchand de réfrigérateurs présente une trousse disponible avec un robinet d'arrêt à étrier de 1/4" (6,35 mm), un raccord et un tube en cuivre. Avant l'achat, s'assurer que le robinet d'arrêt à étrier est conforme à vos codes locaux de plomberie. Ne pas employer de robinet d'arrêt à étrier de 3/16" (4,76 mm) ou de type à percer, ce qui réduit le débit d'eau et cause une obstruction plus facilement.

### IMPORTANT :

- Toutes les installations doivent être conformes aux exigences des codes locaux de plomberie.
- Utiliser un tube en cuivre et vérifier s'il y a des fuites. Installer les tubes en cuivre seulement à des endroits où la température se maintient au-dessus du point de congélation.

## Pression de l'eau

Une alimentation en eau froide avec une pression entre 30 et 120 lb/po<sup>2</sup> (207 et 827 kPa) est nécessaire pour faire fonctionner le distributeur d'eau et la machine à glaçons. Si vous avez des questions au sujet de la pression de votre eau, appeler un plombier qualifié agréé.

### Alimentation en eau par osmose inverse

**IMPORTANT :** La pression de l'alimentation en eau entre le système d'osmose inverse et la valve d'arrivée d'eau du réfrigérateur doit être entre 30 et 120 lb/po<sup>2</sup> (207 et 827 kPa).

Si un système de purification de l'eau par osmose inverse est raccordé à votre alimentation en eau froide, la pression de l'eau au système doit être d'un minimum de 40 à 60 lb/po<sup>2</sup> (276 à 414 kPa).

Si la pression de l'eau au système d'osmose inverse est inférieure à 40 à 60 lb/po<sup>2</sup> (276 à 414 kPa) :

- Vérifier si le filtre à sédiments du système d'osmose inverse est bloqué et le remplacer si nécessaire.
- Laisser le réservoir du système d'osmose inverse se remplir après une utilisation intense.
- Si votre réfrigérateur comporte un filtre à eau, celui-ci peut réduire encore plus la pression de l'eau lorsqu'il est utilisé avec un système d'osmose inverse. Retirer le filtre à eau. Voir "Système de filtration d'eau" dans le Guide d'utilisation et d'entretien.

Si vous avez des questions au sujet de la pression de votre eau, appeler un plombier qualifié agréé.

# INSTRUCTIONS D'INSTALLATION

## Déballage du réfrigérateur

### **AVERTISSEMENT**

#### Risque du poids excessif

Utiliser deux ou plus de personnes pour déplacer et installer le réfrigérateur.

Le non-respect de cette instruction peut causer une blessure au dos ou d'autre blessure.

### Enlever l'emballage

Jeter ou recycler tous les matériaux d'emballage. Ne pas utiliser d'instruments coupants, d'alcool à friction, de liquides inflammables ou de nettoyants abrasifs pour enlever le ruban adhésif ou la colle. Ces produits peuvent endommager la surface de votre réfrigérateur.

### IMPORTANT :

- Utiliser une clé à douille de 3/8" pour enlever les cales.
- Les quatre pieds de nivellement doivent toucher le plancher pour supporter et stabiliser le poids total du réfrigérateur.

### Déplacement de votre réfrigérateur :

Votre réfrigérateur est lourd. Lors du déplacement de votre réfrigérateur pour le nettoyage ou un entretien ou réparation, veiller à recouvrir le plancher avec du carton ou un panneau de fibres dures pour éviter qu'il ne subisse tout dommage. Toujours tirer le réfrigérateur tout droit lors de son déplacement. Ne pas incliner le réfrigérateur d'un côté ou de l'autre ni le "faire marcher" en essayant de le déplacer car le plancher pourrait être endommagé.

### Nettoyage avant utilisation

Après avoir enlevé tous les matériaux d'emballage, nettoyer l'intérieur du réfrigérateur avant de l'utiliser. Voir les instructions de nettoyage dans le Guide d'utilisation et d'entretien.

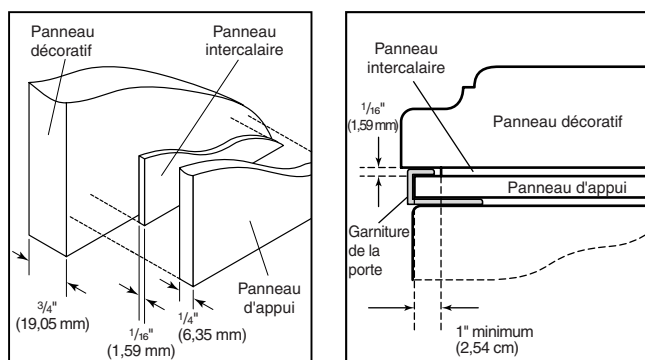
### Importants renseignements à savoir au sujet des tablettes et des couvercles en verre :

Ne pas nettoyer les tablettes ou couvercles en verre avec de l'eau tiède quand ils sont froids. Les tablettes et les couvercles peuvent se briser s'ils sont exposés à des changements soudains de température ou à un impact tel que coup brusque. Le verre trempé est conçu pour éclater en d'innombrables pièces minuscules. Ceci est normal. Les tablettes et les couvercles en verre sont lourds. Les saisir à deux mains lors de leur dépose afin d'éviter de les faire tomber.

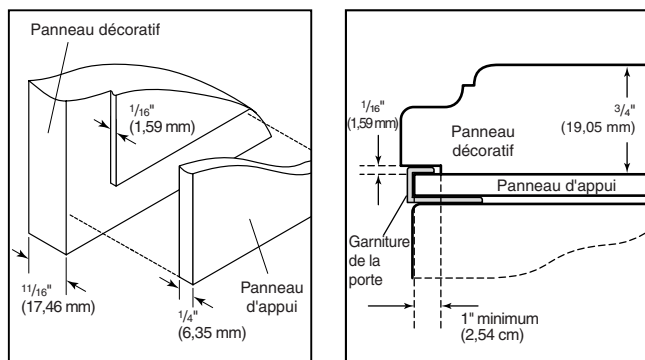
## Panneaux de porte personnalisés (sur certains modèles)

Les panneaux de porte personnalisés permettent d'harmoniser l'extérieur du réfrigérateur avec l'ensemble du décor de la cuisine. Si vous prévoyez installer des panneaux personnalisés en bois, vous devrez les créer vous-même ou consulter un ébéniste ou menuisier qualifié. Respecter les instructions relatives aux dimensions et au placement du panneau afin de s'assurer que les panneaux personnalisés conviendront parfaitement.

Les panneaux personnalisés doivent être munis de panneaux d'appui pour pouvoir être installés sur le réfrigérateur. La façon la plus courante est d'utiliser trois panneaux, tel qu'illustré ci-dessous : un panneau décoratif de  $\frac{3}{4}$ " (19,05 mm), un panneau intercalaire de  $\frac{1}{16}$ " (3,18 mm) ou des tringles d'espacement, et un panneau de soutien de  $\frac{1}{4}$ " (6,35 mm).

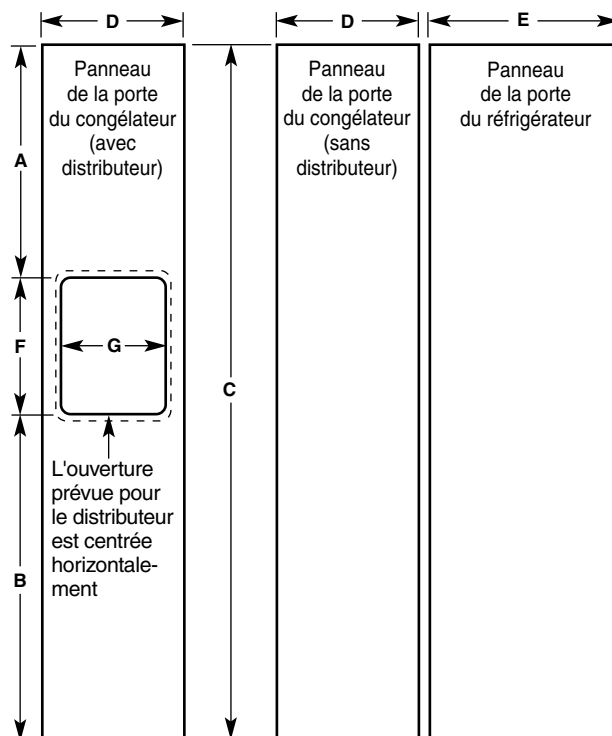


**REMARQUE :** Vous pouvez aussi utiliser deux panneaux, comme illustré ci-dessous : un panneau décoratif de  $\frac{3}{4}$ " (19,05 mm), usiné avec une découpe de  $\frac{1}{16}$ " (1,59 mm), et un autre panneau d'appui de  $\frac{1}{4}$ " (6,35 mm).



### Dimensions du panneau décoratif

**REMARQUE :** La ligne en pointillés représente l'emplacement du cadre du distributeur.



Dimension	Hauteur/largeur
<b>A</b>	19 $\frac{3}{8}$ " (49,2 cm)
<b>B</b>	31 $\frac{3}{4}$ " (80,6 cm)
<b>C</b>	68 $\frac{3}{16}$ " (173,2 cm)
<b>D</b>	15 $\frac{3}{8}$ " (39,1 cm)
<b>E</b>	20" (50,8 cm)
<b>F</b>	17 $\frac{1}{16}$ " (43,3 cm)
<b>G</b>	11 $\frac{15}{32}$ " (29,1 cm)

### Indications de charge maximale

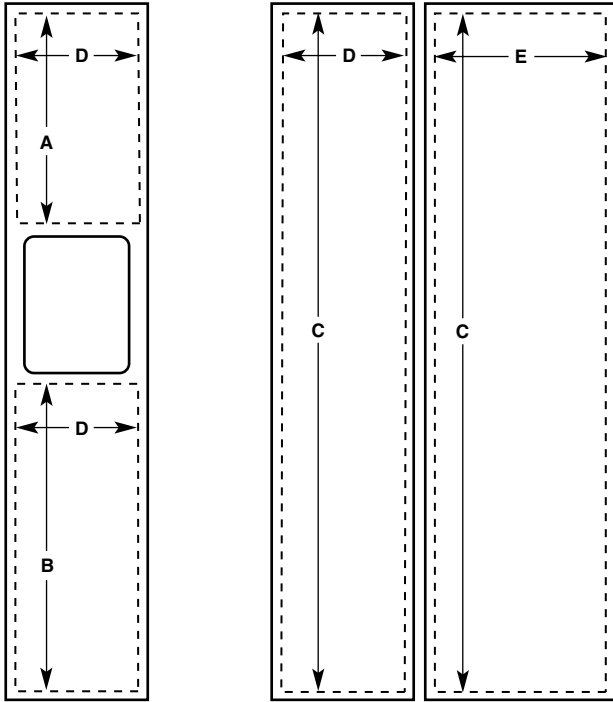
**IMPORTANT :** Les panneaux de poids supérieur au poids recommandé risquent d'endommager le réfrigérateur.

- Le poids du (des) panneau(x) décoratif(s) de la porte du congélateur ne peut dépasser 25 lb (11,3 kg).
- Le poids du (des) panneau(x) décoratif(s) de la porte du réfrigérateur ne peut dépasser 41 lb (18,6 kg).

Pour minimiser le poids du panneau, vous pouvez utiliser des tringles d'espacement de 2" (5,08 cm) sur le périmètre à la place de panneaux intercalaires massifs de pleine largeur. Les tringles d'espacement doivent être installées à au moins 1" (2,54 cm) des rives supérieure, inférieure et latérales du panneau d'appui. Si on utilise des tringles d'espacement, il est aussi recommandé d'utiliser deux tringles de 2" (5,08 cm) centrées horizontalement pour un soutien supplémentaire.

## Dimensions du panneau d'appui et du panneau intercalaire

**REMARQUE :** Les lignes en pointillé représentent l'emplacement du panneau d'appui et du panneau intercalaire sur les panneaux décoratifs. Le panneau d'appui et le panneau intercalaire doivent être centrés horizontalement et verticalement.

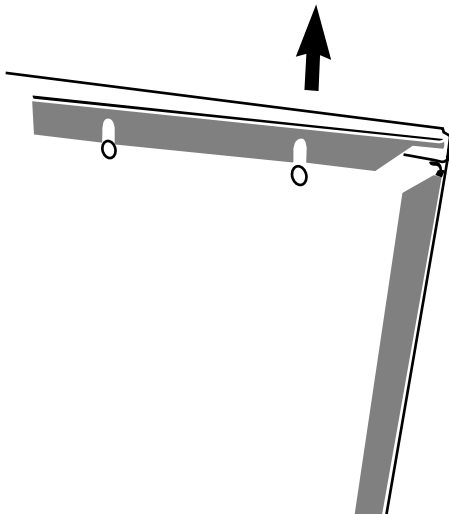


Dimension	Panneau d'appui	Panneau intercalaire
A	19" (48,3 cm)	18 <sup>9</sup> / <sub>16</sub> " (46,7 cm)
B	31 <sup>15</sup> / <sub>32</sub> " (79,9 cm)	30 <sup>3</sup> / <sub>4</sub> " (78,1 cm)
C	67 <sup>29</sup> / <sub>32</sub> " (172,5 cm)	66 <sup>9</sup> / <sub>16</sub> " (169,1 cm)
D	14 <sup>7</sup> / <sub>8</sub> " (37,8 cm)	14 <sup>1</sup> / <sub>4</sub> " (36,2 cm)
E	19 <sup>1</sup> / <sub>2</sub> " (49,6 cm)	18 <sup>7</sup> / <sub>8</sub> " (47,9 cm)

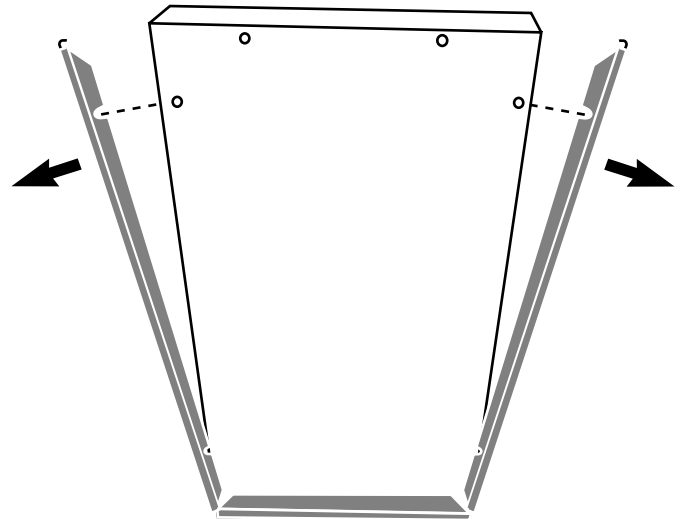
## Installation des panneaux de porte

**REMARQUE :** Dans les illustrations de cette section, les zones indiquées en gris foncé représentent les baguettes décoratives de porte et les zones en gris clair le panneau de porte.

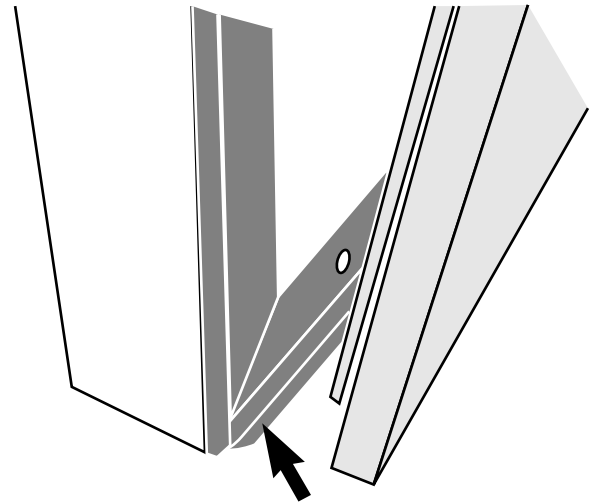
1. Retirer la baguette décorative supérieure du sommet de la porte du congélateur.



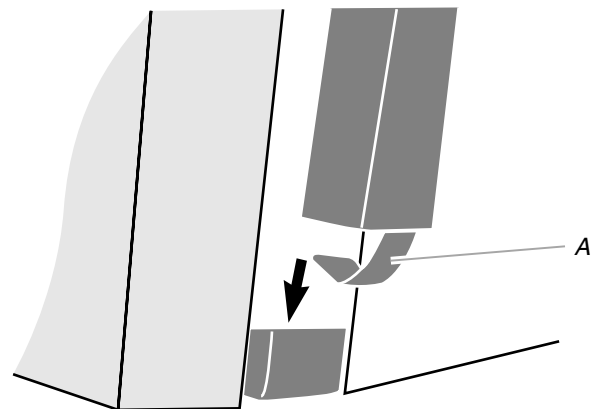
2. Retirer la baguette décorative latérale de chaque côté de la porte du congélateur.



3. Aligner la rive inférieure du panneau de porte avec la baguette décorative inférieure située au bas de la porte du congélateur. Centrer le panneau sur la porte du congélateur.

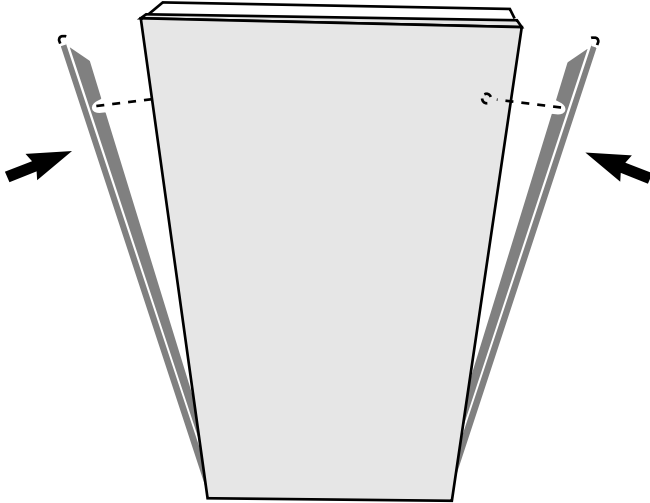


4. Réinstaller chaque garniture latérale en veillant à ce que la patte de retenue de la baguette décorative se trouve au coin interne de la baguette décorative inférieure.

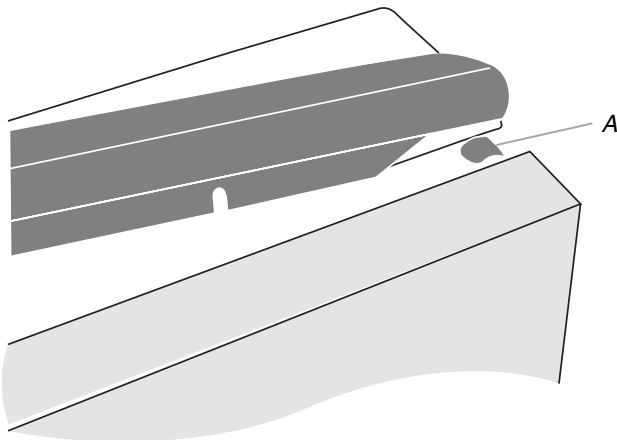


A. Patte de retenue

5. Tout en veillant à ce que les baguettes décoratives latérales soient bien installées dans la baguette décorative inférieure, insérer chaque baguette dans la rainure du panneau de porte.

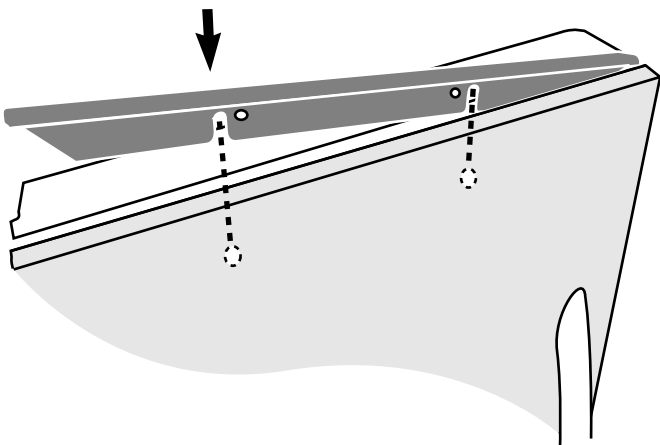


6. Aligner la baguette décorative supérieure avec les pattes de retenue situées au sommet de chaque baguette latérale.

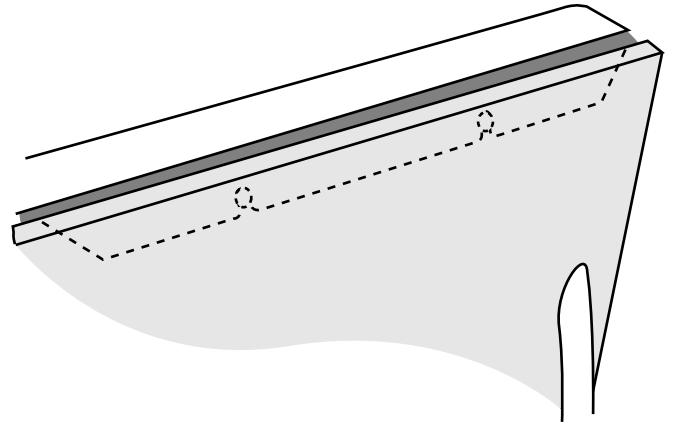


A. Patte de retenue

7. Faire glisser la baguette supérieure dans la rainure du panneau de porte en appuyant fermement. S'assurer que les rainures de la baguette décorative supérieure sont bien alignées avec les rivets du panneau de porte.



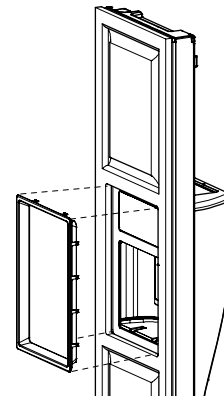
8. Une fois la baguette supérieure bien en place, la baguette supérieure doit être presque en affleurement avec le sommet de la porte du congélateur et recouvrir ainsi complètement les deux pattes de retenue des baguette latérales.



9. Répéter les étapes précédentes pour installer le panneau de la porte du réfrigérateur.

### Installation du cadre du distributeur (modèles avec distributeur uniquement)

Après avoir installé les panneaux de porte personnalisés, emboîter le cadre du distributeur sur la porte du congélateur, tel qu'illustré.



### Installation d'une nouvelle canalisation d'eau (si requise)

#### OUTILLAGE NÉCESSAIRE :

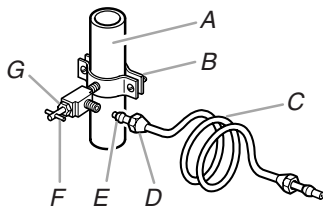
- Tournevis à lame plate
- Clés plates de 7/16" et 1/2" ou deux clés à molette
- Foret de 1/4"
- Perceuse sans fil

1. FERMER le robinet principal d'arrivée d'eau. OUVRIR le robinet de puisage le plus proche pendant une période suffisante pour que la canalisation d'eau se vide.
2. Trouver une canalisation d'eau froide verticale de 1/2" (12,70 mm) à 1 1/4" (3,18 cm) près du réfrigérateur.

**REMARQUE :** Un conduit horizontal fonctionnera, mais le procédé suivant doit être suivi :

- Percer par le dessus de la canalisation et non pas par le dessous. Ainsi, l'eau ne risquera pas d'arroser la perceuse. Ceci empêche également les sédiments qu'on trouve normalement dans l'eau de s'accumuler dans le robinet d'arrêt.

- Déterminer la longueur du tube de cuivre nécessaire. Mesurer la distance entre le point de connexion inférieur gauche à l'arrière du réfrigérateur et le tuyau d'arrivée d'eau. Ajouter 7 pi (2,1 m) pour permettre le nettoyage. Utiliser un tube en cuivre de 1/4" (6,35 mm) de diamètre extérieur. Veiller à ce que le tube soit coupé d'équerre aux deux extrémités.
- À l'aide d'une perceuse sans fil, percer un trou de 1/4" (6,35 mm) dans la canalisation d'eau froide choisie.



A. Canalisation d'eau froide  
B. Bride de tuyau  
C. Tube en cuivre  
D. Écrou de compression  
E. Bague de compression  
F. Robinet d'arrêt  
G. Écrou de serrage

- Fixer le robinet d'arrêt sur le tuyau d'alimentation en eau froide à l'aide d'une bride de tuyau. Vérifier que le raccord du robinet est bien engagé dans le trou de 1/4" (6,35 mm) percé dans la canalisation et que la rondelle d'étanchéité est placée sous la bride du tuyau. Serrer l'écrou de serrage. Serrer soigneusement et uniformément les vis fixant la bride de tuyau sur le tuyau afin que la rondelle forme un scellement étanche. Ne pas serrer excessivement car ceci pourrait provoquer l'écrasement du tube en cuivre, particulièrement s'il s'agit d'un tube en cuivre malléable (enroulé). On est maintenant prêt à connecter le tube en cuivre.
- Enfiler l'écrou et la bague de compression du raccord sur le tube en cuivre comme on le voit sur l'illustration. Insérer l'extrémité du tube aussi loin que possible dans l'ouverture de sortie du robinet d'arrêt. Visser l'écrou de compression sur le raccord de sortie avec une clé à molette. Ne pas serrer excessivement.
- Placer le bout libre du tube dans un contenant ou évier, OUVRIRE le robinet principal d'arrivée d'eau et laisser l'eau s'écouler par le tube jusqu'à ce que l'eau soit limpide. FERMER le robinet principal d'arrivée d'eau.

## Raccordement de la canalisation d'eau

Lire toutes les instructions avant de commencer.

### IMPORTANT :

- L'installation de la plomberie doit être conforme au Code International de plomberie et respecter les codes et règlements locaux de plomberie.
- Utiliser un tuyau en cuivre ou le tuyau d'alimentation Whirlpool, pièce numéro 8212547RP et vérifier s'il y a des fuites.
- Installer les tuyaux seulement là où les températures resteront au-dessus du point de congélation.

### OUTILLAGE NÉCESSAIRE :

Rassembler les outils et pièces nécessaires avant de commencer l'installation.

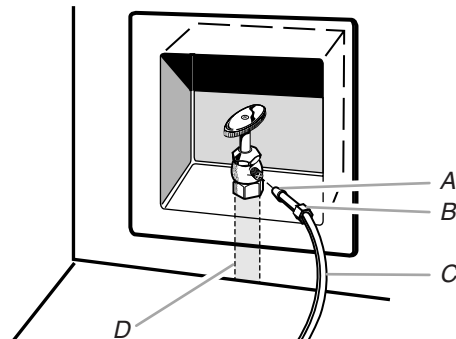
- Tournevis à lame plate
- Clés plates de 7/16" et de 1/2" ou deux clés à molette
- Tourne-écrou de 1/4"

## Raccordement à une canalisation d'eau

**IMPORTANT :** Si on doit mettre en marche le réfrigérateur avant qu'il soit raccordé à la canalisation d'eau, placer la commande de la machine à glaçons à la position OFF (arrêt).

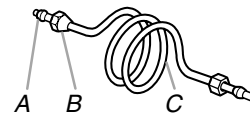
- Débrancher le réfrigérateur ou déconnecter la source de courant électrique.
- FERMER le robinet principal d'arrivée d'eau. OUVRIRE le robinet de puisage le plus proche pendant une période suffisante pour que la canalisation d'eau se vide.
- Utiliser un robinet d'arrêt quart de tour ou équivalent alimenté par une canalisation d'alimentation domestique en cuivre de 1/2".

**REMARQUE :** Pour que le réfrigérateur reçoive un débit d'eau suffisant, on recommande l'emploi d'une canalisation d'alimentation domestique en cuivre de 1/2" minimum.



A. Renflement  
B. Écrou  
C. Canalisation en cuivre (jusqu'au réfrigérateur)  
D. Canalisation d'alimentation du domicile (1/2" minimum)

- On est maintenant prêt à connecter le tuyau en cuivre au robinet d'arrêt. Utiliser un conduit de cuivre flexible de 1/4" (6,35 mm) de diamètre extérieur pour raccorder le robinet d'arrêt au réfrigérateur.
  - S'assurer d'avoir la longueur nécessaire pour le raccordement. Il faut s'assurer que les deux extrémités du tuyau en cuivre sont bien coupées à angle droit.
  - Installer le manchon et l'écrou à compression sur le tuyau en cuivre (voir l'illustration). Insérer l'extrémité du tuyau de sortie aussi profondément que possible dans l'extrémité de sortie et à l'équerre. Visser l'écrou à compression sur l'extrémité de la sortie à l'aide d'une clé à molette. Ne pas serrer à l'excès.



A. Manchon à compression  
B. Écrou de compression  
C. Tuyau en cuivre

- Placer l'extrémité libre du tuyau dans un contenant ou évier et rétablir l'alimentation principale en eau pour nettoyer le tuyau jusqu'à ce que l'eau en sorte claire. Fermer le robinet d'arrêt sur le tuyau d'alimentation en eau.

**REMARQUE :** Toujours vidanger le tuyau d'alimentation en eau avant de faire le raccordement final sur l'entrée du robinet pour empêcher tout mauvais fonctionnement éventuel du robinet.

- Courber le tuyau de cuivre de façon à faire un raccordement sur l'entrée du robinet qui se trouve à l'arrière du réfrigérateur (voir l'illustration). Laisser un serpentin de tube en cuivre pour permettre de sortir le réfrigérateur du placard ou du mur en cas d'intervention de service.

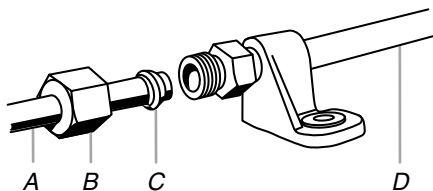


## Raccordement au réfrigérateur

### Style 1

1. Débrancher le réfrigérateur ou déconnecter la source de courant électrique.
2. Retirer et jeter la courte pièce en plastique noire au bout de l'orifice d'entrée de la canalisation d'eau.
3. Visser l'écrou dans le raccord à l'extrémité du tuyau. Serrer l'écrou manuellement. Ensuite le serrer deux tours de plus avec une clé. Ne pas serrer à l'excès.

**REMARQUE :** Pour éviter les vibrations, veiller à ce que les tuyaux en cuivre ne soient pas en contact avec les parois latérales de la caisse ou d'autres composants à l'intérieur de la caisse.

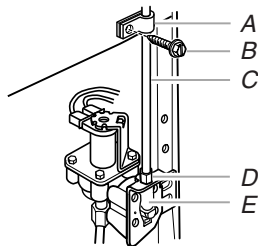


A. Canalisation jusqu'au réfrigérateur  
B. Écrou (acheté)  
C. Virole (achetée)  
D. Canalisation d'alimentation en eau (fournie) du réfrigérateur

4. Installer la bride du tuyau d'alimentation en eau autour de la canalisation d'alimentation en eau pour réduire la tension sur le raccord.
5. OUVRIR le robinet d'arrêt.
6. Vérifier s'il y a des fuites. Serrer tous les raccords (y compris les raccords du robinet) ou les écrous qui fuient.

### Style 2

1. Débrancher le réfrigérateur ou déconnecter la source de courant électrique.
2. Retirer et jeter la pièce en plastique fixée au point d'arrivée du robinet d'eau.
3. Connecter le tube en cuivre à la valve d'arrivée d'eau en utilisant un écrou et une bague de compression tel qu'illustré. Serrer l'écrou de compression. Ne pas serrer excessivement.
4. Utiliser la bride du tube à l'arrière du réfrigérateur pour fixer le tube au réfrigérateur tel qu'illustré. Ceci aide à éviter d'endommager le tube lorsque le réfrigérateur est poussé contre le mur.
5. OUVRIR le robinet d'arrêt.
6. Inspecter pour rechercher les fuites. Serrer tous les raccords (y compris les raccords au niveau de la valve d'entrée d'eau) ou les écrous qui coulent.



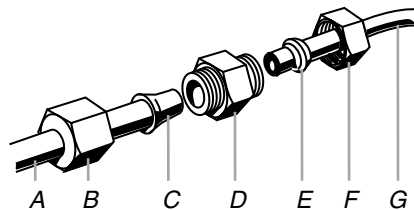
A. Bride du tube  
B. Vis de bride de tube  
C. Tube en cuivre  
D. Écrou de compression  
E. Valve d'entrée d'eau

7. Sur certains modèles, la machine à glaçons est équipée d'un filtre à eau incorporé. Si la qualité de l'eau distribuée localement nécessite un deuxième filtre à eau, installer ce dernier dans la canalisation d'eau de 1/4" (6,35 mm) au niveau de l'un des raccords du tuyau. On peut obtenir un tel filtre à eau chez le marchand d'appareils électroménagers le plus proche.

### Style 3

1. Débrancher le réfrigérateur ou déconnecter la source de courant électrique.
2. Retirer et jeter le bouchon en nylon noir du tuyau d'eau gris à l'arrière du réfrigérateur.
3. Si le tuyau gris fourni avec le réfrigérateur n'est pas assez long, un raccord de 1/4" x 1/4" (6,35 mm x 6,35 mm) est nécessaire afin de connecter la canalisation d'eau au conduit d'eau existant dans la maison. Visser l'écrou fourni sur le raccord à l'extrémité du tube de cuivre.

**REMARQUE :** Serrer l'écrou à la main. Ensuite, le serrer avec une clé deux tours de plus. Ne pas serrer excessivement.



A. Conduit vers le réfrigérateur  
B. Écrou (fourni)  
C. Renflement  
D. Raccord (à acheter)  
E. Virole (à acheter)  
F. Écrou (à acheter)  
G. Canalisation d'eau du domicile

4. OUVRIR le robinet d'arrêt.
5. Inspecter pour rechercher les fuites. Serrer tous les raccords (y compris les raccords de la valve d'entrée d'eau) ou les écrous qui coulent.

## Brancher le réfrigérateur

### ⚠ AVERTISSEMENT



#### Risque de choc électrique

**Brancher sur une prise à 3 alvéoles reliée à la terre.**

**Ne pas enlever la broche de liaison à la terre.**

**Ne pas utiliser un adaptateur.**

**Ne pas utiliser un câble de rallonge.**

**Le non-respect de ces instructions peut causer un décès, un incendie ou un choc électrique.**

1. Brancher sur une prise à 3 alvéoles reliée à la terre.

## Préparer le système d'eau

Veuillez lire avant d'utiliser le système d'eau.

Immédiatement après l'installation, suivre les étapes ci-dessous pour vous assurer que le système d'eau est bien nettoyé.

1. Ouvrir la porte du congélateur et arrêter la machine à glaçons. On ne peut accéder au commutateur marche/arrêt qu'une fois le bac d'entreposage à glaçons retiré. Le commutateur se trouve sur la porte du congélateur, du côté gauche de la paroi entourant le bac d'entreposage à glaçons. Tourner le commutateur au réglage OFF (à droite).
2. S'assurer que le filtre à eau est correctement installé.

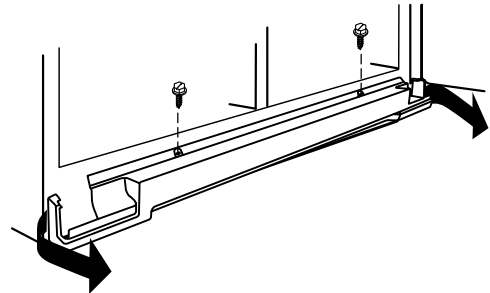
Ne pas utiliser pour le filtrage d'une eau microbiologiquement polluée ou de qualité inconnue en l'absence d'un dispositif de désinfection adéquat avant ou après le système. Les systèmes certifiés pour la réduction de kyste peuvent être utilisés pour l'eau désinfectée qui peut contenir des kystes filtrables.

3. Vidanger le circuit d'eau. Utiliser un récipient robuste pour appuyer sur le levier du distributeur d'eau pendant 5 secondes, puis relâcher le levier pendant 5 secondes. Répéter l'opération jusqu'à ce que l'eau commence à couler. Une fois que l'eau commence à couler, continuer d'appuyer puis de relâcher le levier du distributeur (appui pendant 5 secondes, relâchement pendant 5 secondes) jusqu'à ce qu'un total de 3 gal. (12 L) soit distribué. Ceci évacue l'air du filtre et du système de distribution d'eau et prépare le filtre à eau pour utilisation. Une vidange supplémentaire peut être nécessaire dans certains domiciles. Pendant l'évacuation de l'air du système, de l'eau peut gicler du distributeur.
4. Ouvrir la porte du congélateur et mettre la machine à glaçons en marche. Mettre le commutateur à la position ON (marche) (vers la gauche). Pour plus d'instructions sur le fonctionnement de votre machine à glaçons, consulter le Guide d'utilisation et d'entretien.
  - Attendre 24 heures pour obtenir la première quantité de glaçons.
  - Jeter les trois premières quantités de glaçons produites.
  - Selon le modèle que vous avez, vous devrez peut-être choisir la caractéristique de production maximale de glaçons pour augmenter la production de glaçons.

## Nivellement et fermeture de la porte

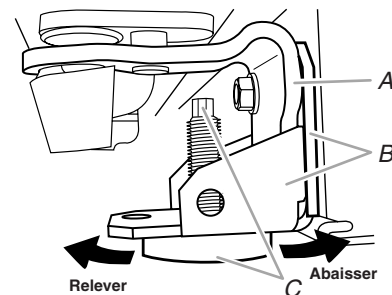
Le réfrigérateur comporte deux pieds avant réglables, l'un à droite et l'autre à gauche. Dans la plupart des cas, le réfrigérateur devrait être stable lorsque les deux pieds touchent le plancher. Si votre réfrigérateur semble instable ou si vous désirez que les portes se ferment plus facilement, ajuster l'inclinaison du réfrigérateur en observant les instructions ci-dessous :

1. Déplacer le réfrigérateur à sa position finale. Ouvrir les deux portes à 90°. Retirer la grille de la base en retirant les deux vis puis en tirant sur les angles extérieurs.



**REMARQUE :** Les portes ne doivent être ouvertes qu'à 90°. Si elles sont entièrement ouvertes, la grille de la base ne s'enlèvera pas.

2. Les deux pieds de nivellement sont situés sur les supports de chaque côté du produit.



A. Charnière inférieure  
B. Support de vérin  
C. Pied de nivellement

**REMARQUE :** Le fait d'exercer une pression contre le dessus du réfrigérateur permet d'alléger le poids appliqué aux vis de nivellement. Ceci facilite les réglages.

3. Utiliser une clé plate de 1/4" ou une clé à molette pour régler les pieds de nivellement. Tourner le pied de nivellement vers la gauche pour soulever ce côté du produit ou vers la droite pour abaisser ce côté.
4. Ouvrir à nouveau les deux portes et s'assurer qu'elles ferment tel que désiré. Si ce n'est pas le cas, incliner le réfrigérateur un peu plus vers l'arrière en tournant les pieds de nivellement vers la gauche. Plusieurs tours peuvent être nécessaires et il convient de tourner les deux pieds de nivellement de façon égale.

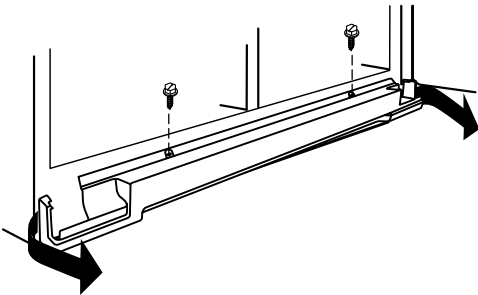
**REMARQUE :** Chaque fois que l'on déplace le réfrigérateur, tourner les pieds de nivellement vers la droite jusqu'à ce qu'ils ne soient plus en contact avec le sol. Ceci permet au réfrigérateur de rouler plus facilement.

## Alignement des portes

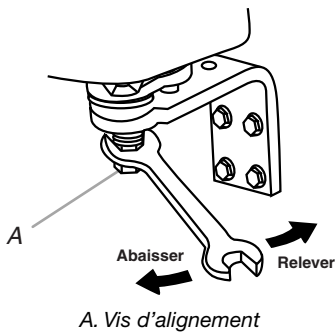
Lorsqu'un réfrigérateur n'est pas d'aplomb transversalement, on peut avoir l'impression que ses portes ne sont pas bien alignées. Si l'utilisateur a cette impression, utiliser les instructions de la section précédente pour contrôler l'aplomb.

Les portes sont conçues pour avoir des hauteurs légèrement différentes lorsque le réfrigérateur est vide, afin de prendre en compte le poids des aliments qui seront placés dans les portes. Si les portes ne sont toujours pas alignées après avoir contrôlé l'aplomb et rempli le réfrigérateur d'aliments, suivre les étapes ci-dessous pour régler l'alignement des portes.

1. Ouvrir les deux portes à 90° et retirer la grille de la base, si nécessaire.



2. Localiser la vis d'alignement sur la charnière inférieure de la porte du réfrigérateur.



3. Utiliser une clé plate de  $\frac{5}{16}$ " ou une clé à molette pour tourner la vis. Pour augmenter la hauteur de la porte du réfrigérateur, tourner la vis vers la droite. Pour diminuer la hauteur de la porte, tourner la vis vers la gauche.
4. Vérifier que les portes sont alignées au sommet. Si nécessaire, continuer à tourner la vis d'alignement jusqu'à ce que les portes soient alignées.
5. Ouvrir les deux portes à 90°. Réinstaller la grille de la base.

## Achever l'installation

1. Tourner le robinet de la canalisation d'eau à la position "Open" (ouvert).
2. Tourner le commutateur du réfrigérateur à la position ON (marche). Attendre quelques minutes. Vérifier les raccords de la canalisation d'eau pour voir s'il y a des fuites.
3. Régler les commandes des compartiments de réfrigération et de congélation au réglage moyen. S'assurer que le compresseur fonctionne bien et que toutes les lumières s'allument.
4. Purger le système d'eau avant l'utilisation. Voir "Préparer le système d'eau".

**REMARQUE :** Si la construction continue après l'installation du réfrigérateur, régler les commandes à OFF (arrêt).

### Si le réfrigérateur ne fonctionne pas

- Vérifier si le disjoncteur s'est déclenché ou si un fusible est grillé.
- Vérifier que le cordon d'alimentation est correctement branché sur une prise de courant à 3 alvéoles reliée à la terre.
- Voir la section "Dépannage" dans le Guide d'utilisation et d'entretien.

**W10168334A**

© 2011.  
All rights reserved.  
Todos los derechos reservados.  
Tous droits réservés.

2/11  
Printed in Mexico  
Impreso en México  
Imprimé au Mexique