

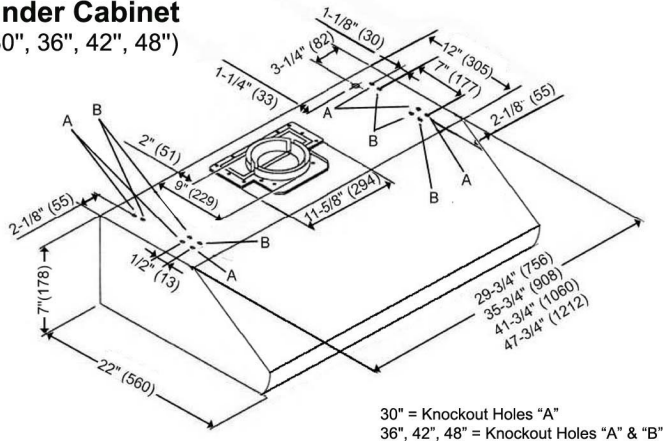
*So Quiet...  
You Won't Believe It's On!*

### CH-27 Series



<b>Appearance</b>	
<b>Stainless Steel</b>	•
<b>Seamless</b>	•
<b>Performance</b>	
<b>CFM</b>	380 to 800
<b>Sone / Decibel</b>	1.0 to 4.8 / 40dB to 63dB
<b>QuietMode™</b>	1.0 Sone / 40dB
<b>Features</b>	
<b>Halogen Light</b>	12V 20W x 2 (30" & 36") 12V 20W x 3 (42" & 48")
<b>Power Supply / Consumption</b>	120V 60Hz / 232W 2.21A (30" & 36") 120V 60Hz / 253W 2.38A (42") 120V 60Hz / 258W 2.41A (48")
<b>No. of Speed</b>	4 (Electronic Buttons)
<b>Fan Type</b>	Twin Vertical Turbine Impeller
<b>Ducting Options</b>	Top- 6" Round, 7" Round and 3-1/4" x 10" Rectangular Rear- 3-1/4" x 10" Rectangular
<b>Filter</b>	Baffle (30" - x 2) (36", 42" - x 3) (48" - x 4)
<b>Optional Accessories</b>	
<b>Duct Cover</b>	CH1120DC
<b>Stainless Steel Back Splash</b>	SSP30 (30" x 32"), SSP36 (36" x 32")

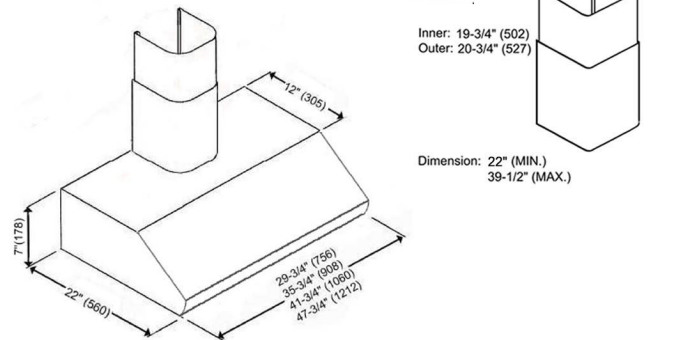
#### Under Cabinet (30", 36", 42", 48")



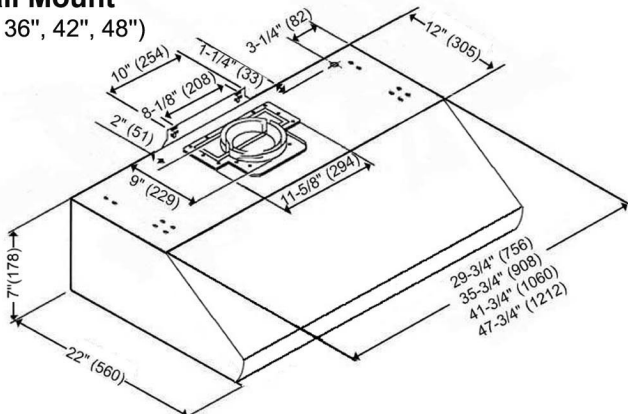
#### Wall Mount (with Duct Cover)

#### Optional Accessories

#### Duct Cover CH1120DC



#### Wall Mount (30", 36", 42", 48")



Information subject to change without notice.

\* Building code may vary.