

# INSTALLATION INSTRUCTIONS

INSTALLATION INSTRUCTIONS AND SERVICE MUST BE PERFORMED BY A QUALIFIED INSTALLER.

**IMPORTANT: SAVE THESE INSTRUCTIONS FOR LOCAL ELECTRICAL INSPECTOR'S USE. READ AND SAVE THESE INSTRUCTIONS FOR FUTURE REFERENCE.**

## BEFORE YOU BEGIN

Read these instructions completely and carefully.

### **NOTES TO INSTALLER:**

- Read all instructions contained in these installation instructions before installing the cooktop.
- Remove all packing material before connecting the electrical supply to the cooktop.
- Observe all governing codes and ordinances.
- Only certain cooktop models may be installed over certain built-in electric oven models.
- Be sure to leave these instructions with the consumer.

### **NOTE TO CONSUMER:**

Keep this User's Guide and Installation Instructions for future reference.

**NOTE: This appliance must be properly grounded.**

**Damage caused by failure to follow these instructions is not covered by the cooktop warranty.**

## UNPACKING THE COOKTOP

- 1 Unpack and visually inspect the cooktop for any damage or missing components.
- 2 Be sure the bottle of cleaner and conditioner packed in the literature bag is left where the user can find it easily. It is important that the ceramic-glass cooktop be pretreated before use. See *CARE AND CLEANING*.

# INSTALLATION INSTRUCTIONS

## TECHNICAL SPECIFICATIONS

### *LCE3081ST Radiant Cooktop*

#### **COOKTOP DIMENSIONS**

Width	30-27/32" (783 mm)
Depth	21-1/2" (546 mm)
Height	4" (101.6 mm)

#### **COOKING ZONES**

Position	Diameter	Power
Front Left	6" (152 mm)	1200 W
Front Right	9"/6" (229/152 mm)	3000/1400 W
Rear Left	8"/5" (203/127 mm)	1900/950 W
Rear Right	6" (152 mm)	100 W (Warm)
Center	7" (178 mm)	1500 W

#### **COUNTERTOP CUTOUT DIMENSIONS**

Width	29-3/8" (746 mm)
Depth	20-1/4" (515 mm)

#### **ELECTRICAL SPECIFICATIONS**

**Connection voltage:**  
240/208 VAC 60 Hz.  
32.1A/27.9 A

**Maximum connected power load:**  
7700 W/5800 W

### *LCE3681ST Radiant Cooktop*

#### **COOKTOP DIMENSIONS**

Width	36-11/16" (932 mm)
Depth	22" (559 mm)
Height	4" (101.6 mm)

#### **COOKING ZONES**

Position	Diameter	Power
Front Left	7" (178 mm)	1800 W (Bridge)
Front Right	9"/6" (229/152 mm)	3000/1400 W
Rear Left	7" (178 mm)	1800 W + 800 W (Bridge)
Rear Right	6" (152 mm)	100 W (Warm)
Center	12"/9"/6" (305/229/152 mm)	3000/2200/1100 W

#### **COUNTERTOP CUTOUT DIMENSIONS**

Width	34-9/16" (878 mm)
Depth	20-3/8" (517 mm)

#### **ELECTRICAL SPECIFICATIONS**

**Connection voltage:**  
240/208 VAC 60 Hz.  
43.8A/38.0 A

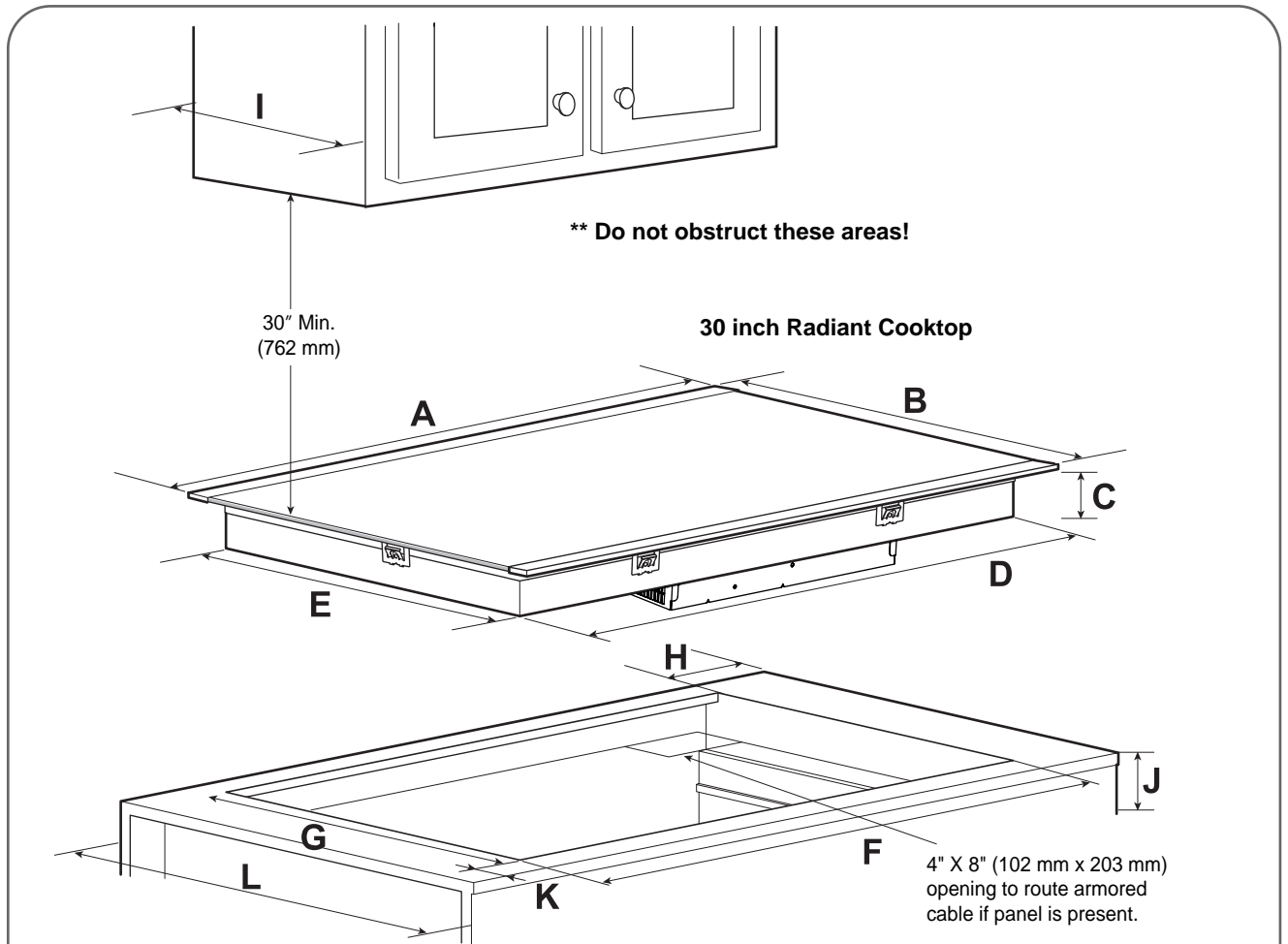
**Maximum connected power load:**  
10500 W/7900 W

# INSTALLATION INSTRUCTIONS

## PREPARING THE INSTALLATION LOCATION

### IMPORTANT INSTALLATION INFORMATION

- All electric cooktops run off a single phase, three-wire or four-wire cable, 240/208 volt, 60 hertz, AC-only electrical supply with ground.
- Minimum distance between cooktop and overhead cabinetry is 30" (762 mm).
- Make sure the cabinets and wall coverings around the cooktop can withstand the temperatures (up to 93°C [200°F]) generated by the cooktop.



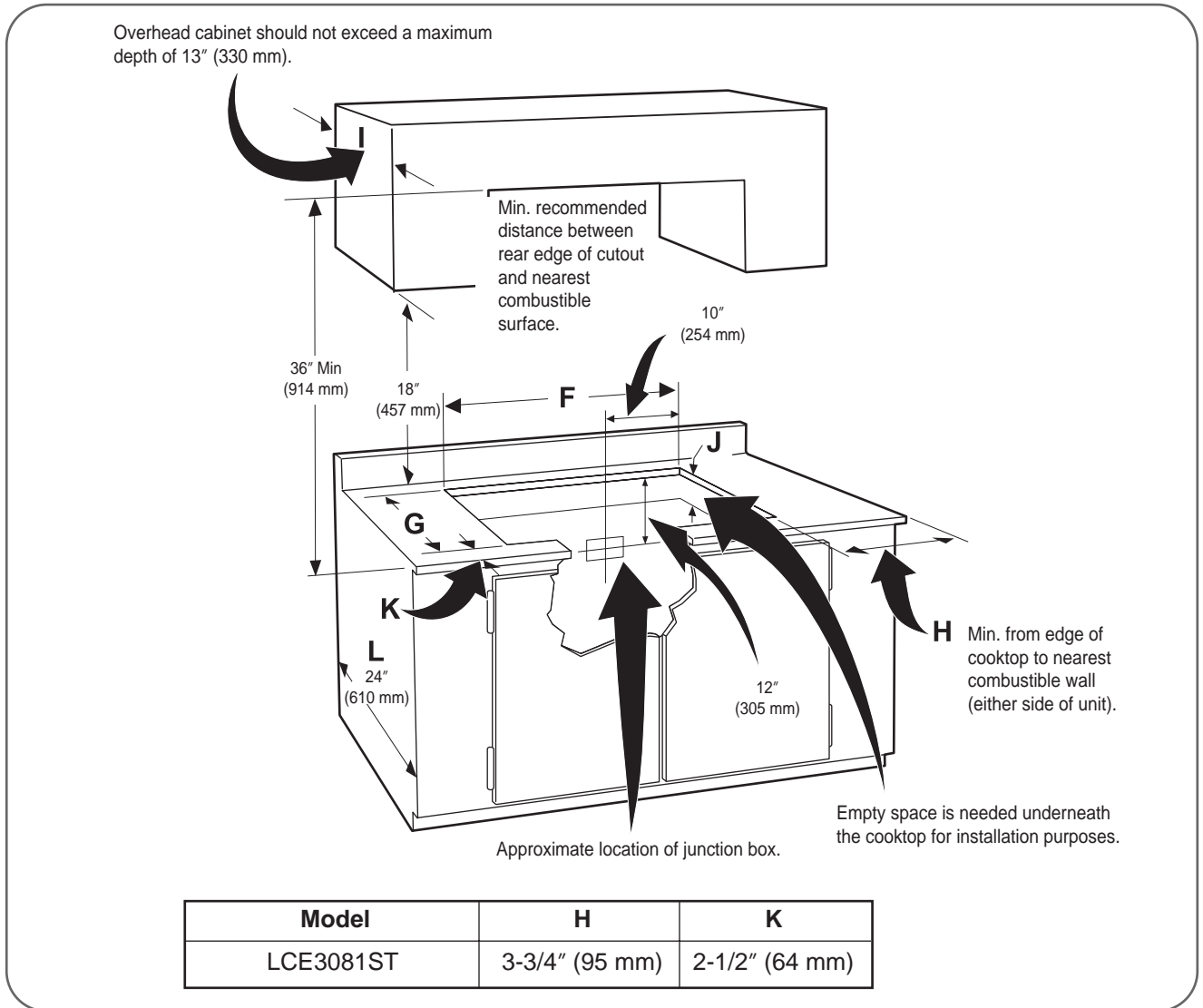
### LCE3081ST Radiant Cooktop

Unit	A	B	C	D	E	F	G	H	I	J	K	L
						Min	Min		Max	Min		
Inch	30-27/32	21-1/2	3-3/4	28-13/16	19-5/8	29-3/8	20-1/4	13/16	13	5-23/32	2-1/2	24
mm	783	546	95	732	498	746	515	20	330	145	64	610

All dimensions are stated in inches and millimeters (mm).  
 Allow 2" (50 mm) space below the armored cable opening to clear the electric cable and allow space for installation of the junction box on the wall at the back of the cooktop.

# INSTALLATION INSTRUCTIONS

## DIMENSIONS AND CLEARANCES



### ⚠ CAUTION

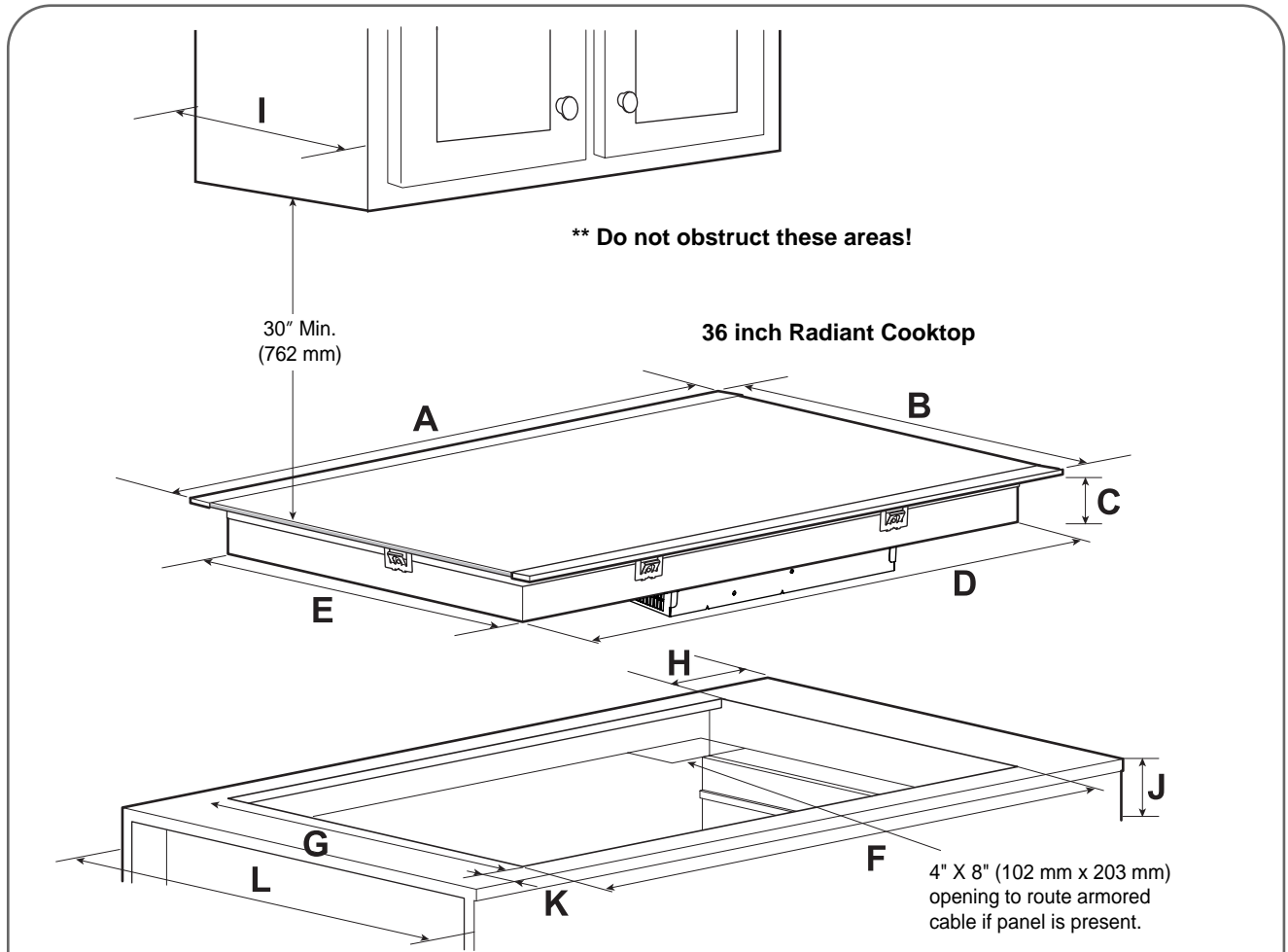
To eliminate the risk of burns or fire by reaching over heated surfaces, cabinet storage space located above the cooktop should be avoided. If cabinet storage is provided, risk can be reduced by installing a range hood that projects horizontally a minimum of 5" (127 mm) beyond the face of the cabinets.

# INSTALLATION INSTRUCTIONS

## PREPARING THE INSTALLATION LOCATION

### IMPORTANT INSTALLATION INFORMATION

- All electric cooktops run off a single phase, three-wire or four-wire cable, 240/208 volt, 60 hertz, AC-only electrical supply with ground.
- Minimum distance between cooktop and overhead cabinetry is 30" (762 mm).
- Make sure the cabinets and wall coverings around the cooktop can withstand the temperatures (up to 93°C [200°F]) generated by the cooktop.



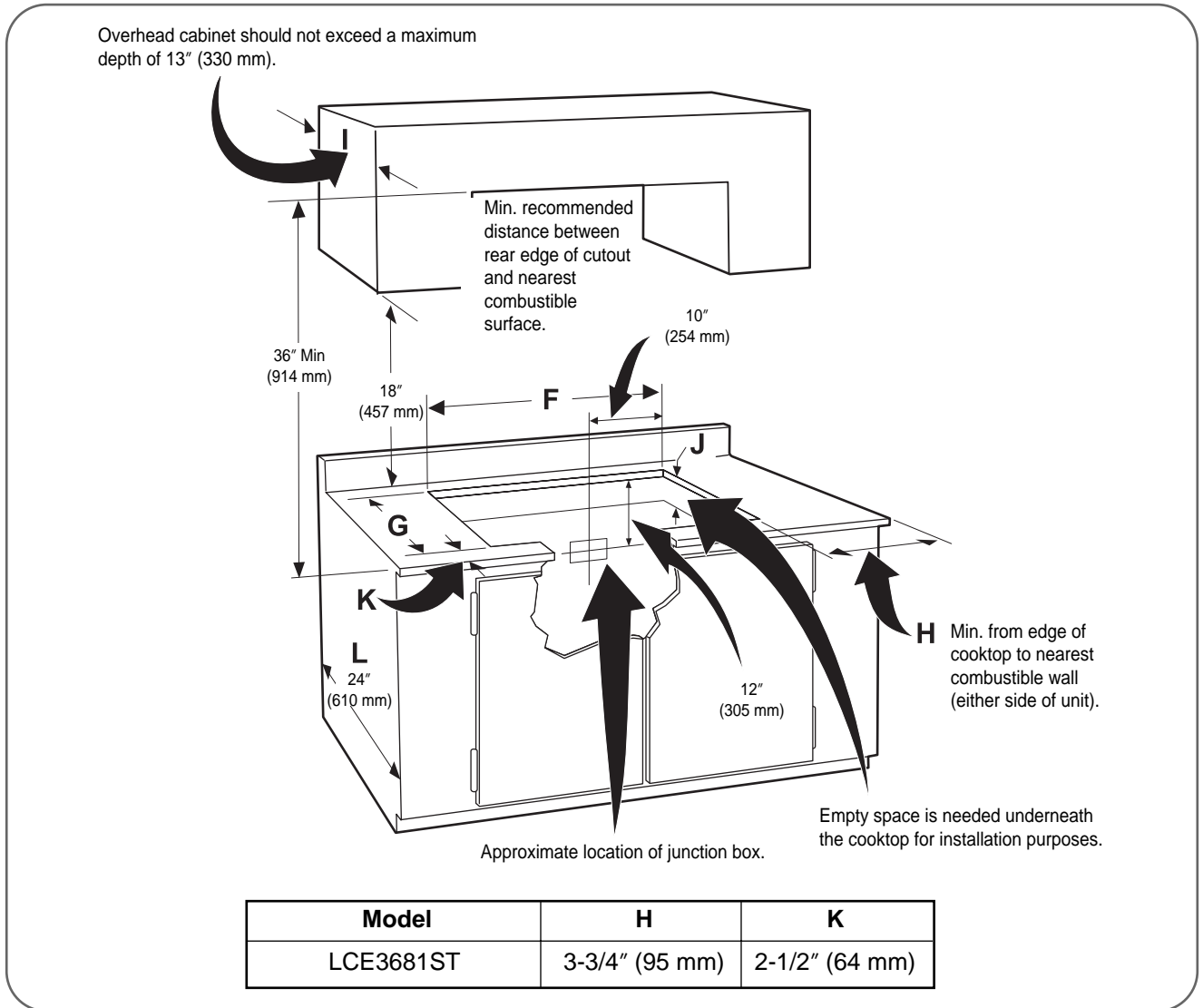
### LCE3681ST Radiant Cooktop

Unit	A	B	C	D	E	F	G	H	I	J	K	L
						Min	Min		Max	Min		
Inch	36-11/16	22	3-3/4	33-27/32	19-25/32	34-9/16	20-3/8	13/16	13	5-23/32	2-1/2	24
mm	932	559	95	860	502	878	517	20	330	145	64	610

All dimensions are stated in inches and millimeters (mm).  
 Allow 2" (50 mm) space below the armored cable opening to clear the electric cable and allow space for installation of the junction box on the wall at the back of the cooktop.

# INSTALLATION INSTRUCTIONS

## DIMENSIONS AND CLEARANCES



### **⚠ CAUTION**

To eliminate the risk of burns or fire by reaching over heated surfaces, cabinet storage space located above the cooktop should be avoided. If cabinet storage is provided, risk can be reduced by installing a range hood that projects horizontally a minimum of 5" (127 mm) beyond the face of the cabinets.

# INSTALLATION INSTRUCTIONS

## ELECTRICAL CONNECTIONS

### IMPORTANT SAFETY INSTRUCTIONS

- Be sure your cooktop is installed and grounded properly by a qualified installer or service technician.
- This cooktop must be electrically grounded in accordance with local codes or, in their absence, with the National Electrical Code ANSI/NFPA No. 70, latest edition in the United States.

### WARNING

The electrical power to the cooktop must be shut off while line connections are being made. Failure to do so could result in serious injury or death.

### PROVIDING THE ELECTRICAL CONNECTION

Install the junction box under the cabinet and run 120/240 or 120/208 volt, AC wire from the main circuit panel.

**NOTE:** DO NOT connect the wire to the circuit panel at this time.

### ELECTRICAL REQUIREMENTS

Observe all governing codes and local ordinances.

- 1 A 3-wire or 4-wire single-phase 120/240 or 120/208 volt, 60 Hz AC-only electrical supply is required on a separate circuit fused on both sides of the line (time-delay fuse or circuit breaker is recommended). DO NOT fuse neutral. The fuse size must not exceed the circuit rating of the appliance specified on the nameplate.
- 2 36" Radiant cooktop can consume up to 10,500W at 240 VAC. A 50 Amp circuit breaker with wire guage #8 AWG must be used. 30" Radiant cooktop can consume up to 7700W at 240 VAC. A 40 Amp circuit breaker with wire guage #8 AWG must be used.  
**NOTE:** Wire sizes and connections must conform with the fuse size and rating of the appliance in accordance with the National Electrical Code ANSI/NFPA No. 70, latest edition, and local codes and ordinances.
- 3 The appliance should be connected to the fused disconnect (or circuit breaker) box through flexible armored or nonmetallic sheathed cable. The flexible armored cable extending from this appliance should be connected directly to the grounded junction box. The junction box should be located as shown on page 21 or 23 with as much slack as possible remaining in the cable between the box and the appliance, so it can be moved if servicing is ever necessary.
- 4 A suitable strain relief must be provided to attach the flexible armored cable to the junction box.

### WARNING

An extension cord must not be used with this appliance. Such use may result in a fire, electrical shock, or other personal injury.

# INSTALLATION INSTRUCTIONS

## ELECTRICAL CONNECTIONS (cont.)

### ELECTRICAL CONNECTION

Connect the flexible armored cable that extends from the surface unit to the junction box using a suitable strain relief at the point the armored cable enters the junction box. Then make the electrical connection as follows.

#### Electrical ground is required on this appliance.

This appliance is manufactured with a supply wire and a frame connected green or bare copper grounding wire.

#### NOTE TO ELECTRICIAN:

The armored cable leads supplied with the appliance are UL-listed for connection to larger gauge household wiring. The insulation of the leads is rated at temperatures much higher than the temperature rating of household wiring. The current-carrying capacity of the conductor wire is governed by the temperature rating of the insulation around the wire, rather than the wire gauge alone.

### ⚠ WARNING

**DO NOT ground to a gas supply pipe. DO NOT connect to electrical power supply until appliance is permanently grounded. Connect the ground wire before turning on the power.**

### ⚠ WARNING

**This appliance is equipped with a copper conductor flexible cable. If connection is made to aluminum house wiring, use only special connectors which are approved for joining copper and aluminum wires in accordance with the National Electrical Code and local codes and ordinances. Improper connection of aluminum house wiring to copper leads can result in a short circuit or fire. Follow the connector manufacturer's recommended procedure closely.**

### WHERE LOCAL CODES PERMIT CONNECTING THE APPLIANCE-GROUNDING CONDUCTOR TO THE NEUTRAL (WHITE) WIRE

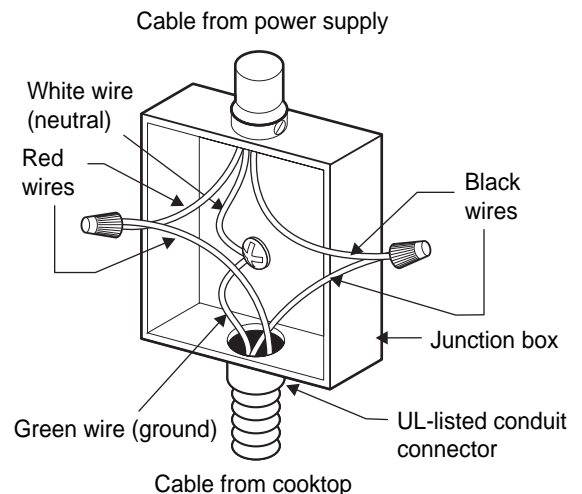
Observe all governing codes and local ordinances.

- 1 Disconnect the power supply.
- 2 At the circuit breaker box, fuse box or junction box, connect appliance and power supply cable wires as shown.

### ⚠ WARNING

**You may not ground the cooktop through the neutral (white) wire if cooktop is used in a new branch circuit installation (1996 NEC), mobile home, recreational vehicle, or where local codes do not permit grounding to the neutral (white) wire. When grounding to the neutral (white) wire is prohibited, you must use a 4-wire power supply cable. Failure to heed this warning may result in electrocution or other serious personal injury.**

### 3-WIRE GROUNDED JUNCTION BOX





# INSTALLATION INSTRUCTIONS

## ELECTRICAL CONNECTIONS (cont.)

**IF COOKTOP IS USED IN A NEW BRANCH CIRCUIT INSTALLATION (1996 NEC), MOBILE HOME, RECREATIONAL VEHICLE, OR WHERE LOCAL CODES DO NOT PERMIT GROUNDING TO THE NEUTRAL (WHITE) WIRE**

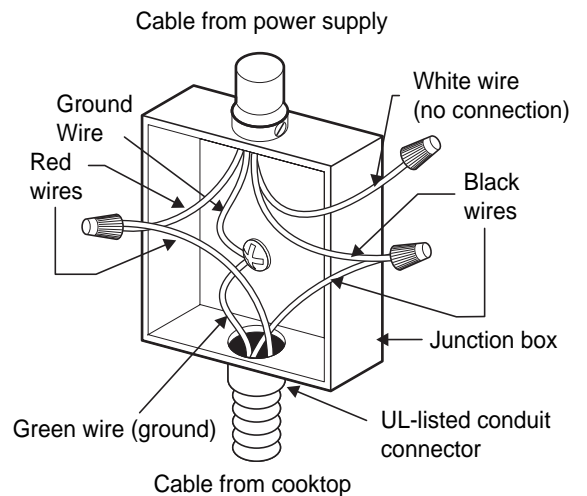
Observe all governing codes and local ordinances.

- 1 Disconnect the power supply.
- 2 At the circuit breaker box, fuse box or junction box, connect appliance and power supply cable wires as shown.

### **⚠ WARNING**

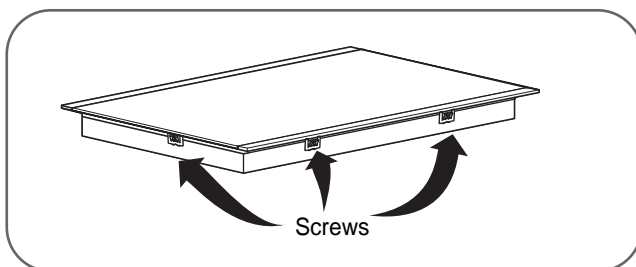
If connecting to a 4-wire power supply cable electrical system, the appliance frame connected ground wire **MUST NOT** be connected to the neutral wire of the 4-wire electrical system.

### 4-WIRE GROUNDED JUNCTION BOX

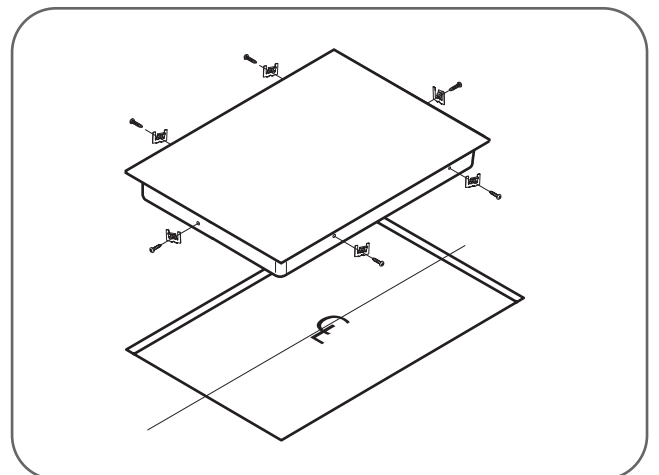


## COOKTOP INSTALLATION

- 1 Visually inspect the cooktop for damage. Make sure all cooktop screws are tight (see below for locations).



- 2 Carefully lower the cooktop into the counter-top cutout, making sure not to trap any wires. **NOTE:** Do not use caulking compound. The cooktop must be removable, should service be required.



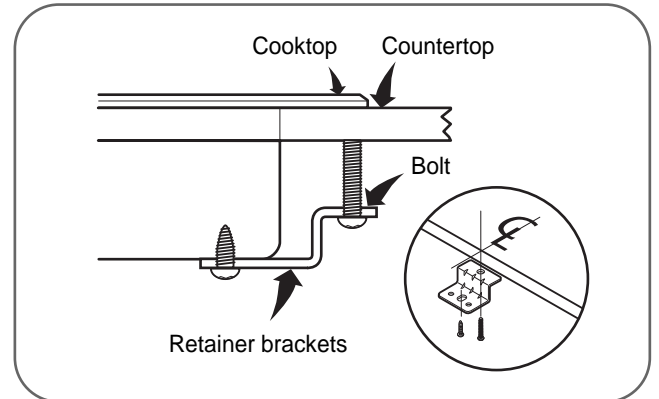
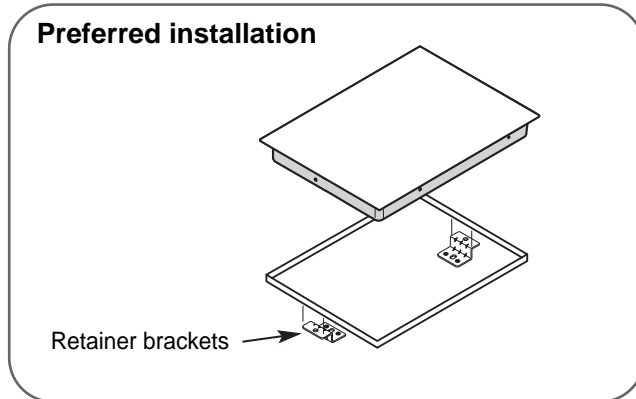
# INSTALLATION INSTRUCTIONS

## COOKTOP INSTALLATION (cont.)

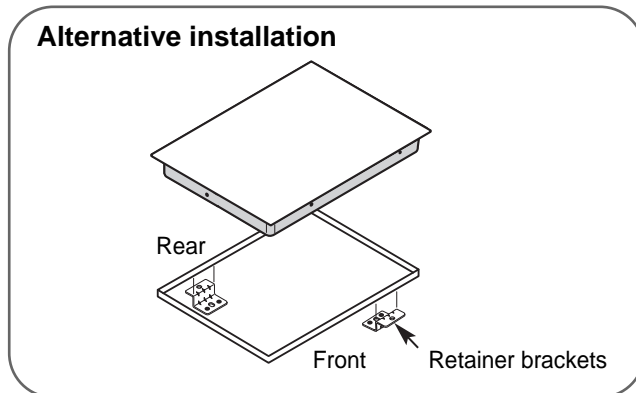
- 3 Install the retainer brackets to the bottom of the cooktop; then snug the bolts against the bottom of the countertop as shown.

**NOTE:** The retainer brackets **MUST** be installed to meet local codes or, in their absence, with the National Electrical Code ANSI/NFPA No. 70, latest edition.

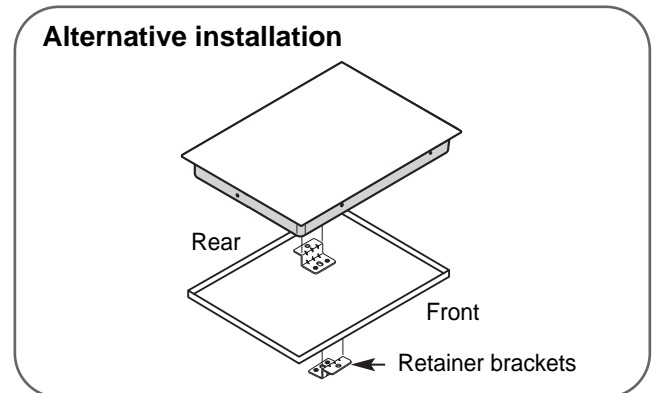
### LCE3081ST / LCE3681ST Radiant Cooktop



### LCE3081ST Radiant Cooktop



### LCE3681ST Radiant Cooktop



## FINAL CHECK

Perform a final operational check of the cooktop, making sure the cooktop powers on properly and that each Cooking Zone operates correctly. Refer to the Operating Instructions in this guide for details.

### MODEL AND SERIAL NUMBER LOCATION

The model and serial numbers are located on a plate on the bottom of the cooktop. Please record them in this guide; you will need them for warranty registration.

## CAUTION

Do not touch cooktop glass or Cooking Zones. They may be hot enough to cause burns.