

# LSRM2010ST MK2030F

Counter-Top Microwave Oven  
& Trim Kit (Optional)



## Built-In Style & Great Features

### COOKING PERFORMANCE

- 2.0 cu. ft. Oven Capacity
- 1200 Watts
- TrueCookPlus™
- Sensor Cook
- Power Levels
- 6 Auto Cook Options

### STYLE AND DESIGN

- Premium Stainless Steel Finish
- 12 Digit Scroll VFD

### CONVENIENCE

- EasyClean™ Interior
- Space Saving Counter-top Microwave with Optional Trim Kit



● Stainless Steel (ST)

## LSRM2010ST MK2030F



### Counter-Top MWO & Trim Kit

#### TrueCookPlus™

TrueCookPlus™ is patented technology that does all the calculations for you to help ensure the food cooks outstandingly everytime. True Cook numbers can be found on leading food distributor's packaging.

#### Sensor Cooking

Sensor cooking technology senses humidity levels within the oven and automatically adjusts cooking time and performance to provide superior heating performance.

#### EasyClean™ Interior

With the new EasyClean™ interior, you can have quick and high performance cleaning inside and out without using chemicals.

#### Style and Design

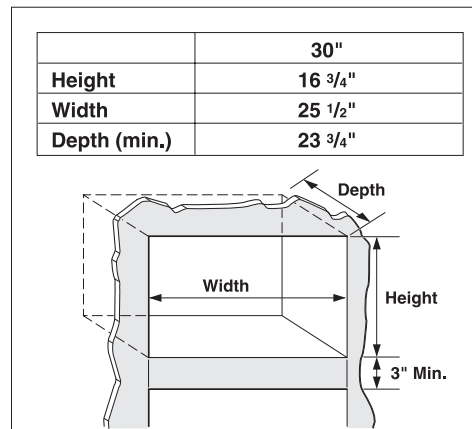
This unit's beautiful stainless finish complements any kitchen décor, and an optional trim-kit is available for a premium built-in look.



Shown with single wall oven

<b>CAPACITY</b>	
Oven Capacity	2.0 cu. ft.
<b>FEATURES</b>	
Watts Microwave	1200
Control Type	12 Digit Scroll VFD
Interior Cavity	EasyClean™ Coating, Round
Sensor	Humidity Sensor
<b>COOKING FEATURES</b>	
TCP Code Cooking	•
Sensor Cook Options	7
Power Levels	•
Auto Defrost	•
Quick Defrost	•
Custom Settings	•
Auto Cook Options	6
Melt/Soften	•
EZ On	•
More/Less	•
<b>CONVENIENCE FEATURES</b>	
Turntable Diameter	16"
EasyClean™ Coating	•
Clock/Timer	•
Completion Beeper	•
ADA Compliant	•
<b>SAFETY FEATURES</b>	
Child Lock	•
<b>MATERIALS/FINISHES</b>	
Available Colors	Stainless Steel (ST)
<b>DIMENSIONS</b>	
Cavity (WxHxD)	16 11/16" x 11 1/4" x 18 1/16"
Exterior (WxHxD)	23 7/8" x 13 9/16" x 19 13/16"
Shipping (WxHxD)	27 3/4" x 15 2/5" x 21 1/4"
Trim Kit (WxHxD)	29 13/16" x 19 3/16" x 13/16"
Net Weight	39.6 lbs.
<b>ACCESSORIES</b>	
MK2030F (30" Trim Kit)	Optional
<b>WARRANTY</b>	
	2 Years
<b>UPC CODES</b>	
LSRM2010ST Microwave	048231317399
MK2030F Trim Kit	048231316682

#### MK2030F Trim Kit Cut-Out Dimensions



[www.LG.com](http://www.LG.com)

LG Electronics U.S.A., Inc.

1000 Sylvan Avenue Englewood Cliffs, NJ 07632  
Customer Service and Technical Support: (800) 243-0000

Dimensions and weights are approximate. Design, features and specifications subject to change without notice.

©2015 LG Electronics USA, Inc. All rights reserved. "LG Life's Good" is a registered trademark of LG Corp. All other product and brand names are trademarks or registered trademarks of their respective companies. 06/15